

Installation Instructions

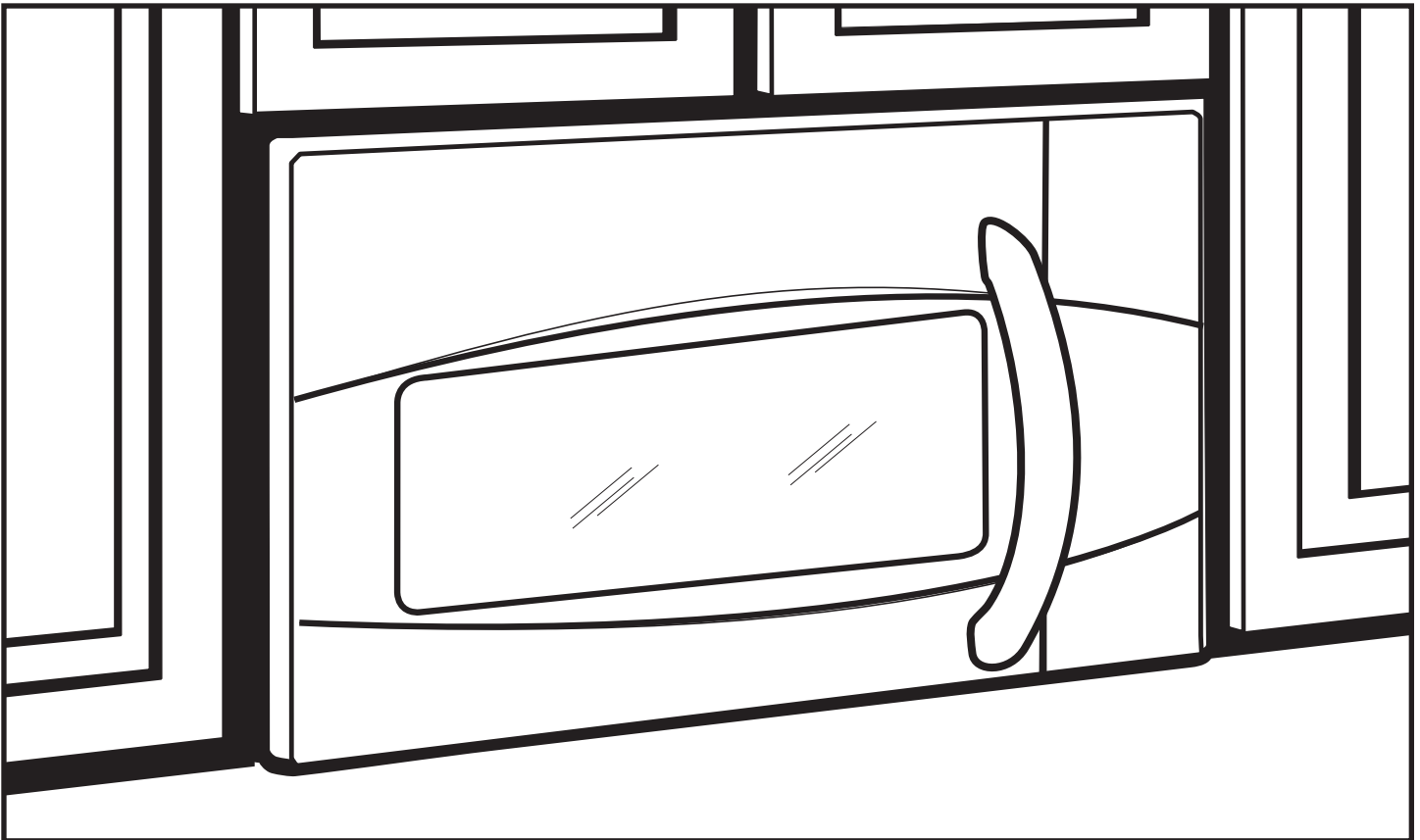
Above the Cooktop Oven PVM9195 and PVM9215

Questions? Call 1-800-561-3344 or Visit our Website at: GEAppliances.ca

BEFORE YOU BEGIN

Read these instructions completely and carefully.

- **IMPORTANT** – Save these instructions for local inspector's use.
- **IMPORTANT** – Observe all governing codes and ordinances.
- **Note to Installer** – Be sure to leave these instructions with the Consumer.
- **Note to Consumer** – Keep these instructions for future reference.
- **Skill level** – Installation of this appliance requires basic mechanical and electrical skills.
- Proper installation is the responsibility of the installer.
- Product failure due to improper installation is not covered under the Warranty.



LA SECTION FRANÇAISE
COMMENCE À LA PAGE 25.

READ CAREFULLY.
KEEP THESE INSTRUCTIONS.

350A4502P759
49-40732 (07-14)

Installation Instructions

CONTENTS

General information

Important Safety Instructions.....	3
Electrical Requirements	3
Hood Exhaust	4, 5
Damage – Shipment/Installation	6
Parts Included	6
Tools You Will Need	7
Mounting Space	7

Step-by-step installation guide

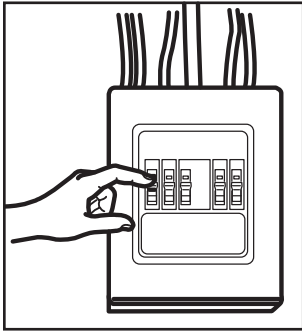
Placement of Mounting Plate	8–10
Removing the Mounting Plate.....	8
Finding the Wall Studs.....	8
Determining Wall Plate Location	9
Aligning the Wall Plate	10
Installation Types	11–22
A Outside Top Exhaust.....	12–14
Attach Mounting Plate to Wall	12
Preparation of Top Cabinet.....	13
Assemble and Install Adaptor	13
Mount the Oven.....	13, 14
Adjust the Exhaust Adaptor	14
Connecting Ductwork.....	14
B Outside Back Exhaust.....	15–18
Preparing Rear Wall for Outside Back Exhaust.....	15
Attach Mounting Plate to Wall	15, 16
Preparation of Top Cabinet.....	16
Adapting Blower for Outside Back Exhaust.....	16, 17
Mount the Oven.....	18

C Recirculating.....	19–22
Attach Mounting Plate to Wall	19
Preparation of Top Cabinet.....	19
Adapting Blower for Recirculation	20, 21
Mount the Oven.....	21, 22
Installing the Charcoal Filter.....	22
Before You Use Your Oven	23

Installation Instructions

IMPORTANT SAFETY INSTRUCTIONS

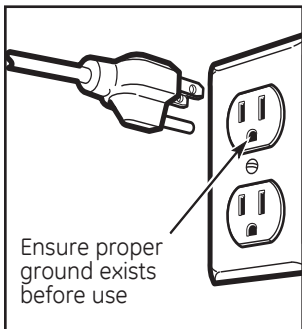
A qualified electrician must perform a ground continuity check on the wall receptacle before beginning the installation to ensure that the outlet box is properly grounded. If not properly grounded, or if the wall receptacle does not meet electrical requirements noted (under ELECTRICAL REQUIREMENTS), a qualified electrician should be employed to correct any deficiencies.



⚠WARNING:
Risk of Electric Shock.
Can cause injury or death:
Remove house fuse or
open circuit breaker before
beginning installation to avoid
severe or fatal shock injury.

⚠WARNING: Risk of Electric Shock.
Can cause injury or death: THIS APPLIANCE MUST BE
PROPERLY GROUNDED to avoid severe or fatal shock.

120 V Models



The power cord of this
appliance is equipped with
a three-prong (grounding)
plug which mates with
a standard three-prong
(grounding) wall receptacle
to minimize the possibility
of electric shock hazard
from this appliance.

Ensure proper
ground exists
before use

Where a standard two-prong wall receptacle is encountered, it must be replaced with a properly grounded three-prong wall receptacle, installed by a qualified electrician.

⚠WARNING: Risk of Electric Shock.
Can cause injury or death: DO NOT, under any
circumstances, cut, deform or remove any of the prongs
from the power cord. Do not use with an extension cord.
Failure to comply may cause fire.

⚠CAUTION: For personal safety, the
mounting surface must be capable of supporting the
cabinet load, in addition to the added weight of this
63–85 pound product, plus additional oven loads of up
to 50 pounds or a total weight of 113–135 pounds.

⚠CAUTION: For personal safety, this product
cannot be installed in cabinet arrangements such as an
island or a peninsula. It must be mounted to BOTH a top
cabinet AND a wall.

⚠CAUTION: To avoid the risk of personal
injury (back injury or other injuries due to excessive
weight of the microwave) or property damage, you will
need two people to install this microwave.

ELECTRICAL REQUIREMENTS

120 V Models

This product requires a three-prong grounded outlet. Product rating is 120 volts AC, 60 Hertz, 13.5 amps, and 1.50 kilowatts. This product must be connected to a supply circuit of the proper voltage and frequency. Wire size must conform to the requirements of the National Electrical Code or the prevailing local code for this kilowatt rating. The power supply cord and plug should be brought to a separate 15 to 20 ampere branch circuit single grounded outlet. The outlet box should be located in the cabinet above the oven and away from any potential microwave ducting. The outlet box and supply circuit should be installed by a qualified electrician and conform to the National Electrical Code or the prevailing local code.


Installation Instructions

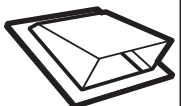


HOOD EXHAUST

NOTE: Read these next two pages only if you plan to vent your exhaust to the outside. If you plan to recirculate the air back into the room, proceed to page 6.

OUTSIDE TOP EXHAUST (EXAMPLE ONLY)

The following chart describes an example of one possible ductwork installation.







DUCT PIECES		EQUIVALENT LENGTH	x	NUMBER USED	=	EQUIVALENT LENGTH
	Roof Cap	24 Ft.	x	(1)	=	24 Ft.
	12 Ft. Straight Duct (6" Round)	12 Ft.	x	(1)	=	12 Ft.
	Rectangular-to-Round Transition Adaptor*	5 Ft.	x	(1)	=	5 Ft.
Equivalent lengths of duct pieces are based on actual tests and reflect requirements for good venting performance with any vent hood. Total Length =						41 Ft.

*IMPORTANT: If a rectangular-to-round transition adaptor is used, the bottom corners of the damper will have to be cut to fit, using the tin snips, in order to allow free movement of the damper.

OUTSIDE BACK EXHAUST (EXAMPLE ONLY)

The following chart describes an example of one possible ductwork installation.



DUCT PIECES		EQUIVALENT LENGTH*	x	NUMBER USED	=	EQUIVALENT LENGTH
	Wall Cap	40 Ft.	x	(1)	=	40 Ft.
	3 Ft. Straight Duct (3 3/4" x 10" Rectangular)	3 Ft.	x	(1)	=	3 Ft.
	90° Elbow	10 Ft.	x	(2)	=	20 Ft.
Equivalent lengths of duct pieces are based on actual tests and reflect requirements for good venting performance with any vent hood. Total Length =						63 Ft.

NOTE: For back exhaust, care should be taken to align exhaust with space between studs, or wall should be prepared at the time it is constructed by leaving enough space between the wall studs to accommodate exhaust.

1" = 2.5 cm; 1' = 0.3 m

Installation Instructions

NOTE: If you need to install ducts, note that the total duct length of 3¼" x 10" rectangular or 6" diameter round duct **should not exceed 140 equivalent feet.**

Outside ventilation requires a HOOD EXHAUST DUCT. Read the following carefully.

NOTE: It is important that venting be installed using the most direct route and with as few elbows as possible. This ensures clear venting of exhaust and helps prevent blockages. **Also, make sure dampers swing freely and nothing is blocking the ducts.**

Exhaust connection:





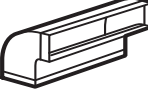
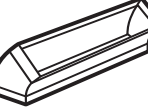


The hood exhaust has been designed to mate with a standard 3¼" x 10" rectangular duct.

If a round duct is required, a rectangular-to-round transition adaptor must be used. **Do not use less than a 6" diameter duct.**

Maximum duct length:

For satisfactory air movement, the total duct length of 3¼" x 10" rectangular or 6" diameter round duct **should not exceed 140 equivalent feet.**

Elbows, transitions, wall and roof caps, etc., present additional resistance to airflow and are equivalent to a section of straight duct which is longer than their actual physical size. When calculating the total duct length, add the equivalent lengths of all transitions and adaptors plus the length of all straight duct sections. The chart below shows you how to calculate total equivalent ductwork length using the approximate feet of equivalent length of some typical ducts.

DUCT PIECES	EQUIVALENT LENGTH	x	NUMBER USED	=	EQUIVALENT LENGTH
 Rectangular-to-Round Transition Adaptor*	5 Ft.	x	()	=	Ft.
 Wall Cap	40 Ft.	x	()	=	Ft.
 90° Elbow	10 Ft.	x	()	=	Ft.
 45° Elbow	5 Ft.	x	()	=	Ft.
 90° Elbow	25 Ft.	x	()	=	Ft.
 45° Elbow	5 Ft.	x	()	=	Ft.
 Roof Cap	24 Ft.	x	()	=	Ft.
 Straight Duct 6" Round or 3¼" x 10" Rectangular	1 Ft.	x	()	=	Ft.
Total Ductwork =					Ft.



*** IMPORTANT:** If a rectangular-to-round transition adaptor is used, the bottom corners of the damper will have to be cut to fit, using the tin snips, in order to allow free movement of the damper.

Equivalent lengths of duct pieces are based on actual tests and reflect requirements for good venting performance with any vent hood.

1" = 2.5 cm; 1' = 0.3 m


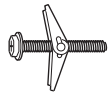


Installation Instructions

DAMAGE – SHIPMENT/ INSTALLATION

- If the unit is damaged in shipment, return the unit to the store in which it was bought for repair or replacement.
- If the unit is damaged by the customer, repair or replacement is the responsibility of the customer.
- If the unit is damaged by the installer (if other than the customer), repair or replacement must be made by arrangement between customer and installer.

PARTS INCLUDED

HARDWARE PACKET

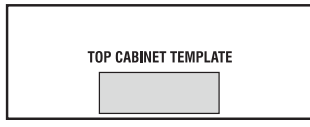
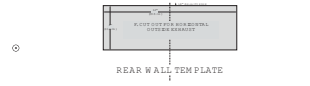

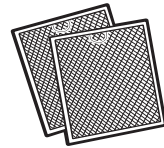
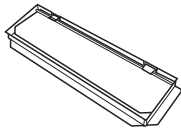
PART		QUANTITY
	Wood Screws (1/4" x 2")	2
	Toggle Bolts (and wing nuts) (1/4" x 3")	2
	Self-aligning Machine Screw (1/4"-28 x 2 5/8")	2
	Nylon Grommet (for metal cabinets)	1

You will find the installation hardware contained in a packet with the unit. Check to make sure you have all these parts.

NOTE: Some extra parts are included.

PARTS INCLUDED

ADDITIONAL PARTS

PART		QUANTITY
	Top Cabinet Template	1
	Rear Wall Template	1
	Installation Instructions	1
	Separately Packed Grease Filters	2
	Exhaust Adaptor with Damper	1

1" = 2.5 cm; 1' = 0.3 m

Installation Instructions

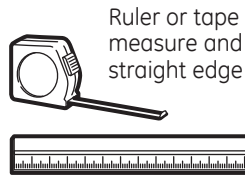
TOOLS YOU WILL NEED



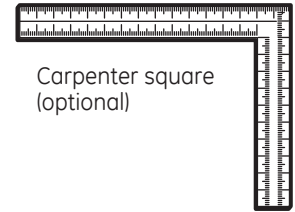
1 and #2 Phillips screwdriver



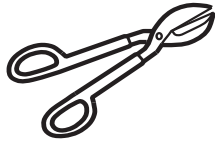
Pencil



Ruler or tape measure and straight edge



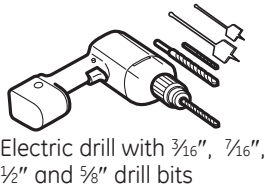
Carpenter square (optional)



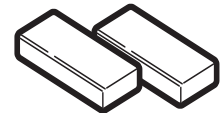
Tin snips (for cutting damper, if required)



Scissors (to cut template, if necessary)



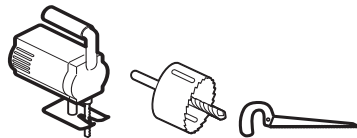
Electric drill with $\frac{3}{16}$ ", $\frac{7}{16}$ ", $\frac{1}{2}$ " and $\frac{5}{8}$ " drill bits



Filler blocks or scrap wood pieces, if needed for top cabinet spacing (used on recessed bottom cabinet installations only)



Gloves



Saw (saber, hole or keyhole)



Stud finder or



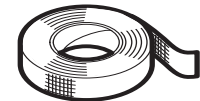
Hammer (optional)



Safety goggles

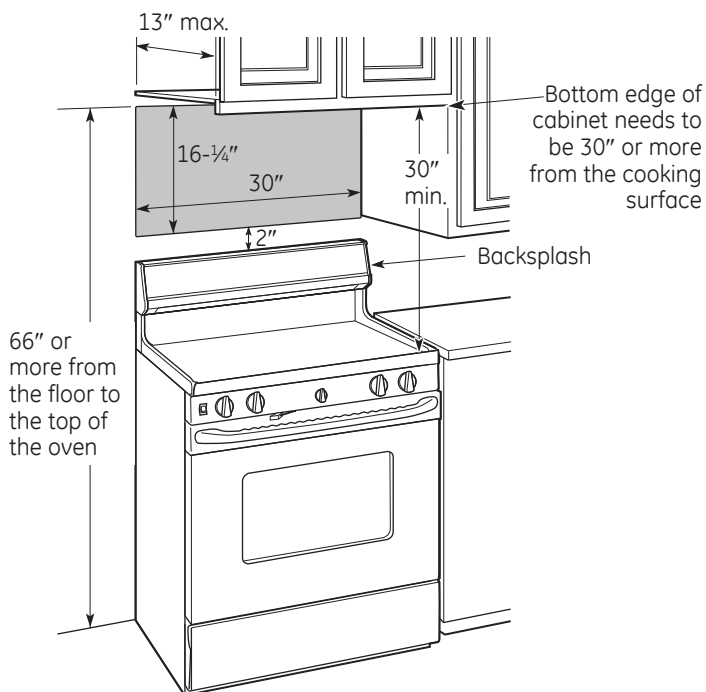


Level



Duct and masking tape

MOUNTING SPACE



NOTES:

- The space between the cabinets must be 30" wide and free of obstructions.
- If the space between the cabinets is greater than 30", a Filler Panel Kit may be used to fill in the gap between the oven and the cabinets. Your Owner's Manual contains the kit number for your model.
- This oven is for installation over ranges up to 36" wide.
- If you are going to vent your oven to the outside, see Hood Exhaust Section for exhaust duct preparation.
- When installing the oven beneath smooth, flat cabinets, be careful to follow the instructions on the top cabinet template for power cord clearance.
- **Maximum cabinet depth above and beside the unit is 13".**
- For models with top venting holes: Do not allow cabinetry or other objects to block the airflow of the vent.
- The product should not be installed over any cooktop or range with a combined BTU greater than 66,000 BTU.

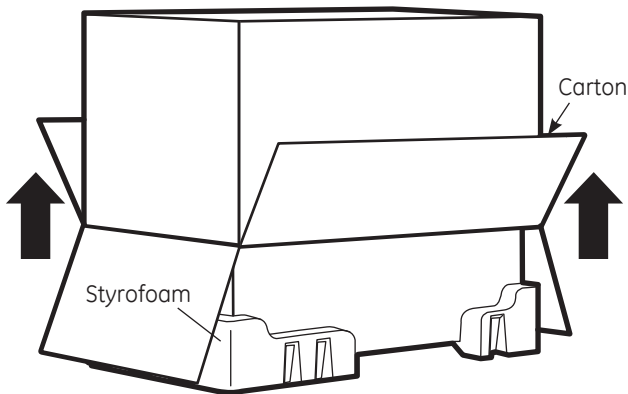
1" = 2.5 cm; 1' = 0.3 m

Installation Instructions

1 PLACEMENT OF THE MOUNTING PLATE

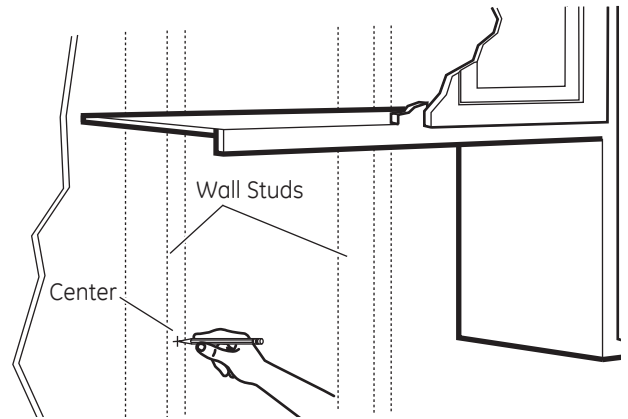
A REMOVING THE OVEN FROM THE CARTON/REMOVING THE MOUNTING PLATE

- 1 Remove the box containing the installation instructions, filters, exhaust adaptor, damper and the small hardware bag. Do not remove the Styrofoam protecting the front of the oven.
- 2 Fold back all 4 carton flaps fully against carton sides. Then carefully roll the oven and carton over onto the top side. The oven should be resting in the Styrofoam.



- 3 Pull the carton up and off the oven.
- 4 The mounting plate is attached to the back of the oven. Remove the two screws holding it to the oven. The plate will be used as the rear wall template and for mounting the oven to the wall.
- 5 Set the oven upright. Remove and properly discard plastic bags and Styrofoam.
- 6 Open the oven door and remove the styrofoam pack from inside the oven. Remove the tape covering the turntable hub.

B FINDING THE WALL STUDS



- 1 Find the studs, using one of the following methods:
 - A. Stud finder – a magnetic device which locates nails.

OR

 - B. Use a hammer to tap lightly across the mounting surface to find a solid sound. This will indicate a stud location.
- 2 After locating the stud(s), find the center by probing the wall with a small nail to find the edges of the stud. Then place a mark halfway between the edges. The center of any adjacent studs should be 16" or 24" from this mark.
- 3 Draw a line down the center of the studs.

IMPORTANT: The microwave must be connected to at least one wall stud.

1" = 2.5 cm; 1' = 0.3 m

Installation Instructions

C DETERMINING WALL PLATE LOCATION UNDER YOUR CABINET

Plate position – beneath flat bottom cabinet

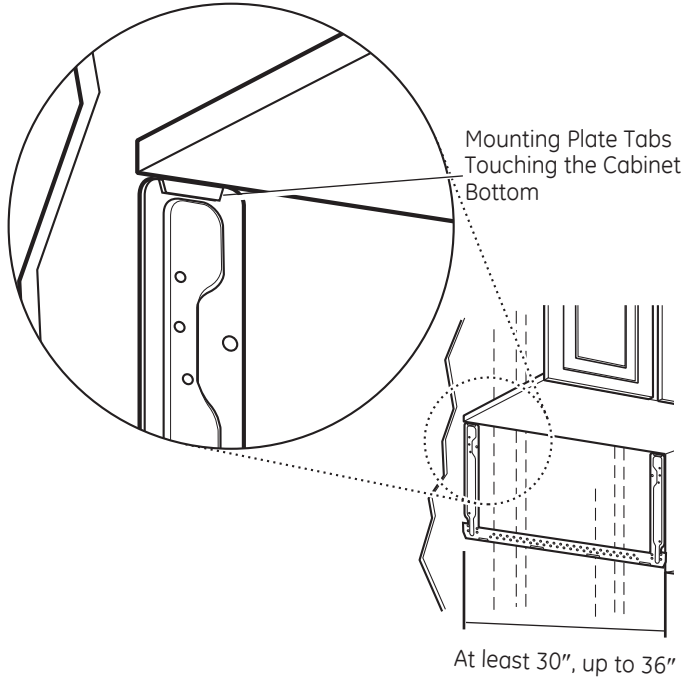


Plate position – beneath framed recessed cabinet bottom

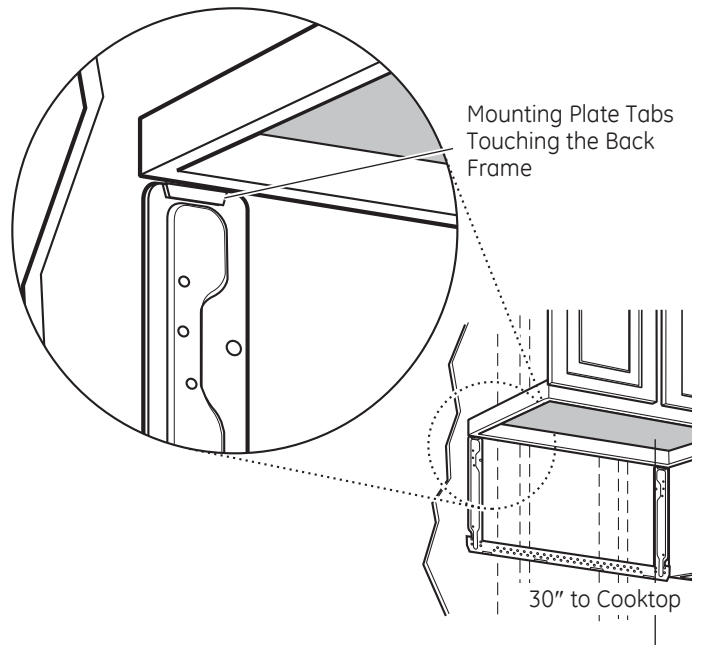
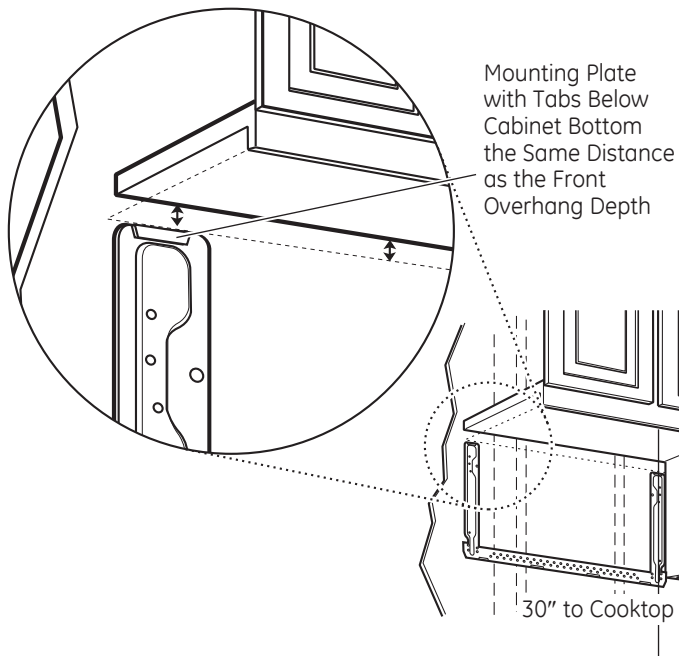


Plate position – beneath recessed bottom cabinet with front overhang



Your cabinets may have decorative trim that interferes with the oven installation. Remove the decorative trim to install the oven properly and to make it level.

THE OVEN MUST BE LEVEL.

Use a level to make sure the cabinet bottom is level.

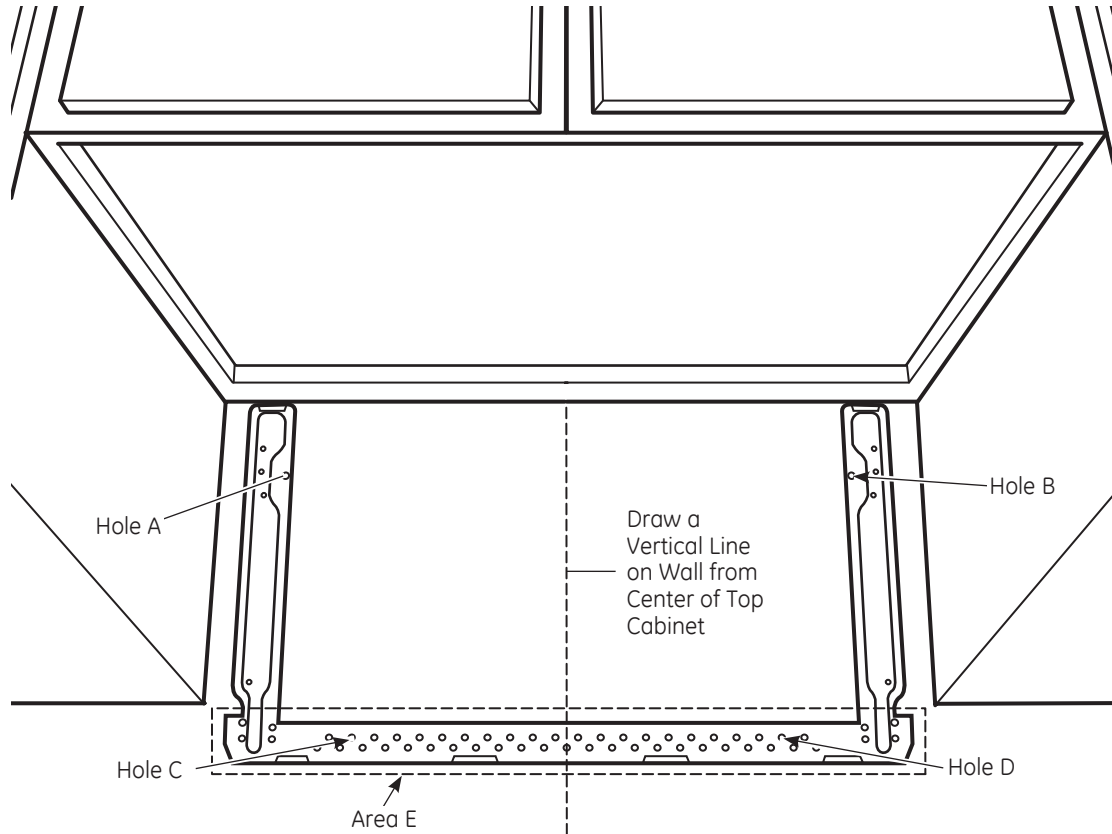
If the cabinets have a front overhang only, with no back or side frame, install the mounting plate down the same distance as the front overhang depth. This will keep the oven level.

- 1 Measure the inside depth of the front overhang.
- 2 Draw a horizontal line on the back wall an equal distance below the cabinet bottom as the inside depth of the front overhang.
- 3 For this type of installation with front overhang only, align the mounting tabs with this horizontal line, not touching the cabinet bottom as described in Step D.

1" = 2.5 cm; 1' = 0.3 m

Installation Instructions

D ALIGNING THE WALL PLATE



⚠ CAUTION:

Wear gloves to avoid cutting fingers on sharp edges.

- 1 Draw a vertical line on the wall at the center of the 30" wide space.
- 2 Use the mounting plate **as the template** for the rear wall. Place the mounting plate on the wall, making sure that the tabs are **touching the bottom of the cabinet or the level line drawn in Step C for cabinets with front overhang. Line up the notch and center line on the mounting plate to the center line on the wall.**
- 3 While holding the mounting plate with one hand, draw circles on the wall at holes A, B, C and D (see illustration above/actual plate marked with arrows). **Four holes must be used for mounting.**

NOTE: Holes C and D are inside area E. If neither C nor D is in a stud, find a stud somewhere in area E and draw a fifth circle to line up with the stud. It is important to use **at least one wood screw mounted firmly in a stud** to support the weight of the oven.

Set the mounting plate aside.

⚠ WARNING: Risk of electric shock. Can cause injury or death. Take care to not drill into electrical wiring inside walls or cabinets.

- 4 Drill holes on the circles. If there is a stud, drill a $\frac{3}{16}$ " hole for wood screws. For holes that don't line up with a stud, drill a $\frac{3}{8}$ " hole for toggle bolts.

NOTE: DO NOT MOUNT THE PLATE AT THIS TIME.

1" = 2.5 cm; 1' = 0.3 m

Installation Instructions

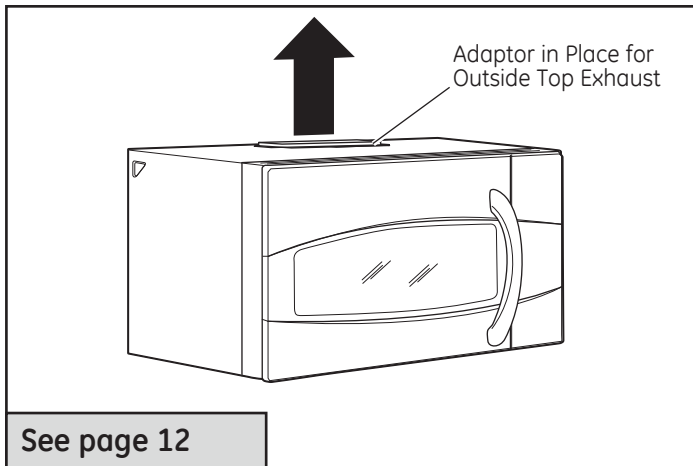
2 INSTALLATION TYPES (Choose A, B or C)

This oven is designed for adaptation to the following 3 types of ventilation:

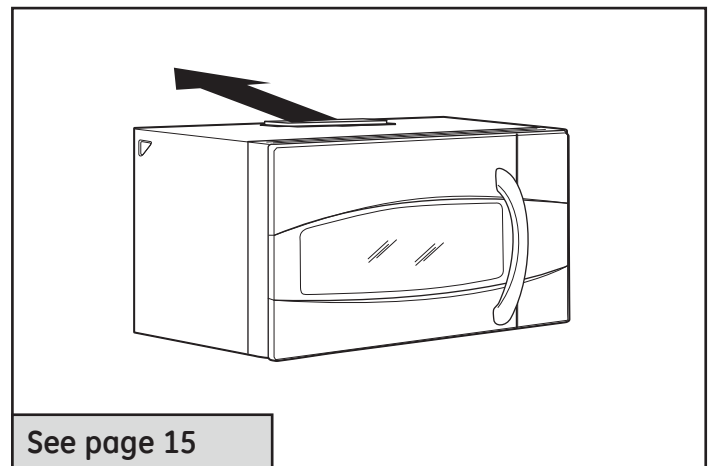
- A. Outside Top Exhaust (Vertical Duct)
- B. Outside Back Exhaust (Horizontal Duct)
- C. Recirculating (Non-Vented Ductless)

NOTE: This oven is shipped assembled for Outside Top Exhaust. Select the type of ventilation required for your installation and proceed to that section.

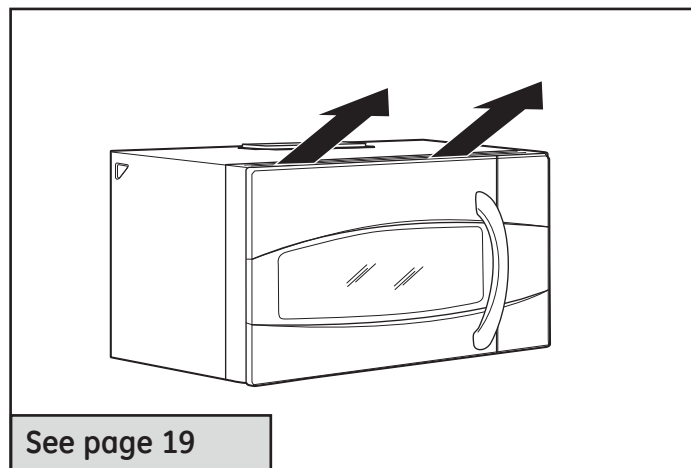
A OUTSIDE TOP EXHAUST (VERTICAL DUCT)



B OUTSIDE BACK EXHAUST (HORIZONTAL DUCT)



C RECIRCULATING (NON-VENTED DUCTLESS)



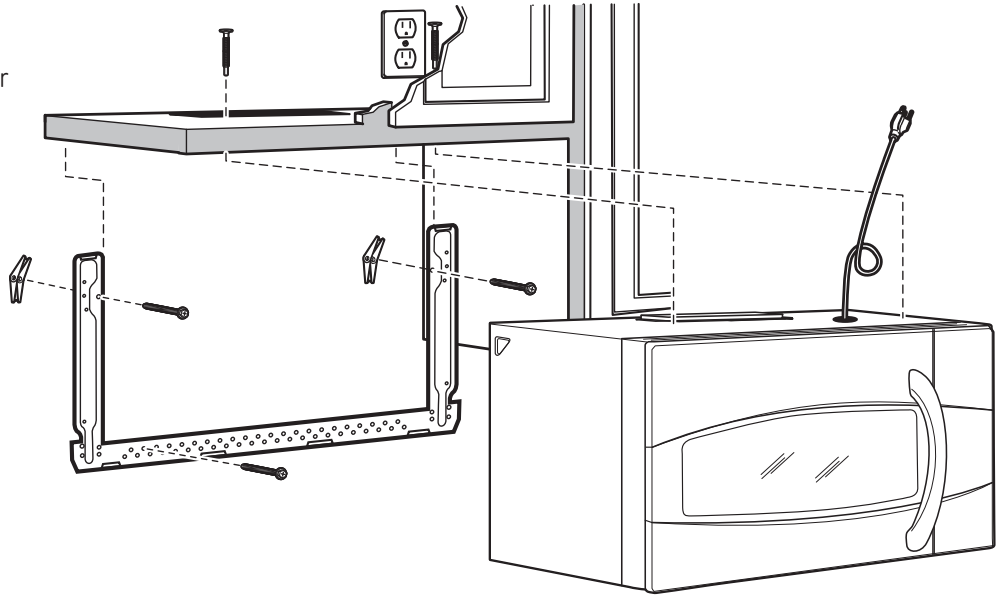
A Charcoal Filter Accessory Kit is required for the non-vented exhaust. (See your Owner's Manual for the kit number.)

Installation Instructions

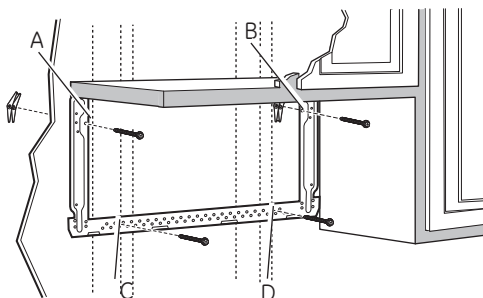
A OUTSIDE TOP EXHAUST (Vertical Duct)

INSTALLATION OVERVIEW

- A1. Attach Mounting Plate to Wall
- A2. Prepare Top Cabinet
- A3. Install Adaptor
- A4. Mount Oven
- A5. Adjust Exhaust Adaptor
- A6. Connect Ductwork



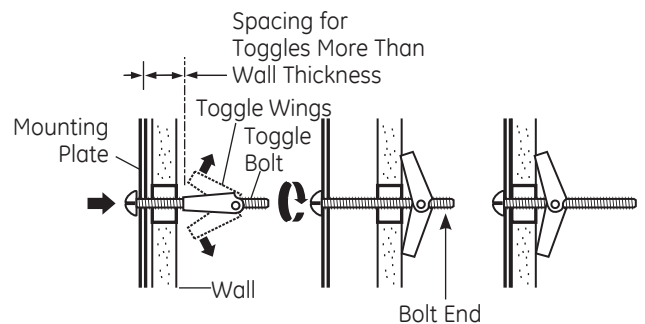
A1 ATTACH THE MOUNTING PLATE TO THE WALL



Attach the plate to the wall using toggle bolts. At least one wood screw must be used to attach the plate to a wall stud. Recommended locations on the mounting plate are indicated by A, B, C and D.

- 1 Remove the toggle wings from the bolts.
- 2 Insert the bolts into the mounting plate through the holes designated to go into drywall and reattach the toggle wings to $\frac{3}{4}$ " onto each bolt.

To use toggle bolts:



- 3 Place the mounting plate against the wall and insert the toggle wings into the holes in the wall to mount the plate.

NOTE: Before tightening toggle bolts and wood screw, make sure the tabs on the mounting plate touch the bottom of the cabinet when pushed flush against the wall and that the plate is properly centered under the cabinet.

CAUTION: Be careful to avoid pinching fingers between the back of the mounting plate and the wall.

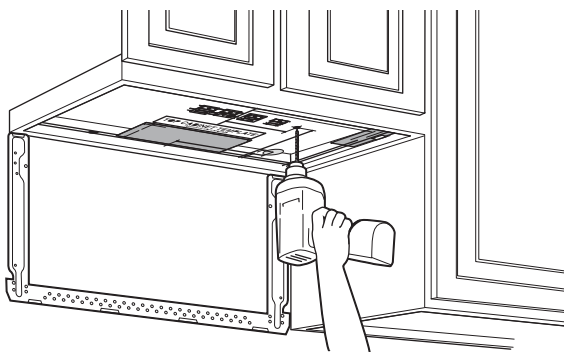
- 4 Tighten all bolts. Pull the plate away from the wall to help tighten the bolts.

1" = 2.5 cm; 1' = 0.3 m

Installation Instructions

A2 USE TOP CABINET TEMPLATE FOR PREPARATION OF TOP CABINET

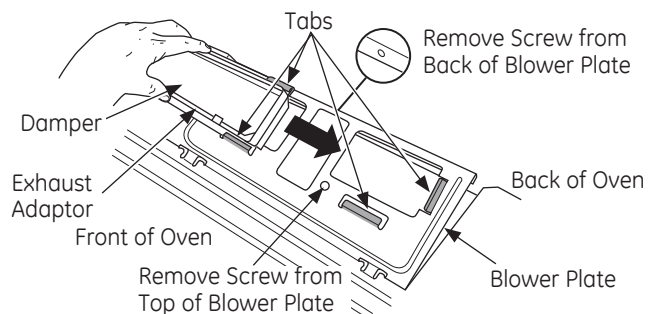
You need to drill holes for the top support screws, a hole large enough for the power cord to fit through, and a cutout large enough for the exhaust adaptor.



- Read the instructions on the TOP CABINET TEMPLATE.
- Tape it underneath the top cabinet.
- Drill the holes, following the instructions on the TOP CABINET TEMPLATE.

CAUTION: Wear safety goggles when drilling holes in the cabinet bottom.

A3 ASSEMBLE AND INSTALL ADAPTOR



- 1 Place the oven in its upright position, with the top of the unit facing up and the front of the unit facing toward you.
- 2 Remove the screw on the back side of the blower plate and raise the blower plate off of the microwave.
- 3 Slide the damper from left to right into the tabs on the blower plate. The yellow tape on the damper should be facing back. If the blower plate is not raised off of the top of the microwave, the damper cannot slide into position.
- 4 Remove the yellow tape from the damper. **Make sure that the damper pivots easily before mounting oven.**

You will need to make adjustments to assure proper alignment with your house exhaust duct after the oven is installed.

A4 MOUNT THE OVEN



CAUTION: To avoid the risk of personal injury (back injury or other injuries due to excessive weight of the microwave) or property damage, you will need two people to install this microwave.

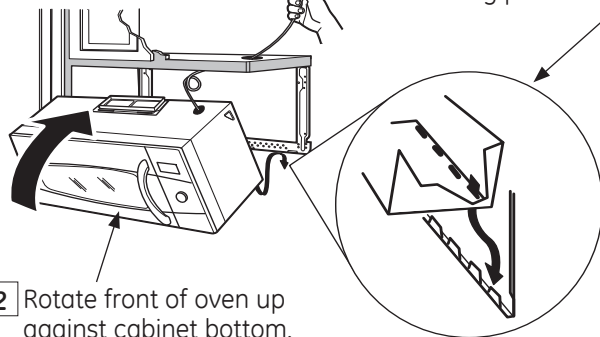
IMPORTANT: Do not grip or use handle during installation.

WARNING: Risk of Electric Shock. Can cause injury or death: If installing unit with metal countertops, cover the edge of the power supply cord hole with the power supply cord bushing.

IMPORTANT: If filler blocks are not used, case damage may occur from overtightening screws.

NOTE: When mounting the microwave, thread power cord through hole in bottom of top cabinet. Keep it tight throughout Steps 1-3. Do not pinch cord or lift oven by pulling cord.

- 1 Lift microwave, tilt it forward, and hook slots at back bottom edge onto four lower tabs of mounting plate.



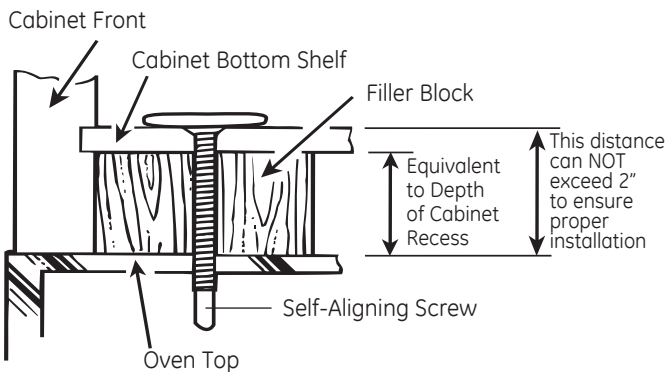
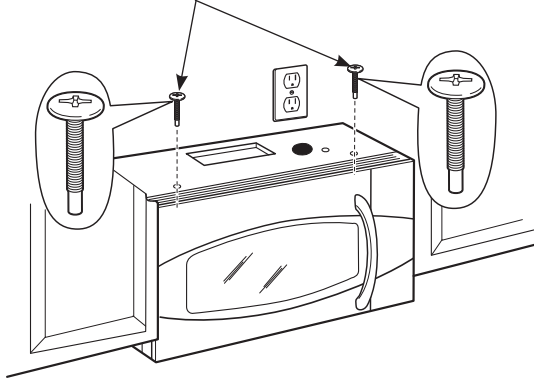
- 2 Rotate front of oven up against cabinet bottom.
- 3 Insert a self-aligning screw through top-center cabinet hole. Temporarily secure the oven by turning the screw at least **two full turns** after the threads have engaged. (It will be completely tightened later.)

Installation Instructions

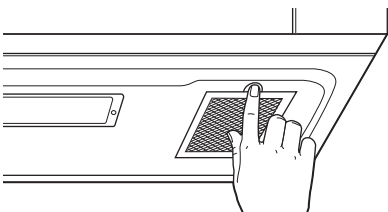
A4 MOUNT THE OVEN (continued)

3 Attach the oven to the top cabinet.

4 Insert 2 self-aligning screws ($\frac{3}{4}$ "-28 x $2\frac{5}{8}$ ") through outer top cabinet holes. Turn two full turns on each screw.



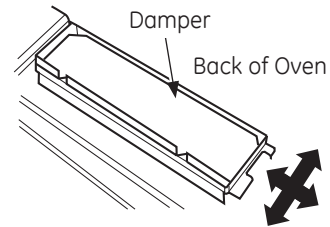
5 Tighten the outer two screws to the top of the oven. (While tightening screws, hold the oven in place against the wall and the top cabinet.)



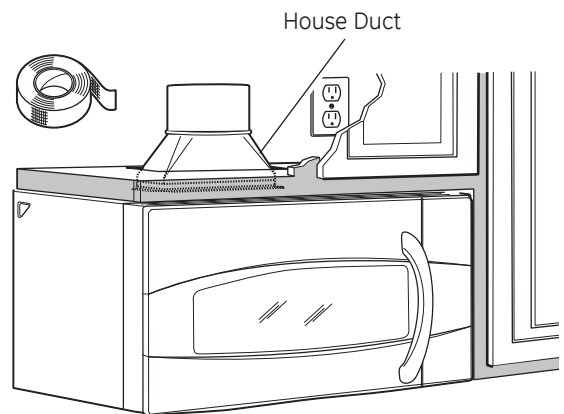
6 Install grease filters. See the Owner's Manual packed with the oven.

A5 ADJUST THE EXHAUST ADAPTOR

Open the top cabinet and adjust the exhaust adaptor to connect to the house duct.



A6 CONNECTING DUCTWORK



- 1 Extend the house duct down to connect to the exhaust adaptor.
- 2 Seal exhaust duct joints using duct tape.

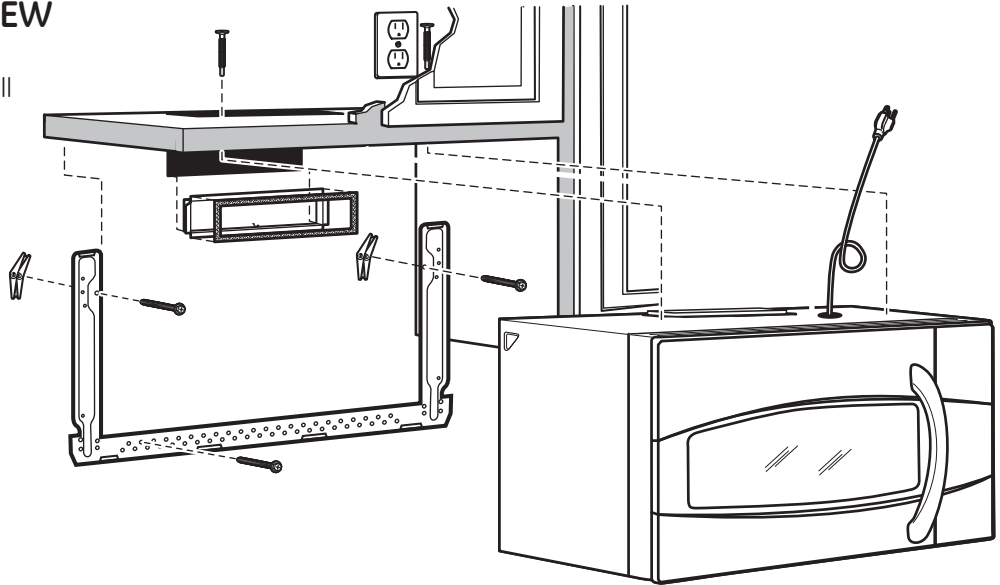
1" = 2.5 cm; 1' = 0.3 m

Installation Instructions

B OUTSIDE BACK EXHAUST (Horizontal Duct)

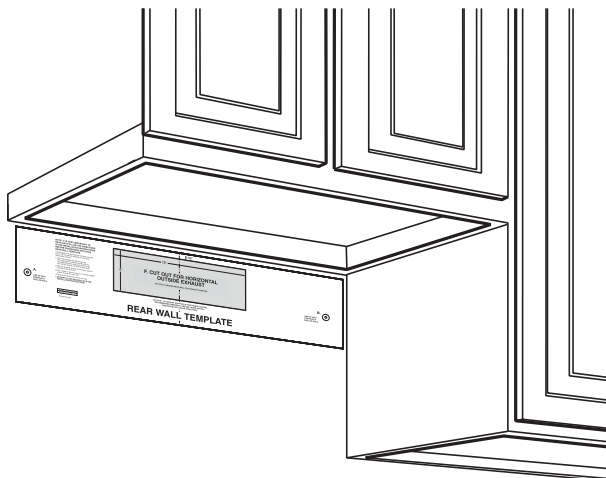
INSTALLATION OVERVIEW

- B1. Prepare Rear Wall
- B2. Attach Mounting Plate to Wall
- B3. Prepare Top Cabinet
- B4. Adjust Blower
- B5. Mount the Oven



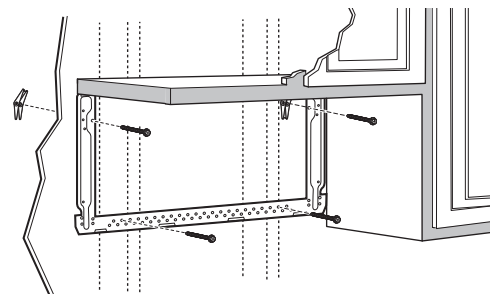
B1 PREPARING THE REAR WALL FOR OUTSIDE BACK EXHAUST

You need to cut an opening in the rear wall for outside exhaust.



- Read the instructions on the REAR WALL TEMPLATE.
- Tape it to the rear wall, lining up with the holes previously drilled for holes A and B in the wall plate.
- Cut the opening, following the instructions of the REAR WALL TEMPLATE.

B2 ATTACH THE MOUNTING PLATE TO THE WALL



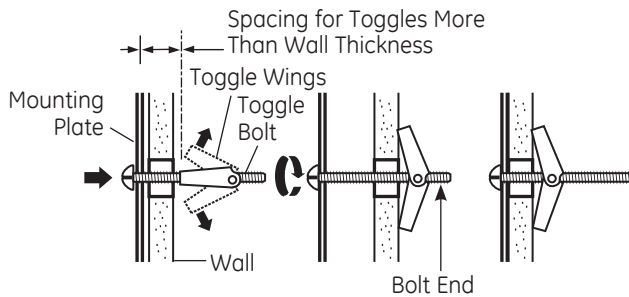
Attach the plate to the wall using toggle bolts. At least one wood screw must be used to attach the plate to a wall stud.

- 1 Remove the toggle wings from the bolts.
- 2 Insert the bolts into the mounting plate through the holes designated to go into drywall and reattach the toggle wings to $\frac{3}{4}$ " onto each bolt.

1" = 2.5 cm; 1' = 0.3 m

Installation Instructions

To use toggle bolts:



- Place the mounting plate against the wall and insert the toggle wings into the holes in the wall to mount the plate.

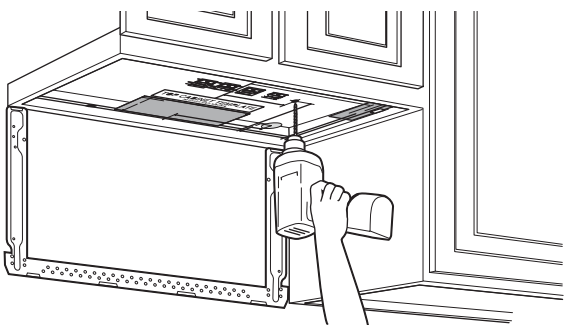
NOTE: Before tightening toggle bolts and wood screw, make sure the tabs on the mounting plate touch the bottom of the cabinet when pushed flush against the wall and that the plate is properly centered under the cabinet.

CAUTION: Be careful to avoid pinching fingers between the back of the mounting plate and the wall.

- Tighten all bolts. Pull the plate away from the wall to help tighten the bolts.

B3 USE TOP CABINET TEMPLATE FOR PREPARATION OF TOP CABINET

You need to drill holes for the top support screws and a hole large enough for the power cord to fit through.

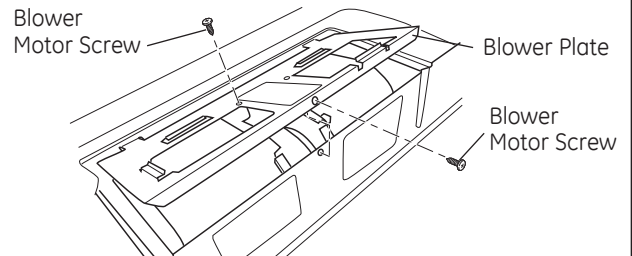


- Read the instructions on the TOP CABINET TEMPLATE.
- Tape it underneath the top cabinet.
- Drill the holes, following the instructions on the TOP CABINET TEMPLATE.

CAUTION: Wear safety goggles when drilling holes in the cabinet bottom.

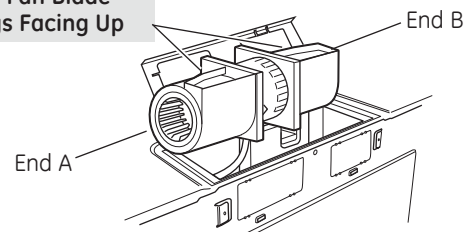
B4 ADAPTING BLOWER FOR OUTSIDE BACK EXHAUST

- Remove the blower motor screw that holds the blower plate to the oven. Lift the front of the blower plate to install the blower.

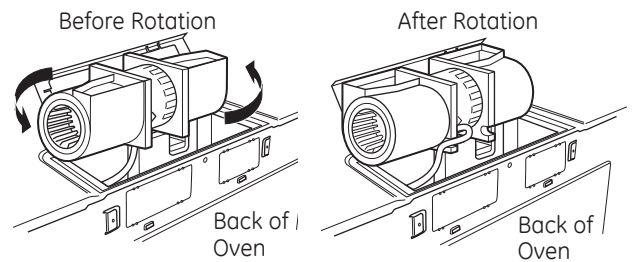


- Carefully pull out the blower unit. The wires will extend far enough to allow you to adjust the blower unit.

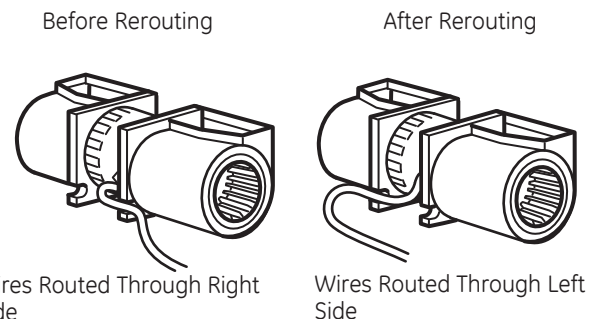
BEFORE: Fan Blade Openings Facing Up



- Rotate blower unit counterclockwise 180°.

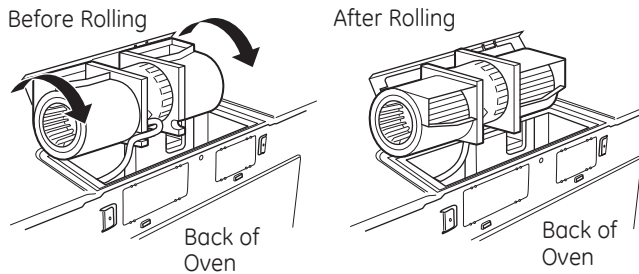


- Gently remove the wires from the grooves. Reroute the wires through grooves on other side of the blower unit.



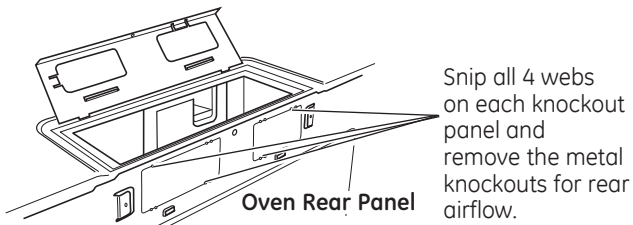
Installation Instructions

- 5 Roll the blower unit 90° so that fan blade openings are facing out the back of the oven.



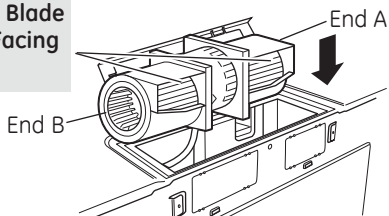
- 6 Locate the two “knockout” plates, on the rear oven panel, near the top of the oven.
Using tin snips, carefully cut the web area from the two holes side-by-side (that secure the knockouts to the oven). Cut all four webs on both rear knockouts; this will allow the ventilation fan airflow to exhaust out the rear of the oven.

CAUTION: Be sure to trim the sharp edges from the openings after removing the knockout plates.



- 7 Place the blower unit back into the opening.

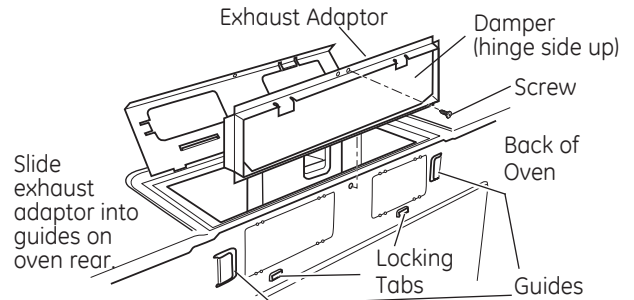
AFTER: Fan Blade Openings Facing Back



WARNING: Risk of electric shock can cause injury or death. Do not pull or stretch the blower unit wiring. make sure the wires are not pinched.

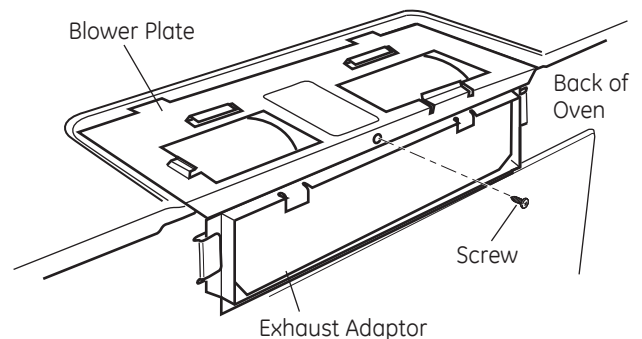
NOTE: The blower unit exhaust openings should match exhaust openings on rear of microwave.

- 8 Attach the exhaust adaptor to the rear of the oven by sliding it into the guides at the top center of the back of the oven.



Push down securely until it is in the lower locking tabs. Take care to assure the damper hinge is installed so that it is at the top and that the damper swings freely.

- 9 Close the blower plate so it is closed over the top tab of the exhaust adaptor. Secure with the screw removed earlier.



Installation Instructions

B5 MOUNT THE OVEN



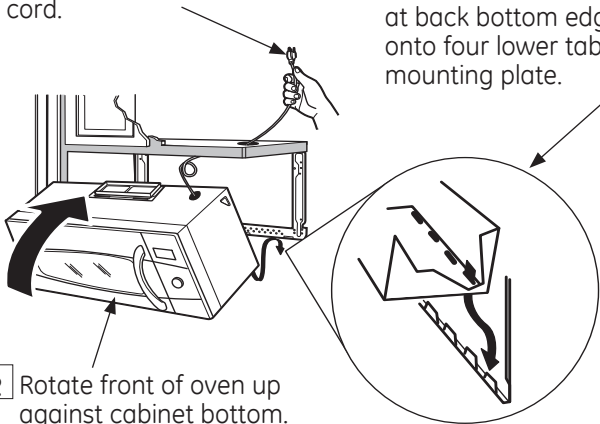
CAUTION: To avoid the risk of personal injury (back injury or other injuries due to excessive weight of the microwave) or property damage, you will need two people to install this microwave.

IMPORTANT: Do not grip or use handle during installation.

WARNING: Risk of Electric Shock. Can cause injury or death: If installing unit with metal countertops, cover the edge of the power supply cord hole with the power supply cord bushing.

IMPORTANT: If filler blocks are not used, case damage may occur from overtightening screws.

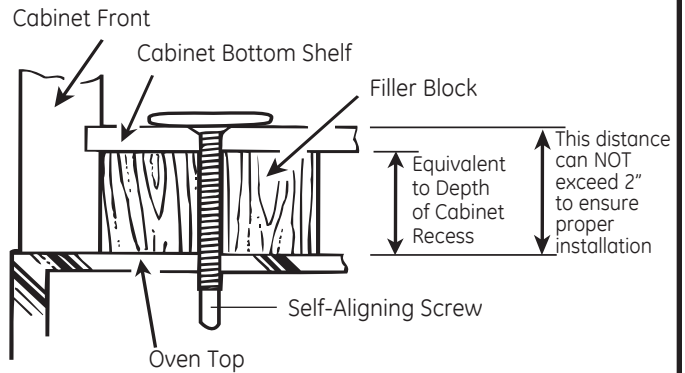
NOTE: When mounting the microwave, thread power cord through hole in bottom of top cabinet. Keep it tight throughout Steps 1-3. Do not pinch cord or lift oven by pulling cord.



1 Lift microwave, tilt it forward, and hook slots at back bottom edge onto four lower tabs of mounting plate.

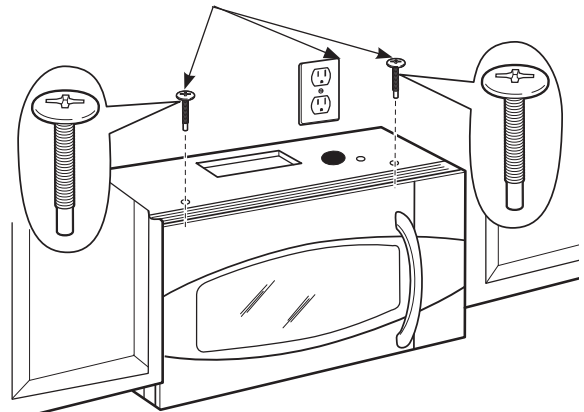
2 Rotate front of oven up against cabinet bottom.

3 Insert a self-aligning screw through top-center cabinet hole. Temporarily secure the oven by turning the screw at least **two full turns** after the threads have engaged. (It will be completely tightened later.)

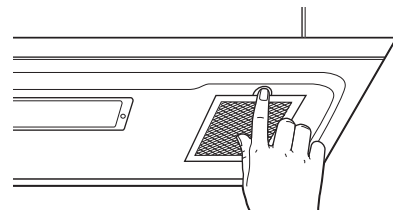


4 Attach the oven to the top cabinet.

5 Insert 2 self-aligning screws ($\frac{1}{4}$ "-28 x $2 \frac{5}{8}$ ") through outer top cabinet holes. Turn two full turns on each screw.



6 Tighten the outer two screws to the top of the oven. (While tightening screws, hold the oven in place against the wall and the top cabinet.)



7 Install grease filters. See the Owner's Manual packed with the oven.

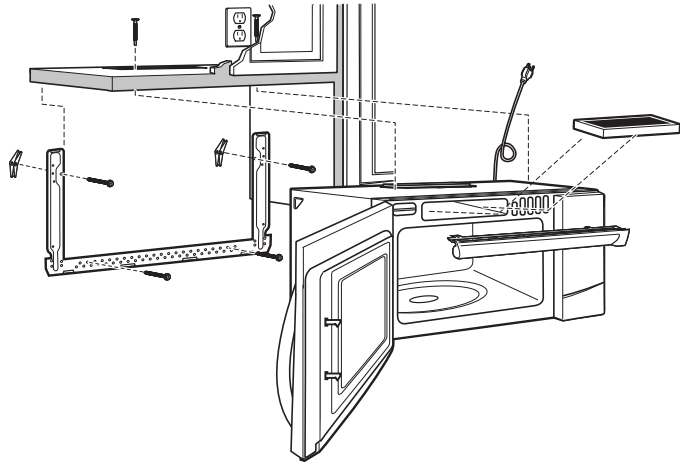
1" = 2.5 cm; 1' = 0.3 m

Installation Instructions

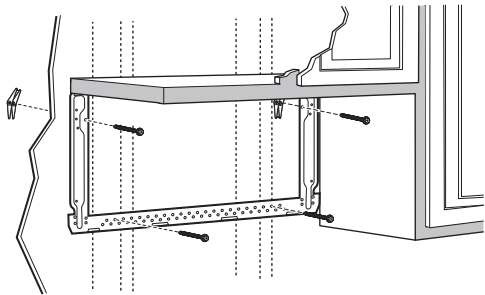
C RECIRCULATING (Non-Vented Ductless)

INSTALLATION OVERVIEW

- C1. Attach Mounting Plate to Wall
- C2. Prepare Top Cabinet
- C3. Adjust Blower
- C4. Mount the Oven
- C5. Install Charcoal Filter (not supplied)



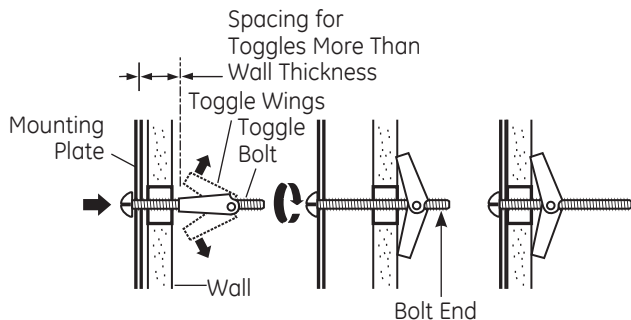
C1 ATTACH THE MOUNTING PLATE TO THE WALL



Attach the plate to the wall using toggle bolts. At least one wood screw must be used to attach the plate to a wall stud.

- 1 Remove the toggle wings from the bolts.
- 2 Insert the bolts into the mounting plate through the holes designated to go into drywall and reattach the toggle wings to $\frac{3}{4}$ " onto each bolt.

To use toggle bolts:



1" = 2.5 cm; 1' = 0.3 m

- 3 Place the mounting plate against the wall and insert the toggle wings into the holes in the wall to mount the plate.

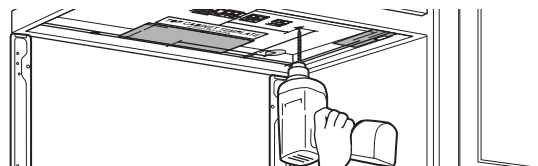
NOTE: Before tightening toggle bolts and wood screw, make sure the tabs on the mounting plate touch the bottom of the cabinet when pushed flush against the wall and that the plate is properly centered under the cabinet.

CAUTION: Be careful to avoid pinching fingers between the back of the mounting plate and the wall.

- 4 Tighten all bolts. Pull the plate away from the wall to help tighten the bolts.

C2 USE TOP CABINET TEMPLATE FOR PREPARATION OF TOP CABINET

You need to drill holes for the top support screws and a hole large enough for the power cord to fit through.



- Read the instructions on the TOP CABINET TEMPLATE.
- Tape it underneath the top cabinet.
- Drill the holes, following the instructions on the TOP CABINET TEMPLATE.

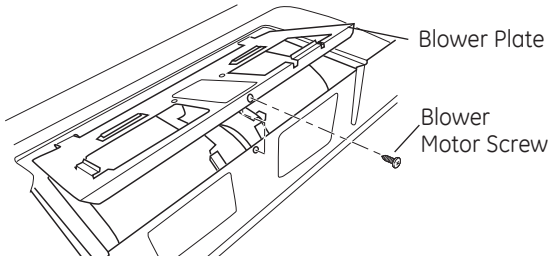
CAUTION: Wear safety goggles when drilling holes in the cabinet bottom.

Installation Instructions

C3 ADAPTING BLOWER FOR RECIRCULATION

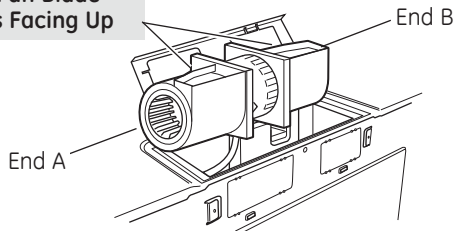
NOTE: The exhaust adaptor with damper is not needed for recirculating models. You may want to save them for possible future use.

- 1 Carefully pull out the blower unit. The wires will extend far enough to allow you to adjust the blower unit.

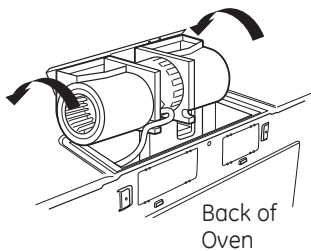


- 2 Carefully pull out the blower unit. The wires will extend far enough to allow you to adjust the blower unit.

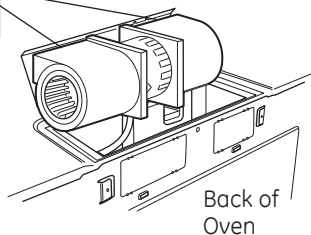
BEFORE: Fan Blade Openings Facing Up



- 3 Roll the blower unit 90° so that fan blade openings are facing out the back of the oven.



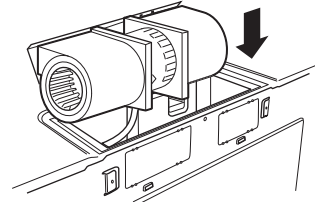
AFTER: Fan Blade Openings Facing Forward



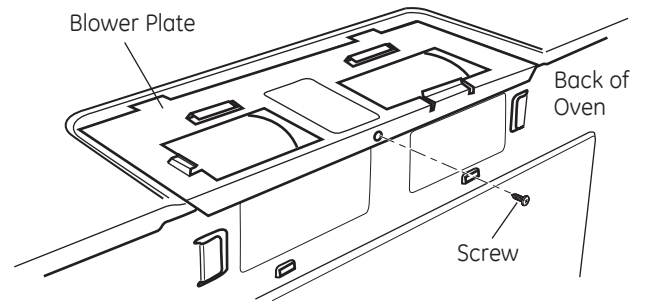
NOTE: Make sure wires remain routed in the grooves of the motor frame.

- 4 Place the blower unit back into the opening.

⚠ WARNING: Risk of electric shock can cause injury or death. Do not pull or stretch the blower unit wiring. Make sure the wires are not pinched.



- 5 Close the blower plate. Secure with the screw removed earlier.



Installation Instructions

C4 MOUNT THE OVEN



CAUTION: To avoid the risk of personal injury (back injury or other injuries due to excessive weight of the microwave) or property damage, you will need two people to install this microwave.

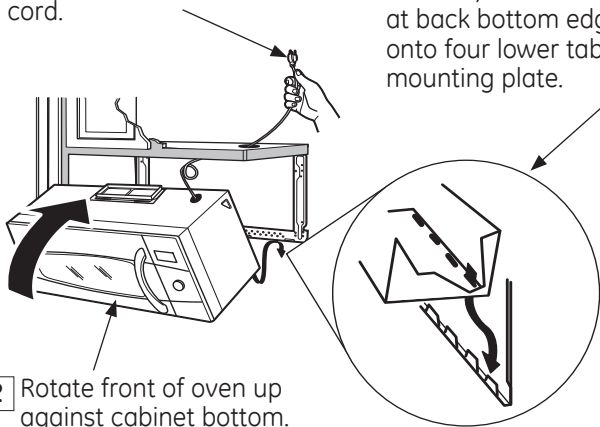
IMPORTANT: Do not grip or use handle during installation.

WARNING: Risk of Electric Shock. Can cause injury or death: If installing unit with metal countertops, cover the edge of the power supply cord hole with the power supply cord bushing.

IMPORTANT: If filler blocks are not used, case damage may occur from overtightening screws.

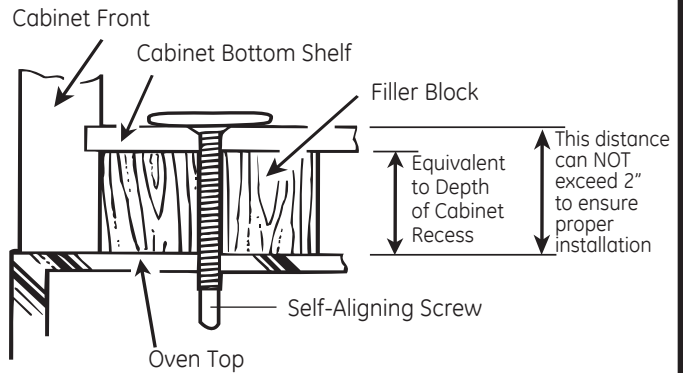
NOTE: When mounting the microwave, thread power cord through hole in bottom of top cabinet. Keep it tight throughout Steps 1-3. Do not pinch cord or lift oven by pulling cord.

1 Lift microwave, tilt it forward, and hook slots at back bottom edge onto four lower tabs of mounting plate.

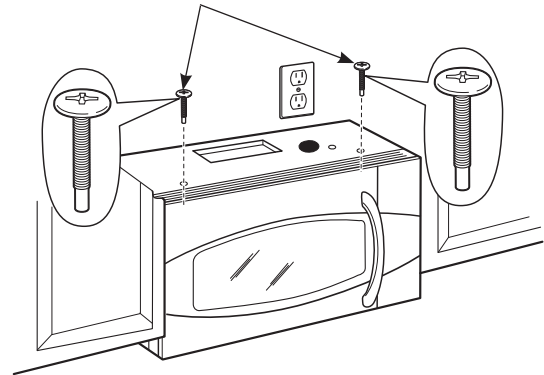


2 Rotate front of oven up against cabinet bottom.

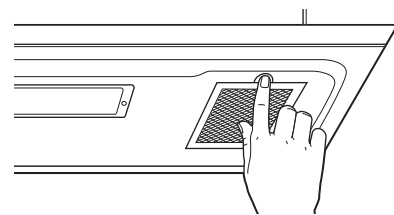
3 Insert a self-aligning screw through top-center cabinet hole. Temporarily secure the oven by turning the screw at least **two full turns** after the threads have engaged. (It will be completely tightened later.)



4 Insert 2 self-aligning screws ($\frac{1}{4}$ "-28 x $2 \frac{5}{8}$ ") through outer top cabinet holes. Turn two full turns on each screw.



5 Tighten the outer two screws to the top of the oven. (While tightening screws, hold the oven in place against the wall and the top cabinet.)



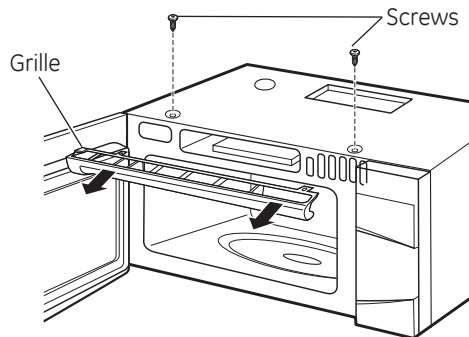
6 Install grease filters. See the Owner's Manual packed with the oven.

1" = 2.5 cm; 1' = 0.3 m

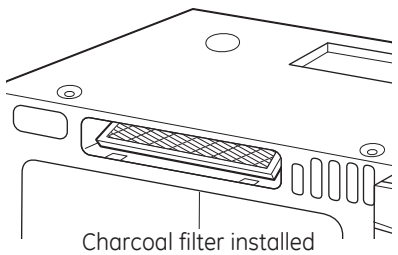
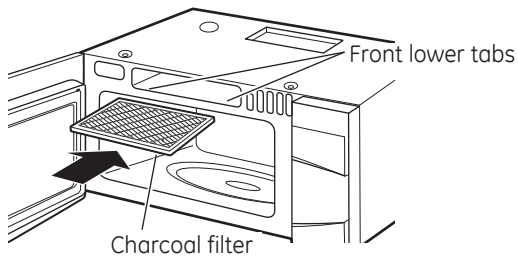
Installation Instructions

C5 INSTALLING THE CHARCOAL FILTER

- 1 Remove 2 screws on top of oven, just above the grille panel, using a Phillips screwdriver.
- 2 Open the door.
- 3 Remove the grille.



- 4 Insert the filter into the oven as shown until it fits squarely into place. It will rest at an angle behind the front lower tabs. When properly installed, the wire mesh of the filter should be visible from the front.



- 5 Replace the grille and the 2 top screws.
- 6 Close the door and replace left side screw.

Installation Instructions

BEFORE YOU USE YOUR OVEN

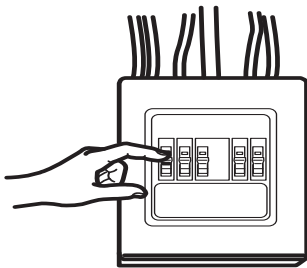
- 1** Make sure the oven has been installed according to instructions.



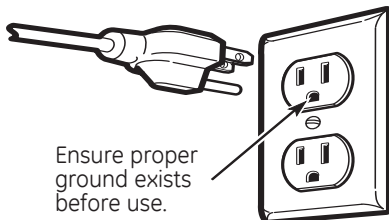
- 2** Remove all packing material from the oven.

- 3** Install turntable and wheeled ring in cavity.

- 4** Replace house fuse or turn breaker back on.



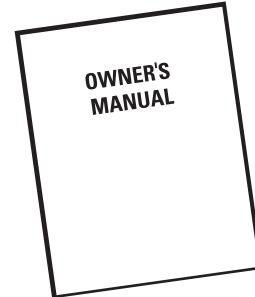
- 5** **120 V Models:** Plug power cord into a dedicated 15- to 20-amp electrical outlet.



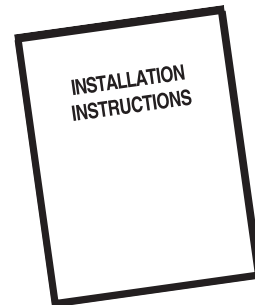
Ensure proper ground exists before use.

Where a standard two-prong wall receptacle is encountered, it is very important to have it replaced with a properly grounded three-prong wall receptacle, installed by a qualified electrician.

- 6** Read the Owner's Manual.



- 7** KEEP INSTALLATION INSTRUCTIONS FOR THE LOCAL INSPECTOR'S USE.



Instructions d'installation

Four à micro-ondes à hotte intégrée

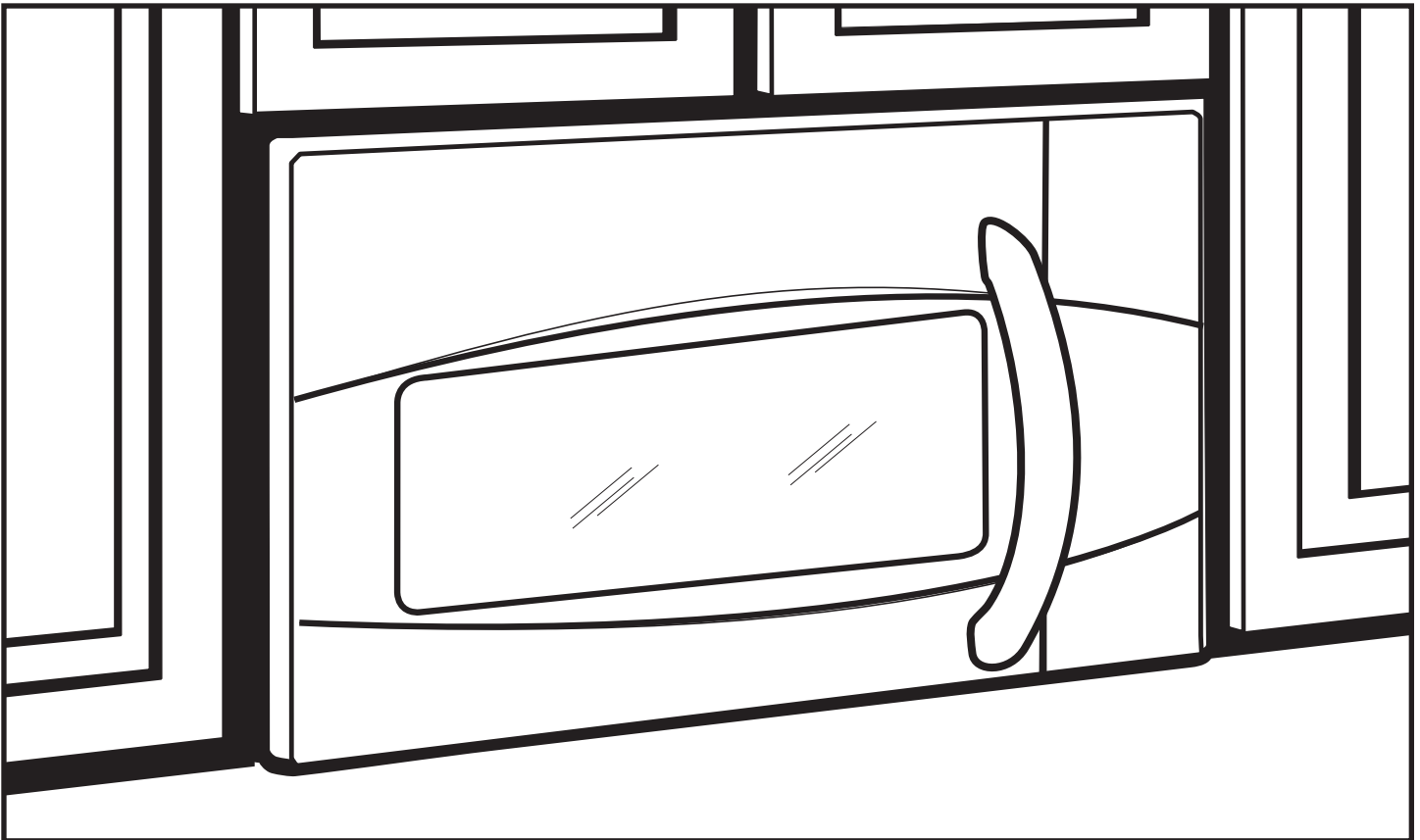
PVM9195 et PVM9215

Des questions? Téléphonez au 1-800-561-3344 ou visitez notre site Web à l'adresse : www.electromenagersge.ca

AVANT DE COMMENCER

Lisez attentivement toutes ces instructions.

- **IMPORTANT** – Conservez ces instructions pour l'inspecteur local.
- **IMPORTANT** – Observez tous les codes et règlements en vigueur.
- **Remarque destinée à l'installateur** – Veillez à laisser ces instructions au consommateur.
- **Remarque destinée au consommateur** – Conservez ces instructions pour vous y reporter ultérieurement.
- **Niveau de compétence** – L'installation de cet appareil nécessite des compétences de base en mécanique et en électricité.
- L'installateur est responsable de la qualité de l'installation.
- Une panne du produit due à une mauvaise installation n'est pas couverte par la garantie.



VEUILLEZ LIRE ATTENTIVEMENT.
CONSERVEZ CES INSTRUCTIONS.

Instructions d'installation

TABLE DES MATIÈRES

Renseignements généraux

Consignes de sécurité importantes.....	27
Exigences électriques.....	27
Évacuation de la hotte.....	28, 29
Dommmages - Expédition/installation.....	30
Pièces comprises.....	30
Outils nécessaires.....	31
Dégagements pour l'installation.....	31

Guide d'installation étape par étape

Mise en place de la plaque de montage.....	32 à 34
Enlèvement de la plaque de montage.....	32
Localisation des montants.....	32
Établissement de l'emplacement de la plaque murale.....	33
Alignement de la plaque murale.....	34

Types d'installation..... 35 à 46

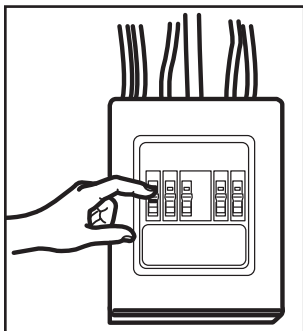
A Évacuation à l'extérieur par le dessus.....	36 à 38
Fixation de la plaque de montage au mur.....	36
Préparation de l'armoire supérieure.....	37
Montage et installation de l'adaptateur.....	37
Installation du four.....	37, 38
Ajustement de l'adaptateur d'évacuation.....	38
Connexion au conduit.....	38
B Évacuation à l'extérieur par l'arrière.....	39 à 42
Préparation du mur arrière pour l'évacuation à l'extérieur par l'arrière.....	39
Fixation de la plaque de montage au mur.....	39, 40
Préparation de l'armoire supérieure.....	40
Adaptation du ventilateur pour l'évacuation à l'extérieur par l'arrière.....	40, 41
Installation du four.....	42

C Recyclage d'air.....	43 à 46
Fixation de la plaque de montage au mur.....	43
Préparation de l'armoire supérieure.....	43
Adaptation du ventilateur pour le recyclage d'air.....	44, 45
Installation du four.....	45
Installation du filtre à charbon.....	46
Avant d'utiliser votre four	47

Instructions d'installation

CONSIGNES DE SÉCURITÉ IMPORTANTES

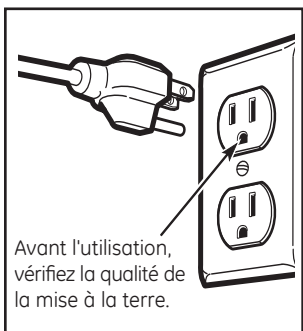
Avant d'entreprendre l'installation, un électricien qualifié doit vérifier la continuité à la prise murale pour s'assurer qu'elle est adéquatement mise à la terre. Si ce n'est pas le cas, ou si la prise murale ne répond pas aux exigences électriques indiquées (à la section EXIGENCES ÉLECTRIQUES), il faut faire appel à un électricien qualifié pour corriger tout défaut.



⚠ AVERTISSEMENT : Risque de choc électrique. Peut entraîner des blessures ou la mort : Enlevez le fusible ou déclenchez le disjoncteur au panneau de distribution principal avant d'entreprendre l'installation, afin d'éviter toute blessure grave ou mortelle imputable à un choc électrique.

⚠ AVERTISSEMENT : Risque de choc électrique. Peut entraîner des blessures ou la mort : CET APPAREIL DOIT ÊTRE CONVENABLEMENT MIS À LA TERRE pour éviter un choc grave ou mortel.

Modèles de 120 V



Avant l'utilisation, vérifiez la qualité de la mise à la terre.

Pour diminuer les risques de choc électrique, le cordon d'alimentation de cet appareil est muni d'une fiche à trois broches (mise à la terre) qui correspond à une prise murale à trois alvéoles (prise mise à la terre).

Si la prise murale est du type standard à deux alvéoles, il faut la faire remplacer par une prise à trois alvéoles correctement mise à la terre, en vous adressant à un électricien qualifié.

⚠ AVERTISSEMENT : Risque de choc électrique. Peut entraîner des blessures ou la mort : NE COUPEZ, NE DÉFORMEZ ET NE RETIREZ en aucun cas la troisième broche (mise à la terre) de la fiche du cordon d'alimentation. N'utilisez pas de cordon prolongateur. Le non-respect de ces consignes peut causer un incendie.

⚠ ATTENTION : Pour votre sécurité, la surface de montage doit être en mesure de supporter la charge des armoires, ainsi qu'un poids supplémentaire de 63 à 85 lb (28,5 à 38,5 kg) correspondant au poids du produit, et la charge du four qui peut atteindre 50 lb (22,7 kg), pour un poids total de 113 à 135 lb (51,2 à 61,2 kg).

⚠ ATTENTION : Pour votre sécurité, ce produit ne doit pas être installé sous des armoires aménagées en îlot ou en péninsule. Il doit être fixé À LA FOIS à une armoire supérieure ET à un mur.

⚠ ATTENTION : Afin d'éviter les risques de blessure (blessures au dos ou autres dues au poids excessif du four à micro-ondes) et pour ne pas endommager le produit, son installation doit être effectuée par deux personnes.

EXIGENCES ÉLECTRIQUES

Modèles de 120 V

Ce produit exige une prise de courant à trois alvéoles, mise à la terre. Les caractéristiques nominales de ce produit sont : 120 V CA, 60 Hz, 13,5 A et 1,50 kW. Ce produit doit être branché à un circuit d'alimentation de tension et de fréquence appropriées. La taille des fils doit être conforme aux exigences du Code national de l'électricité ou du code local en vigueur pour cette puissance nominale. La fiche du cordon d'alimentation doit être branchée dans une prise de courant distincte mise à la terre, de 15 ou 20 ampères. La boîte de la prise doit être aménagée dans l'armoire au-dessus du four et à l'écart de toute propagation potentielle de micro-ondes. La boîte de la prise et le circuit d'alimentation doivent être installés par un électricien qualifié, conformément aux normes du Code national d'électricité ou du code local en vigueur.


Instructions d'installation

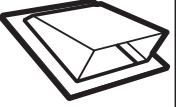


ÉVACUATION DE LA HOTTE

REMARQUE : Ne lisez les deux pages suivantes que si vous décidez d'évacuer l'air du ventilateur à l'extérieur. Si vous décidez de recycler l'air dans la pièce, rendez-vous à la page 30.

ÉVACUATION À L'EXTÉRIEUR PAR LE DESSUS (EXEMPLE SEULEMENT)

Le tableau suivant décrit un exemple d'installation de conduit possible.




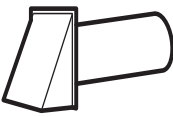


PIÈCES DE CONDUIT	LONGUEUR ÉQUIVALENTE	x	NOMBRE UTILISÉ	=	LONGUEUR ÉQUIVALENTE
 Évent de toiture	24 pi	x	(1)	=	24 pi
 Conduit droit de 12 pi (rond de 6 po)	12 pi	x	(1)	=	12 pi
 Adaptateur de transition rectangulaire à rond*	5 pi	x	(1)	=	5 pi
Les longueurs équivalentes des pièces de conduits sont basées sur des essais réels et représentent les longueurs nécessaires à une bonne ventilation pour n'importe quelle hotte. Longueur totale =					41 pi

***IMPORTANT :** Si vous utilisez un adaptateur de transition, il faudra couper les coins inférieurs du registre aux dimensions de l'adaptateur à l'aide de cisailles pour que le registre puisse bouger.

ÉVACUATION À L'EXTÉRIEUR PAR L'ARRIÈRE (EXEMPLE SEULEMENT)

Le tableau suivant décrit un exemple d'installation de conduit possible.



PIÈCES DE CONDUIT	LONGUEUR ÉQUIVALENTE*	x	NOMBRE UTILISÉ	=	LONGUEUR ÉQUIVALENTE
 Évent mural	40 pi	x	(1)	=	40 pi
 Conduit droit de 3 pi (3-1/4 x 10 po rectangulaire)	3 pi	x	(1)	=	3 pi
 Coude de 90°	10 pi	x	(2)	=	20 pi
Les longueurs équivalentes des pièces de conduits sont basées sur des essais réels et représentent les longueurs nécessaires à une bonne ventilation pour n'importe quelle hotte. Longueur totale =					63 pi

REMARQUE : Dans le cas d'évacuation par l'arrière, vous devez faire attention d'aligner le conduit d'évacuation avec les espaces entre les montants, ou le mur devrait être préparé au moment de la construction en laissant assez d'espace entre les montants pour recevoir le conduit.

1 po = 2,5 cm; 1 pi = 0,3 m

Instructions d'installation

REMARQUE : Si vous devez installer un conduit, la longueur totale du conduit rectangulaire de 3-1/4 x 10 po ou du conduit rond de 6 po **ne doit pas excéder une longueur équivalente de 140 pi.**

L'évacuation vers l'extérieur requiert un CONDUIT D'ÉVACUATION POUR HOTTE.

Lisez attentivement ce qui suit.

REMARQUE : Il est important que l'évacuation soit installée en utilisant le chemin le plus direct et avec le moins de coudes possible. Cela assure une bonne évacuation et aide à prévenir les blocages. **Assurez-vous également que les registres bougent librement et que rien ne bloque les conduits.**

Connexion au conduit :

La sortie d'évacuation de la hotte a été conçue pour être raccordée à un conduit rectangulaire standard de 3-1/4 x 10 po.





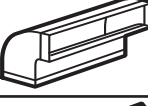



Si vous avez besoin d'un conduit rond, il faut utiliser un adaptateur de transition. **N'utilisez pas un conduit dont le diamètre est inférieur à 6 po.**

Longueur maximale du conduit :

Pour une circulation d'air satisfaisante, la longueur totale du conduit rectangulaire de 3-1/4 x 10 po ou du conduit rond de 6 po **ne doit pas excéder une longueur équivalente à 140 pi.**

Les coudes, adaptateurs de transition, événements

muraux ou de toiture, etc., offrent une résistance supplémentaire à la circulation de l'air et sont équivalents à une section de conduit droit plus longue que leur dimension réelle. Lorsque vous calculez la longueur totale du conduit, ajoutez les longueurs équivalentes de tous les adaptateurs de transition et des coudes, ainsi que la longueur de toutes les sections de conduit droit. Vous trouverez dans le tableau ci-dessous la longueur équivalente approximative en pieds et en mètres de certains types de conduits.

PIÈCES DE CONDUIT	LONGUEUR ÉQUIVALENTE	x	NOMBRE UTILISÉ	=	LONGUEUR ÉQUIVALENTE
 Adaptateur de transition rectangulaire à rond*	5 pi	x	()	=	pi
 Évent mural	40 pi	x	()	=	pi
 Coude de 90°	10 pi	x	()	=	pi
 Coude de 45°	5 pi	x	()	=	pi
 Coude de 90°	25 pi	x	()	=	pi
 Coude de 45°	5 pi	x	()	=	pi
 Évent de toiture	24 pi	x	()	=	pi
 Conduit droit rond de 6 po ou rectangulaire 3-1/4 x 10 po	1 pi	x	()	=	pi
Longueur totale =					pi



* **IMPORTANT :** Si vous utilisez un adaptateur de transition rectangulaire à rond, il faudra couper les coins inférieurs du registre aux dimensions de l'adaptateur à l'aide de cisailles pour que le registre puisse bouger.

Les longueurs équivalentes des pièces de conduits sont basées sur des essais réels et représentent les exigences pour une bonne ventilation de n'importe quelle hotte.

1 po = 2,5 cm; 1 pi = 0,3 m


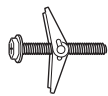


Instructions d'installation

DOMMAGES - EXPÉDITION/INSTALLATION

- Si l'appareil est endommagé durant le transport, retournez-le au magasin où vous l'avez acheté pour le faire réparer ou remplacer.
- Si l'appareil est endommagé par le client, la réparation ou le remplacement reste à la charge du client.
- Si l'appareil est endommagé par l'installateur (s'il ne s'agit pas du client), la réparation ou le remplacement doivent faire l'objet d'une entente entre le client et l'installateur.

PIÈCES COMPRISES

QUINCAILLERIE

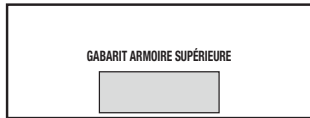
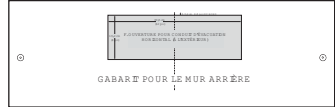
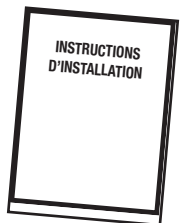
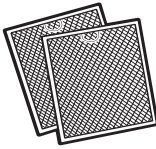
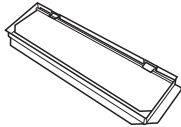
PIÈCE		QUANTITÉ
	Vis à bois (1/4 po x 2 po)	2
	Boulons à ailettes (et écrous à oreilles) (1/4 po x 3 po)	2
	Vis à métaux à auto-alignement (1/4 po - 28 x 2-5/8 po)	2
	Passe-fil en nylon (pour armoires en métal)	1

Vous trouverez les pièces de quincaillerie dans un sachet fourni avec l'appareil. Vérifiez que vous avez bien toutes ces pièces.

REMARQUE : Des pièces supplémentaires sont incluses.

PIÈCES COMPRISES

AUTRES PIÈCES

PIÈCE		QUANTITÉ
	Gabarit pour l'armoire supérieure	1
	Gabarit pour le mur arrière	1
	Instructions d'installation	1
	Filtres à graisse emballés séparément	2
	Adaptateur d'évacuation avec registre	1

1 po = 2,5 cm; 1 pi = 0,3 m

Instructions d'installation

OUTILS NÉCESSAIRES



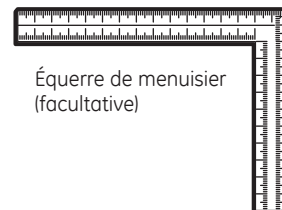
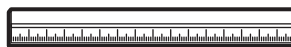
Tournevis Phillips
n° 1 et n° 2



Crayon



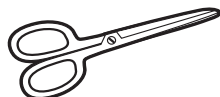
Règle ou mètre-ruban
et règle droite



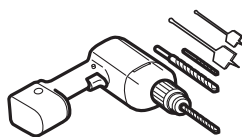
Équerre de menuisier
(facultative)



Cisailles de ferblantier
(pour couper le registre,
si requis)



Ciseaux (pour couper
le gabarit, si nécessaire)



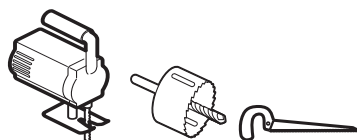
Perceuse électrique avec forets de
3/16 po, 7/16 po, 1/2 po et 5/8 po



Entretoises d'assemblage ou
pièces de bois de récupération,
si requis pour l'espacement avec
l'armoire supérieure (utilisées
pour l'installation sous une
armoire dont le fond est doté
d'un rebord)



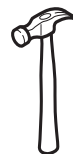
Gants



Scie (sauteuse, trépan ou à guichet)



Localisateur de
montant **ou**



Marteau
(facultatif)



Lunettes de sécurité

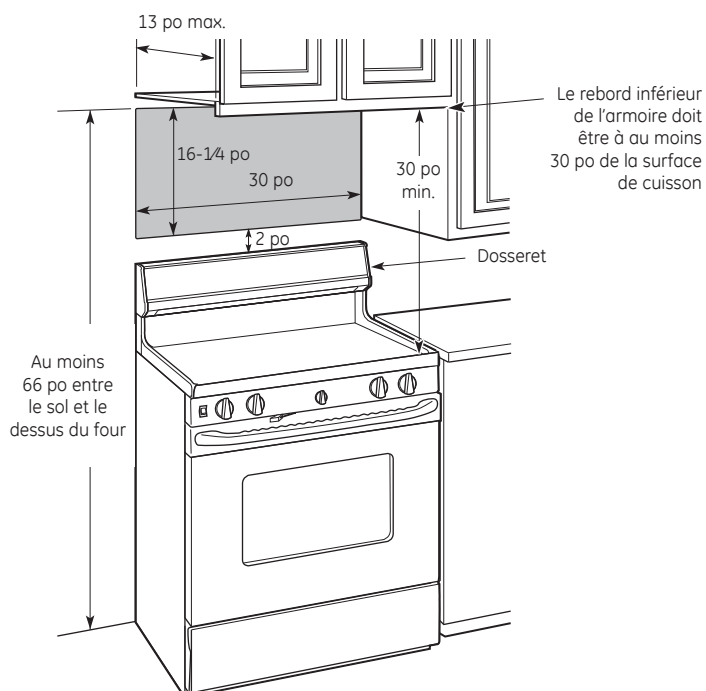


Niveau



Ruban adhésif en toile
et ruban-cache

DÉGAGEMENTS POUR L'INSTALLATION



REMARQUES :

- Il faut un espace d'au moins 30 po entre les armoires, sans obstructions.
- Si l'espace entre les armoires est supérieur à 30 po, un ensemble de panneaux complémentaires peut être utilisé pour combler l'espace entre le four et les armoires. Votre Manuel de l'utilisateur contient le numéro de l'ensemble qui convient à votre modèle.
- Ce four est conçu pour une installation au-dessus de cuisinières de moins de 36 po de largeur.
- Si l'évacuation de l'air de votre four s'effectue vers l'extérieur, consultez la section Évacuation de la hotte pour la préparation du conduit d'évacuation.
- Lorsque vous installez le four sous des armoires dont le fond est lisse et plat, suivez attentivement les instructions indiquées sur le gabarit pour l'armoire supérieure en ce qui concerne le dégagement du cordon d'alimentation.
- **La profondeur maximale de l'armoire au-dessus et à côté de l'appareil est de 13 po.**
- Pour les modèles avec des trous de ventilation vers le haut : Ne laissez pas les armoires ou autres objets obstruer la circulation d'air des trous de l'évent.
- Le produit ne devrait pas être installé au-dessus de toute surface de cuisson ou cuisinière possédant un nombre de BTU supérieur à 66 000.

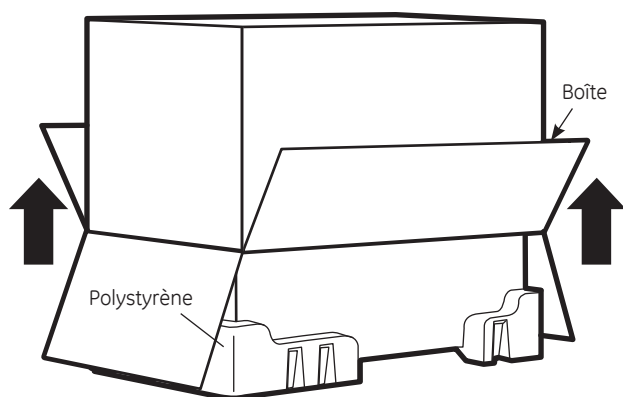
1 po = 2,5 cm; 1 pi = 0,3 m

Instructions d'installation

1 MISE EN PLACE DE LA PLAQUE DE MONTAGE

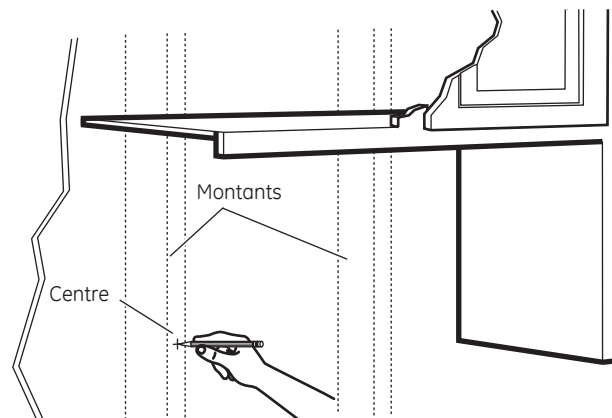
A ENLÈVEMENT DU FOUR DE LA BOÎTE/ ENLÈVEMENT DE LA PLAQUE DE MONTAGE

- 1 Retirez la boîte contenant les instructions d'installation, les filtres, l'adaptateur d'évacuation, le registre et le sachet de quincaillerie. N'enlevez pas la protection en polystyrène du devant du four.
- 2 Repliez complètement les quatre rabats contre les côtés de la boîte. Ensuite, retournez le four et la boîte avec précaution. Le four devrait reposer sur le polystyrène.



- 3 Tirez la boîte vers le haut pour dégager le four.
- 4 La plaque de montage est fixée au dos du four. Retirez les deux vis qui la maintiennent en place. Cette plaque sera utilisée comme gabarit pour le mur arrière et pour le montage du four sur le mur.
- 5 Mettez le four à l'endroit. Enlevez et jetez les sacs en plastique et le polystyrène.
- 6 Ouvrez la porte du four et retirez le bloc de styromousse situé à l'intérieur. Enlevez le ruban adhésif recouvrant le centre du plateau tournant.

B LOCALISATION DES MONTANTS



- 1 Localisez les montants en utilisant une des méthodes suivantes :
 - A. Utilisez un localisateur de montant - dispositif magnétique permettant de localiser les clous.

OU

 - B. Utilisez un marteau pour frapper légèrement sur la surface de montage jusqu'à ce que vous n'entendiez plus un son creux. Cela signifie que vous avez trouvé un montant.
- 2 Après avoir localisé le ou les montants, trouvez-en le centre en sondant le mur à l'aide d'un petit clou afin de trouver les rebords du montant. Puis, faites une marque à mi-chemin entre les deux bords. Le centre de tout montant adjacent doit se trouver à 16 po ou 24 po de cette marque.
- 3 Tracez une ligne verticale au milieu des montants.

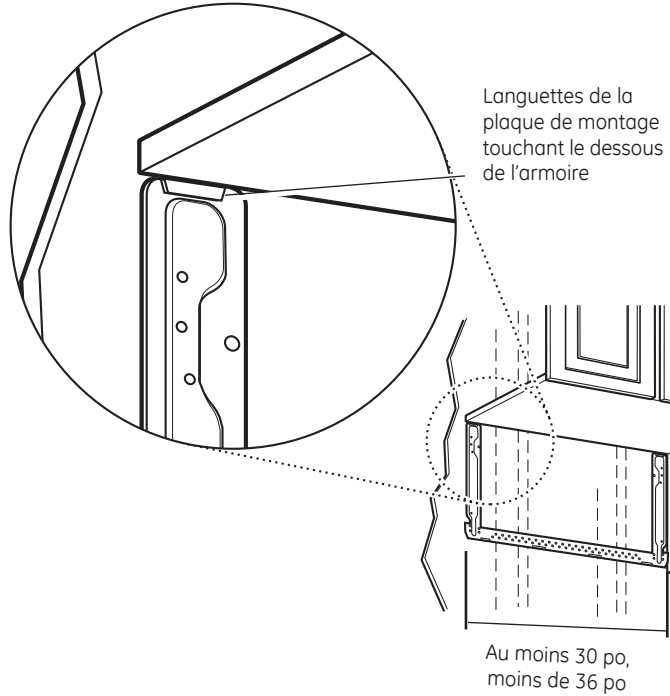
IMPORTANT : Le four à micro-ondes doit être fixé à au moins un montant du mur.

1 po = 2,5 cm; 1 pi = 0,3 m

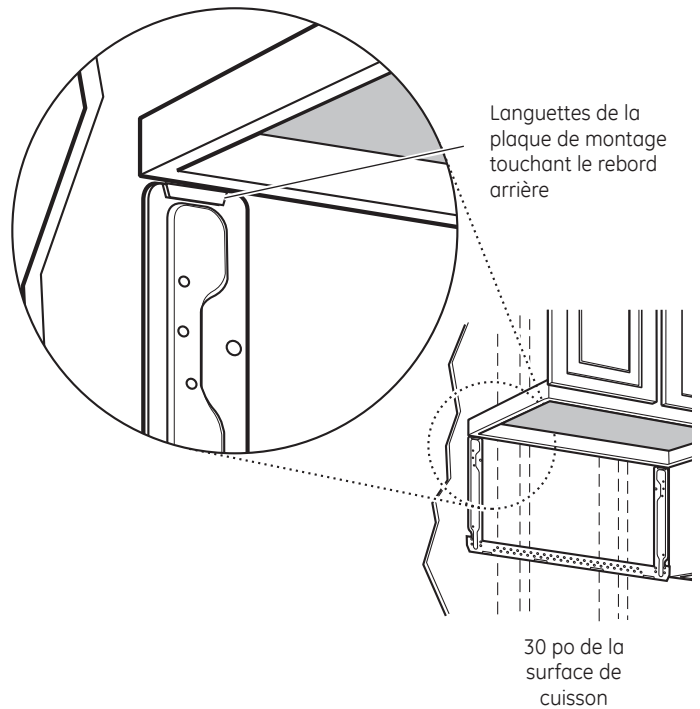
Instructions d'installation

C ÉTABLISSEMENT DE L'EMPLACEMENT DE LA PLAQUE MURALE SOUS VOTRE ARMOIRE

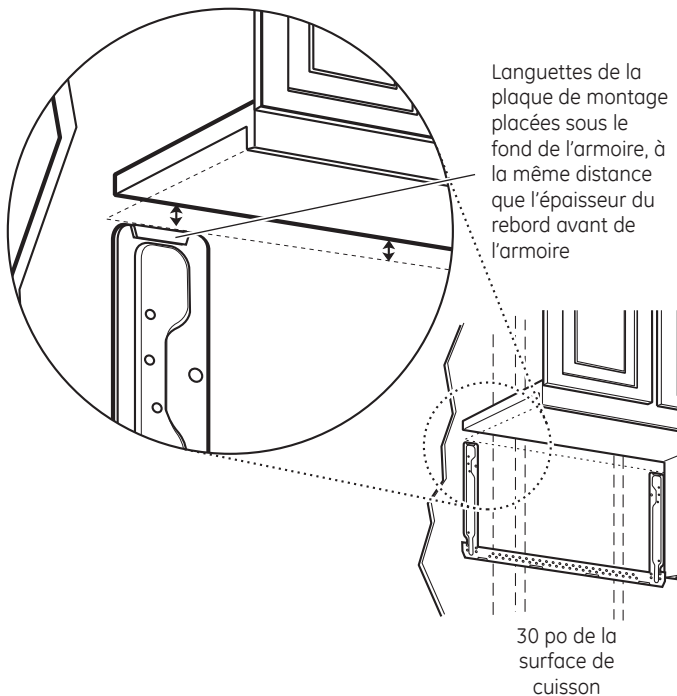
Emplacement de la plaque - sous une armoire à fond plat



Emplacement de la plaque - sous une armoire dont le fond est doté d'un rebord



Emplacement de la plaque - sous une armoire dotée d'un rebord avant



Vos armoires peuvent être dotées d'éléments décoratifs qui gênent l'installation du four. Enlevez l'élément décoratif pour installer convenablement le four et pour le mettre à niveau.

LE FOUR DOIT ÊTRE DE NIVEAU.

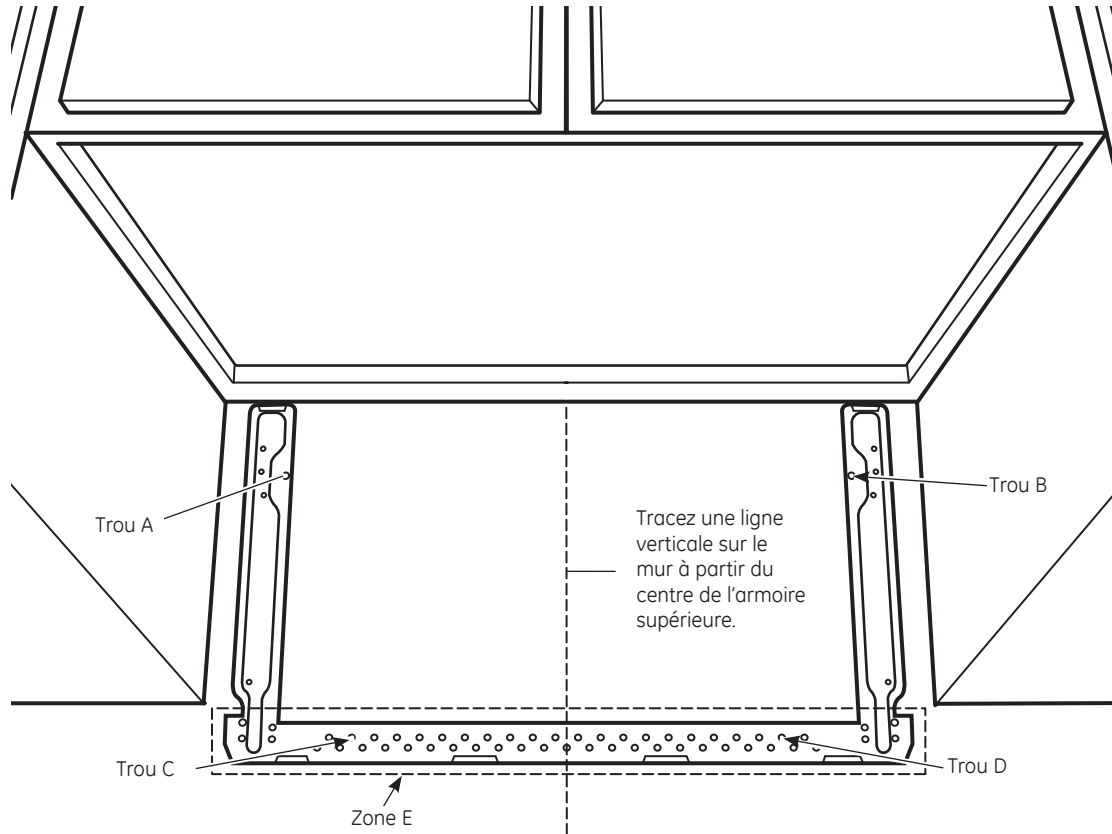
Utilisez un niveau pour vous assurer que le fond de l'armoire est de niveau.

Si les armoires sont dotées uniquement d'un rebord avant, sans rebord sur les côtés ou à l'arrière, installez la plaque de montage plus bas, à la même distance que le rebord avant de l'armoire. Ainsi, le four sera de niveau.

- 1 Mesurez l'épaisseur intérieure du rebord avant de l'armoire.
- 2 Tracez une ligne horizontale sur le mur arrière à la même distance sous le fond de l'armoire que la mesure de l'épaisseur intérieure du rebord avant de l'armoire.
- 3 Pour l'installation sous une armoire dotée uniquement d'un rebord avant, alignez les languettes de montage avec cette ligne horizontale, sans toucher le fond de l'armoire, tel que décrit à l'étape D.

Instructions d'installation

D ALIGNEMENT DE LA PLAQUE MURALE



⚠ ATTENTION :

Portez des gants pour éviter de vous couper les doigts sur les bords coupants.

- 1 Tracez une ligne verticale sur le mur au centre de l'espace de 30 po de large.
- 2 Utilisez la plaque de montage **comme gabarit** pour le mur arrière. Placez la plaque de montage sur le mur, en vous assurant que les languettes **touchent le fond de l'armoire ou la ligne de niveau tracée à l'étape C dans le cas des armoires dotées d'un rebord avant. Alignez l'encoche et la ligne centrale de la plaque de montage sur la ligne centrale tracée sur le mur.**
- 3 Tout en tenant la plaque de montage d'une main, tracez des cercles sur le mur aux points (trous) A, B, C et D (voyez le schéma plus haut/la plaque réelle est pourvue de flèches). **Quatre trous doivent être utilisés pour le montage.**

REMARQUE : Les trous C et D sont situés à l'intérieur de la zone E. Si aucun des trous C et D ne se trouve dans un montant, trouvez un montant à un autre endroit de la zone E et tracez un cinquième cercle aligné sur ce montant. Il est important qu'**au moins une vis à bois soit bien fixée dans un montant** pour soutenir le poids du four.

Mettez la plaque de montage de côté.

⚠ AVERTISSEMENT : Risque de choc électrique. Peut entraîner des blessures ou la mort. Faites attention de ne pas percer le câblage électrique à l'intérieur des murs ou des armoires.

- 4 Percez des trous dans les cercles. S'il y a un montant, percez un trou de 3/16 po pour les vis à bois. S'il n'y a pas de montant, percez un trou de 5/8 po pour les boulons à ailettes.

REMARQUE : N'INSTALLEZ PAS LA PLAQUE DE MONTAGE TOUT DE SUITE.

1 po = 2,5 cm; 1 pi = 0,3 m

Instructions d'installation

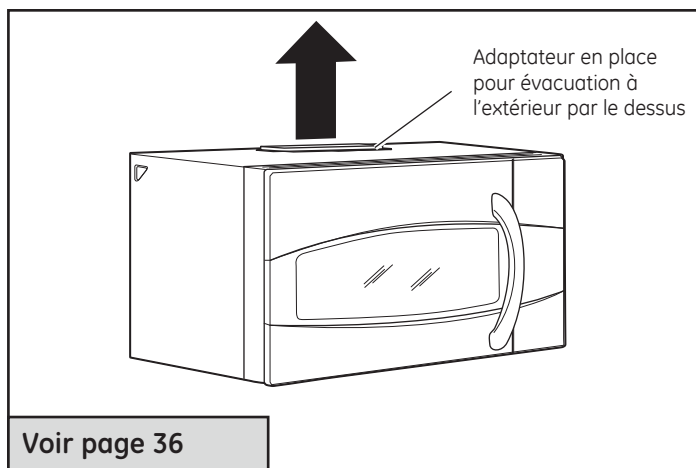
2 TYPES D'INSTALLATION (Choisissez A, B ou C)

Ce four est conçu pour s'adapter aux 3 types d'évacuation suivants :

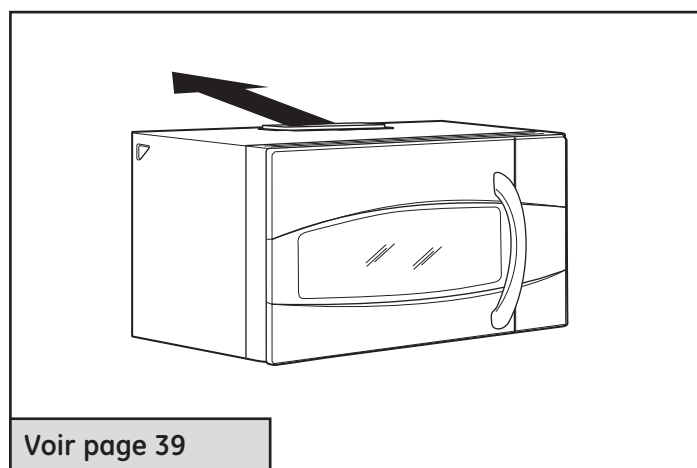
- A. Évacuation à l'extérieur par le dessus (conduit vertical)
- B. Évacuation à l'extérieur par l'arrière (conduit horizontal)
- C. Recyclage d'air (évacuation sans conduit)

REMARQUE : Ce four est expédié assemblé pour évacuation par le dessus. Choisissez le type d'évacuation approprié à votre installation et rendez-vous à cette section.

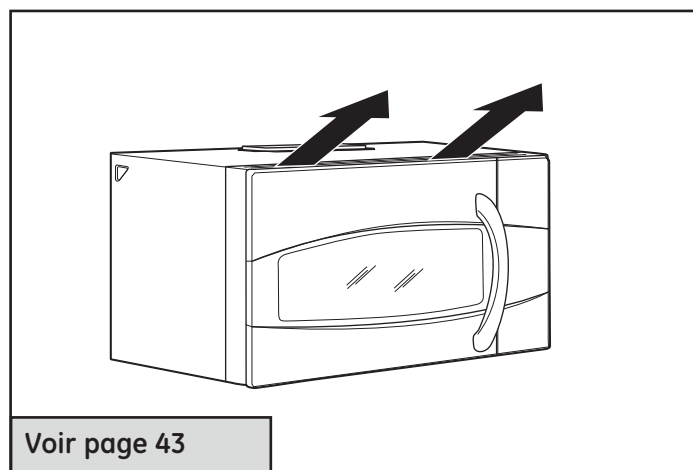
A ÉVACUATION À L'EXTÉRIEUR PAR LE DESSUS (CONDUIT VERTICAL)



B ÉVACUATION À L'EXTÉRIEUR PAR L'ARRIÈRE (CONDUIT HORIZONTAL)



C RECYCLAGE D'AIR (ÉVACUATION SANS CONDUIT)



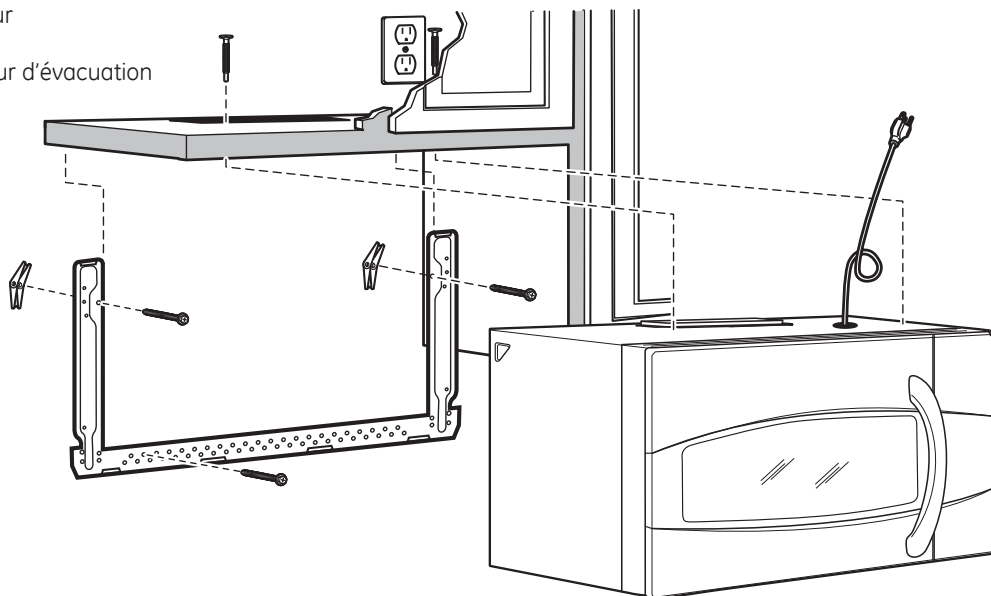
Pour une évacuation sans conduit, il faut utiliser un nécessaire de filtre à charbon. (Consultez votre Manuel de l'utilisateur pour connaître le numéro de cet ensemble).

Instructions d'installation

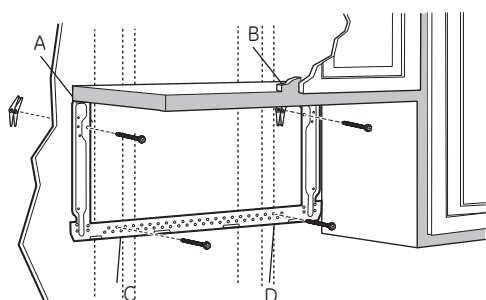
A ÉVACUATION À L'EXTÉRIEUR PAR LE DESSUS (Conduit vertical)

VUE D'ENSEMBLE DE L'INSTALLATION

- A1. Fixation de la plaque de montage au mur
- A2. Préparation de l'armoire supérieure
- A3. Installation de l'adaptateur
- A4. Installation du four
- A5. Ajustement de l'adaptateur d'évacuation
- A6. Connexion au conduit



A1 FIXATION DE LA PLAQUE DE MONTAGE AU MUR

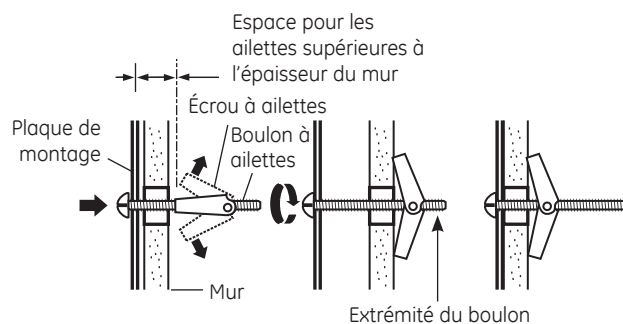


Fixez la plaque au mur à l'aide des boulons à ailettes. Vous devez utiliser au moins une vis à bois pour fixer la plaque à un montant. Les emplacements conseillés sur la plaque de montage sont indiqués par A, B, C et D.

- 1 Enlevez les écrous à ailettes des boulons.
- 2 Insérez les boulons dans la plaque de montage à travers les trous dans le gypse et réassemblez les écrous à ailettes, à $\frac{3}{4}$ po sur chaque boulon.

1 po = 2,5 cm; 1 pi = 0,3 m

Pour utiliser les boulons à ailettes :



- 3 Placez la plaque de montage contre le mur et insérez les écrous à ailettes dans les trous du mur pour fixer la plaque.

REMARQUE : Avant de resserrer les boulons à ailettes et la vis à bois, assurez-vous que les languettes de la plaque de montage touchent le dessous de l'armoire lorsque vous poussez la plaque contre le mur, et que la plaque est bien centrée sous l'armoire.

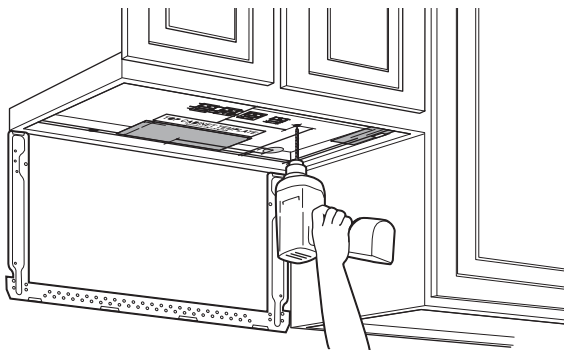
⚠ ATTENTION : Faites attention de ne pas vous pincer les doigts entre l'arrière de la plaque de montage et le mur.

- 4 Serrez tous les boulons. Tirez sur la plaque pour faciliter le serrage des boulons.

Instructions d'installation

A2 UTILISATION DU GABARIT POUR L'ARMOIRE SUPÉRIEURE, POUR LA PRÉPARATION DE L'ARMOIRE SUPÉRIEURE

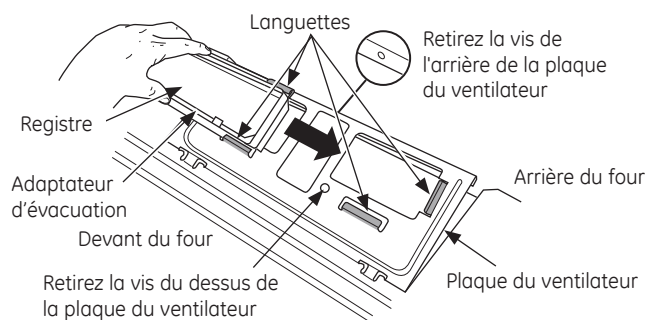
Vous devez percer des trous pour les vis de soutien supérieures, ainsi qu'un trou suffisamment grand pour y faire passer le cordon d'alimentation.



- Lisez les directives sur le GABARIT POUR L'ARMOIRE SUPÉRIEURE.
- Collez-le sous l'armoire supérieure.
- Percez les trous, en suivant les instructions sur le GABARIT POUR L'ARMOIRE SUPÉRIEURE.

⚠ ATTENTION : Portez des lunettes de sécurité lorsque vous percez des trous dans le fond de l'armoire.

A3 MONTAGE ET INSTALLATION DE L'ADAPTATEUR



- 1 Placez le four à l'endroit, le dessus de l'appareil sur le dessus et le devant face à vous.
- 2 Retirez la vis qui se trouve sur l'arrière de la plaque du ventilateur et soulevez cette dernière du micro-ondes.
- 3 Glissez le registre de gauche à droite, dans les languettes, sur la plaque du ventilateur. Le ruban jaune sur le registre devrait être face au revers. Si la plaque du ventilateur n'est pas soulevée du dessus du micro-ondes, le registre ne pourra pas être glissé en position.
- 4 Retirez le ruban jaune du registre. **Assurez-vous que le registre bouge librement avant de monter le four.**

Vous devrez effectuer les ajustements nécessaires pour vous assurer que le conduit du four est bien aligné sur le conduit d'évacuation du domicile après l'installation du four.

A4 INSTALLATION DU FOUR



⚠ ATTENTION : Afin d'éviter les risques de blessure (blessures au dos ou autres dues au poids excessif du four à micro-ondes) et pour ne pas endommager le produit, son installation doit être effectuée par deux personnes.

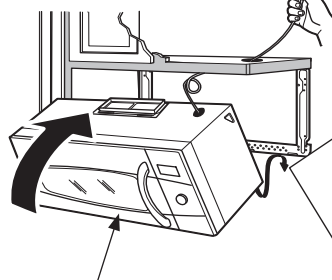
IMPORTANT : Ne saisissez pas ou n'utilisez pas la poignée du four durant l'installation.

⚠ AVERTISSEMENT : Risque de choc électrique. Peut entraîner des blessures ou la mort : Si vous installez l'appareil avec des comptoirs en métal, recouvrez le rebord du trou du cordon d'alimentation avec la bague réservée à cette fin.

IMPORTANT : Si vous n'utilisez pas d'entretoises, des dommages peuvent être causés au boîtier au moment de resserrer les vis.

REMARQUE : Lors de l'installation du four à micro-ondes, faites passer le cordon d'alimentation à travers le trou situé dans le fond de l'armoire supérieure. Gardez-le bien serré durant les étapes 1 à 3. Ne coincez pas le cordon ou ne soulevez pas le four en tirant sur le cordon.

- 1 Soulevez le micro-ondes, penchez-le vers l'avant, et accrochez les fentes situées sur le bord inférieur à l'arrière du four sur les quatre languettes inférieures de la plaque de montage.



- 2 Relevez le devant du four contre le dessous de l'armoire.

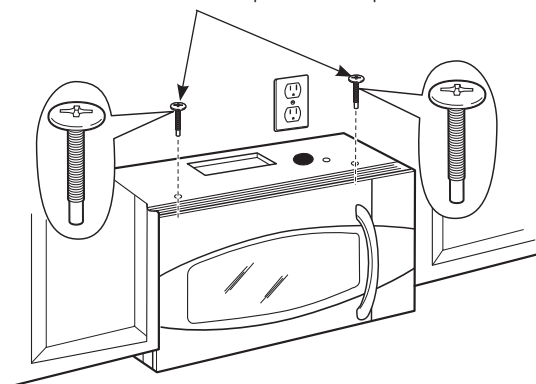
- 3 Insérez une vis à métaux à auto-alignement dans le trou situé au centre de l'armoire supérieure. Fixez temporairement le four en place en faisant faire au moins **deux tours complets** à la vis après que les filets ont été engagés. (Elle sera complètement resserrée plus tard.)

Instructions d'installation

A4 INSTALLATION DU FOUR (suite)

3 Fixez le four à l'armoire supérieure.

4 Insérez deux vis à auto-alignement (1/4 po - 28 x 2-5/8 po) à travers les trous de l'armoire supérieure. Faites faire deux tours complets à chaque vis.



Avant de l'armoire

Étagère inférieure de l'armoire

Entretoise

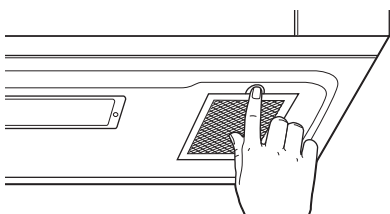
Équivalent à la profondeur du rebord de l'armoire

Cette distance NE PEUT excéder 2 po pour assurer la bonne installation

Vis à auto-alignement

Dessus du four

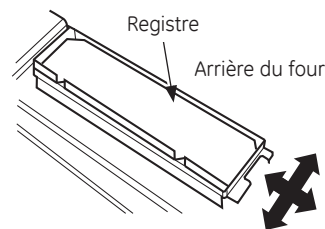
5 Serrez les deux vis les plus à l'extérieur sur le dessus du four. (Tout en serrant les vis, maintenez le four contre le mur et l'armoire supérieure.)



6 Installez les filtres. Consultez le Manuel de l'utilisateur fourni avec le four.

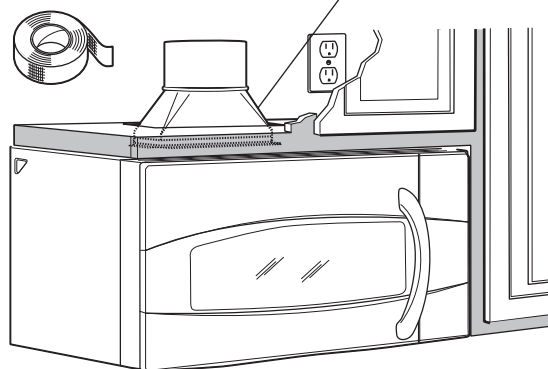
A5 AJUSTEMENT DE L'ADAPTATEUR D'ÉVACUATION

Ouvrez l'armoire supérieure et ajustez l'adaptateur d'évacuation pour le relier au conduit d'évacuation de la résidence.



A6 CONNEXION AU CONDUIT

Conduit du domicile



- 1 Tirez sur le conduit du domicile pour le raccorder à l'adaptateur d'évacuation.
- 2 Scellez les joints du conduit à l'aide de ruban adhésif en toile.

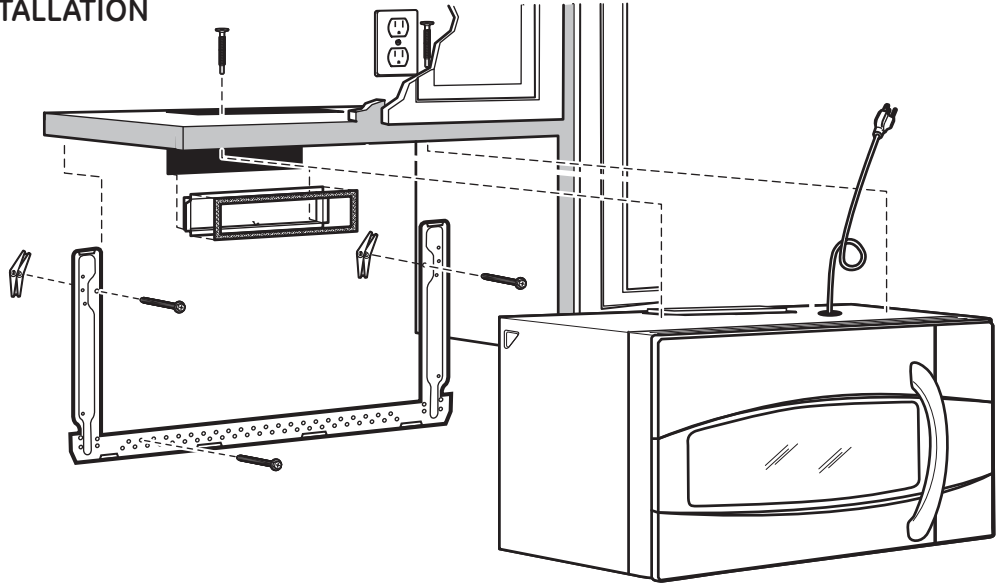
1 po = 2,5 cm; 1 pi = 0,3 m

Instructions d'installation

B ÉVACUATION À L'EXTÉRIEUR PAR L'ARRIÈRE (Conduit horizontal)

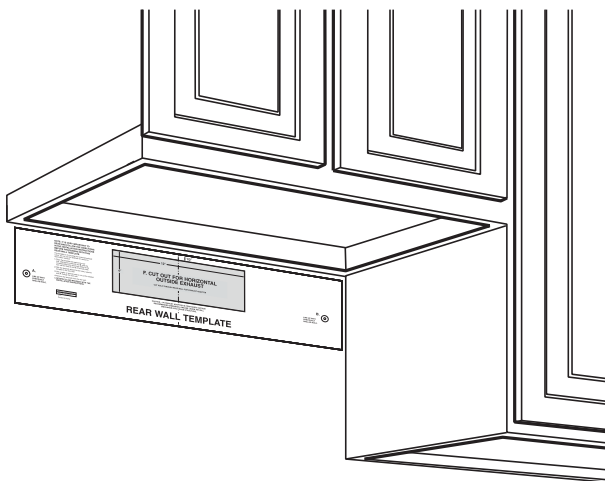
VUE D'ENSEMBLE DE L'INSTALLATION

- B1. Préparation du mur arrière
- B2. Fixation de la plaque de montage au mur
- B3. Préparation de l'armoire supérieure
- B4. Ajustement du ventilateur
- B5. Installation du four



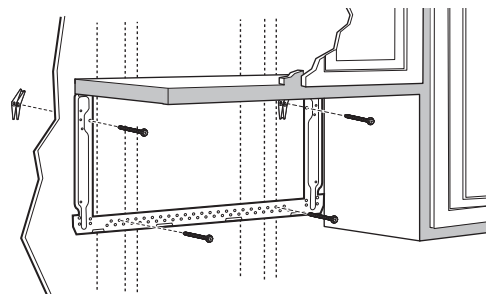
B1 PRÉPARATION DU MUR ARRIÈRE POUR L'ÉVACUATION À L'EXTÉRIEUR PAR L'ARRIÈRE

Vous devez percer une ouverture dans le mur arrière pour l'évacuation à l'extérieur.



- Lisez les instructions figurant sur le GABARIT POUR LE MUR ARRIÈRE.
- Collez-le au mur arrière avec du ruban adhésif, en l'alignant sur les trous préalablement percés pour les trous A et B de la plaque de montage.
- Percez l'ouverture en suivant les instructions sur le GABARIT POUR LE MUR ARRIÈRE.

B2 FIXATION DE LA PLAQUE DE MONTAGE AU MUR



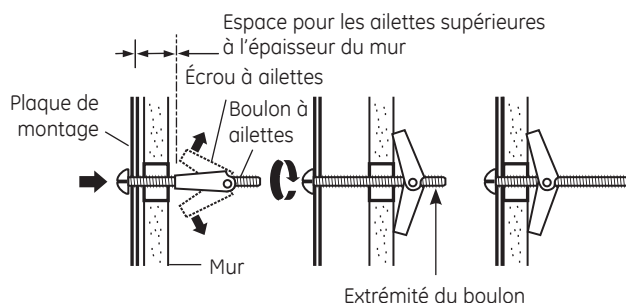
Fixez la plaque au mur à l'aide des boulons à ailettes. Vous devez utiliser au moins une vis à bois pour fixer la plaque à un montant.

- 1 Enlevez les écrous à ailettes des boulons.
- 2 Insérez les boulons dans la plaque de montage à travers les trous dans le gypse et réassemblez les écrous à ailettes, à 3/4 po sur chaque boulon.

1 po = 2,5 cm; 1 pi = 0,3 m

Instructions d'installation

Pour utiliser les boulons à ailettes :



- 3 Placez la plaque de montage contre le mur et insérez les écrous à ailettes dans les trous du mur pour fixer la plaque.

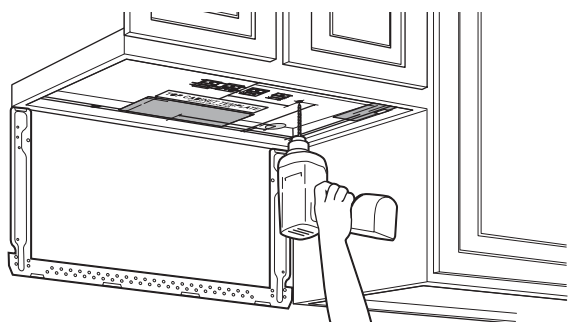
REMARQUE : Avant de resserrer les boulons à ailettes et la vis à bois, assurez-vous que les languettes de la plaque de montage touchent le dessous de l'armoire lorsque vous poussez la plaque contre le mur, et que la plaque est bien centrée sous l'armoire.

⚠ ATTENTION : Faites attention de ne pas vous pincer les doigts entre l'arrière de la plaque de montage et le mur.

- 4 Serrez tous les boulons. Tirez sur la plaque pour faciliter le serrage des boulons.

B3 UTILISATION DU GABARIT POUR L'ARMOIRE SUPÉRIEURE, POUR LA PRÉPARATION DE L'ARMOIRE SUPÉRIEURE

Vous devez percer des trous pour les vis de soutien supérieures, ainsi qu'un trou suffisamment grand pour y faire passer le cordon d'alimentation.

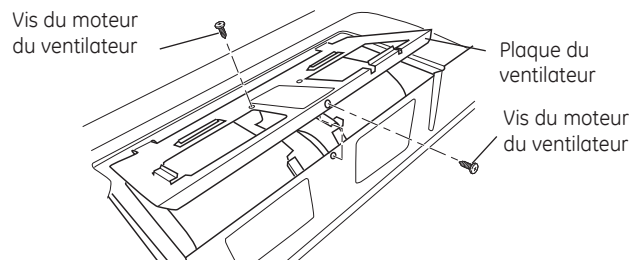


- Lisez les directives sur le GABARIT POUR L'ARMOIRE SUPÉRIEURE.
- Collez-le sous l'armoire supérieure.
- Percez les trous, en suivant les instructions du GABARIT POUR L'ARMOIRE SUPÉRIEURE.

⚠ ATTENTION : Portez des lunettes de sécurité lorsque vous percez des trous dans le fond de l'armoire.

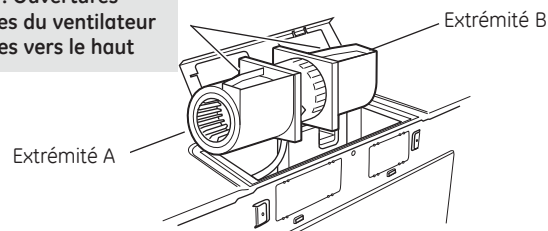
B4 ADAPTATION DU VENTILATEUR POUR L'ÉVACUATION À L'EXTÉRIEUR PAR L'ARRIÈRE

- 1 Enlevez la vis du moteur du ventilateur qui retient la plaque du ventilateur sur le four. Soulevez le devant de la plaque du ventilateur pour installer le ventilateur.

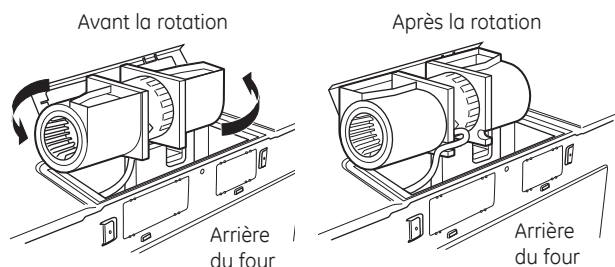


- 2 Enlevez délicatement l'ensemble du ventilateur. Les fils seront assez longs pour vous permettre d'adapter le ventilateur.

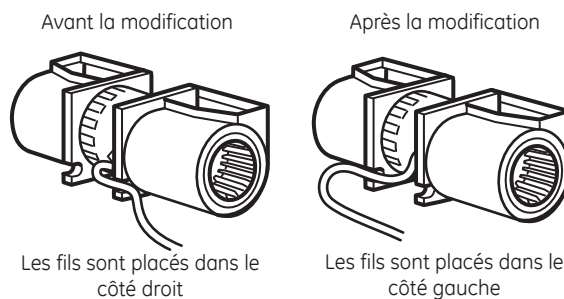
AVANT : Ouvertures des pales du ventilateur orientées vers le haut



- 3 Retournez l'ensemble du ventilateur dans le sens contraire des aiguilles d'une montre sur 180°.

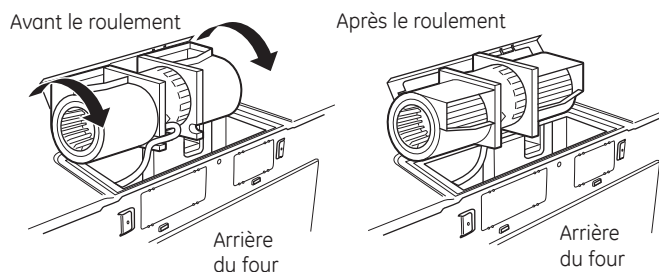


- 4 Enlevez délicatement les fils des encoches. Replacez les fils dans les encoches de l'autre côté de l'ensemble du ventilateur.



Instructions d'installation

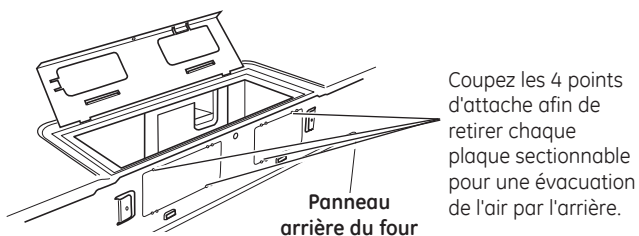
- 5 Tournez le moteur de 90° afin que les ouvertures des pales du ventilateur soient orientées vers l'arrière du four.



- 6 Repérez les deux plaques sectionnables qui se trouvent sur le haut du panneau arrière du four.

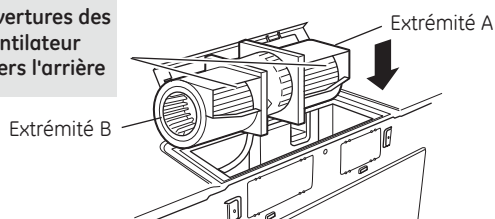
À l'aide des cisailles, coupez prudemment les points d'attache des deux trous juxtaposés (qui retiennent les plaques sectionnables). Coupez les quatre points d'attache sur chacune des plaques sectionnables. Cela permettra à l'air provenant du ventilateur d'être évacué par l'arrière du four.

⚠ ATTENTION : Veillez à éliminer les bords coupants des ouvertures après avoir enlevé les plaques sectionnables.



- 7 Remplacez l'ensemble du ventilateur dans l'ouverture.

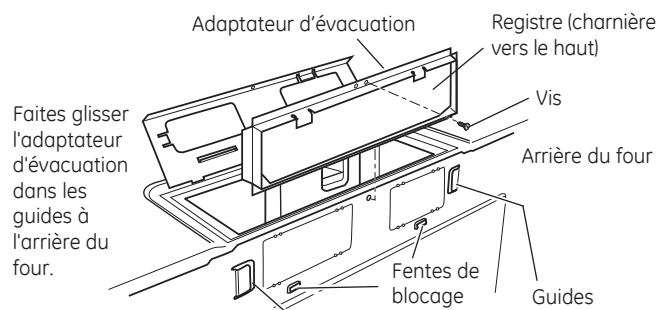
APRÈS : Ouvertures des pales du ventilateur orientées vers l'arrière



⚠ AVERTISSEMENT : Risque de choc électrique. Peut entraîner des blessures ou la mort. Ne tirez pas et n'étirez pas les fils de l'ensemble du ventilateur. Assurez-vous que les fils ne sont pas coincés.

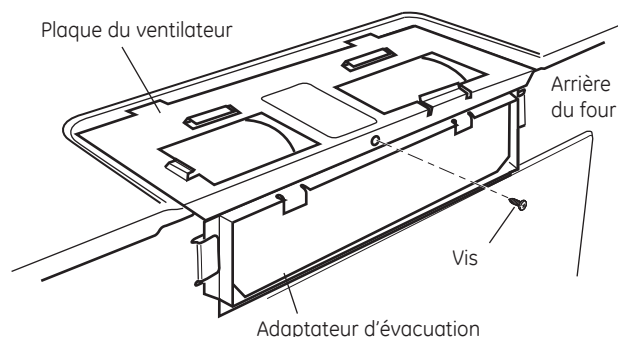
REMARQUE : Les ouvertures de l'ensemble du ventilateur doivent correspondre aux ouvertures de ventilation à l'arrière du four à micro-ondes.

- 8 Fixez l'adaptateur d'évacuation à l'arrière du four en le coulant dans les guides situés au centre, à la partie supérieure arrière du four.



Poussez l'adaptateur d'évacuation vers le bas jusqu'à ce qu'il soit dans les fentes de blocage inférieures. Assurez-vous que la charnière du registre est installée sur le dessus et que le registre bouge librement.

- 9 Fermez la plaque du ventilateur pour qu'elle soit refermée sur la languette supérieure de l'adaptateur d'évacuation. Fixez avec la vis enlevée plus tôt.



Instructions d'installation

B5 INSTALLATION DU FOUR



ATTENTION : Afin d'éviter les risques de blessure (blessures au dos ou autres dues au poids excessif du four à micro-ondes) et pour ne pas endommager le produit, son installation doit être effectuée par deux personnes.

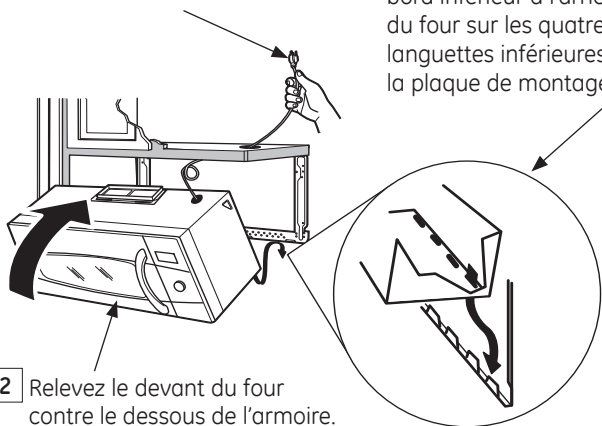
IMPORTANT : Ne saisissez pas ou n'utilisez pas la poignée du four durant l'installation.

AVERTISSEMENT : Risque de choc électrique. Peut entraîner des blessures ou la mort : Si vous installez l'appareil avec des comptoirs en métal, recouvrez le rebord du trou du cordon d'alimentation avec la bague réservée à cette fin.

IMPORTANT : Si vous n'utilisez pas d'entretoises, des dommages peuvent être causés au boîtier au moment de resserrer les vis.

REMARQUE : Lors de l'installation du four à micro-ondes, faites passer le cordon d'alimentation à travers le trou situé dans le fond de l'armoire supérieure. Gardez-le bien serré durant les étapes 1 à 3. Ne coinciez pas le cordon ou ne soulevez pas le four en tirant sur le cordon.

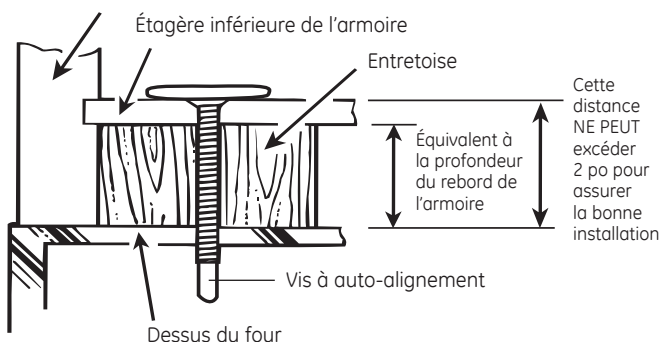
1 Soulevez le micro-ondes, penchez-le vers l'avant, et accrochez les fentes situées sur le bord inférieur à l'arrière du four sur les quatre languettes inférieures de la plaque de montage.



2 Relevez le devant du four contre le dessous de l'armoire.

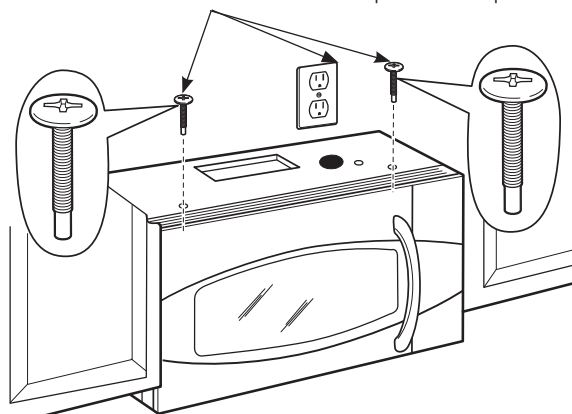
3 Insérez une vis à métaux à auto-alignement dans le trou situé au centre de l'armoire supérieure. Fixez temporairement le four en place en faisant faire au moins **deux tours complets** à la vis après que les filets ont été engagés. (Elle sera complètement resserrée plus tard.)

Avant de l'armoire

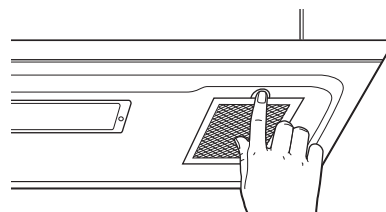


4 Fixez le four à l'armoire supérieure.

5 Insérez deux vis à auto-alignement (1/4 po - 28 x 2-5/8 po) à travers les trous de l'armoire supérieure. Faites faire deux tours complets à chaque vis.



6 Serrez les deux vis les plus à l'extérieur sur le dessus du four. (Tout en serrant les vis, maintenez le four contre le mur et l'armoire supérieure.)



7 Installez les filtres. Consultez le Manuel de l'utilisateur fourni avec le four.

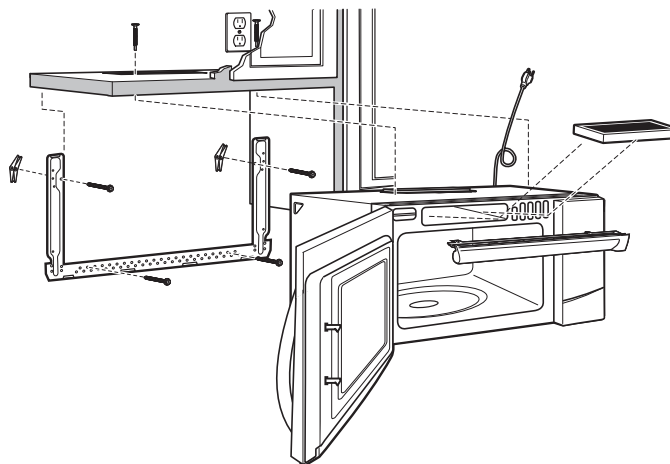
1 po = 2,5 cm; 1 pi = 0,3 m

Instructions d'installation

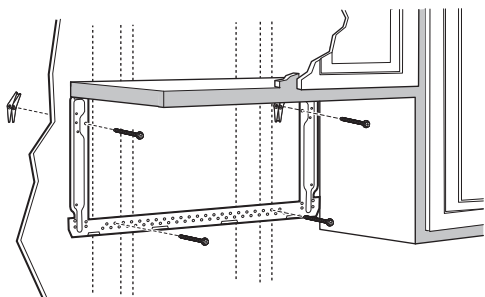
C RECYCLAGE D'AIR (Évacuation sans conduit)

VUE D'ENSEMBLE DE L'INSTALLATION

- C1. Fixation de la plaque de montage au mur
- C2. Préparation de l'armoire supérieure
- C3. Ajustement du ventilateur
- C4. Installation du four
- C5. Installation du filtre à charbon (non fourni)



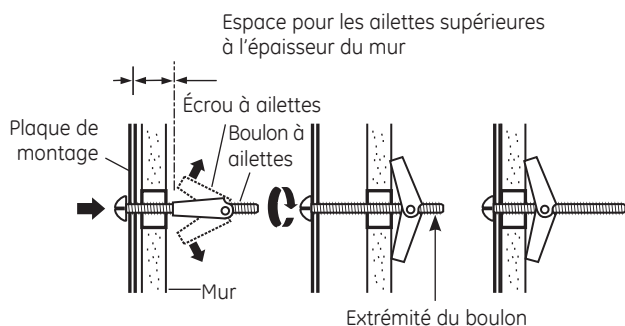
C1 FIXATION DE LA PLAQUE DE MONTAGE AU MUR



Fixez la plaque au mur à l'aide des boulons à ailettes. Vous devez utiliser au moins une vis à bois pour fixer la plaque à un montant.

- 1 Enlevez les écrous à ailettes des boulons.
- 2 Insérez les boulons dans la plaque de montage à travers les trous dans le gypse et réassemblez les écrous à ailettes, à $\frac{3}{4}$ po sur chaque boulon.

Pour utiliser les boulons à ailettes :



- 3 Placez la plaque de montage contre le mur et insérez les écrous à ailettes dans les trous du mur pour fixer la plaque.

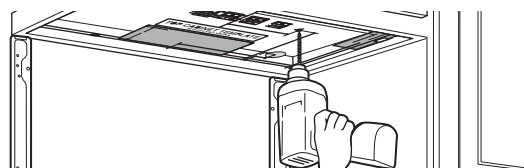
REMARQUE : Avant de resserrer les boulons à ailettes et la vis à bois, assurez-vous que les languettes de la plaque de montage touchent le dessous de l'armoire lorsque vous poussez la plaque contre le mur, et que la plaque est bien centrée sous l'armoire.

⚠ ATTENTION : Faites attention de ne pas vous pincer les doigts entre l'arrière de la plaque de montage et le mur.

- 4 Serrez tous les boulons. Tirez sur la plaque pour faciliter le serrage des boulons.

C2 UTILISATION DU GABARIT POUR L'ARMOIRE SUPÉRIEURE, POUR LA PRÉPARATION DE L'ARMOIRE SUPÉRIEURE

Vous devez percer des trous pour les vis de soutien supérieures, ainsi qu'un trou suffisamment grand pour y faire passer le cordon d'alimentation.



- Lisez les instructions figurant sur le GABARIT POUR L'ARMOIRE SUPÉRIEURE.
- Collez-le sous l'armoire supérieure.
- Percez les trous, en suivant les instructions sur le gabarit POUR L'ARMOIRE SUPÉRIEURE.

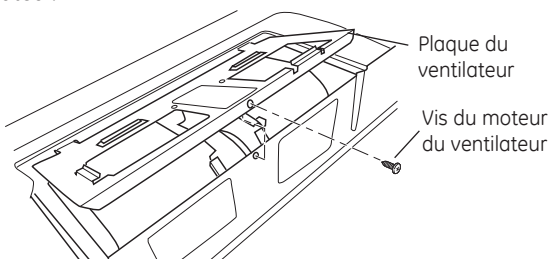
⚠ ATTENTION : Portez des lunettes de sécurité lorsque vous percez des trous dans le fond de l'armoire.

Instructions d'installation

C3 ADAPTATION DU VENTILATEUR POUR LE RECYCLAGE

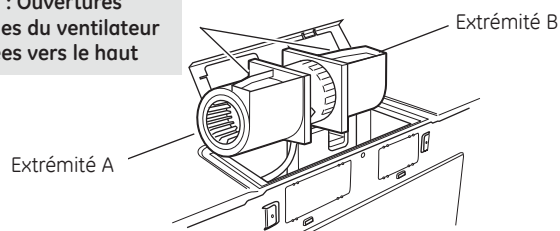
REMARQUE : L'adaptateur d'évacuation et le registre ne sont pas requis sur les modèles à recyclage d'air. Vous pouvez les conserver pour un usage ultérieur possible.

- 1 Enlevez délicatement l'ensemble du ventilateur. Les fils seront assez longs pour vous permettre d'adapter le ventilateur.

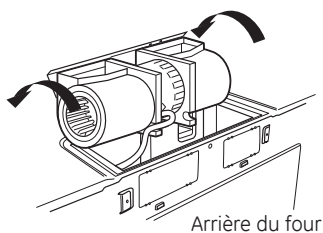


- 2 Enlevez délicatement l'ensemble du ventilateur. Les fils seront assez longs pour vous permettre d'adapter le ventilateur.

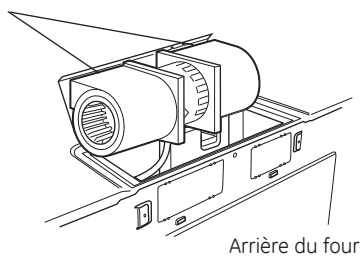
AVANT : Ouvertures des pales du ventilateur orientées vers le haut



- 3 Tournez le moteur de 90° afin que les ouvertures des pales du ventilateur soient orientées vers l'arrière du four.



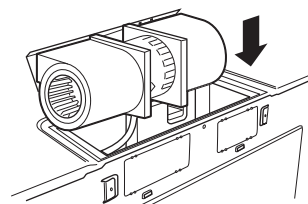
APRÈS : Ouvertures des pales du ventilateur orientées vers l'avant



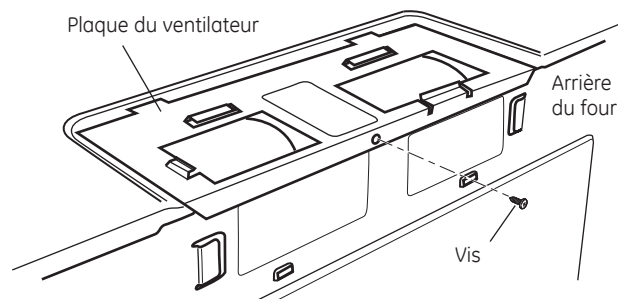
REMARQUE : Assurez-vous que les fils demeurent en place dans les encoches du châssis du moteur.

- 4 Remplacez l'ensemble du ventilateur dans l'ouverture.

⚠ AVERTISSEMENT : Risque de choc électrique. Peut entraîner des blessures ou la mort. Ne tirez pas sur les fils de l'ensemble du ventilateur et ne les étirez pas. Assurez-vous que les fils ne sont pas coincés.



- 5 Refermez la plaque du ventilateur. Fixez avec la vis enlevée plus tôt.



Instructions d'installation

C4 INSTALLATION DU FOUR



ATTENTION : Afin d'éviter les risques de blessure (blessures au dos ou autres dues au poids excessif du four à micro-ondes) et pour ne pas endommager le produit, son installation doit être effectuée par deux personnes.

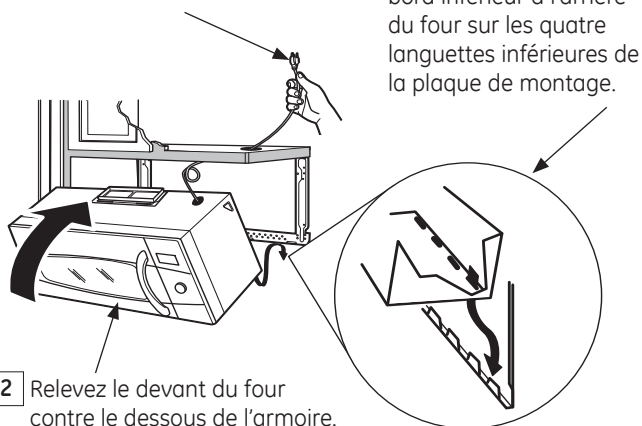
IMPORTANT : Ne saisissez pas ou n'utilisez pas la poignée du four durant l'installation.

AVERTISSEMENT : Risque de choc électrique. Peut entraîner des blessures ou la mort : Si vous installez l'appareil avec des comptoirs en métal, recouvrez le rebord du trou du cordon d'alimentation avec la bague réservée à cette fin.

IMPORTANT : Si vous n'utilisez pas d'entretoises, des dommages peuvent être causés au boîtier au moment de resserrer les vis.

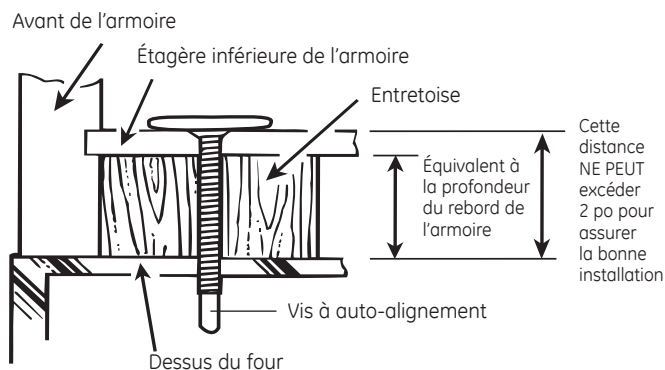
REMARQUE : Lors de l'installation du four à micro-ondes, faites passer le cordon d'alimentation à travers le trou situé dans le fond de l'armoire supérieure. Gardez-le bien serré durant les étapes 1 à 3. Ne coinciez pas le cordon ou ne soulevez pas le four en tirant sur le cordon.

1 Soulevez le micro-ondes, penchez-le vers l'avant, et accrochez les fentes situées sur le bord inférieur à l'arrière du four sur les quatre languettes inférieures de la plaque de montage.

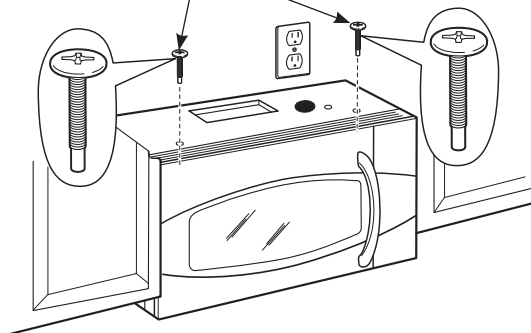


2 Relevez le devant du four contre le dessous de l'armoire.

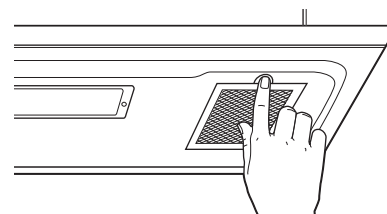
3 Insérez une vis à métaux à auto-alignement dans le trou situé au centre de l'armoire supérieure. Fixez temporairement le four en place en faisant faire au moins **deux tours complets** à la vis après que les filets ont été engagés. (Elle sera complètement resserrée plus tard.)



4 Insérez 2 vis à auto-alignement (1/4 po - 28 x 2-5/8 po) à travers les trous de l'armoire supérieure. Faites faire deux tours complets à chaque vis.



5 Serrez les deux vis les plus à l'extérieur sur le dessus du four. (Tout en serrant les vis, maintenez le four contre le mur et l'armoire supérieure.)



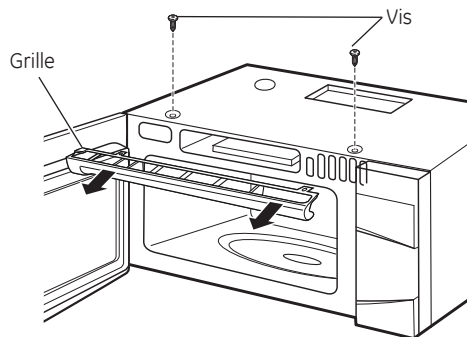
6 Installez les filtres. Consultez le Manuel de l'utilisateur fourni avec le four.

1 po = 2,5 cm; 1 pi = 0,3 m

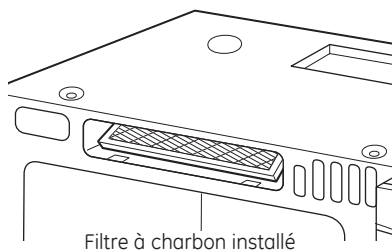
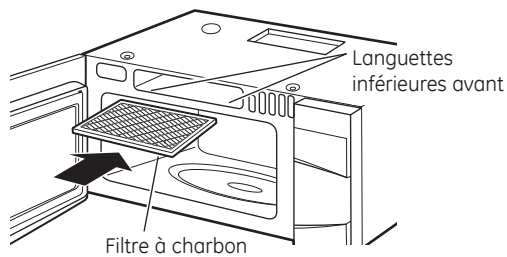
Instructions d'installation

C5 INSTALLATION DU FILTRE À CHARBON

- 1 Retirez les 2 vis sur le dessus du four, juste au-dessus de la grille d'aération, à l'aide d'un tournevis Phillips.
- 2 Ouvrez la porte.
- 3 Enlevez la grille.



- 4 Insérez le filtre dans le four comme indiqué, jusqu'à ce qu'il soit parfaitement en place. Le filtre repose en position inclinée, derrière les languettes inférieures avant. Lorsqu'il est bien installé, le treillis métallique du filtre est visible de l'avant.

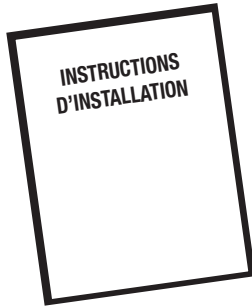


- 5 Remplacez la grille et les 2 vis supérieures.
- 6 Fermez la porte et remplacez la vis du côté gauche.

Instructions d'installation

AVANT D'UTILISER VOTRE FOUR

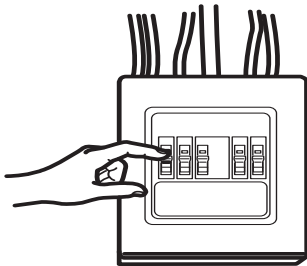
- 1** Assurez-vous que le four a été installé conformément aux instructions.



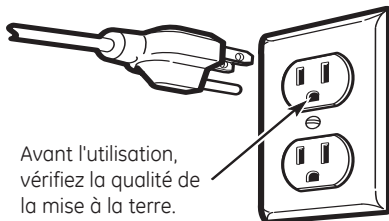
- 2** Enlevez tout le matériel d'emballage du four.

- 3** Installez le plateau tournant et son support à roues dans le four.

- 4** Réinstallez le fusible ou réenclenchez le disjoncteur du panneau de distribution principal.



- 5** **Modèles de 120 V :** Branchez le cordon d'alimentation dans une prise de courant réservée de 15 à 20 A.



Avant l'utilisation, vérifiez la qualité de la mise à la terre.

Si la prise murale est du type standard à deux alvéoles, il est très important de la faire remplacer par une prise à trois alvéoles correctement mise à la terre, en vous adressant à un électricien qualifié.

- 6** Lisez le Manuel de l'utilisateur.



- 7** CONSERVEZ LES INSTRUCTIONS D'INSTALLATION POUR VOTRE INSPECTEUR LOCAL.



