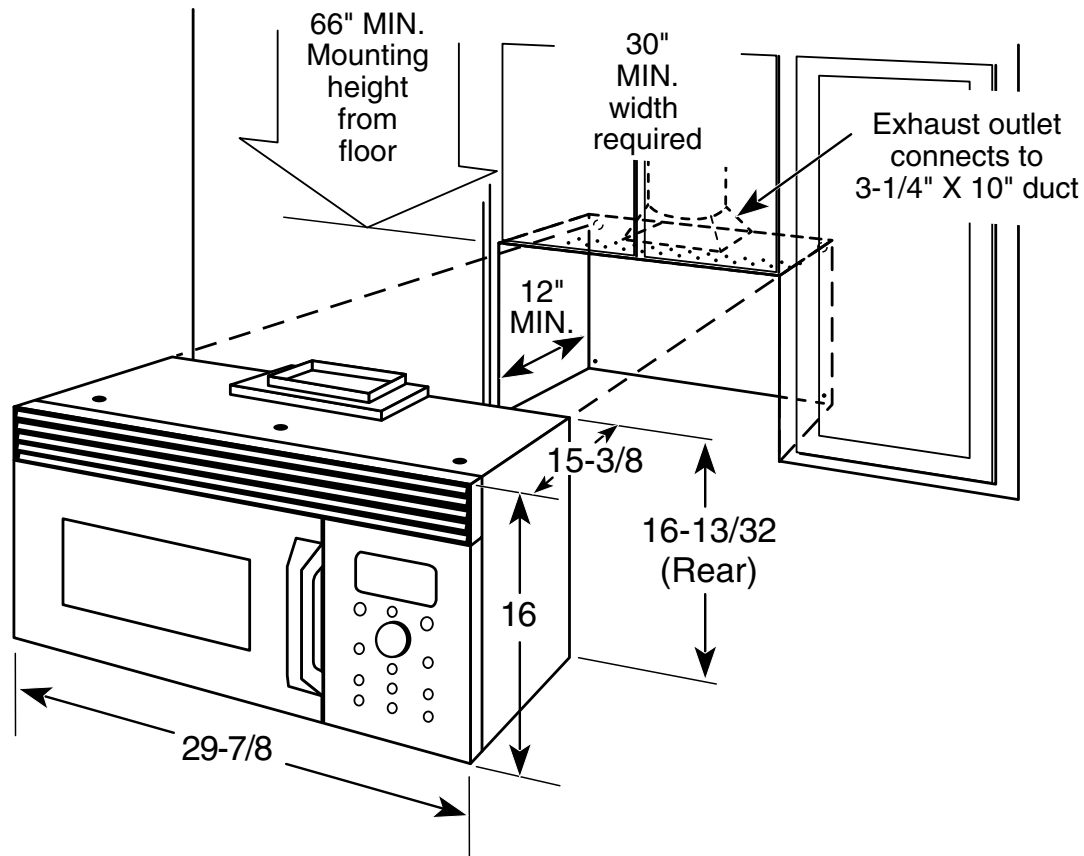




Profile™

SCA1001KSS – Advantium® 120 Above-the-Cooktop Oven

Dimensional Information (in inches)



Important: Please read carefully. For personal safety, this appliance **must** be properly grounded to avoid severe or fatal shock.

Do not, under any circumstances, cut, deform, or remove any of the prongs from the power cord. Do not use with an extension cord.

Installation Information: This information is not intended to be used for installing unit described. Before installing, consult installation instructions packed with product/kit for current dimensional data.

Note: Outside venting is optional. Vent (duct) can be horizontal or vertical.

Specification Revised 9/05
240437



For answers to your Monogram®, GE Profile™ or GE® appliance questions, visit our website at GEAppliances.com or call GE Answer Center® service, 800.626.2000.



Profile™

SCA1001KSS – Advantium® 120 Above-the-Cooktop Oven

Hood Exhaust Duct

Outside ventilation requires a HOOD EXHAUST DUCT. Read the following carefully.

EXHAUST CONNECTION:

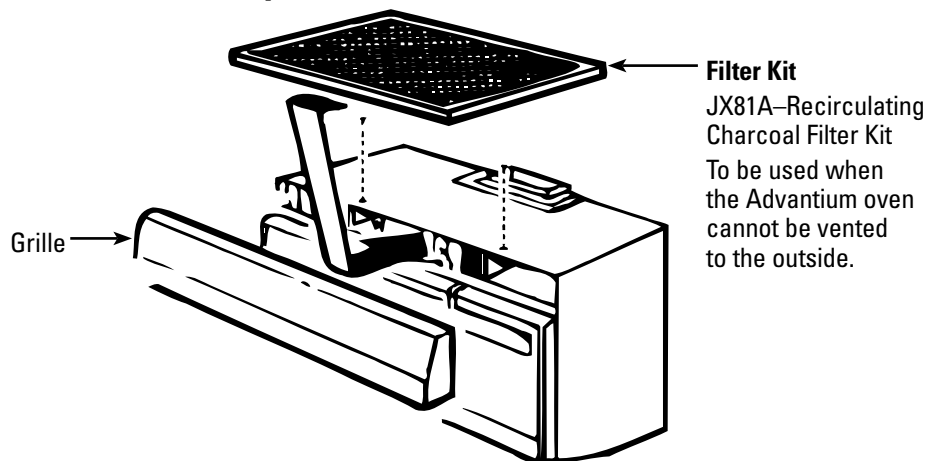
The hood exhaust has been designed to mate with a standard 3-1/4" x 10" rectangular duct.

If a round duct is required, a rectangular-to-round transition adaptor must be used. Do not use less than a 6" diameter duct.

REAR EXHAUST:

If a rear or horizontal exhaust is to be used, care should be taken to align exhaust with the space between studs, or wall should be prepared at the time it is constructed by leaving enough space between the wall studs to accommodate exhaust.

Filter Kit Accessory



MAXIMUM DUCT LENGTH:

For satisfactory air movement, the total duct length of 3-1/4" x 10" rectangular or 6" diameter round duct should not exceed 140 equivalent feet.

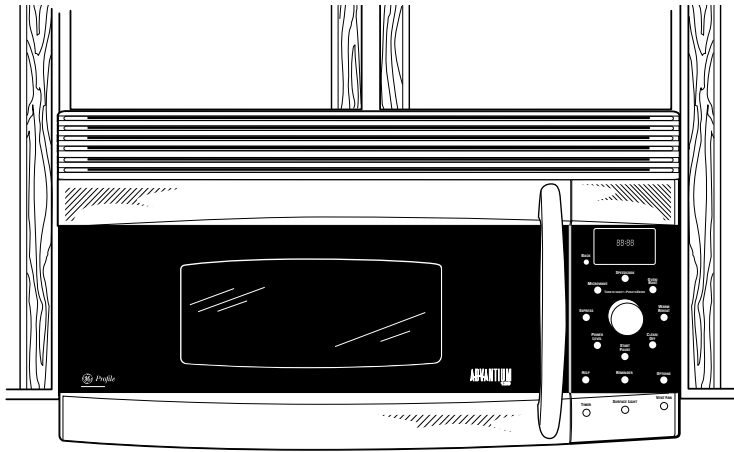
ELBOWS, TRANSITIONS, WALL AND ROOF CAPS, etc., present additional resistance to airflow and are equivalent to a section of straight duct which is longer than their actual physical size. When calculating the total duct length, add the equivalent length of all transitions and adaptors plus the length of all straight duct sections. The chart below shows the approximate feet of equivalent length of some typical ducts.

Duct	Equivalent
A. Rectangular-To-Round Transition Adaptor	5 Ft.
B. Wall Cap	40 Ft.
C. 90° Elbow	10 Ft.
D. 45° Elbow	5 Ft.
E. 90° Elbow	25 Ft.
F. 45° Elbow	5 Ft.
G. Roof Cap	24 Ft.



Profile™

SCA1001KSS – Advantium® 120 Above-the-Cooktop Oven



Features and Benefits

- Speedcook technology – Delivers oven-quality food up to four times faster than a conventional oven
- Multiple cooking modes – Combine four ovens in one with speedcook, traditional, sensor microwave and warming options for a perfect second oven!
- Installation – Allows placement over a countertop, range or cooktop and plugs into any standard 120-volt/15-amp outlet
- Stainless steel interior – Durable surface that cleans quickly with a simple wipe of a towel
- Halogen Cooktop Lighting – Brilliant, natural-looking lighting illuminates every inch of the cooking surface
- Two-Speed, 300-CFM Venting System – Quickly removes smoke and steam from the cooktop
- Sensor cooking controls – Automatically adjust the time and power for perfect cooking results
- Auto/Time Defrost – Automatically defrosts for a specified amount of time
- Help mode – Offers useful cooking tips
- Model SCA1001KSS – Stainless steel