

OWNER'S MANUAL

Drawer Microwave

Para consultar una version en español de este manual de instrucciones, visite nuestro sitio de internet Monogram.com.

ELEVATE EVERYTHING

MONOGRAM

Introduction

Your new Monogram Drawer Microwave makes an eloquent statement of style, convenience and kitchen planning flexibility. Whether you chose it for its purity of design, assiduous attention to detail—or for both of these reasons—you'll find that your Monogram oven's superior blend of form and function will delight you for years to come.

Your Monogram oven was designed to provide the flexibility to blend in with your kitchen cabinetry. Its sleek design can be beautifully integrated into the kitchen.

The information on the following pages will help you operate and maintain your oven properly.

If you have any questions, visit our Website at: **Monogram.com**. In Canada: **Monogram.ca**.

Contents

Consumer Information	2-3	Defrost	14
Safety Instructions	4-7	Reheat	15
Features	8	Beverage Center	15
Controls	9	Melt/Soften/Warm	16
Operating Instructions		Other Features	17, 18
Before you Begin	10	Care and Cleaning	19
Set the Clock	10	Troubleshooting Tips	20
Set the Power Level	10	Things that are Normal	20
Sensor Features	11	Warranty	23
Sensor Popcorn	12	Consumer Support	Back Cover
Sensor Reheat	12		
Sensor Cooking	13		

Consumer Information

Drawer Microwave

Before using your oven

Read this manual carefully. It is intended to help you operate and maintain your new oven properly.

Keep it handy for answers to your questions.

If you don't understand something or need more help, there is a list of toll-free consumer service numbers included in the back section of this manual.

OR

Visit our Website at: **Monogram.com**.
In Canada: **Monogram.ca**.

Write down the model & serial numbers

You'll find them on a label under the oven.

Fill out and return the Consumer Product Registration Card that is packed with this product.

Before sending in the card, please write the numbers here:

Model Number

Serial Number

Use these numbers in any correspondence or service calls concerning your microwave.

If you received a damaged oven

Immediately contact the dealer (or builder) that sold you the oven.

Save time & money

Read this manual. Inside you will find many helpful hints on how to use and maintain your oven properly. Just a little preventive care on your part can save you a great deal of time and money over the life of your oven.

You'll find many answers to common problems in the Before You Call for Service section. If you review our chart of Troubleshooting Tips first, you may not need to call for service at all.

If you need service

To obtain service, see the Consumer Services page in the back of this manual.

We're proud of our service and want you to be pleased. If for some reason you are not happy with the service you receive, here are some steps to follow for further help.

FIRST, contact the people who serviced your appliance. Explain why you are not pleased. In most cases, this will solve the problem.

NEXT, if you are still not pleased, write all the details—including your phone number—to:

Manager, Customer Relations
Monogram
Appliance Park
Louisville, KY 40225

IMPORTANT SAFETY INSTRUCTIONS

Drawer Microwave

PRECAUTIONS TO AVOID POSSIBLE EXPOSURE TO EXCESSIVE MICROWAVE ENERGY

- (a) **Do Not Attempt** to operate this oven with the door open since open-door operation can result in harmful exposure to microwave energy. It is important not to defeat or tamper with the safety interlocks.
- (b) **Do Not Place** any object between the oven front face and the door or allow soil or cleaner residue to accumulate on sealing surfaces.
- (c) **Do Not Operate** the oven if it is damaged. It is particularly important that the oven door close properly and that there is no damage to the:
 - (1) door (bent),
 - (2) hinges and latches (broken or loosened),
 - (3) door seals and sealing surfaces.
- (d) **The Oven Should Not** be adjusted or repaired by anyone except properly qualified service personnel.

WARNING

To reduce the risk of burns, electric shock, fire, injury to persons, or exposure to excessive microwave energy: Use this appliance only for its intended purpose as described in this Owner's Manual.

When using electrical appliances basic safety precautions should be followed, including the following:

- Read all instructions before using this appliance.
- Read and follow the specific precautions in the PRECAUTIONS TO AVOID POSSIBLE EXPOSURE TO EXCESSIVE MICROWAVE ENERGY section above.
- Use this appliance only for its intended use as described in this manual. Do not use corrosive chemicals or vapors in this appliance. This drawer microwave is specifically designed to heat, dry or cook food, and is not intended for laboratory or industrial use.
- Do not attempt to service the microwave oven yourself. If service is desired, this appliance should be serviced only by qualified service personnel. Contact the nearest authorized service facility for examination, repair or adjustment.
- If the appliance light fails, call for service.
- Install or locate this appliance only in accordance with the provided installation instructions.
- This appliance must be grounded. Connect only to a properly grounded outlet. See the *GROUNDING INSTRUCTIONS* section on page 7.
- This microwave oven is UL listed for installation under all gas or electric wall ovens and under the following GE cooktops: ZHU36, ZHU30, ZEU36, ZEU30, ZGU385NSMSS, and ZGU384NSMSS.
- Do not operate this appliance if it has a damaged power cord or plug, if it is not working properly, or if it has been damaged or dropped.
- Keep power cord away from heated surfaces.
- Do not immerse power cord or plug in water.
- Do not store this appliance outdoors. Do not use this product near water—for example, in a wet basement, near a swimming pool, near a sink or in similar locations.
- Do not mount this appliance over a sink.
- Do not operate any heating or cooking appliance beneath this appliance.
- Do not mount unit over or near any portion of a heating or cooking appliance.
- Do not store anything directly on top of the appliance surface when the appliance is in operation.
- Do not cover or block any openings on the appliance.
- To reduce the risk of fire in the oven cavity:
 - Do not overcook food. Carefully attend appliance when paper, plastic or other combustible materials are placed inside the oven while cooking.
 - Remove wire twist-ties and metal handles from paper or plastic containers before placing them in the appliance.
 - Do not use the appliance for storage purposes. Do not leave paper products, cooking utensils or food in the oven when not in use.
 - If materials inside the oven ignite, keep the appliance door closed, turn the appliance off and disconnect the power cord, or shut off power at the fuse or circuit breaker panel. If the door is opened, the fire may spread.
- When cleaning appliance sealing surfaces that come together on closing the drawer, use only mild, nonabrasive soaps or detergents applied with a sponge or soft cloth. See cleaning instructions on page 19.

READ AND SAVE THESE INSTRUCTIONS

IMPORTANT SAFETY INSTRUCTIONS

Drawer Microwave

⚠ WARNING

- Do not clean with metal scouring pads. Pieces can burn off the pad and touch electrical parts involving risk of electric shock.
- Do not climb or sit on the appliance.
- Keep fingers or other objects away from the appliance opening when closing the door.
- Do not put fingers or clothes around the drawer guides when the appliance is opened or closed because they could be caught in the guides.
- Be sure that the food and containers are shorter than the drawer before closing it. You can refer to the height of the side walls of the drawer.
- As with any appliance, close supervision is necessary when used by children
- Be careful when touching the floor, door and walls of the oven which may become hot during use.

ARCING

If you see arcing, press the **Stop/Clear** pad and correct the problem.

Arcing is the microwave term for sparks in the oven. Arcing is caused by:

- Metal or foil touching the side of the oven.
- Plates or dishes with metallic trim or glaze with a metallic sheen.
- Foil not molded to food.
- Metal, such as twist-ties, poultry pins or gold-rimmed dishes, in the microwave.
- Recycled paper towels containing small metal pieces being used in the microwave.

FOODS

- Do not pop popcorn in your drawer microwave unless in a special microwave popcorn accessory or unless you use popcorn labeled for use in microwave ovens.
- Some products such as whole eggs and sealed containers—for example, closed jars—are able to explode and should not be heated in this drawer microwave. Such use of the drawer microwave could result in injury.
- Do not operate the microwave without food inside the oven.
- Foods with unbroken outer “skin” such as potatoes, hot dogs, sausages, tomatoes, apples, chicken livers and other giblets and egg yolks should be pierced to allow steam to escape during cooking.
- Avoid heating baby food in glass jars, even with the lid off. Make sure all infant food is thoroughly cooked. Stir food to distribute the heat evenly. Be careful to prevent scalding when warming formula. The container may feel cooler than the formula really is. Always test the formula before feeding the baby.
- **SUPERHEATED WATER**
Liquids, such as water, coffee or tea are able to be overheated beyond the boiling point without appearing to be boiling. Visible bubbling or boiling when the container is removed from the drawer microwave is not always present. THIS COULD RESULT IN VERY HOT LIQUIDS SUDDENLY BOILING OVER WHEN THE CONTAINER IS DISTURBED OR A SPOON OR OTHER UTENSIL IS INSERTED INTO THE LIQUID.
To reduce the risk of injury to persons:
 - Do not overheat the liquid.
 - Stir the liquid both before and halfway through heating it.
 - Do not use straight-sided container with narrow necks.
 - After heating, allow the container to stand in the drawer microwave for a short time before removing the container.
 - Use extreme care when inserting a spoon or other utensil into the container.
- Do not overcook potatoes. They could dehydrate and catch fire, causing damage to your oven.
- Cook meat and poultry thoroughly—meat to at least an INTERNAL temperature of 160°F and poultry to at least an INTERNAL temperature of 180°F. Cooking to these temperatures usually protects against foodborne illness.

READ AND SAVE THESE INSTRUCTIONS

IMPORTANT SAFETY INSTRUCTIONS

Drawer Microwave

COOKWARE

- Make sure all cookware used in your drawer microwave is suitable for microwaving. Most glass casseroles, cooking dishes, measuring cups, custard cups, pottery or china dinnerware which does not have metallic trim or glaze with a metallic sheen can be used. Some cookware is labeled "suitable for microwaving."
- If you use a meat thermometer while cooking, make sure it is safe for use in microwave ovens.
- Some foam trays (like those that meat is packaged on) have a thin strip of metal embedded in the bottom. When microwaved, the metal can burn the floor of the oven or ignite a paper towel.
- Not all plastic wrap is suitable for use in microwave ovens. Check the package for proper use.
- Paper towels, waxed paper and plastic wrap can be used to cover dishes in order to retain moisture and prevent spattering. Be sure to vent plastic wrap so steam can escape.
- Be careful when opening containers of hot food. Use potholders and direct steam away from face and hands.
- Vent, pierce, or slit containers, pouches, or plastic bags to prevent build-up of pressure.
- Plastic cookware—Plastic cookware designed for microwave cooking is very useful, but should be used carefully. Even microwave-safe plastic may not be as tolerant of overcooking conditions as are glass or ceramic materials and may soften or char if subjected to short periods of overcooking. In longer exposures to overcooking, the food and cookware could ignite.

Follow these guidelines:

1. Use microwave-safe plastics only and use them in strict compliance with the cookware manufacturer's recommendations.
2. Do not microwave empty containers.
3. Do not permit children to use plastic cookware without complete supervision.

READ AND SAVE THESE INSTRUCTIONS

IMPORTANT SAFETY INSTRUCTIONS

Drawer Microwave

GROUNDING INSTRUCTIONS

⚠ WARNING —Improper use of the grounding plug can result in a risk of electric shock.

This appliance must be grounded. In the event of an electrical short circuit, grounding reduces the risk of electric shock by providing an escape wire for the electric current.

This appliance is equipped with a power cord having a grounding wire with a grounding plug. The plug must be plugged into an outlet that is properly installed and grounded.

Consult a qualified electrician or service technician if the GROUNDING INSTRUCTIONS are not completely understood, or if doubt exists as to whether the appliance is properly grounded.

If the outlet is a standard 2-prong wall outlet, it is your personal responsibility and obligation to have it replaced with a properly grounded 3-prong wall outlet.

Do not under any circumstances cut or remove the third (ground) prong from the power cord.

Do not use an extension cord with this appliance. If the power cord is too short, have a qualified electrician or service technician install an outlet near the appliance.

For best operation, plug this appliance into its own electrical outlet to prevent flickering of lights, blowing of fuse or tripping of circuit breaker.

ADAPTER PLUGS

Usage situations where appliance's power cord will be disconnected infrequently.

Because of potential safety hazards under certain conditions, **we strongly recommend against the use of an adapter plug.** However, if you still elect to use an adapter, where local codes permit, a **TEMPORARY CONNECTION** may be made to a properly grounded wall receptacle by the use of a UL listed adapter which is available at most local hardware stores.

The larger slot in the adapter must be aligned with the larger slot in the wall receptacle to provide proper polarity in the connection of the power cord.

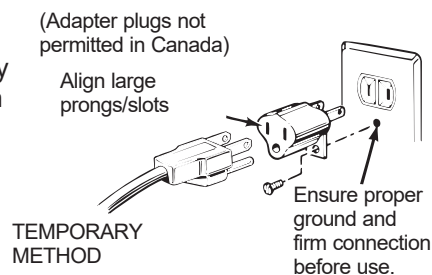
CAUTION: *Attaching the adapter ground terminal to the wall receptacle cover screw does not ground the appliance unless the cover screw is metal, and not insulated, and the wall receptacle is grounded through the house wiring.*

You should have the circuit checked by a qualified electrician to make sure the receptacle is properly grounded.

When disconnecting the power cord from the adapter, always hold the adapter with one hand. If this is not done, the adapter ground terminal is very likely to break with repeated use. Should this happen, **DO NOT USE** the appliance until a proper ground has again been established.

Usage situations where appliance's power cord will be disconnected frequently.

Do not use an adapter plug in these situations because frequent disconnection of the power cord places undue strain on the adapter and leads to eventual failure of the adapter ground terminal. You should have the 2-prong wall receptacle replaced with a 3-prong (grounding) receptacle by a qualified electrician before using the appliance.



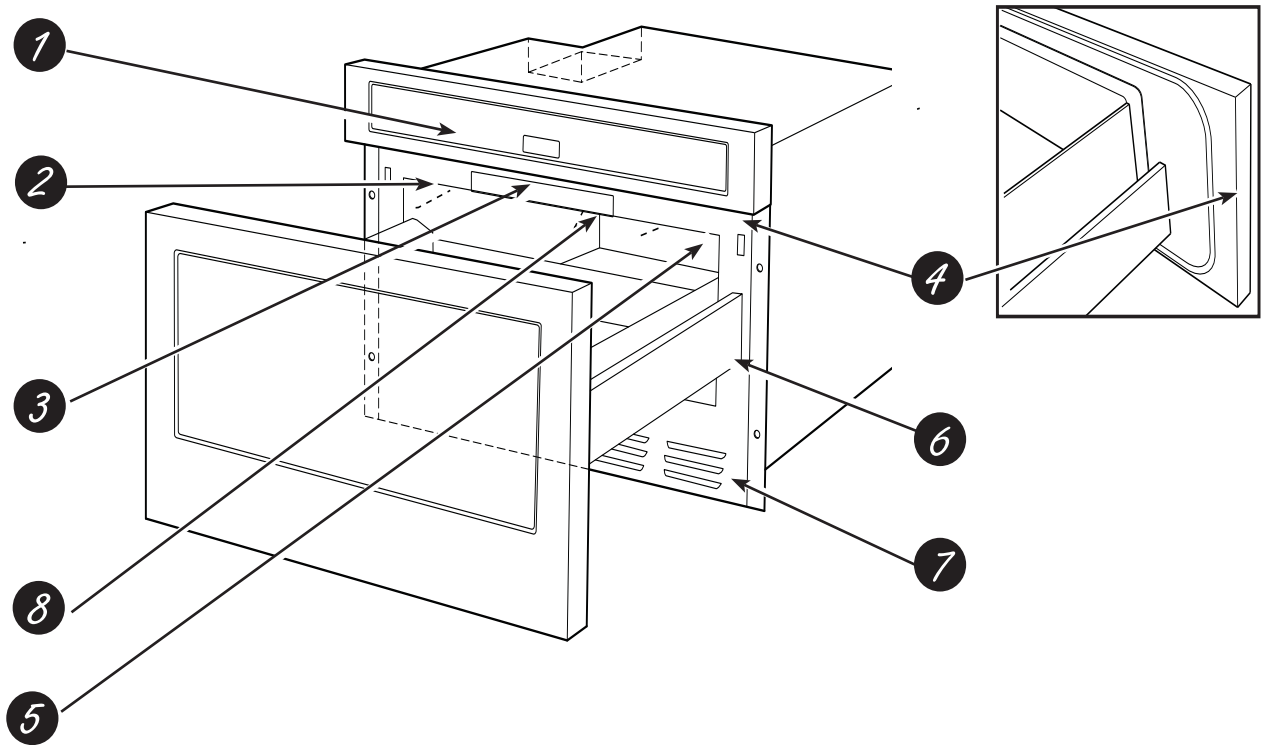
PACEMAKERS

Most pacemakers are shielded from interference from electronic products, including microwaves. However, patients with pacemakers may wish to consult their physicians if they have concerns.

READ AND SAVE THESE INSTRUCTIONS

Throughout this manual, features and appearance may vary from your model.

900 Watts



Features of the Oven

1 Control Panel The door must be securely latched for the microwave to operate.

2 Waveguide cover DO NOT REMOVE.

3 Drawer Microwave Menu Label.

4 Drawer Sealing Surfaces.

5 Drawer Light.

6 Drawer Microwave Guides.

7 Vent.

8 Name Plate.

Open the Drawer Microwave fully. The label is beyond the back wall of the microwave cavity facing up from the flat surface.

Controls

Drawer Microwave

You can microwave by time or with the convenience features. Not all features on all models.



Cooking Controls

Press	See page below for instructions
Melt	See page 16
Beverage Center	See page 15
Sensor Popcorn	See page 12
Sensor Cook	See page 13
Sensor Reheat	See page 12
Soften	See page 16
Warm	See page 16
Keep Warm	See page 17
Defrost	See page 14
Reheat	See page 15

Before Operating

Before operating your new Drawer Microwave make sure you read and understand this Owner's Manual completely. Before the Drawer Microwave can be used, follow these steps:

1. Plug in the Drawer Microwave, "**ENJOY YOUR MICROWAVE TOUCH CLEAR AND TOUCH CLOCK**" will appear in the display.
2. Press **Stop/Clear**.
3. Set the clock.

Set the Clock

1. Press **Timer/Clock** and then press **2**.
2. Touch number pads for correct time of day then press **Timer/Clock** again.

This is a 12 hour clock. If you attempt to enter an incorrect clock time, "**ERROR**" will appear in the display. Touch the **Stop/Clear** pad and re-enter the time.

If the electrical power supply to your Drawer Microwave should be interrupted, the display will intermittently show "**ENJOY YOUR MICRO- WAVE TOUCH CLEAR AND TOUCH CLOCK**" after the power is reinstated. If this occurs during cooking, the program will be erased. The time of day will also be erased. Simply touch **Stop/Clear** pad and reset the clock for the correct time of day.

NOTE: The Drawer Microwave can be programmed with the drawer open except for **START/Extra Minute**.

Timer

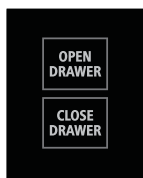
1. Press **Timer/Clock** and then press **1**.
2. Touch number pads for correct time then press **Timer/Clock** again.

To Cancel timer, touch **Stop/Clear**.

Stop/Clear

Press the **Stop/Clear** pad to:

- Erase if you make a mistake during programming.
- Cancel timer.
- Stop the Drawer Microwave temporarily during timed cooking.
- Return the time of day to the display.
- Cancel a program during cooking, touch twice for timed cooking.



Open or Close Drawer Microwave

If you wish to use key operation to open/close the Drawer Microwave, touch the **OPEN DRAWER** or **CLOSE DRAWER** pad on the control panel to open or close the Drawer Microwave.

To close the Drawer Microwave, push the drawer with light pressure so that the drawer will close automatically. In case the Drawer Microwave is stopped in the middle, open or close the drawer manually to full open or close position by gently pulling or pushing with even pressure near the middle of the drawer.

Time Cooking

Your Drawer Microwave can be programmed for 99 minutes 99 seconds (99.99). Always enter the seconds after the minutes, even if they are both zeros.

EXAMPLE: If you want to cook for 5 minutes at 100%:

1. Enter cooking time 5:00
2. Then touch **START/Extra Minute** pad. The power level will automatically be set at 100% unless you change the Power Level.

To Set the Power Level

There are eleven preset power levels. Using lower power levels increases the cooking time, which is recommended for foods such as cheese, milk and long slow cooking of meats. Consult a microwave cookbook or recipes for specific recommendations.

EXAMPLE: If you want to manually defrost for 5 minutes at 30%:

1. Enter **Defrost** time 5:00
2. Then touch **Power Level** pad 8 times.
3. Touch **START/Extra Minute** pad.

Touch Power Level Pad Number of Times for Desired Power	Approximate Percentage of Power	Common Words for Power Levels
Power Level x 1	100%	High
Power Level x 2	90%	
Power Level x 3	80%	
Power Level x 4	70%	Medium High
Power Level x 5	60%	
Power Level x 6	50%	Medium
Power Level x 7	40%	
Power Level x 8	30%	Med Low/Defrost
Power Level x 9	20%	
Power Level x 10	10%	Low
Power Level x 11	0%	

Sensor features.

The Sensor Features detect the increasing humidity released during cooking. The oven automatically adjusts the cooking time to various types and amounts of food.

Do not use the Sensor Features twice in succession on the same food portion—it may result in severely overcooked or burnt food. Be sure to let the oven cool down for 5-10 minutes before starting the next sensor cook.

If food is undercooked after the countdown, use time cooking for additional cooking time.

- The proper containers and covers are essential for best sensor cooking.
- **Always use microwave-safe containers and cover them with lids or vented plastic wrap. Never use tight-sealing plastic covers—** they can prevent steam from escaping and cause food to overcook.
- **Be sure the outside of the cooking container and the inside of the drawer microwave are dry** before placing food in the oven. Beads of moisture turning into steam can mislead the sensor.



Covered



Vented



Dry off dishes so they don't mislead the sensor.

Using Sensor Settings:

- After the Drawer Microwave is plugged in, wait 2 minutes before using any sensor setting.
 - Be sure the exterior of the cooking container and the interior of the Drawer Microwave are dry. Wipe off any moisture with a dry cloth or paper towel.
 - The sensor works with foods at normal storage temperature. For example, popcorn would be at room temperature.
 - Any sensor selection can be programmed with More or Less Time Adjustment. See page 17.
 - More or less food than the quantity listed in the charts should be cooked following the guidelines in any microwave cookbook.
 - During the first part of sensor use, the food name will appear on the display. Do not open the Drawer Microwave or touch **Stop/Clear** during this part of the cycle. The measurement of vapor will be interrupted. If this occurs, an error message will appear. To continue cooking, touch the **Stop/Clear** pad and cook manually.
- When the sensor detects the vapor emitted from the food, the remainder of cooking/reheating time will appear. The Drawer Microwave may be opened when the remaining time appears on the display. At this time, you may stir or season food, as desired.
- Except for Popcorn, if the sensor does not detect vapor properly when cooking other foods, ERROR will be displayed, and the microwave will turn off.
 - Check food temperature after cooking. If additional time is needed, continue to cook manually.
 - Each food has a cooking hint. Touch the **Help** pad when the HELP indicator is lighted in the display

Sensor Popcorn/Sensor Reheat

You can pop popcorn and reheat many foods and you don't need to calculate cooking time or power levels.

Touch **Sensor Reheat** or **Sensor Popcorn** and **START/Extra Minute** pad.

When the sensor detects the vapor emitted from the food, the remainder of cooking/reheating time will appear.

NOTE: The Sensor Popcorn setting has two choices, follow directions in the display to choose desired option.

Food	Amount	Procedure
Sensor Popcorn	Only 1 package at a time	Use only popcorn packaged for microwave. Try several brands to decide which you like. Do not try to pop unpopped kernels.
	2.85 - 3.5 oz Regular/Regular light	Touch Sensor Popcorn pad once.
	1.2 - 1.75 oz Mini/Snack	Touch Sensor Popcorn pad twice.
Sensor Reheat	4 - 36 oz	Place in dish or casserole slightly larger than amount to be reheated. Flatten, if possible. Cover with lid, plastic wrap or wax paper. Use covers such as plastic wrap or lids with larger quantities of more dense foods such as stews. After reheating, stir well, if possible. Re-cover and allow to stand 2 to 3 minutes. Foods should be very hot. If not, continue to heat with variable power and time.

Operating Instructions

Drawer Microwave

Sensor Cooking

1. Touch **Sensor Cook** pad once.
2. See SensorCook Chart below. Select desired food by touching the number pad. Example, press **5** for baked potatoes.

3. Touch **START/Extra Minute** pad.

NOTE: To heat or cook other foods or foods above or below the quantity allowed on the Sensor Cook Chart, cook with timed cook.

Sensor Cook Chart

Number	Food	Amount	Procedure
1	Fresh Vegetables: Quick		Wash and place in casserole. Add no water if vegetables have just been washed. Cover with lid for tender vegetables. Use plastic wrap for tender-crisp vegetables. After cooking, stir, if possible. Let stand, covered, for 2 to 5 minutes.
	Broccoli	.25 -2.0 lbs	
	Brussel Sprouts	.25 -2.0 lbs	
	Cabbage	.25 -2.0 lbs	
	Cauliflower (flowerets)	.25 -2.0 lbs	
	Cauliflower (whole)	1 medium	
	Spinach	.25 -1.0 lbs	
	Zucchini	.25 -2.0 lbs	
Backed Apples	2-4 medium		
2	Fresh Vegetables:		Place in casserole. Add 1 - 4 tablespoons water. Cover with lid for tender vegetables. Use plastic wrap cover for tender-crisp vegetables. After cooking, stir, if possible. Let stand, covered, for 2 to 5 minutes.
	Longer	.25 -1.5 lbs	
	Carrots, sliced	2-4 cobs	
	Corn on the cob	.25 -1.5 lbs	
	Green Beans		
Winter Squash:	.25 -1.5 lbs		
diced	1-2 halves		
halves			
3	Frozen Vegetables	.25 -1.25 lbs	Add no water. Cover with lid or plastic wrap. After cooking, stir and let stand, covered, for 3 minutes.
4	Frozen Entrees	6-17 oz	Use this pad for frozen convenience foods. It will give satisfactory results for most brands. You may wish to try several and choose your favorite. Remove package from outer wrapping and follow package directions for covering. After cooking, let stand, covered, for 1-3 minutes
5	Baked Potatoes	1-6 medium	Pierce. Place on paper-towel-lined Drawer Microwave. After cooking, remove from icrowave, wrap in aluminum foil and let stand 5 to 10 minutes.
6	Sweet Potatoes	1-6 medium	
7	Ground Meat	.25 -2.0 lbs	Use this setting to cook ground beef or turkey as patties or in a casserole to be added to other ingredients. Place patties on a microwave-safe rack and cover with wax paper. Place ground meat in a casserole and cover with wax paper or plastic wrap. When microwave stops, turn patties over or stir meat in casserole to break up large pieces. Re-cover and touch Start/Extra Minute . After cooking, let stand, covered, for 2 to 3 minutes.
8	Fish/Seafood	.25 -2.0 lbs	Arrange in ring around shallow glass dish (roll fillet with edges underneath). Cover with vented plastic wrap. After cooking, let stand, covered for 3 minutes.
9	White Rice	.5 -2.0 cups	Place rice into a deep casserole and add double quantity of water. Cover with lid or plastic wrap. After cooking, stir, cover and let stand 3 to 5 minutes or until all liquid has been absorbed. Rice.....Water.....Size of casserole .5 Cup.....1 Cup.....1.5 quart 1 Cup.....2 Cups.....2 quarts 1.5 Cups.....3 Cups.....2.5 or 3 quarts 2 Cups.....4 Cups.....3 quarts or larger
10	Brown Rice	.5 -2.0 cups	

Defrost

Use this feature to defrost the foods shown in the DEFROST CHART below.

1. Touch Defrost pad. “**SEE LABEL SELECT FOOD NUMBER**” will appear in the display.
2. See Menu Label. Select desired food by touching the number pad. Example: Touch 2 for steaks/chops. “**STEAKS CHOPS ENTER WEIGHT**” will appear in the display.
3. Enter weight by touching number pads.
4. Touch **START/Extra Minute** pad. The oven will stop so that the food can be checked.
5. After the first stage, open the Drawer Microwave. Turn steak over and shield any warm portions. Close the Drawer Microwave. Touch **START/Extra Minute** pad.
6. After the second stage, open the Drawer Microwave. Shield any warm portions. Close the Drawer Microwave. Touch **START/Extra Minute** pad.

7. After defrost cycle ends, cover and let stand as indicated in the chart below.

NOTE:

- Defrost can be programmed with More or Less Time Adjustment. See page 17.
- To defrost other foods or foods above or below the weights allowed on the DEFROST CHART, see MANUAL DEFROST below.
- Check foods when oven signals. After final stage, small sections may still be icy. Let stand to continue thawing. Do not cook until all ice crystals are thawed.
- Shielding prevents cooking from occurring before the center of the food is defrosted. Use small smooth strips of aluminum foil to cover edges and thinner sections of the food.

Defrost Chart

Number	Food	Amount	Procedure
1	Ground Meat	.5 -2.0 lbs	Remove any thawed pieces after each audible signal. Let stand, covered, for 5 to 10 minutes.
2	Steaks/Chops	.5-3.0 lbs	After each audible signal, rearrange and if there are warm or thawed portions, shield with small flat pieces of aluminum foil. Remove any meat or fish that is almost defrosted. Let stand, covered, for 10 to 20 minutes.
3	Boneless Poultry	.5 -2.0 lbs	After each audible signal, if there are warm or thawed portions, rearrange or remove. Let stand, covered, for 10 to 20 minutes.
4	Bone-in Poultry	.5 -3.0 lbs	After each audible signal, rearrange pieces or remove portions should they become warm or thawed. Let stand, covered, for 10 to 20 minutes.
5	Roast	2.0 - 4.0 lbs	Start defrosting with fat side down. After each stage, turn roast over and shield the warm portions with aluminum foil. Let stand, covered, for 30 to 60 minutes.
6	Casserole Soup	1-6 cups	After each audible signal, break apart and remove any defrosted part. At end, stir well and let stand, covered, for 5 to 10 minutes.

Manual Defrost

If the food that you wish to defrost is not listed on the DEFROST CHART or is above or below the limits in the AMOUNT column on the DEFROST CHART, you need to defrost manually.

You can defrost any frozen food, either raw or previously cooked, by using Power Level at 30%. Follow the exact 3-step procedure found under TO SET POWER LEVEL on page 10. Estimate defrosting time and touch Power Level pad eight times for 30% power.

For either raw or previously cooked frozen food the rule of thumb is approximately 4 minutes per pound. For example, defrost 4 minutes for 1 pound of frozen spaghetti sauce.

Always stop the oven periodically to remove or separate the portions that are defrosted. If food is not defrosted at the end of the estimated defrosting time, program the oven in 1 minute increments on Power Level 30% until totally defrosted.

When using plastic containers from the freezer, defrost only long enough to remove from the plastic in order to place in a microwave-safe dish.

Reheat

Reheat automatically computes the correct warming time and microwave power level for foods shown in the chart below.

- 1 Touch **Reheat** pad once. “**SEE LABEL SELECT FOOD NUMBER**” will appear in the display.
- 2 See Menu Label. Select desired food by touching number pad. Example: Touch 2 for frozen rolls or muffins.
- 3 Touch the number pad to select quantity. Example: Touch 2 for 2 rolls or muffins.
- 4 Touch **START/Extra Minute** pad.

NOTE:

- Reheat can be programmed with More or Less Time Adjustment. See page 17.
- To reheat other foods or foods above or below the quantity allowed on the REHEAT CHART, heat manually.

Reheat Chart

Number	Food	Amount	Procedure
1	Fresh rolls/muffins	1-8 pieces	Use this pad to warm rolls, muffins, biscuits, bagels etc. Large items should be considered as 2 or 3 regular size. Arrange on plate; cover with paper towel. For refrigerated rolls or muffins, it may be necessary to double the entered amount to ensure the proper serving temperature. For example, enter quantity of 2 for 1 refrigerated muffin.
2	Frozen rolls/muffins	1-8 pieces	Use this pad to warm frozen rolls, muffins, biscuits, bagels etc. Large items should be considered as 2 or 3 regular size. Arrange on plate; cover with paper towel.

Beverage Center

Beverage Center enables you to reheat coffee or tea to restore to a more suitable drinking temperature or to make instant coffee or tea.

- 1 Touch **Beverage Center** pad once. “**SEE LABEL SELECT FOOD NUMBER**” will appear in the display.
- 2 See Menu Label. Select desired selection by touching number pad. Example: Touch 2 to make coffee.
- 3 Repeating touching same number pad to select quantity. Example: Touch 2 two more times for 2 cups of coffee.
- 4 Touch **START/Extra Minute** pad.

NOTE:

- Beverage Center can be programmed with More or Less Time Adjustment. See page 17.
- Should you attempt to enter more or less than the allowed amount, an error message will appear in the display.

Beverage Center Chart

Number	Food	Amount	Procedure
1	Reheat beverage	.5 - 2.0 cups	This setting for good for restoring cooled beverage to a better drinking temperature. Touch number 1 pad for a 0.5 cup increase per touch. Stir after heating.
2	Hot Water	1-6 cups	Use this setting for heating COLD TAP WATER to a temperature somewhat below the boiling point to make instant coffee or tea. Touch number 2 pad for 1 cup increase per touch. Stir liquid briskly before and after heating to avoid “eruption”.

Melt/Soften/Warm

Melt, Soften and Warm automatically compute the correct heating time and microwave power level for melting, softening and warming foods shown in the chart below.

1. Touch **Melt** pad once. “**SEE LABEL SELECT FOOD NUMBER**” will appear in the display.
2. See Menu Label. Select desired food by touching number pad. Example: Touch 2 for chocolate.
3. Repeating touching same number pad to select quantity.
Example: Touch 2 two more times for 1 square.
4. Touch **START/Extra Minute** pad.

NOTE:

- Melt/Soften/Warm can be programmed with More or Less Time Adjustment. See page 17.
- To melt, soften or warm other food or foods above or below the quantity allowed on the MELT/SOFTEN/WARM CHART, use manual operation.

Melt/Soften/Warm Chart

Button	Number	Food	Amount	Procedure
Melt	1	Butter	2 tbsp .5 cup	Use a Pyrex measuring cup. Cover with plastic wrap. After touching MELT, touch 1 two times for 2 tbsp. After touching MELT, touch 1 three times for .5 cup.
	2	Chocolate	1 cup chips 1 square	After touching MELT, touch 2 two times for 1 cup chips. After touching MELT, touch 2 three times for 1 square.
Soften	1	Ice Cream	1 pint .5 gallon	DO NOT COVER After touching SOFTEN, touch 1 two times for 1 pint. After touching SOFTEN, touch 1 three times for .5 gallon.
	2	Cream Cheese	3 oz. 8 oz.	After touching SOFTEN, touch 2 two times for 3 oz. After touching SOFTEN, touch 2 three times for 8 oz.
Warm	1	Syrup	1/4 cup 1/2 cup	Use a Pyrex measuring cup. DO NOT COVER After touching WARM, touch 1 two times for 1/4 cup. After touching WARM, touch 1 three times for 1/2 cup.
	2	Dessert toppings	1/4 cup 1/2 cup	After touching WARM, touch 2 two times for 1/4 cup. After touching WARM, touch 2 three times for 1/2 cup.

Keep Warm

Keep Warm allows you to keep food warm for up to 30 minutes.

1. Touch **Keep Warm** pad. “**ENTER TIME UP TO 30 MINUTES**” will appear in the display.
2. Enter desired time by touching the number pads.
3. Touch **START/Extra Minute** pad.

The oven will start. The display will show the time remaining and count down. “**KEEP WARM**” will appear in the display.

With Manual Cooking

1. Enter desired cooking time and power level.
2. Touch **Keep Warm** pad.
3. Enter desired warming time up to 30 minutes.
4. Touch **START/Extra Minute** pad.

The operation will start. When the cooking time is complete, a long tone will sound and Keep Warm will start. The display will count down. “**KEEP WARM**” will be displayed intermittently during the count down.

NOTE:

- If you attempt to enter more than 30 minutes for Keep Warm, an error message will appear in the display.
- Keep Warm cannot be programmed with Sensor Popcorn, Sensor Reheat, Sensor Cook, Defrost or Reheat.

Multiple Sequence Cooking

Your Drawer Microwave can be programmed for up to 4 automatic cooking sequences, switching from one power level setting to another automatically.

Sometimes cooking directions tell you to start on one power level and then change to a different power level. Your Drawer Microwave can do this automatically.

1. First enter cooking time. Then touch **Power Level** pad once for 100% cooking or repeat touching **Power Level** pad for a lower power level.
2. Enter second cooking time. Repeat touching **Power Level** pad for desired level. You can follow this procedure up to 4 times. “**TOUCH START**” will appear in the display.
3. Touch **START/Extra Minute** pad.

NOTE:

- If **Power Level** pad is touched once, “**HIGH**” will be displayed.
- If 100% is selected as the final sequence, it is not necessary to touch the **Power Level** pad.
- If you wish to know power level during cooking, simply touch the **Power Level** pad. As long as your finger is touching the **Power Level** pad, the power level will be displayed.
- Keep Warm can be programmed even if 4 cooking sequences have been set.

Extra Minute™

Extra Minute allows you to cook for a minute at 100% by simply touching the **Extra Minute** pad. You can also extend cooking time in multiples of 1 minute by repeatedly touching the Extra Minute pad during manual cooking.

NOTE:

- To use **Extra Minute**, touch pad within 5 minutes after cooking, closing the drawer or touching the **Stop/Clear** pad.
- **Extra Minute** cannot be used with Sensor settings, Reheat or Defrost.

More or Less Time Adjustment

Should you discover that you like any of the Sensor, Reheat or Defrost settings slightly more done, touch the **Power Level** pad once after touching your selection. The display will show “**MORE**” .

For slightly less done, touch the **Power Level** pad twice after touching your selection. The display will show “**LESS**” .

Control Lock

The Control Lock prevents unwanted drawer operation such as by small children. The Drawer Microwave can be set so that the control panel and the automatic door mechanism are deactivated or locked.

TO LOCK

Touch Control Lock pad and hold for 3 seconds. The display shows “**LOCK ON**” .

TO UNLOCK

Touch Control Lock pad and hold for 3 seconds. The display shows “**LOCK OFF**” .

The **Control Lock** is canceled when the electrical power supply to your oven is interrupted. Set the **Control Lock** again when power to the oven is restored.

Setup/Help

If the electrical power supply to your Drawer Microwave should be interrupted, the display will intermittently show “ENJOY YOUR MICRO- WAVE TOUCH CLEAR AND TOUCH CLOCK” after the power is reinstated. If this occurs, the **Setup/Help** option you input will be erased. Simply touch Stop/Clear pad and reset.

Audible Signal Elimination

At the end of a timed cook, beeps will sound. The audible signal can be turned off if you prefer quiet operation.

TO TURN SOUND OFF

1. Touch **Setup/Help** pad. “TOUCH AGAIN” will appear in the display.
2. Touch **Setup/Help** pad again. “SOUND OFF? TOUCH START” will appear in the display.
3. Touch **START/Extra Minute** pad. The display shows “SOUND OFF”.

TO TURN SOUND ON

1. Touch **Setup/Help** pad. “TOUCH AGAIN” will appear in the display.
2. Touch **Setup/Help** pad again. “SOUND ON? TOUCH START” will appear in the display.
3. Touch **START/Extra Minute** pad. The display shows “SOUND ON”.

End of Cooking Reminder

At the end of timed cooking, the microwave will signal every 10 seconds for the first minute; then every 3 minutes until Stop/Clear pad is touched, up to one hour.

TO TURN REMINDER OFF:

1. Touch **Setup/Help** pad three times. The display shows “REMIND SIGNAL OFF ? TOUCH START”.
2. Touch **START/Extra Minute** pad. The display shows

TO TURN REMINDER ON:

To turn reminder signal back on

1. Touch **Setup/Help** pad three times. The display shows “REMIND SIGNAL ON ? TOUCH START”.
2. Touch **START/Extra Minute** pad. The display shows “REMIND SIGNAL ON” .

Auto Start

If you wish to program the Drawer Microwave to begin cooking automatically at a designated time of day, follow this procedure.

1. Touch **Setup/Help** pad 4 times. The display shows “AUTO START TOUCH START”.
2. Touch **START/Extra Minute** pad. ENTER START TIME
3. Enter start time.
4. Touch **Timer/Clock** pad. “ENTER COOKING TIME” will appear in the display.
5. Touch the number pads to enter cooking time. “20.00 TOUCH START OR TOUCH POWER LEVEL” will appear in the display. Touch **Power Level** pad repeatedly until the desired power level is reached. “TOUCH START” will appear in the display.
6. Touch **START/Extra Minute** pad.

Demonstration Mode

TO SELECT DEMO MODE:

1. Touch **Setup/Help** pad five times. The display shows “DEMO ON? HOLD START 3 SEC”.
2. Hold **START/Extra Minute** pad for 3 seconds. The display shows “DEMO ON”.

TO CANCEL DEMO MODE:

1. Touch **Setup/Help** pad five times. The display shows “DEMO OFF ? TOUCH START”.
2. Touch **START/Extra Minute** pad. The display shows “DEMO OFF”.

NOTE:

- Drawer Microwave doesn't heat in Demo Mode.
- Display counts down quickly.

Standby Mode

This microwave will go into standby mode after a period of inactivity. The backlight of the display will automatically dim after 3 minutes if the unit has not been in operation. If the display is in standby mode, simply touch the control panel or open/close the door to return the backlight to maximum brightness.

Exterior

The outside surface is precoated metal and plastic. Clean the outside with mild soap and water; rinse and dry with a soft cloth. Do not use any type of household or abrasive cleaner.

Stainless Steel Surface

The exterior should be wiped often with a soft damp cloth and polished with a soft dry cloth to maintain its beauty. There are also a variety of products designed especially for cleaning and shining the stainless exterior of the oven. We recommend that the cleaner be applied to a soft cloth and then carefully used on the stainless exterior rather than sprayed directly on to it. Follow package directions carefully.

Front side of the Drawer

Wipe the window on both sides with a soft damp cloth to remove any spills or spatters. Metal parts will be easier to maintain if wiped frequently with a soft damp cloth. Avoid the use of spray and other harsh cleaners as they may stain, streak or dull the drawer surface.

Touch Control Panel

If desired, the touch pads may be deactivated before cleaning. See the Control Lock information on page 17 of this manual. Wipe the panel with a cloth dampened slightly with water only. Dry with a soft cloth. Do not scrub or use any sort of chemical cleaners. Close drawer and follow directions on page 17 for turning Control Lock off. Touch **Stop/Clear**.

Interior

Before cleaning the the Drawer Microwave, touch and hold the Control Lock button for 3 seconds to lock the control pad and the automatic door mechanism. The drawer can be locked in either the open or closed position. The display will show **“LOCK ON”**. This will prevent the drawer from accidentally opening or closing during cleaning.

After cleaning, touch and hold the Control Lock button for 3 seconds to turn the lock off. The display will show **“LOCK OFF”**.

Cleaning is easy because no heat is generated to the interior surfaces; therefore, there is no baking and setting of spills or spattering. To clean the interior surfaces, including drawer sealing surfaces, wipe with a soft damp cloth. **DO NOT USE ABRASIVE OR HARSH CLEANERS OR SCOURING PADS.** For heavier soil, use mild soap; wipe clean with a soft damp cloth. Do not use any chemical oven cleaners.

Drawer Microwave Guides

Remove the food crumbs from the Drawer Microwave guides. Wipe with a soft dry cloth in order to keep the Drawer Microwave opening and closing smoothly.

Waveguide Cover

ATTENTION: The waveguide cover, located on the inside top of the Drawer Microwave area, is made from mica, so it requires special care. Keep the waveguide cover clean to assure good microwave performance. Carefully wipe with a soft damp cloth any food spatters from the surface of the cover immediately after they occur. Built-up splashes may overheat and cause smoke or possibly catch fire. Do not remove the waveguide cover.

Odor Removal

Occasionally, a cooking odor may remain in the Drawer Microwave. To remove odor, combine 1 cup water, grated peel and juice of one lemon and several whole cloves in a 2-cup glass microwave-safe measuring cup. Boil for several minutes using 100% power. Leave in the Drawer Microwave until water cools. Wipe interior with a soft cloth.

Troubleshooting tips

Drawer Microwave

Problem	Possible Cause	Solution
Part or all of Drawer Microwave does not operate	Power cord is not completely connected to the electric outlet	Make sure the power cord is tightly connected to the outlet.
	Power outage	Check house lights to be sure. Call your local electric company for service.
	Fuse/circuit breaker at home does not work.	Replace the fuse or reset the circuit breaker.
	Drawer is in Demo Mode	See page 18 for how to cancel Demo Mode.
Food in Drawer Microwave is not heated	No power to the appliance	See solutions above.
	Drawer controls improperly set	Check if the controls have been properly set.
	Drawer in Demo Mode	See page 18 for how to cancel Demo Mode.
Drawer Microwave light does not work	Light bulb loose or burned out	Call for service.
Touch controls will not operate	Control Lock is on	See page 17 for how to unlock.
Display flashes	Power failure	Touch Clear pad and reset the clock. If the Drawer Microwave was in use, you must reset the cooking function.
Steam from the vent	During microwaving, steam may come from the right side of the vent	This is normal.
Shorted Key Error	A specific key shorts out or becomes stuck for more than 60 seconds	“SHORTED KEY CONTACT SERVICE” error appears in display. Call for service.
Food Detect Error	Food has not been inserted before a cooking function was selected after the oven has been sitting idle for more than 5 minutes.	“INSERT FOOD” error message display appears; open drawer and insert food to begin cooking.
	Food has been left in drawer after the finish of cooking for more than 5 minutes	“CHECK FOOD” error message display appears; open drawer and remove food or check food and close drawer to continue cooking.
Display is dark	Display is in standby mode	Touch the control panel or open/close the drawer. See page 18 for STANDBY MODE.

Things That Are Normal With Your Drawer Microwave

- Steam or vapor escaping from around the door.
- Light reflection around door or outer case.
- Dimming oven light and change in the blower sound at power levels other than high.
- Dull thumping sound while oven is operating.
- TV/radio interference might be noticed while using the microwave. Similar to the interference caused by other small appliances, it does not indicate a problem with the microwave. Plug the microwave into a different electrical circuit, move the radio or TV as far away from the microwave as possible, or check the position and signal of the TV/radio antenna.

Notes

Drawer Microwave

YOUR MONOGRAM DRAWER MICROWAVE WARRANTY

Staple your receipt here. Proof of the original purchase date is needed to obtain service under the warranty.

WHAT IS COVERED

From the Date of the Original Purchase

LIMITED TWO-YEAR WARRANTY

For two years from the date of the original purchase, Monogram will replace *any part of the microwave oven* which fails due to a defect in materials or workmanship. During this limited two-year warranty, Monogram will also provide, free of charge, all labor and related service to replace the defective part.

THIRD THROUGH FIFTH-YEAR LIMITED WARRANTY

For the third through fifth years from the date of the original purchase, Monogram will replace the magnetron tube, if the magnetron tube fails due to a defect in materials or workmanship. During this third through fifth-year limited warranty, you will be responsible for any labor or in-home service costs.

All warranty service will be provided by our Factory Service Centers or by our authorized Monogram Customer Care servicers during normal working hours.

Should your appliance need service, during warranty period or beyond, in the U.S.A call 800.444.1845. In Canada: 888.880.3030.

Please have serial and model numbers available when calling for service.

WHAT IS NOT COVERED

- Service trips to your home to teach you how to use the product.
- Improper installation, delivery or maintenance. If you have an installation problem, contact your dealer or installer. You are responsible for providing adequate electrical, exhausting, and other connecting facilities.
- Failure of the product or damage to the product if it is abused, misused (for example, cavity arcing from wire rack or metal/foil), or used for other than the intended purpose or used commercially.
- Replacement of house fuses or resetting of circuit breakers.
- Damage to the product caused by accident, fire, floods or acts of God.
- Incidental or consequential damage caused by possible defects with this appliance.
- Damage caused after delivery.
- Product not accessible to provide required service.
- Service to repair or replace light bulbs, except for LED lamps.
- Damage to the finish, such as surface rust, tarnish, or small blemishes not reported within 48 hrs of delivery.

EXCLUSION OF IMPLIED WARRANTIES
Your sole and exclusive remedy is product repair as provided in this Limited Warranty. Any implied warranties, including the implied warranties of merchantability or fitness for a particular purpose, are limited to one year or the shortest period allowed by law.

This warranty is extended to the original purchaser and any succeeding owner for products purchased for home use within the USA. If the product is located in an area where service by a Monogram Authorized Servicer is not available, you may be responsible for a trip charge or you may be required to bring the product to an Authorized Monogram Service Location for service. In Alaska, the warranty excludes the service calls to your home.

Some states do not allow the exclusion or limitation of incidental or consequential damages, so the above limitation or exclusion may not apply to you. This warranty gives you specific legal rights, and you may also have other rights which vary from state to state. To know what your legal rights are in your state, consult your local or state consumer affairs office or your state's Attorney General.

Extended Warranties: Purchase a Monogram extended warranty and learn about special discounts that are available while your warranty is still in effect. Visit **Monogram.com** or call 800.444.1845 to learn more on how to purchase.

Warrantor: GE Appliances, a Haier company

Warrantor in Canada: MC Commercial, Burlington, ON, L7R 5B6

With the purchase of your new Monogram appliance, receive the assurance that if you ever need information or assistance from Monogram, we will be there. All you have to do is call!

Register Your Appliance

Register your new appliance on-line at your convenience! Timely product registration will allow for enhanced communication and prompt service under the terms of your warranty, should the need arise. You may also mail in the pre-printed registration card included in the packing material.

In the US: **Monogram.com**

In Canada: **Prodsupport.mabe.ca/crm/Products/ProductRegistration.aspx**

Schedule Service

Expert Monogram repair service is only one step away from your door. Get on-line and schedule your service at your convenience any day of the year.

In the US: **Monogram.com** or call 800.444.1845 during normal business hours.

In Canada: **Monogram.ca** or call 888.880.3030

Extended Warranties

Purchase a Monogram extended warranty and learn about special discounts that are available while your warranty is still in effect.

In the US: **Monogram.com** or call 800.444.1845 during normal business hours.

In Canada: **Monogram.ca** or call 800.290.9029

Parts and Accessories

Individuals qualified to service their own appliances can have parts or accessories sent directly to their homes (VISA, MasterCard and Discover cards are accepted). Order on-line today 24 hours every day.

In the US: **Monogram.com** or by phone at 800.444.1845 during normal business hours.

Instructions contained in this manual cover procedures to be performed by any user. Other servicing generally should be referred to qualified service personnel. Caution must be exercised, since improper servicing may cause unsafe operation.

Customers in Canada should consult the nearest MC Commercial service center, visit our website at **Monogram.ca** or call 888.880.3030.

MANUAL DEL PROPIETARIO

Microondas de Cajón

ELEVATE EVERYTHING

MONOGRAM

Introducción

Su nuevo Microondas de Cajón Monogram realiza una elocuente afirmación de estilo, conveniencia y flexibilidad de planificación en la cocina. Si lo elige en base a su pureza de diseño, atención asidua al detalle (o por ambas razones), observará que la combinación superior de forma y función de su horno Monogram lo deleitará en los años venideros.

Su horno Monogram fue diseñado para brindarle la flexibilidad de ser combinado con el resto de los gabinetes de su cocina.

Sus diseño liso puede ser integrado de manera bella en la cocina.

La información de las siguientes páginas le ayudará a realizar una correcta utilización y mantenimiento de su refrigerador.

Ante cualquier otra consulta, visite nuestro sitio Web en: **monogram.com**

Contenidos

Instrucciones Importantes de Seguridad.....	3-7	Cocción con Sensor	13
Funciones	8	Descongelar	14
Controles	9	Recalentar	15
Instrucciones de Operación		Centro de Bebidas.....	15
Antes de Comenzar.....	10	Derretir/ Ablandar/ Calentar	16
Configuración del Reloj	10	Otras Funciones	17, 18
Configuración del Nivel de Potencia	10	Cuidado y Limpieza.....	19
Acerca de las Funciones del Sensor	11	Consejos para la Solución	20
Sensor de Palomitas de Maíz	12	Cosas que son Normales.....	20
Recalentar con Sensor.....	12	Garantía.....	23
		Soporte Para el Consumidor.....	Contratapa

Antes de usar su horno

Lea este manual cuidadosamente. La finalidad del mismo es ayudarle a realizar un uso y mantenimiento correctos de su nuevo horno.

Téngalo a mano para encontrar respuestas a sus preguntas.

Si no entiende algo o necesita más ayuda, en la sección trasera de este manual figura un listado de números gratuitos del servicio para el consumidor.

O

Visite nuestro sitio web en: **monogram.com**

Escriba los números de modelo y serie

Los encontrará en una etiqueta debajo del horno.

Complete y entregue la Tarjeta de Registro del Producto del Consumidor embalada con este producto.

Antes de enviar la tarjeta, escriba estos números aquí:

Número de Modelo

Número de Serie

Use estos números en cualquier correspondencia o llamadas al servicio técnico relacionadas con su microondas.

Si recibió un horno dañado

De forma inmediata, comuníquese con el comerciante (o fabricante) que le vendió el horno.

Ahorre tiempo y dinero

Lea este manual. Dentro del mismo encontrará muchas sugerencias útiles sobre cómo usar y mantener su horno de forma adecuada. Sólo un poco de cuidado preventivo de su parte puede ahorrarle una gran cantidad de tiempo y dinero en relación a la vida útil de su horno.

Encontrará muchas respuestas a problemas comunes en la sección Antes de Llamar al Servicio Técnico. Si revisó nuestro cuadro de Consejos para la Solución de Problemas primero, es posible que no necesite llamar al servicio técnico en absoluto.

Si necesita solicitar el servicio técnico

Para acceder al servicio técnico, consulte la página de Servicios al Consumidor, en el reverso de este manual.

Estamos orgullosos de nuestro servicio técnico y deseamos que esté complacido. Si por alguna razón no se siente conforme con el servicio técnico que recibe, aquí figuran algunos pasos que deberá seguir para solicitar ayuda adicional.

PRIMERO, comuníquese con las personas que le brindaron el servicio técnico sobre su electrodoméstico. Explique por qué no se siente a gusto. En la mayoría de los casos, esto resolverá el problema.

LUEGO, si aún no está conforme, escriba todos los detalles - incluyendo su número telefónico - a:

Manager, Customer Relations
Monogram
Appliance Park
Louisville, KY 40225

PRECAUCIONES PARA EVITAR UNA POSIBLE EXPOSICIÓN A ENERGÍA EXCESIVA DE MICROONDAS

- (a) **Do Intente** usar este horno con la puerta abierta, ya que esto último podrá producir una exposición peligrosa a la energía de microondas. Es importante no sobrepasar ni alterar los bloqueos de seguridad.
- (b) **No Coloque** ningún objeto entre la cara frontal del horno y la puerta, ni permita que se acumule tierra ni residuos de limpiadores en las superficies selladas.
- (c) **No Utilice** el horno si se encuentra dañado. Es especialmente importante que la puerta del horno se cierre de forma adecuada y que no se dañe lo siguiente:
- (1) puerta (doblada),
 - (2) bisagras y pestillos (rotos o sueltos),
 - (3) juntas de la puerta y superficies selladas
- (d) **TEI Horno No Debe** ser ajustado o reparado por ninguna persona excepto por personal calificado del servicio técnico

Al usar artefactos eléctricos se deberán seguir las precauciones básicas de seguridad, incluyendo lo siguiente:

⚠ ADVERTENCIA A fin de reducir el riesgo de quemaduras, descargas eléctricas, incendios, lesiones personales, o exposición a excesos de energía de microondas:

- Lea todas las instrucciones antes de usar este electrodoméstico.
- Lea y siga las precauciones específicas en la sección PRECAUCIONES PARA EVITAR UNA POSIBLE EXPOSICIÓN A UNA EXCESIVA ENERGÍA DE MICROONDAS más arriba.
- Dé a este electrodoméstico el uso para el cual fue diseñado únicamente, como se describe en este manual. No use productos químicos corrosivos ni vapores en este electrodoméstico. Este microondas de cajón fue diseñado específicamente para calentar, secar o cocinar comida, y no para uso industrial o en laboratorio.
- No intente reparar el horno microondas usted mismo. Si es necesario reparar el electrodoméstico, entonces el servicio deberá ser realizado por una persona calificada del servicio técnico. Comuníquese a una sucursal autorizada del servicio técnico para cualquier control, reparación o ajuste.
- Si la luz del electrodoméstico falla, comuníquese al servicio técnico.
- Instale o ubique el electrodoméstico sólo de acuerdo con las instrucciones de instalación provistas.
- Este electrodoméstico deberá estar conectado a tierra. Conecte sólo a un tomacorriente con la adecuada conexión a tierra. Lea la sección INSTRUCCIONES PARA CONEXIÓN A TIERRA en la página 7.
- Este horno microondas figura en la lista de UL para su instalación debajo de todos los hornos de pared a gas o eléctricos y debajo de las siguientes superficies de cocción de GE: ZHU36, ZHU30, ZEU36, ZEU30, ZGU385NSMSS, y ZGU384NSMSS.
- No utilice este electrodoméstico si posee un cable o enchufe dañado, si no funciona correctamente, o si fue dañado o sufrió una caída.
- Mantenga el cable de corriente alejado de superficies calientes.
- No sumerja el cable de corriente o el enchufe en el agua.
- No guarde este electrodoméstico al aire libre. No use este producto cerca del agua; por ejemplo, en un sótano húmedo, cerca de una piscina, cerca de un lavabo o en ubicaciones similares.
- No coloque este artefacto sobre un lavabo.
- No utilice ningún electrodoméstico de calefacción o cocción debajo de este electrodoméstico.
- No monte la unidad sobre ni cerca de cualquier parte de un electrodoméstico para calentar o cocinar.
- No guarde nada directamente sobre la superficie del electrodoméstico cuando el mismo se encuentre funcionando.
- No cubra ni bloquee cualquier abertura del electrodoméstico.
- Para reducir el riesgo de incendio en la cavidad del horno:
 - No cocine en exceso la comida. Preste especial atención cuando se coloque papel, plástico u otros materiales combustibles dentro del horno mientras se cocina.
 - Elimine cualquier torcedura del cable y asas metálicas de los envases de papel o plástico antes de colocar estos en el electrodoméstico.
 - No use el electrodoméstico con el propósito de guardar cosas. No deje productos de papel, utensilios de cocina ni comida en el horno cuando no esté en uso.
 - Si los materiales dentro del horno se prenden fuego, mantenga la puerta del electrodoméstico cerrada, apague el mismo y desconecte el cable de la corriente, o corte la corriente del fusible o el disyuntor. Si se abre la puerta, el fuego se podrá esparcir.
- Al limpiar las superficies selladas del electrodoméstico que se unen al cerrar el cajón, aplique sólo jabones o detergentes suaves y no abrasivos con una esponja o tela suave. Lea las instrucciones de limpieza en la página 19.

LEA Y GUARDE ESTAS INSTRUCCIONES

INSTRUCCIONES IMPORTANTES DE SEGURIDAD

Microondas de Cajón

⚠️ ADVERTENCIA

- No limpie con almohadillas metálicas para fregar. Las piezas podrán quemar la almohadilla y tener contacto con partes eléctricas y producir riesgos de descargas eléctricas.
- No se trepe ni se sienta sobre el electrodoméstico.
- Mantenga los dedos u otros objetos alejados de la apertura del electrodoméstico al cerrar la puerta.
- No coloque los dedos ni ropa alrededor de las guías del cajón cuando el electrodoméstico esté abierto o cerrado, ya que podrán quedar atrapados entre las guías.
- Asegúrese de que la comida y los envases sean más cortos que el cajón antes de cerrar el mismo. Puede tomar como referencia la altura de la pared lateral del cajón.
- Al igual que con cualquier otro electrodoméstico, es necesario supervisar de cerca el uso del mismo por parte de niños.
- Tenga cuidado al tocar el piso, la puerta y las paredes del horno, los cuales se podrán calentar durante el uso.

ARCOS ELÉCTRICOS

Si observa arcos eléctricos, presione la tecla **Stop/Clear (Detener/ Borrar)** y corrija el problema.

Arco eléctrico es el término que se usa para definir la producción de chispas en el horno microondas. Los arcos eléctricos son producidos por:

- Metal o papel de aluminio en contacto con el costado del horno.
- Platos o vajillas con bordes metálicos o con una capa de brillo metálico.
- Papel de aluminio no amoldado a la comida.
- Metales, tales como precintos, pinchos de ave, o platos con rebordes dorados, en el microondas.
- Toallas de papel reciclable que contengan pequeños trozos de metal usados en el microondas

COMIDAS

- No prepare palomitas de maíz en el microondas de cajón, a menos que se encuentren en un accesorio especial de palomitas de maíz para microondas o que el envoltorio de las palomitas de maíz posea una etiqueta que indique que se pueden preparar en el horno microondas.
- Algunos productos tales como huevos enteros y envases sellados – por ejemplo: jarras cerradas – pueden explotar y por esto no se deben calentar en el microondas de cajón. Dicho uso del microondas de cajón podrá producir lesiones.
- No utilice el microondas sin comida dentro del horno.
- Las comidas con la piel exterior “intacta” tales como las papas, perros calientes, salsas, tomates, manzanas, hígados de pollo y otros menudos y yemas de huevo deberán ser perforados para permitir que salga el vapor durante la cocción.
- Evite calentar comida para bebés en jarras de vidrio, incluso sin la tapa. Asegúrese de que las comidas para infantes estén totalmente cocinadas. Revuelva la comida para distribuir el calor de forma pareja. Asegúrese de evitar el punto de hervor cuando caliente fórmula de bebé. Es posible que el envase se sienta más frío que su contenido. Siempre pruebe la fórmula antes de alimentar a su bebé.
- **AGUA SOBRECALENTADA**
Los líquidos, tales como el agua, café o té se podrán sobrecalentar más allá de su punto de hervor sin que parezca que esto está sucediendo. No siempre se observan burbujas o hervor cuando el envase es retirado del microondas con cajón. ESTO PODRÍA PROVOCAR QUE LÍQUIDOS MUY CALIENTES DE PRONTO HIERVAN CUANDO SE MUEVA EL ENVASE O CUANDO SE INSERTE UNA CUCHARA U OTRO UTENSILIO EN EL LÍQUIDO.
Para reducir el riesgo de lesiones personales:
 - No sobrecaliente el líquido.
 - Revuelva el líquido tanto antes como a la mitad del tiempo mientras lo calienta.
 - No use recipientes con lados rectos y cuellos angostos.
 - Después de calentar, deje reposar el recipiente en el microondas con cajón durante un período corto antes de retirar el mismo.
 - Tenga extremo cuidado al insertar una cuchara u otro utensilio en el envase.
- No caliente las papas en exceso. Se podrían deshidratar y prenderse fuego, causando daños en su horno.
- Cocine la carne y carne de ave completamente – la carne a por lo menos una temperatura INTERNA de 160°F y la carne de ave a por lo menos una temperatura INTERNA de 180°F. La cocción a estas temperaturas normalmente es una protección contra las enfermedades producidas por la carne.

LEA Y GUARDE ESTAS INSTRUCCIONES

INSTRUCCIONES IMPORTANTES DE SEGURIDAD

Microondas de Cajón

UTENSILIOS

- Asegúrese de que todos los utensilios usados en el microondas con cajón sean aptos para su uso en el mismo. Se puede usar la mayoría de las cacerolas de vidrio, platos de cocción, tazas graduadas, tazas para postre, vajillas de cerámica o porcelana que no poseen bordes metálicos o vidriados con un brillo metálico. Algunos utensilios cuentan con la etiqueta “para uso en microondas”.
 - Si usa un termómetro para carnes mientras cocina, cerciórese de que sea seguro para uso en hornos microondas.
 - Algunas bandejas de gomaespuma (como aquellas donde se empaqueta la carne) poseen una tira fina de metal insertada en la parte inferior. Si se usan en el horno microondas, el metal podrá quemar el piso del horno o encender una toalla de papel.
 - No todos los envoltorios de plástico se pueden usar en el horno microondas. Controle el paquete para un uso adecuado.
 - Las toallas de papel, papel para alimentos o envoltorios de plástico se podrán usar para cubrir platos, a fin de retener la humedad y evitar salpicaduras. Asegúrese de ventilar los envoltorios de plástico, de modo que el vapor pueda salir.
 - Tenga cuidado al abrir recipientes con comida caliente. Use las manijas y evite el contacto directo del vapor con la cara y las manos.
 - Ventile, perforo o corte los recipientes, bolsas o bolsas plásticas para evitar la acumulación de presión.
 - Utensilios de plástico - los utensilios de plástico diseñados para la cocción en el horno microondas son muy útiles, pero se deberán usar con cuidado. Es posible que el plástico de uso seguro en el horno microondas no tolere condiciones de sobrecalentamiento, como sí es el caso con materiales de vidrio o cerámica, y se podrá ablandar o carbonizar si se somete a períodos cortos de sobrecalentamiento. Si se exponen a un sobrecalentamiento prolongado, la comida y los utensilios se podrán incendiar.
- Siga estas pautas:*
1. Use plásticos de uso seguro en el horno microondas únicamente y use los mismos cumpliendo de forma estricta las recomendaciones del fabricante de utensilios
 2. No use recipientes vacíos en el horno microondas.
 3. No permita que los niños usen utensilios de plástico sin una supervisión completa.

LEA Y GUARDE ESTAS INSTRUCCIONES

INSTRUCCIONES IMPORTANTES DE SEGURIDAD

Microondas de Cajón

INSTRUCCIONES DE CONEXIÓN A TIERRA

⚠ ADVERTENCIA *El uso inadecuado del enchufe de conexión a tierra puede provocar riesgos de descargas eléctricas.*

Este electrodoméstico deberá estar conectado a tierra. En caso de que se produzca un cortocircuito, la conexión a tierra reduce el riesgo de descargas eléctricas, brindando un cable de escape de la corriente eléctrica.

Este electrodoméstico está equipado con un cable de corriente que posee un cable de conexión a tierra con un enchufe a tierra. El enchufe se deberá colocar en un tomacorriente instalado y conectado a tierra de forma adecuada.

Consulte a un electricista calificado o al personal del servicio técnico en caso de que las INSTRUCCIONES DE CONEXIÓN A TIERRA no se entiendan completamente o si tiene dudas sobre si la herramienta está conectada a tierra de forma apropiada.

En caso de contar con un tomacorriente de pared de 2 cables, es su responsabilidad y obligación reemplazarlo por un tomacorriente de pared de 3 cables correctamente conectado a tierra.

Bajo ninguna circunstancia corte o elimine el tercer cable (tierra) del cable de corriente.

No use prolongadores con este electrodoméstico. Si el cable de corriente es demasiado corto, solicite a un electricista o a personal del servicio técnico calificado que instale un tomacorriente cerca del electrodoméstico.

Para un mejor funcionamiento, conecte este electrodoméstico en su tomacorriente eléctrico a fin de evitar parpadeos de las luces, explosión del fusible o desactivación del disyuntor.

ADAPTADORES DE ENCHUFE

Situaciones de uso en que el cable de corriente del electrodoméstico será desconectado con poca frecuencia.

(Debido a los posibles riesgos sobre la seguridad bajo ciertas condiciones, **recomendamos enfáticamente no usar adaptadores de enchufe**. Sin embargo, si aún elije usar un adaptador, cuando los códigos locales lo permitan, se podrá realizar una **CONEXIÓN TEMPORARIA** a un tomacorriente adecuadamente conectado a tierra, utilizando un adaptador que figure en la lista de UL disponible en la mayoría de los locales de repuestos.

La ranura más larga del adaptador deberá estar alineada con la ranura más larga en el tomacorriente de pared, a fin de brindar la polaridad adecuada en la conexión del cable de corriente.

PRECAUCIÓN: Conectar la terminal del adaptador con conexión a tierra al tornillo de la cubierta del tomacorriente no conecta el electrodoméstico a tierra, a menos que el tornillo de la cubierta sea de metal, y no esté aislado, y que el tomacorriente esté conectado a tierra a través del cableado del hogar.

Contrate a un electricista calificado para que controle el circuito, a fin de asegurar que el tomacorriente esté correctamente conectado a tierra.

Cuando desconecte el cable de corriente del adaptador, siempre sostenga el adaptador con una mano. En caso de no hacer esto, es muy probable que la terminal del adaptador con conexión a tierra se rompa con el uso repetido. Si esto sucede, **NO USE** el electrodoméstico hasta que se haya establecido una conexión a tierra adecuada nuevamente.

Situaciones de uso en que el cable de corriente del electrodoméstico será desconectado con frecuencia.

No use un adaptador de enchufe en estas situaciones, ya que una desconexión frecuente del cable de corriente representa un esfuerzo excesivo sobre el adaptador y conduce finalmente a una falla de la terminal del adaptador con conexión a tierra. Deberá solicitar a un electricista calificado el reemplazo del tomacorriente de 2 cables por uno de 3 cables (con conexión a tierra), antes de usar el electrodoméstico.

(No se permite el uso de enchufes adaptadores en Canadá)

Alinee las clavijas/
ranuras grandes

MÉTODO
TEMPORARIO

Asegúrese una conexión
a tierra adecuada y una
conexión segura antes
del uso.



MARCAPASOS

La mayoría de los marcapasos poseen protección contra interferencias de productos eléctricos, incluyendo microondas. Sin embargo, es aconsejable que los pacientes con marcapasos consulten a sus médicos ante cualquier duda

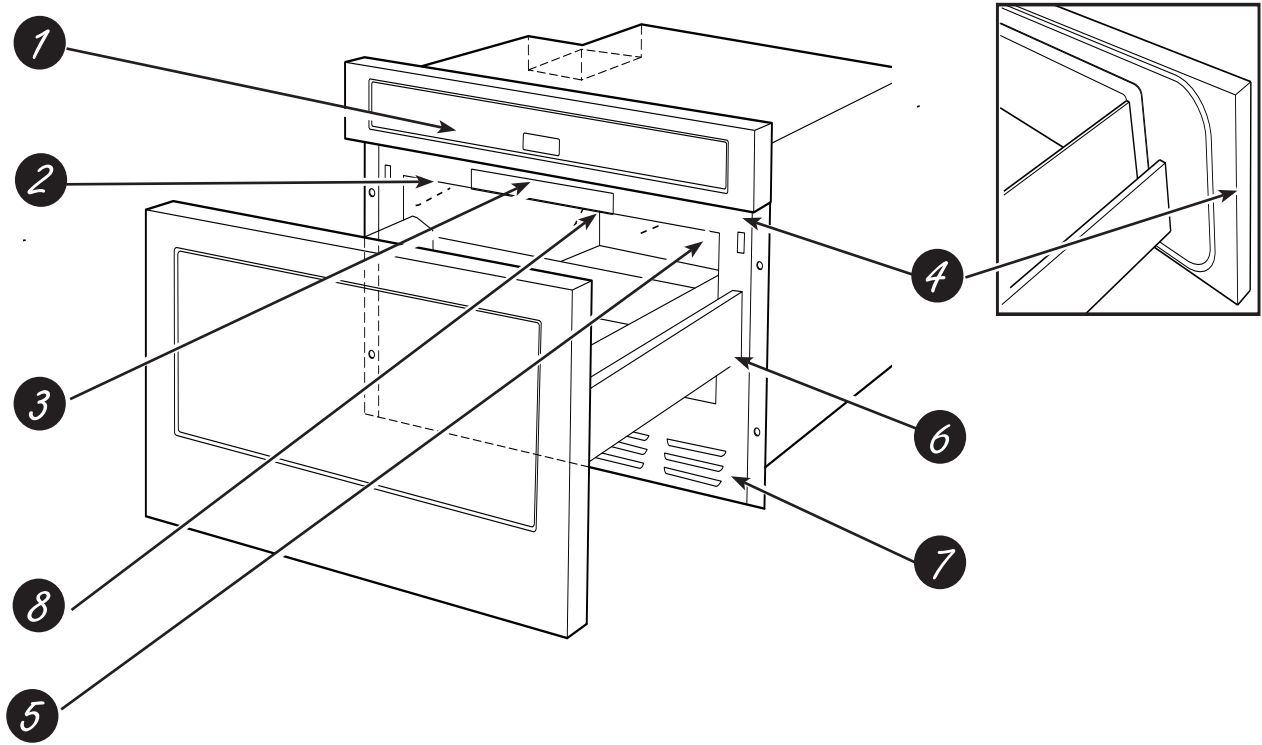
LEA Y GUARDE ESTAS INSTRUCCIONES

Funciones del horno

Microondas de Cajón

Es posible que las funciones y el aspecto varíen con relación a su modelo a lo largo del manual.

900 Watts



Funciones del Horno

1 La puerta del Panel de Control deberá estar asegurada con la traba para que el microondas se active.

2 Tapa de la Guía de Ondas - NO RETIRAR

3 Etiqueta del Menú del Microondas con Cajón

4 Superficies Selladas del Cajón

5 Luz del Cajón

6 Guías del Microondas con Cajón

7 Ventilación

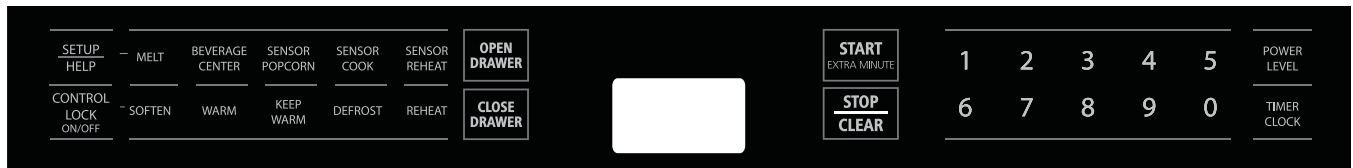
8 Placa del Nombre.

Abra el Microondas con Cajón completamente. La etiqueta está más allá de la pared trasera de la cavidad del microondas que mira hacia arriba desde la superficie plana.

Controles

Microondas de Cajón

Puede usar el horno microondas por tiempo o con funciones convenientes. No todos los modelos cuentan con todas las funciones.



Controles de Cocción

Presionar	Consulte la siguiente página para acceder a instrucciones
Derretir	Lea la página 16
Centro de Bebidas	Lea la página 15
Palomitas de Maíz con Sensor	Lea la página 12
Cocción con Sensor	Lea la página 13
Recalentar con Sensor	Lea la página 12
Ablandar	Lea la página 16
Calentar	Lea la página 16
Mantener Caliente	Lea la página 17
Descongelar	Lea la página 14
Recalentar	Lea la página 15

Antes de Usar

Antes de usar su nuevo Microondas de Cajón, asegúrese de leer y entender este Manual del Propietario completamente. Antes de que el Microondas de Cajón pueda ser usado, siga estos pasos:

1. Enchufe el Microondas de Cajón, “**DISFRUTE DE SU MICROONDAS CON BORRADO TÁCTIL Y RELOJ TÁCTIL**” aparecerá en la pantalla.
2. Presione **Stop/Clear (Detener/ Borrar)**.
3. Configure el reloj.

Configuración del Reloj

1. Presione **Timer/Clock (Temporizador/ Reloj)** y luego presione **2**.
2. Presione las teclas numéricas para configurar la hora correcta del día y luego presione **Timer/Clock (Temporizador/ Reloj)** nuevamente.

Éste es un reloj de 12 horas. Si intenta ingresar un hora incorrecta en el reloj, “**ERROR**” aparecerá en la pantalla. Presione la tecla **Stop/Clear (Detener/ Borrar)** y vuelva a ingresar la hora.

Si el suministro de corriente eléctrica de su Microondas de Cajón fuera interrumpido, la pantalla mostrará de forma intermitente “**DISFRUTE DE SU MICROONDAS CON BORRADO TÁCTIL Y RELOJ TÁCTIL**” una vez reestablecida la corriente. Si esto sucede durante la cocción, el programa será borrado. La hora del día también será borrada. Simplemente presione **Stop/Clear (Detener/ Borrar)** y reinicie en el reloj la hora correcta del día.

NOTA: El Microondas de Cajón puede ser programado con el cajón abierto, excepto la función **START/Extra Minute (Iniciar/ Minuto Extra)**.

Temporizador

1. Presione **Timer/Clock (Temporizador/ Reloj)** y luego presione **1**.
2. Presione las teclas numéricas para configurar la hora correcta del día y luego presione **Timer/Clock (Temporizador/ Reloj)** nuevamente.

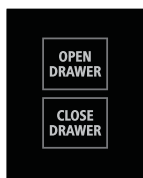
Para cancelar el temporizador, presione **Stop/Clear (Detener/ Borrar)**.

Stop/Clear (Detener/ Borrar)

Presione la tecla **Stop/Clear (Detener/ Borrar)** para:

- Borre si comete un error durante la programación.
- Cancele el temporizador.
- Detenga el Microondas con Cajón de forma temporaria durante la cocción por tiempo.
- Restablezca la hora del día en la pantalla.
- Cancele un programa durante la cocción; presione dos veces para realizar una cocción por tiempo.

Abra o Cierre el Microondas de Cajón



Si desea usar la operación específica para abrir/ cerrar el Microondas con Cajón, presione la tecla **OPEN DRAWER (Abrir Cajón)** o **CLOSE DRAWER (Cerrar Cajón)** en el panel de control para abrir o cerrar el Microondas de Cajón.

Para cerrar el Microondas de Cajón, presione el cajón suavemente de modo que el mismo se cierre de forma automática. En caso de que el Microondas de Cajón sea detenido en el medio, abra o cierre el mismo de forma manual hasta la posición abierta o cerrada completamente, empujando de forma suave hacia adelante o atrás con una presión pareja cerca del medio del cajón.

Cocción por Tiempo

Su Microondas de Cajón puede ser programado durante 99 minutos y 99 segundos (99.99). Siempre ingrese los segundos luego de los minutos, incluso si ambos son cero.

EJEMPLO: Si desea cocinar durante 5 minutos al 100%:

1. Ingrese el tiempo de cocción de 5:00.
2. Luego presione la tecla **START/Extra Minute (INICIAR/ Minuto Extra)**. El nivel de potencia será configurado de forma automática al 100%, a menos que modifique el mismo.

Para Configurar el Nivel de Potencia

Hay once niveles de potencia preconfigurados. El uso de los niveles de potencia inferiores incrementa el tiempo de cocción, el cual es recomendado para comidas tales como queso, leche y cocciones lentas de carnes. Para acceder a recomendaciones específicas, consulte el libro de cocina o de recetas del microondas.

EJEMPLO: Si desea descongelar manualmente durante 5 minutos al 30%:

1. Ingrese el tiempo de descongelación de 5:00.
2. Luego presione la tecla **Power Level (Nivel de Potencia)** 8 veces.
3. Presione la tecla **START/Extra Minute (INICIAR/ Minuto Extra)**.

Presione la Tecla Nivel de Potencia la Cantidad de Veces Correspondiente a la Potencia Deseada	Porcentaje de Potencia Aproximado	Palabras Comunes para los Niveles de Potencia
Nivel de Potencia x 1	100%	Alta
Nivel de Potencia x 2	90%	
Nivel de Potencia x 3	80%	
Nivel de Potencia x 4	70%	Medio Alto
Nivel de Potencia x 5	60%	
Nivel de Potencia x 6	50%	Medio
Nivel de Potencia x 7	40%	
Nivel de Potencia x 8	30%	Medio Bajo/ Descongelar
Nivel de Potencia x 9	20%	
Nivel de Potencia x 10	10%	Bajo
Nivel de Potencia x 11	0%	

Acerca de las funciones del sensor

La función Sensor Features (Funciones del Sensor) detecta la humedad creciente liberada durante la cocción. El horno ajusta de forma automática el tiempo de cocción a diferentes tipos y cantidades de comida.

No use Sensor Features (Funciones del Sensor) dos veces seguidas en la misma porción de comida; esto podrá hacer que la comida se sobrecaliente de forma excesiva o que se queme. Asegúrese de dejar que el horno se enfríe entre 5 y 10 minutos, antes de iniciar la siguiente cocción con sensor.

Si la cocción de la comida no está completa luego de la cuenta regresiva, use la cocción por tiempo para adicionar tiempo.

- Es esencial contar con envases y cobertores para una mejor cocción con sensor.
- **Siempre use envases para uso seguro en el microondas y cubra los mismos con tapas o envoltorios de plástico ventilados. Nunca use envases de plástico sellados** – pueden impedir la salida de vapor y hacer que la comida se sobrecaliente.
- **Asegúrese de que la parte exterior de los recipientes de cocción y el interior del horno microondas estén secos antes de colocar comida en el horno.** Las gotas de humedad que se convierten en vapor pueden alterar el funcionamiento del sensor



Tapa



Ventilado



Seque los platos de modo que no alteren el funcionamiento del sensor.

Uso de las Configuraciones del Sensor:

- Una vez enchufado el Microondas de Cajón, espere 2 minutos antes de usar cualquier configuración del sensor.
- Asegúrese de que el exterior del recipiente de cocción y el interior del Microondas de Cajón estén secos. Elimine cualquier humedad con una tela seca o con una toalla de papel.
- El sensor funciona con comidas en una temperatura de almacenamiento normal. Por ejemplo, las palomitas de maíz están a temperatura ambiente.
- Cualquier selección del sensor puede ser programado con un Ajuste de Tiempo Mayor o Menor. Consulte la página 17.
- Es posible que se cocine más o menos comida que la cantidad que figura en los cuadros, siguiendo las pautas de cualquier libro de cocción del microondas.
- Durante la primera parte del uso del sensor, el nombre de la comida aparecerá en la pantalla. No abra el Microondas de Cajón ni presione **Stop/Clear (Detener/ Borrar)** durante esta parte del ciclo. La medición de vapor será interrumpida. Si eso sucede, aparecerá un mensaje de error. Para continuar cocinando, presione la tecla **Stop/Clear (Detener/ Borrar)** y cocine de forma manual.

Cuando el sensor detecta el vapor emitido por la comida, el resto del tiempo de cocción/ recalentamiento aparecerá. El Microondas de Cajón puede ser abierto cuando el tiempo restante aparece en la pantalla. En dicho momento, puede revolver o sazonar la comida, según lo desee.

- Exceptuando las palomitas de maíz, si el sensor no detecta vapor de forma adecuada al cocinar otras comidas, en la pantalla aparecerá ERROR, y el microondas se apagará
- Controle la temperatura de la comida luego de cocinar. Si es necesario contar con tiempo adicional, continúe la cocción de forma manual.
- Cada comida tiene una sugerencia de cocción. Presione la tecla **Help (Ayuda)** cuando el indicador de Help aparezca iluminado en la pantalla.

Palomitas de Maíz con Sensor/ Recalentar con Sensor

Usted puede preparar palomitas de maíz y recalentar muchas comidas y no necesitará calcular el tiempo de cocción ni los niveles de potencia.

Presione la tecla **Sensor Reheat (Recalentar con Sensor)** o **Sensor Popcorn (Palomitas de Maíz con Sensor)** y **START/Extra Minute (Iniciar/ Minuto Extra)**.

Cuando el sensor detecta el vapor emitido por la comida, el resto del tiempo de cocción/ recalentamiento aparecerá.

NOTA: La configuración del Sensor Popcorn (Palomitas de Maíz con Sensor) cuenta con dos opciones; siga las instrucciones en pantalla para elegir la opción deseada.

Comida	Cantidad	Procedimiento
Palomitas de Maíz con Sensor	Sólo 1 paquete por vez.	Use sólo palomitas de maíz con envoltorio para microondas. Pruebe varias marcas para decidir cuál le gusta. No intente hacer explotar los granos no explotados.
	2.85 a 3.5 onzas Regular/ Luz Regular	Presione la tecla Sensor Popcorn (Palomitas de Maíz con Sensor) una vez.
	1.2 a 1.75 onzas Mini/ Refrigerio	Presione la tecla Sensor Popcorn (Palomitas de Maíz con Sensor) dos veces.
Recalentar con Sensor	4 a 36 onzas	Coloque un plato o cazuela levemente más grande que la cantidad que será recalentada. Aplane, si es posible. Cubra con una tapa, envoltorio plástico o papel para alimentos. Use coberturas tales como envoltorios plásticos o tapas con grandes cantidades de comidas más densas, tales como estofados. Luego de recalentar, revuelva bien, de ser posible. Vuelva a cubrir y deje reposar entre 2 y 3 minutos. Las comidas deberán estar muy calientes. De no ser así, continúe calentando con una potencia y tiempo variables.

Cocción con Sensor

1. Presione la tecla **Sensor Cook (Cocción con Sensor)** una vez.
2. Lea el Cuadro de Sensor Cook (Cocción con Sensor) a continuación. Seleccione la comida deseada presionando la tecla numérica. Ejemplo: presione **5** para papas horneadas.
3. Presione la tecla **START/Extra Minute (INICIAR/ Minuto Extra)**.

NOTA: Para calentar o cocinar otras comidas o comidas cuyas cantidades son superiores o inferiores a la cantidad permitida en el Cuadro de Cocción con Sensor, realice una cocción por tiempo.

Cuadro de Cocción con Sensor

Número	Comida	Cantidad	Procedimiento
1	Verduras Frescas: Rápido Brócoli Repollitos de Bruselas Repollo Coliflor (cabezas) Coliflor (completo) Espinaca Calabacín Manzanas Horneadas	.25 a 2.0 libras .25 a 2.0 libras .25 a 2.0 libras .25 a 2.0 libras 1 medio .25 a 1.0 libra .25 a 2.0 libras 2 a 4 medio	Lave y coloque en una cazuela. No agregue agua si las verduras están recién lavadas. Cubra con una tapa para verduras tiernas. Use un envoltorio plástico para verduras tiernas y crocantes. Luego de cocinar, revuelva, de ser posible. Deje reposar, cubierto, entre 2 y 5 minutos.
2	Verduras Frescas: Prolongado Zanahorias, rebanadas Elote Frijoles Verdes Calabaza de Invierno: mitades dados	.25 a 1.5 libras 2 a 4 choclos .25 a 1.5 libras .25 a 1.5 libras 1 a 2 mitades	Coloque en una cazuela. Agregue entre 1 y 4 cucharadas soperas de agua. Cubra con una tapa para verduras tiernas. Use un envoltorio plástico para verduras tiernas y crocantes. Luego de cocinar, revuelva, de ser posible. Deje reposar, cubierto, entre 2 y 5 minutos.
3	Verduras Congeladas	.25 a 1.25 libras	No agregue agua. Cubra con una tapa o envoltorio de plástico. Luego de cocinar, revuelva y deje reposar, cubierto, durante 3 minutos.
4	Entradas Congeladas	6 a 17 onzas	Use esta tecla para comidas convenientes congeladas. Le dará resultados satisfactorios con la mayoría de las marcas. Puede probar varias y elegir su preferida. Retire el paquete del envoltorio externo y siga las instrucciones del paquete para cubrir. Luego de cocinar, deje reposar, cubierto, entre 1 y 3 minutos.
5	Papas al Horno	1 a 6 medio	Perfore. Coloque en una toalla de papel alineada con el Microondas con Cajón. Luego de cocinar, retire del microondas, envuelva en papel de aluminio y deje reposar entre 5 y 10 minutos.
6	Batatas	1 a 6 medio	
7	Carne Picada	.25 -2.0 libras	Use esta configuración para cocinar carne picada o pavo en forma de medallones o en una cazuela para ser agregada a otros ingredientes. Coloque los medallones en un estante seguro para uso en el microondas y cubra con papel para alimentos. Coloque la carne picada en una cazuela y cubra con papel para alimentos o con un envoltorio plástico. Cuando el microondas se detenga, dé vuelta los medallones o revuelva la carne en la cazuela para dividir grandes trozos. Recupere y presione la tecla Start/ Extra Minute (Iniciar/ Minuto Extra) . Luego de cocinar, deje reposar, cubierto, entre 2 y 3 minutos.
8	Pescado/ Mariscos	.25 -2.0 libras	Arme un anillo alrededor de un plato de vidrio playo (haga rodar el filet con sus extremos por debajo). Cubra con un envoltorio plástico ventilado. Luego de cocinar, deje reposar, cubierto, durante 3 minutos..
9	Arroz Blanco	.5 a 2.0 tazas	Coloque el arroz en una cazuela profunda y agregue el doble de agua. Cubra con una tapa o envoltorio de plástico. Luego de cocinar, revuelva, cubra y deje reposar entre 3 y 5 minutos o hasta que todo el líquido se haya absorbido. Arroz.....Agua..... Tamaño de la Cazuela .5 Taza.....1 Taza.....1.5 cuartos 1 Taza.....2 Tazas.....2 cuartos 1.5 Tazas.....3 Tazas.....2.5 o 3 cuartos 2 Tazas.....4 Tazas.....3 cuartos o más grande
10	Arroz Integral	.5 a 2.0 tazas	

Descongelar

Use esta función para descongelar las comidas que aparecen en el CUADRO DE DESCONGELACIÓN a continuación.

1. Presione la tecla Defrost (Descongelar). En la pantalla aparecerá **“LEA LA ETIQUETA DE SELECCIÓN DEL NÚMERO DE COMIDA”**.
2. Lea la Etiqueta del Menú. Seleccione la comida deseada presionando la tecla numérica. Por ejemplo: Presione 2 para bistects/ costillas. “En la pantalla aparecerá **“INGRESAR EL PESO DE LOS BISTECTS O COSTILLAS”**”.
3. Ingrese el peso presionando las teclas numéricas.
4. Presione la tecla **START/Extra Minute (INICIAR/ Minuto Extra)**. El horno se detendrá de modo que la comida pueda ser controlada.
5. Luego de la primera etapa, abra el Microondas de Cajón. Dé vuelta el bistec y cubra cualquier porción caliente. Cierre el Microondas de Cajón. Presione la tecla **START/Extra Minute (INICIAR/ Minuto Extra)**.
6. Luego de la segunda etapa, abra el Microondas de Cajón. Cubra cualquier porción caliente. Cierre el Microondas de

Cajón. Presione la tecla **START/Extra Minute (INICIAR/ Minuto Extra)**.

7. Una vez terminado el ciclo de descongelación, cubra y deje reposar según lo indicado en el siguiente cuadro.

NOTA:

- La descongelación puede ser programada con un Ajuste de Tiempo Mayor o Menor. Lea la página 17.
- Para descongelar otras comidas o comidas con pesos mayores o menores al permitido en el CUADRO DE DESCONGELACIÓN, lea sobre la DESCONGELACIÓN MANUAL a continuación.
- Controle las comidas cuando el horno dé la señal. Luego de la señal, es posible que algunas secciones pequeñas aún estén congeladas. Deje reposar para continuar derretiendo. No cocine hasta que todos los cristales de hielo estén derretidos.
- La cobertura evita que se produzca la cocción antes de que el centro de la comida esté descongelado. Use tiritas lisas de papel de aluminio para cubrir los extremos y las secciones finas de la comida.

Cuadro de Descongelación

Número	Comida	Cantidad	Procedimiento
1	Carne Picada	.5 a 2.0 libras	Retire cualquier trozo derretido luego de cada señal sonora. Deje reposar, cubierto, entre 5 y 10 minutos.
2	Bifes/Costillas	.5 a 3.0 libras	Luego de cada señal sonora, vuelva a ordenar la comida y, de haber porciones calientes o derretidas, cubra las mismas con trocitos planos de papel de aluminio. Retire cualquier carne o pescado que esté casi descongelado. Deje reposar, cubierto, entre 10 y 20 minutos.
3	Carne de Ave Deshuesada	.5 a 2.0 libras	Luego de cada señal sonora, de haber porciones calientes o derretidas, vuelva a ordenar o retire la comida. Deje reposar, cubierto, entre 10 y 20 minutos.
4	Carne de Ave con Huesos	.5 a 3.0 libras	Luego de cada señal sonora, vuelva a ordenar o retire la comida de haber porciones calientes o derretidas. Deje reposar, cubierto, entre 10 y 20 minutos.
5	Dorar	2.0 a 4.0 libras	Comience a descongelar colocando la parte plana hacia abajo. Luego de cada etapa, dé vuelta y cubra las porciones calientes con papel de aluminio. Deje reposar, cubierto, entre 30 y 60 minutos.
6	Sopa en Cazuela	1 a 6 tazas	Luego de cada señal sonora, separe y retire cualquier parte descongelada. Al final, revuelva bien y deje reposar, cubierto, entre 5 y 10 minutos.

Descongelación Manual

Si la comida que desea descongelar no figura en el CUADRO DE DESCONGELACIÓN o si supera los límites de la columna de CANTIDADES en el CUADRO DE DESCONGELACIÓN, deberá realizar la descongelación de forma manual.

Puede descongelar cualquier comida congelada, ya sea cruda o previamente cocinada, usando el Nivel de Potencia en 30%. Siga el procedimiento de 3 pasos exactamente como figura en CONFIGURACIÓN DEL NIVEL DE POTENCIA en la página 10. Calcule el tiempo de descongelación y presione la tecla Nivel de Potencia ocho veces para activar el nivel en el 30%.

Tanto para las comidas crudas como aquellas cocinadas en forma previa, la regla es aproximadamente 4 minutos por libra. Por ejemplo: descongele durante 4 minutos 1 libra de salsa de espagueti congelada.

Siempre detenga el horno de forma periódica para retirar o separar las porciones que están congeladas. Si la comida no está descongelada al final del tiempo de descongelación estimado, programe el horno por incrementos de 1 minuto en el Nivel de Potencia del 30% hasta que esté totalmente descongelada.

Al usar recipientes de plástico del freezer, descongele sólo durante el tiempo suficiente para retirar la comida del plástico, a fin de colocar la misma en un plato de uso seguro en el microondas.

Recalentar

Reheat (Recalentar) computa de forma automática el tiempo correcto para calentar y el nivel de potencia del microondas para las comidas que aparecen en el siguiente cuadro.

1. Presione la tecla **Reheat (Recalentar)** una vez. En la pantalla aparecerá **“LEA LA ETIQUETA DE SELECCIÓN DEL NÚMERO DE COMIDA”**.
2. Lea la Etiqueta del Menú. Seleccione la comida deseada presionando la tecla numérica. Por ejemplo: Presione 2 para arrollados o panecillos congelados.
3. Presione la tecla numérica para seleccionar la cantidad. Por ejemplo: Presione 2 para 2 arrollados o panecillos.

4. Presione la tecla **START/Extra Minute (INICIAR/ Minuto Extra)**.

NOTA:

- Reheat (Recalentar) puede ser programado con un Ajuste de Tiempo Mayor o Menor. Lea la página 17.
- Para recalentar otras comidas o comidas con más o menos cantidad que la permitida en el CUADRO PARA RECALENTAR, caliente de forma manual..

Cuadro para Recalentar

Número	Comida	Cantidad	Procedimiento
1	Arrollados/ panecillos frescos	1 a 8 trozo	Use esta tecla para calentar arrollados, panecillos, galletas, bagels, etc. Los trozos grandes pueden ser hasta 2 o 3 veces más grandes que el tamaño regular. Organice en el plato; cubra por una toalla de papel. Para arrollados o panecillos refrigerados, es posible que sea necesario duplicar la cantidad ingresada, a fin de asegurar la temperatura adecuada al servir. Por ejemplo, ingrese la cantidad de 2 para 1 panecillo refrigerado.
2	Arrollados/ panecillos congelados	1 a 8 trozos	Use esta tecla para calentar arrollados, panecillos, galletas, bagels, etc. que estén congelados. Los trozos grandes pueden ser hasta 2 o 3 veces más grandes que el tamaño regular. Organice en el plato; cubra con una toalla de papel.

Centro de Bebidas

El Centro de Bebidas le permite recalentar café o té en una temperatura más adecuada para beber o para hacer café o té instantáneo.

1. Presione la tecla **Beverage Center (Centro de Bebidas)**. En la pantalla aparecerá **“LEA LA ETIQUETA DE SELECCIÓN DEL NÚMERO DE COMIDA”**.
2. Lea la Etiqueta del Menú. Seleccione la comida deseada presionando la tecla numérica. Por ejemplo: Presione 2 para hacer café.
3. Vuelva a presionar la misma tecla numérica para seleccionar la cantidad. Por ejemplo: Presione 2 más veces para 2 tazas de café.

4. Presione la tecla **START/Extra Minute (INICIAR/ Minuto Extra)**.

NOTA:

- El Centro de Bebidas puede ser programado con un Ajuste de Tiempo Mayor o Menor. Lea la página 17.
- Si intenta ingresar más o menos cantidad que la permitida, un mensaje de error aparecerá en la pantalla.

Cuadro del Centro de Bebidas

Número	Comida	Cantidad	Procedimiento
1	Recalentar bebida	.5 a 2.0 tazas	Esta configuración es buena para restablecer la bebida enfriada a una mejor temperatura para beber. Presione la tecla numérica 1 para realizar incrementos de 0.5 taza cada vez que presione. Revuelva luego de calentar.
2	Agua caliente	1 a 6 tazas	Use esta configuración para calendar AGUA FRÍA DEL GRIFO a una temperatura un poco inferior al punto de hervor, para preparar café instantáneo o té. Presione la tecla numérica 2 para realizar incrementos de 1 taza cada vez que presione. Revuelva el líquido enérgicamente antes y después de calentar para evitar una “erupción”.

Derretir/ Ablandar/ Calentar

La función Melt, Soften and Warm (Derretir, Ablandar y Calentar) automáticamente computa el tiempo correcto para calentar y el nivel de potencia del microondas para derretir, ablandar, y calentar las comidas que figuran en el siguiente cuadro.

1. Presione la tecla **Melt (Derretir)** una vez. En la pantalla aparecerá **“LEA LA ETIQUETA DE SELECCIÓN DEL NÚMERO DE COMIDA”**.
2. Lea la Etiqueta del Menú. Seleccione la comida deseada presionando la tecla numérica. Por ejemplo: Presione 2 para chocolate.
3. Vuelva a presionar la misma tecla numérica para seleccionar la cantidad. Por ejemplo: Presione 2 otras dos veces para 1 cuarto.
4. Presione la tecla **START/Extra Minute (INICIAR/ Minuto Extra)**.

NOTA:

- La función Melt/Soften/Warm (Derretir/ Ablandar/ Calentar) puede ser programada con un Ajuste de Tiempo Mayor o Menor. Lea la página 17.
- Para derretir, ablandar o calentar otra comida o comidas con más o menos que la cantidad permitida en el CUADRO PARA DERRETIR/ ABLANDAR/ CALENTAR), use la función manual.

Cuadro para Derretir/ Ablandar/ Calentar

Button	Número	Comida	Cantidad	Procedimiento
Derretir	1	Manteca	2 cucharadas soperas .5 taza	Use una taza de medición Pyrex. Cubra con un envoltorio plástico. Luego de presionar MELT (Derretir), presione 1 dos veces para 2 cucharadas soperas. Luego de presionar MELT (Derretir), presione 1 tres veces para 0.5 taza.
	2	Chocolate	1 taza de pepitas de chocolate 1 cuarto	Luego de presionar MELT (Derretir), presione 2 dos veces para 1 taza de pepitas.. Luego de presionar MELT (Derretir), presione 2 tres veces para 1 cuarto.
Ablandar	1	Helado	1 pinta .5 galones	NO CUBRA Luego de presionar SOFTEN (Ablandar), presione 1 dos veces para 1 pinta. Luego de presionar SOFTEN (Ablandar), presione 1 tres veces para 5 galones.
	2	Quesos Crema	3 onzas 8 onzas	Luego de presionar SOFTEN (Ablandar), presione 2 dos veces para 3 onzas. Luego de presionar SOFTEN (Ablandar), presione 2 tres veces para 8 onzas
Calentar	1	Almíbar	1/4 de taza 1/2 taza	Use una taza de medición Pyrex. NO CUBRA Luego de presionar WARM (Calentar), presione 1 dos veces para ¼ de taza. Luego de presionar WARM (Calentar), presione 1 tres veces para 1/2 taza.
	2	Coberturas para postres	1/4 de taza 1/2 taza	Luego de presionar WARM (Calentar), presione 2 dos veces para ¼ de taza. Luego de presionar WARM (Calentar), presione 2 tres veces para 1/2 taza.

Mantener Caliente

La función Keep Warm (Mantener Caliente) le permite mantener la comida caliente hasta durante 3 minutos.

1. Toque la tecla **Keep Warm (Mantener Caliente)**. “**INGRESAR EL TIEMPO HASTA 30 MINUTOS**” aparecerá en la pantalla.
2. Ingrese el tiempo deseado presionando las teclas numéricas.
3. Presione la tecla **START/Extra Minute (INICIAR/Minuto Extra)**.

El horno se iniciará. La pantalla mostrará el tiempo restante y la cuenta regresiva. “**MANTENER CALIENTE**” aparecerá en la pantalla.

Con la Cocción Manual

1. Ingrese el tiempo de cocción deseado y el nivel de potencia.
2. Toque la tecla **Keep Warm (Mantener Caliente)**.
3. Ingrese el tiempo deseado para calentar hasta 30 minutos.
4. Presione la tecla **START/Extra Minute (INICIAR/Minuto Extra)**.

La función se iniciará. Una vez completado el tiempo de cocción, un tono prolongado sonará y la función Keep Warm (Mantener Caliente) se iniciará. En la pantalla se visualizará la cuenta regresiva. “**MANTENER CALIENTE**” se visualizará de forma intermitente durante la cuenta regresiva.

NOTA:

- Si intenta ingresar más de 30 minutos al usar la función Keep Warm (Mantener Caliente), un mensaje de error aparecerá en la pantalla.
- La función Keep Warm (Mantener Caliente) no puede ser programada con las funciones Sensor Popcorn (Palomitas de Maíz con Sensor), Sensor Reheat (Recalentar con Sensor), Sensor Cook (Cocinar con Sensor), Defrost (Descongelar) o Reheat (Recalentar).

Cocción con Secuencia Múltiple

Su Microondas de Cajón puede ser programado hasta durante 4 secuencias automáticas, pasado de una configuración del nivel de potencia a otra de forma automática.

A veces las instrucciones de cocción le indican que comience con un nivel de potencia y que luego pase a un nivel de potencia diferente. Su Microondas de Cajón puede hacer esto de forma automática.

1. Primero ingrese el tiempo de cocción. Luego presione la tecla Power Level (Nivel de Potencia) una vez para una cocción al 100%, o vuelva a presionar dicha tecla para un nivel de potencia inferior.
2. Ingrese el segundo tiempo de cocción. Vuelva a presionar la tecla Power Level (Nivel de Potencia) para establecer el nivel deseado. Puede seguir este procedimiento hasta 4 veces. “**PRESIONE INICIAR**” aparecerá en la pantalla.
3. Presione la tecla **START**.

NOTA:

- Si la tecla Power Level (Nivel de Potencia) es presionada una vez, “**ALTO**” aparecerá en la pantalla.
- Si 100% es seleccionado como secuencia final, no es necesario presionar la tecla Power Level (Nivel de Potencia).
- Si desea conocer el nivel de potencia durante la cocción, simplemente presione la tecla Power Level (Nivel de Potencia). Cuando su dedo esté presionando la tecla Power Level (Nivel de Potencia), este último será mostrado.
- La función Keep Warm (Mantener Caliente) puede ser programada, incluso si 4 secuencias de cocción fueron configuradas.

Extra Minute (Minuto Extra)™

La función **Extra Minute (Minuto Extra)** le permite cocinar por un minuto al 100%, simplemente presionando dicha tecla. Usted también puede extender el tiempo de cocción con múltiplos de 1 minuto, presionando de forma repetida la tecla Extra Minute (Minuto Extra) durante la cocción manual.

NOTA:

- Para usar la función Extra Minute (Minuto Extra), presione la tecla dentro de los 5 minutos luego de cocinar, cerrando el cajón o presionando la tecla Stop/Clear (Detener/ Borrar).
- La función Extra Minute (Minuto Extra) no puede ser usada con las configuraciones del Sensor, Reheat (Recalentar) o Defrost (Descongelar).

Ajuste de Tiempo Mayor o Menor

Si prefiere incrementar cualquiera de las configuraciones de Sensor (Sensor), Reheat (Recalentar) o Defrost (Descongelar), presione la tecla Power Level (Nivel de Potencia) una vez luego de presionar su selección. La pantalla mostrará “**MÁS**”.

Para reducir la configuración, presione la tecla Power Level (Nivel de Potencia) dos veces luego de presionar su selección. La pantalla mostrará “**MENOS**”.

Bloqueo del Control

El Bloqueo del Control evita cualquier funcionamiento no deseado del cajón, tal como el uso por parte de niños. El Microondas de Cajón puede ser configurado de modo que el panel de control y el mecanismo automático de la puerta queden desactivados o bloqueados.

PARA BLOQUEAR

Mantenga presionada la tecla Control Lock (Bloqueo del Control) durante 3 segundos. La pantalla muestra “**BLOQUEO ACTIVADO**”..

PARA DESBLOQUEAR

Mantenga presionada la tecla Control Lock (Bloqueo del Control) durante 3 segundos. La pantalla muestra “**BLOQUEO DESACTIVADO**”.

La función Control Lock (Bloqueo del Control) queda cancelada cuando el suministro de corriente eléctrica a su horno es interrumpido. Vuelva a configurar esta función cuando la corriente sea restablecida.

Configuración/ Ayuda

Si el suministro de corriente eléctrica de su Microondas de Cajón fuera interrumpido, la pantalla mostrará de forma intermitente “**DISFRUTE DE SU MICROONDAS CON BORRADO TÁCTIL Y RELOJ TÁCTIL**” una vez restablecida la corriente. Si esto sucede, la opción **Setup/ Help (Configuración/ Ayuda)** que ingrese será borrada. Simplemente presione la tecla **Stop/Clear (Detener/ Borrar)** y reinicie.

Eliminación de la Señal Sonora

Al finalizar una cocción por tiempo, se emitirán pitidos. La señal sonora puede ser apagada si prefiere un funcionamiento silencioso.

PARA APAGAR EL SONIDO

1. Presione la tecla **Setup/Help (Configuración/ Ayuda)**. “**PRESIONE NUEVAMENTE**” aparecerá en la pantalla.
2. Presione la tecla **Setup/Help (Configuración/ Ayuda)** nuevamente. “**¿SONIDO APAGADO? PRESIONE INICIAR**” aparecerá en la pantalla.
3. Presione la tecla **START/Extra Minute (INICIAR/ Minuto Extra)**. La pantalla muestra “**SONIDO DESACTIVADO**”.

PARA ENCENDER EL SONIDO

1. Presione la tecla **Setup/Help (Configuración/ Ayuda)**. “**PRESIONE NUEVAMENTE**” aparecerá en la pantalla.
2. Presione la tecla **Setup/Help (Configuración/ Ayuda)** nuevamente. “**¿SONIDO ENCENDIDO? PRESIONE INICIAR**” aparecerá en la pantalla.
3. Presione la tecla **START/Extra Minute (INICIAR/ Minuto Extra)**. La pantalla muestra “**BLOQUEO ACTIVADO**”.

Recordatorio de Final de la Cocción

Al finalizar la cocción por tiempo, el microondas emitirá una señal cada 10 segundos durante el primer minuto; luego cada 3 minutos hasta que la tecla **Stop/Clear (Detener/ Borrar)** sea presionada, hasta durante una hora.

PARA APAGAR EL RECORDATORIO:

1. Presione la tecla **Setup/Help (Configuración/ Ayuda)** tres veces. La pantalla muestra “**¿SEÑAL DEL RECORDATORIO APAGADA? PRESIONE INICIAR**”.
2. Presione la tecla **START/Extra Minute (INICIAR/ Minuto Extra)**. La pantalla muestra

ACTIVAR EL RECORDATORIO:

Para volver a activar la señal del recordatorio

1. Presione la tecla **Setup/Help (Configuración/ Ayuda)** tres veces. La pantalla muestra “**¿SEÑAL DEL RECORDATORIO ACTIVADA? PRESIONE INICIAR**”.
2. Presione la tecla **START/Extra Minute (INICIAR/ Minuto Extra)**. La pantalla muestra “**SEÑAL DEL RECORDATORIO ACTIVADA**”.

Inicio Automático

Si desea programar el Microondas de Cajón para iniciar la cocción automáticamente en la hora del día designada, siga este procedimiento.

1. Presione la tecla **Setup/Help (Configuración/ Ayuda)** 4 veces. La pantalla muestra “**PRESIONE INICIAR PARA EL INICIO AUTOMÁTICO**”.
2. Presione la tecla **START/Extra Minute (INICIAR/ Minuto Extra)**. **INGRESE LA HORA DE INICIO**.
3. Ingrese una hora de inicio.
4. Presione la tecla **Timer/Clock (Temporizador/ Reloj)**. “**INGRESE EL TIEMPO DE COCCIÓN**” aparecerá en la pantalla.
5. Presione las teclas numéricas para ingresar el tiempo de cocción. “**PRESIONE INICIAR EN 20.00 O PRESIONE EL NIVEL DE POTENCIA**” aparecerá en la pantalla. Presione la tecla **Power Level (Nivel de Potencia)** hasta que el nivel de potencia deseado sea alcanzado. “**PRESIONE INICIAR**” aparecerá en la pantalla.

Modo de Demostración

PARA SELECCIONAR EL MODO DEMO:

1. Presione la tecla **Setup/Help (Configuración/ Ayuda)** cinco veces. La pantalla muestra “**¿DEMO ACTIVADO? MANTENGA PRESIONADO INICIAR 3 SEGUNDOS**”.
2. Mantenga presionada la tecla **START/Extra Minute (INICIAR/ Minuto Extra)** durante 3 segundos. La pantalla muestra “**DEMO ACTIVADO**”.

PARA CANCELAR EL MODO DEMO:

1. Presione la tecla **Setup/Help (Configuración/ Ayuda)** cinco veces. La pantalla muestra “**¿DEMO DESACTIVADO? PRESIONE INICIAR**”.
2. Presione la tecla **START/Extra Minute (INICIAR/ Minuto Extra)**. La pantalla muestra “**DEMO DESACTIVADO**”.

NOTA:

- El Microondas de Cajón no calienta en el Modo Demo.
- La cuenta regresiva es realizada rápidamente en la pantalla.

Modo de Espera

El microondas entrará en el modo de espera luego de un período de inactividad. La luz de fondo de la pantalla se atenuará automáticamente luego de 3 minutos, si la unidad no estuvo en funcionamiento. Si la pantalla está en el modo de espera, simplemente presione el panel de control o abra/ cierre la puerta para que la luz vuelva a tener su brillo máximo.

Exterior

La superficie exterior cuenta con una precapa de metal y plástico. Limpie la parte exterior con agua y un jabón suave; enjuague y seque con una tela seca. No use ningún tipo de limpiador hogareño ni abrasivo.

Superficie de Acero Inoxidable

El exterior debería ser limpiado con frecuencia con una tela suave y húmeda y pulido con una tela suave y seca para mantener su belleza. Existe también una variedad de productos diseñados especialmente para limpiar y dar brillo a la parte exterior de acero inoxidable del horno. Recomendamos que el limpiador sea aplicado a una tela suave y que luego con cuidado sea usado sobre la parte exterior de acero inoxidable, en lugar de rociar directamente la superficie. Lea las instrucciones del paquete detenidamente.

Lado frontal del Cajón

Limpie la ventana a ambos lados con una tela suave y húmeda para eliminar cualquier derrame o salpicadura. Las partes metálicas pueden ser mantenidas más fácilmente si son limpiadas con frecuencia con una tela suave y húmeda. Evite el uso de rociadores y otros limpiadores duros, ya que estos pueden manchar, rayar u opacar la superficie del cajón.

Panel de Control Táctil

Si lo desea, las teclas táctiles se pueden desactivar antes de la limpieza. Lea la información sobre el Control de Bloqueo en la página 17 de este manual. Limpie el panel con una tela levemente húmeda con agua únicamente. Seque con una tela seca. No fregue ni use limpiadores químicos de ningún tipo. Cierre el cajón y siga las instrucciones de la página 17 para apagar el Bloqueo del Control. Presione **Stop/Clear (Detener/Borrar)**.

Interior

Antes de limpiar el Microondas de Cajón, mantenga presionado el botón de Bloqueo del Control por 3 segundos para bloquear la tecla de control y el mecanismo de la puerta automática. El cajón puede ser bloqueado tanto en la posición abierta como cerrada. La pantalla mostrará "LOCK ON" (Bloqueo Activado). Esto evitará que el cajón se abra o se cierre de forma accidental durante la limpieza.

Luego de limpiar, mantenga presionado el botón de Bloqueo del Control por 3 segundos para desactivar el mismo. La pantalla mostrará LOCK OFF (Bloqueo Desactivado).

La limpieza es fácil debido a que no se genera calor en las superficies internas; por lo tanto, no habrá espacios con derrames ni salpicaduras. Para limpiar las superficies internas, incluyendo las superficies selladas del cajón, limpie con una tela suave y húmeda. **NO USE LIMPIADORES ABRASIVOS O DUROS NI ESTROPAJOS.** Para eliminar la suciedad más pesada, use jabón suave; limpie con una tela suave y húmeda. No use limpiadores químicos en el horno.

Pautas del Microondas de Cajón

Elimine las migas usando las pautas del Microondas de Cajón. Limpie con una tela suave y seca a fin de mantener el buen funcionamiento de la apertura y cierre del Microondas de Cajón.

Tapa de la Guía de Ondas

ATENCIÓN: La tapa de la guía de ondas, ubicada en la parte superior interna del área del Microondas de Cajón, está hecha de mica, de modo que requiere un cuidado especial. Mantenga la tapa de la guía de ondas limpia, a fin de asegurar el buen funcionamiento del microondas. Con cuidado limpie con una tela suave y húmeda cualquier salpicadura de comida sobre la tapa, de forma inmediata luego de que esto suceda. La acumulación de salpicaduras podrá generar sobrecalentamiento y generar humo o posiblemente un incendio. No retire la tapa de la guía de ondas.

Eliminación del Olor

De forma ocasional, podrá permanecer el olor de la cocción en el Microondas de Cajón. Para eliminar el olor, combine 1 taza de agua, piel rallada y el jugo de 1 limón y varios dientes de ajo enteros en una taza de medición de vidrio equivalente a 2 tazas para uso seguro en el microondas. Hierva durante varios minutos usando el 100% de la potencia. Deje en el Microondas de Cajón hasta que el agua se enfríe. Limpie el interior con una tela seca.

Consejos para la solución de problemas

Microondas de Cajón

Problema	Causa Posible	Solución
Parte o todo el Microondas de Cajón no funciona	El cable de corriente no está completamente conectado al tomacorriente eléctrico.	Asegúrese de que el cable de corriente esté bien conectado al tomacorriente.
	Corte de corriente	Controle las luces del hogar para estar seguro. Llame a la empresa eléctrica local para solicitar el servicio técnico.
	El fusible/ disyuntor del hogar no funciona.	Reemplace el fusible o reinicie el disyuntor.
	El Cajón está en el Modo Demo.	Lea en la página 18 sobre cómo cancelar el Modo Demo.
La comida no se calienta en el Microondas de cajón	El electrodoméstico no tiene corriente.	Consulte las soluciones anteriores.
	Los controles del Cajón están configurados de forma incorrecta.	Vea si los controles fueron configurados correctamente.
	El Cajón está en Modo Demo.	Lea en la página 18 sobre cómo cancelar el Modo Demo.
La luz del Microondas con Cajón no funciona	La lámpara de luz está suelta o quemada.	Llame al servicio técnico.
Los controles táctiles no funcionan.	El Bloqueo del Control está activado.	Consulte cómo desactivarlo en la página 17.
La pantalla titila.	Corte de corriente	Presione la tecla Clear (Borrar) y reinicie el reloj. Si el Microondas de Cajón estaba en uso, deberá reiniciar la función de cocción.
Vapor desde la ventilación	Durante la cocción con microondas, se puede generar calor desde el lado derecho de la ventilación.	Esto es normal.
Error por Tecla en Cortocircuito	Si una tecla específica entra en cortocircuito o se atora por más de 60 segundos, en la pantalla aparecerá	“TECLA EN CORTOCIRCUITO, LLAME AL SERVICIO TÉCNICO” . Llame al servicio técnico.
Error de Comida Detectado	La comida no fue insertada antes de que una función de cocción fuera seleccionada luego de que el horno haya quedado inactivo por más de 5 minutos.	Aparece en la pantalla el mensaje de error “INSERTAR COMIDA” ; abra el cajón e inserte la comida para iniciar la cocción.
	Si la comida fue dejada en el cajón luego de finalizar la cocción por más de 5 minutos, en la pantalla aparecerá el mensaje de error	“CONTROLE LA COMIDA” ; abra el cajón y retire la comida y controle la misma y cierre el cajón para continuar con la cocción.
La pantalla está oscura	La pantalla está en el modo de espera	Presione el panel de control o abra/ cierre el cajón. Consulte en MODO DE ESPERA la página 18.

Cosas que son Normales de su Microondas de Cajón.

- Vapor que sale alrededor de la puerta.
- Reflejo de luz alrededor de la puerta o la cubierta exterior.
- Luz del horno tenue y cambio del sonido del pitido en niveles de potencia que no son altos.
- Ruido de golpes secos mientras el horno está en funcionamiento.
- Se podrán observar interferencias de TV/ radio mientras usa el horno microondas. De forma similar a la interferencia causada por otros electrodomésticos pequeños, esto no indica que exista un problema con el horno microondas. Enchufe el horno microondas en un circuito eléctrico diferente, aleje la radio o la TV tanto como sea posible del horno microondas, o controle la posición y la señal de la antena de la TV/ radio.

SU GARANTÍA DE MONOGRAM DEL HORNO MICROONDAS

Abroche su recibo aquí. Para acceder al servicio técnico de acuerdo con la garantía deberá contar con la prueba de la fecha original de compra.

QUÉ CUBRE LA GARANTÍA

Desde la Fecha de la Compra Original

GARANTÍA LIMITADA POR DOS AÑOS

Por el período de dos años desde la fecha de compra original, Monogram reemplazará cualquier parte del horno microondas que falle debido a un defecto en los materiales o la fabricación. Durante esta garantía limitada de dos años, Monogram también proveerá, sin costo, todo el trabajo y los costos del servicio relacionados con el reemplazo de la parte que presente defectos.

GARANTÍA LIMITADA DEL TERCER AL QUINTO AÑO

Del tercer al quinto año desde la fecha de compra original, Monogram reemplazará el tubo magnetrón, si el mismo presenta fallas debido a un defecto en los materiales o la fabricación. Durante esta garantía limitada del tercer al quinto año, usted será responsable por el costo de cualquier trabajo o reparación en el hogar.

.....
Todos los servicios de la garantía serán provistos Monogram Centros de servicios de fábrica o por nuestros proveedores de servicios Care® durante el horario normal de trabajo.

Si su aparato necesitara servicio durante el período de garantía o más adelante, llame al 800.444.1845. En Canadá: 888.880.3030.

Cuando llame para solicitar servicio, por favor tenga a mano el número de serie y el número de modelo.

QUÉ NO CUBRE LA GARANTÍA

- Viajes del técnico del servicio a su hogar para enseñarle sobre cómo usar el producto.
- Daños ocasionados sobre el producto por accidente, incendio, inundaciones o catástrofes naturales.
- Instalación inadecuada, entrega o mantenimiento. Si tiene un problema con la instalación, comuníquese con su vendedor o instalador. Usted es responsable de brindar instalaciones adecuadas de conexión eléctrica, escape u otras instalaciones de conexión.
- Daños consecuentes o incidentales causados por posibles defectos de este producto.
- Falta del producto o daño sobre el producto si se produce un abuso, uso inadecuado (por ejemplo: arco eléctrico en una cavidad de la rejilla o metal/ papel de aluminio), o uso diferente para el cual fue diseñado o uso comercial.
- Daño ocasionado después de la entrega.
- Reemplazo de fusibles de la casa o reinicio de disyuntores.
- Producto no accesible para brindar el servicio requerido.
- Servicio técnico para reparar o reemplazar las lámparas, excepto las lámparas LED.
- Daños sobre el acabado, tales como óxido sobre la superficie, deslustre, o manchas pequeñas no informadas dentro de las 48 horas luego de la entrega.

EXCLUSIÓN DE GARANTÍAS IMPLÍCITAS

Su única y exclusiva alternativa es la reparación del producto, como se indica en la Garantía Limitada. Las garantías implícitas, incluyendo garantías implícitas de comerciabilidad o conveniencia sobre un propósito particular, se limitan a un año o al período más corto permitido por la ley.

Esta garantía se extiende al comprador original y a cualquier dueño subsiguiente de productos comprados para uso hogareño dentro de EE.UU. Si el producto se encuentra en un área donde no se encuentra disponible un proveedor autorizado del servicio técnico, usted será responsable por el costo de un viaje o se le podrá requerir que traiga el producto a una ubicación Autorizada del Servicio Técnico. En Alaska, la garantía excluye el costo de envío o llamadas del servicio a su hogar. Algunos estados no permiten la exclusión o limitación de daños fortuitos o consecuentes. Esta garantía le da derechos legales específicos y es posible que tenga otros derechos legales que varían entre un estado y otro. Para conocer cuáles son sus derechos legales, consulte a la oficina de asuntos del consumidor local o estatal o al Fiscal de su estado.

Garantías Extendidas: Adquiera una garantía extendida de Monogram y conozca los descuentos especiales que están disponibles mientras su garantía aún está vigente. Visite **Monogram.com** o comuníquese al 800.444.1845 para conocer más sobre cómo hacer su adquisición.

Garante en EE.UU.: GE Appliances, a Haier company

Garante en Canadá: MC Commercial, Burlington, ON, L7R 5B6

Con la adquisición de su nuevo electrodoméstico Monogram, esté seguro de que si alguna vez necesita información o asistencia de Monogram, allí estaremos. ¡Todo lo que tiene que hacer es llamar!

Registre su Electrodoméstico

¡Registre su electrodoméstico nuevo a través de Internet, según su conveniencia! Un registro puntual de su producto permitirá una mejor comunicación y un servicio más puntual de acuerdo con los términos de su garantía, en caso de surgir la necesidad. También puede enviar una carta en la tarjeta de inscripción preimpresa que se incluye con el material embalado.

En EE.UU.: **Monogram.com**

En Canadá: **Prodsupport.mabe.ca/crm/Products/ProductRegistration.aspx**

Servicio Programado

El servicio de reparación de expertos de Monogram está a sólo un paso de su puerta. Conéctese a través de Internet y programe su servicio a su conveniencia cualquier día del año.

En EE.UU.: **Monogram.com** o comuníquese al 800-444-1845 durante el horario de atención comercial.

En Canadá: **Monogram.ca** o llame al 888.880.3030

Garantías Extendidas

Adquiera una garantía extendida de Monogram y conozca los descuentos especiales que están disponibles mientras su garantía aún está vigente.

En EE.UU.: **Monogram.com** o comuníquese al 800-444-1845 durante el horario de atención comercial.

En Canadá: **Monogram.ca** o llame al 800.290.9029

Piezas y Accesorios

Aquellos individuos calificados para realizar el servicio técnico de sus propios electrodomésticos podrán solicitar el envío de piezas o accesorios directamente a sus hogares (se aceptan las tarjetas VISA, MasterCard y Discover). Ordene hoy a través de Internet durante las 24 horas, todos los días.

En EE.UU.: **Monogram.com** o de forma telefónica al 800-444-1845 durante el horario de atención comercial.

Las instrucciones que figuran en este manual cubren los procedimientos que serán realizados por cualquier usuario. Otros servicios técnicos generalmente deben ser derivados a personal calificado del servicio. Se deberá tener cuidado, ya que una reparación indebida podrá hacer que el funcionamiento no sea seguro.

Los clientes de Canadá deberán consultar en el centro de servicio Mabe, visitar nuestro sitio web en **Monogram.ca** o llamar al 888.880.3030.