

Installation Instructions

JXBC67 Kit

For Outdoor Remote Blower Locations



WARNING

TO REDUCE THE RISK OF FIRE, ELECTRIC SHOCK OR INJURY TO PERSONS, OBSERVE THE FOLLOWING:

- A. Use this unit only in the manner intended by the manufacturer. If you have questions, contact the manufacturer at the address or telephone number listed in the warranty.
- B. Before servicing or cleaning unit, unplug or switch power off at service panel and lock service disconnecting means to prevent power from being switched on accidentally. When the service disconnecting means cannot be locked, securely fasten a prominent warning device, such as a tag, to the service panel.
- C. Installation work and electrical wiring must be done by qualified person(s) in accordance with all applicable codes and standards, including fire rated construction.
- D. Sufficient air is needed for proper combustion and exhausting of gasses through the flue (chimney) of fuel burning equipment to prevent back drafting. Follow the heating equipment manufacturer's guideline and safety standards such as those published by the National Fire Protection Association (NFPA), and the American Society for Heating, Refrigeration and Air Conditioning Engineers (ASHRAE), and the local code authorities.
- E. When cutting or drilling into a wall, ceiling or floor, do not damage electrical wiring and other hidden utilities.
- F. Ducted fans must always be vented to the outside.
 - For general ventilating use only. Do not use to exhaust hazardous or explosive materials and vapors.



CAUTION:

Before beginning installation, read the Installation Instructions provided with the Downdraft Vent. Insure that the duct run does not exceed maximum permissible length for the cooking product being installed.



AVERTISSEMENT

IL FAUT OBSERVER LES PRÉCAUTIONS SUIVANTES POUR RÉDUIRE LES RISQUES D'INCENDIE, DE CHOC ÉLECTRIQUE OU DE BLESSURES.

- A. Utiliser cet appareil uniquement de la manière prévue par le constructeur. Pour toute question concernant cet appareil, contacter le constructeur à l'adresse ou au numéro de téléphone indiqué dans la garantie.
- B. Avant une intervention ou le nettoyage de l'appareil, le débrancher ou couper l'alimentation électrique au panneau électrique et verrouiller le coupe-circuit pour empêcher la remise accidentelle sous tension. Quand il n'est pas possible de verrouiller le coupe-circuit, mettre fermement en place un dispositif d'avertissement, une pancarte par exemple, sur le panneau électrique.
- C. Les travaux d'installation et de câblage électrique doivent être faits par des personnes qualifiées, conformément aux codes et réglementations, y compris une construction résistant aux incendies.
- D. Il doit y avoir suffisamment d'air pour permettre la combustion et l'évacuation des gaz dans la cheminée de tout équipement à foyer, afin d'éviter un retour de flamme. Il faut suivre les directives du constructeur de l'équipement de chauffage et les normes de sécurité telles que celles publiées par le Code national de prévention des incendies du Canada et l'American Society for Heating, Refrigeration and Air Conditioning Engineers (ASHRAE) et les codes locaux.
- E. Lors de la coupe ou du perçage dans un mur, un plafond ou un sol, il faut prendre soin de ne pas endommager les fils électriques et autres services cachés.
- F. Les ventilateurs canalisés doivent toujours être évacués à l'extérieur.
 - Pour utilisation pour la ventilation générale seulement. Ne pas utiliser pour évacuer des matériaux ou des gaz dangereux ou explosifs.



PRUDENCE

– Avant de commencer l'installation, il faut lire les instructions fournies avec l'évent vertical vers le bas. Vérifier que la longueur du conduit n'est pas supérieure à la longueur maximale permise pour l'appareil de cuisson à installer.



BEFORE YOU BEGIN

Read these instructions completely and carefully.

IMPORTANT - Save these instructions for local inspector's use.

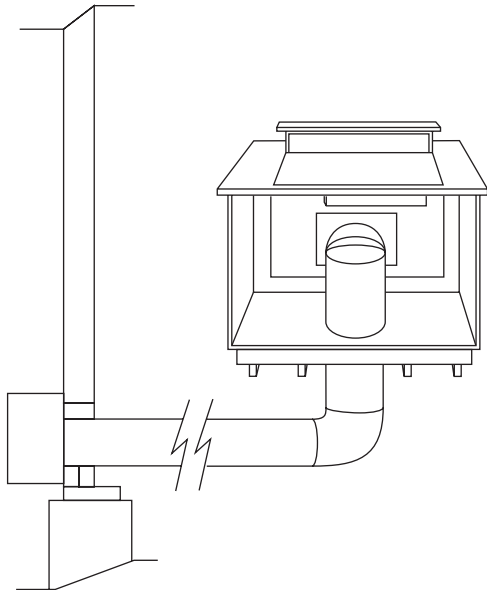
IMPORTANT - Observe All Governing Codes and Ordinances.

Note to Installer - Be sure to leave these instructions with the Consumer.

Note to Consumer - Keep these instructions for future reference.

JXBC67 KIT

The blower and motor assembly can be mounted on an outside wall. This kit provides a means to mount the blower outdoors with a protective cover. It should be installed in an accessible and unobstructed location, at least 10" above the ground.



Materials Required (not supplied)

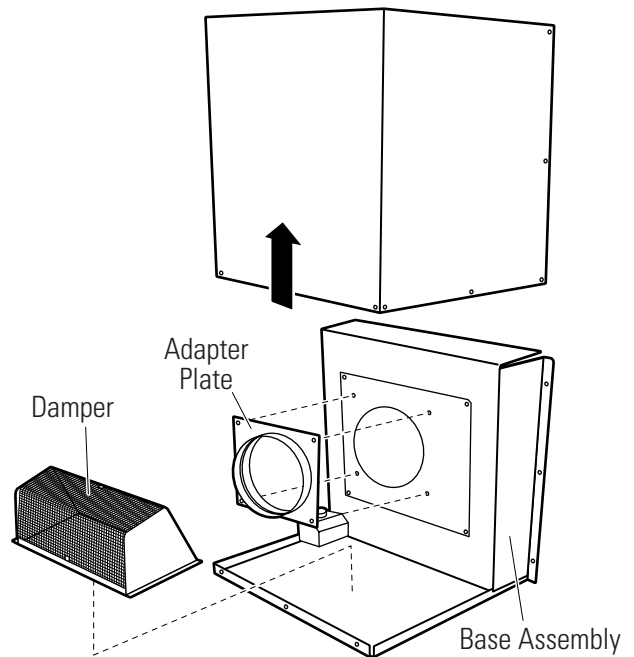
- Approved liquid tight service connections for use between the wire compartment on the base and inside the structure.
- 7 wire nuts or other approved connectors.
- (6) 5/16" dia. fasteners compatible with the type of material the base is being fastened to.
- 6" round duct, sufficient length to reach the outdoor installation location.
- Two 6" round 90° elbows
- 6" round duct, length to reach blower location
- Electrical cable and connectors, sufficient length to connect the downdraft vent to the remote blower location. 14-gauge min. is recommended, must conform to local codes.

Tools required:

- Chalk or Pencil
- Measuring tape
- Drill with appropriate bits
- 1/4", 3/8" and 7/16" Nut driver
- Duct Tape
- Safety glasses

STEP 1 CHECK PARTS SUPPLIED

- Separate the cover from the base assembly by removing 5 screws. Lift off the cover. Retain all screws.
- Remove the damper and the adapter plate. Be careful not to damage the damper.



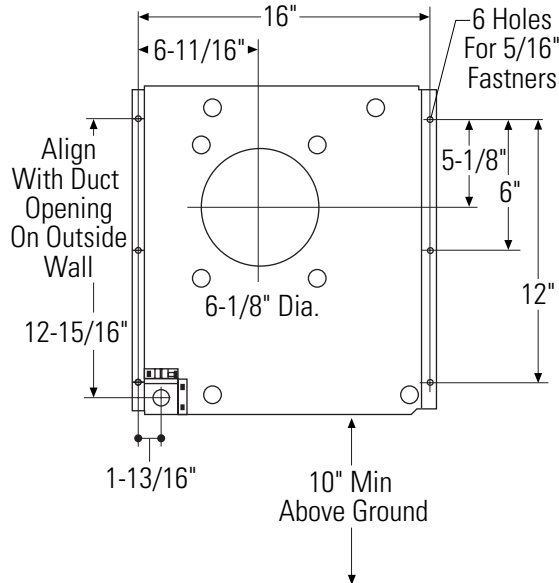
Package of screws

STEP 2 MARK MOUNTING LOCATION

- The base is designed to be mounted to studs 16" on center or to other suitable exterior surfaces. Use the dimensions shown to determine the location of the ducting and wiring through the wall.

OR

- Place the base against the exterior wall and mark the 6 mounting locations, the 6" duct location and the hole for the wiring. Use pencil or chalk.



- The bottom of the base assembly must be 10" Min. above the ground. There should be no obstructions to the discharge from the damper.
- Cut a 6-1/8" Dia. hole in the vertical structure to accommodate a 6" round duct. Cut another hole for the wiring.
- Drill 6 pilot holes through the wall for the 5/16" fasteners (not supplied). Use fasteners appropriate for the type of construction.



CAUTION

When cutting or drilling into a wall or ceiling, do not damage electrical wiring or hidden utilities.



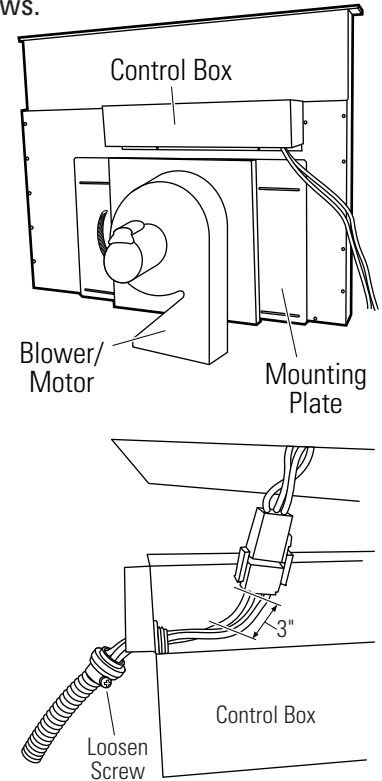
PRUDENCE

Lors de la coupe ou du perçage dans un mur ou un plafond, il faut prendre soin de ne pas endommager les fils électriques et autres services cachés.

- Check for interference with floor joists and stud walls. If necessary, locate the base to provide a secure installation.
- Place a 6" round duct through the hole extending approximately 3" from the wall to provide a proper seal with the blower. Secure the duct to the building structure to prevent it from being pushed back when the blower is installed.

STEP 3 PREPARE THE VENT

- Flatten the shipping box to use as a pad.
- Place the unit on its back and onto the protective pad.
- Remove the 3 screws holding the control box on the plenum. Retain screws.
- Cut the blower leads approximately 3" from the plug on the end of the vent.
- Remove the blower conduit by loosening the screw on the fitting.



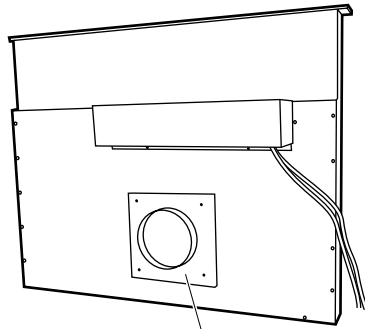
STEP 4 REMOVE THE BLOWER

- Remove the 4 screws holding the blower to the mounting plate. Retain all screws.
- Lift the blower off the assembly, turn it over to access the 4 nuts holding the blower to the mounting plate. Remove the nuts, lift the mounting plate off the blower.
- Reinstall the mounting plate onto the plenum with the 4 original screws.

IMPORTANT: Do not lift motor by power cable. Damage will occur!

STEP 5 INSTALL ADAPTER PLATE

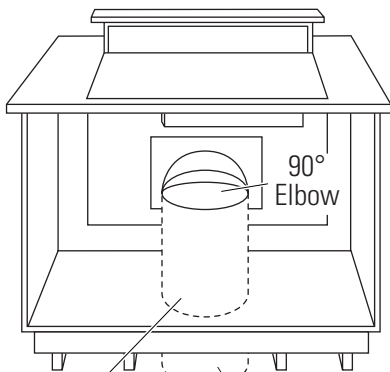
- Install the adapter plate over the mounting plate on the plenum with the flange towards the outside. Use 4 screws provided.



Install Adapter Plate

- Install the vent into the cabinet according to the installation instructions packed with the vent.

STEP 6 CUT DUCTWORK HOLES



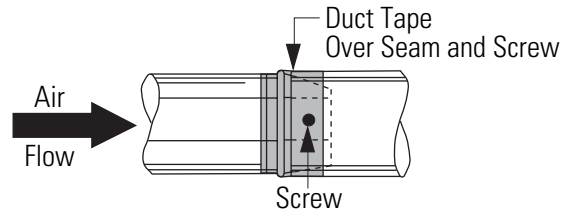
Cut a
6-1/2" Dia.
Hole

Check for
Interference
Below Floor

- Place the 90° elbow over the adapter plate.
 - Mark the location for a 6-1/2" round hole in the floor of the cabinet.
- NOTE:** Check to be sure there is no interference below the cabinet floor. The mounting plate on the plenum can be shifted 3-1/2" to the left or right sides.
- Cut the hole through the cabinet and another hole through the floor below.

STEP 7 CONNECT DUCTWORK

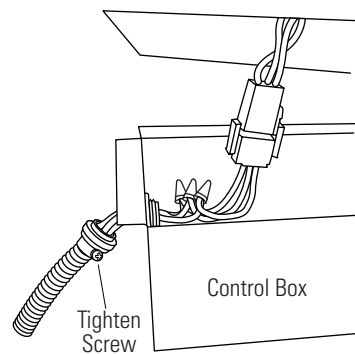
- Install a section of 6" round duct through the cabinet floor.
- Connect the plenum to the ductwork with 90° elbow. Secure the joint with sheet metal screws. Tape to seal all joints.
- Install 6" round duct to reach the outdoor motor assembly.



- DO NOT USE flexible plastic ducting.
- Use the straightest duct run possible.
- For satisfactory performance the duct run should not exceed 150 ft. Refer to the table of equivalent lengths.
- Install ductwork so the piece of duct nearest the downdraft unit slots INTO the next piece of the duct. Secure the joints with self-tapping screws and apply duct tape around the joints to ensure an airtight seal.

STEP 8 CONNECT VENT WIRES

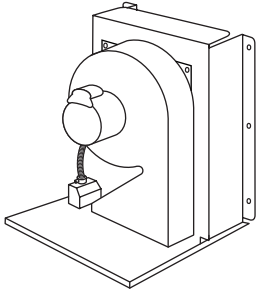
- Use electrical cable and connectors that conform to local codes (14 gauge min. is recommended). Use a length to reach between the vent and the blower/motor location.
- Attach the wire box removed from the blower conduit to the end of new wiring.



- Use wire nuts to secure the wire to the 3" remaining wires with plug.
- Reinstall wire box with original screws.

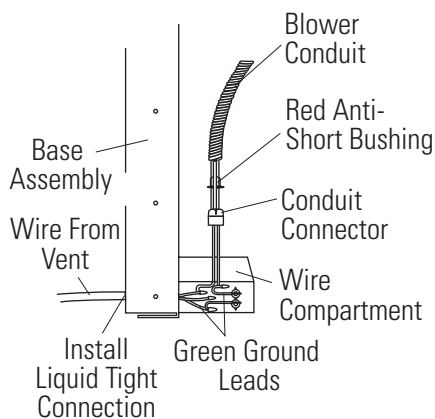
STEP 9 MOUNT BLOWER

- Mount the blower onto the base assembly. The studs on the motor will mate with holes on the assembly. Secure with 4 nuts from the hardware bag.



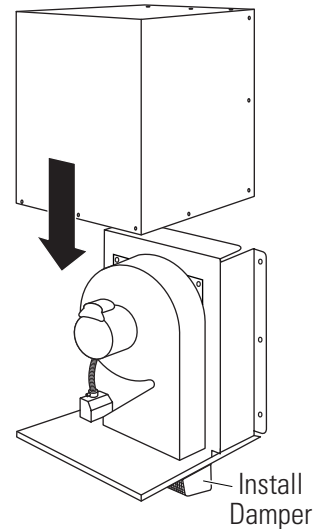
STEP 10 CONNECT BLOWER WIRES

- Check that the red plastic anti-short bushing is secured in the end of the conduit. Install the blower conduit into the conduit connector on the junction box and tighten the screw.
- Run the electrical wiring from the downdraft vent to the wire compartment. Install a liquid tight service connection where the wire enters the compartment. The fitting should be sized to fit wire being used.



- Attach the green ground leads from the wire compartment, connecting one to the green ground lead on the blower and the other to the ground lead of the wiring from the downdraft vent.
- Connect the neutral (white) and power lead (black) from the blower to the leads from the downdraft vent.
- Use wire nuts to connect wires.

STEP 11 FINALIZE INSTALLATION



- Place the cover over the assembled kit and secure with 16 screws.
- Install damper to outlet on the bottom with 4 sheet metal screws. Reach inside the damper to be sure it moves freely.

TEST OPERATION

- Turn power on at the circuit breaker. Plug power cord into a properly grounded receptacle.
- Refer to the Downdraft Vent Owner's Manual for operating instructions.

Notes

Notes
