



Installation Instructions

WARMING DRAWER CUSTOM PANEL ACCESSORY KIT - ZXD27B and ZXD30B

For installation of 27" and 30" wide warming drawer custom panel and custom handle.

? Questions? Call 800.GE.CARES (800.432.2737) or Visit our Website at: www.GEAppliances.com.

BEFORE YOU BEGIN

Read these instructions carefully and completely.

- **IMPORTANT** – Save these instructions for local inspector's use.
- **IMPORTANT** – Observe all governing codes and ordinances.
- **Note to Installer** – Be sure to leave these instructions with the consumer.
- **Note to Consumer** – Keep these instructions for future reference.
- **Skill level** – Installation of this custom panel kit requires a qualified installer or service technician.
- Proper installation is the responsibility of the installer.
- Product failure due to improper installation is NOT covered under the warranty.

TOOL AND MATERIALS REQUIRED

- Safety Glasses
- Phillips screwdriver
- Drill and appropriate bits (Brad point recommended for drilling through wood panels)
- Custom panel
- Custom handle (optional)
- Adhesive recommended for metal to wood
- Adhesive recommended for plastic to wood

PARTS SUPPLIED

- Lamp Jewel
- Metal mounting panel
- Bag of #6 size screws

This kit contains a mounting panel to support a trimless custom drawer front up to 3/4" thick. The tubular handle can be reinstalled onto the custom panel with longer screws (not provided). Or, the original handle can be replaced with a custom handle of your choice. (Handle is not supplied.) Choose a custom handle to match or complement cabinetry hardware.

IMPORTANT: The warming drawer should be installed according to the installation instructions packed with the product. The original drawer front will be removed and replaced with a custom panel.

- Cut edges of the drawer panel will be seen and must be finished for best appearance.

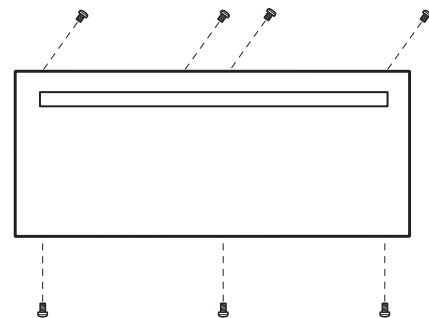
- The custom drawer front panel, both raised and flat design, should be constructed in the same manner as typical cabinet doors.
- Order the custom drawer panel from the cabinet manufacturer. Be sure to provide the exact dimensions so that the panel is constructed accurately.
- Order the optional custom handle to complement or match surrounding cabinetry handles.

STEP 1 PREPARE DRAWER FOR PANEL INSTALLATION

- Open the drawer fully.
- Turn the warming drawer off.

STEP 2 REMOVE ORIGINAL DRAWER FRONT

- Remove seven #8 screws. Remove four from top inside and three from bottom. Set these screws aside – they are no longer needed.
 - Support the drawer front as you remove screws to prevent the possibility of falling.



STEP 3 PREPARE CUSTOM PANEL

- The custom panel size is determined by the cabinetry dimensions and spacings.
- Once the custom panel size is determined, place the metal panel on the custom panel and check the squareness and correct placement of the metal panel, and mark the hole for the indicator light. Confirm that the hole marking provides the indicator light to the right side of the custom panel appearance side.
- Drill a 5/16" hole. A Brad point drill bit is recommended.

Installation Instructions

STEP 4 SECURE CUSTOM PANEL TO METAL MOUNTING PANEL

- Lay the custom panel, appearance side down, on a clean surface.
- Remove all tape and packing material from the metal panel.
- Place the flat side of the metal panel onto the back side of the custom panel, with the mounting flanges facing up.
- Align the lamp hole in the panel with the mounting panel.
- Confirm squareness and correct position of the metal panel to the custom panel.

STEP 5 FOR PANELS LESS THAN 3/4" THICK

- Separate the custom panel and metal panel.
- Apply a few horizontal beads of adhesive to the metal panel. Avoid adhesive within 1" of lamp hole area and outer edges.

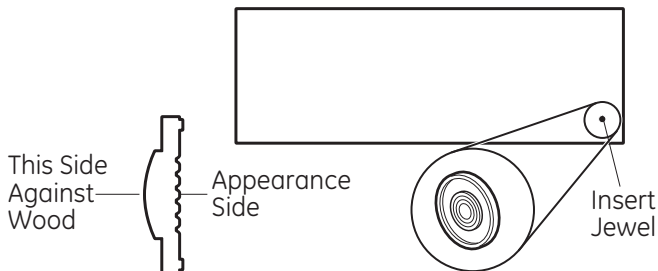
STEP 5A FOR 3/4" (OR GREATER) THICK PANELS

- 3/4" thick panels may be secured to the metal panel with screws.
- Use the metal panel as a template. Position the metal panel over the back side of the custom panel and drill pilot holes. Drill pilot holes sized to match screws being used (screws not provided).

NOTE: Select screw length carefully to avoid penetration of the finished side.

STEP 6 INSTALL LAMP JEWEL

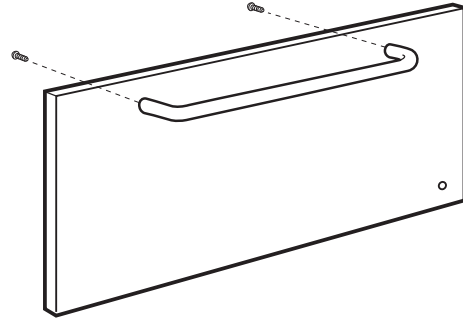
- Turn the assembly appearance side up.
- Use plastic to wood adhesive to secure the lamp jewel to the front of the wood panel. On the side with the bulge, (see illustration) apply a small bead of adhesive around the outside edge. Place the jewel into the drilled hole.



STEP 7 REINSTALL ORIGINAL HANDLE OR OPTIONAL CUSTOM HANDLE

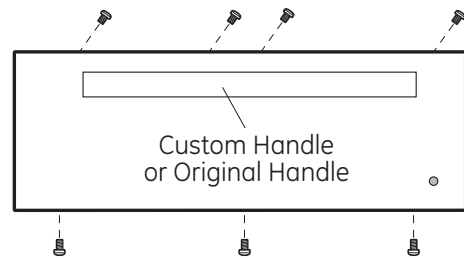
- A custom handle (not supplied) may be installed.
- Drill pilot holes through the front of the custom panel and through the metal panel to match the chosen handle.

NOTE: The handle screws should be installed through the metal panel, the custom panel and into the custom or original handle.



STEP 8 INSTALL ASSEMBLED PANEL TO THE DRAWER

- Determine which holes in the metal panel line up with the holes in the exposed drawer front and marked the screw hole locations onto the custom panel.
- Drill 1/8" deep holes into the custom panel for clearance to the #6 screws. The #6 screws will extend into the custom panel slightly.
- Using the #6 screws supplied in the bag, install the custom panel assembly to the exposed drawer front with seven screws.
- The original #8 screws are not needed.



NOTE: Product improvement is a continuing endeavor at General Electric. Therefore, materials, appearance and specifications are subject to change without notice.