

GSC22QGT

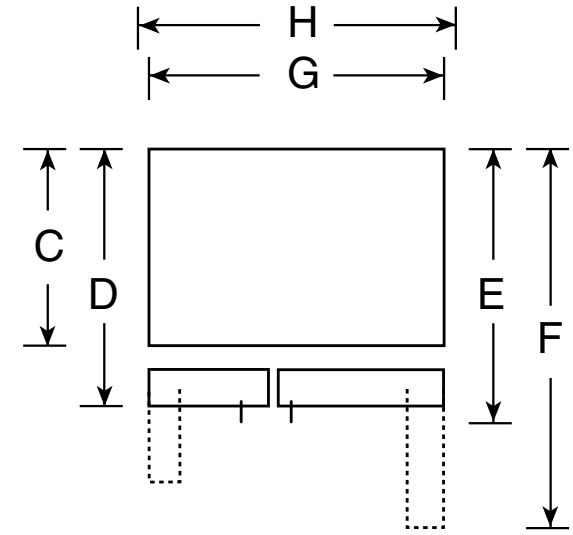
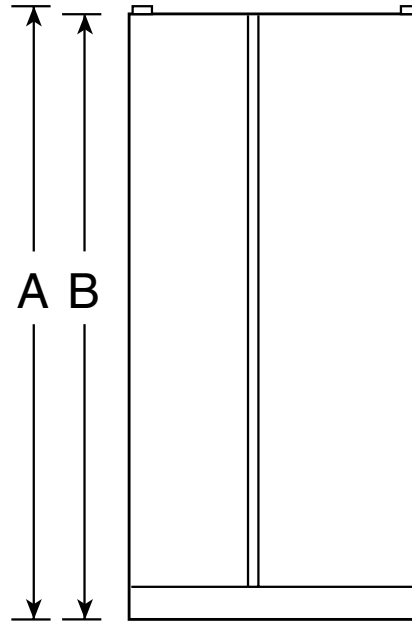
GE® 22.1 Cu. Ft. Side-By-Side Refrigerator with Dispenser

Dimensions and Installation Information (in inches)

Overall Dimensions	Height to top of hinge (in.) A	69-5/8
	Height to top of case (in.) B	69
	Case depth without door (in.) C†	23-7/8
	Case depth less door handle (in.) D†	27-1/8
	Case depth with door handle (in.) E†	29-5/8
	Depth with fresh food door open 90° (in.) F†	46
	Width (in.) G	35-3/4
	Width with door open 90° inc. door handle (in.) H	41
Air Clearances	Each side (in.)	1/8
	Top (in.)	1
	Back (in.)	1/2

†Water hook-up fits in back air clearance when calculating installation depth.

Allow additional space for any necessary leveling adjustments.



Top View

For answers to your Monogram®, GE Profile™ or GE® appliance questions, visit our website at geappliances.com or call GE Answer Center® service, 800.626.2000.

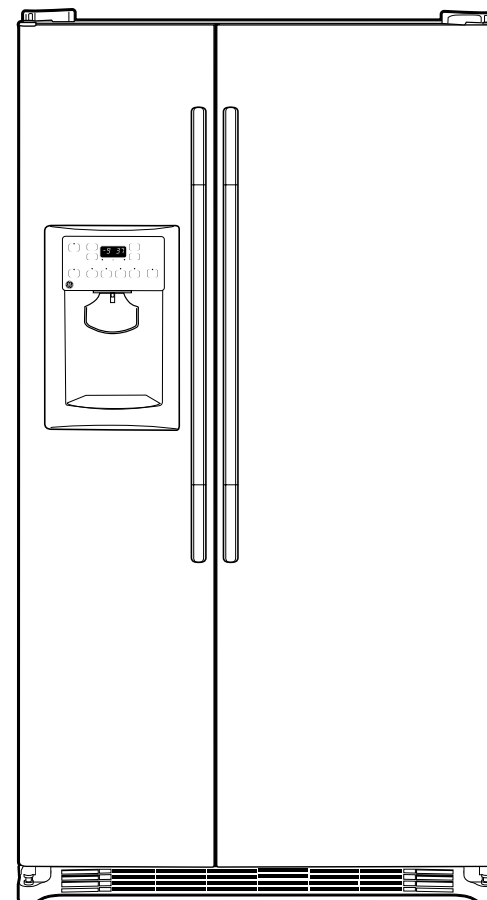


GSC22QGT

GE® 22.1 Cu. Ft. Side-By-Side Refrigerator with Dispenser

Features and Benefits

- Counter-depth configuration - Counter-depth configuration makes it possible to have the look of a built-in without the added expense
- ClimateKeeper™ system - Electronic controls, multiple electronic sensors and a multi-flow air system help provide even cooling
- External controls with actual-temperature display and UltraFlow64 - See the exact temperature and dispense 64 ounces of filtered water per minute
- Freshness Center™ (3-Stack Drawer System) - Maintain fresh tastes with three specialized drawers that control humidity and temperature
- Adjustable ClearLook™ door bins - Store gallon containers with ease in the door and free up valuable shelf space
- Adjustable, slide-out spillproof glass shelves - Adjustable shelves are designed to make clean up quick and easy
- AutoEnergy saver - Senses door openings and adjusts refrigeration operation cycles accordingly
- GE water filtration - one year filter - Removing impurities means fresh-tasting water for your family
- FrostGuard™ technology - Controlled defrosting keeps frozen foods from feeling the burn
- Deluxe quiet design - Significantly reduces unnecessary operating noise in the kitchen
- NeverClean™ condenser - Sealed compartment keeps coils clean and simplifies maintenance
- Model GSC22QGTWW - White
- Model GSC22QGTBB - Black



imagination at work