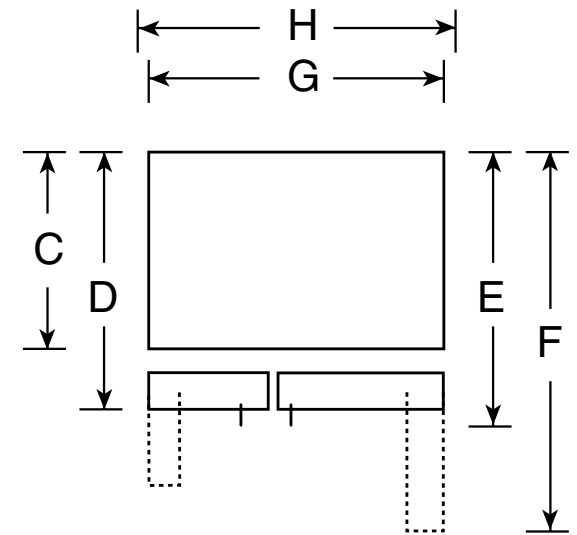
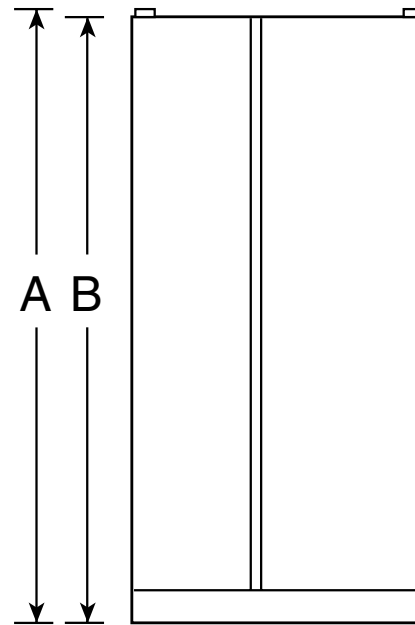


GSCS3PGX

GE® Counter-Depth 22.7 Cu. Ft. Side-By-Side Refrigerator with Dispenser

Dimensions and Installation Information (in inches)

Overall Dimensions	Height to top of hinge (in.) A	69-1/4
	Height to top of case (in.) B	68-3/4
	Case depth without door (in.) C†	23-7/8
	Case depth less door handle (in.) D†	26-3/4
	Case depth with door handle (in.) E†	29-1/4
	Depth with fresh food door open 90° (in.) F†	45-5/8
	Width (in.) G	35-3/4
Air Clearances	Width with door open 90° inc. door handle (in.) H	41
	Each side (in.)	1/8
	Top (in.)	1
	Back (in.)	1/2



Top View

†Water hook-up fits in back air clearance when calculating installation depth.

If installed against a wall, allow clearance of 10-3/4" on freezer side to remove bin.

Clearance required to remove fresh food full-size pan without disassembling is 15".

Allow additional space for any necessary leveling adjustments.

For answers to your Monogram,® GE Profile™ or GE® appliance questions, visit our website at ge.com or call GE Answer Center® service, 800.626.2000.



Total volume and shelf area are calculated by the Association of Home Appliance Manufacturers' standards.

GSCS3PGX

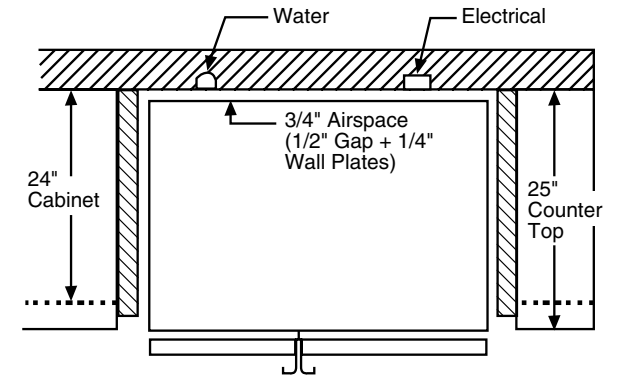
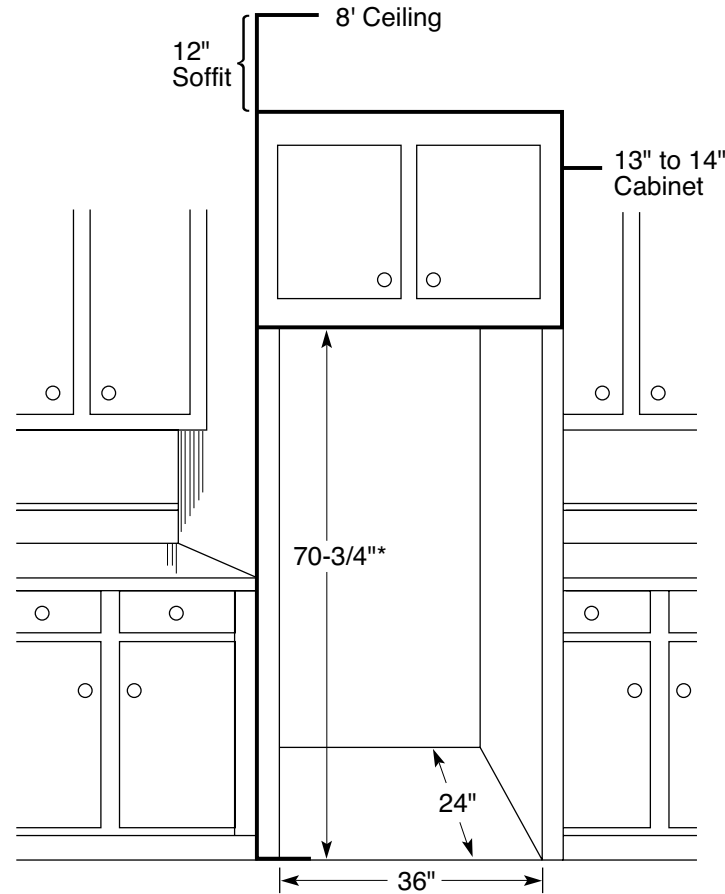
GE® Counter-Depth 22.7 Cu. Ft. Side-By-Side Refrigerator with Dispenser

Rough-In Dimensions

Standard, New Construction and Replacement Installation

Installation Tips to Maximize the Built-In Look

- All wall/floor molding should be removed prior to installation.
- Water recess on rear wall recommended to prevent water line damage. 48" minimum length, 1/4" diameter water line tubing recommended.
- When possible, recess both copper water line and electrical outlet. (See local codes)
- Front and rear leveling legs are adjustable for the built-in look. (See owner's manual)
- If optional collar trim kit is to be used or anticipated, see collar trim installation on next page for different rough-in dimensions.



*The rough-in dimension of 70-3/4" is minimum and is measured from the finished floor to top of opening (or the underside of the overhead cabinets). For Models with Trim Kit: If frameless style cabinets are planned for above the refrigerator, you may need to consider adding a maximum of 1/4" (71") to height of opening to allow additional clearance between cabinet doors and top of refrigerator trim when cabinet doors are in open position.



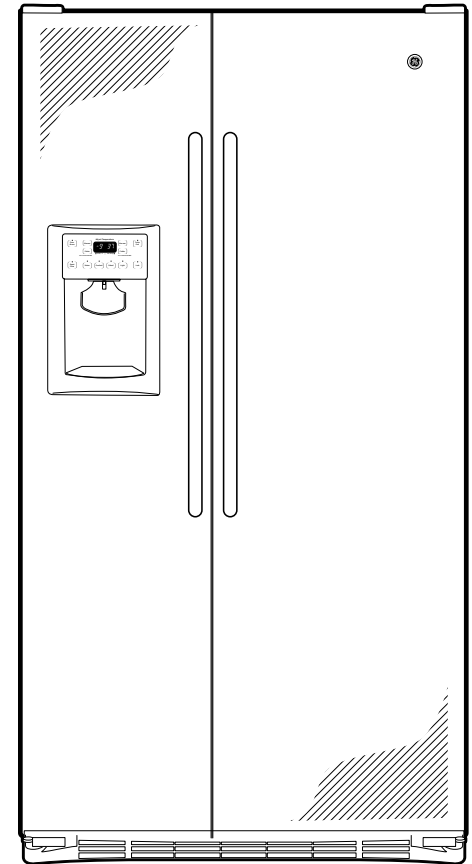
imagination at work

GSCS3PGX

GE® Counter-Depth 22.7 Cu. Ft. Side-By-Side Refrigerator with Dispenser

Features and Benefits

- Counter-depth configuration - Counter-depth configuration makes it possible to have the look of a built-in without the added expense
- Stainless steel exterior - Stainless steel adds elegance to any kitchen décor
- ClimateKeeper™ system - Electronic controls, multiple electronic sensors and a multi-flow air system help provide even cooling
- External controls with actual-temperature display and UltraFlow100 - See the exact temperature and dispense 100 ounces of filtered water per minute
- Quick Ice™ setting - Speed up your icemaker to keep up with your life
- Integrated Ice™ system - Designed to give you more room to store your favorite frozen foods
- TurboCool™ setting - Restores proper temperature to the refrigerator after frequent door openings
- Integrated shelf support system - Strong shelf supports add a contemporary look
- Adjustable ClearLook™ door bins - Store gallon containers with ease in the door and free up valuable shelf space
- In-the-door beverage rack - Beverages are easy to grab when you're on the go
- Adjustable, slide-out spillproof glass shelves - Adjustable shelves are designed to make clean up quick and easy
- GE water filtration - one year filter - Removing impurities means fresh-tasting water for your family
- FrostGuard™ technology - Controlled defrosting keeps frozen foods from feeling the burn
- Premium quiet design - Enjoy the sound of GE's most advanced sound control system
- Model GSCS3PGXSS - Stainless steel



imagination at work