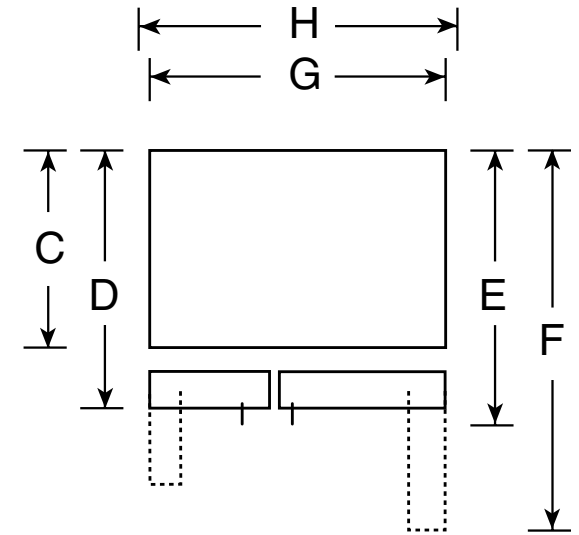
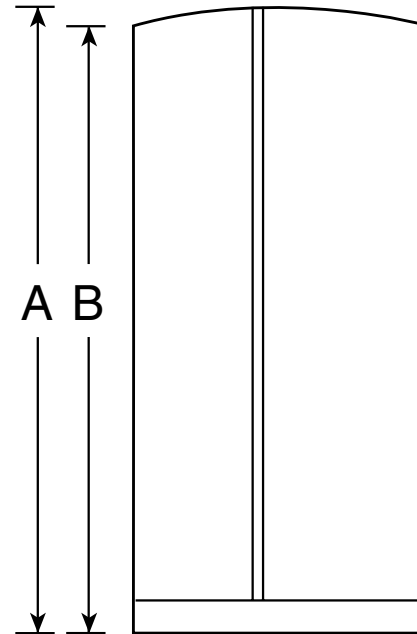


GSHS5PGX

GE® 25.4 Cu. Ft. Side-By-Side Refrigerator

Dimensions and Installation Information (in inches)

| | | |
|--------------------|--|--------|
| Overall Dimensions | Height to top of hinge (in.) A | 69-1/2 |
| | Height to top of case (in.) B | 68-3/4 |
| | Case depth without door (in.) C† | 28 |
| | Case depth less door handle (in.) D† | 32-1/2 |
| | Case depth with door handle (in.) E† | 35 |
| | Depth with fresh food door open 90° (in.) F† | 50-1/8 |
| | Width (in.) G | 35-3/4 |
| | Width with door open 90° inc. door handle (in.) H | 43-5/8 |
| Air Clearances | Each side (in.) | 1/8 |
| | Top (in.) | 1 |
| | Back (in.) | 1 |



Top View

†Water hook-up fits in back air clearance when calculating installation depth.

If installed against a wall, allow clearance of 14-3/16" on freezer side to remove bin.

Clearance required to remove fresh food full-size pan without disassembling is 18-15/16".

Allow additional space for any necessary leveling adjustments.

For answers to your Monogram,® GE Profile™ or GE® appliance questions, visit our website at ge.com or call GE Answer Center® service, 800.626.2000.



imagination at work



Listed by
Underwriters
Laboratories



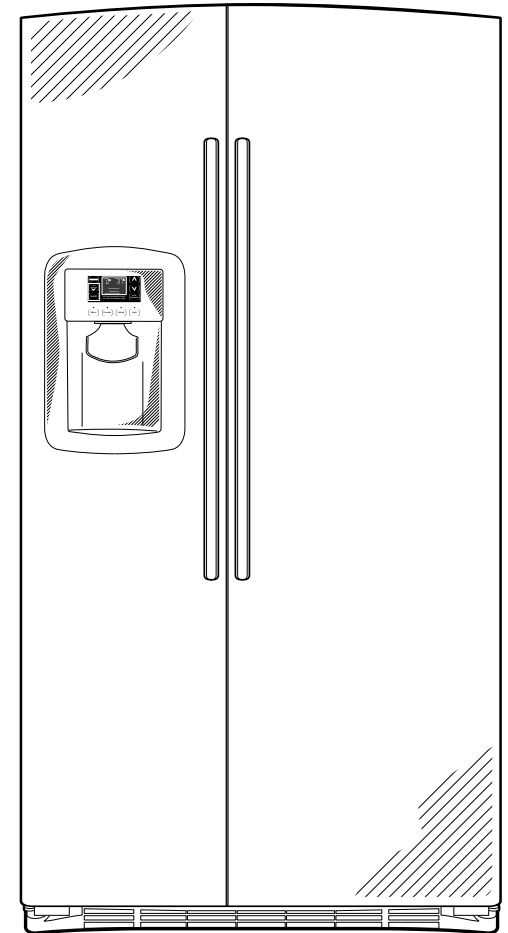
As an ENERGY STAR® partner, GE has determined that this product meets the ENERGY STAR guidelines for energy efficiency.

GSHS5PGX

GE® 25.4 Cu. Ft. Side-By-Side Refrigerator

Features and Benefits

- Stainless-Steel Crown Doors with Hidden Hinges - Create a high-fashion look with contoured doors with concealed hinges
- External Controls with Actual Temperature Display and UltraFlow100 - Eliminates the guesswork in setting refrigerator temperatures; dispenses 100 ounces of filtered water per minute
- Quick Ice™ Option - Makes ice up to 50% faster than normal settings-ideal for entertaining
- TurboCool™ Setting - Cools the refrigerator quickly after frequent door openings
- Freshness Center™ (3-pan stack) - Maximizes shelf space by utilizing an adjustable temperature top drawer and two humidity-controlled lower drawers
- Integrated Ice™ System - Frees up valuable freezer space; It tilts down, providing easy access to bulk ice
- In-the-Door Beverage Rack - Conveniently located inside the refrigerator door to increase flexibility and to free up valuable shelf space
- Integrated Shelf Support System - Provides strong, yet flexible support
- QuickSpace™ Shelf - Quickly slides out of the way to make room for tall items
- GE Water Filtration System - Delivers clean great-tasting water and ice through the LightTouch! Dispenser
- FrostGuard™ Technology - Protects frozen items from freezer burn by monitoring freezer door openings and defrosting only when needed
- Model GSHS5PGXSS - Stainless steel



As an ENERGY STAR® partner, GE has determined that this product meets the ENERGY STAR guidelines for energy efficiency.