

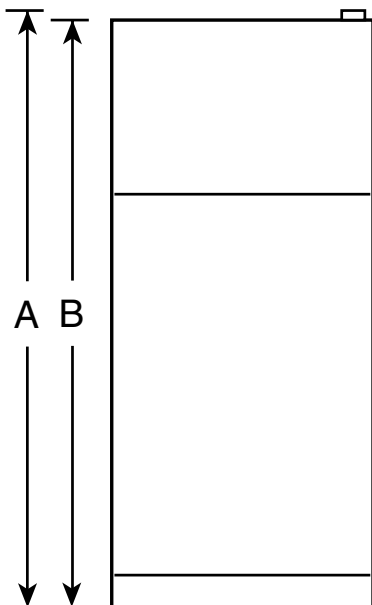


GE Appliances

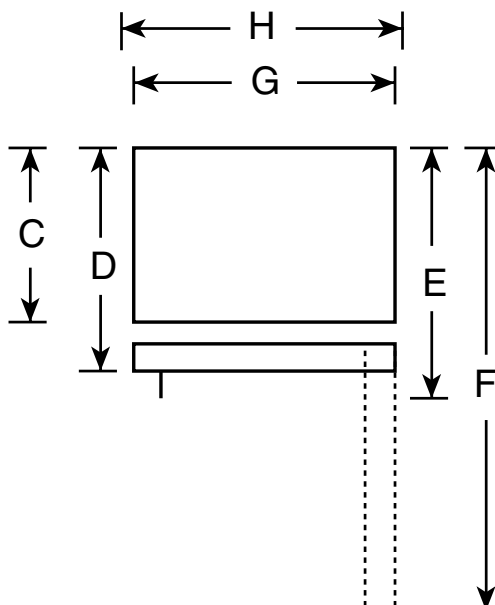
# GTH18DBR – GE® ENERGY STAR® 18.0 Cu. Ft. Capacity Top-Freezer Refrigerator

Dimensions (in inches)

Front View



Top View



Overall Dimensions	Height to top of hinge (in.) <b>A</b>	<b>66-5/8</b>
	Height to top of case (in.) <b>B</b>	<b>66-1/8</b>
	Height to mid-freezer (in.)	<b>53-5/16</b>
	Case depth without door (in.) <b>C</b>	<b>27-1/2</b>
	Case depth less door handle (in.) <b>D</b>	<b>30-1/4</b>
	Case depth with door handle (in.) <b>E</b>	<b>32-1/8</b>
	Depth with fresh food door open 90° (in.) <b>F</b>	<b>58-1/8</b>
	Width (in.) <b>G</b>	<b>29-1/2</b>
Air Clearances	Width with door open 90° with door handle (in.) <b>H</b>	<b>32</b>
	Each side (in.)	<b>1/8</b>
	Top (in.)	<b>1</b>
	Back (in.)	<b>1</b>

**Note: All Top-Freezer No-Frost Right-Hand Refrigerator Doors:** As you face the front of the refrigerator, the handle is on your left and the hinges are on your right.  
**All Top-Freezer No-Frost Left-Hand Refrigerator Doors:** As you face the front of the refrigerator, the handle is on your right and the hinges are on your left.



Total volume and shelf area are calculated by the Association of Home Appliance Manufacturers' standards.



As an ENERGY STAR® partner, GE has determined that this product meets the ENERGY STAR guidelines for energy efficiency.



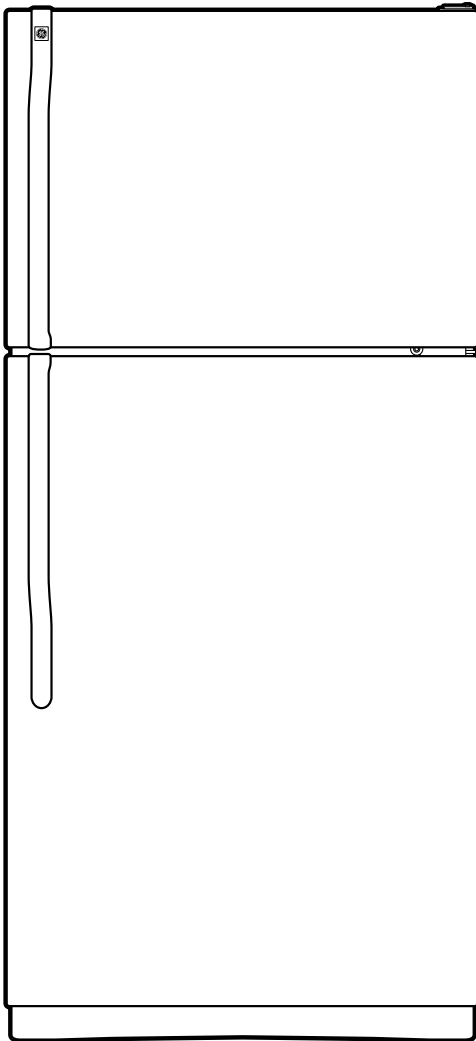
Listed by Underwriters Laboratories

For answers to your Monogram,® GE Profile™ or GE® appliance questions, visit our website at [GEAppliances.com](http://GEAppliances.com) or call GE Answer Center® service, 800.626.2000.



**GE Appliances**

## **GTH18DBR – GE® ENERGY STAR® 18.0 Cu. Ft. Capacity Top-Freezer Refrigerator**



### **Features and Benefits**

- Upfront Temperature Controls – Are positioned up front, close at hand, for maximum convenience and ease of use
- Sealed Vegetable/Fruit Crispers – Help preserve fruits and vegetables
- Spillproof Freezer Floor – Seamless design offers easy cleanup
- Gallon Door Storage – Makes room for milk and other gallon size containers
- NeverClean™ Condenser – Condenser coils are encased, so they don't require cleaning in normal operating environments
- Deluxe Quiet Design – Significantly reduces operating noise
- Model GTH18DBRWW – White on white
- Model GTH18DBRCC – Bisque on bisque
- Model GTH18DBRBB – Black on black

**Specification Revised 7/06**

310313



As an ENERGY STAR® partner, GE has determined that this product meets the ENERGY STAR guidelines for energy efficiency.