

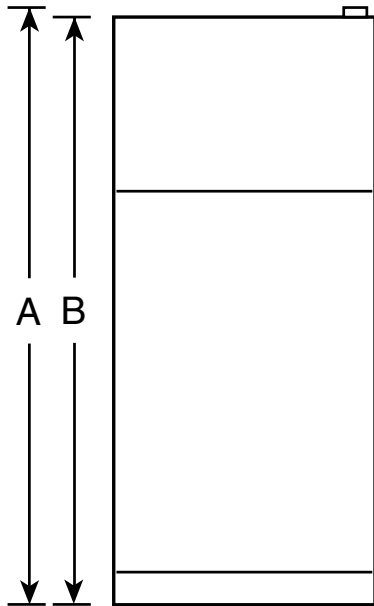


GE Appliances

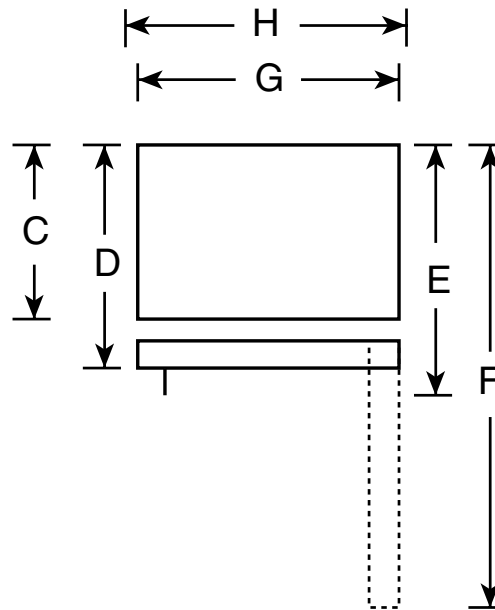
GTH18KBR – GE® ENERGY STAR® 17.9 Cu. Ft. Capacity Top-Freezer Refrigerator

Dimensions (in inches)

Front View



Top View



Overall Dimensions	Height to top of hinge (in.) A	66-5/8
	Height to top of case (in.) B	66-1/8
	Height to mid-freezer (in.)	53-5/16
	Case depth without door (in.) C	27-1/2
	Case depth less door handle (in.) D	30-1/4
	Case depth with door handle (in.) E	32-1/8
	Depth with fresh food door open 90° (in.) F	58-1/8
	Width (in.) G	29-1/2
	Width with door open 90° with door handle (in.) H	32
Air Clearances	Each side (in.)	1/8
	Top (in.)	1
	Back (in.)	1

Note: All Top-Freezer No-Frost Right-Hand Refrigerator Doors: As you face the front of the refrigerator, the handle is on your left and the hinges are on your right.
All Top-Freezer No-Frost Left-Hand Refrigerator Doors: As you face the front of the refrigerator, the handle is on your right and the hinges are on your left.



Total volume and shelf area are calculated by the Association of Home Appliance Manufacturers' standards.



As an ENERGY STAR® partner, GE has determined that this product meets the ENERGY STAR guidelines for energy efficiency.



Listed by Underwriters Laboratories

Specification Revised 4/06

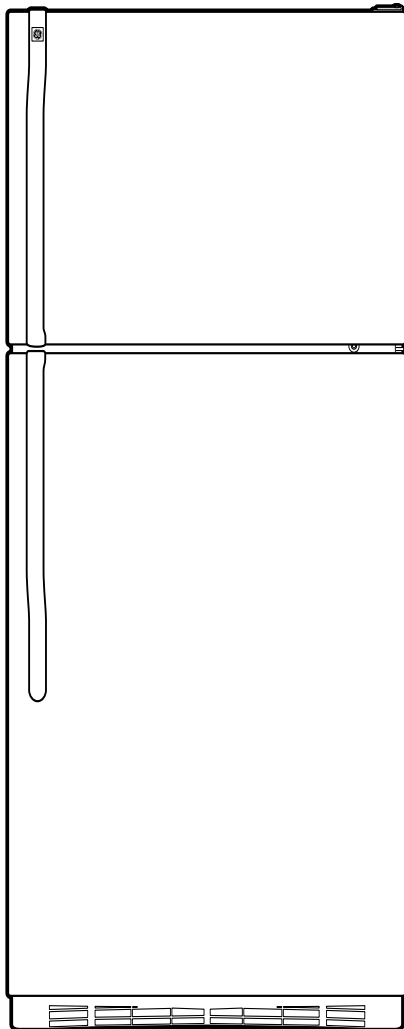
310315

For answers to your Monogram®, GE Profile™ or GE® appliance questions, visit our website at GEAppliances.com or call GE Answer Center® service, 800.626.2000.



GE Appliances

GTH18KBR – GE® ENERGY STAR® 17.9 Cu. Ft. Capacity Top-Freezer Refrigerator



Features and Benefits

- Spillproof Glass Shelves – Helps contain spills for ease of cleaning
- Illuminated Upfront Slimline Temperature Controls – Offer maximum style and convenience
- Adjustable Humidity Vegetable/Fruit Crispers – Provide the ideal storage environment for fruits and vegetables
- Spillproof Freezer Floor – Seamless design offers easy cleanup
- Adjustable Gallon Door Bins – Make room for milk and other gallon-size containers
- NeverClean™ Condenser – Condenser coils are encased, so they don't require cleaning in normal operating environments
- Deluxe Quiet Design – Significantly reduces operating noise
- Model GTH18KBRWW – White on white
- Model GTH18KBRCC – Bisque on bisque
- Model GTH18KBRBB – Black on black

Specification Revised 4/06

310315



As an ENERGY STAR® partner, GE has determined that this product meets the ENERGY STAR guidelines for energy efficiency.