

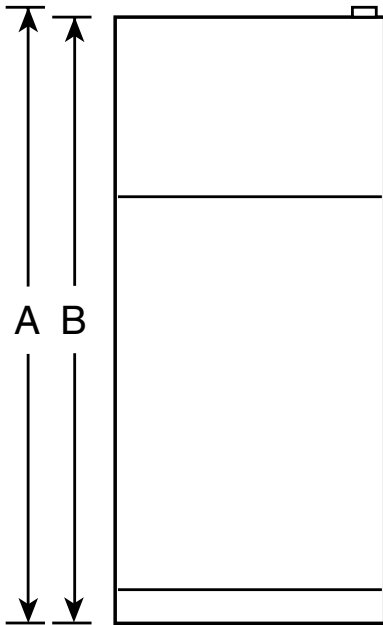


GE Appliances

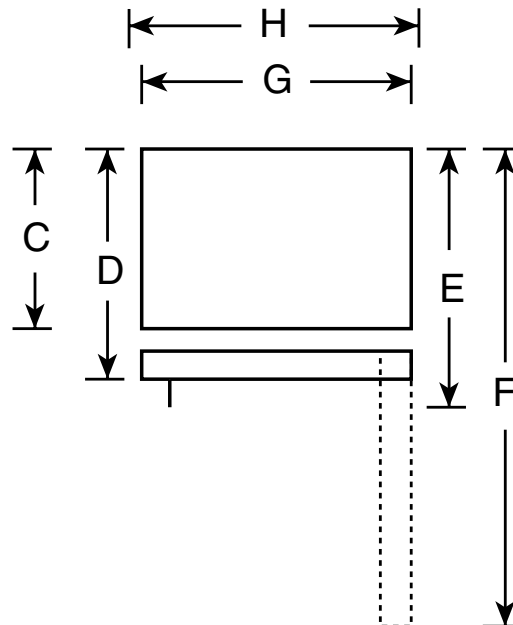
GTL18JCP – GE 18.0 Cu. Ft. Top-Freezer Refrigerator with Icemaker

Dimensions (in inches)

Front View



Top View



Overall Dimensions	Height to top of hinge (in.) A	66-5/8
	Height to top of case (in.) B	66-1/8
	Height to mid-freezer (in.)	53-15/16
	Case depth without door (in.) C	27-1/2
	Case depth less door handle (in.) D	30-1/4
	Case depth with door handle (in.) E	32-1/8
	Depth with fresh food door open 90° (in.) F	58-1/8
	Width (in.) G	29-1/2
	Width with door open 90° with door handle (in.) H	32-1/8
Air Clearances	Each side (in.)	1/8
	Top (in.)	1
	Back (in.)	1

Note: All Top-Freezer No-Frost Right-Hand Refrigerator Doors: As you face the front of the refrigerator, the handle is on your left and the hinges are on your right.
All Top-Freezer No-Frost Left-Hand Refrigerator Doors: As you face the front of the refrigerator, the handle is on your right and the hinges are on your left.



Total volume and shelf area are calculated by the Association of Home Appliance Manufacturers' standards.



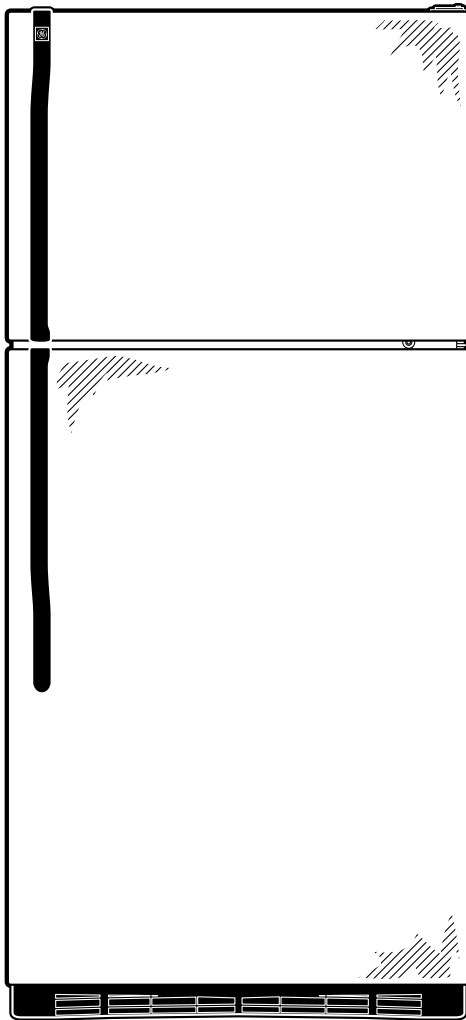
Listed by Underwriters Laboratories





GE Appliances

GTL18JCP – GE 18.0 Cu. Ft. Top-Freezer Refrigerator with Icemaker



Features and Benefits

- Cleansteel™ Exterior – Offers a premium stainless look that resists fingerprints, smudges, and smears.
- Spill Proof Glass Shelves – Shelves slide out, and spills stay put.
- Illuminated Upfront Slimline Temperature Controls – Offer maximum style and convenience.
- Sealed Vegetable/Fruit Crisper – Provides the ideal storage environment for fruits and vegetables.
- Automatic Moisture Control – Electronic sensors automatically control moisture, adjusting to room humidity changes.
- Spill Proof Freezer Floor – Seamless design offers easy cleanup.
- Gallon Door Storage – Makes room for milk and other gallon-size containers.
- Model GTL18JCPBS – Cleansteel™

Specification Revised 8/06

310356