

PCF23NGT

GE Profile CustomStyle™ 22.6 Cu. Ft. Side-by-Side Refrigerator with Integrated Dispenser

Dimensions and Installation Information

Overall Dimensions	Height to top of hinge (in.) A	69-1/4
	Height to top of case (in.) B	68-3/4
	Case depth without door (in.) C†	23-7/8
	Case depth less door handle (in.) D†	26-3/4
	Case depth with door handle (in.) E†	29-3/16
	Depth with fresh food door open 90° (in.) F†	45-9/16
	Width (in.) G	35-3/4
	Width with door open 90° inc. door handle (in.) H	41
Air Clearances	Each side (in.)	1/8
	Top (in.)	1
	Back (in.)	1/2

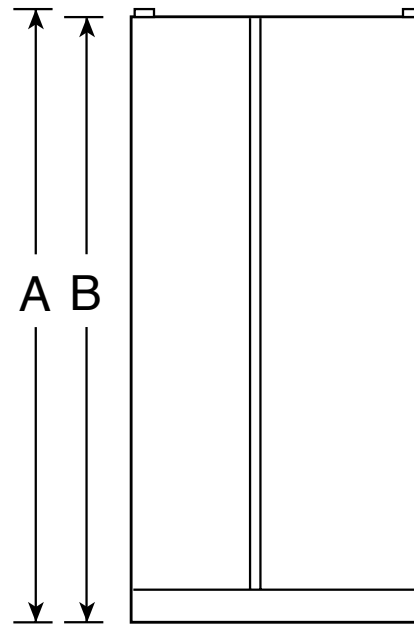
†Water hook-up fits in back air clearance when calculating installation depth.

If installed against a wall, allow clearance of 14-3/16" on freezer side to remove bin.

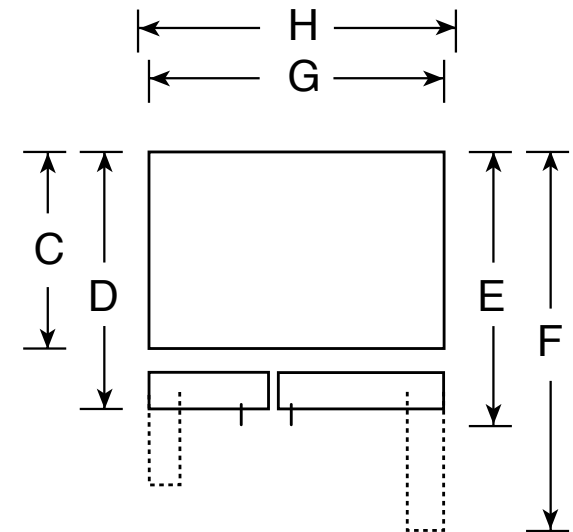
Clearance required to remove fresh food full-size pan without disassembling is 18-15/16".

Allow additional space for any necessary leveling adjustments.

For answers to your Monogram®, GE Profile™ or GE® appliance questions, visit our website at ge.com or call GE Answer Center® service, 800.626.2000.



Front View



Top View

Dimension and installation information are shown in inches.



imagination at work



PCF23NGT

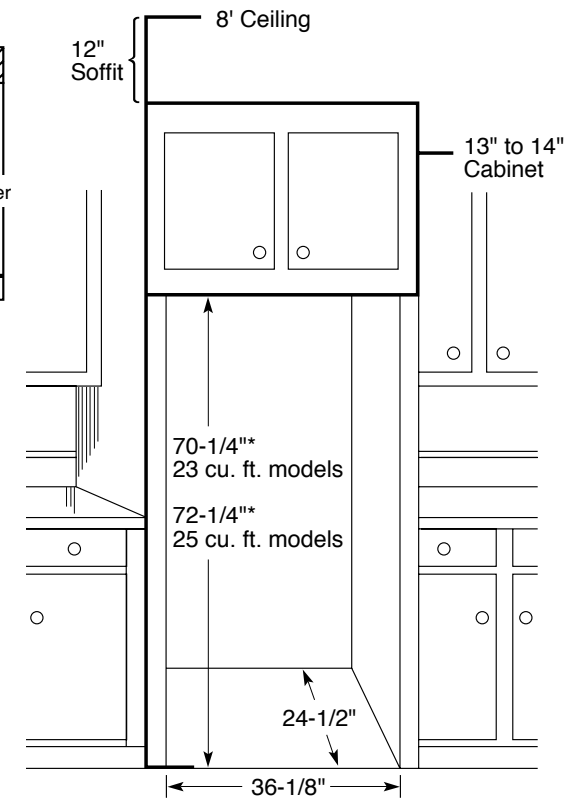
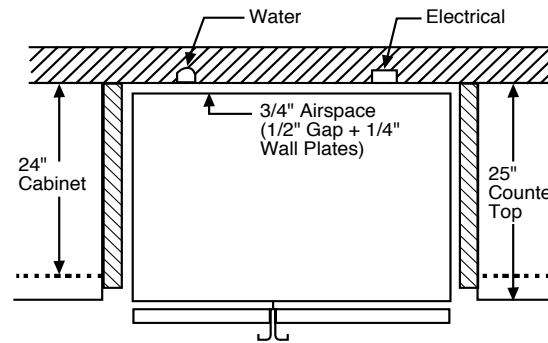
GE Profile CustomStyle™ 22.6 Cu. Ft. Side-by-Side Refrigerator with Integrated Dispenser

Rough-In Dimensions and Installation Information

Installation Tips to Maximize the Built-In Look

- All wall/floor molding should be removed prior to installation.
- Water recess on rear wall recommended to prevent water line damage. 48" minimum length, 1/4" diameter water line tubing recommended.
- When possible, recess both copper water line and electrical outlet. (See local codes)
- Front and rear leveling legs are adjustable for the built-in look. (See owner's manual)

*The rough-in dimensions of 70-1/4"/72-1/4" are minimum and measured from the finished floor to top of opening (or the underside of the overhead cabinets) For Models with Trim Kit: If frameless style cabinets are planned for above the refrigerator, you may need to consider adding a maximum of 1/4" (70-1/2") to height of opening for 23 cu. ft. models and 1/8" (72-3/8") for 25 cu. ft. models to allow additional clearance between cabinet doors and top of refrigerator trim when cabinet doors are in open position.



For answers to your Monogram®, GE Profile™ or GE® appliance questions, visit our website at ge.com or call GE Answer Center® service, 800.626.2000.

Dimension and installation information are shown in inches.



imagination at work



Specification Created 12/05

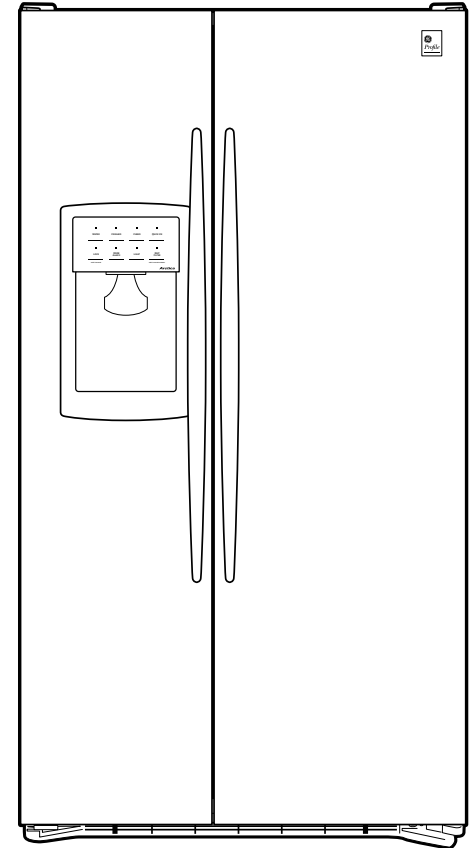
210228

PCF23NGT

GE Profile CustomStyle™ 22.6 Cu. Ft. Side-by-Side Refrigerator with Integrated Dispenser

Features and Benefits

- High-Gloss Finish - Provides sleek elegance with a smooth surface
- ClimateKeeper™ System - Best Temperature Management System You Can Buy!
- Integrated dispenser with LED lighting - Beveled color-matched design gives the dispenser an attractive, updated look; LED lighting provides long-lasting illumination
- CustomCool™ Technology - Chills in minutes, thaws in hours and keeps foods fresher, longer
- Electronic controls with actual temperature display - Eliminates guesswork in setting refrigerator temperatures
- Slide 'n Store™ Full-Extension Freezer Baskets - Extends 12" to 16" beyond the cabinet, providing easy loading and unloading
- Quick Ice™ Option - Makes ice up to 50% faster than normal settings-ideal for entertaining
- TurboCool™ Setting - "Revs up" the refrigerator, cooling it quickly after frequent door openings
- Integrated Ice™ System - Frees up valuable freezer space. It tilts down, providing easy access to bulk ice
- Tilt-Out Freezer Door Bins - Move forward for convenient access
- Integrated Shelf Support System - Provides strong, yet flexible support
- Model PCF23NGTWW - White on white
- Model PCF23NGTCC - Bisque on bisque
- Model PCF23NGTBB - Black on black



imagination at work