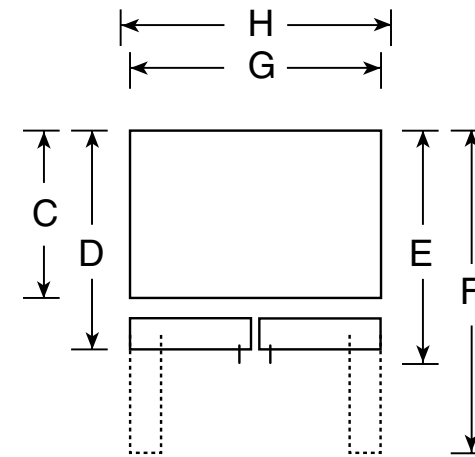
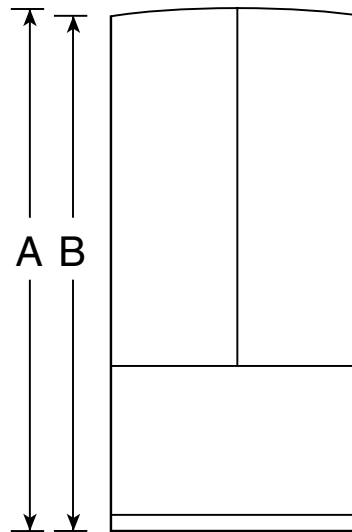


# PFIC1NFW

## GE Profile™ Counter-Depth 20.8 Cu. Ft. Bottom-Freezer Drawer Refrigerator

### Dimensions and Installation Information (in inches)

Overall Dimensions	Height to top of hinge (in.) <b>A</b>	69-5/8
	Height to top of case (in.) <b>B</b>	69
	Case depth without door (in.) <b>C</b>	24-1/8
	Case depth less door handle (in.) <b>D</b>	26-3/4*
	Case depth with door handle (in.) <b>E</b>	31
	Depth with fresh food door open 90° (in.) <b>F</b>	43-1/8
	Width (in.) <b>G</b>	35-7/8
Air Clearances	Each side (in.)	1/8
	Top (in.)	1
	Back (in.)	1/2



Top View

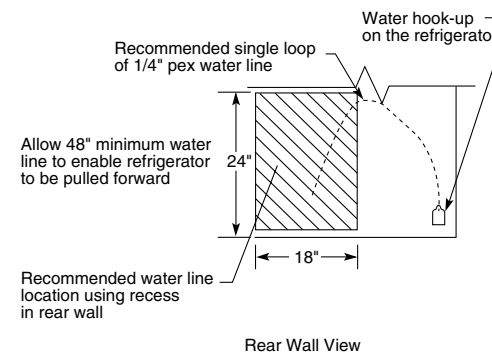
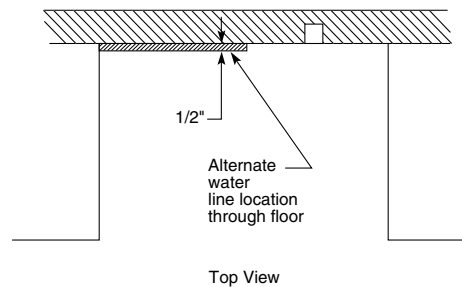
Front View

#### Note:

Anti-tip bracket part number 200D8494P001 will be shipped with every counter-depth model

\*Does NOT include a decorative panel

### Installation of water outlets



**IMPORTANT:** Before finalizing specifications for your GE Profile counter-depth refrigerator, please NOTE:

- A minimum width of 36" is required for refrigerator installation
- Be sure to allow for 1/2" or 3/4" side panels in addition to the 36" minimum

For answers to your Monogram,® GE Profile™ or GE® appliance questions, visit our website at [ge.com](http://ge.com) or call GE Answer Center® service, 800.626.2000.



# PFIC1NFW

## GE Profile™ Counter-Depth 20.8 Cu. Ft. Bottom-Freezer Drawer Refrigerator

### Dimensions and Installation Information (in inches)

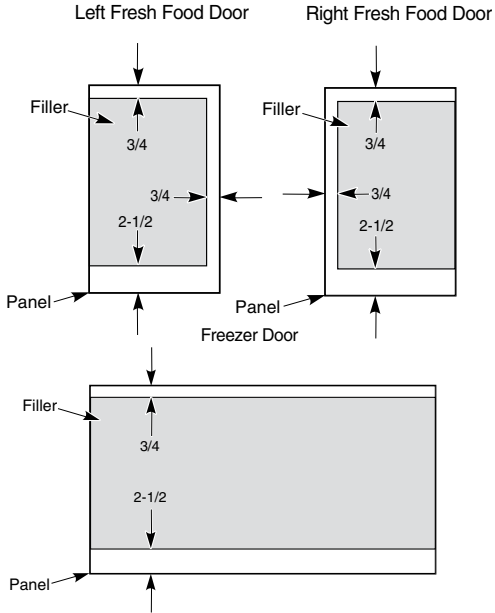
**Order your own custom wood panels to match cabinetry or other decor.**

Panels up to 1/4" thick or panels with 1/4" thick flanges will fit into your new counter-depth refrigerator. Follow these patterns to ensure they will fit securely. Add filler behind panels (see below) to ensure they will not rattle.

**Weight Limits:** Total weight of panels—Fresh Food = 10 lbs. each, Freezer = 18 lbs. max.

**Note:** Panels up to 3/4" will require special routing around handles. Dimensions may vary depending on depth of panel.

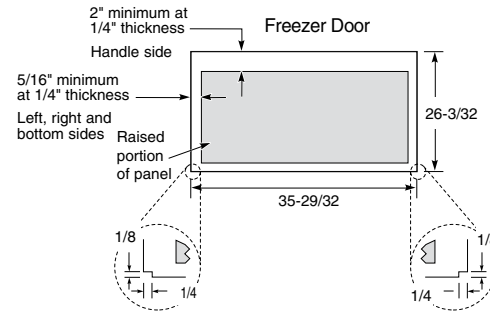
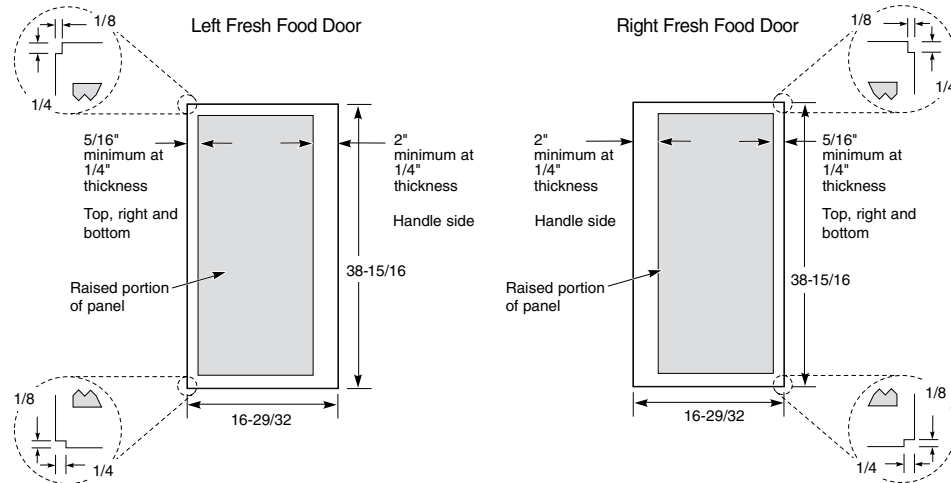
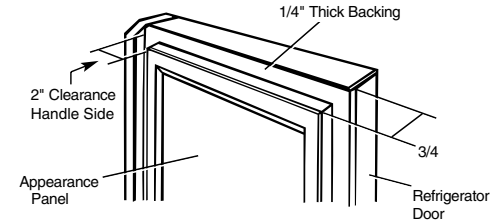
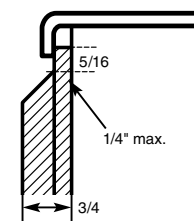
### Panels less than 1/4" thick



For answers to your Monogram,® GE Profile™ or GE® appliance questions, visit our website at [ge.com](http://ge.com) or call GE Answer Center® service, 800.626.2000.

### Dimensions for custom wood panels

Panels thicker than 1/4"



# PFIC1NFW

## GE Profile™ Counter-Depth 20.8 Cu. Ft. Bottom-Freezer Drawer Refrigerator

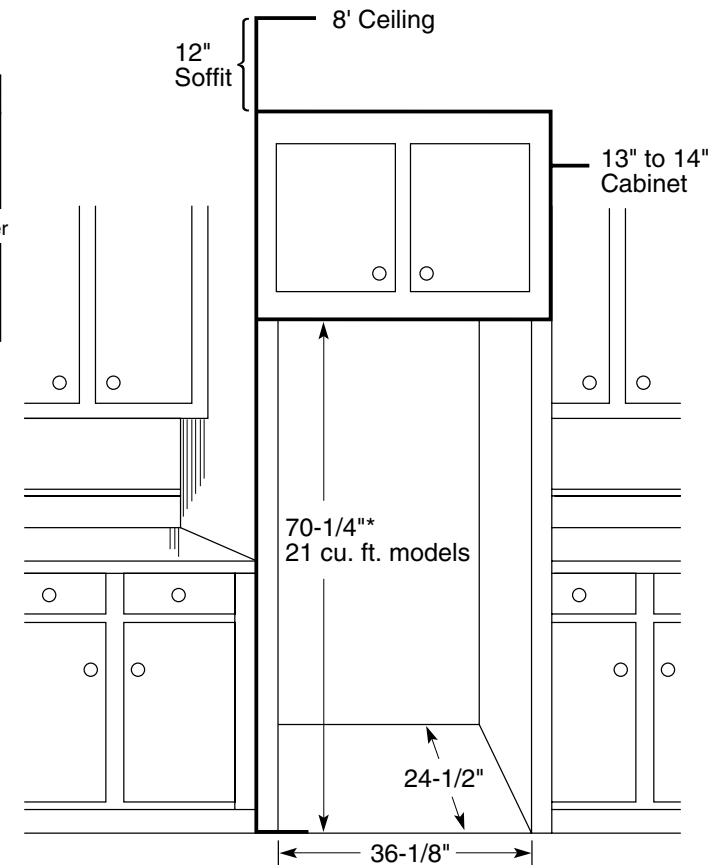
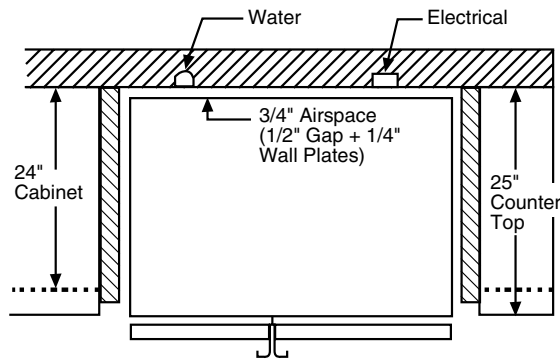
### Dimensions and Installation Information (in inches)

#### Rough-in dimensions

#### Standard, new construction and replacement installation

#### Installation tips to maximize the built-in look

- All wall/floor molding should be removed prior to installation.
- Water recess on rear wall recommended to prevent water line damage. 48" minimum length, 1/4"-diameter water line tubing recommended.
- When possible, recess both copper/pex water line and electrical outlet (see local codes).
- Front and rear leveling legs are adjustable for the built-in look (see owner's manual).
- If optional collar trim kit is to be used or anticipated, see collar trim installation on next page for different rough-in dimensions.



For answers to your Monogram,® GE Profile™ or GE® appliance questions, visit our website at [ge.com](http://ge.com) or call GE Answer Center® service, 800.626.2000.

\*The rough-in dimensions of 70-1/4"/72-1/4" are minimum and measured from the finished floor to top of opening (or the underside of the overhead cabinets). For models with trim kit: If frameless style cabinets are planned for above the refrigerator, you may need to consider adding a maximum of 1/4" (70-1/2") to height of opening for 21 cu. ft. models to allow additional clearance between cabinet doors and top of refrigerator trim when cabinet doors are in open position.



imagination at work



Listed by  
Underwriters  
Laboratories



Specification Revised 12/08

210831

# PFIC1NFW

## GE Profile™ Counter-Depth 20.8 Cu. Ft. Bottom-Freezer Drawer Refrigerator

### Dimensions and Installation Information (in inches)

#### Fabricating the enclosure

- The drawing shows an 84" cabinet elevation. Adjust dimensions accordingly for other cabinet elevations.
- Cabinet pieces to order: (2) side panels and (1) wall cabinet.
- Side panels will typically be attached to adjacent cabinets and/or cleated to rear wall and floor.
- Refer to GE refrigerator installation instructions for proper plumbing, and electrical and air clearances.
- (1) Some framed cabinet lines will make a refrigerator enclosure with a cabinet 12" high x 39" wide with sides and 1-1/2" face frame extended down to floor to create the refrigerator space. This will replace the above construction. (2) A tall cabinet on either side of the refrigerator can replace a side panel.
- Counter overhangs on either side of the refrigerator should have clipped corners to allow for full door swing.
- If the refrigerator has a wall returning beyond the front of the refrigerator on either side, a 2" tall filler will help allow for movement of the door.

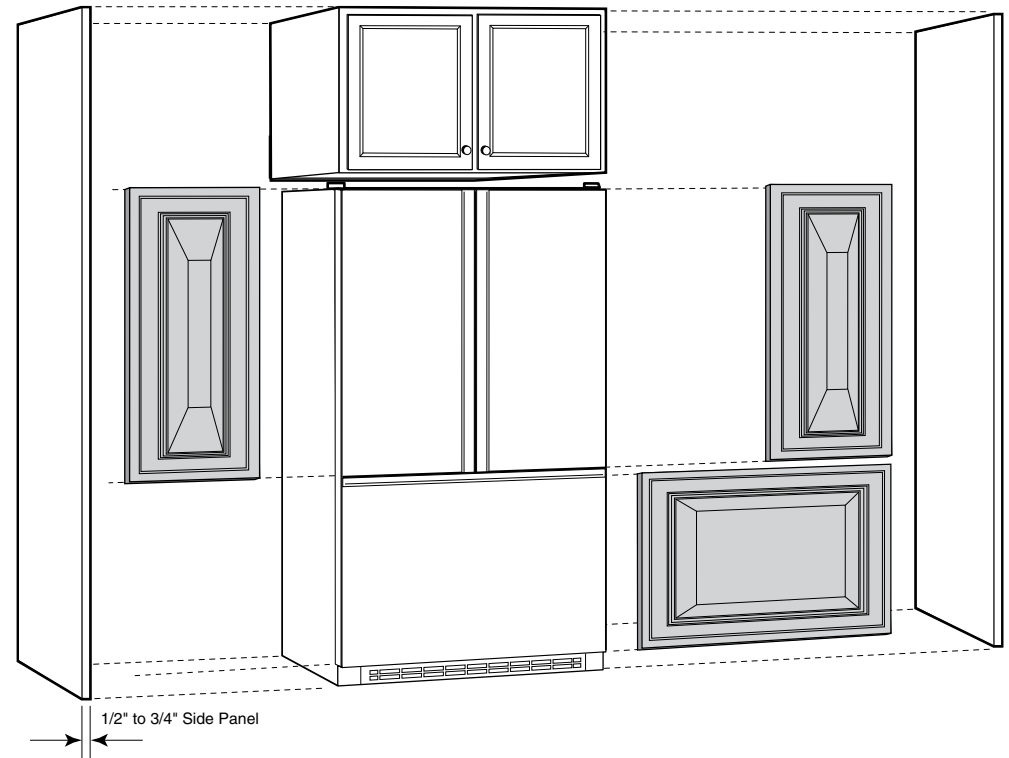
#### Door Panels

- See drawings for exact dimensions of the fresh-food and freezer door panels.
- Refrigerator door fronts from stock and most semi-custom cabinet manufacturers will be supplied as 1/4"-thick panels cut to dimensions, with closest available standard door sizes applied to front.
  - This will leave a "reveal" at top/bottom and sides. Width of "reveal" will depend on manufacturer's standard door sizes.
  - Door will be affixed on the 1/4" panels at factory or in the field by the local supplier, depending on manufacturer.
- Local shop-built or custom cabinet supplier may fabricate custom 3/4" panels. In this case, edges must be routed.
- Follow notes on drawing to assure room for fingers/hands to open handles.

For answers to your Monogram,® GE Profile™ or GE® appliance questions, visit our website at [ge.com](http://ge.com) or call GE Answer Center® service, 800.626.2000.

#### Create a custom look for your GE Profile counter-depth bottom-freezer refrigerator

Still another advantage offered by GE Profile counter-depth refrigerators is ease of installation. For a refrigerator that does so much to enhance the beauty of your kitchen, the "behind-the-scenes" preparation and installation are surprisingly simple.

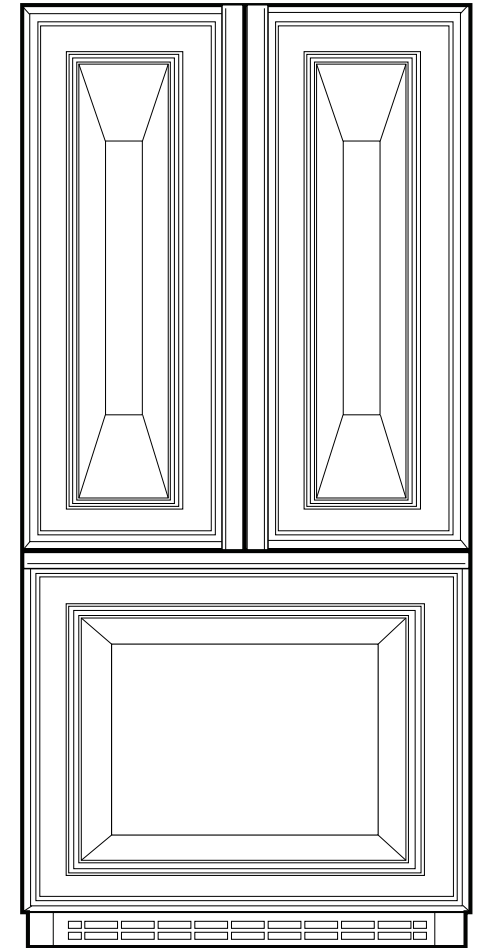


# PFIC1NFW

## GE Profile™ Counter-Depth 20.8 Cu. Ft. Bottom-Freezer Drawer Refrigerator

### Features and Benefits

- Counter-Depth Configuration - Offers a built-in look by fitting almost completely flush with surrounding cabinetry and blending in with décor
- Factory-Installed Icemaker with Water Filtration System - Automatically creates fresh, filtered ice cubes
- Freshness Center™ - Offers maximum convenience by utilizing two humidity-controlled drawers and 1 full-length drawer for large storage
- BrightSpace™ Interior with GE Reveal™ Lighting - Cast a natural-looking glow throughout the refrigerator
- Multi-Level Slide 'n Store™ Basket System - Includes three full-extension baskets for tremendous storage flexibility and keeps contents perfectly in place
- Condiment Bin and Beverage Rack - Provides convenient storage for canned drinks and condiments
- QuickSpace™ Shelf - Slides out of the way to make room for tall items
- Upfront Temperature Controls with Actual Temperature Display & TurboCool™ Setting - Features easy-to-reach, easy-to-read temperature controls and a setting to quickly restore proper temperature after frequent door openings
- Self-Closing Drawer - Self-closing hinges automatically pull the drawer shut when it's within one inch of the closed position
- Adjustable Spillproof Glass Shelves - Helps to contain spills for ease of cleaning
- Adjustable Gallon Door Bins - Make room for milk and other gallon-size containers
- NeverClean™ Condenser - Condenser coils are encased, so they don't require cleaning in normal operating environments
- Deluxe Quiet Design - Significantly reduces operating noise
- Model PFIC1NFWV - White on white
- Model PFIC1NFWBV - Black on black



imagination at work