

# PSC23PSW

## GE Profile™ Counter-Depth ENERGY STAR® 23.2 Cu. Ft. Stainless Side-by-Side Refrigerator

### Dimensions and Installation Information (in inches)

Overall Dimensions	Height to top of hinge (in.) <b>A</b>	<b>69-1/4</b>
	Height to top of case (in.) <b>B</b>	<b>68-3/4</b>
	Case depth without door (in.) <b>C†</b>	<b>23-7/8</b>
	Case depth less door handle (in.) <b>D†</b>	<b>26-3/4</b>
	Case depth with door handle (in.) <b>E†</b>	<b>29-3/16</b>
	Depth with fresh food door open 90° (in.) <b>F†</b>	<b>45-9/16</b>
	Width (in.) <b>G</b>	<b>35-3/4</b>
Air Clearances	Width with door open 90° inc. door handle (in.) <b>H</b>	<b>38-3/16</b>
	Each side (in.)	<b>1/8</b>
	Top (in.)	<b>1</b>
	Back (in.)	<b>1/2</b>

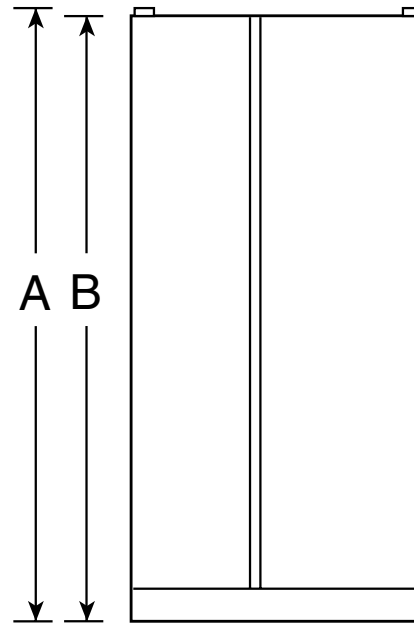
†Water hook-up fits in back air clearance when calculating installation depth.

If installed against a wall, allow clearance of 14-3/16" on freezer side to remove bin.

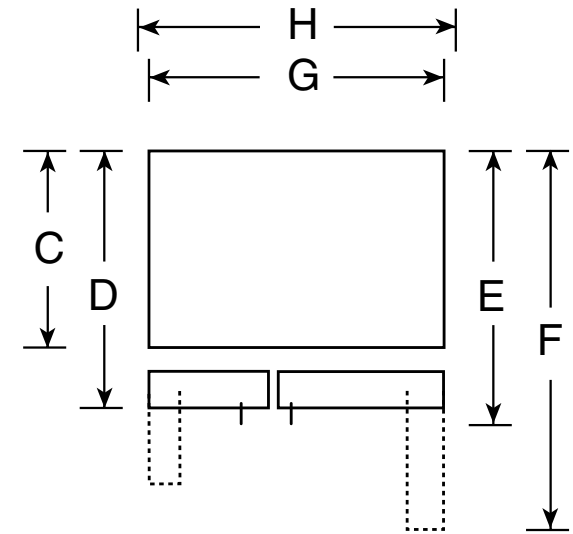
Clearance required to remove fresh food full-size pan without disassembling is 18-15/16".

Allow additional space for any necessary leveling adjustments.

For answers to your Monogram®, GE Profile™ or GE® appliance questions, visit our website at [ge.com](http://ge.com) or call GE Answer Center® service, 800.626.2000.



Front View



Top View



imagination at work



Listed by  
Underwriters  
Laboratories



As an ENERGY STAR® partner, GE has determined that this product meets the ENERGY STAR guidelines for energy efficiency.

# PSC23PSW

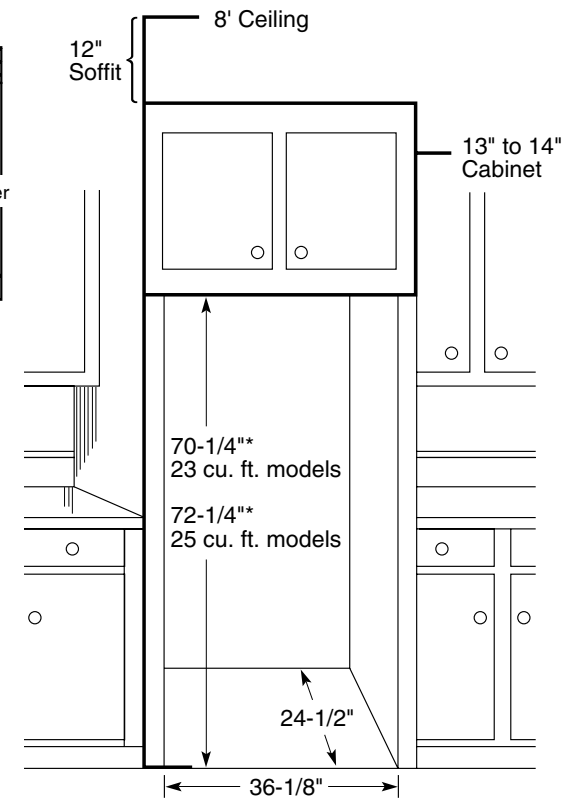
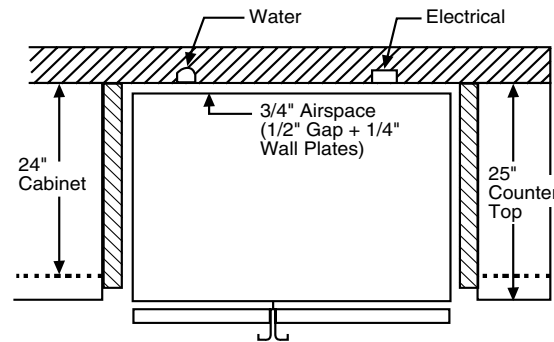
## GE Profile™ Counter-Depth ENERGY STAR® 23.2 Cu. Ft. Stainless Side-by-Side Refrigerator

### Dimensions and Installation Information (in inches)

#### Installation Tips to Maximize the Built-In Look

- All wall/floor molding should be removed prior to installation.
- Water recess on rear wall recommended to prevent water line damage. 48" minimum length, 1/4" diameter water line tubing recommended.
- When possible, recess both copper water line and electrical outlet. (See local codes)
- Front and rear leveling legs are adjustable for the built-in look. (See owner's manual)

\*The rough-in dimensions of 70-1/4"/72-1/4" are minimum and measured from the finished floor to top of opening (or the underside of the overhead cabinets) For Models with Trim Kit: If frameless style cabinets are planned for above the refrigerator, you may need to consider adding a maximum of 1/4" (70-1/2") to height of opening for 23 cu. ft. models and 1/8" (72-3/8") for 25 cu. ft. models to allow additional clearance between cabinet doors and top of refrigerator trim when cabinet doors are in open position.



For answers to your Monogram®, GE Profile™ or GE® appliance questions, visit our website at [ge.com](http://ge.com) or call GE Answer Center® service, 800.626.2000.



imagination at work



Listed by  
Underwriters  
Laboratories



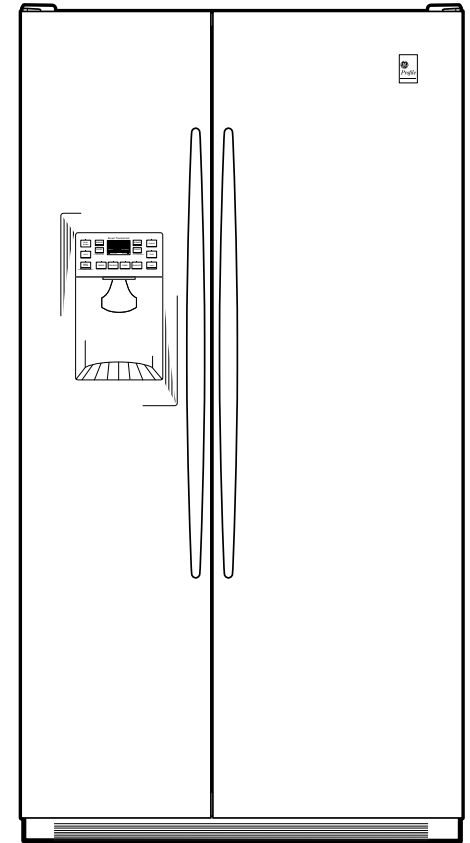
As an ENERGY STAR® partner, GE has determined that this product meets the ENERGY STAR guidelines for energy efficiency.

# PSC23PSW

## GE Profile™ Counter-Depth ENERGY STAR® 23.2 Cu. Ft. Stainless Side-by-Side Refrigerator

### Features and Benefits

- Counter-Depth Configuration - Offers a built-in look by fitting almost completely flush with surrounding cabinetry and blending in with décor
- Stainless Steel Exterior - Convey a look of utmost polish and sophistication
- ClimateKeeper2™ System - Keeps food garden fresh longer, while protecting ice from odor transfer, with its unique dual-evaporator system
- Color LCD Controls with Touch Screen - Makes it easy to control all the functions of the refrigerator with just a touch
- QuickFreeze Setting - Provides faster, fresher freezing to maintain the flavor and quality of meats
- Integrated Dispenser with LED Lighting, PreciseFill & UltraFlow100 - Illuminates the dispenser and pours water in accurate increments or up to 100 ounces per minute
- Electronic Beverage Center - Keeps beverages and treats icy cold and easily accessible
- CustomCool™ Technology - Chills in minutes, thaws in hours and keeps foods fresher, longer
- Slide 'n Store™ Freezer Basket - Offers easy access and flexible storage
- Quick Ice™ Option - Makes ice up to 50% faster than normal settings-ideal for entertaining
- TurboCool™ Setting - "Revs up" the refrigerator, cooling it quickly after frequent door openings
- Integrated Ice™ System - Frees up valuable freezer space; It tilts down, providing easy access to bulk ice
- Tilt-Out Freezer Door Bins - Move forward for convenient access
- Integrated Shelf Support System - Provides strong, yet flexible support
- Adjustable ClearLook™ Door Bins - Hold gallon-size containers with style and ease
- Model PSC23PSWSS - Stainless steel



imagination at work



As an ENERGY STAR® partner, GE has determined that this product meets the ENERGY STAR guidelines for energy efficiency.