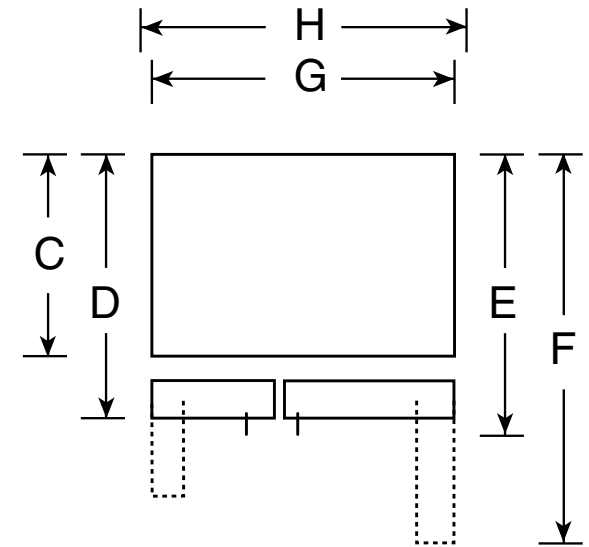
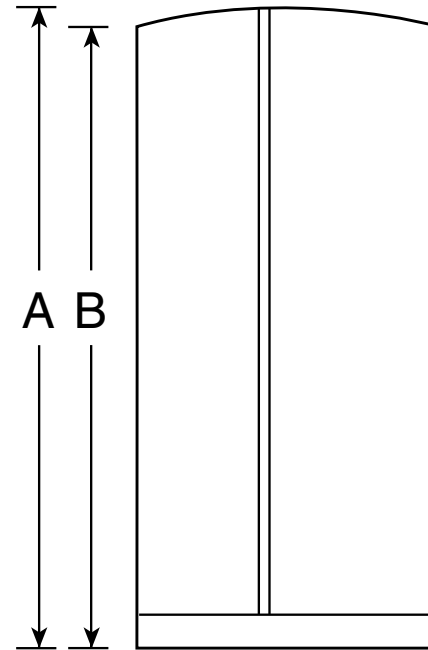


PSE26KGE

GE Profile™ Series ENERGY STAR® 25.9 Cu. Ft. Side-By-Side Refrigerator with Dispenser

Dimensions and Installation Information (in inches)

Overall Dimensions	Height to top of hinge (in.) A	69-1/2
	Height to top of case (in.) B	69
	Case depth without door (in.) C	28
	Case depth less door handle (in.) D	32-1/4
	Case depth with door handle (in.) E	34-3/4
	Depth with fresh food door open 90° (in.) F	50
	Width (in.) G	35-3/4
	Width with door open 90° inc. door handle (in.) H	43-1/2
Air	Each side (in.)	1/8
	Top (in.)	1
	Back (in.)	2



†Water hook-up fits in back air clearance when calculating installation depth.

If installed against a wall, allow clearance of 14-3/16" on freezer side to remove bin. To remove fresh food pans, remove door bins.

Clearance required to remove fresh food full-size pan without disassembling is 18-15/16".

Allow additional space for any necessary leveling adjustments.



imagination at work

For answers to your Monogram® or GE appliance questions, visit our website at geappliances.com or call GE Answer Center® service, 800.626.2000.



Listed by
Underwriters
Laboratories



As an ENERGY STAR® partner, GE has determined that this product meets the ENERGY STAR guidelines for energy efficiency.

Specification Revised 8/13

210313

PSE26KGE

GE Profile™ Series ENERGY STAR® 25.9 Cu. Ft. Side-By-Side Refrigerator with Dispenser

Features and Benefits

- High-gloss finish crown doors with hidden hinges - Step up to a smooth finish with rounded doors and the clean look of concealed hinges
- Temperature management - Enjoy even cooling throughout the fresh food section
- Angled ALL LED lighting in fresh food and freezer - Illuminates every inch of the fresh food and freezer compartments
- Arctica icemaker - Holds up to 10 lbs of ice, so there's enough for all occasions
- Multi-level freezer baskets - Provide plenty of easy-access storage for frozen foods
- Turbo Cool setting - Drops interior temperature to maintain freshness after frequent openings
- Quick Ice setting - Create ice up to 50% faster than normal settings
- Adjustable Clear Look door bins - Hold gallon containers with ease and free up valuable shelf space
- Adjustable slide-out, spillproof glass shelves - Raised edges help contain spills and make clean up quick and easy
- GE water filtration - six month filter - Removes impurities for fresh-tasting water
- Frost Guard technology - Controlled defrosting helps food retain flavor
- Integrated shelf support system - Provides strong, flexible support
- Model PSE26KGEWW - White
- Model PSE26KGEBB - Black

