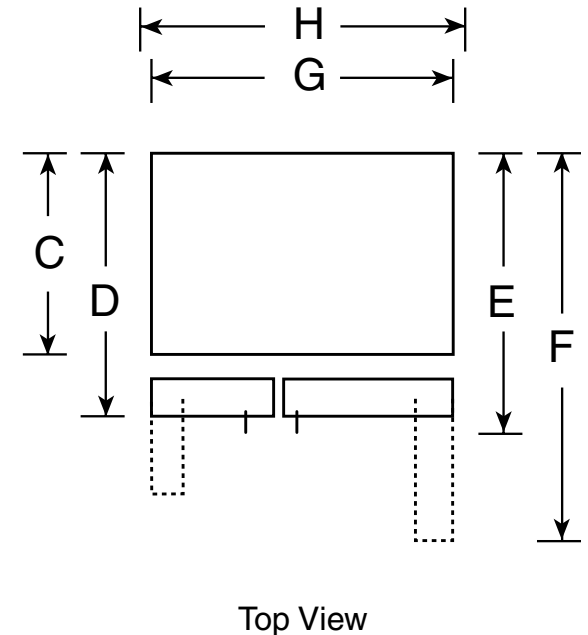
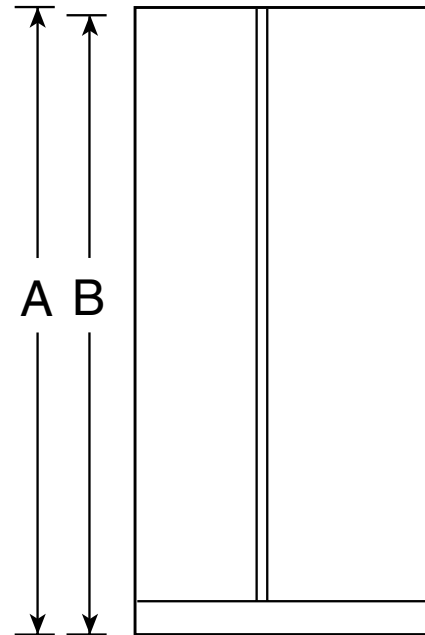


PSHS6YGZ

GE Profile™ ENERGY STAR® 25.6 Cu. Ft. Side-By-Side Refrigerator

Dimensions and Installation Information (in inches)

Overall Dimensions	Height to top of hinge (in.) A	69-1/4
	Height to top of case (in.) B	68-3/4
	Case depth without door (in.) C†	28
	Case depth less door handle (in.) D†	32-3/8
	Case depth with door handle (in.) E†	35
	Depth with fresh food door open 90° (in.) F†	50-1/8
	Width (in.) G	36
Air Clearances	Width with door open 90° inc. door handle (in.) H	43-1/2
	Each side (in.)	1/8
	Top (in.)	1
	Back (in.)	1



†Water hook-up fits in back air clearance when calculating installation depth.

If installed against a wall, allow clearance of 14-3/16" on freezer side to remove bin. To remove fresh food pans, remove door bins.

Clearance required to remove fresh food full-size pan without disassembling is 18-15/16".

Allow additional space for any necessary leveling adjustments.

For answers to your Monogram,® GE Profile™ or GE® appliance questions, visit our website at ge.com or call GE Answer Center® service, 800.626.2000.



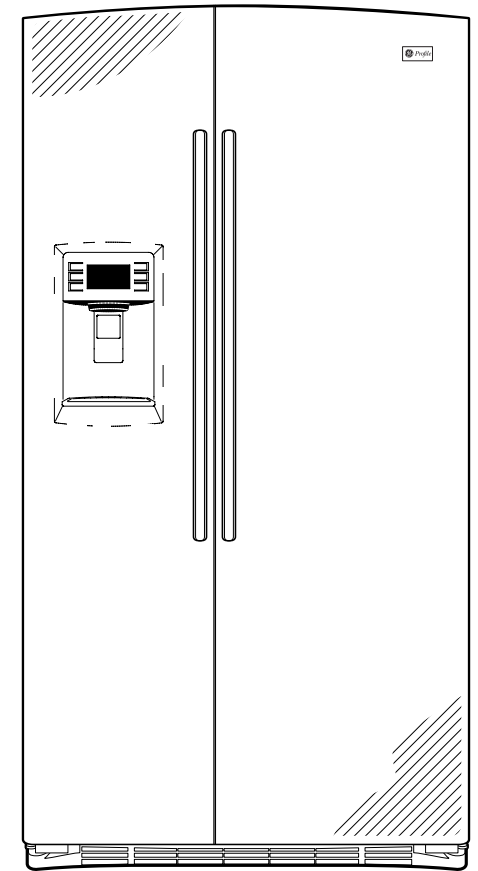
As an ENERGY STAR® partner, GE has determined that this product meets the ENERGY STAR guidelines for energy efficiency.

PSHS6YGZ

GE Profile™ ENERGY STAR® 25.6 Cu. Ft. Side-By-Side Refrigerator

Features and Benefits

- Stainless steel crown doors with hidden hinges - Step up to a striking finish with rounded doors and a clean, elegant look
- ClimateKeeper2™ system - Electronic controls, multiple electronic sensors and a multi-flow air system help keep foods fresh longer
- Angled ALL LED lighting in fresh food and freezer - Brightly illuminates every inch of the fresh food and freezer compartments
- Color LCD controls with touch screen - LCD controls are easy to see and easy to use for all your refrigerator functions
- Integrated dispenser with LED lighting, PreciseFill and UltraFlow100 - Dispenses accurate water amounts and pours up to 100 ounces per minute
- Electronic beverage center - Keep beverages 2-3 degrees colder by monitoring with an electronic sensor
- CustomCool™ technology - Full-extension drawer chills in minutes, thaws in hours and quickly preserves food
- Slide 'n Store™ freezer baskets - Baskets slide well beyond the door for easy access to all your frozen favorites
- Quick Ice™ setting - Speed up your icemaker to keep up with your life
- TurboCool™ setting - Restores proper temperature to the refrigerator after frequent door openings
- Arctica® icemaker - Holds up to 10 lbs of ice, so there's enough for all occasions
- Tilt-out freezer door bins - Even when bins are filled to capacity, items are easy to remove
- Model PSHS6YGZSS - Stainless steel



imagination at work



As an ENERGY STAR® partner, GE has determined that this product meets the ENERGY STAR guidelines for energy efficiency.