

# Installation Instructions

## For Door Panel Kits:



### BEFORE YOU BEGIN

Read these instructions  
Completely and carefully.



### WARNING

#### TO BE USED WITH MODELS:

ZKGP300N  
ZKGP304NLH  
ZKGP304NRH  
ZKGT300N  
ZKGT304NLH  
ZKGT304NRH  
ZKSP300N  
ZKSP304NLH  
ZKSP304NRH  
ZKST300N  
ZKST304NLH  
ZKST304NRH


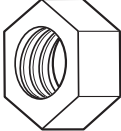
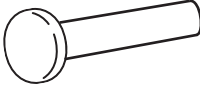
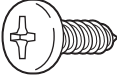
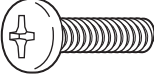
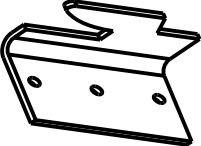
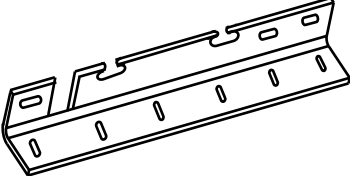
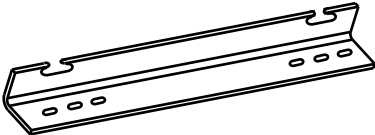
This Refrigerator is top heavy and must be handled with care. Failure to do so can result in the unit tipping over and result in death or serious injury. Before beginning installation, ensure that the anti-tip bracket is correctly installed.



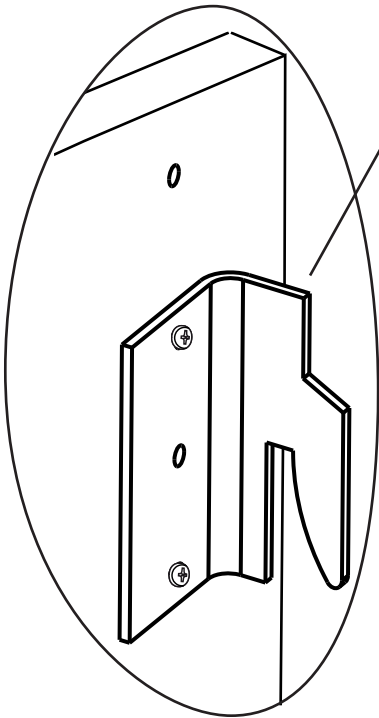
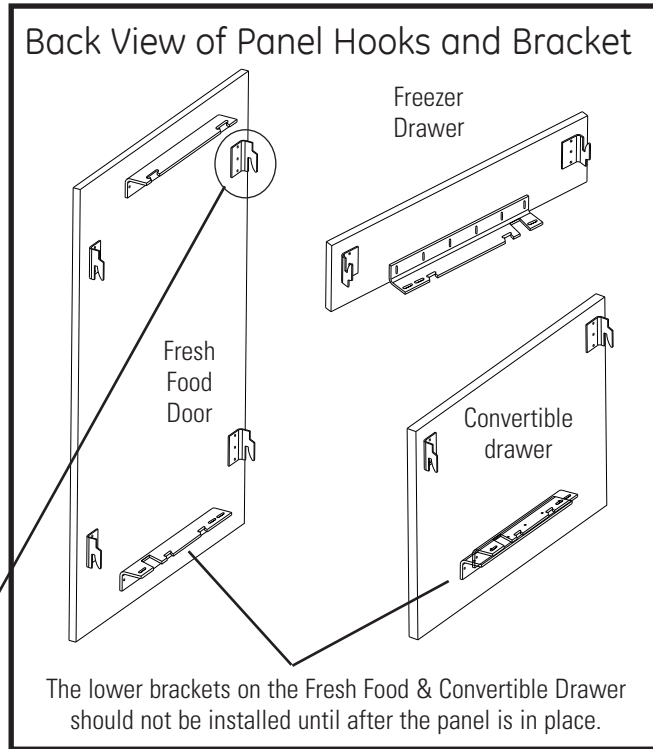
GE Appliances & Lighting  
General Electric Company  
Louisville, KY 40225  
[GEAppliances.com](http://GEAppliances.com)

197D9988P001 31-46553 01-12 GE

Hardware and brackets ( shipped with refrigerator, in bottom drawer )

Description	Picture	Qty
washer		2
nut		2
hinge pin		2
screw A		16
screw B		45
hook		8
lower bracket		3
Top bracket		1

# Installation Instructions

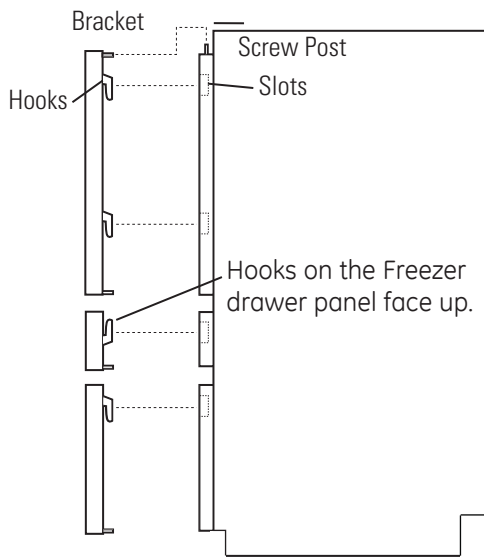


Use lowest set of holes on door and align hook towards outside edge of the door

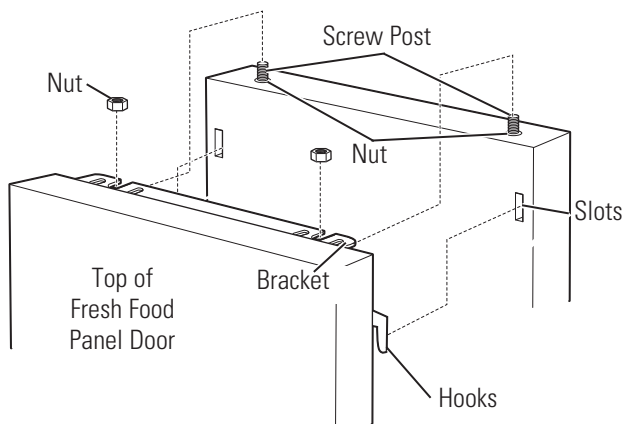
**ATTENTION:** Remove protective film from stainless steel panels after they are mounted and in final position on the doors. Removing film earlier can expose the panels to damage during installation.

## INSTALL DOOR AND DRAWER PANELS

1. Use Screw B to attach hooks and brackets to panels. Use Screw A to attach brackets to doors and drawers of refrigerator.
2. Remove all door and drawer hooks from the unit and screw them to the custom panels, aligning them with the lowest set of pre drilled holes for Monogram Panel Kits on the FF door panel.
3. Attach top-Bracket to FF panel.
4. If you had custom handles made and they are not currently attached to your panels, do so now.
5. Open the fresh food door to attach the fresh food panel.
6. Slide the hooks on the fresh food panel into the slots of the door, and lower the hooks into place. Make sure the bracket on the top of the panel slides over the screw posts on top of the door.



7. Adjust the screw posts up or down under the bracket on top of the door to level the panel.
8. Lock the panel to the door by installing the nuts provided onto the screw posts on top of the door. Next, screw the lower-bracket provided into the bottom of the door (screw A) and the panel (screw B).



## INSTALL DOOR AND DRAWER PANELS (cont).

9. Install the Freezer drawer panel by sliding the brackets up into place (the opposite direction of the hooks on the fresh food panel and Convertible drawer).
10. Once the drawer panel is placed fasten the panel to the drawer by screwing the bottom bracket into the panel with the screws (B) and into the drawer with screws (A).
11. Repeat for the second drawer by sliding the hooks down instead of up.
12. Adjust drawer alignment using lower brackets as needed to create uniform gaps.
13. If using custom toe-kick attach the toe-kick panel by placing velcro on the back of the panel and on the front of the panel. If using stainless steel toe-kick, its magnetic.

