



Dryers

Safety Instructions 2-5

Installation Instructions .. 6-20

Operating Instructions

Control Panels 21-23

Cycle Options 24-25

Dryer Features 25

Reversing the Door Swing 26-29

Loading and Using
the Dryer 30-31

Venting the Dryer 32

Connecting Inlet Hoses 33

Stacking 34-37

Troubleshooting Tips 38-41

Consumer Support

Warranty 43-44

Consumer Support 45

Owner's Manual

GFD40

Write the model and serial numbers here:

Model # _____

Serial # _____

They are on the label on the front of the dryer behind the door.



234D1050P011

29-5889-1 11/17 ATS

IMPORTANT SAFETY INFORMATION.

READ ALL INSTRUCTIONS BEFORE USING.

⚠ WARNING!

For your safety, the information in this manual must be followed to minimize the risk of fire or explosion, electric shock, or to prevent property damage, personal injury, or death.

- *Do not store or use gasoline or other flammable vapors and liquids in the vicinity of this or any other appliance.*
- *Installation and service must be performed by a qualified installer, service agency or the gas supplier.*

WHAT TO DO IF YOU SMELL GAS:

- 1 *Do not try to light a match, or cigarette, or turn on any gas or electrical appliance.*
- 2 *Do not touch any electrical switch; do not use any phone in your building.*
- 3 *Clear the room, building or area of all occupants.*
- 4 *Immediately call your gas supplier from a neighbor's phone. Follow the gas supplier's instructions carefully.*
- 5 *If you cannot reach your gas supplier, call the fire department.*

California Safe Drinking Water and Toxic Enforcement Act

This act requires the governor of California to publish a list of substances known to the state to cause cancer, birth defects or other reproductive harm and requires businesses to warn customers of potential exposure to such substances.

Gas appliances can cause minor exposure to four of these substances, namely benzene, carbon monoxide, formaldehyde and soot, caused primarily by the incomplete combustion of natural gas or LP fuels.

Properly adjusted dryers will minimize incomplete combustion. Exposure to these substances can be minimized further by properly venting the dryer to the outdoors.

IMPORTANT SAFETY INFORMATION. READ ALL INSTRUCTIONS BEFORE USING.

www.GEAppliances.ca



PROPER INSTALLATION

This dryer must be properly installed and located in accordance with the Installation Instructions before it is used. If you did not receive an Installation Instructions sheet, you can receive one by visiting www.GEAppliances.ca, or call 1-800-561-3344.

- Properly ground dryer to conform with all governing codes and ordinances. Follow details in Installation Instructions.
- Install or store where it will not be exposed to temperatures below freezing or exposed to the weather.
- Connect to a properly rated, protected and sized power supply circuit to avoid electrical overload.
- Remove the colored protective film from both the control panel and the door.
- Remove all sharp packing items and dispose of all shipping materials properly.

Exhaust/Ducting:

- 1 All dryers **MUST** be exhausted to the outside to prevent large amounts of moisture and lint from being blown into the room.
- 2 Use only rigid metal 4" diameter ductwork inside the dryer cabinet and use only UL approved transition ducting between the dryer and the home duct. **USE OF PLASTIC OR OTHER COMBUSTIBLE DUCTWORK CAN CAUSE A FIRE. PUNCTURED DUCTWORK CAN CAUSE A FIRE IF IT COLLAPSES OR BECOMES OTHERWISE RESTRICTED IN USE OR DURING INSTALLATION.**

For complete details, follow the Installation Instructions.

IMPORTANT SAFETY INFORMATION.

READ ALL INSTRUCTIONS BEFORE USING.

WARNING!



YOUR LAUNDRY AREA

- Keep the area underneath and around your appliances free of combustible materials (lint, paper, rags, etc.), gasoline, chemicals and other flammable vapors and liquids.
- Keep the floor around your appliances clean and dry to reduce the possibility of slipping.
- Close supervision is necessary if this appliance is used by or near children. Do not allow children to play on, with or inside this or any other appliance.
- Keep all laundry aids (such as detergents, bleaches, etc.) out of the reach of children, preferably in a locked cabinet. Observe all warnings on container labels to avoid injury.
- Never climb on or stand on the dryer top.
- Keep the area around the exhaust opening and adjacent surrounding areas free from the accumulation of lint, dust and dirt.
- If you see water on the floor around the dryer, call for service.
- Do not spray any type of aerosol into, on or near dryer at any time.



WHEN USING YOUR DRYER

- Never reach into the dryer while the drum is moving. Before loading, unloading or adding clothes, wait until the drum has completely stopped.
- Clean the lint filter before each load to prevent lint accumulation inside the dryer or in the room.
DO NOT OPERATE THE DRYER WITHOUT THE LINT FILTER IN PLACE.
- Do not wash or dry articles that have been cleaned in, washed in, soaked in or spotted with combustible or explosive substances (such as wax, oil, paint, gasoline, degreasers, dry-cleaning solvents, kerosene, etc.) which may ignite or explode. Do not add these substances to the wash water. Do not use or place these substances around your washer or dryer during operation.
- Do not place items exposed to cooking oils in your dryer. Items contaminated with cooking oils may contribute to a chemical reaction that could cause a clothes load to catch fire.
- Any article on which you have used a cleaning solvent or that contains flammable materials (such as cleaning cloths, mops, towels used in beauty salons, restaurants or barber shops, etc.) must not be placed in or near the dryer until solvents or flammable materials have been removed. There are many highly flammable items used in homes such as acetone, denatured alcohol, gasoline, kerosene, some household cleaners, some spot removers, turpentines, waxes, wax removers and products containing petroleum distillates.
- The laundry process can reduce the flame retardancy of fabrics. To avoid such a result, carefully follow the garment manufacturer's care instructions.
- Do not dry articles containing rubber, plastic, foam or similar materials such as padded bras, tennis shoes, galoshes, bath mats, rugs, bibs, baby pants, plastic bags, pillows, etc., that may melt or burn. Some rubber materials, when heated, can under certain circumstances produce fire by spontaneous combustion.
- Do not store plastic, paper or clothing that may burn or melt on top of the dryer during operation.
- Garments labeled *Dry Away from Heat* or *Do Not Tumble Dry* (such as life jackets containing kapok) must not be put in your dryer.
- Do not dry fiberglass articles in your dryer. Skin irritation could result from the remaining particles that may be picked up by clothing during subsequent dryer uses.
- To minimize the possibility of electric shock, unplug this appliance from the power supply or disconnect the dryer at the building's distribution panel by removing the fuse or switching off the circuit breaker before attempting any maintenance or cleaning (except the removal and cleaning of the lint filter). **NOTE:** Pressing **Power**, **Start** or **Lock** does **NOT** disconnect the appliance from the power supply.



WHEN USING YOUR DRYER (cont.)

- Never attempt to operate this appliance if it is damaged, malfunctioning, partially disassembled, or has missing or broken parts, including a damaged cord or plug.
- The interior of the machine and the exhaust duct connection inside the dryer should be cleaned at least once a year by a qualified technician. See the Loading and Using the Dryer section.
- If yours is a gas dryer, it is equipped with an automatic electric ignition and does not have a pilot light. **DO NOT ATTEMPT TO LIGHT WITH A MATCH.** Burns may result from having your hand in the vicinity of the burner when the automatic ignition turns on.
- You may wish to soften your laundered fabrics or reduce the static electricity in them by using a dryer-applied fabric softener or an anti-static conditioner. We recommend you use either a fabric softener in the wash cycle, according to the manufacturer's instructions for those products, or try a dryer-added product for which the manufacturer gives written assurance on the package that their product can be safely used in your dryer. Service or performance problems caused by use of these products are the responsibility of the manufacturers of those products and are not covered under the warranty to this appliance.
- Never attempt to use the **Steam DeWrinkle** cycle without clothes in the drum.



WHEN NOT USING YOUR DRYER

- Grasp the plug firmly when disconnecting this appliance to avoid damage to the cord while pulling. Place the cord away from traffic areas so it will not be stepped on, tripped over or subjected to damage.
- Do not attempt to repair or replace any part of this appliance or attempt any servicing unless specifically recommended in this Owner's Manual or in published user-repair instructions that you understand and have the skills to carry out.
- Before discarding a dryer, or removing it from service, remove the dryer door to prevent children from hiding inside.
- Do not tamper with controls.



READ AND FOLLOW THIS SAFETY INFORMATION CAREFULLY.

SAVE THESE INSTRUCTIONS

Installation Instructions / Electric Dryer

PEDESTALS FOR DRYERS
(comes with individual installation instructions)

Available models: -SBSD227F
-SBSD137H
-SBSD107H

BEFORE YOU BEGIN:

Read these instructions completely and carefully.

IMPORTANT - Save these instructions for local inspector's use.

IMPORTANT - Observe all governing codes and ordinances.

Note to Installer - Be sure to leave these instructions with the customer.

Note to Customer - Keep these instructions with your Use and Care Book for future reference.

Before the old dryer is removed from service or discarded, remove the dryer door.

Service information and the wiring diagram are located in the control console.


⚠ WARNING!


FOR YOUR SAFETY:


- Use only rigid metal or flexible metal 4-in. diameter ductwork for exhausting to the outdoors. Never use plastic or other combustible, easy-to-puncture ductwork.
- This appliance must be properly grounded and installed as described in these instructions.
- Do not install or store appliance in an area where it will be exposed to water and/or weather.
- Install the dryer where the temperature is above 10° C (50°F) for satisfactory operation of the dryer control system.
- This dryer must be exhausted to the outdoors.
- Inspect the dryer exhaust outlet and straighten the outlet walls if they are bent.
- Do not allow children on or in the appliance. Close supervision of children is necessary when the appliance is used near children.

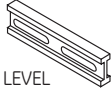
NOTE: Installation and service of this dryer requires basic mechanical and electrical skills. It is your responsibility to contact a qualified installer to make the electrical connections.

TOOLS YOU WILL NEED

 SLIP JOINT PLIERS

 FLAT BLADE SCREWDRIVER

 PHILLIPS SCREWDRIVER

 LEVEL

MATERIALS YOU WILL NEED

 10 cm (4 in.) DIA. METAL DUCT (RECOMMENDED)

 10 cm (4 in.) DUCT CLAMPS (2) OR 10 cm (4 in.) SPRING CLAMPS (2)

 10 cm (4 in.) DIA. FLEXIBLE METAL DUCT (IF NEEDED)

 10 cm (4 in.) METAL ELBOW

 EXHAUST HOOD

 SAFETY GLASSES

 DUCT TAPE

 GLOVES

Step 1 Prepare the area and exhaust for installation of new dryer (see section 1).

Step 2 Check and ensure the existing external exhaust is clean (see section 1) and meets attached installation specifications (see section 3).

Step 3 Remove the foam shipping pads (see section 3).

Step 4 Move the dryer to the desired location.

Step 5 Connect the power supply (see section 2).

Step 6 Connect the external exhaust (see section 4).

Step 7 Level your dryer (see section 5).

Step 8 Check the operation of the power supply and venting.

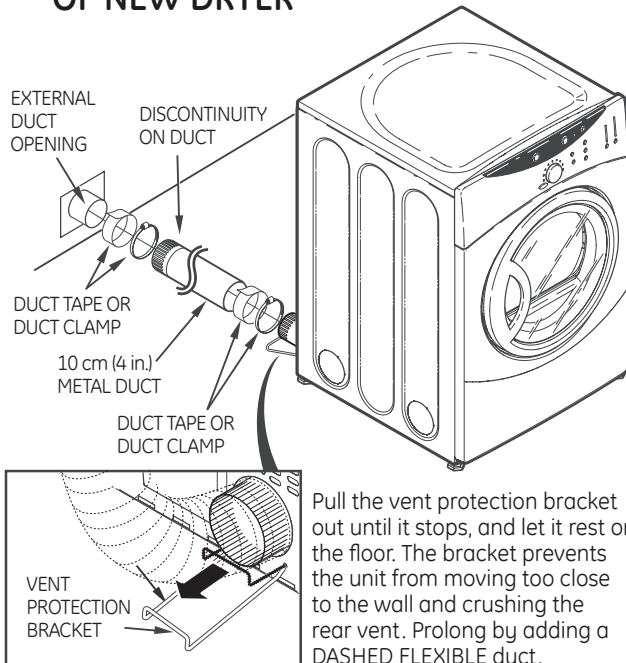
Step 9 Place the owners Use and Care in a location where it will be noticed by the owner.

For alcove or closet installation, see section 6.
For bathroom or bedroom installation, see section 7.
For mobile or manufactured home see, section 8.
For side or bottom exhaust, see section 9.

Minimum Clearance Other Than Alcove or Closet Installation

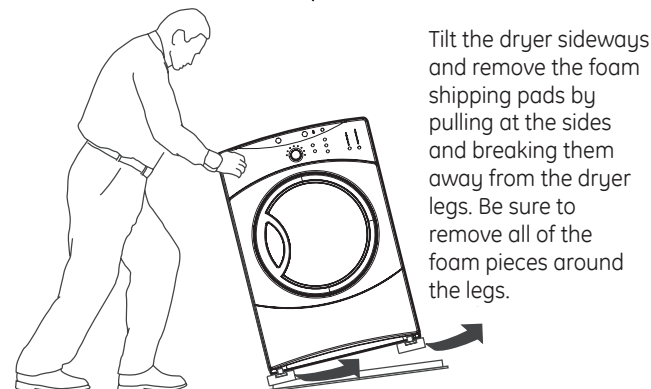
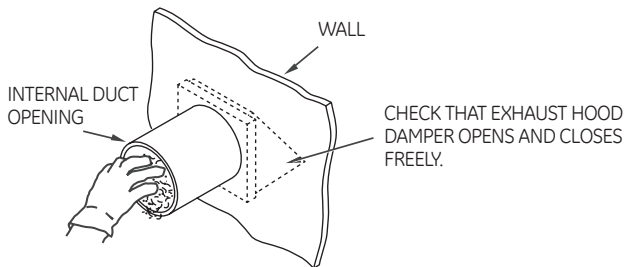
Minimum clearance to combustible surfaces and for air opening are: 0 cm (0 in.) clearance both sides and 2.5 cm (1 in.) rear. Consideration **must** be given to provide adequate clearance for installation and service.

1 PREPARING FOR INSTALLATION OF NEW DRYER



TIP: Install your dryer before installing your washer. This will allow better access when installing dryer exhaust.

REMOVING LINT FROM WALL EXHAUST OPENING & FOAM REMOVAL FROM DRYER LEGS



2 ELECTRICAL CONNECTION INFORMATION

⚠ WARNING - TO REDUCE THE RISK OF FIRE, ELECTRICAL SHOCK AND PERSONAL INJURY:

DO NOT USE AN EXTENSION CORD OR AND ADAPTER PLUG WITH THIS APPLIANCE.

Dryer must be electrically grounded in accordance with local codes and ordinances. Installation must be in accordance with the current CSA C22.1 Canadian Electrical code part 1. Improper connection of the equipment-grounding conductor can result in an electric shock. Check with a qualified electrician or service representative or personnel if you are in doubt as to whether the appliance is properly grounded.

Do not modify the plug provided with the appliance: if it will not fit the outlet, have a proper outlet installed by a qualified electrician.

ELECTRICAL REQUIREMENTS

This dryer must be connected to an individual branch circuit, protected by the required time-delay fuses or circuit breakers. The power supply must be of 120/240 volts, 60 Hz circuit with the wall receptacle as shown below:



The power supply must be protected with 30 Amp fuses or breakers. It must be well grounded and conform to local codes.

GROUNDING INSTRUCTIONS

This appliance must be grounded. In the event of malfunction or breakdown, grounding will reduce the risk of electrical shock by providing a path of least resistance for electrical current. This appliance is equipped with a cord having an equipment-grounding conductor and a grounding plug. The plug must be plugged into an appropriate outlet that is properly installed and grounded in accordance with all local codes and ordinances.

Installation Instructions / Electric Dryer

3 EXHAUST INFORMATION

⚠ WARNING - USE ONLY METAL 10 cm (4") DUCT. DO NOT USE DUCT LONGER THAN SPECIFIED IN THE EXHAUST LENGTH TABLE.

Using exhaust longer than specified length will:

- Increase the drying times and the energy cost.
- Reduce the dryer life.
- Accumulate lint, creating a potential fire hazard.

The correct exhaust installation is YOUR RESPONSIBILITY. Problems due to incorrect installation are not covered by the warranty.

The MAXIMUM ALLOWABLE length of the exhaust system depends upon the type of duct, number of turns, the type of exhaust hood (wall cap), and all conditions noted below. Both rigid and flexible metal duct are shown in the table below.

EXHAUST LENGTH

No. of 90° Elbows	RECOMMENDED MAXIMUM LENGTH			
	Exhaust Hood Types			
	Recommended		Use only for short run installations	
0	27.4 m (90 ft.)	16.8 m (55 ft.)	18.3 m (60 ft.)	13.7 m (45 ft.)
1	18.3 m (60 ft.)	12.2 m (40 ft.)	13.7 m (45 ft.)	9.1 m (30 ft.)
2	13.7 m (45 ft.)	9.1 m (30 ft.)	10.7 m (35 ft.)	6.1 m (20 ft.)
3	10.7 m (35 ft.)	6.1 m (20 ft.)	7.6 m (25 ft.)	4.6 m (15 ft.)
4	7.6 m (25 ft.)	4.6 m (15 ft.)	4.6 m (15 ft.)	3.0 m (10 ft.)

If using flexible metal duct, please refer to page 10.

EXHAUST SYSTEM CHECKLIST

HOOD OR WALLCAP

- Terminate in a manner to prevent back drafts or entry of birds or other wildlife.
- Termination should present minimal resistance to the exhaust air flow and should require little or no maintenance to prevent clogging.
- Never install a screen in or over the exhaust duct. This could cause lint build up, thus creating a fire hazard.
- Wall caps must be installed at least 30 cm (12 in.) above ground level or any other obstruction with the opening pointed down.
- If roof vents or louvered plenums are used, they must be equivalent to a 10 cm (4 in.) dampened wall cap in regard to resistance to air flow, prevention of back drafts, and maintenance required to prevent clogging.

SEPARATION OF TURNS

For best performance, separate all turns by at least 1.2 m (4 ft.) of straight duct, including distance between last turn and exhaust hood.

TURNS OTHER THAN 90°

- One turn of 45° or less may be ignored.
- Two 45° turns should be treated as one 90° turn.
- Each turn over 45° should be treated as one 90° turn.

SEALING OF JOINTS

- All joints should be tight to avoid leaks. The male end of each section of duct must point away from the dryer.
- Do not assemble the ductwork with fasteners that extend into the duct. They will serve as a collection point for lint.
- Duct joints should be made air and moisture-tight by wrapping the overlapped joints with duct tape.
- Horizontal runs should slope down toward the outdoors 1.2cm (1/2 in.)/ft.

INSULATION

Duct work that runs through an unheated area or is near air conditioning should be insulated to reduce condensation and lint build-up.

4 EXHAUST CONNECTION

⚠ WARNING - TO REDUCE THE RISK OF FIRE OR PERSONAL INJURY:

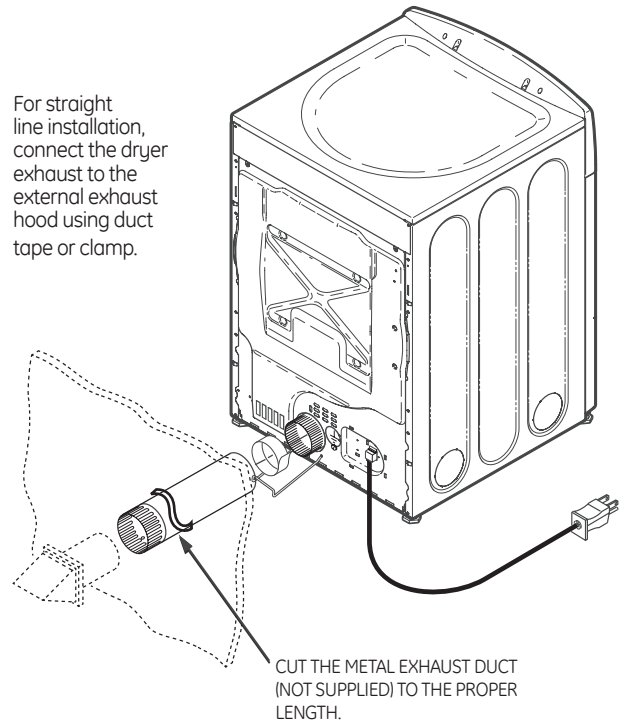
This dryer must be exhausted to the outdoors.

- Use only metal duct.
- Do not terminate exhaust in a chimney, any gas vent, under an enclosed floor (crawl space), or into an attic. The accumulated lint could create a fire hazard.
- Provide an access for inspection and cleaning of the exhaust system, especially at turns. Inspect and clean at least once a year.
- Never terminate the exhaust into a common duct with a kitchen exhaust. A combination of lint and grease could create a fire hazard.
- Do not obstruct incoming or exhausted air.

THIS DRYER COMES READY FOR REAR EXHAUSTING. IF SPACE IS LIMITED, USE THE INSTRUCTIONS IN SECTION 9 TO EXHAUST DIRECTLY FROM THE SIDES OR BOTTOM OF THE CABINET.

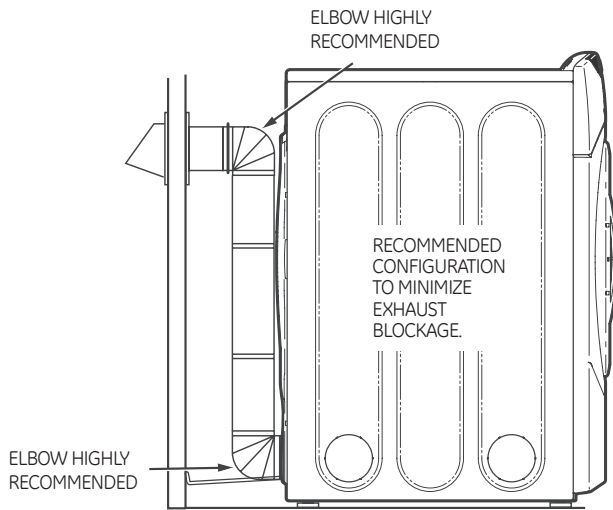
STANDARD REAR EXHAUST (Vented at floor level)

For straight line installation, connect the dryer exhaust to the external exhaust hood using duct tape or clamp.



NOTE: WE STRONGLY RECOMMEND SOLID METAL EXHAUST DUCTING. HOWEVER, IF FLEXIBLE DUCTING IS USED IT **MUST BE METAL NOT PLASTIC.**

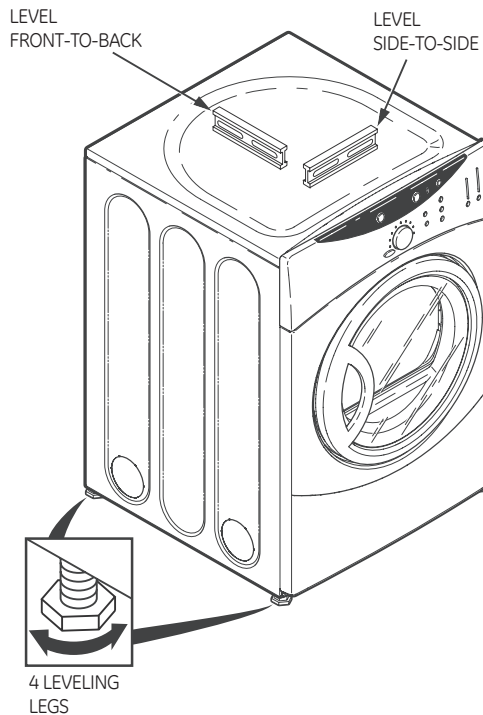
STANDARD REAR EXHAUST (Vented above floor level)



NOTE: ELBOWS WILL PREVENT DUCT KINKING AND COLLAPSING.

5 LEVELING AND STABILIZING YOUR DRYER

Stand the dryer upright near the final location and adjust the 4 leveling legs, at the corners, to ensure that the dryer is level from side to side and front to rear.



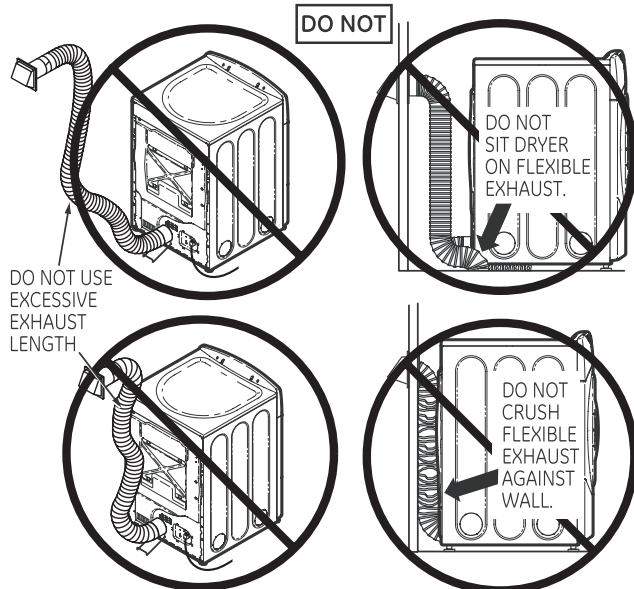
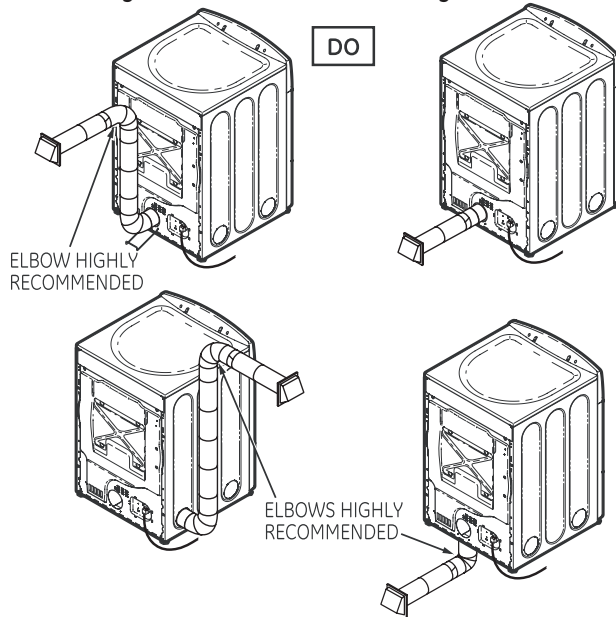
Installation Instructions / Electric Dryer

USING FLEXIBLE METAL DUCTS

If rigid all-metal duct cannot be used, then flexible all-metal ducting can be used, but it will reduce the maximum recommended duct length. In special installations when it is impossible to use only metal ducting, then UL-listed clothes dryer flexible metal transition duct may be used as transition venting between the dryer and wall connection only. The use of this ducting will affect dry time.

If flexible transition duct is necessary, the following directions must be followed.

- Use the shortest length possible.
- Stretch the duct to its maximum length to avoid kinks.
- Do not crush or collapse the duct.
- Extend vent protection bracket as described in step 1.
- Never use transition duct inside the wall or inside the dryer on page 2.
- Avoid resting the duct on sharp objects.
- **Venting must conform to local building codes.**



EXHAUSTING

A CLOTHES DRYER PRODUCES COMBUSTIBLE LINT. FOR ALL INSTALLATIONS, THE DRYER MUST BE CONNECTED TO AN EXHAUST TO THE OUTDOORS.

NOTE: MOBILE HOME, BEDROOM, BATHROOM, ALCOVE OR CLOSET INSTALLATIONS MUST BE EXHAUSTED TO THE OUTDOORS.

6 ALCOVE OR CLOSET INSTALLATION

- If your dryer is approved for installation in an alcove or closet, it will be stated on a label on the dryer back.
- The dryer **MUST** be vented to the outdoors. See the EXHAUST INFORMATION sections 3 & 4.
- Minimum clearance between dryer cabinet and adjacent walls or other surfaces is:

- 0.0 cm (0 in.) either side
- 2.5 cm (1 in.) front
- 2.5 cm (1 in.) rear
- 2.5 cm (1 in.) top

- Closet doors must be louvered or otherwise ventilated and must contain a minimum of 387 sq. cm (60 sq. in.) of open area equally distributed. If the closet contains both a washer and a dryer, doors must contain a minimum of 774 sq. cm (120 sq. in.) of open area equally distributed.

NOTE: WHEN THE EXHAUST DUCT IS LOCATED AT THE REAR OF THE DRYER, MINIMUM CLEARANCE FROM THE WALL IS 2.5 cm (1 in.)

7 BATHROOM OR BEDROOM INSTALLATION

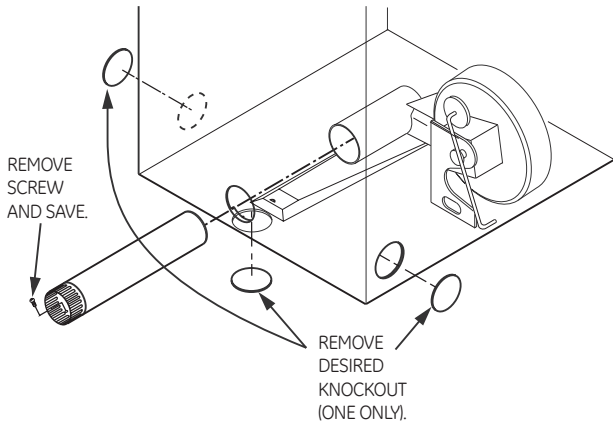
- The dryer **MUST** be vented to the outdoors. See EXHAUST INFORMATION section 3 & 4.
- The installation must conform with local codes or, in the absence of local codes, with the current CSA C22.1 Canadian Electrical code part 1.

8 MOBILE OR MANUFACTURED HOME INSTALLATION

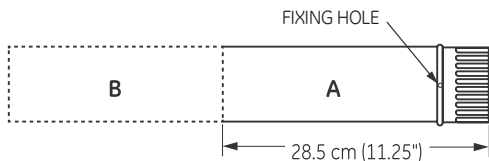
- Installation must conform to the current CAN/CSA Z240 MH series Mobile Home Installation Codes.
- The dryer **MUST** be vented to the outdoors with the termination securely fastened to the mobile home structure. (See EXHAUST INFORMATION section 3 & 4.)
- The vent **MUST NOT** be terminated beneath a mobile or manufactured home.
- The vent duct material **MUST BE METAL**.
- Do not use sheet metal screws or other fastening devices which extend into the interior of the exhaust vent.
- See section 2 for electrical connection information.

9 DRYER EXHAUST TO RIGHT, LEFT OR BOTTOM CABINET

⚠ WARNING - BEFORE PERFORMING THIS EXHAUST INSTALLATION, BE SURE TO DISCONNECT THE DRYER FROM ITS ELECTRICAL SUPPLY. PROTECT YOUR HANDS AND ARMS FROM SHARP EDGES WHEN WORKING INSIDE THE CABINET. BE SURE TO WEAR GLOVES.

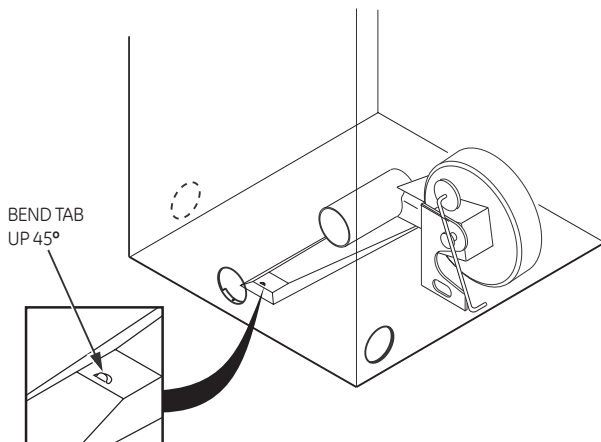


Detach and remove the bottom, right or left side knockout as desired. Remove the screw inside the dryer exhaust duct and save. Pull the duct out of the dryer.



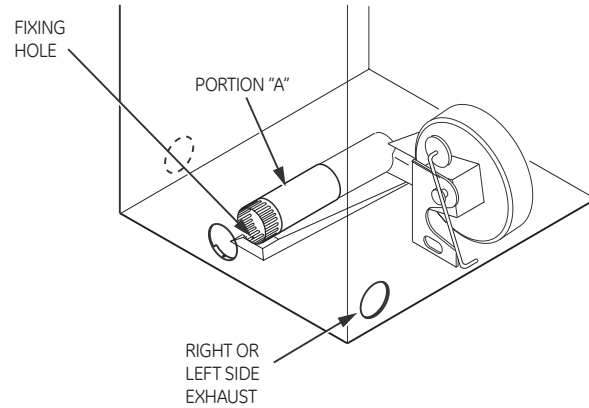
Cut the duct as shown and keep portion A.

TAB LOCATION



Through the rear opening, locate the tab in the middle of the appliance base. Lift the tab to about 45° using a flat blade screwdriver.

ADDING NEW DUCT

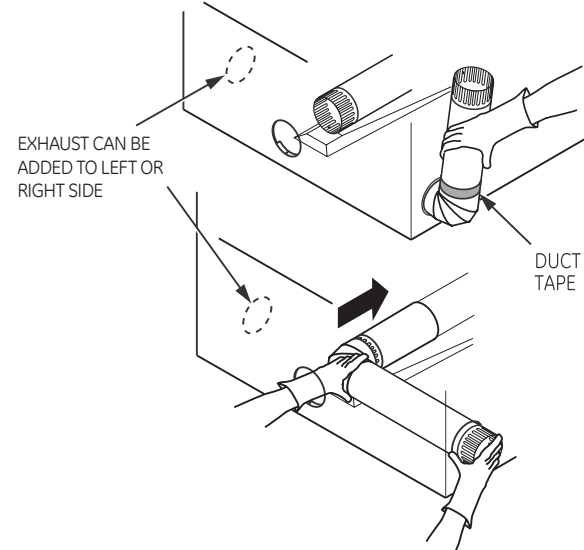


Reconnect the cut portion (A) of the duct to the blower housing. Make sure that the shortened duct is aligned with the tab in the base. Use the screw saved previously to secure the duct in place through the tab on the appliance base.

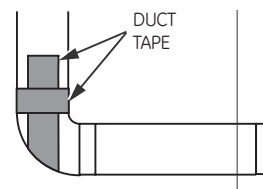
ADDING ELBOW AND DUCT FOR EXHAUST TO LEFT OR RIGHT SIDE OF CABINET

- Preassemble 10 cm (4") elbow with 10 cm (4") duct. Wrap duct tape around joint.
- Insert duct assembly, elbow first, through the side opening and connect the elbow to the dryer internal duct.

CAUTION: Be sure not to pull or damage the electrical wires inside the dryer when inserting the duct.



- Apply duct tape as shown on the joint between the dryer internal duct and the elbow.

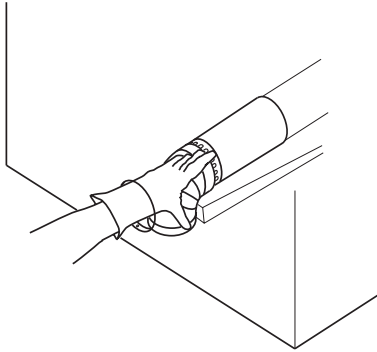


CAUTION: Internal duct joints must be secured with tape, otherwise they may separate and cause a safety hazard.

Installation Instructions / Electric Dryer

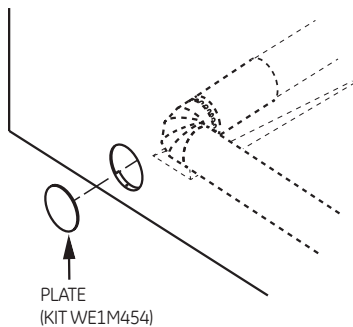
DRYER EXHAUST TO RIGHT, LEFT OR BOTTOM CABINET

- Insert the elbow through the rear opening and connect it to the dryer internal duct.
- Apply duct tape on the joint between the dryer internal duct and elbow, as shown on page 11.



CAUTION:
Internal duct joints must be secured with tape, otherwise they may separate and cause a safety hazard.

ADDING COVER PLATE TO REAR OF CABINET (SIDES AND BOTTOM EXHAUST)



Connect standard metal elbows and ducts to complete the exhaust system. Cover back opening with a plate (Kit WE1M454) available from your local service provider. Place dryer in final location.

! WARNING - NEVER LEAVE THE BACK OPENING WITHOUT THE PLATE. (Kit WE1M454)

10 SERVICING

! WARNING - LABEL ALL WIRES PRIOR TO DISCONNECTING WHEN SERVICING CONTROLS. WIRING ERRORS CAN CAUSE IMPROPER AND DANGEROUS OPERATION AFTER SERVICING/INSTALLATION.

For servicing phone numbers for replacement parts, and other information, refer to Owner's Manual or visit our Web site.

PEDESTALS FOR DRYERS (comes with individual installation instructions)

Available models: -SBSD227F
-SBSD137H
-SBSD107H

BEFORE YOU BEGIN:

Read these instructions completely and carefully.

IMPORTANT - Save these instructions for local inspector's use.

IMPORTANT - Observe all governing codes and ordinances.

Note to Installer - Be sure to leave these instructions with the customer.

Note to Customer - Keep these instructions with your Use and Care Book for future reference.

Before the old dryer is removed from service or discarded, remove the dryer door.

Service information and the wiring diagram are located in the control console.

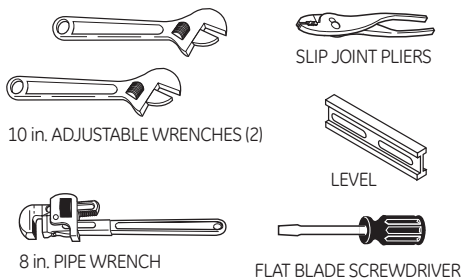
⚠ WARNING!

FOR YOUR SAFETY:

- Use only rigid metal or flexible metal 10 cm (4 in.) diameter ductwork for exhausting to the outdoors. Never use plastic or other combustible, easy-to-puncture ductwork.
- This appliance must be properly grounded and installed as described in these instructions.
- Do not install or store appliance in an area where it will be exposed to water and/or weather.
- Verify and conform to local regulations before installing an appliance in the garage.
- Install the dryer where the temperature is above 10° C (50°F) for satisfactory operation of the dryer control system.
- This dryer must be exhausted to the outdoors.
- Inspect the dryer exhaust outlet and straighten the outlet walls if they are bent.
- Do not allow children on or in the appliance. Close supervision of children is necessary when the appliance is used near children.

NOTE: Installation and service of this dryer requires basic mechanical and electrical skills. It is your responsibility to contact a qualified installer to make the electrical connections.

TOOLS YOU WILL NEED



MATERIALS YOU WILL NEED



- Step 1 Verify your gas installation (see section 2).
- Step 2 Prepare the area and exhaust for installation of new dryer (see section 1).
- Step 3 Check and ensure the existing external exhaust is clean (see section 1) and meets attached installation specifications (see section 6).
- Step 4 Remove the foam shipping pads (see section 1).
- Step 5 Move the dryer to the desired location.
- Step 6 Level your dryer (see section 8).
- Step 7 Connect the gas supply (see section 3) and check for leaks (see section 4)

- Step 8 Connect the external exhaust (see section 7).
- Step 9 Connect the power supply (see section 5).
- Step 10 Check the operation of the power supply, gas connections and venting.
- Step 11 Place the Use and Care in a location where it will be noticed by the owner.

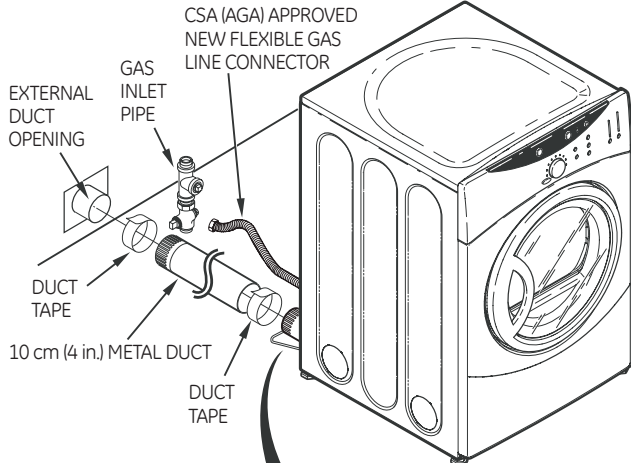
For alcove or closet installation, see section 9.
For bathroom or bedroom installation, see section 10.
For mobile or manufactured home see, section 11.

Installation Instructions / Gas Dryer

Minimum Clearance Other Than Alcove or Closet Installation

Minimum clearance to combustible surfaces and for air opening are: 0 cm (0 in.) clearance both sides and 2.5 cm (1 in.) rear. Consideration **must** be given to provide adequate clearance for installation and service.

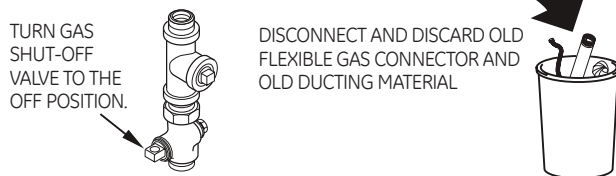
1 PREPARING FOR INSTALLATION OF NEW DRYER



Pull the vent protection bracket out until it stops, and let it rest on the floor. The bracket prevents the unit from moving too close to the wall and crushing the rear vent. Prolong by adding a DASHED FLEXIBLE duct.

TIP: Install your dryer before installing your washer. This will allow better access when installing dryer exhaust.

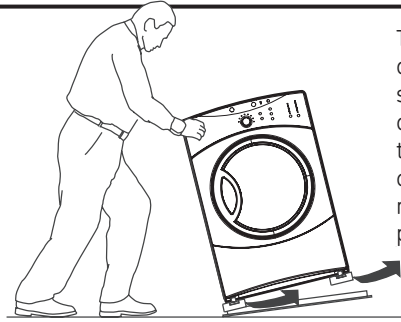
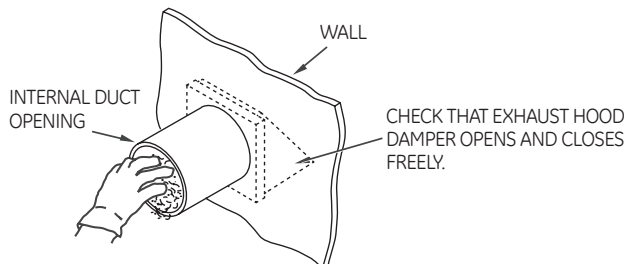
DISCONNECTING GAS



WARNING - NEVER REUSE OLD FLEXIBLE CONNECTORS.

The use of old flexible connectors can cause leaks and personal injury. Always use new flexible connectors when installing gas appliances.

REMOVING LINT FROM WALL EXHAUST OPENING



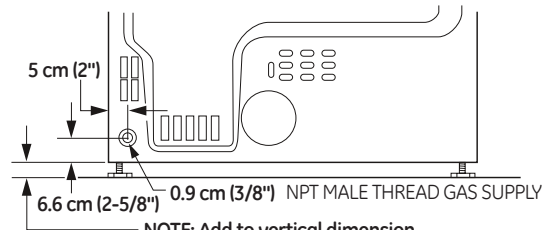
Tilt the dryer sideways and remove the foam shipping pads by pulling at the sides and breaking them away from the dryer legs. Be sure to remove all of the foam pieces around the legs.

2 GAS REQUIREMENTS

WARNING!

- Installation must conform to local codes and ordinances, or in their absence, the **NCAN/CGA-B149**, Natural Gas, Installation.
- This gas dryer is equipped with a Valve & Burner Assembly for use only with natural gas. Using conversion kit **WE25M43**, your local service organization can convert this dryer for use with propane (LP) gas. **ALL CONVERSIONS MUST BE MADE BY PROPERLY TRAINED AND QUALIFIED PERSONNEL AND IN ACCORDANCE WITH LOCAL CODES AND ORDINANCE REQUIREMENTS OF THE CAN/CGA-B149.1 AND B149.2 INSTALLATION CODE.**
- The dryer must be disconnected from the gas supply piping system during any pressure testing of that system at a test pressure in excess of 0.5 PSI (3.4 KPa).
- The dryer must be isolated from the gas supply piping system by closing the equipment shut-off valve during any pressure testing of the gas supply piping of test pressure equal to or less than 0.5 PSI (3.4 KPa).

DRYER GAS SUPPLY CONNECTION



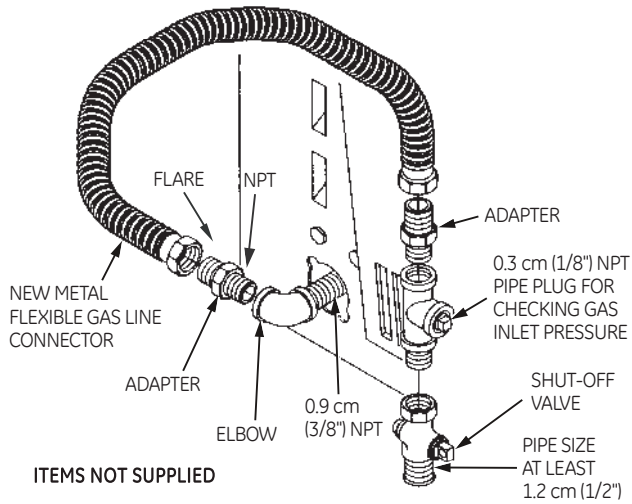
NOTE: Add to vertical dimension the distance between cabinet bottom to floor.

GAS SUPPLY

- A 0.3 cm (1/8-in.) National Pipe Taper thread plugged tapping, accessible for test gauge connection, must be installed immediately upstream of the gas supply connection to the dryer. Contact your local gas utility should you have questions on the installation of the plugged tapping.
- Supply line is to be 1.2 cm (1/2-in.) rigid pipe and equipped with an accessible shut-off within 2 m (6 ft.) of, and in the same room with, the dryer.
- Use pipe thread sealer compound appropriate for natural or LP gas or use Teflon tape.
- You must use with this dryer a flexible metal connector listed connector ANSI Z21.24 / CSA 6.10.
- Connect flexible metal connector to dryer and gas supply.
- Open shut-off valve.

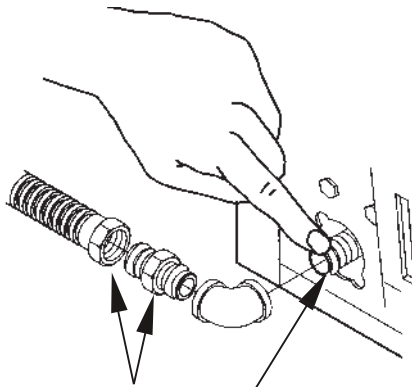
3 RECONNECTING GAS

Listed connector ANSIZ21.24 / CSA 6.10

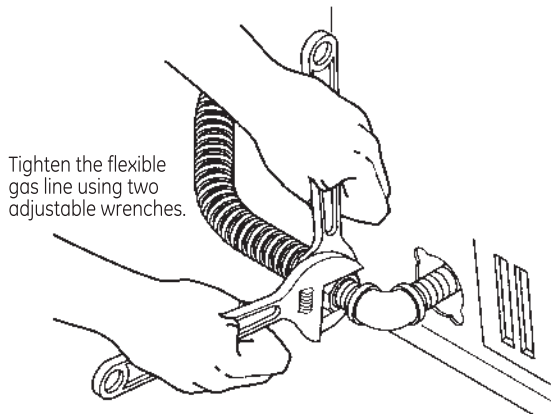


Note: The connector and fittings are designed for use only on the original installation and are not to be reused for another appliance or at another location. Keep flare end of adapter free of grease, oil and thread sealant.

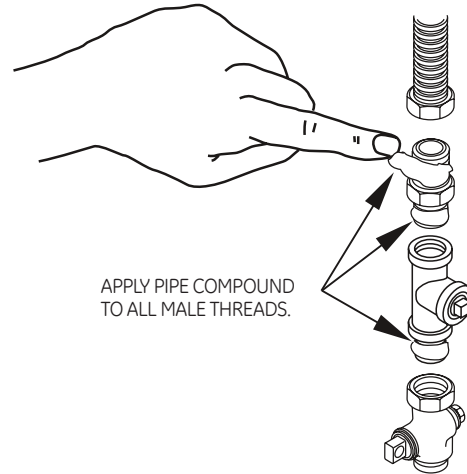
Caution: Use adapters as shown. Connector nuts must not be connected directly to pipe threads.



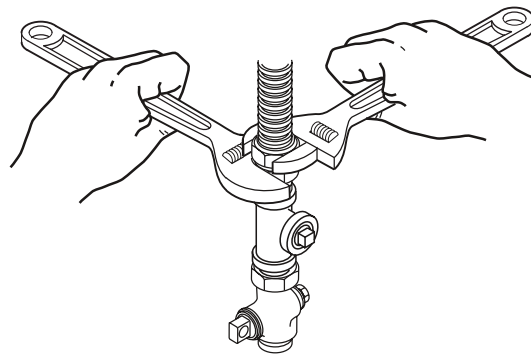
APPLY PIPE COMPOUND TO THE ADAPTER AND DRYER GAS INLET.



Tighten the flexible gas line using two adjustable wrenches.



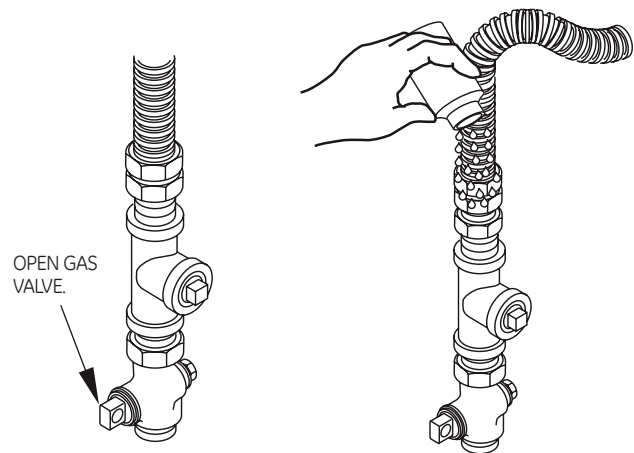
APPLY PIPE COMPOUND TO ALL MALE THREADS.



Tighten all connections using two adjustable wrenches.
Do not overtorque gas connections!

4 LEAK TEST

⚠ WARNING - NEVER USE AN OPEN FLAME TO TEST FOR GAS LEAKS.



OPEN GAS VALVE.

Check all connections for leaks with soapy solution or equivalent. Apply soap solution. **Leak test solution must not contain ammonia which could cause damage to the brass fittings.** If leaks are found, close valve, retighten the joint, and repeat the soap test.

Installation Instructions / Gas Dryer

5 ELECTRICAL CONNECTION INFORMATION

⚠ WARNING - TO REDUCE THE RISK OF FIRE, ELECTRICAL SHOCK AND PERSONAL INJURY: DO NOT USE AN EXTENSION CORD OR AN ADAPTER PLUG WITH THIS APPLIANCE.

Dryer must be electrically grounded in accordance with local codes and ordinances, or in the absence of local codes, in accordance with the current CSA C22.1 Canadian Electrical code part 1. Improper connection of the equipment-grounding conductor can result in an electric shock. Check with a qualified electrician or service representative or personnel if you are in doubt as to whether the appliance is properly grounded.

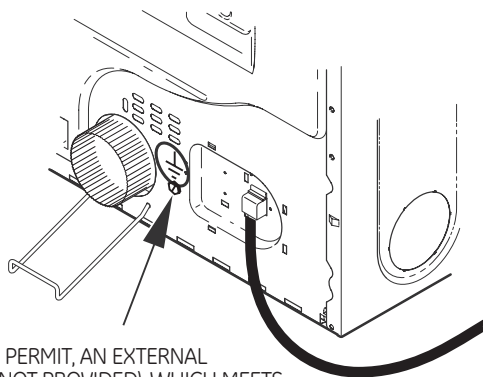
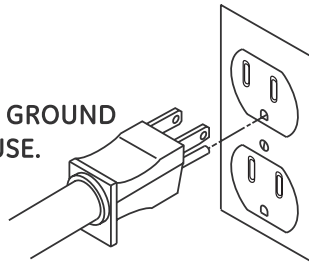
Do not modify the plug provided with the appliance: if it will not fit the outlet, have a proper outlet installed by a qualified electrician.

ELECTRICAL REQUIREMENTS

This appliance must be supplied with 120V, 60Hz, and connected to a properly grounded branch circuit, protected by a 15- or 20-amp circuit breaker or time-delay fuse. If electrical supply provided does not meet the above specifications, it is recommended that a licensed electrician install an approved outlet.

⚠ WARNING - THIS DRYER IS EQUIPPED WITH A THREE-PRONG (GROUNDING) PLUG FOR YOUR PROTECTION AGAINST SHOCK HAZARD AND SHOULD BE PLUGGED DIRECTLY INTO A PROPERLY GROUNDED THREE-PRONG RECEPTACLE. DO NOT CUT OR REMOVE THE GROUNDING PRONG FROM THIS PLUG. INSTALLATION MUST BE IN ACCORDANCE WITH THE CURRENT CSA C22.1 CANADIAN ELECTRICAL CODE PART 1 AND/OR LOCAL CODES.

ENSURE PROPER GROUND EXISTS BEFORE USE.



IF LOCAL CODES PERMIT, AN EXTERNAL GROUND WIRE (NOT PROVIDED), WHICH MEETS LOCAL CODES, MAY BE ADDED BY ATTACHING TO THE GREEN GROUND SCREW ON THE REAR OF THE DRYER, AND TO A GROUNDED METAL COLD WATER PIPE OR OTHER ESTABLISHED GROUND.

6 EXHAUST INFORMATION

⚠ WARNING - USE ONLY METAL 10 cm (4in.) DUCT. DO NOT USE DUCT LONGER THAN SPECIFIED IN THE EXHAUST LENGTH TABLE.

Using exhaust longer than specified length will:

- Increase the drying times and the energy cost.
- Reduce the dryer life.
- Accumulate lint, creating a potential fire hazard.

The correct exhaust installation is YOUR RESPONSIBILITY. Problems due to incorrect installation are not covered by the warranty.

The MAXIMUM ALLOWABLE length of the exhaust system depends upon the type of duct, number of turns, the type of exhaust hood (wall cap), and all conditions noted below. Both rigid and flexible metal duct are shown in the table below.

EXHAUST LENGTH

	RECOMMENDED MAXIMUM LENGTH			
	Exhaust Hood Types			
	Recommended		Use only for short run installations	
No. of 90° Elbows	Rigid Metal	Flexible Metal	Rigid Metal	Flexible Metal
0	27.4 m (90 ft.)	16.8 m (55 ft.)	18.3 m (60 ft.)	13.7 m (45 ft.)
1	18.3 m (60 ft.)	12.2 m (40 ft.)	13.7 m (45 ft.)	9.1 m (30 ft.)
2	13.7 m (45 ft.)	9.1 m (30 ft.)	10.7 m (35 ft.)	6.1 m (20 ft.)
3	10.7 m (35 ft.)	6.1 m (20 ft.)	7.6 m (25 ft.)	4.6 m (15 ft.)

If using flexible metal duct, please refer to page 18.

EXHAUST SYSTEM CHECKLIST

HOOD OR WALLCAP

- Terminate in a manner to prevent back drafts or entry of birds or other wildlife.
- Termination should present minimal resistance to the exhaust air flow and should require little or no maintenance to prevent clogging.
- Never install a screen in or over the exhaust duct.
- Wall caps must be installed at least 30 cm (12 in.) above ground level or any other obstruction with the opening pointed down.
- If roof vents or louvered plenums are used, they must be equivalent to a 10 cm (4 in.) dampened wall cap in regard to resistance to air flow, prevention of back drafts, and maintenance required to prevent clogging.

SEPARATION OF TURNS

For best performance, separate all turns by at least 1.2 m (4 ft.) of straight duct, including distance between last turn and dampened wall cap.

TURNS OTHER THAN 90°

- One turn of 45° or less may be ignored.
- Two 45° turns should be treated as one 90° turn.
- Each turn over 45° should be treated as one 90° turn.

SEALING OF JOINTS

- All joints should be tight to avoid leaks. The male end of each section of duct must point away from the dryer.
- Do not assemble the ductwork with fasteners that extend into the duct. They will serve as a collection point for lint.
- Duct joints should be made air- and moisture-tight by wrapping the overlapped joints with duct tape.
- Horizontal runs should slope down toward the outdoors 1.2cm (1/2 in.)/ft.

INSULATION

Duct work that runs through an unheated area or is near air conditioning should be insulated to reduce condensation and lint build-up.

7 EXHAUST CONNECTION

⚠ WARNING - TO REDUCE THE RISK OF FIRE OR PERSONAL INJURY:

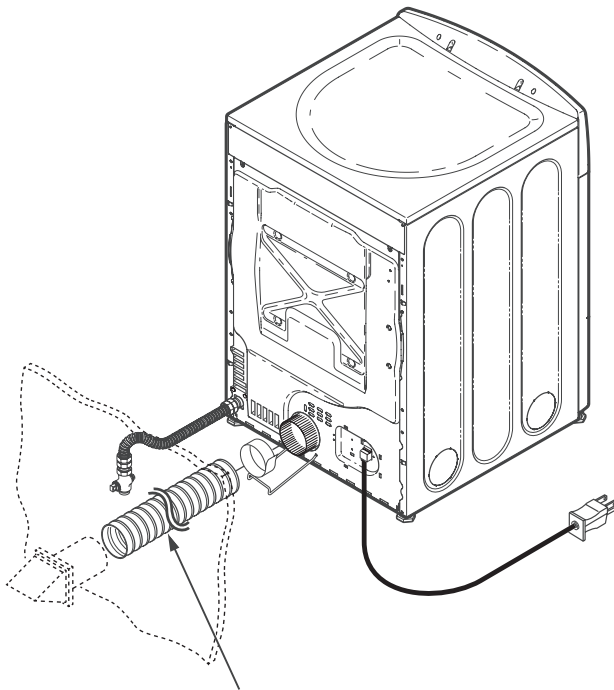
This dryer must be exhausted to the outdoors.

- Use only metal duct.
- Do not terminate exhaust in a chimney, any gas vent, under an enclosed floor (crawl space), or into an attic. The accumulated lint could create a fire hazard.
- Provide an access for inspection and cleaning of the exhaust system, especially at turns. Inspect and clean at least once a year.
- Never terminate the exhaust into a common duct with a kitchen exhaust. A combination of lint and grease could create a fire hazard.
- Do not obstruct incoming or exhausted air.

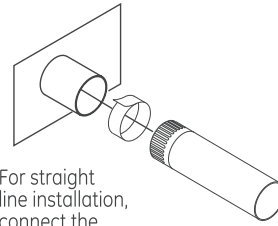
WE RECOMMEND THAT YOU INSTALL YOUR DRYER BEFORE YOUR WASHER. THIS WILL PERMIT DIRECT ACCESS FOR EASIER EXHAUST CONNECTION.

THIS DRYER COMES READY FOR REAR EXHAUSTING. IF SPACE IS LIMITED, USE THE INSTRUCTIONS IN SECTION 12 TO EXHAUST DIRECTLY FROM THE LEFT SIDE OR BOTTOM OF THE CABINET.

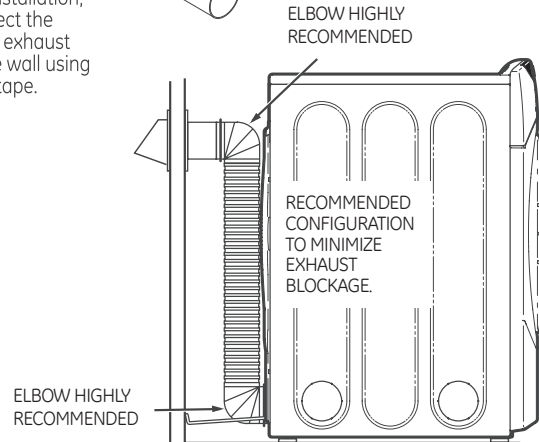
STANDARD REAR EXHAUST



WE STRONGLY RECOMMEND THE USE OF RIGID METAL EXHAUST DUCT. IF USING FLEXIBLE METAL DUCT, CUT IT TO THE PROPER LENGTH AND AVOID BUNCHING OF THE DUCT BEHIND THE DRYER.



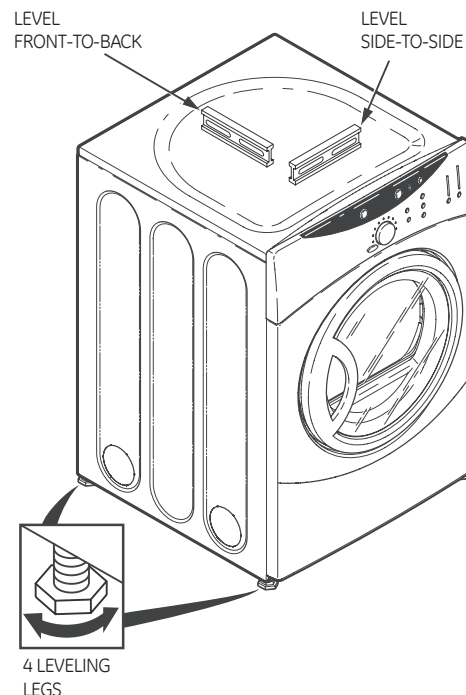
For straight line installation, connect the dryer exhaust to the wall using duct tape.



NOTE: ELBOWS WILL PREVENT DUCT KINKING AND COLLAPSING.

8 LEVELING DRYER

Stand the dryer upright near the final location and adjust the 4 leveling legs to match the height of your washer.



4 LEVELING LEGS

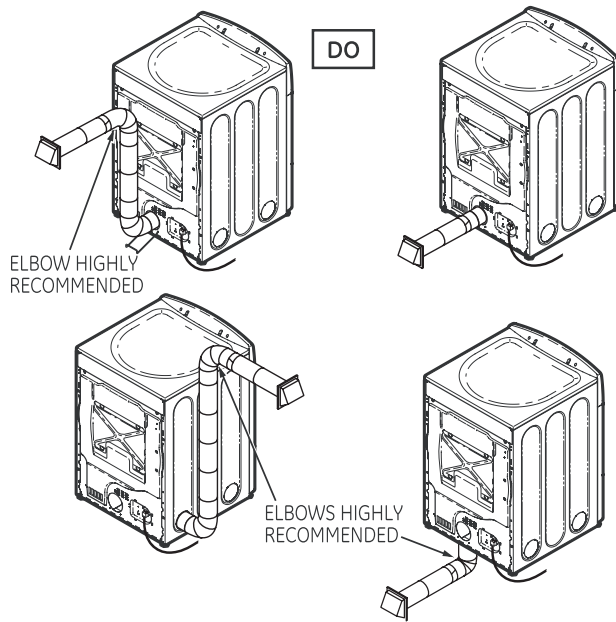
Installation Instructions / Gas Dryer

USING FLEXIBLE METAL DUCTS

If rigid all-metal duct cannot be used, then flexible all-metal venting can be used, but it will reduce the maximum recommended duct length. In special installations when it is impossible to use only metal ducting, then UL-listed clothes dryer flexible metal transition duct may be used as transition venting between the dryer and wall connection only. The use of this ducting will affect dry time.

If flexible transition duct is necessary, the following directions must be followed.

- Use the shortest length possible.
- Stretch the duct to its maximum length to avoid kinks.
- Do not crush or collapse the duct.
- Extend vent protection bracket as described in step 1 on page 2.
- Never use transition duct inside the wall or inside the dryer.
- Avoid resting the duct on sharp objects.
- **Venting must conform to local building codes.**



EXHAUSTING

A CLOTHES DRYER PRODUCES COMBUSTIBLE LINT. FOR ALL INSTALLATIONS, THE DRYER MUST BE CONNECTED TO AN EXHAUST TO THE OUTDOORS.

NOTE: MOBILE HOME, BEDROOM, BATHROOM, ALCOVE OR CLOSET INSTALLATIONS MUST BE EXHAUSTED TO THE OUTDOORS.

9 ALCOVE OR CLOSET INSTALLATION

- If your dryer is approved for installation in an alcove or closet, it will be stated on a label on the dryer back.
- The dryer **MUST** be vented to the outdoors. See the EXHAUST INFORMATION sections 3 & 4.
- Minimum clearance between dryer cabinet and adjacent walls or other surfaces is:
0 in. either side
7.6 cm (3 in.) front and rear
- Minimum vertical space from floor to overhead cabinets, ceiling, etc. is 109 cm (43 in.) without pedestal, 140 cm (55 in.) with pedestal.
- Closet doors must be louvered or otherwise ventilated and must contain a minimum of 387 sq. cm (60 sq. in.) of open area equally distributed. If the closet contains both a washer and a dryer, doors must contain a minimum of 774 sq. cm (120 sq. in.) of open area equally distributed.
- The closet should be vented to the outdoors to prevent gas pocketing in case of a gas leak in the supply line.
- No other fuel-burning appliance shall be installed in the same closet with the dryer.

NOTE: WHEN THE EXHAUST DUCT IS LOCATED AT THE REAR OF THE DRYER, MINIMUM CLEARANCE FROM THE WALL IS 14 cm (5.5 IN.)

10 BATHROOM OR BEDROOM INSTALLATION

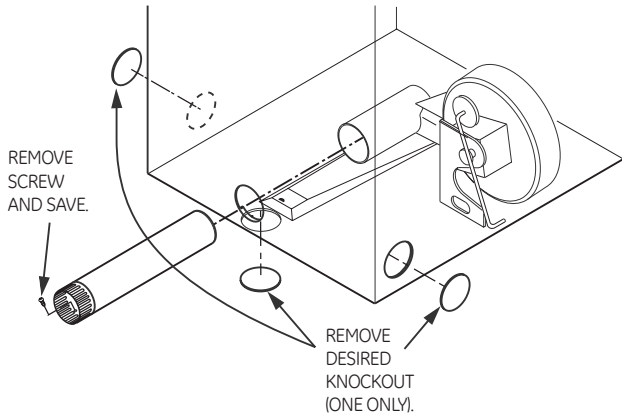
- The dryer **MUST** be vented to the outdoors. See EXHAUST INFORMATION section 6.
- The installation must conform with local codes or, in the absence of local codes, with the current CSA C22.1 Canadian Electrical code part 1.

11 MOBILE OR MANUFACTURED HOME INSTALLATION

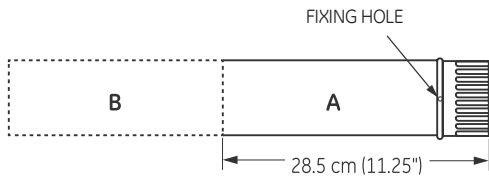
- Installation must conform to the current CAN/CSA Z240 MH series Mobile Home Installation Codes.
- The dryer **MUST** be vented to the outdoors with the termination securely fastened to the mobile home structure. (See EXHAUST INFORMATION section 6.)
- The vent **MUST NOT** be terminated beneath a mobile or manufactured home.
- The vent duct material **MUST BE METAL**.
- KIT 14-D346-33 **MUST** be used to attach the dryer securely to the structure.
- The vent **MUST NOT** be connected to any other duct, vent, or chimney.
- Do not use sheet metal screws or other fastening devices which extend into the interior of the exhaust vent.
- Provide an opening with a free area of at least 161 cm sq. (25 sq. in.) for introduction of outside air into the dryer room.

12 DRYER EXHAUST TO LEFT OR BOTTOM CABINET

⚠ WARNING - PROTECT YOUR HANDS AND ARMS FROM SHARP EDGES WHEN WORKING INSIDE THE CABINET.

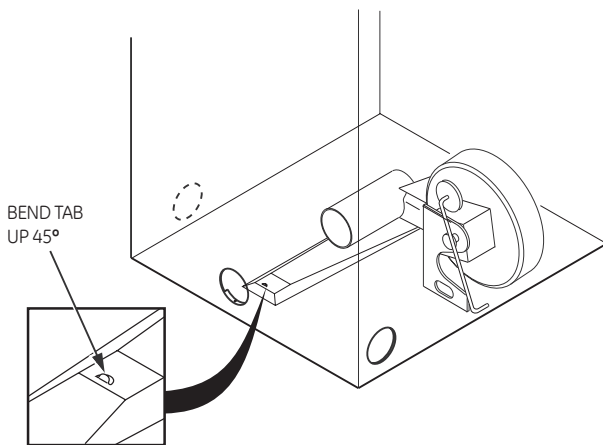


Detach and remove the bottom, right or left side knockout as desired. Remove the screw inside the dryer exhaust duct and save. Pull the duct out of the dryer. Protect sharp edges around the knockout and exhaust opening with the tape.



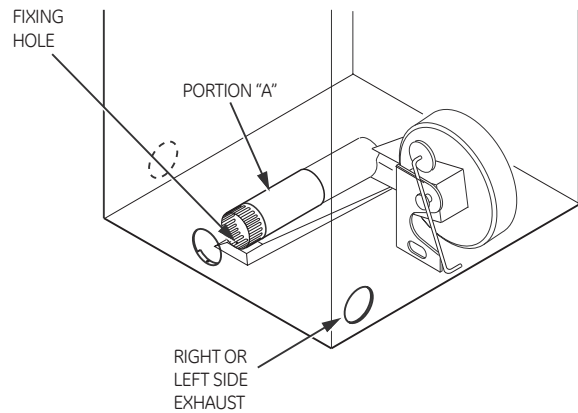
Cut the duct as shown and keep portion A.

TAB LOCATION



Through the rear opening, locate the tab in the middle of the appliance base. Lift the tab to about 45° using a flat blade screwdriver.

ADDING NEW DUCT

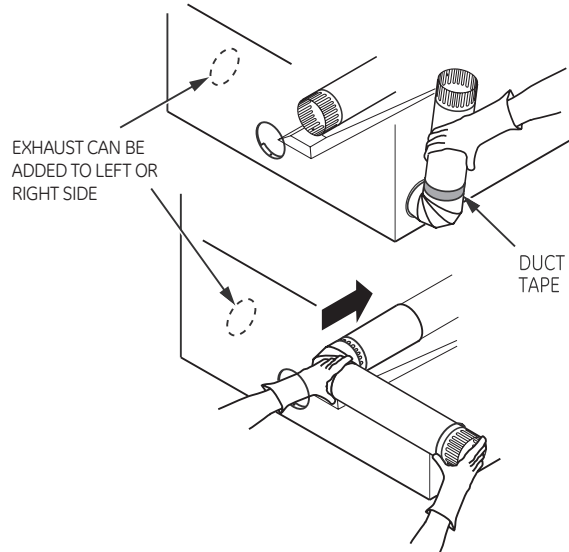


Reconnect the cut portion (A) of the duct to the blower housing. Make sure that the fixing hole is aligned with the tab in the base. Use the screw saved previously to secure the duct in place through the tab on the appliance base.

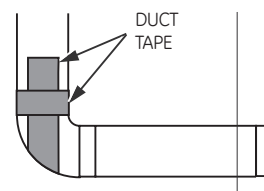
ADDING ELBOW AND DUCT FOR EXHAUST TO RIGHT SIDE OF CABINET

- Preassemble 10 cm (4") elbow with 10 cm (4") duct. Wrap duct tape around joint.
- Insert duct assembly, elbow first, through the side opening and connect the elbow to the dryer internal duct.

CAUTION: Be sure not to pull or damage the electrical wires inside the dryer when inserting the duct.



- Apply duct tape as shown on the joint between the dryer internal duct and the elbow.

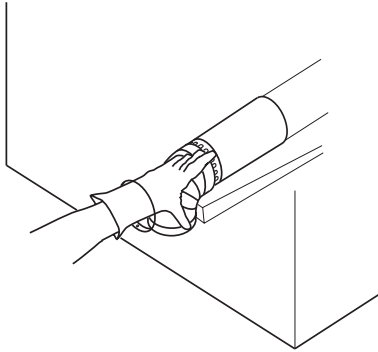


CAUTION: Internal duct joints must be secured with tape, otherwise they may separate and cause a safety hazard.

Installation Instructions / Gas Dryer

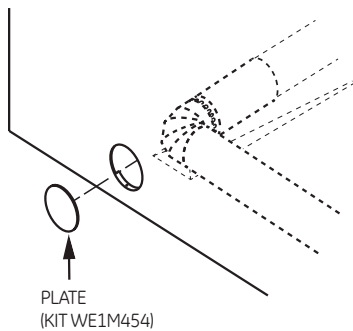
ADDING ELBOW FOR EXHAUST THROUGH BOTTOM OF CABINET

- Insert the elbow through the rear opening and connect it to the dryer internal duct.
- Apply duct tape on the joint between the dryer internal duct and elbow, as shown on page 7.



CAUTION:
Internal duct joints must be secured with tape, otherwise they may separate and cause a safety hazard.

ADDING COVER PLATE TO REAR OF CABINET



Connect standard metal elbows and ducts to complete the exhaust system. Cover back opening with a plate (Kit WE1M454) available from your local service provider. Place dryer in final location.

⚠ WARNING - NEVER LEAVE THE BACK OPENING WITHOUT THE PLATE. (Kit WE1M454)

13 RESIDENTIAL GARAGE INSTALLATION

Dryers installed in residential garages must be elevated 18 inches (46 cm) above the floor.

14 SERVICING

⚠ WARNING - TO DISCONNECTING WHEN SERVICING CONTROLS. WIRING ERRORS CAN CAUSE IMPROPER AND DANGEROUS OPERATION AFTER SERVICING/INSTALLATION.

For servicing phone numbers for replacement parts, and other information, refer to Owner's Manual or visit our Web site.

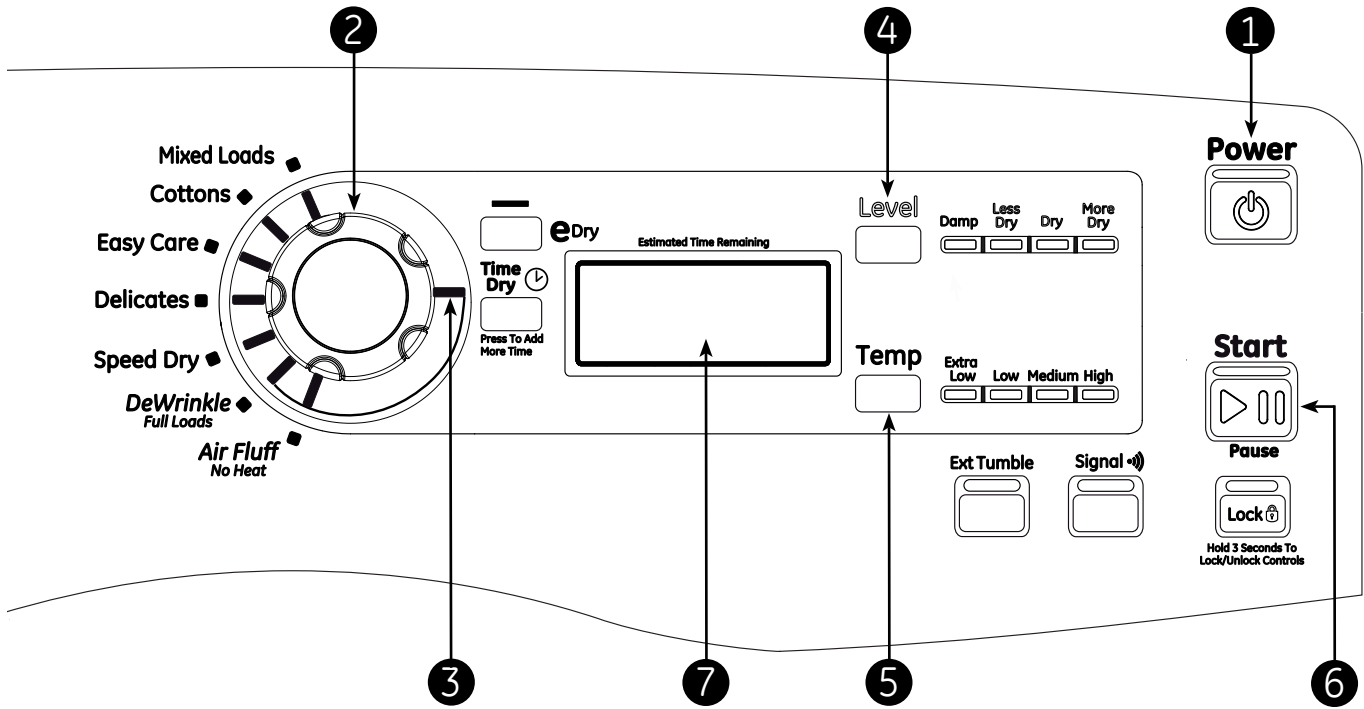
About the dryer control panel.

⚠ WARNING!

To reduce the risk of fire, electric shock, or injury to persons, read the **IMPORTANT SAFETY INSTRUCTIONS** before operating this appliance.

Throughout this manual, features and appearance may vary from your model.

You can locate your model number at the top inside of the door opening.



1 Power

Press to “wake up” the display. If the display is active, press to put the dryer in the standby mode.

NOTE: Pressing **Power** does not disconnect the appliance from the power supply.

2 Dry Cycles

The dry cycle controls the length and tumble speed of the drying process. The chart below will help you match the dry setting with the loads.

Sensor Cycles	Description
Mixed Loads	For loads consisting of cottons and poly-blends.
Cottons	For cottons and most linens. NOTE: Energy star® models are tested on Cottons whit default settigs.
Delicates	For lingerie and special-care fabrics
Speed Dry	For small loads that are needed in a hurry, such as sports or school uniforms. Can also be used if the previous cycle left some items damp, such as collars or waistbands.
DeWrinkle	Provides 20 minutes of drying to assist with dewrinkling items that are dry or slightly damp. This cycle is not recommended for delicate fabrics.

Timed Dry Cycles	Description
Air Fluff/No Heat	Provides 10 minutes of tumbling time without heat.

3 Time Dry

Use to set your own dry time. **Time Dry** is also recommended for small loads

To use Time Dry:

1. Turn dry cycle dial to **Time Dry**.
2. Increase the drying time by pressing the **Time Dry** button.

Note: This button only increases the time. When max time is reached, pressing the button again will reset the counter to the lowest setting.

3. Select the **Temp.**
4. Close the door.
5. Press **Start**.

4 Sensor Dry "Level"

The sensor continuously monitors the amount of moisture in the load. When the moisture in your clothes reaches your selected dry level, the dryer will stop.

Note: Sensor dry "Level" only works for *Mixed Loads, Cottons, Bulky Bedding, Easy Care, Delicates* and *Speed Dry*.

5 Dry "Temp"

You can change the temperature of your dry cycle.

High	For regular to heavy cottons.
Medium	For synthetics, blends and items labeled permanent press.
Low	For delicates, synthetics and items labeled <i>Tumble Dry Low</i> .
Extra Low	For lingerie and special-care fabrics.

6 Start

Press to start a dry cycle. If the dryer is running, press it once and it will pause the dryer. Press it again to resume the dry cycle.

7 "CLEAN LINT FILTER" (message)

(This message represents only a reminder and does **not** always appear when filter needs cleaning. The filter should be cleaned after every drying cycle is complete.)

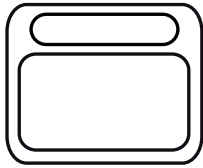
This message will disappear after the **Start** button is pressed. Even though you may have already cleaned the filter (before or after the **Power** button has been pressed), the **"CLEAN LINT FILTER"** message will still be displayed until the **Start** button is activated.

About cycle options.

NOTE: Not all features are available on all dryer models.

www.GEAppliances.ca

Ext Tumble



Extended Tumble

Minimizes wrinkles by adding approximately 60 minutes of no-heat tumbling after clothes are dry. The beeper will sound every two minutes as a reminder to remove the clothes. The **ESTIMATED TIME REMAINING** display will show **0:00**.

The extended tumble time does not get added to the cycle time on the display.

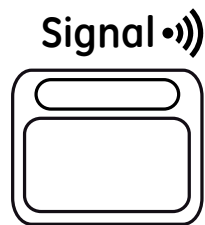


eDRY

Reduces the total energy consumption of specific dryer cycles by adjusting certain heat settings.

NOTE: Cycle times will change when **e-Dry** is selected. The **eDry** option will default to on for **Cottons**. For optimal energy savings, turn **eDry** on. For optimal drying times, turn **eDry** off. Energy savings will vary across loads and cycles.

This cycle can be used with **Mixed Loads, Cottons, Delicates** and **Speed Dry**. When the eDry button is pressed, cycle settings change to reduce the total energy consumption of the selected sensor cycle.



Signal

Alerts you that the cycle is complete. The beeper will continue to sound every minute for the next 5 minutes, until the clothes have been removed. The clothes should be removed when the beeper goes off so wrinkles don't set in.

Press **Signal** to select low, medium or high volume, or to turn the beeper off.

About cycle options. *NOTE:* Not all features are available on all dryer models.



Hold 3 Seconds To
Lock/Unlock Controls

Lock

You can lock the controls to prevent any selections from being made. You can also lock the controls after you have started a cycle.

Children cannot accidentally start the dryer by touching pads with this option selected.

To lock the dryer, press and hold the lock icon for 3 seconds. To unlock the dryer, press and hold the lock icon for 3 seconds.

The Lock icon next to the timer will light up when the controls are locked.



Estimated Time Remaining

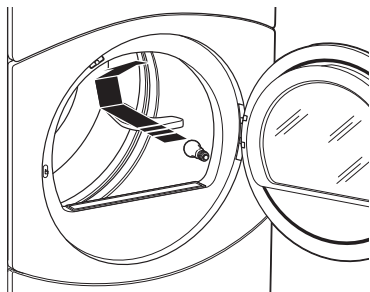
Displays the approximate time remaining until the end of the cycle.

As the cycle begins, you will see an initial approximate total cycle time in the display. Then lights will “race” in the display. This means the dryer is continuously monitoring

the amount of moisture in the load.

The lights will continue until the dryer senses a low level of moisture in the load. At that point, the dryer will calculate and display the approximate time remaining.

About dryer features.



Drum Lamp

The drum lamp comes on automatically when the door is opened.

Before replacing the light bulb, be sure to unplug the dryer power cord or disconnect the dryer at the household distribution panel by removing the fuse or switching off the circuit breaker. Reach above dryer opening from inside the drum. Remove the bulb and replace with the same size bulb.

IMPORTANT NOTES:

- Read the instructions all the way through before starting.
- Handle parts carefully to avoid scratching paint.
- Set screws down by their related parts to avoid using them in the wrong places.
- Provide a non-scratching work surface for the door.
- Normal completion time to reverse the door swing is 30–60 minutes.

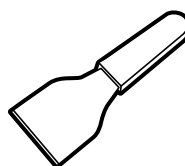
IMPORTANT: Once you begin, do not move the cabinet until door-swing reversal is completed.

These instructions are for changing the hinges from the right side to the left side—if you ever want to switch them back to the right side, follow these same instructions and reverse all references to the left and right.

TOOLS YOU WILL NEED

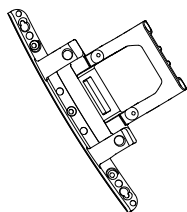


Phillips Head Screwdriver

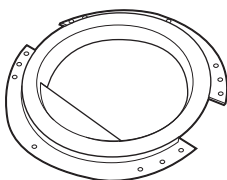


Putty Knife
or Thin-Blade
Screwdriver

DOOR PARTS



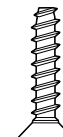
Hinge Assembly



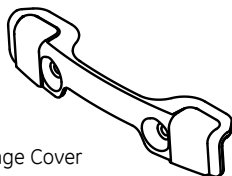
Plastic Cover



5 - # 8 Screws
(door asm and front panel)



8 - # 10 Screws
(inner door, outer ring & hinge cover)



Hinge Cover



5 - Beauty Buttons

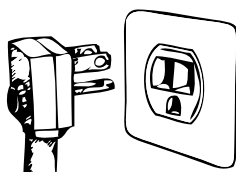


4 - # 8 Screws
(strike plate)



4 - # 8 Machine Screws
(inner door & hinge)

STEP-BY-STEP INSTRUCTIONS

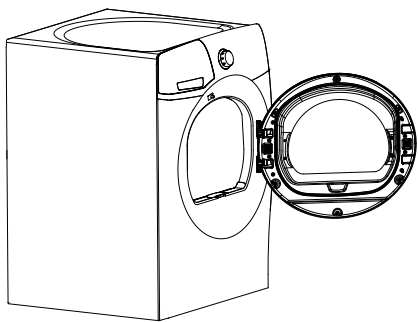


Before You Start

1. Unplug the dryer from its electrical outlet.

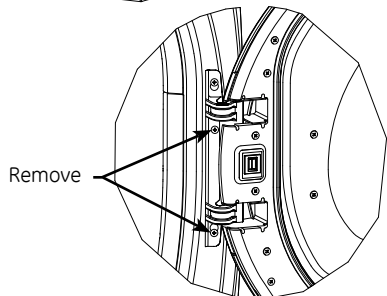
Reversing the door swing.

STEP-BY-STEP INSTRUCTIONS (cont.)

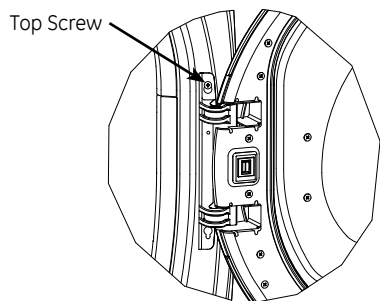


Remove Door Assembly

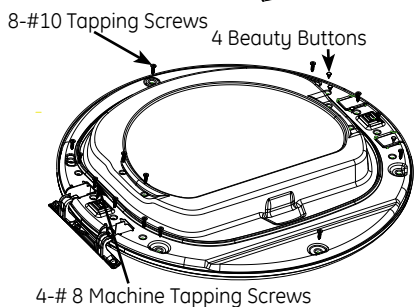
2. Open the door to approximately 130 degrees.



3. Remove the 4 screws starting from the bottom to the top. Make sure the door is supported while removing the screws.



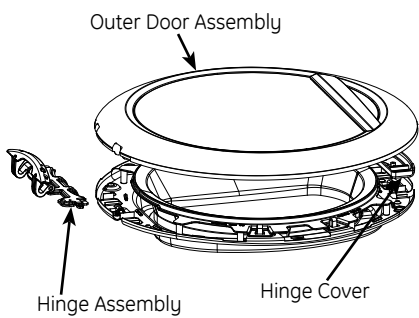
4. Loosen the top screw as shown. Unhook the door by lifting and pulling.



5. Place the door on a soft protected flat surface so the inner door faces upward (door resting on handle side). Remove the 8 tapping screws located around the perimeter of the door outlining the gasket. Remove the 4 machine screws.

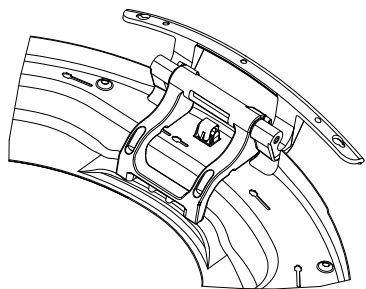
Remove Hinge and Cover

IMPORTANT: Note the location of the hinge (left or right) before removing.



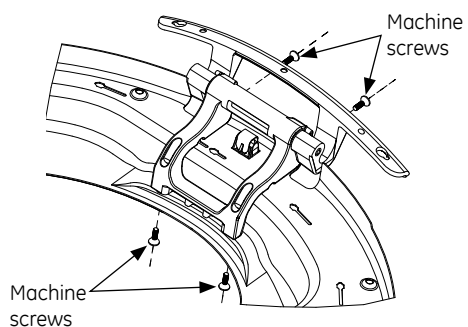
6. With the screws removed, turn the door over and separate the outer door assembly and hinge cover of the door from the door frame and set aside.

STEP-BY-STEP INSTRUCTIONS (cont.)

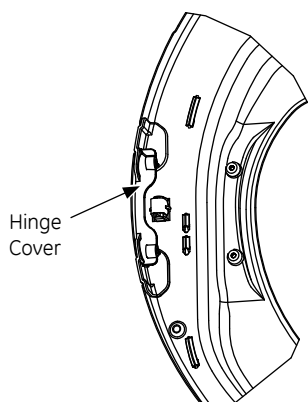


Reinstall Hinge Assembly

7. Install the hinge assembly in the opposite side of the door as shown. Push the hinge assembly in place until the hinge holes align with the door holes.

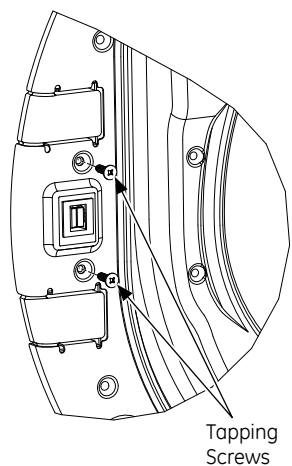


8. Hold the hinge and door on their side with one hand and fasten the 4 machine screws as shown.



Reinstall Hinge Cover

9. Insert the hinge cover. Align the hinge cover holes with the holes in the door.

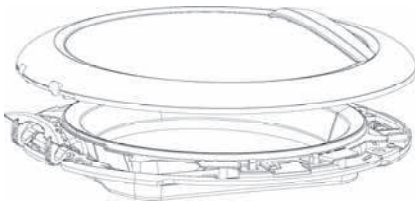


10. Secure the hinge cover with 2 tapping screws.

Reversing the door swing.

STEP-BY-STEP INSTRUCTIONS (cont.)

Outer Door



Inner Door



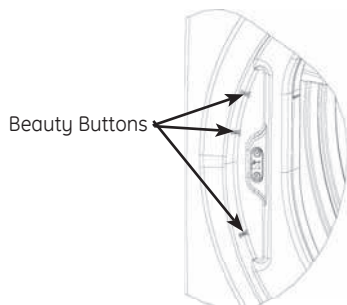
Reassemble Door Assembly

IMPORTANT: Make sure there is no dirt or any other foreign material in between the window panes.

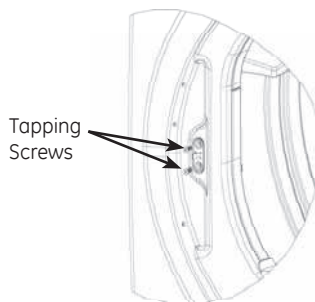
11. Place the plastic outer door onto the inner door. Make sure that the handle part of the outer door is opposite the hinge as shown.

12. Turn the door over and fasten the outer door to the inner door using the 6 tapping screws.

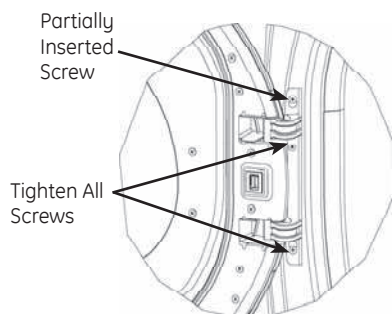
Move Strike Bracket



13. Using a putty knife or any other flat tool, remove the 5 beauty buttons located on the dryer where the door will be installed and install them on the opposite side.



14. Switch the strike bracket and its cover to the opposite side by removing the screws. Reinstall both on the opposite side.



Reinstall Door Assembly

15. The door is now ready to be installed on the dryer. To ease this step, the hinge has keyholes that allow a partially fastened screw to be used as a hook.

Partially fasten a screw to the uppermost screw hole. Hook the door on the partially fastened screw.

Fasten the hinge by installing the other 4 screws and tightening the partially fastened screw above.

Always follow the fabric manufacturer's care label when laundering.



Fabric Care Labels

Below are fabric care label "symbols" that affect the clothing you will be laundering.

WASH LABELS

Machine wash cycle						
	Normal	Permanent Press/ wrinkle resistant	Gentle/ delicate	Hand wash	Do not wash	Do not wring
Front load target water temperature	Category		Target Water Temperature		Automatic Temperature Control	
	Tap Cold		Inlet Water Temperature		Not used	
	Cold		27°C/80°F		Used	
	Warm		40°C/105°F		Used	
	Hot		50°C/120°F		Used	
Sanitize		70°C/160°F		Used		

DRY LABELS

Tumble dry							
	Dry	Normal	Permanent Press/ wrinkle resistant	Gentle/ delicate	Do not tumble dry	Do not dry (used with do not wash)	
Heat setting							
	High	Medium	Low	No heat/air			
	Special instructions						
		Line dry/ hang to dry	Drip dry	Dry flat	In the shade		

BLEACH LABELS

Bleach symbols			
	Any bleach (when needed)	Only non-chlorine bleach (when needed)	Do not bleach



Sorting and Loading Hints

As a general rule, if clothes are sorted properly for the washer, they are sorted properly for the dryer. Try also to sort items according to size. For example, do not dry a sheet with socks or other small items.

Do not add fabric softener sheets once the load has become warm. They may cause fabric softener stains. Bounce® Fabric Conditioner Dryer Sheets have been approved for use in all GE Dryers when used in accordance with the manufacturer's instructions.

Do not overload. This wastes energy and causes wrinkling.

Do not dry the following items: fiberglass items, woolens, rubber-coated items, plastics, items with plastic trim and foam-filled items.

Loading and using the dryer.

Always follow the fabric manufacturer's care label when laundering.

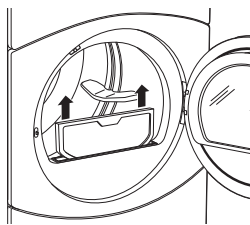


Care and Cleaning of the Dryer

The Exterior: Wipe or dust any spills or washing compounds with a damp cloth. Dryer control panel and finishes may be damaged by some laundry pretreatment soil and stain remover products. Apply these products away from the dryer. The fabric may then be washed and dried normally. Damage to your dryer caused by these products is not covered by your warranty.

The Lint Filter: Clean the lint filter before each use.

Pull out the lint filter. Moisten your fingers and remove the captured lint. Once clean, slide the filter back into position. Have a qualified technician vacuum the lint from the dryer once a year.



NEVER OPERATE THE DRYER WITHOUT ITS FILTER IN PLACE.

Stainless Steel: To clean stainless steel surfaces use a damp cloth with a mild, non-abrasive cleaner suitable for stainless steel surfaces. Remove the cleaner residue and then dry with a clean cloth.

The stainless steel used to make the dryer drum provides the highest reliability available in a GE dryer. If the dryer drum should be scratched or dented during normal use, the drum will not rust or corrode. These surface blemishes will not affect the function or durability of the drum.

Dryer Interior and Duct: The interior of the appliance and exhaust duct should be cleaned once a year by qualified service personnel.

The Exhaust Duct: Inspect and clean the exhaust ducting at least once a year to prevent clogging. A partially clogged exhaust can lengthen the drying time.

Follow these steps:

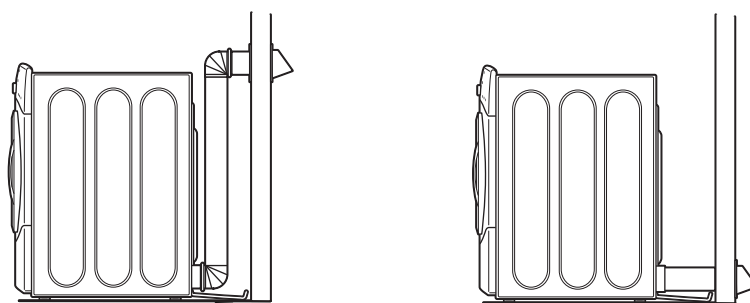
- 1 Turn off electrical supply by disconnecting the plug from the wall socket.
- 2 Disconnect the duct from the dryer.
- 3 Vacuum the duct with the hose attachment and reconnect the duct.

The Exhaust Hood: Check with a mirror that the inside flaps of the hood move freely when operating. Make sure that there is no wildlife (birds, insects, etc.) nesting inside the duct or hood.

For the best drying performance, the dryer needs to be properly vented. **The dryer will use more energy and run longer if it is not vented to the below specifications. Carefully follow the details on Exhausting in the Installation Instructions.**

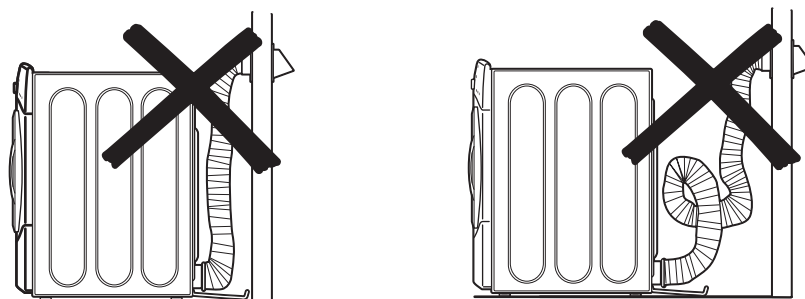
- Use only rigid metal 4" diameter ductwork inside the dryer cabinet and use only UL approved transition ducting between the dryer and the home duct.
- Do not use plastic or other combustible ductwork.
- Use the shortest length possible.
- Do not crush, kink or collapse the duct.
- Avoid resting the duct on sharp objects.
- **Venting must conform to local building codes.**

Correct Venting



Vent protector in place (on some models)

Incorrect Venting



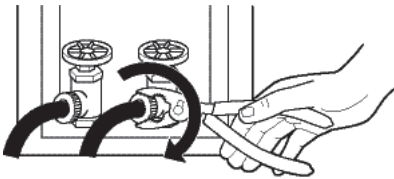
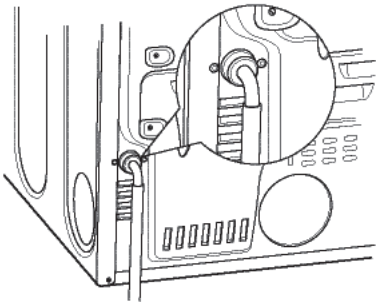
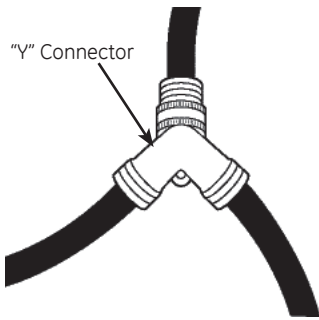
Connecting Inlet Hoses.

To produce steam, the dryer must connect to the cold water supply. Since the washer must also connect to the cold water, a “Y” connector is inserted to allow both inlet hoses to make that connection at the same time.

NOTE: Use the new inlet hoses provided; never use old hoses.

Connect to Cold Water Supply (on some models)

1. Turn the cold water faucet off. Remove the washer inlet hose from the washer fill valve connector (cold).
2. Ensure the rubber flat washer is in place and screw the female coupling of the short hose onto the washer fill valve connector. Tighten by hand until firmly seated.
3. Attach the female end of the “Y” connector to the male coupling of the short hose. Ensure the rubber flat washer is in place. Tighten by hand until firmly seated.
4. Insert the filter screen in the coupling of the washer’s inlet hose. If a rubber flat washer is already in place remove it before installing the filter screen. Attach this coupling to one male end of the “Y” connector. Tighten by hand until firmly seated.
5. Ensure the rubber flat washer is in place and attach the dryer’s long inlet hose to the other male end of the “Y” connector. Tighten by hand until firmly seated.
6. Ensure the rubber flat washer is in place and attach the other end of the dryer’s long inlet hose to the fill valve connector at the bottom of the dryer back panel. Tighten by hand until firmly seated.
7. Using pliers, tighten all the couplings with an additional two-thirds turn.
NOTE: Do not overtighten. Damage to the couplings may result.
8. Turn the water faucet on.
9. Check for leaks around the “Y” connector, faucet and hose couplings.



BEFORE YOU BEGIN

Read these instructions completely and carefully.

- **IMPORTANT:** Save these instructions for local electrical inspector's use.
- **IMPORTANT:** Observe all governing codes and ordinances.
- **Note to Installer** – Be sure to leave these instructions with the Consumer.
- **Note to Consumer** – Keep these instructions for future reference.
- Installation **must** be performed by a qualified installer.
- Proper installation is the responsibility of the installer.

FOR YOUR SAFETY

⚠ WARNING!

- Electric Shock Hazard. Disconnect power before installing. Failure to do so could result in serious injury or death.
- **Potential Personal Injury. When stacking the dryer, more than two people are recommended to lift the dryer into position because of its weight and size. Failure to do so could result in personal injury or death.**
- When stacking the dryer, avoid tipping and rupture of utility services. Dryer must be securely attached to the washer. DO NOT place the washer on top of the dryer. Failure to do so could result in personal injury/death or property damage.
- Mobile Home or Manufactured Home Installation – Stacking of a gas dryer is not permitted in a mobile home or manufactured home.

MINIMUM CLEARANCE OTHER THAN ALCOVE OR CLOSET INSTALLATION

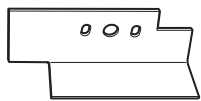
Minimum clearance to combustible surfaces and for air opening are: 0" both sides, 1" front, 1" rear and 1" top. Consideration must be given to provide adequate clearance for installation and service.

ALCOVE OR CLOSET INSTALLATION

- If your dryer is approved for installation in an alcove or closet, it will be stated on a label on the dryer back.
- The dryer **MUST** be vented to the outdoors. Refer to dryer Installation Instructions for details.
- Minimum clearance between dryer cabinet and adjacent walls or other surfaces is:
 - 0" either side
 - 1" front
 - 1" rear
 - 1" top
- Closet doors must be louvered or otherwise ventilated and must contain a minimum of 60 square inches of open area equally distributed. If the closet contains both a washer and a dryer, doors must contain a minimum of 120 square inches of open area equally distributed.

Stacking.

KIT CONTENTS (optional kit GE FL STACK)



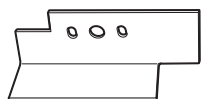
Right Hand Bracket



4 Rubber Pads



4 #12 x 1" Screws



Left Hand Bracket

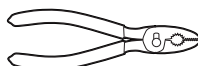


4 #8 x 1/2" Screws

TOOLS YOU WILL NEED



Phillips Screwdriver



Pliers



Gloves



Open-Ended Wrench



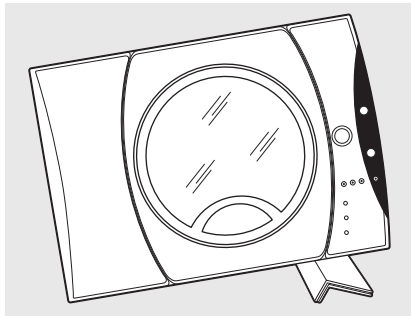
Level

INSTALLATION PREPARATION

Remove the packaging.

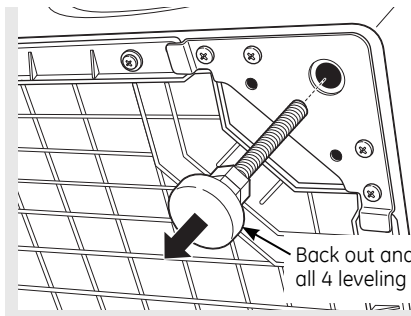
Flatten the product carton to use as a pad to lay the dryer down on its side. Continue using the carton to protect the finished floor in front of the installation location.

INSTALLING THE STACK BRACKET KIT

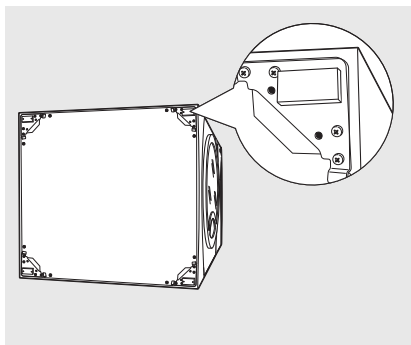


1. Remove the Dryer Leveling Legs

- A. Carefully lay the dryer on its side. Use the packing material so you don't scratch the finish on the dryer.
- B. Use an open-end wrench or pliers to remove the dryer leveling legs.

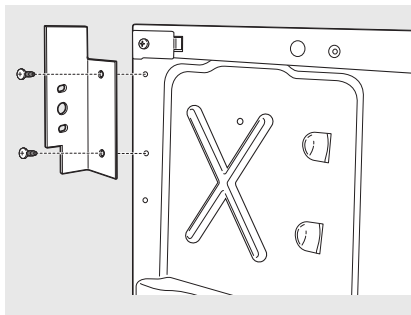


Back out and remove all 4 leveling legs



2. Install Rubber Pads to Dryer Base

Locate the 4 rubber pads in the parts package. Remove the adhesive backing and firmly place over on the bracket where you removed the leveling legs.



3. Install Bracket to Dryer

- A. Align the holes in the left bracket with the holes in the bottom left corner of the dryer. Use a Phillips screwdriver to install the 2 #12 x 1" tapping screws.
- B. Repeat the above step with the right bracket on the bottom right corner of the dryer.
- C. Set the dryer upright.

a piece of packing material so the brackets that are attached to the bottom of the dryer do not damage the floor.

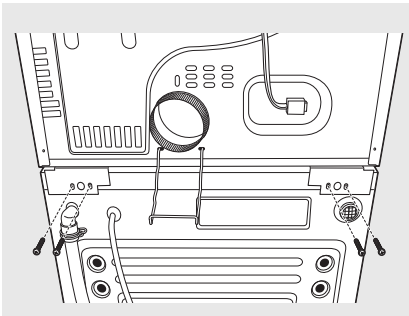
NOTE: Make sure to set the dryer on

Stacking.

INSTALLING THE STACK BRACKET KIT (cont.)

4. Prepare the Washer and Dryer

- A. Place the washer in the approximate location.
 - B. Make sure the washer is level. Refer to washer Installation Instructions for details.
 - C. Reverse dryer door swing if desired. See dryer Installation Instructions for details.
- NOTE:** The washer door swing is not reversible.

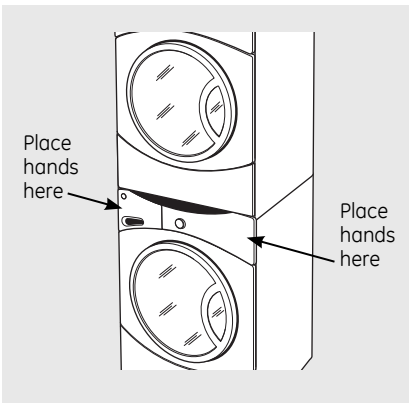


5. Install Dryer and Bracket on Washer

- A. Lift the dryer on top of the washer. Be careful not to scratch the top of the washer with the brackets. Protect the washer control panel with cardboard or other protection. Be sure to lift the dryer high enough to clear the washer control panel.
- B. Align the holes in the bracket with the holes in the back of the washer. Using a Phillips screwdriver, attach the 2 #8 x 1/2" tapping screws. Repeat on both sides of the washer.

⚠ WARNING!

Potential Personal Injury. More than two people are recommended to lift the dryer into position because of its weight and size. Failure to do so could result in personal injury or death.



6. Finalize the Installation

- A. Refer to the washer Installation Instructions to complete the washer installation.
- B. Refer to the dryer Installation Instructions to complete the dryer installation.
- C. Carefully slide or walk the stacked washer and dryer into place. Use felt pads or other sliding device to assist moving and to protect flooring.

⚠ WARNING!

Potential Personal Injury. Do not push on the dryer once installed to top of the washer. Pushing on the dryer may result in pinched fingers.



Troubleshooting Tips

Save time and money! Review the charts on the following pages, or visit www.GEAppliances.ca. You may not need to call for service.

PROBLEM	Possible Causes	What To Do
Dryer shakes or makes noise	Some shaking/noise is normal. Dryer may be sitting unevenly	<ul style="list-style-type: none"> • Move dryer to an even floor space, or adjust leveling legs as necessary until even.
Clothes take too long to dry	Improper or obstructed ducting	<ul style="list-style-type: none"> • Check the Installation Instructions to make sure the dryer venting is correct. • Make sure ducting is clean, free of kinks and unobstructed. • Check to see if outside wall damper operates easily.
	Improper sorting	<ul style="list-style-type: none"> • Separate heavy items from lightweight items (generally, a well-sorted washer load is a well-sorted dryer load).
	Large loads of heavy fabrics (like beach towels)	<ul style="list-style-type: none"> • Large, heavy fabrics contain more moisture and take longer to dry. Separate large, heavy fabrics into smaller loads to speed drying time.
	Controls improperly set	<ul style="list-style-type: none"> • Match control settings to the load you are drying.
	Lint filter is full	<ul style="list-style-type: none"> • Clean lint filter before every load.
	Blown fuses or tripped circuit breaker	<ul style="list-style-type: none"> • Replace fuses or reset circuit breakers. Since most dryers use 2 fuses/breakers, make sure both are operating.
	Overloading/combining loads	<ul style="list-style-type: none"> • Do not put more than one washer load in the dryer at a time.
	Underloading	<ul style="list-style-type: none"> • If you are drying only one or two items, add a few items to ensure proper tumbling.
The DRY dryness level was chosen but load is still damp	Load consists of a mixture of heavy and light fabrics	<ul style="list-style-type: none"> • When combining heavy and light fabrics in a load, choose More Dry if you are using a sensor cycle.
	Exhaust system is blocked	<ul style="list-style-type: none"> • Inspect and clean exhaust system.
Control pads not responding	Controls accidentally put in service mode	<ul style="list-style-type: none"> • Press Power.
	Controls accidentally put in lock mode	<ul style="list-style-type: none"> • Hold the Lock button for 3 seconds to unlock the dryer.
	Controls performed an incorrect operation	<ul style="list-style-type: none"> • Reset the in-house breaker.
Dryer doesn't start	Control panel is "asleep"	<ul style="list-style-type: none"> • This is normal. Press Power to activate the control panel.
	Dryer is unplugged	<ul style="list-style-type: none"> • Make sure the dryer plug is pushed completely into the outlet.
	Fuse is blown/circuit breaker is tripped	<ul style="list-style-type: none"> • Check the building's fuse/circuit breaker box and replace fuse or reset breaker. NOTE: Electric dryers use two fuses or breakers.
	Dryer was accidentally paused when starting Delay Dry	<ul style="list-style-type: none"> • If the light on the Delay Dry pad is flashing, the dryer is paused. Press Start to restart the countdown.
No numbers displayed during cycle, only lights	Dryer is continuously monitoring the amount of moisture in the clothes	<ul style="list-style-type: none"> • This is normal. When the dryer senses a low level of moisture in the load, the dryer will display the dry time remaining.

Before you call for service...

PROBLEM	Possible Causes	What To Do
<i>Time Remaining jumped to a lower number</i>	<i>The estimated time may change when a smaller load than usual is drying</i>	<ul style="list-style-type: none"> This is normal.
<i>Cannot make a selection and the dryer beeps twice</i>	<i>The DRYNESS Level, TEMP or OPTION that you are trying to select is incompatible with the chosen dry cycle</i>	<ul style="list-style-type: none"> This is normal.
<i>Dryer is running but 0:00 is displayed in Time Remaining</i>	<i>The Extended Tumble option was chosen</i>	<ul style="list-style-type: none"> This is normal. During extended tumble, the time remaining is not displayed. The Extended Tumble option lasts approximately 60 minutes.
<i>Clean Lint Filter (message)</i>	<i>Power button was activated</i>	<ul style="list-style-type: none"> Press Start to begin a dry cycle and the message will disappear.
<i>Dryer doesn't heat</i>	<i>Fuse is blown/circuit breaker is tripped; the dryer may tumble but not heat</i>	<ul style="list-style-type: none"> Check the building's fuse/circuit breaker box and replace both fuses or reset both breakers. Your dryer may tumble if only one fuse is blown or one breaker tripped.
	<i>Gas service is off</i>	<ul style="list-style-type: none"> Make sure gas shutoff at dryer and main shutoff are fully open.
	<i>LP gas supply tank is empty or there has been a utility interruption of natural gas (gas models)</i>	<ul style="list-style-type: none"> Refill or replace tank. Dryer should heat when utility service is restored.
<i>Inconsistent drying times</i>	<i>Type of heat</i>	<ul style="list-style-type: none"> Drying time will vary according to the type of heat used. If you recently changed from an electric to a gas (natural or LP) dryer, or vice versa, the drying time could be different.
	<i>Type of load and drying conditions</i>	<ul style="list-style-type: none"> The load size, types of fabric, wetness of clothes and the length and condition of the exhaust system will affect drying times.
<i>Glow at the rear of the drum</i>	<i>Heaters behind the drum</i>	<ul style="list-style-type: none"> This is normal. Under certain drying conditions and room ambient lighting, the glow of the heaters may be visible at the rear of the drum.
<i>Clothes are still wet and dryer shut off after a short time</i>	<i>The door was opened mid-cycle. The load was then removed from the dryer and a new load put in without selecting a new cycle</i>	<ul style="list-style-type: none"> A dry cycle must be reselected each time a new load is put in.
	<i>Small load</i>	<ul style="list-style-type: none"> When drying 3 items or less, choose Speed Dry or Tiem Dry.
	<i>Load was already dry except for collars and waistbands</i>	<ul style="list-style-type: none"> Choose Speed Dry or Time Dry to dry damp collars and waistbands. In the future, when drying a load with collars and waistbands, choose More Dry.
	<i>Dryer is not level</i>	<ul style="list-style-type: none"> Move dryer to an even floor space or adjust leveling legs as necessary until even.
<i>Clothes are wrinkled</i>	<i>Overdrying</i>	<ul style="list-style-type: none"> Select a shorter drying time. Remove items while they still hold a slight amount of moisture. Select a Less Dry or Damp setting.
	<i>Letting items sit in dryer after cycle ends</i>	<ul style="list-style-type: none"> Remove items when cycle ends and fold or hang immediately, or use the Extended Tumble option.
	<i>Overloading</i>	<ul style="list-style-type: none"> Separate large loads into smaller ones.

PROBLEM	Possible Causes	What To Do
Clothes shrink	Some fabrics will naturally shrink when washed. Others can be safely washed, but will shrink in the dryer	<ul style="list-style-type: none"> • To avoid shrinkage, follow garment care labels exactly. • Some items may be pressed back into shape after drying. • If you are concerned about shrinkage in a particular item, do not machine wash or tumble dry it.
Greasy spots on clothes	Improper use of fabric softener	<ul style="list-style-type: none"> • Follow directions on fabric softener package.
	Drying dirty items with clean ones	<ul style="list-style-type: none"> • Use your dryer to dry only clean items. Dirty items can stain clean items and the dryer.
	Clothes were not completely clean	<ul style="list-style-type: none"> • Sometimes stains which cannot be seen when the clothes are wet appear after drying. Use proper washing procedures before drying.
Lint on clothes	Lint filter is full	<ul style="list-style-type: none"> • Clean lint screen before each load.
	Improper sorting	<ul style="list-style-type: none"> • Sort lint producers (like chenille) from lint collectors (like corduroy).
	Static electricity can attract lint	<ul style="list-style-type: none"> • See suggestions in this section under STATIC.
	Overloading	<ul style="list-style-type: none"> • Separate large loads into smaller ones.
	Paper, tissue, etc., left in pockets	<ul style="list-style-type: none"> • Empty all pockets before laundering clothes.
Static occurs	No fabric softener was used	<ul style="list-style-type: none"> • Try a fabric softener. • Bounce® Fabric Conditioner Dryer Sheets have been approved for use in all GE Dryers when used in accordance with the manufacturer's instructions.
	Overdrying	<ul style="list-style-type: none"> • Try a fabric softener. • Adjust setting to Less Dry or Damp.
	Synthetics, permanent press and blends can cause static	<ul style="list-style-type: none"> • Try a fabric softener.
Collars and waistbands still wet at end of cycle	The dryness monitor senses that the body of the clothes is dry	<ul style="list-style-type: none"> • Choose Speed Dry or Time Dry to dry damp collars and waistbands. In the future, when drying a load with collars and waistbands, choose More Dry.
Slight variation in metallic color	This is normal	<ul style="list-style-type: none"> • Due to the metallic properties of paint used for this unique product, slight variations of color may occur due to viewing angles and lighting conditions.
Door is too foggy to see clothes during a steam cycle	Steam condenses on inner door	<ul style="list-style-type: none"> • This is normal.
Water seen on inside of door and top of lint filter when opening door after steam cycle	Steam condenses on these surfaces	<ul style="list-style-type: none"> • This is normal.
Small areas on clothes are damp after steam cycle	Steam condenses on inner drum	<ul style="list-style-type: none"> • If using the Steam DeWrinkle cycle, manually reduce the cycle time.

Before you call for service...

PROBLEM	Possible Causes	What To Do
<i>Small amount of water on floor in front of dryer</i>	<i>Inadequate load size for steam cycle selected, excess steam condenses inside cabinet and leaks out</i>	<ul style="list-style-type: none">• If using the Steam DeWrinkle cycle, manually reduce cycle time.
<i>Water on floor in back of dryer</i>	<i>Loose water hose connection to valve</i>	<ul style="list-style-type: none">• Tighten connection.
	<i>Hose missing rubber washer at connection with valve</i>	<ul style="list-style-type: none">• Install rubber washer provided with hose.
<i>Water drips from door when opened after a Steam Cycle</i>	<i>Steam condenses on inner door</i>	<ul style="list-style-type: none">• This is normal.
<i>Cannot see steam at beginning of cycle</i>	<i>Steam released at different time in cycle</i>	<ul style="list-style-type: none">• This is normal.
<i>Cannot see steam at any time during the cycle</i>	<i>The steam nozzle might be clogged with debris from your water supply</i>	<ul style="list-style-type: none">• Call 800.GE.CARES to order nozzle replacement kit WE25M71 or to request a service technician to replace this for you.
<i>Garments still wrinkled after steam cycle</i>	<i>Too many garments</i>	<ul style="list-style-type: none">• Load fewer garments; manually increase time.
<i>Dryer continues to tumble after display says 0:00</i>	<i>Extended Tumble option was selected</i>	<ul style="list-style-type: none">• Ensure Extended Tumble option is not selected.

GE Dryer Warranty.



All warranty service provided by our Factory Service Centers, or an authorized Customer Care® technician. To schedule service, on-line, visit us at GEAppliances.com, or call 800.GE.CARES (800.432.2737).

Please have serial number and model number available when calling for service.

Staple your receipt here.
Proof of the original purchase date is needed to obtain service under the warranty.

For The Period Of: We Will Replace:

One Year

From the date of the original purchase

Any part of the dryer which fails due to a defect in materials or workmanship. During this **limited one-year warranty**, GE will also provide, **free of charge**, all labor and related service costs to replace the defective part.

What Is Not Covered:

- Service trips to your home to teach you how to use the product.
- Improper installation, delivery or maintenance.
- Failure of the product if it is abused, misused or used for other than the intended purpose or used commercially.
- Replacement of house fuses or resetting of circuit breakers.
- Damage to the product caused by accident, fire, floods or acts of God.
- Incidental or consequential damage caused by possible defects with this appliance.
- Damage caused after delivery.
- Product not accessible to provide required service.
- Replacement of the light bulb after its expected useful life.
- Defects or damage due to operation in freezing temperatures.
- Products which are not defective or broken, or which are working as described in the Owner's Manual.

EXCLUSION OF IMPLIED WARRANTIES—Your sole and exclusive remedy is product repair as provided in this Limited Warranty. Any implied warranties, including the implied warranties of merchantability or fitness for a particular purpose, are limited to one year or the shortest period allowed by law.

This warranty is extended to the original purchaser and any succeeding owner for products purchased for home use within the USA. If the product is located in an area where service by a GE Authorized Servicer is not available, you may be responsible for a trip charge or you may be required to bring the product to an Authorized GE Service location for service. In Alaska, the warranty excludes the cost of shipping or service calls to your home.

Some states do not allow the exclusion or limitation of incidental or consequential damages. This warranty gives you specific legal rights, and you may also have other rights which vary from state to state. To know what your legal rights are, consult your local or state consumer affairs office or your state's Attorney General.

In Canada, this warranty is extended to the original purchaser and any succeeding owner for products purchased in Canada for home use within Canada. In-home warranty service will be provided in areas where it is available and deemed reasonable by MC Commercial to provide.

Warrantor: General Electric Company, Louisville, KY 40225

In Canada

Warrantor: MC Commercial, Burlington, ON L7R 5B6

GE Dryer Warranty. *(For customers in Canada)*



All warranty service provided by our Factory Service Centres or an authorized technician.
For service, call 1.800.561.3344.

Please have serial number and model number available when calling for service.

For The Period Of: We Will Replace:

One Year

From the date of the original purchase

Any part of the dryer which fails due to a defect in materials or workmanship. During this **limited one-year warranty**, GE will also provide, **free of charge**, all labor and related service costs to replace the defective part.

What Is Not Covered (in Canada):

- Service trips to your home to teach you how to use the product.
- Improper installation, delivery or maintenance.
- Failure of the product if it is abused, misused or used for other than the intended purpose or used commercially.
- Replacement of the light bulb after its expected useful life.
- Replacement of house fuses or resetting of circuit breakers.
- Damage to the product caused by accident, fire, floods or acts of God.
- Incidental or consequential damage caused by possible defects with this appliance.
- Damage caused after delivery.
- Product not accessible to provide required service.

EXCLUSION OF IMPLIED WARRANTIES—Your sole and exclusive remedy is product repair as provided in this Limited Warranty. Any implied warranties, including the implied warranties of merchantability or fitness for a particular purpose, are limited to one year or the shortest period allowed by law.

This warranty is extended to the original purchaser and any succeeding owner for products purchased in Canada for home use within Canada. In-home warranty service will be provided in areas where it is available and deemed reasonable by Mabe to provide.

WARRANTOR IS NOT RESPONSIBLE FOR CONSEQUENTIAL DAMAGES.

Warrantor: MC COMMERCIAL INC.

Consumer Support.



GE Appliances Website

In the U.S.: www.GEAppliances.com

Have a question or need assistance with your appliance? Try the GE Appliances Website 24 hours a day, any day of the year! For greater convenience and faster service, you can now download Owner's Manuals, order parts or even schedule service on-line. **In Canada: www.GEAppliances.ca.**



Schedule Service

In the U.S.: www.GEAppliances.com

Expert GE repair service is only one step away from your door. Get on-line and schedule your service at your convenience any day of the year! Or call 800.GE.CARES (800.432.2737) during normal business hours.

In Canada, call 1.800.561.3344.



Real Life Design Studio

In the U.S.: www.GEAppliances.com

GE supports the Universal Design concept—products, services and environments that can be used by people of all ages, sizes and capabilities. We recognize the need to design for a wide range of physical and mental abilities and impairments. For details of GE's Universal Design applications, including kitchen design ideas for people with disabilities, check out our Website today. For the hearing impaired, please call 800.TDD.GEAC (800.833.4322).

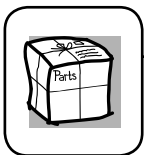
In Canada, contact: Manager, Consumer Relations, Mabe Canada Inc.
Suite 310, 1 Factory Lane
Moncton, N.B. E1C 9M3



Extended Warranties

In the U.S.: www.GEAppliances.com

Purchase a GE extended warranty and learn about special discounts that are available while your warranty is still in effect. You can purchase it on-line anytime, or call 800.626.2224 during normal business hours. GE Consumer Home Services will still be there after your warranty expires. **In Canada, please visit our Website or contact your local extended warranty provider.**



Parts and Accessories

In the U.S.: www.GEAppliances.com

Individuals qualified to service their own appliances can have parts or accessories sent directly to their homes (VISA, MasterCard and Discover cards are accepted). Order on-line today, 24 hours every day or by phone at 800.626.2002 during normal business hours.

Instructions contained in this manual cover procedures to be performed by any user. Other servicing generally should be referred to qualified service personnel. Caution must be exercised, since improper servicing may cause unsafe operation.

Customers **in Canada** should consult the yellow pages for the nearest Mabe service center, or call 1.800.661.1616.



Contact Us

In the U.S.: www.GEAppliances.com

If you are not satisfied with the service you receive from GE, contact us on our Website with all the details including your phone number, or write to:

General Manager, Customer Relations
GE Appliances, Appliance Park
Louisville, KY 40225

In Canada: www.GEAppliances.ca, or write to: Director, Consumer Relations, Mabe Canada Inc.
Suite 310, 1 Factory Lane
Moncton, N.B. E1C 9M3



Register Your Appliance

In the U.S.: www.GEAppliances.com

Register your new appliance on-line—at your convenience! Timely product registration will allow for enhanced communication and prompt service under the terms of your warranty, should the need arise. You may also mail in the pre-printed registration card included in the packing material. **In Canada: www.GEAppliances.ca**

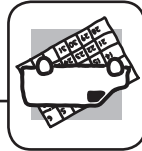
Soutien au consommateur



Vous avez des questions ou vous avez besoin d'aide concernant votre appareil? Consultez le site Web des électroménagers GE accessible 24 heures sur 24, tous les jours de l'année! Pour un service pratique encore plus rapide, vous pouvez maintenant télécharger des manuels, commander des pièces ou même faire une demande de réparation en ligne.

Au Canada : www.electromenagersge.ca.

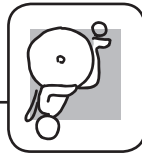
Aux États-Unis : www.GEAppliances.com



Pour bénéficier du service de réparation expert de GE, il suffit de téléphoner. Demandez une réparation en ligne, 24 heures sur 24, tous les jours! C'est pratique! Ou encore téléphonez au 1-800-GE-CARES (432-2737) pendant les heures normales de bureau.

Au Canada, téléphonez au 1-800-561-3344.

Aux États-Unis : www.GEAppliances.com



Studio de conception réaliste

Mabe soutient la conception universelle : produits, services et environnements à la portée de tous, quels que soient leur âge, taille ou capacités mentales et physiques. Nous avons conscience qu'il est nécessaire d'adapter la conception de nos produits à toute la variété de capacités et d'handicaps physiques et mentaux existants. Pour plus de détails sur les applications de conception universelle de GE, dont la conception de cuisines pour les personnes atteintes d'un handicap, consultez notre site Web dès aujourd'hui. Les mainteneurs peuvent téléphoner au 1-800-TDD-GEAC (833-4322).

Au Canada, écrivez à : Manager, Consumer Relations, Mabe Canada Inc.

Suite 310, 1 Factory Lane
Moncton, N.-B. E1C 9M3

Aux États-Unis : www.GEAppliances.com

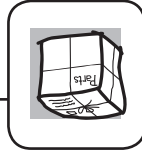


Prolongation de garantie

Procurez-vous une garantie prolongée GE et informez-vous au sujet des rabais spéciaux offerts tout au long de la durée de votre garantie. Vous pouvez vous la procurer en ligne en tout temps ou en téléphonant au 1-800-626-2224 pendant les heures normales de bureau. Les services à domicile GE seront toujours disponibles après expiration de votre garantie. Au

Canada, communiquez avec le fournisseur de la garantie prolongée.

Aux États-Unis : www.GEAppliances.com

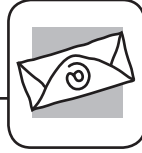


Pièces et accessoires

Les personnes ayant les compétences requises pour réparer elles-mêmes leurs appareils peuvent recevoir directement à la maison des pièces ou accessoires (les cartes VISA, MasterCard et Discover sont acceptées). Commandez en ligne dès aujourd'hui, 24 heures sur 24, ou en téléphonant au 1-800-626-2002 pendant les heures normales de bureau. Les directives stipulées dans le présent manuel comportent des procédures que n'importe quel utilisateur peut effectuer. Les autres types de réparation doivent généralement être confiés à un technicien qualifié. Utilisez de prudence, car une réparation ou un entretien mal effectué peut rendre l'utilisation de l'appareil dangereuse. Les clients au Canada doivent consulter les pages jaunes pour connaître le centre de réparation Mabe le plus proche ou téléphoner au 1-800-661-1616.

Contactez-nous

Aux États-Unis : www.GEAppliances.com



Si vous n'êtes pas satisfait du service après-vente de GE, communiquez avec nous sur notre site Web en fournissant tous les détails et votre numéro de téléphone, ou écrivez à : General Manager, Customer Relations

GE Appliances, Appliance Park
Louisville, KY 40225

Au Canada : www.electromenagersge.ca, ou écrivez à : Director, Consumer Relations, Mabe Canada Inc.

Suite 310, 1 Factory Lane
Moncton, N.-B. E1C 9M3

Aux États-Unis : www.GEAppliances.com



Enregistrez votre nouvel appareil en ligne au moment qui vous convient le mieux! L'enregistrement de votre produit dans les délais prescrits permet une meilleure communication et un service rapide, selon les modalités de votre garantie, si besoin est. Vous pouvez également envoyer par courrier la carte d'enregistrement préimprimée qui se trouve dans l'emballage de votre appareil. Au Canada : www.electromenagersge.ca.

Garant : MC Commercial, Burlington, ON

LE GARANT NE PEUT ÊTRE TENU RESPONSABLE DES DOMMAGES INDIRECTS.

Cette garantie est offerte à l'acheteur initial, ainsi qu'à tout propriétaire subséquent d'un produit acheté au Canada en vue d'une utilisation domestique au Canada. Le service à domicile couvert par la garantie sera fourni dans les régions où il est disponible et où Mabe estime raisonnable de l'offrir.

EXCLUSION DES GARANTIES IMPLICITES : Votre seul et unique recours est de faire réparer le produit dans le cadre de cette garantie limitée. Toute garantie implicite, incluant la garantie de qualité marchande ou d'adaptabilité du produit à un usage particulier, est limitée à un an ou à la période la plus courte autorisée par la loi.

- Toute visite à votre domicile pour vous expliquer le fonctionnement de l'appareil.
- Une installation, une livraison ou un entretien inadéquats.
- Toute détériorité du produit lorsqu'il a été utilisé de façon abusive ou inadéquate, ou employé à toute autre fin que celle pour laquelle il a été conçu, ou utilisé à des fins commerciales.
- Le remplacement des fusibles ou le réenclenchement des disjoncteurs de votre domicile.
- Tout dommage au produit attribuable à un accident, un incendie, une inondation ou une catastrophe naturelle.
- Tout dommage accessoire ou indirect, causé par des défaillances possibles de l'appareil.
- Dommage causé après la livraison.
- Tout produit auquel il n'est pas possible d'accéder pour effectuer les réparations nécessaires.
- Le remplacement de l'ampoule après sa durée de vie normale.
- Les détériorités ou les dommages causés par une utilisation de l'appareil à des températures situées sous le point de congélation.
- Les produits qui ne sont pas défectueux ou brisés, ou qui fonctionnent tel que décrit dans le Manuel de l'utilisateur.

Ce que Mabe ne couvre pas :

Un an
À compter de la date d'achat d'origine

Toute pièce de la sècheuse tombée en panne en raison d'un vice de matériau ou de fabrication.
Au cours de cette **garantie limitée d'un an**, Mabe fournira également, sans frais, toute la main-d'œuvre pour le remplacement à domicile de la pièce défectueuse.

Pour la période de : Mabe remplacera :

Toutes les réparations sous garantie sont effectuées par nos Centres de réparation ou par nos réparateurs agréés. Pour une demande de réparation, appelez le 1 800 561-3344.

Veillez avoir les numéros de série et de modèle de votre appareil à portée de main lorsque vous appelez pour obtenir un service.



Garantie de la sècheuse GE .



Toutes les réparations sous garantie sont effectuées par nos Centres de réparation ou par nos réparateurs agréés Customer Care®. Pour faire la demande d'une réparation en ligne, visitez le site GEApplications.com ou appelez au 800.GE.CARES (800.432.2737).
Veuillez avoir les numéros de série et de modèle de votre appareil à portée de main lorsque vous appelez pour obtenir un service.

Agrafez votre facture ici.
Une preuve de la date d'achat
d'origine est requise pour
obtenir des services
sous garantie.

Pour la période de : Nous remplacerons :

Un an À compter de la date d'achat d'origine
Toute pièce de la sècheuse qui se révèle défectueuse en raison d'un vice de matériau ou de fabrication. Au cours de cette **garantie limitée d'un an**, GE fournira également, **sans frais**, tous les coûts de main-d'œuvre et de service liés au remplacement de la pièce défectueuse.

Ce qui n'est pas couvert :

- Toute visite à votre domicile pour vous expliquer le fonctionnement de l'appareil.
 - Une installation, une livraison ou un entretien inadéquats.
 - Toute défectuosité du produit lorsqu'il a été utilisé de façon abusive ou inadéquate, ou employé à toute autre fin que celle pour laquelle il a été conçu, ou utilisé à des fins commerciales.
 - Le remplacement des fusibles ou le réenclenchement des disjoncteurs de votre domicile.
 - Tout dommage au produit attribuable à un accident, un incendie, une inondation ou une catastrophe naturelle.
 - Tout dommage accessoire ou indirect, causé par des défaillances possibles de l'appareil.
- Dommage causé après la livraison.
 - Tout produit auquel il n'est pas possible d'accéder pour effectuer les réparations nécessaires.
 - Le remplacement de l'ampoule après sa durée de vie normale.
 - Les défectuosités ou les dommages causés par une utilisation de l'appareil à des températures situées sous le point de congélation.
 - Les produits qui ne sont pas défectueux ou brisés, ou qui fonctionnent tel que décrit dans le Manuel de l'utilisateur.

EXCLUSION DES GARANTIES IMPLICITES—Votre seul et unique recours est de faire réparer le produit dans le cadre de cette garantie limitée. Toute garantie implicite, incluant la garantie de qualité marchande ou d'aptitude du produit à un usage particulier, est limitée à un an ou à la période la plus courte autorisée par la loi.

Cette garantie est offerte à l'acheteur initial, ainsi qu'à tout propriétaire subséquent d'un produit acheté en vue d'une utilisation domestique aux États-Unis. Si le produit se situe dans une zone où aucun réparateur agréé par GE n'est disponible, vous devrez peut-être assumer les frais de déplacement de celui-ci ou apporter le produit à un atelier de réparation agréé par GE. En Alaska, la garantie exclut les coûts d'expédition et les appels de service nécessitant une visite à domicile.

Dans certains États, il est interdit d'exclure ou de limiter les dommages indirects ou accessoires. La présente garantie vous confère des droits juridiques spécifiques. Vous pouvez bénéficier d'autres droits, qui varient d'un État à l'autre. Pour connaître les droits dont vous bénéficiez dans votre province, communiquez avec le bureau des Relations avec les consommateurs de votre région ou de votre État ou le secrétaire à la Justice de votre État.

Garant : General Electric Company, Louisville, KY 40225, États-Unis

Avant de contacter un service de dépannage...

PROBLÈME	Causes possibles	Solutions
Petite quantité d'eau sur le plancher devant la sècheuse	Charge inadéquate pour le programme de vapeur sélectionné, l'excédent de vapeur se condense et fuit	<ul style="list-style-type: none"> Si vous utilisez le programme Steam DeWrinkle (Défroissage à la vapeur), réduisez manuellement la durée du programme.
Eau sur le plancher derrière la sècheuse	Raccord d'alimentation en eau desserré sur le robinet	<ul style="list-style-type: none"> Serrez le raccord.
	Rondelle en caoutchouc du tuyau manquante au niveau du raccord avec le robinet.	<ul style="list-style-type: none"> Installez la rondelle en caoutchouc fournie avec le tuyau.
L'eau coule de la porte lorsque la porte est ouverte après un cycle de vapeur	La vapeur se condense sur la contre-porte	<ul style="list-style-type: none"> Ceci est normal.
Impossible de voir la vapeur au début du programme	La vapeur est relâchée à différents moments pendant le cycle	<ul style="list-style-type: none"> Ceci est normal.
Impossible de voir la vapeur pendant le programme	La buse de vapeur peut être bouchée par des débris provenant de votre alimentation en eau	<ul style="list-style-type: none"> Téléphoner au 1 800 561.3344 pour commander une buse de remplacement WE25M71 ou pour demander qu'un technicien qualifié la remplace pour vous.
Les vêtements présentent des plis après le cycle de vapeur	Trop de vêtements	<ul style="list-style-type: none"> Chargez moins de vêtements et augmentez manuellement la durée.
La sècheuse continue à fonctionner après que l'affichage indique 0:00	L'option de cultutage prolongé a été sélectionnée	<ul style="list-style-type: none"> Assurez-vous que l'option Extended Tumble (Cultutage prolongé) n'a pas été sélectionnée.

PROBLÈME	Causes possibles	Solutions
Les vêtements rétrécissent	Il est naturel que certains tissus rétrécissent lorsqu'ils sont lavés. D'autres tissus peuvent être nettoyés sans problème, mais rétrécissent dans la sècheuse.	<ul style="list-style-type: none"> Pour éviter le rétrécissement, respectez les étiquettes d'entretien des vêtements. Une fois repassés, certains articles reprennent leur forme après le séchage. Si vous craignez qu'un vêtement en particulier rétrécisse, ne le lavez pas à la machine et ne le séchez pas à la sècheuse.
Tache de graisse sur les vêtements	Utilisation inadéquate d'un assouplissant	<ul style="list-style-type: none"> Suivez le mode d'emploi sur l'emballage de l'assouplissant.
Lavage d'articles sales avec des articles propres	Les vêtements n'ont pas été nettoyés en profondeur	<ul style="list-style-type: none"> Parfois, les taches qui semblent invisibles lorsque les vêtements sont humides apparaissent après le séchage. Utilisez des techniques de lavage adéquates avant de procéder au séchage.
Charpie sur les vêtements	Le filtre à charpie est plein	<ul style="list-style-type: none"> Nettoyez le filtre à charpie avant chaque séchage.
	Triage inadéquat	<ul style="list-style-type: none"> Triez les vêtements qui produisent beaucoup de charpie (p. ex., la chenille) et les vêtements qui attirent la charpie (p. ex., le velours côté).
	L'électricité statique attire la charpie	<ul style="list-style-type: none"> Reportez-vous aux suggestions dans la section PRÉSENCE D'ÉLECTRICITÉ STATIQUE.
	Surcharge	<ul style="list-style-type: none"> Séparez les charges volumineuses en petites charges.
	Papier, mouchoirs, etc. laissés dans les poches	<ul style="list-style-type: none"> Videz toutes les poches avant de laver les vêtements.
Présence d'électricité statique	Aucun assouplissant n'a été utilisé	<ul style="list-style-type: none"> Les feuilles d'assouplissant Bounce® ont été approuvées pour une utilisation avec toutes les sècheuses GE. Utilisez-les conformément au mode d'emploi du fabricant. Essayez un assouplissant.
	Séchage excessif	<ul style="list-style-type: none"> Essayez un assouplissant. Réglez les paramètres à Less dry (Moins sec) ou Damp (Humide).
	Les tissus synthétiques, le passage permanent et les vêtements en polyester/coton peuvent créer de l'électricité statique	<ul style="list-style-type: none"> Essayez un assouplissant.
Coils et ceintures toujours humides à la fin du programme	Le système de surveillance du niveau de séchage détermine que les vêtements sont secs	<ul style="list-style-type: none"> Sélectionnez Speed Dry (Séchage rapide) ou Time Dry (Séchage minuté) pour sécher les coils humides et les ceintures. À l'avenir, lorsque vous séchez une charge qui comprend des coils et des ceintures, sélectionnez More Dry (Plus sec).
Variation légère de la couleur du métal	Ceci est normal	<ul style="list-style-type: none"> En raison des propriétés métalliques de la peinture utilisées pour ce produit unique, de légères variations de la couleur peuvent survenir selon l'angle de vision et les conditions d'éclairage.
La porte est trop embuée pour voir les vêtements pendant un cycle de vapeur	La vapeur se condense sur la contre-porte	<ul style="list-style-type: none"> Ceci est normal.
Eau à l'intérieur de la porte	La vapeur se condense sur ces surfaces	<ul style="list-style-type: none"> Ceci est normal.
		<ul style="list-style-type: none"> après un cycle de vapeur lorsque la porte est ouverte et au-dessus du filtre à charpie
De petites zones des vêtements sont humides après le programme de vapeur	La vapeur se condense sur le tambour	<ul style="list-style-type: none"> Si vous utilisez le programme Steam DeWrinkle (Défroissage à la vapeur), réduisez manuellement la durée du programme.

PROBLÈME	Causes possibles	Solutions
Le temps restant a diminué	La durée estimée peut changer lorsqu'une charge plus petite que d'habitude est séchée	• Ceci est normal.
Impossible de faire une sélection et la sècheuse émet deux bips	Le niveau de SÈCHAGE, la température ou l'OPTION que vous essayez de sélectionner est incompatible avec le programme de séchage sélectionné	• Ceci est normal.
Le séchage est en cours mais 0:00 est affiché dans le temps restant	L'option Extended Tumble (Culbutage prolongé) a été sélectionnée	• Ceci est normal. Pendant le culbutage prolongé, le temps restant n'est pas affiché. Le culbutage prolongé a une durée approximative de 60 minutes.
Message de nettoyage du filtre à charpie a été enfoncé	Le bouton Power (Alimentation) a été enfoncé	• Appuyez sur Start (Départ) pour commencer un cycle de séchage. Le message disparaîtra.
La sècheuse ne chauffe pas	Le fusible est grillé/le disjoncteur s'est déclenché mais ne chauffe pas	• Vérifiez les fusibles/le disjoncteur et remplacez les fusibles ou réenclenchez les disjoncteurs. Votre séchage peut fonctionner même si un seul fusible est grillé ou un seul disjoncteur est déclenché.
	L'alimentation en gaz est coupée	• Assurez-vous que le robinet d'arrêt du gaz et le robinet d'arrêt principal sont complètement ouverts.
	Le réservoir de GPL est vide ou l'alimentation en gaz a été interrompue (modèles à gaz)	• Remplissez ou remplacez le réservoir. La sècheuse devrait se réchauffer lorsque l'alimentation en gaz est restaurée.
Temps de séchage inégal	Type de chaleur	• Le temps de séchage varie selon le type de chaleur. Si vous avez récemment remplacé votre sècheuse électrique par une sècheuse au gaz (naturel ou PL) ou vice versa, le temps de séchage pourrait être différent.
	Type de charge et conditions de séchage	• Le volume de la charge, les types de tissu, l'humidité des vêtements et la longueur et l'état du système d'évacuation ont une incidence sur les temps de séchage.
Lueur à l'arrière du tambour	Les éléments chauffants derrière le tambour	• Ceci est normal. Dans certaines conditions de séchage et la lumière ambiante, la lueur des éléments chauffants peut être visible à l'arrière du tambour.
Les vêtements sont toujours humides et la sècheuse s'éteint après une courte période de temps	La porte a été ouverte pendant le cycle. La charge a été ensuie été retirée de la sècheuse et remplacée par une nouvelle charge, sans qu'un nouveau programme ait été sélectionné.	• Un cycle de séchage doit être sélectionné chaque fois qu'une nouvelle charge est lavée.
	Petite charge	• Lorsque vous séchez 3 articles ou moins, sélectionnez Speed Dry (Séchage rapide) ou Time Dry (Séchage minute).
	La charge a été séchée sans les cols et les ceintures	• Sélectionnez Speed Dry (Séchage rapide) ou Time Dry (Séchage minute) pour sécher les cols humides et les ceintures. À l'aventur, lorsque vous séchez une charge qui comprend des cols et des ceintures, sélectionnez More Dry (Plus sec).
	La sècheuse n'est pas de niveau	• Déplacez la sècheuse sur une surface plane ou réglez les pieds de mise à niveau jusqu'à ce qu'ils soient de niveau.
Les vêtements présentent des plis	Séchage excessif	• Sélectionnez un temps de séchage plus court. • Retirez les articles pendant qu'ils sont encore un peu humides. Sélectionnez le paramètre Less Dry (Moins sec) ou Damp (Humide).
	Articles laissés dans la sècheuse après la fin du cycle	• Retirez les articles lorsque le cycle se termine et pliez ou suspendez-les immédiatement, ou utilisez l'option Extended Tumble (Culbutage prolongé).
	Surcharge	• Séparez les charges volumineuses en petites charges.



Conseils de dépannage
 Économisez du temps et de l'argent! Passez en revue les tableaux situés dans les pages
 suivantes ou visitez www.GEAppiances.ca. Vous pourriez vous éviter un appel.

PROBLÈME	Causes possibles	Solutions
La sècheuse est secouée ou fait du bruit	Ceci est normal. La sècheuse n'est peut-être pas de niveau	<ul style="list-style-type: none"> Déplacez la sècheuse sur une surface plane ou réglez les pieds de mise à niveau jusqu'à ce que la sècheuse soit de niveau.
Les vêtements prennent trop de temps à sécher	Conduit inadéquat ou bouché	<ul style="list-style-type: none"> Vérifiez les instructions d'installation pour vous assurer que l'évacuation de la sècheuse est bien installée. Assurez-vous que le conduit est propre, sans pli et n'est pas obstrué. Vérifiez que le registre du mur extérieur fonctionne correctement. Séparez les articles lourds des articles légers (de manière générale, une charge bien triée au lavage sera bien triée au séchage).
	Charges volumineuses de tissus lourds (comme les serviettes de plage)	<ul style="list-style-type: none"> Les grands tissus et les tissus lourds contiennent plus d'humidité et prennent plus longtemps à sécher. Séparez les grands tissus et les tissus lourds en charges moins volumineuses pour accélérer le séchage.
	Les commandes du four sont mal réglées	<ul style="list-style-type: none"> Réglez les paramètres de séchage en fonction de la charge que vous séchez.
	Le filtre à charpie est plein	<ul style="list-style-type: none"> Nettoyez le filtre à charpie avant chaque séchage.
	Fusibles grillés ou disjoncteur déclenché	<ul style="list-style-type: none"> Remplacez le fusible ou redémarrez le disjoncteur. Comme la plupart des sècheuses utilisent 2 fusibles/disjoncteurs, assurez-vous que tous les deux fonctionnent.
	Surcharge / combinaison des charges	<ul style="list-style-type: none"> Ne séchez pas plus d'une charge à la fois.
	Charge insuffisante	<ul style="list-style-type: none"> Si vous ne séchez qu'un ou deux articles, ajoutez quelques articles pour assurer un cubitage adéquat.
Le niveau de séchage a été sélectionné mais la charge est encore humide	La charge se compose d'un mélange de tissus lourds et légers	<ul style="list-style-type: none"> Lorsque vous combinez des tissus lourds et légers dans la même charge, sélectionnez More Dry (Plus sec) si vous utilisez un programme de séchage par capteur.
	Le système d'évacuation est obstrué	<ul style="list-style-type: none"> Inspectez et nettoyez le système d'évacuation.
Les touches de commande ne répondent plus	Les commandes ont été accidentellement mises en mode Entretien	<ul style="list-style-type: none"> Appuyez sur Power (Alimentation).
	Les commandes ont été accidentellement verrouillées	<ul style="list-style-type: none"> Maintenez enfoncée la touche Lock (Verrouillage) pendant 3 secondes pour déverrouiller la sècheuse.
	Les commandes ont mal fonctionnées	<ul style="list-style-type: none"> Réinitialisez le disjoncteur interne.
La sècheuse ne démarre pas	Le panneau de commandes est en veilleuse	<ul style="list-style-type: none"> Ceci est normal. Appuyez sur Power (Alimentation) pour activer le panneau de commande. Assurez-vous que la fiche de la sècheuse est bien insérée dans la prise.
	La sècheuse est débranchée.	
	Le fusible est grillé/le disjoncteur s'est déclenché	<ul style="list-style-type: none"> Vérifiez les fusibles/le disjoncteur et remplacez le fusible ou réenclenchez le disjoncteur. REMARQUE : Les sècheuses électriques fonctionnent avec deux fusibles ou disjoncteurs.
	La sècheuse a été accidentellement mise en pause lorsque le séchage différé a été démarré	<ul style="list-style-type: none"> Si le voyant de la touche Delay Dry (Séchage différé) clignote, la sècheuse est en pause. Appuyez sur Start (Départ) pour recommencer le compte à rebours.
Aucun chiffre n'est affiché pendant le cycle, seuls les voyants sont allumés	La sècheuse fait un suivi continu de la quantité de l'humidité des vêtements	<ul style="list-style-type: none"> Ceci est normal. Lorsque la sècheuse détecte un faible niveau d'humidité dans la charge, la sècheuse affiche la durée de séchage restantes.

INSTALLATION DE L'ENSEMBLE DE SUPPORT DE SUPERPOSITION (suite)

4. Préparez la laveuse et la sècheuse

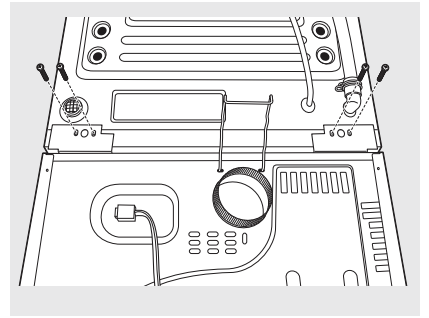
- A. Placez la laveuse dans son emplacement désigné.
- B. Assurez-vous que la laveuse est de niveau. Pour plus de détails, reportez-vous aux instructions d'installation de la laveuse.
- C. Inversez l'ouverture de la porte au besoin. Consultez les instructions d'installation pour plus de renseignements.

REMARQUE : Il est impossible d'inverser l'ouverture de la porte de la laveuse.

AVERTISSEMENT!

Possibilité de blessures corporelles. Nous recommandons que plus de deux personnes soulèvent la sècheuse pour la mettre en place, en raison de son poids et de sa taille. Dans le cas contraire, vous vous exposez à des blessures graves, voire mortelles.

- B. Alignez les trous du support aux trous à l'arrière de la sècheuse. Utilisez un tournevis Phillips pour installer les 2 vis taraudeuses n° 8 x 1/2 po. Répétez de chaque côté de la laveuse.

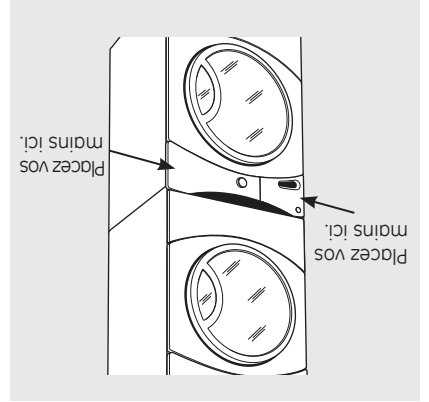


5. Installez la sècheuse et le support sur la laveuse

- A. Soulevez la sècheuse et placez-la au-dessus de la laveuse. Évitez d'égratigner le dessus la laveuse avec les supports. Protégez le panneau de commande de la laveuse avec du carton ou une autre protection. Assurez-vous de soulever la sècheuse assez haut pour éviter le panneau de commandes de la laveuse.

6. Terminez l'installation

- A. Reportez-vous aux instructions d'installation pour terminer l'installation.
- B. Reportez-vous aux instructions d'installation de la sècheuse pour terminer l'installation.
- C. Glissez ou déplacez soigneusement l'ensemble superposé en place. Utilisez des coussins en feutre ou un autre matériel glissant pour faciliter le déplacement et protéger les planchers.



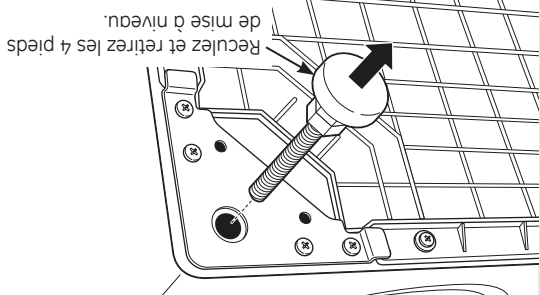
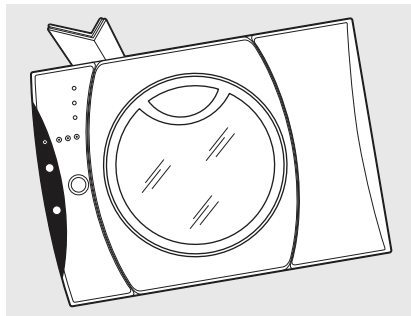
AVERTISSEMENT!

Possibilité de blessures corporelles. Ne poussez pas sur la sècheuse une fois qu'elle a été installée sur la laveuse. Vous pourriez vous pincer les doigts.

INSTALLATION DE L'ENSEMBLE DE SUPPORT DE SUPERPOSITION

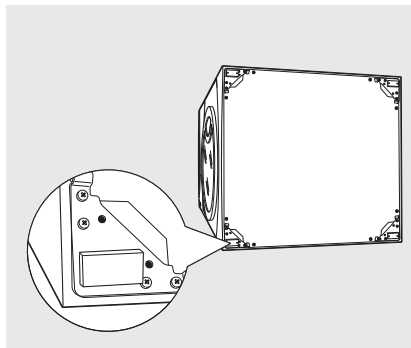
1. Retirez les pieds de mise à niveau de la sècheuse

- A.** Couchez soigneusement la sècheuse sur le côté. Servez-vous du matériel d'emballage pour éviter d'égratigner la finition de la sècheuse.
- B.** Utilisez une clé ouverte ou des pinces pour retirer les pieds de mise à niveau.



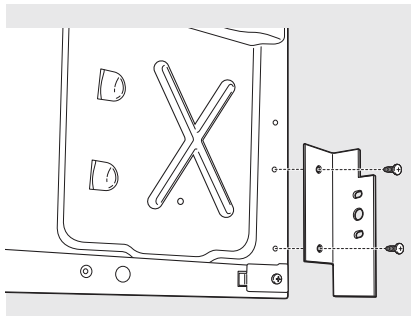
2. Installez les coussins en caoutchouc sur la base de la sècheuse

Repérez les 4 coussins en caoutchouc dans l'ensemble de pièces. Retirez leur film protecteur et placez-les sur les supports des pieds de mise à niveau.

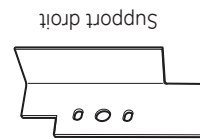


3. Installez le support sur la sècheuse

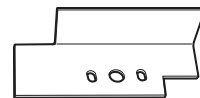
- A.** Alignez les trous du support gauche aux trous du coin inférieur gauche de la sècheuse. Utilisez un tournevis Phillips n° 12 x 1 po. pour installer les 2 vis taraudeuses n° 12 x 1 po.
- B.** Répétez l'étape ci-dessus pour installer le support droit dans le coin inférieur droit de la sècheuse.
- C.** Placez la sècheuse en position debout.



CONTENU DE LA TROUSSE (ensemble facultatif GE FL STACK)



Support droit



Support gauche

4 coussins en caoutchouc



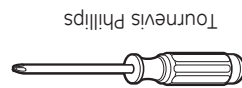
4 vis n° 12 x 1 po



4 vis n° 8 x 1/2 po



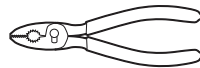
OUTILS DONT VOUS AUREZ BESOIN



Tournevis Phillips



Clé ouverte



Pincettes



Gants



Niveau

PRÉPARATIFS D'INSTALLATION

Retirez l'emballage.

Aplatissez le carton pour coucher la sècheuse sur le côté. Servez-vous du carton pour protéger le plancher situé devant l'endroit où la sècheuse sera installée.

AVANT DE COMMENCER

Lisez attentivement toutes ces instructions.

- **IMPORTANT** : Conservez ces instructions pour l'inspecteur en électricité local.
- **IMPORTANT** : Observez tous les codes et règlements en vigueur.
- **Remarque destinée à l'installateur** – Veillez à laisser ces instructions au consommateur.
- L'installateur est responsable de la qualité de l'installation.
- **Remarque destinée au consommateur** – Conservez ces instructions pour vous y reporter ultérieurement, qualifié.
- L'installation **doit** être effectuée par un installateur

POUR VOTRE SÉCURITÉ

⚠ AVERTISSEMENT!

- Risque de choc électrique. Coupez l'alimentation électrique avant l'installation. Dans le cas contraire, vous vous exposez à des blessures graves, voire mortelles.
- **Possibilité de blessures corporelles. Nous recommandons que plus de deux personnes soulevent la sècheuse pour la superposer, en raison de son poids et de sa taille. Dans le cas contraire, vous vous exposez à des blessures graves, voire mortelles.**
- Installation dans une maison mobile – Il est interdit de superposer une sècheuse au gaz dans une maison mobile.

DÉGAGEMENT MINIMUM POUR UNE INSTALLATION AUTRE QUE DANS UNE ALCÔVE OU UN PLACARD

Voici le dégagement minimum pour les surfaces combustibles et les ouvertures d'air : 0 po des deux côtés, 2,54 cm (1 po) à l'avant, 2,54 cm (1 po) à l'arrière et 2,54 cm (1 po) à l'hauteur. Vous devez prévoir un dégagement minimal pour l'installation et l'entretien.

INSTALLATION DANS UNE ALCÔVE OU UN PLACARD

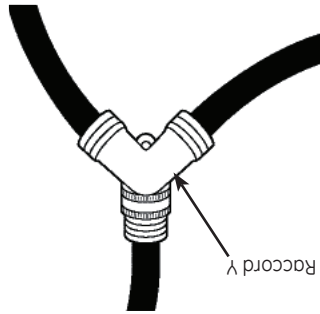
- Si votre sècheuse est approuvée pour une installation dans un placard ou une alcôve, cela sera indiqué sur l'étiquette à l'arrière de la sècheuse.
- La sècheuse DOIT s'évacuer vers l'extérieur. Pour plus de détails, reportez-vous aux instructions d'installation de la sècheuse.
- Les dégagements minimaux entre la sècheuse et les murs ou autres surfaces adjacents sont :
 - 0 po de chaque côté
 - 2,54 cm (1 po) à l'avant
 - 2,54 cm (1 po) à l'arrière
 - 2,54 cm (1 po) à l'hauteur
- Les portes de placard doivent être munies de persiennes ou être ventilées, et elles doivent posséder une surface ouverte d'au moins 60 po² (387 cm²) distribuée de manière égale. Si ce placard contient une laveuse et une sècheuse, les portes doivent posséder une surface ouverte d'au moins 774 cm² (120 po²) distribuée de manière égale.

Pour produire de la vapeur, la sècheuse doit être raccordée à l'alimentation en eau froide. Comme la laveuse doit également être raccordée à l'alimentation en eau froide, un raccord Y est inséré pour raccorder les deux tuyaux d'arrivée en même temps.

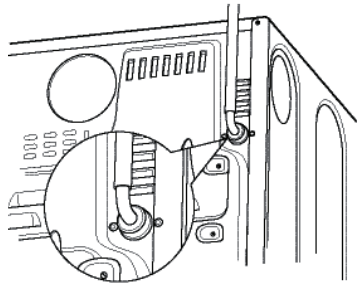
REMARQUE : Utilisez les tuyaux d'arrivée fournis. N'utilisez jamais de vieux tuyaux.

Raccord à l'alimentation en eau froide (certains modèles)

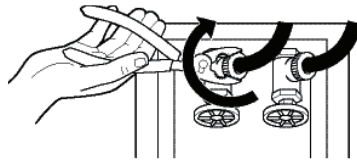
1. Fermer le robinet d'eau froide. Détachez le tuyau d'arrivée de la laveuse du raccord du robinet d'arrivée de l'eau froide de la laveuse.
2. Assurez-vous que la rondelle plate en caoutchouc est en position et vissez le raccord femelle du tuyau court au raccord du robinet d'arrivée de la laveuse. Serrez à la main jusqu'à ce qu'il soit bien en place.
3. Raccordez l'extrémité femelle du raccord Y au raccord mâle du tuyau court. Assurez-vous que la rondelle plate en caoutchouc est en place. Serrez-la à la main jusqu'à ce qu'elle soit bien en place.
4. Insérez la grille filtrante dans le raccord du tuyau d'arrivée de la laveuse. Si une rondelle en caoutchouc plate est déjà en place, retirez-la avant d'installer la grille filtrante. Fixez le raccord à une extrémité mâle du raccord Y. Serrez-le à la main jusqu'à ce qu'il soit bien en place.



5. Assurez-vous que la rondelle plate en caoutchouc est en place et raccordez le long tuyau d'arrivée de la sècheuse dans l'autre extrémité mâle du raccord Y. Serrez à la main jusqu'à ce qu'il soit bien en place.
6. Assurez-vous que la rondelle plate en caoutchouc est en place, puis raccordez l'autre extrémité du long tuyau d'arrivée de la sècheuse au raccord du robinet d'arrivée situé au bas du panneau arrière de la sècheuse. Serrez à la main jusqu'à ce qu'il soit bien en place.



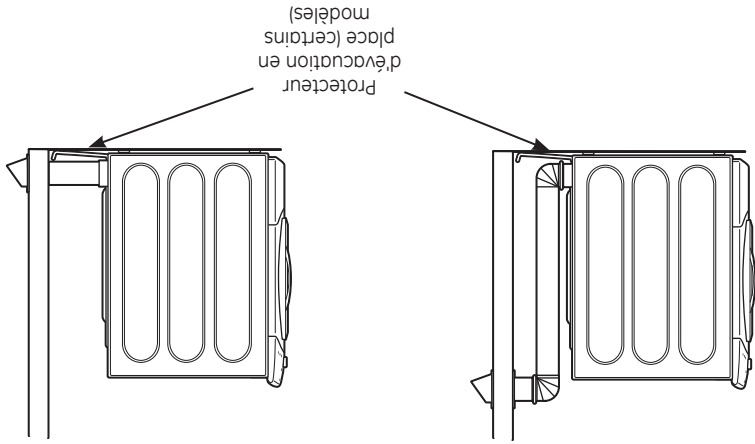
7. À l'aide d'une pince, serrez tous les raccords en effectuant deux tiers de tour supplémentaire. **REMARQUE :** Ne serrez pas trop, car vous pourriez endommager les raccords.
8. Ouvrez le robinet d'eau.
9. Vérifiez la présence de fuites autour du raccord Y et des raccords du robinet et du tuyau.



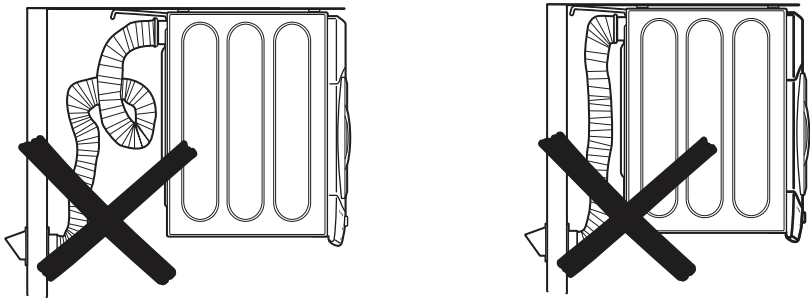
Pour optimiser le séchage, la sècheuse doit être ventilée correctement. **La sècheuse consomme davantage d'énergie et fonctionne plus longtemps si elle n'est pas ventilée selon les spécifications ci-dessous. Suivez attentivement les instructions détaillées sur l'évacuation sous « Instructions d'installation ».**

- Utilisez uniquement un conduit métallique rigide de 10,16 cm (4 po) à l'intérieur de l'espace de la sècheuse et un adaptateur de conduit homologué CLL entre la sècheuse et le conduit domestique.
- N'utilisez pas de conduit en plastique ou en d'autres matériaux combustibles.
- Utilisez le conduit le plus court possible.
- N'écrasez pas, n'entortillez pas ou ne pliez pas le conduit.
- Évitez de faire reposer le conduit sur les objets pointus.
- **L'évacuation doit être conforme aux codes du bâtiment locaux.**

Évacuation adéquate



Évacuation inadéquate



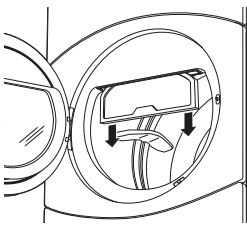
Entretien et nettoyage de la sècheuse



Extérieur de la sècheuse : Essuyez ou époussetez tout déversement ou produit de lavage avec un chiffon humide. Le panneau de commande de la sècheuse peut être endommagé par certains détergents et produits détachants. Appliquez ces produits loin de la sècheuse. Le tissu peut ensuite être lavé et séché normalement. Les dommages causés par ces produits ne sont pas couverts pas la garantie de votre sècheuse.

Filtre à charpie : Nettoyez le filtre à charpie avant chaque utilisation.

Tirez le filtre à charpie. Mouillez vos doigts et retirez la charpie. Une fois qu'il a été nettoyé, glissez le filtre dans sa position. Demandez à un technicien qualifié d'aspirer la charpie de la sècheuse une fois par année.



N'UTILISEZ JAMAIS LA SÈCHEUSE SANS FILTRE.

Acier inoxydable : Pour nettoyer les surfaces en acier inoxydable, utilisez un chiffon humide et un détergent doux non abrasif convenant aux surfaces en acier inoxydable. Retirez les résidus de produit nettoyant, puis séchez-les avec un chiffon propre.

L'acier inoxydable utilisé pour la fabrication du tambour de la sècheuse vous offre la meilleure fiabilité possible dans une sècheuse GE. Si le tambour de la sècheuse venait à être marqué ou rayé en cours d'usage normal, il ne rouillerait pas. Ces dommages superficiels n'affecteront pas sa durabilité ni son fonctionnement.

Intérieur et conduit de la sècheuse : L'intérieur de l'appareil et le conduit d'évacuation doivent être généralement confiés à un technicien qualifié.

Conduit d'évacuation : Inspectez et nettoyez le conduit d'évacuation au moins une fois par année afin d'éviter qu'il se bouche. La durée de séchage peut être augmentée lorsque l'évacuation est bouchée. Suivez les étapes suivantes :

- 1 Coupez l'alimentation électrique en débranchant l'appareil de la prise murale.
- 2 Débranchez le conduit de la sècheuse.
- 3 Passez l'aspirateur dans le conduit, puis raccordez le conduit.

Hotte d'évacuation : Vérifiez avec un miroir que les bords intérieurs se déplacent sans difficulté au cours de l'utilisation. Vérifiez qu'il n'y a pas d'animaux ou d'insectes qui ont fait leur nid dans le conduit ou la hotte.

Chargement et utilisation de la sècheuse.

Respectez toujours l'étiquette d'entretien du fabricant lors de la lessive.

Étiquettes d'entretien du linge



Vous trouverez ci-dessous les « symboles » des étiquettes d'entretien de votre linge.

ÉTIQUETTES DE LAVAGE

Cycle de lavage en machine

- Normal
- Tissus à pressage permanent/infroissables
- Doux/tissus délicats
- Laver à la main
- Ne pas laver
- Ne pas tordre

Température de l'eau visée pour appareil à chargement frontal

Catégorie	Température de l'eau	Commande automatique de température
Froid ou robinet	Temp. de l'arrivée d'eau	Pas utilisé
Froid	27 °C / 80 °F	Utilisé
Maintien au chaud	40 °C / 105 °F	Utilisé
Chaud	50 °C / 120 °F	Utilisé
Désinfection	70 °C / 160 °F	Utilisé

SÉCHAGE

Séchage par culbutage

- Séchage
- Normal
- Tissus à pressage permanent/infroissables
- Doux/tissus délicats
- Ne pas sécher par culbutage « Ne pas laver »

Réglage de température

- Max.
- Moyen
- Min.
- Pas de chaleur/air

Instructions spéciales

- Sécher sur corde/suspendre pour sécher
- Sécher par égouttage
- Sécher à plat
- À l'ombre

AGENT DE BLANCHIMENT

Symboles pour agent de blanchiment

- Tout type d'agent de blanchiment (si nécessaire)
- Agent de blanchiment non chloré
- Ne pas utiliser d'agent de blanchiment

Astuces pour le tri et le chargement



De manière générale, lorsque les vêtements ont été très correctement pour la lavreuse, ils sont très correctement de leur taille. Par exemple, ne séchez pas un drap avec des chaussettes ou d'autres articles plus petits. N'ajoutez pas de feuilles d'assouplissant à la brosse de linge une fois qu'elle s'est réchauffée. Cela pourrait toucher les tissus. Les feuilles d'assouplissant Bounce® ont été approuvées pour une utilisation avec toutes les sècheuses GE. Utilisez-les conformément au mode d'emploi du fabricant.

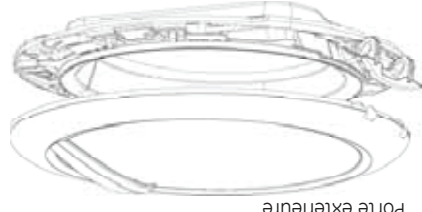
Ne surchargez pas la lave-vaisselle. Cela gaspille de l'énergie et crée des plis.

Ne séchez pas les articles suivants : articles en fibre de verre, laines, articles recouverts de caoutchouc, plastiques, objets avec bords en plastique et articles rembourrés.

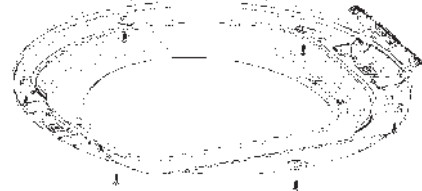
INSTRUCTIONS ÉTAPE PAR ÉTAPE (suite)

Remonter la porte

IMPORTANT : Assurez-vous qu'il n'y a pas de saleté ou toute autre substance étrangère entre les panneaux de la porte.
 11. Disposez la porte extérieure en plastique sur la contre-porte. Assurez-vous que la poignée est située de l'autre côté de la charnière, tel qu'illustré.

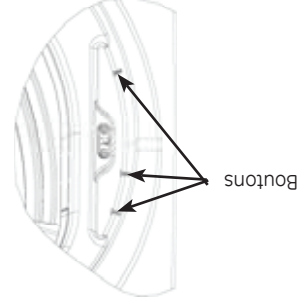


12. Tournez la porte et fixez la porte extérieure à la contre-porte en utilisant les 6 vis tarauduses.

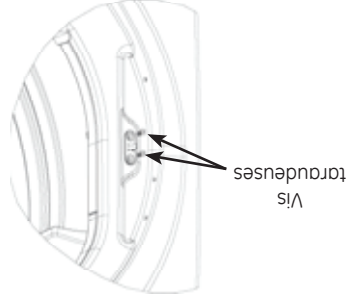


Déplacer le support protecteur

13. À l'aide d'un couteau à mastic ou de tout autre outil plat, retirez les 5 boutons situés sur la sécheuse et installez-les sur l'autre côté.

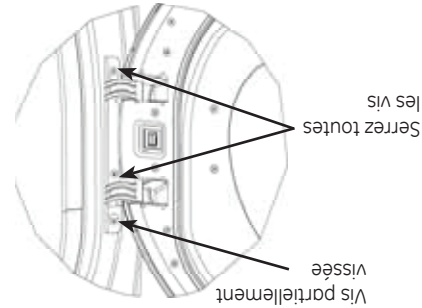


14. Déplacez le support protecteur et sa protection de l'autre côté en retirant les vis.

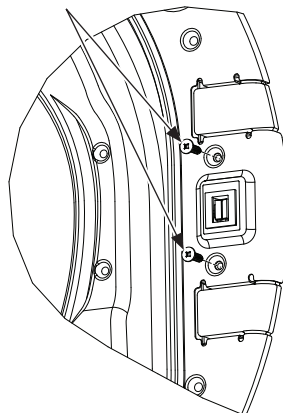


Réinstallation de la porte

15. La porte est désormais prête à être installée sur la sécheuse. Pour faciliter cette étape, la charnière est dotée de fentes qui permettent d'utiliser les vis partiellement vissées comme crochets.
 Vissez partiellement une vis dans le trou de vis supérieur. Accrochez la porte sur la vis partiellement vissée.
 Serrez la charnière en installant les 4 autres vis et en serrant la vis qui a été partiellement vissée lors de l'étape précédente.

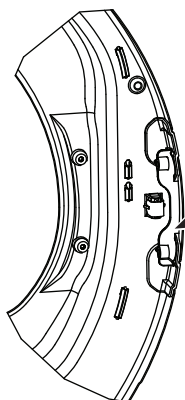


Vis taraudeuses



10. Fixez le couvre-charnière avec 2 vis taraudeuses.

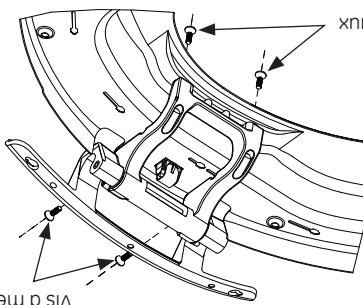
Couvre-charnière



9. Insérez le couvre-charnière. Alignez les trous du couvre-charnière avec les trous de la porte.

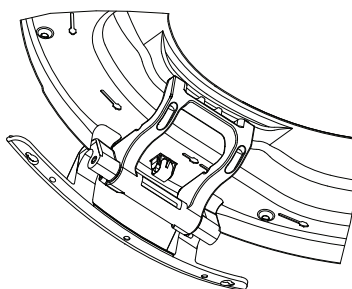
Réinstallation du couvre-charnière

Vis à métaux



8. Maintenez la charnière et la porte en position avec une main, tout en vissant les 4 vis à métaux, tel qu'illustré.

Vis à métaux



7. Installez la charnière sur l'autre côté de la porte, tel qu'illustré. Poussez la charnière jusqu'à ce que ses trous soient alignés avec les trous de la porte.

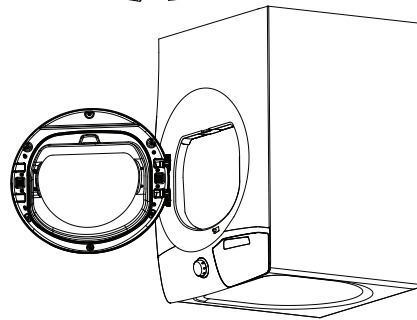
Réinstallation de la charnière

INSTRUCTIONS ÉTAPE PAR ÉTAPE (suite)

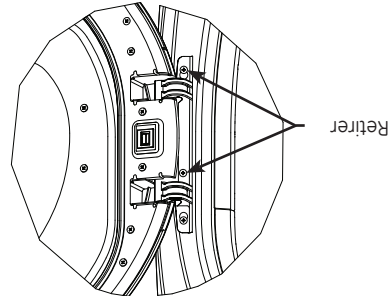
INSTRUCTIONS ÉTAPE PAR ÉTAPE (suite)

Pour retirer la porte

2. Ouvrez la porte à un angle de 130 degrés approximativement.

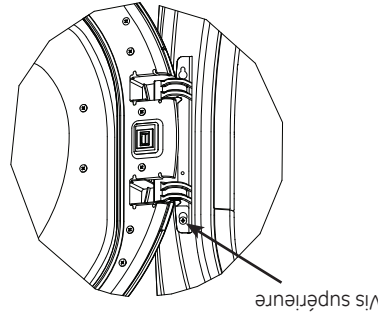


3. Retirez les 4 vis en commençant par celle du bas. Assurez-vous que la porte est soutenue pendant que vous retirez les vis.



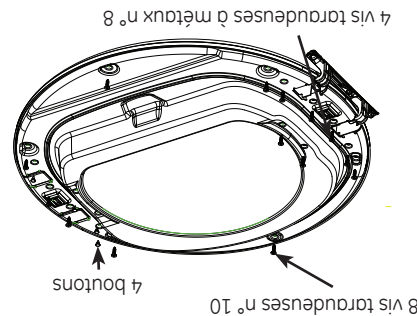
Retirer

4. Desserrez la vis supérieure comme indiqué. Décrochez la porte en la soulevant et en la tirant.



Vis supérieure

5. Placez la porte sur une surface plane et protégée afin que la contre-porte soit orientée vers le haut (porte reposant sur le côté de la poignée). Retirez les 8 vis taraudeuses autour de la porte.
Retirez les 4 vis à métaux.



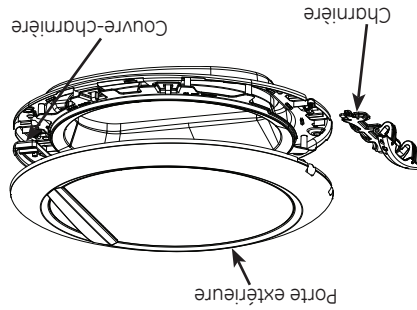
8 vis taraudeuses n° 10

4 boutons

Retirer la charnière et le couvre-charnière

IMPORTANT : Prenez en note le côté de la charnière (gauche ou droit) avant de la retirer.

6. Une fois les vis retirées, tournez la porte et séparez la porte extérieure et le couvre-charnière du cadre de la porte et mettez-les de côté.



Charnière

Couvre-charnière

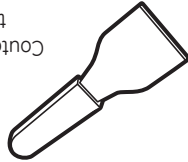
Porte extérieure

REMARQUES IMPORTANTES :

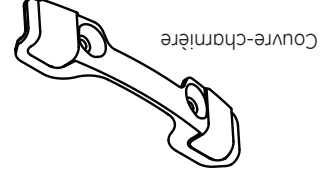
- Lisez bien toutes les instructions avant de commencer.
 - Manipulez les pièces avec précaution pour éviter de rayer la peinture.
 - Posez les vis à côté des pièces auxquelles elles correspondent pour éviter de les utiliser au mauvais endroit.
 - Aménagez un espace qui ne présente aucun risque de rayure pour la porte.
 - Prévoyez de 30 à 60 minutes pour inverser le sens de l'ouverture de la porte.
- IMPORTANT :** Une fois l'inversion commencée, ne déplacez pas la caisse jusqu'à ce que l'inversion soit terminée.
- Ces instructions indiquent comment changer les charnières de côté (de la droite vers la gauche) si vous souhaitez remettre les charnières du côté droit, suivez les mêmes instructions en inversant toutes les références faites aux côtés droit et gauche.

OUTILS DONT VOUS AUREZ BESOIN

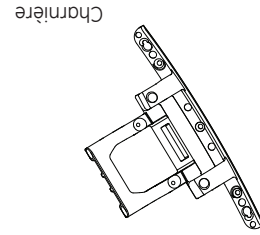
Tournevis Phillips



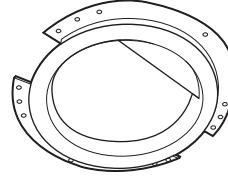
Couteau à mastic ou tournevis fin

PIÈCES DE LA PORTE

Couvre-charnière



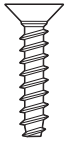
Charnière



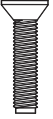
Couvricle en plastique



5 boutons

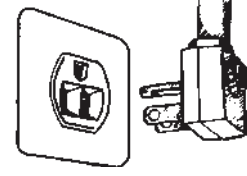
5 vis n° 8
(ensemble de porte et
panneau avant)4 vis n° 8
(plaque protectrice)

8 vis n° 10

(contre-porte, anneau extérieur
et couvre-charnière)

4 vis à métaux n° 8

(contre-porte et charnière)



1. Débranchez la sècheuse de la prise murale.

Avant de commencer**INSTRUCTIONS ÉTAPE PAR ÉTAPE**

À propos des options de programmes.

REMARQUE : Les fonctions ne sont pas toutes disponibles sur tous les modèles de sècheuses.

Verrouillage



Vous pouvez verrouiller les commandes pour empêcher que d'autres sélections soient faites. Vous pouvez également verrouiller les commandes après avoir démarré le séchage.

Lorsque cette option est sélectionnée, les enfants ne peuvent mettre en marche accidentellement la sècheuse en touchant les touches.

Pour verrouiller la sècheuse, maintenez l'icône de verrouillage enfoncée pendant 3 secondes. Pour déverrouiller la sècheuse, maintenez l'icône de verrouillage enfoncée pendant 3 secondes.

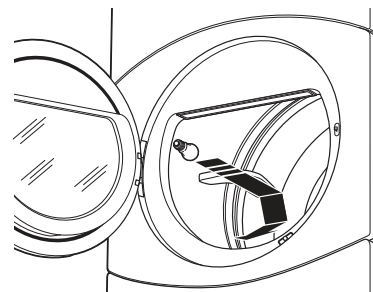
L'icône de verrouillage située près de la minuterie s'allumera lorsque les commandes sont verrouillées.

Temps restant estimé



Affiche la durée restante estimée avant la fin du programme.

Au début du programme, une durée estimée est affichée à l'écran. Les voyants s'affichent, ce qui indique que la sècheuse continue à surveiller la quantité d'humidité dans la charge. Les voyants demeurent allumés jusqu'à ce que la sècheuse détecte un faible niveau d'humidité dans la charge. À ce moment, la sècheuse calcule et affiche une estimation de la durée restante.



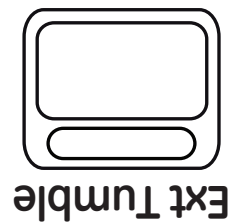
Éclairage du tambour

L'éclairage du tambour s'allume automatiquement lorsque la porte est ouverte.

Avant de remplacer l'ampoule, assurez-vous de débrancher le cordon d'alimentation de la sècheuse ou de déconnecter la sècheuse du tableau de distribution de votre domicile (fusible ou disjoncteur). Penchez-vous au-dessus de l'ouverture de la sècheuse vers l'intérieur du tambour. Retirez l'ampoule et remplacez-la avec une ampoule de même format.

À propos des options de programmes.

REMARQUE : Les fonctions ne sont pas toutes disponibles sur tous les modèles de sècheuses. www.electromenagersge.ca



Ext Tumble

Culbutage prolongé

Réduit le froissage au minimum en ajoutant environ 60 minutes de culbutage sans chaleur après que les vêtements sont secs. Le signal sonore émettra un bip chaque deux minutes pour vous rappeler de retirer les vêtements. Le message **ESTIMATED TIME REMAINING** (Temps restant estimé) affiche **0:00**.

La durée de culbutage prolongée n'est pas ajoutée à la durée affichée à l'écran.



e-DRY

Réduit la consommation totale d'énergie de certains programmes de séchage en réglant certains paramètres de chaleur.

REMARQUE : Les temps de cycle changeront lorsque **eDRY** est sélectionné. L'option **eDRY** se réglera par défaut à **Cottons** (Cotons). Pour des économies d'énergie optimales, mettez **eDRY** en marche. Pour un temps de séchage optimal, éteignez **eDRY**. Les économies d'énergie varieront selon les brassées et les cycles.

Ce cycle peut être utilisé avec **Cottons** (Cotons), **Mixed Loads** (Brassées Mélangées),

Towels/Sheets (Serviettes/Draps), **Delicates** (Déliçats), **Bulky Bedding** (Literie Volumineuse), **Perm Press/Casuals** (Pressage Permanent/Sports) et **Quick Dry** (Séchage Rapide). Lorsque la touche **eDRY** est appuyée, les réglages du cycle changent pour réduire la consommation totale d'énergie du capteur du cycle sélectionné.



Signal

Vous avertis lorsque le programme est terminé. Le signal sonore émettra un bip chaque minute pendant les 5 prochaines minutes, jusqu'à ce que vous ayez retiré les vêtements. Nous vous recommandons de retirer les vêtements lorsque le signal sonore se fait entendre afin d'éviter les plis.

Appuyez sur **Signal** pour sélectionner un volume (bas, moyen ou élevé) ou pour désactiver cette fonction.

4 Niveau du séchage par capteur (Level)

Le capteur surveille de façon continue la quantité d'humidité dans la charge. Une fois le niveau de séchage voulu atteint, la sécheuse s'arrête.

Remarque : Le séchage par capteur ne fonctionne qu'avec les programmes **Mixed Loads** (Charges normales/mixtes), **Cottons** (Cotons), **Bulky Bedding** (Gros articles de literie), **Easy Care** (Entretien facile), **Delicates** (Tissus délicats) et **Speed Dry** (Séchage rapide).

5 Température de séchage

Vous pouvez modifier la température du programme de séchage.

Élevée	Pour les cotons sales à très sales.
Moyenne	Pour les tissus synthétiques, les tissus en polyester/coton et les articles étiquetés pour le pressage permanent.
Basse	Pour les tissus délicats, les tissus synthétiques et les articles étiquetés pour le séchage par culboute à faible température.
Très basse	Pour la lingerie et les tissus fragiles.

6 Start (Départ)

Appuyez pour commencer un cycle de séchage. Si le séchage est en cours, appuyez une fois sur ce bouton et le séchage sera mis en pause. Appuyez à nouveau sur le bouton pour recommencer le programme de séchage.

7 Message « NETTOYEZ LE FILTRE À CHARPIE »

(Ce message constitue un rappel seulement et **ne** s'affiche **pas** tousjours lorsque le filtre à charpie doit être nettoyé. Le filtre doit être nettoyé après chaque cycle de séchage.)
Ce message disparaît après que vous avez appuyé sur le bouton **Start** (Départ). Si vous avez déjà nettoyé le filtre avant ou après avoir appuyé sur le bouton **Power** (Alimentation), le message « **CLEAN LINT FILTER** » (Nettoyez le filtre à charpie) s'affiche jusqu'à ce que le bouton **Start** (Départ) soit appuyé.

À propos du tableau de commande de la sècheuse. www.electromenagersge.ca

1 Alimantation

Appuyez pour activer l'affichage. Si l'affichage est activé, appuyez-le pour mettre la sècheuse en attente.

REMARQUE : En appuyant sur **Power** (Alimentation), l'alimentation électrique de l'appareil n'est pas coupée.

2 Programmes de séchage

Le programme de séchage permet de contrôler la durée et la vitesse du culbutage pendant le séchage. Le tableau ci-dessous vous aidera à faire correspondre le programme de séchage à la charge.

Programmes par capteur	Description
Mixed Loads (Charges mixtes)	Pour les charges contenant des articles en coton et en polyester/coton.
Cottons (Cottons)	Pour les cotons et la plupart des draps. Les modèles Energy Star® sont testés avec le réglage par défaut à Cottons (Cottons).
Delicates (Déliçats)	Pour la lingerie et les tissus fragiles.
Speed Dry (Séchage rapide)	Pour les petits volumes de linge, dont on a rapidement besoin, comme les tenues de sport ou les uniformes d'école. Peut également être utilisé si du linge est encore humide après un autre programme (cols ou ceintures par exemple).
DeWrinkle	Fournit 20 minutes de séchage pour faciliter le dépliage des articles secs ou légèrement humides. Ce cycle n'est pas recommandé pour les tissus délicats.

Timed Dry Cycles (Séchage minute)

Description

Air Fluff/No Heat
(Duvetage à l'air/Sans chauffage)

Utilisez cette fonction pour le culbutage sans chaleur

3 Time Dry (Séchage minute)

Utilisez cette fonction pour régler votre propre durée de séchage. **Time Dry** (Séchage minute) est également recommandé pour les petites charges

Pour utiliser **Time Dry** (Séchage minute) :

1. Tournez le bouton de sélection du programme de séchage vers **Time Dry** (Séchage minute).
2. Augmentez le temps de séchage en appuyant sur le bouton **Time Dry**.

Remarque : Ce bouton augmente la durée. Une fois la durée maximale atteinte, appuyez à nouveau sur le bouton pour réinitialiser le compteur

3. Sélectionnez la **TEMP. (Température)**.

4. Fermez la porte.

5. Appuyez sur **Start (Départ)**

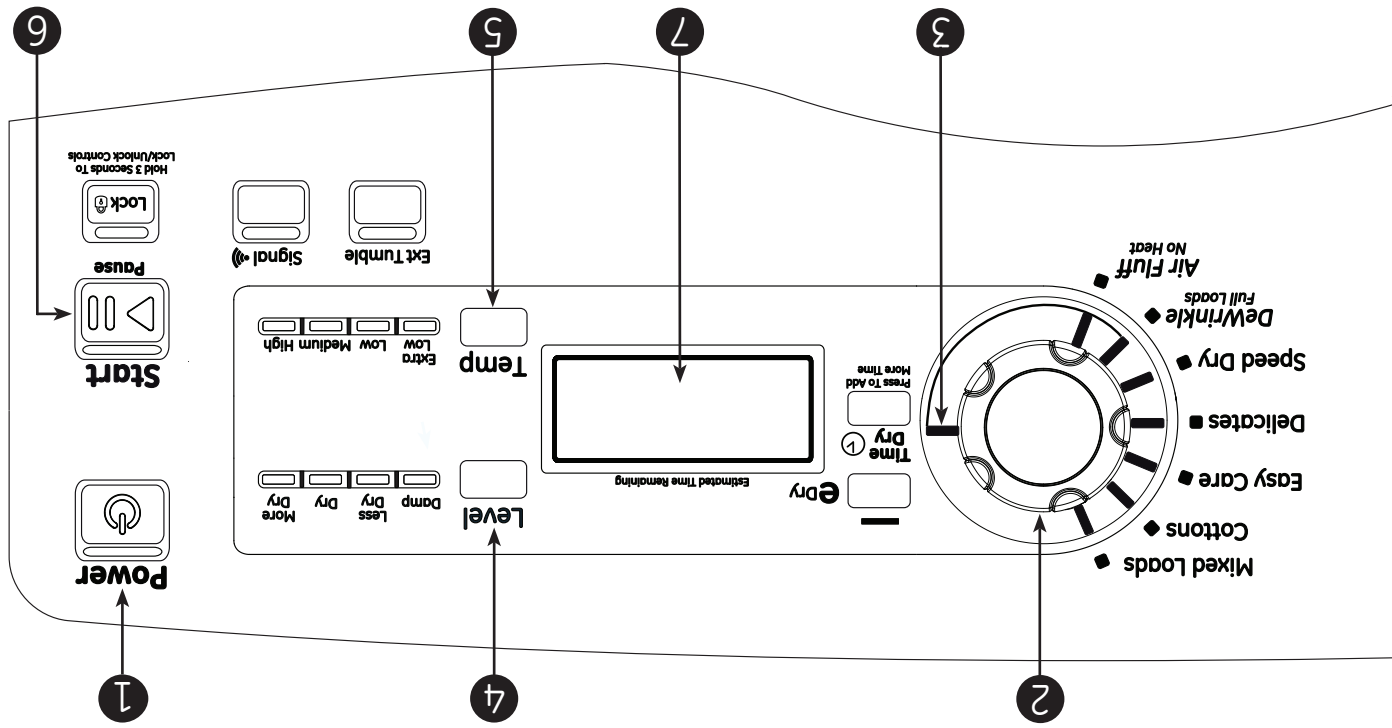
À propos du tableau de commande de la sècheuse.

⚠ AVERTISSEMENT!

Pour réduire les risques d'incendie, de choc électrique ou de blessures, veuillez lire les CONSIGNES DE SÉCURITÉ IMPORTANTES avant de faire fonctionner cet appareil.

Les caractéristiques et l'apparence de la sècheuse montrée dans ce manuel peuvent varier selon le modèle.

Votre numéro de modèle est indiqué dans le haut, à l'intérieur de la porte.

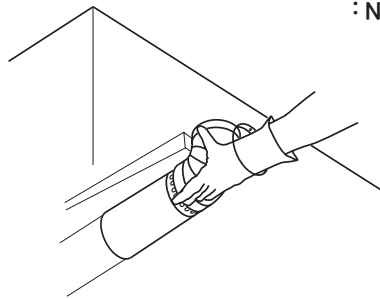


**ÉVACUATION PAR LE CÔTÉ GAUCHE
OU DROIT OU PAR LE DESSOUS DE LA
SÈCHEUSE**

- Insérez le coude par l'ouverture à l'arrière de l'appareil, et raccordez-le au conduit interne de la sècheuse.

- Appliquez du ruban gommé pour conduit sur le joint entre le conduit interne de la sècheuse et le coude, comme illustré à la

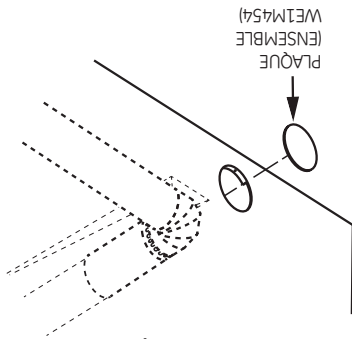
page 7.



ATTENTION :

Les joints du conduit interne doivent être scellés au moyen de ruban gommé pour conduit. Sinon, ils peuvent se séparer et présenter un risque pour la sécurité.

**INSTALLATION D'UNE PLAQUE
D'OBTURATION À L'ARRIÈRE DE
L'APPAREIL (ÉVACUATION PAR LES
CÔTÉS ET LE DESSOUS)**



Raccordez les coudes et les conduits en métal pour terminer le système d'évacuation. Recouvrez l'ouverture à l'arrière à l'aide d'une plaque d'obturation (ensemble WE1M454) que vous pouvez vous procurer auprès de votre réparateur. Installez la sècheuse à son emplacement final.

**AVERTISSEMENT - NE LAISSEZ JAMAIS
L'OUVERTURE NON RECOUVERTE À
L'ARRIÈRE DE L'APPAREIL. (ENSEMBLE WE1M454)**

**AVERTISSEMENT - IDENTIFIEZ TOUS
LES FILS AVANT DE LES DÉBRANCHER
POUR RÉPARER LES COMMANDES
DE L'APPAREIL. UNE ERREUR DE
BRANCHEMENT DES FILS PEUT
PROVOQUER UN FONCTIONNEMENT
INADÉQUAT ET DANGEREUX APRÈS LA
RÉPARATION OU L'INSTALLATION.**

14 RÉPARATION

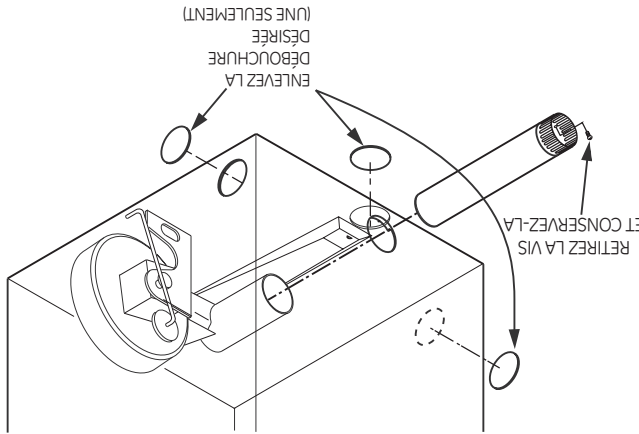
Pour connaître les numéros de téléphone pour obtenir des pièces de rechange ou autres renseignements, consultez la section du Service à la clientèle.

13 INSTALLATION AU GARAGE RÉSIDENTIEL

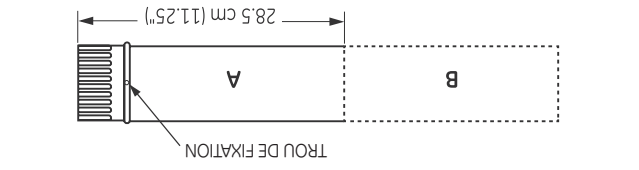
Les sècheuses installées dans garages résidentiels doivent être élevée 18 pouces (46 cm) au niveau du sol.

12 EVACUATION PAR LE CÔTÉ GAUCHE OU DROIT OU PAR LE DESSOUS DE LA SÈCHEUSE

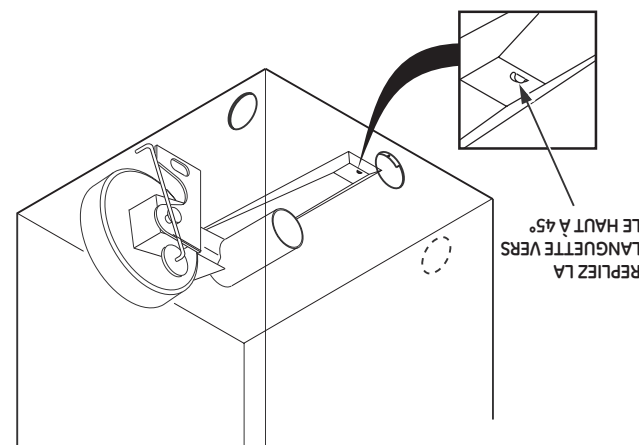
AVERTISSEMENT - PROTÈGEZ VOS MAINS ET VOS BRAS DES BORDS TRANCHANTS LORSQUE VOUS TRAVAILLEZ À L'INTÉRIEUR DE L'APPAREIL. PORTEZ DES GANTS.



Déterminez et enlevez la débouchure inférieure, droite ou gauche. Retirez la vis à l'intérieur du conduit d'évacuation de la sécheuse. Recouvrez les bords tranchants autour de l'entrée défonçable et de l'ouverture d'évacuation avec du ruban gommé.

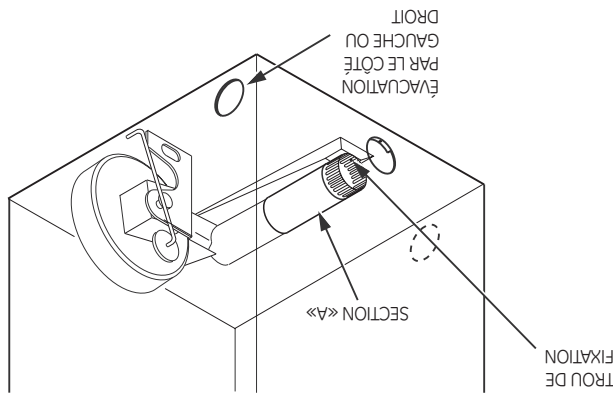


Coupez le conduit de la façon illustrée, et conservez la section A.



Par l'ouverture arrière, repérez la languette au milieu de la base de la sécheuse. Repliez la languette vers le haut à 45° environ à l'aide d'un tournevis à embout plat.

AJOUT D'UNE SECTION DE CONDUIT

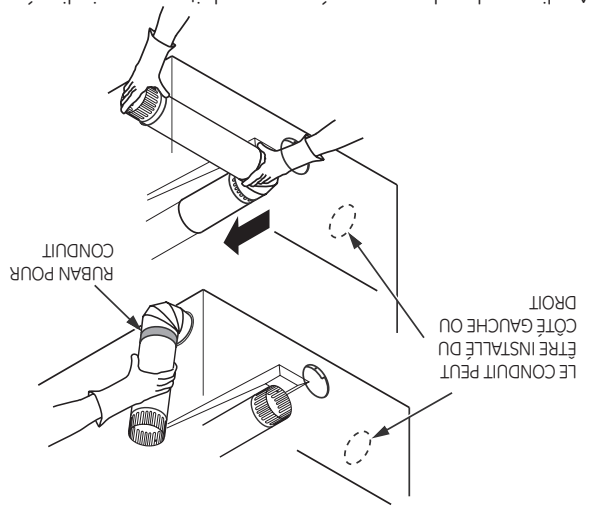


Raccordez la section coupée de conduit (A) au boîtier du ventilateur. Assurez-vous que la section de conduit est placée vis-à-vis de la languette dans la base de l'appareil. À l'aide de la vis que vous avez conservée, fixez le conduit en vissant la vis dans la languette de la base de la sécheuse.

AJOUT D'UN COUDE ET D'UNE SECTION DE CONDUIT POUR L'ÉVACUATION PAR LE CÔTÉ GAUCHE OU DROIT DE LA SÈCHEUSE

- Assemblez au préalable une section de conduit de 10 cm (4 po) à un coude de 10 cm (4 po). Scellez le joint à l'aide de ruban gommé pour conduit.
- Insérez le conduit assemblé, le coude en premier, dans l'ouverture latérale et raccordez le coude au conduit interne de la sécheuse.

ATTENTION : Faites attention de ne pas tirer ou endommager les fils électriques à l'intérieur de la sécheuse lorsque vous insérez le conduit.



- Appliquez du ruban gommé pour conduit, comme indiqué dans l'illustration, sur le joint entre le conduit interne et le coude.

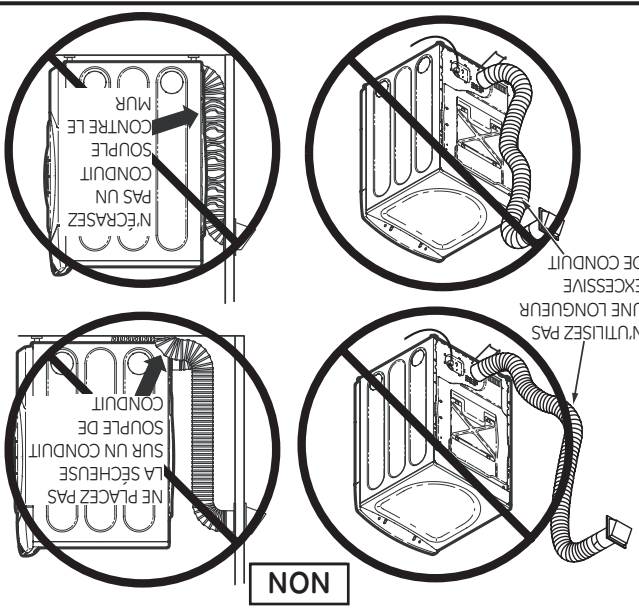
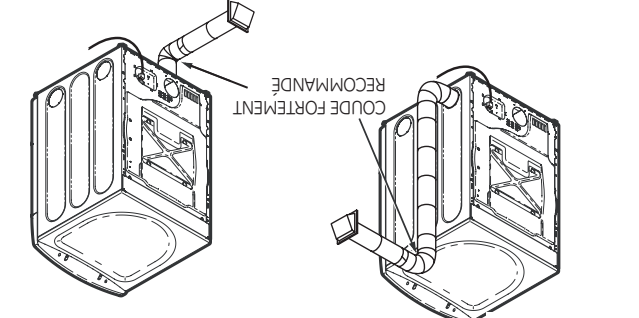
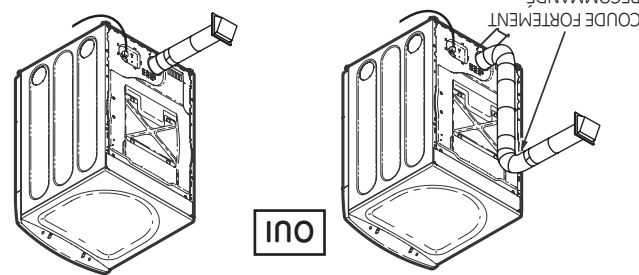
ATTENTION : Les joints du conduit interne doivent être scellés à l'aide de ruban gommé. Sinon, ils peuvent se séparer et présenter un risque pour la sécurité.

Directives d'installation / Sècheuse à gaz

UTILISATION D'UN CONDUIT SOUPLE EN MÉTAL

Si vous ne pouvez utiliser un conduit rigide entièrement en métal, vous pouvez alors employer un conduit souple entièrement en métal, mais cela aura pour effet de diminuer la longueur maximale de conduit recommandée. Dans le cas d'installations spéciales, lorsqu'il est impossible d'utiliser un conduit entièrement en métal, vous pouvez employer un conduit de transition souple en métal homologué par l'UL pour les sècheuses entre la sècheuse et le raccord au mur seulement. L'utilisation de ce type de conduit allongera les durées de séchage.

- Si vous devez utiliser un conduit de transition souple en métal, suivez les directives ci-dessous.
- Utilisez la longueur la plus courte possible.
- Étirez le conduit à sa longueur maximale afin d'éviter la formation de plis.
- Évitez d'écraser le conduit.
- Sortez le support de protection du conduit d'évacuation, comme expliqué à l'étape 1.
- N'installez jamais un conduit de transition à l'intérieur du mur ou de la sècheuse.
- Évitez de placer le conduit sur des objets tranchants.
- Le système d'évacuation doit être conforme aux codes du bâtiment locaux.



ÉVACUATION

UNE SÈCHEUSE PRODUIT DE LA CHARPIE COMBUSTIBLE. DANS TOUTS LES CAS D'INSTALLATION, LA SÈCHEUSE DOIT ÊTRE RACCORDÉE À UN CONDUIT D'ÉVACUATION DONNANT SUR L'EXTÉRIEUR.

REMARQUE : L'AIR D'UNE SÈCHEUSE INSTALLÉE DANS UNE MAISON MOBILE, UNE CHAMBRE À COUCHER, UNE SALLE DE BAIN, UNE ALCÔVE OU UN PLACARD DOIT ÊTRE ÉVACUÉ À L'EXTÉRIEUR.

9 INSTALLATION DANS UNE ALCÔVE OU UN PLACARD

- Si votre sècheuse est conçue pour être installée dans une alcôve ou un placard, cela sera indiqué sur une étiquette apposée sur le panneau arrière de la sècheuse.
- L'air de la sècheuse DOIT être évacué à l'extérieur. Reportez-vous aux points 3 et 4 de la section ÉVACUATION DE L'AIR.
- Les dégagements minimaux entre la sècheuse et les murs adjacents ou autres surfaces sont les suivants :
 - 0 cm (0 po) de chaque côté
 - 7,6 cm (3 po) à l'avant et à l'arrière
- Le dégagement vertical minimum entre le plancher et les armoires, le plafond, etc., doit être de 109 cm (43 po) sans socle, et de 140 cm (55 po) avec socle.
- Les portes du placard doivent être pourvues de persiennes ou autre dispositif d'aération équivalant à une ouverture de 387 cm² (60 po²) répartie de façon égale. Si une sècheuse et une loueuse sont installées dans le placard, les portes doivent être pourvues d'un dispositif d'aération équivalant à une ouverture de 774 cm² (120 po²) répartie de façon égale.

LORSQUE LE CONDUIT D'ÉVACUATION EST INSTALLÉ À L'ARRIÈRE DE LA SÈCHEUSE, IL FAUT PRÉVOIR UN DÉGAGEMENT MINIMUM DE 14 CM (5,5 PO) ENTRE L'APPAREIL ET LE MUR.

10 BAIN OU UNE CHAMBRE À COUCHER

- L'air de la sècheuse DOIT être évacué à l'extérieur. Reportez-vous aux points 3 et 4 de la section ÉVACUATION DE L'AIR.
- L'installation doit être conforme à tous les codes locaux en vigueur ou, en l'absence de codes locaux, au CODE NATIONAL DE L'ÉLECTRICITÉ, ANS/NFPA n° 70.

11 INSTALLATION DANS UNE MAISON MOBILE OU PRÉ-FABRIQUÉE

- L'installation doit être conforme aux Codes d'installation dans les maisons mobiles CAN/CSA série Z240 MH.
- L'air de la sècheuse DOIT être évacué à l'extérieur au moyen d'un évent solidement fixé à la structure de la maison mobile (reportez-vous au points 6 de la section ÉVACUATION DE L'AIR).
- L'air de la sècheuse NE DOIT PAS être évacué sous une maison mobile ou pré-fabriquée.
- Le conduit de l'évent DOIT être fabriqué en MÉTAL.
- Il FAUT utiliser l'ENSEMBLE 14-D-346-33 pour fixer solidement la sècheuse à la structure de la maison.
- Le conduit d'évacuation NE DOIT PAS être raccordé à un autre conduit, à un système de ventilation ou à une cheminée.
- N'utilisez pas de vis à métaux ou autres dispositifs similaires qui pénétreraient à l'intérieur du conduit d'évacuation.
- Prévoyez une ouverture et une zone libre d'au moins 16,1 cm² (25 po²) pour l'arrivée du conduit d'évacuation vers l'extérieur dans la pièce de la sècheuse.

7 RACCORDEMENT DU CONDUIT D'ÉVACUATION

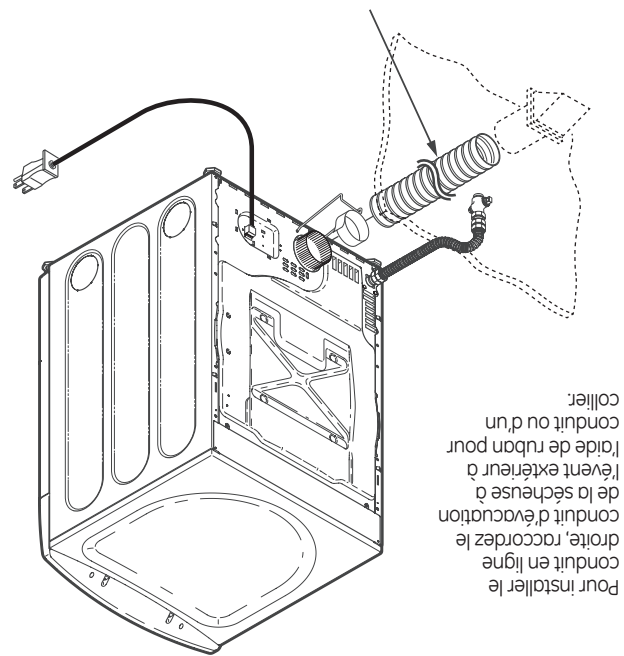
⚠ AVERTISSEMENT - POUR RÉDUIRE LES RISQUES D'INCENDIE OU DE BLESSURES :

- L'air de cette sécheuse doit être évacué à l'extérieur.
- N'utilisez qu'un conduit en métal seulement.
- Ne faites pas évacuer l'air de la sécheuse dans une cheminée, dans un conduit d'évacuation des gaz brûlés, sous un plancher (vide sanitaire) ou dans un grenier.
- L'accumulation de charpie pourrait présenter un risque d'incendie.
- Prévoyez un accès pour l'inspection et le nettoyage du système d'évacuation, plus particulièrement au niveau des coudes.
- Inspectez et nettoyez le système au moins une fois par année.
- Ne faites jamais évacuer l'air de la sécheuse dans le conduit d'évacuation d'une hotte de cuisine. Le mélange de charpie et de graisse pourrait présenter un risque d'incendie.
- N'entrez pas la circulation de l'air qui entre dans la sécheuse ou qui en est évacuée.

NOUS VOUS RECOMMANDONS D'INSTALLER VOTRE SÉCHEUSE AVANT VOTRE LAVUSE AFIN DE FACILITER L'ACCÈS POUR LE RACCORDEMENT DU CONDUIT D'ÉVACUATION.

CETTE SÉCHEUSE A ÉTÉ PRÉPARÉE EN VUE D'UNE ÉVACUATION PAR L'ARRIÈRE. SI L'ESPACE EST LIMITÉ, SUIVÉZ LES DIRECTIVES DE LA SECTION 12 POUR EFFECTUER L'ÉVACUATION PAR L'UN DES CÔTÉS OU LE DESSOUS DE L'APPAREIL.

ÉVACUATION STANDARD PAR L'ARRIÈRE

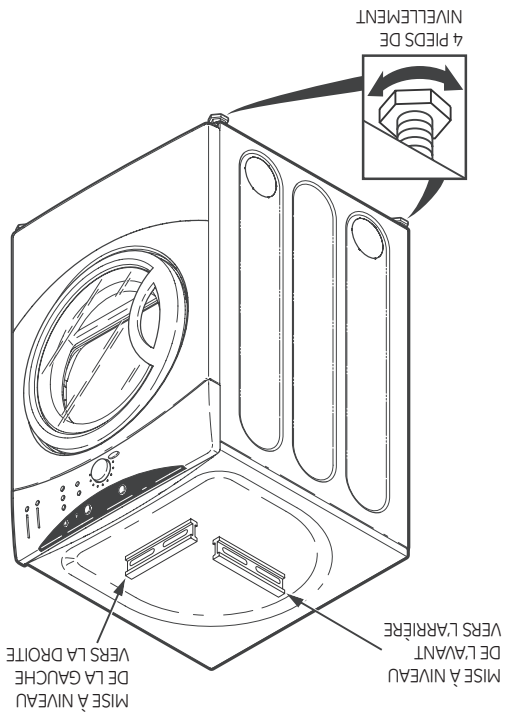


REMARQUE : NOUS VOUS RECOMMANDONS FORTEMENT D'UTILISER UN CONDUIT D'ÉVACUATION EN MÉTAL RIGIDE. CEPENDANT, SI VOUS UTILISEZ UN CONDUIT SOUPLE, COUPEZ-LE À LA LONGUEUR APPROPRIÉE ET ÉVITEZ D'ÉCRASSER LE CONDUIT À L'ARRIÈRE DE LA SÉCHEUSE.

Pour installer le conduit en ligne droite, raccordez le conduit d'évacuation de la sécheuse à l'évent extérieur à l'aide de ruban pour coller conduit ou d'un

5 MISE À NIVEAU ET STABILISATION DE VOTRE SÉCHEUSE

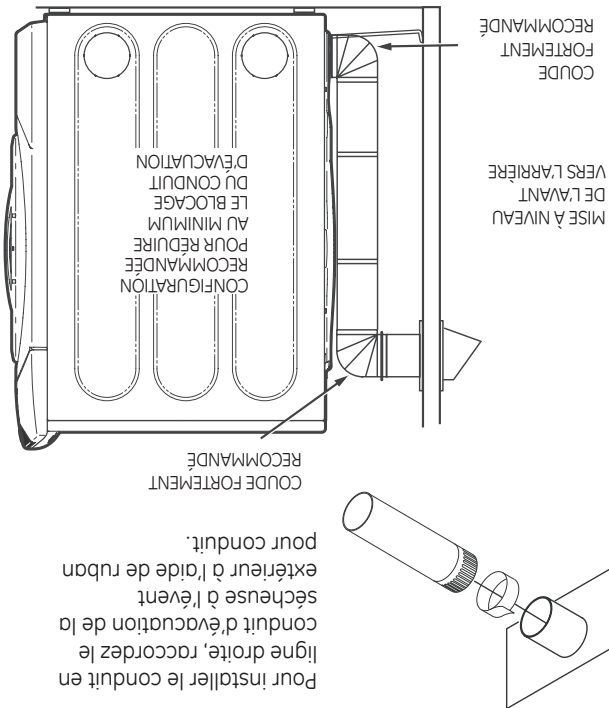
Placez la sécheuse à proximité de son emplacement final, et réglez les 4 pieds de nivellement dans les 4 coins pour vous assurer que la sécheuse est à niveau de la gauche vers la droite, et de l'avant vers l'arrière.



MISE À NIVEAU DE LA GAUCHE VERS LA DROITE
MISE À NIVEAU DE L'AVANT VERS L'ARRIÈRE

4 PIEDS DE NIVELLEMENT

REMARQUE : LES COUDES EMPÊCHENT L'ÉCRASSEMENT ET L'AFFAISSEMENT DU CONDUIT.



Pour installer le conduit en ligne droite, raccordez le conduit d'évacuation de la sécheuse à l'évent extérieur à l'aide de ruban pour conduit.

COUDE FORTEMENT RECOMMANDÉ

CONFIGURATION RECOMMANDÉE POUR RÉDUIRE AU MINIMUM LE BLOCAGE DU CONDUIT D'ÉVACUATION

COUDE FORTEMENT RECOMMANDÉ

MISE À NIVEAU DE L'AVANT VERS L'ARRIÈRE

5 RACCORDEMENT ÉLECTRIQUE

AVERTISSEMENT - POUR RÉDUIRE LES RISQUES D'INCENDIE, DE CHOCS ÉLECTRIQUES ET DE BLESSURES :

N'UTILISEZ PAS DE RALLONGE ÉLECTRIQUE OU DE FICHE D'ADAPTATION AVEC CET APPAREIL.

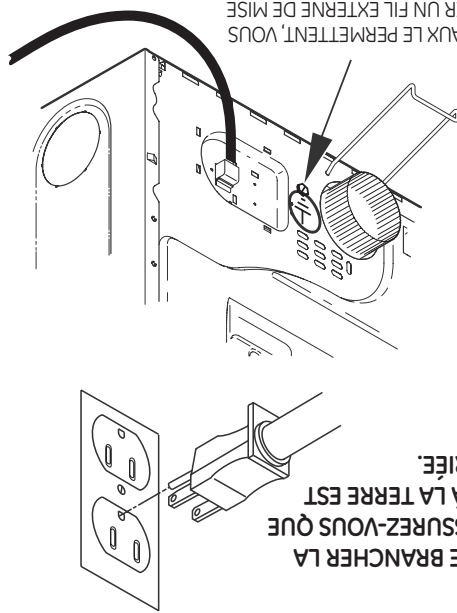
La sècheuse doit être mise à la terre en conformité avec les codes locaux, en conformité avec la norme C22.1 de l'ACNOR, à la Partie 1 du Code canadien de l'électricité.

ALIMENTATION ÉLECTRIQUE

Cette sècheuse doit être branchée à un circuit adéquatement mis à la terre de 120 V et 60 Hz, protégé par un disjoncteur ou un fusible à retardement de 15 ou 20 ampères. Si l'alimentation électrique ne répond pas à ces conditions, nous vous recommandons de faire installer une prise de courant approuvée par un électricien agréé.

AVERTISSEMENT - CETTE SÈCHEUSE POSSÈDE UNE FICHE À TROIS BROCHES (MISE À LA TERRE) POUR PLUS DE PROTECTION CONTRE LES CHOCS ÉLECTRIQUES. ELLE DOIT ÊTRE BRANCHÉE DIRECTEMENT DANS UNE PRISE DE COURANT À TROIS ALVÈLES, ADÉQUATEMENT MISE À LA TERRE. L'INSTALLATION DOIT ÊTRE CONFORME À LA NORME C22.1 DE L'ACNOR, À LA PARTIE 1 DU CODE CANADIEN DE L'ÉLECTRICITÉ OU AUX CODES LOCAUX EN VIGUEUR. NE COUPEZ PAS OU N'ENLEVEZ PAS LA BROCHE RONDE DE MISE À LA TERRE DE CETTE FICHE.

AVANT DE BRANCHER LA FICHE, ASSUREZ-VOUS QUE LA MISE À LA TERRE EST APPROPRIÉE.



SI LES CODES LOCAUX LE PERMETTENT, VOUS POUVEZ BRANCHER UN FIL EXTERNE DE MISE À LA TERRE (NON FOURNI), RÉPONDANT AUX EXIGENCES DES CODES LOCAUX, ENTRE LA VIS VERTE DE MISE À LA TERRE À L'ARRIÈRE DE LA SÈCHEUSE ET UNE CONDUITE MÉTALLIQUE D'EAU FROIDE MISE À LA TERRE OU TOUT AUTRE SYSTÈME DE MISE À LA TERRE ÉTABLI.

6 ÉVACUATION DE L'AIR

AVERTISSEMENT - N'UTILISEZ QU'UN CONDUIT EN MÉTAL DE 10 CM (4 PO) SEULEMENT. N'UTILISEZ PAS UN CONDUIT PLUS LONG QUE CELUI INDiqué DANS LE TABLEAU DE LA LONGUEUR DES CONDUITS D'ÉVACUATION.

L'utilisation d'un conduit plus long que celui recommandé : Augmentera la durée du séchage et les frais d'énergie. Réduira la durée de vie utile de la sècheuse. Favorisera l'accumulation de charpie, créant un risque d'incendie. **VOUS AVEZ LA RESPONSABILITÉ D'INSTALLER LE CONDUIT D'ÉVACUATION APPROPRIÉ. Les problèmes attribuables à une installation incorrecte ne sont pas couverts par la garantie.**

La longueur MAXIMALE PERMISE du conduit d'évacuation dépend du type de conduit, du nombre de coudes, du type d'événement mural employé et de toutes les conditions indiquées ci-dessous. Le tableau qui suit indique les longueurs recommandées pour les conduits en métal souple et rigide.

LONGUEUR DES CONDUITS D'ÉVACUATION LONGUEUR MAXIMALE RECOMMANDÉE

Types d'événement		Utilisation pour les conduits courts seulement	
Rigide en métal	Souple en métal	Rigide en métal	Souple en métal
0	1	1	1
18,3 m (60 pi)	27,4 m (90 pi)	18,3 m (60 pi)	27,4 m (90 pi)
13,7 m (45 pi)	16,8 m (55 pi)	13,7 m (45 pi)	16,8 m (55 pi)
9,1 m (30 pi)	12,2 m (40 pi)	9,1 m (30 pi)	12,2 m (40 pi)
6,1 m (20 pi)	9,1 m (30 pi)	6,1 m (20 pi)	9,1 m (30 pi)
4,6 m (15 pi)	6,1 m (20 pi)	4,6 m (15 pi)	6,1 m (20 pi)
3,0 m (10 pi)	4,6 m (15 pi)	3,0 m (10 pi)	4,6 m (15 pi)

LISTE DE CONTRÔLE DU SYSTÈME D'ÉVACUATION

Si vous utilisez un conduit souple en métal, reportez-vous à la page 18.

ÉVÉNEMENT MURAL

- Installez un évènement de manière à empêcher les retours d'air dans l'appareil ou l'entrée d'oiseaux ou autres animaux.
- L'évènement utilisé doit offrir une résistance minimale à l'air évacué et n'exiger qu'un minimum d'entretien pour empêcher l'obstruction.
- N'installez jamais une grille à l'intérieur ou par-dessus le conduit d'évacuation, augmentant le risque de feu. La grille pourrait provoquer l'accumulation de charpie.
- L'évènement mural doit être installé à au moins 30 cm (12 po) du sol ou de tout autre obstacle lorsque l'ouverture est orientée vers le bas.
- Si vous utilisez un évènement de toiture ou à volets, il doit présenter des caractéristiques adéquantes à celles d'un évènement mural à volée de 10 cm (4 po) en ce qui concerne la résistance à la circulation d'air, la prévention des retours d'air et l'entretien exigé pour éviter les obstructions.

LONGUEUR DE CONDUIT ENTRE LES COUDES

Pour un rendement optimal, prévoyez une longueur de conduit droit de 1,2 m (4 pi) entre chaque coude, y compris entre le dernier coude et l'évènement mural.

AUTRES TYPES DE COUDES

- Ne tenez pas compte d'un coude de 45° équivalent à un coude de 90°.
- 2 coudes de 45° équivalent à un coude de 90°.
- Chaque coude de plus de 45° équivaut à un coude de 90°.

SCÉLÈMENT DES JOINTS

- Tous les joints doivent être étanches pour éviter les fuites d'air. L'extrémité mâle de chaque section de conduit doit être orientée en sens contraire par rapport à la sècheuse.
- N'assemblez pas les sections de conduit avec des vis qui dépassent à l'intérieur du conduit. Celles-ci risquent de créer des points d'accumulation de charpie.
- Assurez l'étanchéité à l'air et à l'humidité des conduits en recouvrant les joints de ruban gomme pour conduit.
- Les longueurs horizontales de conduit doivent avoir une pente descendante vers l'extérieur, à raison de 1,2 cm (1/2 po) par 30 cm (12 po).

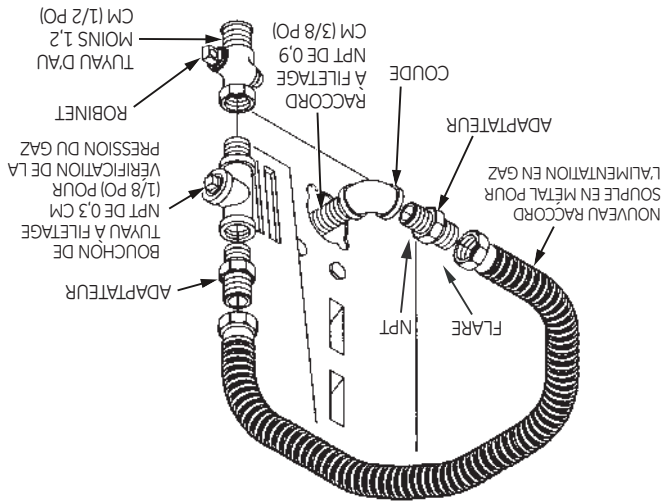
ISOLATION

- Les conduits qui traversent une zone non chauffée ou qui se trouvent à proximité d'un conduit de climatisation doivent être isolés afin de réduire la condensation et l'accumulation de charpie.

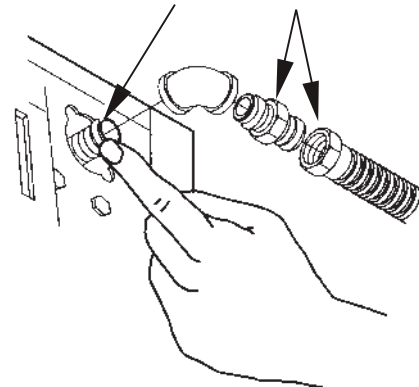
16

3 RÉTABLISSMENT DE L'ALIMENTATION EN GAZ

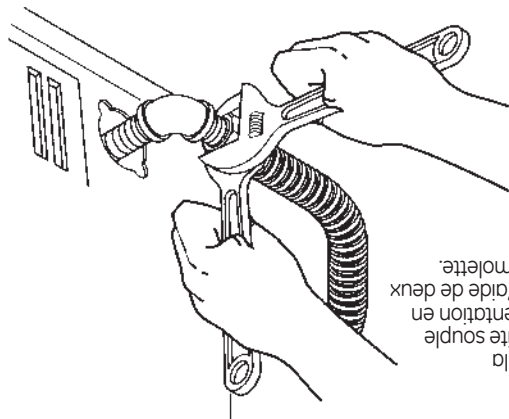
Raccord enregistré ANSI Z21.24 / CSA 6.10



Note: Utiliser des nouveaux connecteurs seulement. Ne pas réutiliser des connecteurs d'un autre appareil ou d'une ancienne installation. Attention: Ne pas utiliser les écrous du connecteur flexibles directement sur les filets du tuyaux de la sècheuse et de la maison. Utiliser toujours des adaptateurs appropriés et approuvés soit évases - filet à tuyaux (flare-NPT). Tenir les parties coniques des adaptateurs propres et libres de toutes saletés, traces de graisse, d'huile ou de pâte d'étanchéité pour filets.



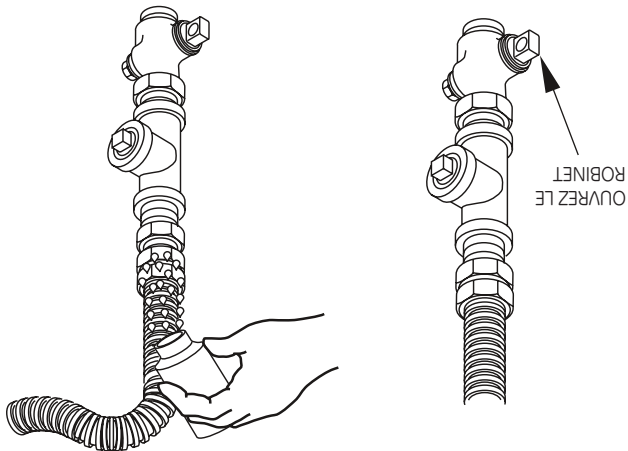
APPLIQUÉZ DE LA PÂTE LUBRIFIANTE SUR L'ADAPTATEUR ET L'ENTRÉE DE LA CONDUITE D'ALIMENTATION EN GAZ DE LA SÈCHEUSE.



Serrez la conduite souple d'alimentation en gaz à l'aide de deux clés à molette.

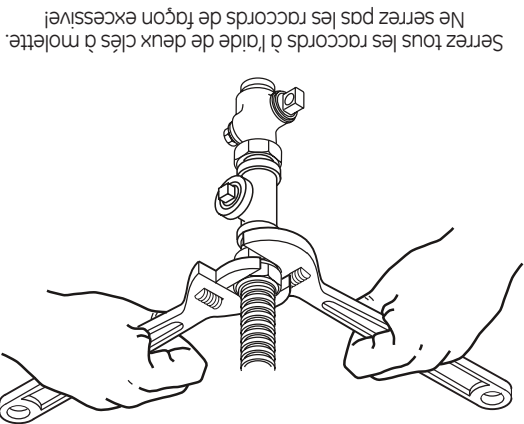
4 VÉRIFICATION DES FUITES

AVERTISSEMENT - N'UTILISEZ JAMAIS UNE FLAMME NUE POUR VÉRIFIER LES FUITES DE GAZ.

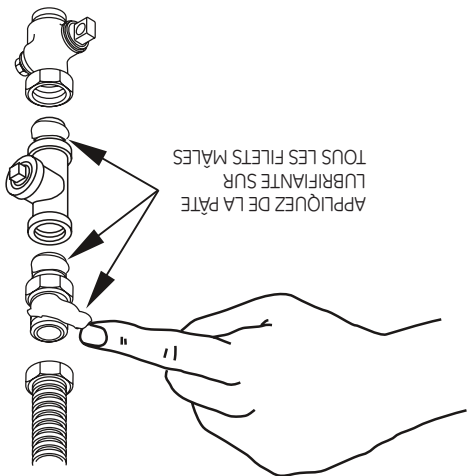


OUVREZ LE ROBINET

Vérifiez tous les raccords à l'aide d'une solution savonneuse ou l'équivalent pour voir s'ils présentent des fuites. Les solutions utilisées pour la vérification des fuites ne doivent pas contenir d'ammoniaque qui pourrait endommager les raccords ou les tuyaux en laiton. Si vous constatez une fuite, fermez le robinet, resserrez le raccord et effectuez à nouveau la vérification à l'aide de la solution savonneuse.



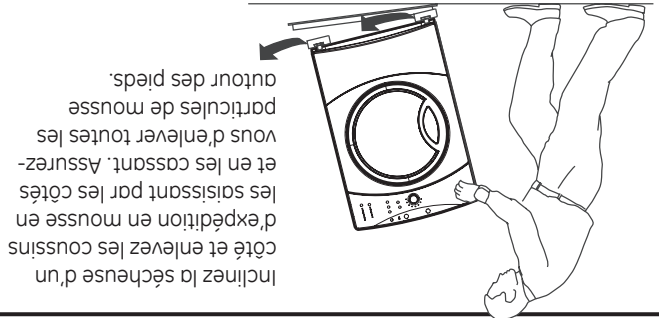
Serrez tous les raccords à l'aide de deux clés à molette. Ne serrez pas les raccords de façon excessive!



APPLIQUÉZ DE LA PÂTE LUBRIFIANTE SUR TOUS LES FILETS MÂLES

Directives d'installation / Sècheuse à gaz

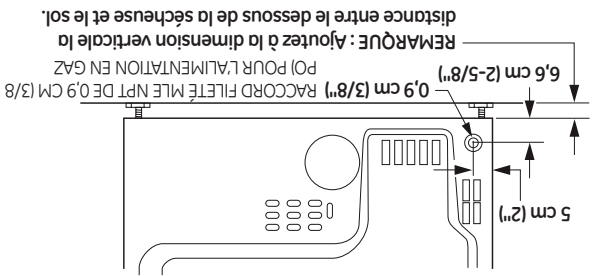
Dégagements minimums pour les installations autres que dans une alcôve ou un placard. Les dégagements minimums par rapport aux surfaces combustibles et pour l'ouverture d'aération sont les suivants : 0 cm (0 po) des deux côtés et 2,5 cm (1 po) à l'arrière. Il faut prévoir un dégagement adéquat pour l'installation et la réparation.



2 ALIMENTATION EN GAZ ⚠️ AVERTISSEMENT

- L'installation doit être conforme aux codes locaux et avec le code CAN/CGA-B149, Code d'installation au Gaz Naturel.
- Cette sècheuse à gaz est pourvue d'une électronique et d'un brûleur pour utilisation avec le gaz naturel seulement. À l'aide de la troussée de conversion **WE25M43**, votre réparateur peut transformer cette sècheuse en vue d'une alimentation au gaz propane.
- **TOUTES LES CONVERSIONS DOIVENT ÊTRE EFFECTUÉES PAR UNE PERSONNE FORMÉE ET QUALIFIÉE, ET CONFORMÉMENT À TOUS, OU EN ABSENCE DE CODES LOCAUX, AU CODE CAN/CGA-B149, CODE D'INSTALLATION AU GAZ NATUREL LES CODES ET RÈGLEMENTS LOCAUX EN VIGUEUR.**
- La sècheuse doit être isolée du système d'alimentation en gaz pendant toute vérification de pression du système d'alimentation en gaz lorsqu'on utilise une pression supérieure à 0,5 lb/po (3,4 kPa).

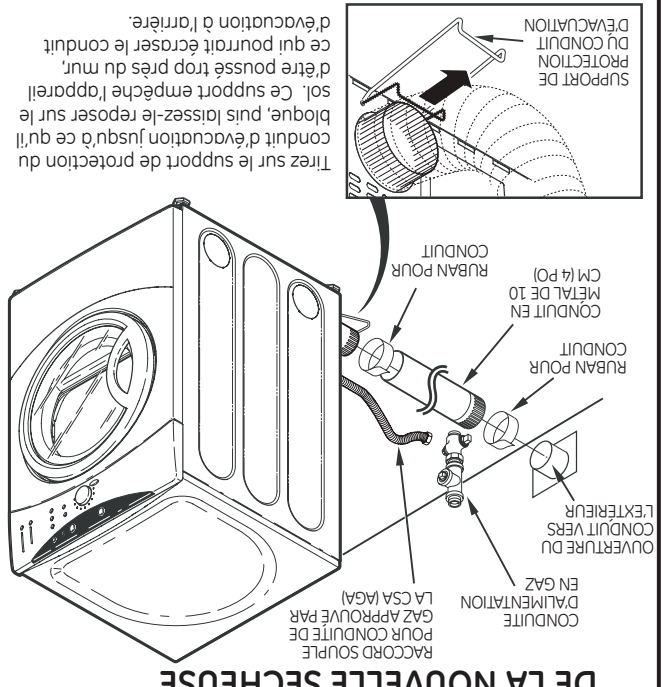
RACCORDEMENT À L'ALIMENTATION EN GAZ DE LA SÈCHEUSE



ALIMENTATION EN GAZ

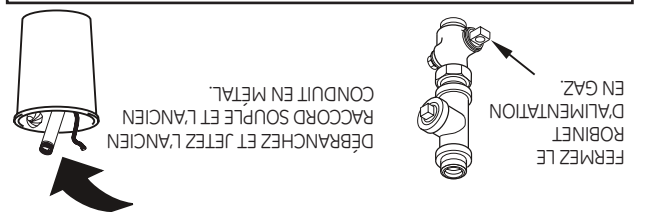
- Un robinet à filetage conique standard américain NPT de 0,3 cm (1/8 po), accessible pour le raccordement d'un manomètre, doit être installé en amont du raccord de la conduite de gaz à la sècheuse. Si vous avez des questions concernant l'installation du robinet, communiquez avec votre fournisseur de gaz.
- La conduite d'alimentation en gaz doit être constituée d'un tuyau rigide de 1,2 cm (1/2 po) pourvu d'un robinet accessible à moins de 2 m (6 pi) de la sècheuse et se trouvant dans la même pièce que la sècheuse.
- Appliquez de la pâte lubrifiante ou du ruban en Téflon conçus pour le gaz naturel ou propane.
- **Vous devez utiliser avec cette sècheuse un connecteur certifié selon la norme ANSI Z21.24 / CSA 6.10.**
- Branchez le raccord souple en métal à la sècheuse et à la conduite d'alimentation en gaz.
- **Ouvrez le robinet de la conduite.**

1 PRÉPARATION POUR L'INSTALLATION DE LA NOUVELLE SÈCHEUSE



CONSEIL : Installez votre sècheuse avant d'installer votre lavasse. Cela facilitera l'accès pour l'installation du conduit d'évacuation de la sècheuse.

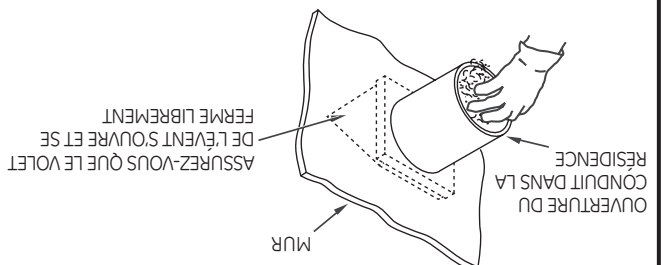
COUPURE DE L'ALIMENTATION EN GAZ



⚠️ AVERTISSEMENT - NE RÉUTILISEZ JAMAIS D'ANCIENS RACCORDS SOUPLES.

L'utilisation d'anciens raccords souples peut provoquer des fuites et causer des blessures. Utilisez toujours des raccords souples neufs lorsque vous installez des électroménagers à gaz.

ENLÈVEMENT DE LA CHARPIE DANS L'OUVREURE DU CONDUIT D'ÉVACUATION



SOCLES POUR SÈCHEUSE

(fournis avec des directives d'installation)
Modèles offerts: -SBSD227F
-SBSD137H
-SBSD107H

AVANT DE COMMENCER

Veillez lire attentivement toutes les directives qui suivent.

IMPORTANT - Conservez ces directives pour utilisation

éventuelle par l'inspecteur local.

IMPORTANT - Respectez tous les codes et règlements en

vigueur.

Note à l'installateur - Assurez-vous de laisser ces directives au

consommateur.

Note au consommateur - Gardez ces directives avec votre Guide

d'utilisation et d'entretien pour consultation éventuelle.

• L'air de cette sécheuse doit être évacué à l'extérieur.

• Inspectez la sortie d'évacuation de la sécheuse et redressez l'évent

mural s'il est déformé.

• Avant d'entreposer ou de jeter votre vieille sécheuse, retirez la

porte de l'appareil.

• Le schéma de câblage et les renseignements concernant la

réparation se trouvent à l'intérieur du tableau de commande.

• Ne laissez pas les enfants grimper sur l'appareil ou à l'intérieur de

celui-ci. Il faut exercer une étroite surveillance lorsque vous faites

fonctionner cet appareil en présence d'enfants.

AVERTISSEMENT!

POUR VOTRE SÉCURITÉ :

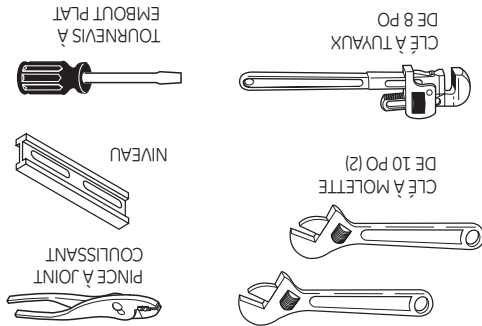
- N'utilisez qu'un conduit métallique rigide ou souple de 10 cm (4 po) de diamètre pour l'évacuation vers l'extérieur. N'utilisez jamais un conduit en plastique ou fabriqué avec tout autre matériau combustible facile à perforer.
- Cet appareil doit être adéquatement mis à la terre et installé conformément aux présentes directives.
- Vérifiez et soyez conforme aux exigences locales avant d'installer un appareil dans le garage.
- Installez la sécheuse dans une pièce où la température est supérieure à 10 °C (50 °F) pour assurer le bon fonctionnement des commandes de l'appareil.

REMARQUE : L'installation et la réparation de cette sécheuse

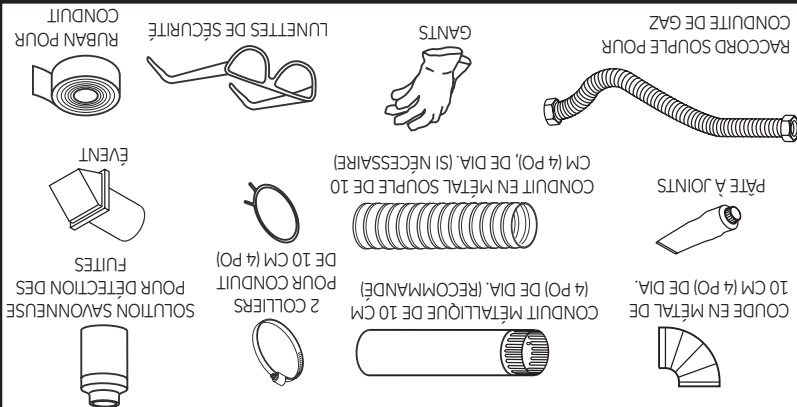
exigent des connaissances de base en mécanique et en électricité. Il vous incombe de communiquer avec un

installateur qualifié pour effectuer les raccordements électriques.

OUTILS NÉCESSAIRES



COMPOSANTES NÉCESSAIRES



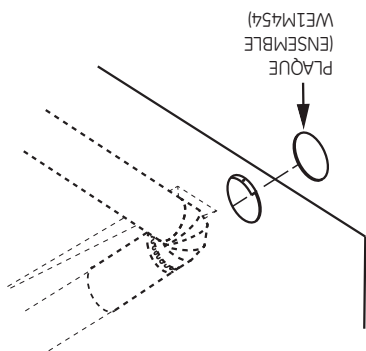
Étape 1 Vérifiez votre installation de gaz (voir la section 2).
Étape 2 Réparez l'emplacement et l'évacuation pour l'installation de la nouvelle sécheuse (voir la section 1).
Étape 3 Assurez-vous que le conduit d'évacuation externe actuellement en place est propre (voir la section 1) et qu'il répond aux exigences des directives d'installation qui suivent (voir la section 6).
Étape 4 Enlevez les coussins d'expédition en mousse (voir la section 1).
Étape 5 Amenez la sécheuse à l'endroit désiré.Étape 6 Mettez votre sécheuse de niveau (voir la section 8).
Étape 7 Raccordez l'alimentation en gaz (voir la section 3) et vérifiez si elle présente des fuites (voir la section 4).
Étape 8 Raccordez le système d'évacuation vers l'extérieur (voir la section 7).

Étape 9 Branchez le cordon d'alimentation (voir la section 5).
Étape 10 Vérifiez le bon fonctionnement de l'alimentation électrique, du système d'alimentation en gaz et de l'évacuation.
Étape 11 Rangez le Guide d'utilisation et d'entretien et les Directives d'installation à un endroit où le propriétaire pourra facilement les trouver.

Pour une installation dans un placard ou une alcôve, voir la section 9.
Pour une installation dans une chambre à coucher ou une salle de bain, voir la section 10.
Pour une installation dans une maison mobile ou préfabriquée, voir la section 11.

AVERTISSEMENT - NE LAISSEZ JAMAIS L'OUVERTURE NON RECOUVERTE À L'ARRIÈRE DE L'APPAREIL. (ENSEMBLE WE1M454)

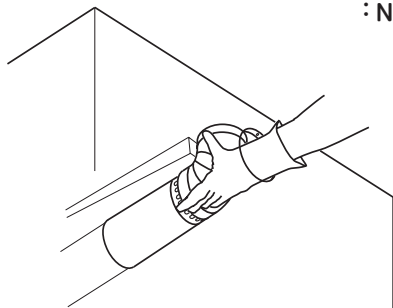
Raccordez les coudes et les conduits en métal pour terminer le système d'évacuation. Recouvrez l'ouverture à l'arrière à l'aide d'une plaque d'obturation (ensemble WE1M454) que vous pouvez vous procurer auprès de votre réparateur. Installez la sècheuse à son emplacement final.



INSTALLATION D'UNE PLAQUE D'OBTURATION À L'ARRIÈRE DE L'APPAREIL (ÉVACUATION PAR LES CÔTÉS ET LE DESSOUS)

Les joints du conduit interne doivent être scellés au moyen de ruban gommé pour conduit. Sinon, ils peuvent se séparer et présenter un risque pour la sécurité.

ATTENTION :



page 11.

ÉVACUATION PAR LE CÔTÉ GAUCHE OU DROIT OU PAR LE DESSOUS DE LA SÈCHEUSE

- Insérez le coude par l'ouverture à l'arrière de l'appareil, et raccordez-le au conduit interne de la sècheuse.
- Appliquez du ruban gommé pour conduit sur le joint entre le conduit interne de la sècheuse et le coude, comme illustré à la

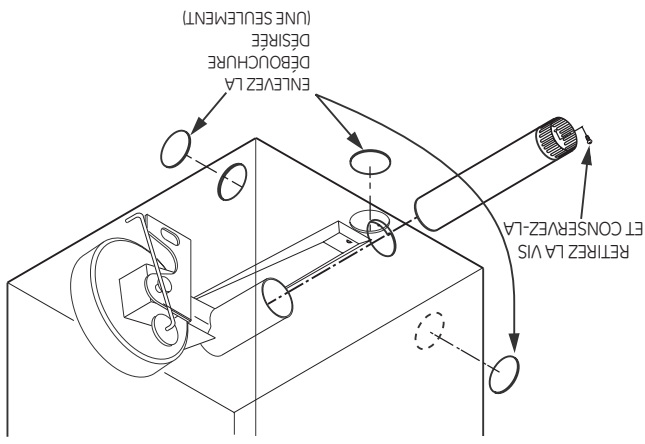
AVERTISSEMENT - IDENTIFIEZ TOUS LES FILS AVANT DE LES DEBRANCHER POUR RÉPARER LES COMMANDES DE L'APPAREIL. UNE ERREUR DE BRANCHEMENT DES FILS PEUT PROVOQUER UN FONCTIONNEMENT INADÉQUAT ET DANGEREUX APRÈS LA RÉPARATION OU L'INSTALLATION.

10 RÉPARATION

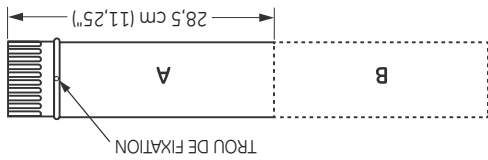
Pour connaître les numéros de téléphone pour obtenir des pièces de rechange ou autres renseignements, consultez votre Guide d'utilisation et d'entretien ou visitez notre site Web.

9 ÉVACUATION PAR LE CÔTÉ GAUCHE OU DROIT OU PAR LE DESSOUS DE LA SÈCHEUSE

AVERTISSEMENT - AVANT D'EFFECTUER L'INSTALLATION DE CE SYSTÈME D'ÉVACUATION, ASSUREZ-VOUS DE COUPER L'ALIMENTATION ÉLECTRIQUE À LA SÈCHEUSE. PROTÉGEZ VOS MAINS ET VOS BRAS DES BORDS TRANCHANTS LORSQUE VOUS TRAVAILLEZ À L'INTÉRIEUR DE L'APPAREIL. PORTEZ DES GANTS.

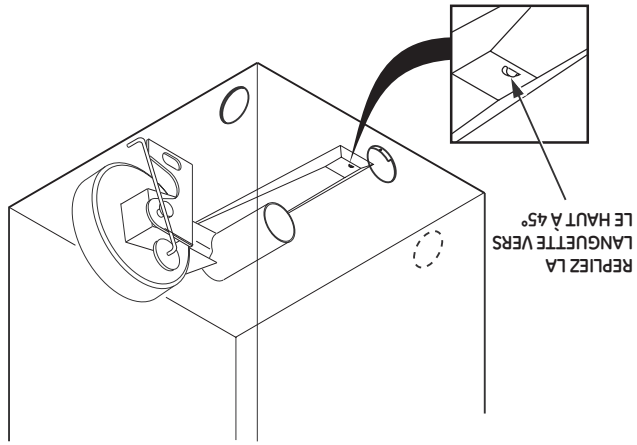


Défoncez et enlevez la débouchure inférieure, droite ou gauche. Retirez la vis à l'intérieur du conduit d'évacuation de la sècheuse et conservez-la. Tirez sur le conduit pour le sortir de la sècheuse.

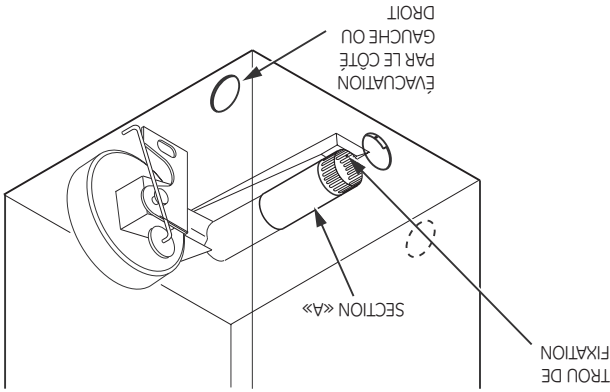


Coupez le conduit de la façon illustrée, et conservez la section A.

EMPLACEMENT DE LA LANGUETTE



AJOUT D'UNE SECTION DE CONDUIT

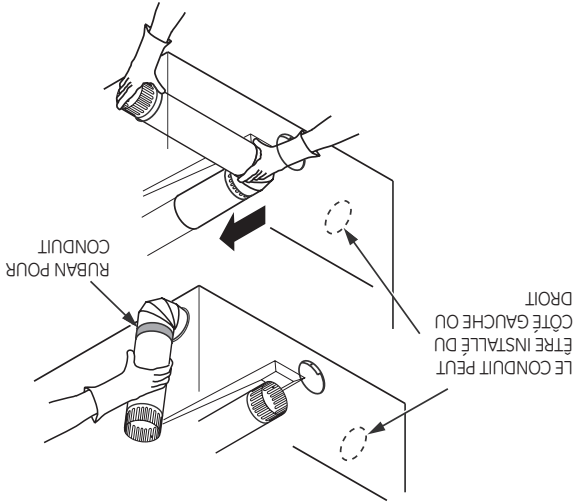


Raccordez la section coupée de conduit (A) au boîtier du ventilateur. Assurez-vous que la section de conduit est placée vis-à-vis de la languette dans la base de l'appareil. À l'aide de la vis que vous avez conservée, fixez le conduit en vissant la vis dans la languette de la base de la sècheuse.

AJOUT D'UN COUDE ET D'UNE SECTION DE CONDUIT POUR L'ÉVACUATION PAR LE CÔTÉ GAUCHE OU DROIT DE LA SÈCHEUSE

- Assemblez au préalable une section de conduit de 10 cm (4 po) à un coude de 10 cm (4 po). Scellez le joint à l'aide de ruban gommé pour conduit.
- Insérez le conduit assemblé, le coude en premier, dans l'ouverture latérale et raccordez le coude au conduit interne de la sècheuse.

ATTENTION : Faites attention de ne pas tirer ou endommager les fils électriques à l'intérieur de la sècheuse lorsque vous insérez le conduit.



- Appliquez du ruban gommé pour conduit, comme indiqué dans l'illustration, sur le joint entre le conduit interne et le coude.

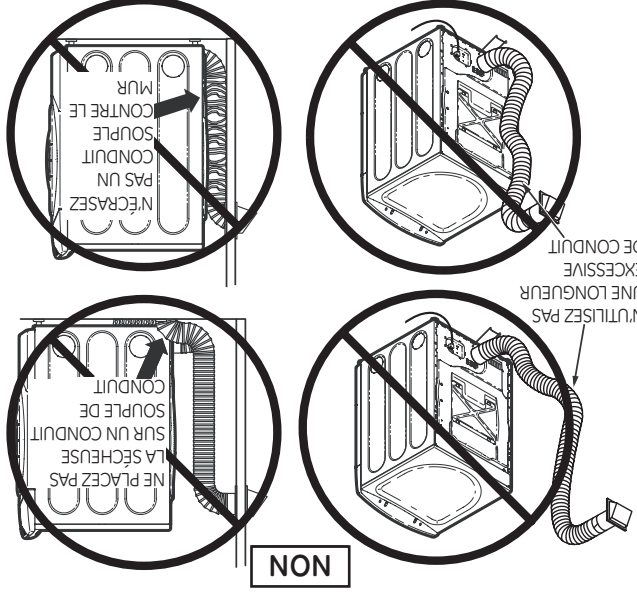
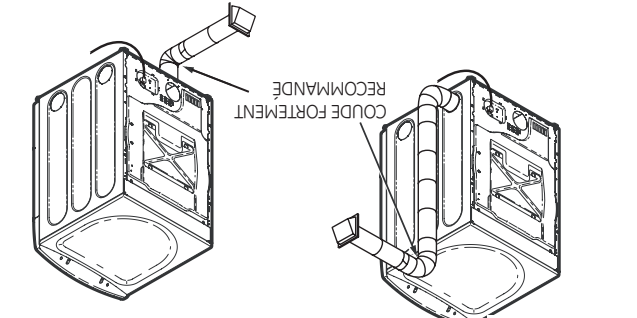
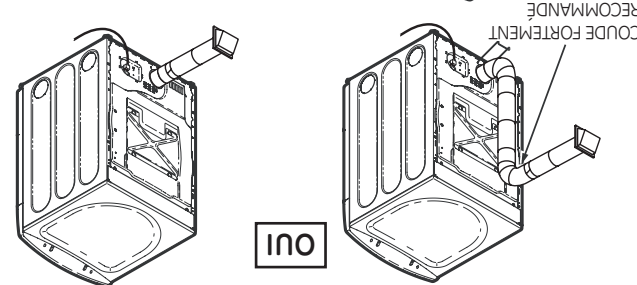
ATTENTION : Les joints du conduit interne doivent être scellés à l'aide de ruban gommé. Sinon, ils peuvent se séparer et présenter un risque pour la sécurité.

Directives d'installation / Sécheuse électrique

UTILISATION D'UN CONDUIT SOUPLE EN MÉTAL

Si vous ne pouvez utiliser un conduit rigide entièrement en métal, vous pouvez alors employer un conduit souple entièrement en métal, mais cela aura pour effet de diminuer la longueur maximale de conduit recommandée. Dans le cas d'installations spéciales, lorsqu'il est impossible d'utiliser un conduit entièrement en métal, vous pouvez employer un conduit de transition souple en métal homologué par l'UL pour les sécheuses entre la sécheuse et le raccord au mur seulement. L'utilisation de ce type de conduit allongera les durées de séchage.

- Si vous devez utiliser un conduit de transition souple en métal, suivez les directives ci-dessous.
- Utilisez la longueur la plus courte possible.
- Étirez le conduit à sa longueur maximale afin d'éviter la formation de plis.
- Évitez d'écraser le conduit.
- Sortez le support de protection du conduit d'évacuation, comme expliqué à l'étape 1.
- N'installez jamais un conduit de transition à l'intérieur du mur ou de la sécheuse.
- Évitez de placer le conduit sur des objets tranchants.
- Le système d'évacuation doit être conforme aux codes du bâtiment locaux.



ÉVACUATION

UNE SÉCHEUSE PRODUIT DE LA CHARPIE COMBUSTIBLE. DANS TOUS LES CAS D'INSTALLATION, LA SÉCHEUSE DOIT ÊTRE RACCORDEE À UN CONDUIT D'ÉVACUATION DONNANT SUR L'EXTÉRIEUR.

REMARQUE : L'AIR D'UNE SÉCHEUSE INSTALLÉE DANS UNE MAISON MOBILE, UNE CHAMBRE À COUCHER, UNE SALLE DE BAIN, UNE ALCÔVE OU UN PLACARD DOIT ÊTRE ÉVACUÉ À L'EXTÉRIEUR.

6 INSTALLATION DANS UNE ALCÔVE OU UN PLACARD

- Si votre sécheuse est conçue pour être installée dans une alcôve ou un placard, cela sera indiqué sur une étiquette apposée sur le panneau arrière de la sécheuse.
- L'air de la sécheuse DOIT être évacué à l'extérieur. Reportez-vous aux points 3 et 4 de la section ÉVACUATION DE L'AIR.
- Les dégagements minimums entre la sécheuse et les murs adjacents ou autres surfaces sont les suivants :
 - 0 cm (0 po) de chaque côté
 - 2,5 cm (1 po) à l'avant
 - 2,5 cm (1 po) à l'arrière
 - 2,5 cm (1 po) à l'hauteur

LORSQUE LE CONDUIT D'ÉVACUATION EST INSTALLÉ À L'ARRIÈRE DE LA SÉCHEUSE, IL FAUT PRÉVOIR UN DÉGAGEMENT MINIMUM DE 2,5 cm (1,0 po) ENTRE L'APPAREIL ET LE MUR.

7 INSTALLATION DANS UNE SALLE DE BAIN OU UNE CHAMBRE À COUCHER

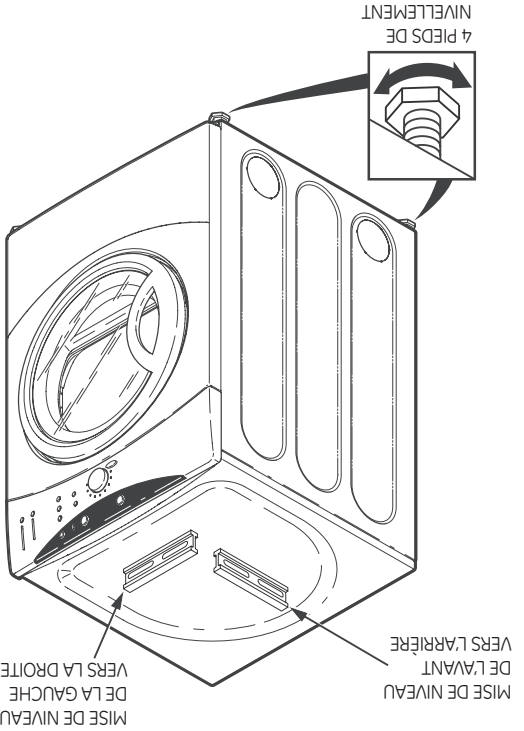
- L'air de la sécheuse DOIT être évacué à l'extérieur. Reportez-vous aux points 3 et 4 de la section ÉVACUATION DE L'AIR.
- L'installation doit être conforme à tous les codes locaux en vigueur ou, en l'absence de codes locaux, à la norme C22.1 de l'ACNOR, à la Partie 1 du Code canadien de l'électricité.

8 INSTALLATION DANS UNE MAISON MOBILE OU PRÉ-FABRIQUÉE

- L'installation doit être conforme aux Codes d'installation dans les maisons mobiles CAN/CSA série Z240 MH.
- L'air de la sécheuse DOIT être évacué à l'extérieur au moyen d'un évent solidement fixé à la structure de la maison mobile (reportez-vous aux points 3 et 4 de la section ÉVACUATION DE L'AIR).
- L'air de la sécheuse NE DOIT PAS être évacué sous une maison mobile ou pré-fabriquée.
- Le conduit de l'évent DOIT être fabriqué en MÉTAL.
- N'utilisez pas de vis à métaux ou autres dispositifs similaires qui pénétreraient à l'intérieur du conduit d'évacuation.
- Reportez-vous à la section 2 pour effectuer le raccordement électrique.

5 MISE DE NIVEAU ET STABILISATION DE VOTRE SÈCHEUSE

Placez la sècheuse à proximité de son emplacement final, et réglez les 4 pieds de nivellement dans les 4 coins pour vous assurer que la sècheuse est de niveau de la gauche vers la droite, et de l'avant vers l'arrière.



MISE DE NIVEAU DE L'AVANT VERS L'ARRIÈRE

MISE DE NIVEAU DE LA GAUCHE VERS LA DROITE

4 PIEDS DE NIVELLEMENT

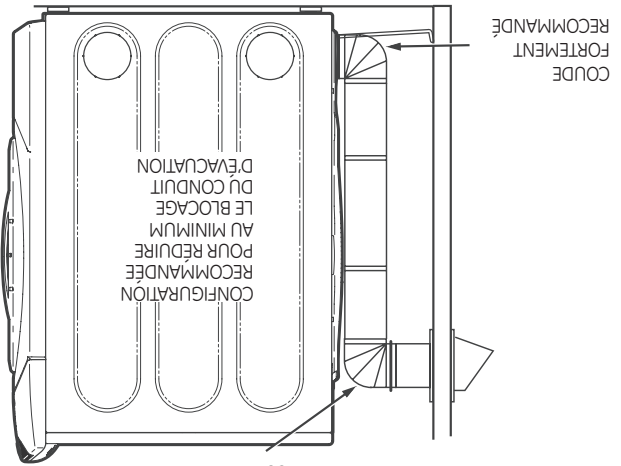
ÉVACUATION STANDARD PAR L'ARRIÈRE (au-dessus du sol)

REMARQUE : LES COUDES EMPÊCHENT L'ÉCRASEMENT ET L'AFFAISSEMENT DU CONDUIT.

CONFIGURATION RECOMMANDÉE POUR RÉDUIRE AU MINIMUM LE BLOCAJE DU CONDUIT D'ÉVACUATION

COUDE FORTEMENT RECOMMANDÉ

COUDE FORTEMENT RECOMMANDÉ



Directives d'installation / Sécheuse électrique

3 ÉVACUATION DE L'AIR

AVERTISSEMENT – N'UTILISEZ QU'UN CONDUIT EN MÉTAL DE 10 CM (4 PO) SEULEMENT. N'UTILISEZ PAS UN CONDUIT PLUS LONG QUE CELUI INDIQUÉ DANS LE TABLEAU DE LA LONGUEUR DES CONDUITS D'ÉVACUATION.

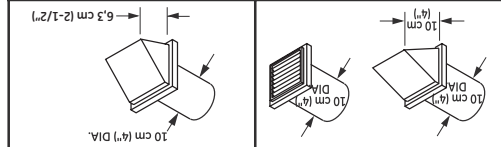
L'utilisation d'un conduit plus long que celui recommandé : Augmentera la durée du séchage et les frais d'énergie. Réduira la durée de vie utile de la sécheuse. Favorisera l'accumulation de charpie, créant un risque d'incendie. **VOUS AVEZ LA RESPONSABILITÉ D'INSTALLER LE CONDUIT D'ÉVACUATION approprié. Les problèmes attribuables à une installation incorrecte ne sont pas couverts par la garantie.**

La longueur MAXIMALE PERMISE du conduit d'évacuation dépend du type de conduit, du nombre de coudes, du type d'événement mural employé et de toutes les conditions indiquées ci-dessous. Le tableau qui suit indique les longueurs recommandées pour les conduits en métal souple et rigide.

LONGUEUR DES CONDUITS D'ÉVACUATION

LONGUEUR MAXIMALE RECOMMANDÉE

Utilisation pour les conduits courts seulement



Nombre de 90° coudes de	Rigide en métal	Souple en métal	Rigide en métal	Souple en métal
0	27,4 m (90 pi)	16,8 m (55 pi)	18,3 m (60 pi)	18,3 m (60 pi)
1	18,3 m (60 pi)	12,2 m (40 pi)	13,7 m (45 pi)	13,7 m (45 pi)
2	13,7 m (45 pi)	9,1 m (30 pi)	10,7 m (35 pi)	10,7 m (35 pi)
3	10,7 m (35 pi)	6,1 m (20 pi)	7,6 m (25 pi)	7,6 m (25 pi)
4	7,6 m (25 pi)	4,6 m (15 pi)	4,6 m (15 pi)	4,6 m (15 pi)

LISTE DE CONTRÔLE DU SYSTÈME D'ÉVACUATION

Si vous utilisez un conduit souple en métal, reportez-vous à la page 10.

- Installez un événement de manière à empêcher les retours d'air dans l'appareil ou l'entrée d'oiseaux ou autres animaux.
- L'événement utilisé doit offrir une résistance minimale à l'air évacué et n'exiger qu'un minimum d'entretien pour empêcher l'obstruction.
- N'installez jamais une grille à l'intérieur ou par-dessus le conduit d'évacuation, augmentant le risque de feu. La grille pourrait provoquer l'accumulation de charpie.
- L'événement mural doit être installé à au moins 30 cm (12 po) du sol ou de tout autre obstacle lorsque l'ouverture est orientée vers le bas.
- Si vous utilisez un événement de toiture ou à volets, il doit présenter des caractéristiques équivalentes à celles d'un événement mural à volet de 10 cm (4 po) en ce qui concerne la résistance à la circulation d'air; la prévention des retours d'air et l'entretien exigé pour éviter les obstructions.

LONGUEUR DE CONDUIT ENTRE LES COUDES

Pour un rendement optimum, prévoyez une longueur de conduit droit de 1,2 m (4 pi) entre chaque coude, y compris entre le dernier coude et l'événement mural.

AUTRES TYPES DE COUDES

- Ne tenez pas compte d'un coude de 45° moins.
- 2 coudes de 45° équivalent à un coude de 90°.
- Chaque coude de plus de 45° équivaut à un coude de 90°.

SCÈLÈMMENT DES JOINTS

- Tous les joints doivent être étanches pour éviter les fuites d'air. L'extrémité mûle de chaque section de conduit doit être orientée en sens contraire par rapport à la sécheuse.
- N'assemblez pas les sections de conduit avec des vis qui dépassent à l'intérieur du conduit. Ces-ci risquent de créer des points d'accumulation de charpie.
- Assurez l'étanchéité à l'air et à l'humidité des conduits en recouvrant les joints de ruban gommé pour conduit.
- Les longueurs horizontales de conduit doivent avoir une pente descendante vers l'extérieur, à raison de 1,2 cm (1/2 po) par 30 cm (12 po).

ISOLATION

- Les conduits qui traversent une zone non chauffée ou qui se trouvent à proximité d'un conduit de climatisation doivent être isolés afin de réduire la condensation et l'accumulation de charpie.

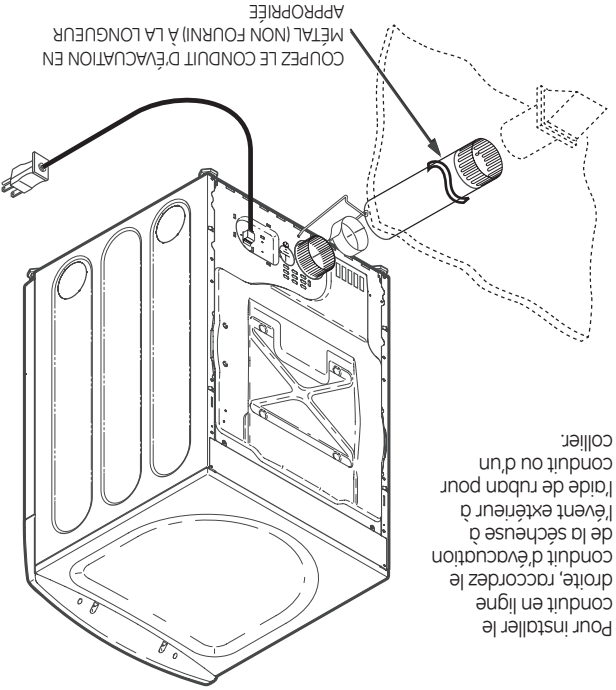
4 RACCORDEMENT DU CONDUIT D'ÉVACUATION

AVERTISSEMENT – POUR RÉDUIRE LES RISQUES D'INCENDIE OU DE BLESSURES :

- L'air de cette sécheuse doit être évacué à l'extérieur. N'utilisez qu'un conduit en métal seulement.
- Ne faites pas évacuer l'air de la sécheuse dans une cheminée, dans un conduit d'évacuation des gaz brûlés, sous un plancher (vide sanitaire) ou dans un grenier. L'accumulation de charpie pourrait présenter un risque d'incendie.
- Prévoyez un accès pour l'inspection et le nettoyage du système d'évacuation, plus particulièrement au niveau des coudes. Inspectez et nettoyez le système au moins une fois par année.
- Ne faites jamais évacuer l'air de la sécheuse dans le conduit d'évacuation d'une hotte de cuisine. Le mélange de charpie et de graisse pourrait présenter un risque d'incendie.
- N'entrez pas la circulation de l'air qui entre dans la sécheuse ou qui en est évacué.

CETTE SÈCHEUSE A ÉTÉ PRÉPARÉE EN VUE D'UNE ÉVACUATION PAR L'ARRIÈRE. SI L'ESPACE EST LIMITÉ, SUIVEZ LES DIRECTIVES DE LA SECTION 9 POUR EFFECTUER L'ÉVACUATION PAR L'UN DES CÔTÉS OU LE DESSOUS DE L'APPAREIL.

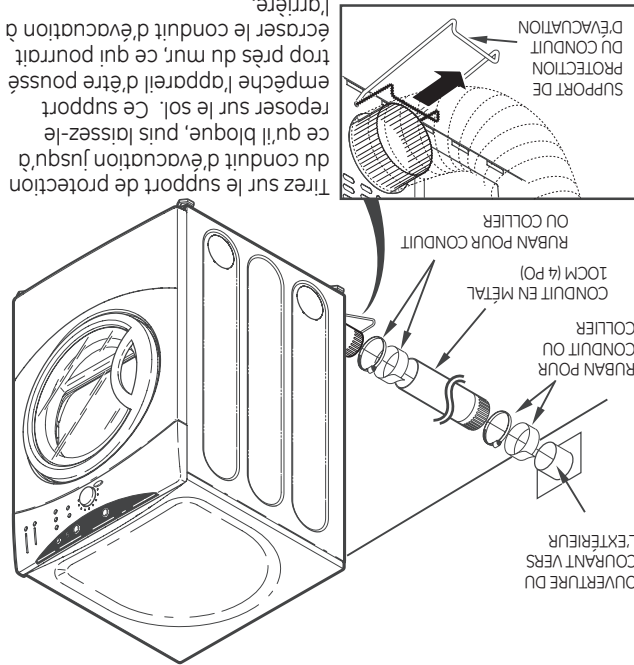
ÉVACUATION STANDARD PAR L'ARRIÈRE (au niveau du sol)



REMARQUE : NOUS VOUS RECOMMANDONS FORTEMENT D'UTILISER UN CONDUIT D'ÉVACUATION EN MÉTAL RIGIDE. CEPENDANT, SI VOUS UTILISEZ UN CONDUIT SOUPLE, CELUI-CI DOIT ÊTRE EN MÉTAL, ET NON EN PASTIQUE.

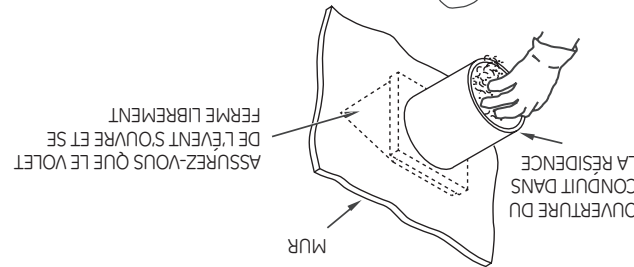
Dégagements minimums pour les installations autres que dans une alcôve ou un placard. Les dégagements minimums par rapport aux surfaces combustibles et pour l'ouverture d'aération sont les suivants : 0 cm (0 po) des deux côtés et 2,5 cm (1 po) à l'arrière. Il faut prévoir un dégagement adéquat pour l'installation et la réparation.

1 PRÉPARATION POUR L'INSTALLATION DE LA NOUVELLE SÉCHEUSE



CONSEIL : Installez votre sécheuse avant d'installer votre lavase. Cela facilitera l'accès pour l'installation du conduit d'évacuation de la sécheuse.

ENLEVEMENT DE LA CHARPIE DANS L'OUVERTURE DU CONDUIT D'ÉVACUATION & DES COUSSINS D'ÉXPÉDITION



2 RACCORDEMENT ÉLECTRIQUE

AVERTISSEMENT - POUR RÉDUIRE LES RISQUES D'INCENDIE, DE CHOCS ÉLECTRIQUES ET DE BLESSURES : N'UTILISEZ PAS DE RALLONGE ÉLECTRIQUE OU DE FICHE D'ADAPTATION AVEC CET APPAREIL.

La sécheuse doit être mise à la terre en conformité avec les codes et règlements locaux en vigueur. L'installation doit être conforme à la norme C22.1 de l'ACNOR, à la Partie 1 du Code canadien de l'électricité. Une connection incorrecte de l'équipement de mise à la terre peut causer un choc électrique. Vérifiez avec un électricien autorisé, ou un représentant du service en cas de doute sur la mise à la terre de votre appareil.

Ne modifiez pas la prise fournie avec l'appareil. Si cette prise n'est pas compatible avec le récepteur, veuillez vous en faire installer un par un électricien autorisé.

ALIMENTATION ÉLECTRIQUE

Cette sécheuse doit être branchée à un circuit individuel protégé par des fusibles à retardement ou des disjoncteurs. Le circuit électrique doit :

- 1-Être de 120/240 volts ou 120/208 volts, de 60 Hz, doté d'une prise murale comme celle ci-dessous :



- 2-Être protégé par un disjoncteur ou des fusibles de 30A.
- 3-Être convenablement mis à la terre.

MISE À LA TERRE

Cet appareil doit être mis à la terre. Dans l'évènement d'une malfonction ou bris, la mise à la terre réduirait le risque de choc électrique en fournissant une voie de faible résistance électrique pour le courant.

Cet appareil est muni d'un cordon électrique équipé d'un conducteur et prise servant à le mettre à la terre. La prise doit être connectée à un récepteur compatible, conforme aux exigences et normes locales.

Directives d'installation / Sécheuse électrique

SOCLES POUR SÈCHEUSE

(fournis avec des directives d'installation)

Modèles offerts :

- SBSD227F
- SBSD137H
- SBSD107H

AVANT DE COMMENCER

Veillez lire attentivement toutes les directives qui suivent.

IMPORTANT - Conservez ces directives pour utilisation éventuelle par l'inspecteur local.

IMPORTANT - Respectez tous les codes et règlements en vigueur.

Note à l'installateur - Assurez-vous de laisser ces directives au consommateur.

Note au consommateur - Gardez ces directives avec votre Guide d'utilisation et d'entretien pour consultation éventuelle. Avant d'entreposer ou de jeter votre vieille sécheuse, retirez la porte de l'appareil.

Le schéma de câblage et les renseignements concernant la réparation se trouvent à l'intérieur du tableau de commande.

⚠️ AVERTISSEMENT!

POUR VOTRE SÉCURITÉ :

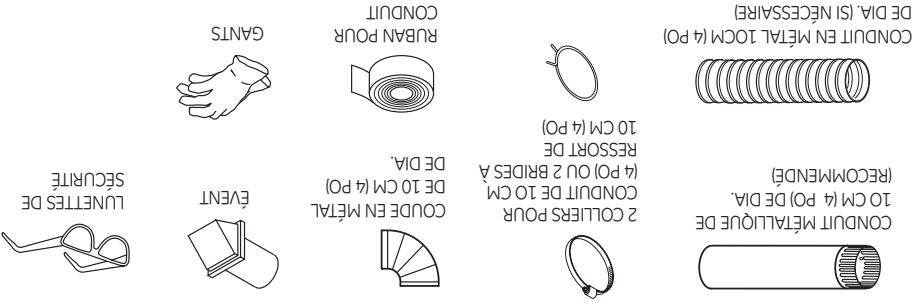
- N'utilisez qu'un conduit métallique rigide ou souple de 10 cm (4 po) de diamètre pour l'évacuation vers l'extérieur. N'utilisez jamais un conduit en plastique ou fabriqué avec tout autre matériau combustible facile à perfore.
- Cet appareil doit être adéquatement mis à la terre et installé conformément aux présentes directives.
- N'installez pas ou n'entreposez pas l'appareil à un endroit où il sera exposé à l'eau et/ou aux intempéries.
- L'air de cette sécheuse doit être évacué à l'extérieur.
- Inspectez la sortie d'évacuation de la sécheuse et redressez l'évent mural s'il est déformé.
- Ne laissez pas les enfants grimper sur l'appareil ou à l'intérieur de celui-ci. Il faut exercer une étroite surveillance lorsque vous faites fonctionner cet appareil en présence d'enfants.
- Installez la sécheuse dans une pièce où la température est supérieure à 10 °C (50 °F) pour assurer le bon fonctionnement des commandes de l'appareil.

REMARQUE : L'installation et la réparation de cette sécheuse exigent des connaissances de base en mécanique et en électricité.

OUTILS NÉCESSAIRES



COMPOSANTES NÉCESSAIRES



- Étape 1 Préparez l'emplacement et l'évacuation pour l'installation de la nouvelle sécheuse (voir la section 1). Assurez-vous que le conduit d'évacuation externe actuellement en place est propre (voir la section 1) et qu'il répond aux exigences des directives d'installation qui suivent (voir la section 3).
- Étape 3 Enlever les coussins d'expédition en mousse (voir la section 1).
- Étape 4 Amener la sécheuse à l'endroit désiré.
- Étape 5 Branchez le cordon d'alimentation (voir la section 2).
- Étape 6 Raccordez le système d'évacuation vers l'extérieur (voir la section 4).

- Étape 7 Mettez votre sécheuse de niveau (voir la section 5). Vérifiez le bon fonctionnement de l'alimentation électrique et de l'évacuation.
- Étape 9 Rangez le Guide d'utilisation et d'entretien et les Directives d'installation à un endroit où le propriétaire pourra facilement les trouver.

Pour une installation dans un placard ou un alcôve, voir la section 6.
Pour une installation dans une chambre à coucher ou une salle de bain, voir la section 7.
Pour une installation dans une maison mobile ou préfabriquée, voir la section 8.
Pour l'évacuation par le côté ou le dessus, voir la section 9.

LISEZ ATTENTIVEMENT ET RESPECTEZ CES CONSIGNES DE SÉCURITÉ.

CONSERVEZ CES INSTRUCTIONS



- N'essayez pas de réparer ou de remplacer toute pièce de cet électroménager ou d'effectuer toute réparation qui n'est pas recommandée dans le manuel de l'utilisateur ou dans les instructions de réparation par l'utilisateur pour lesquelles vous possédez les connaissances et les aptitudes requises.
- Avant de mettre une sècheuse au rebut ou de la fiche pour éviter de l'endommager pendant que vous la tirez. Placez la fiche loin des endroits achalandés afin d'éviter de marcher ou de trébucher dessus ou de l'endommager.
- Lorsque vous débarrachez l'appareil, tenez fermement la fiche pour éviter de l'endommager pendant que vous la tirez. Placez la fiche loin des endroits achalandés afin d'éviter de marcher ou de trébucher dessus ou de l'endommager.
- N'altérez pas les commandes.

LORSQUE VOUS N'UTILISEZ PAS VOTRE SÈCHEUSE



- Songez à adoucir les tissus qui ont été lavés ou à réduire l'électricité statique en utilisant un assouplissant ou un revitalisant antistatique pendant le séchage. Nous vous recommandons d'utiliser un assouplissant pendant le lavage, conformément au mode d'emploi indiqué par le fabricant, ou d'essayer un produit qui s'ajoute pendant le séchage si le fabricant assure par écrit que le produit peut être utilisé de façon sécuritaire dans votre sècheuse. Les fabricants des produits sont responsables des problèmes d'entretien ou de performance entraînés par l'utilisation des produits. Ces problèmes ne sont pas couverts en vertu de la garantie de l'électroménager.
- N'utilisez jamais les programmes **Steam DeWrinkle** (Défroissage à la vapeur) s'il n'y a pas de vêtements dans le tambour.
- Si vous utilisez une sècheuse à alimentation au gaz, celle-ci est dotée d'un allumage automatique électrique et n'est pas munie d'une veilleuse. **NESSAYEZ PAS D'ALLUMER UNE ALLUMETTE.** Gardez vos mains éloignées du brûleur pour éviter les blessures qui pourraient survenir lorsque l'allumage automatique est amorcé.
- L'intérieur de la machine et du raccord du conduit d'évacuation situés à l'intérieur de la sècheuse doit être nettoyé au moins une fois par année par un technicien qualifié. Reportez-vous à la section Chargement et utilisation de la sècheuse.
- Si vous utilisez une sècheuse à alimentation au gaz, celle-ci est dotée d'un allumage automatique électrique et n'est pas munie d'une veilleuse. **NESSAYEZ PAS D'ALLUMER UNE ALLUMETTE.** Gardez vos mains éloignées du brûleur pour éviter les blessures qui pourraient survenir lorsque l'allumage automatique est amorcé.
- N'essayez jamais d'utiliser cet appareil s'il est endommagé, fonctionne mal, s'il est partiellement démonté ou si certaines de ses pièces sont manquantes ou cassées (y compris le cordon d'alimentation ou la fiche).

LORSQUE VOUS UTILISEZ VOTRE SÈCHEUSE (suite)



CONSIGNES DE SÉCURITÉ IMPORTANTES. LISEZ TOUTES LES INSTRUCTIONS AVANT D'UTILISER VOTRE APPAREIL.

⚠️ AVERTISSEMENT!

VOTRE BUANDERIE



- Assurez-vous qu'il n'y a pas de matériaux combustibles (charpie, papiers, chiffons, etc.), d'essence, de produits chimiques et d'autres vapeurs et liquides inflammables sous et autour de vos appareils.
- Assurez-vous que le plancher près de vos électroménagers est propre et sec afin de réduire la possibilité de glisser.
- L'utilisation du lave-vaisselle par ou près des enfants doit faire l'objet d'une étroite supervision. Ne permettez pas aux enfants de jouer sur, avec ou à l'intérieur de cet appareil ou de tout autre appareil électroménager.
- Ne vaporisez jamais de produits en aérosol dans ou près de la sècheuse.
- Si vous apercevez de l'eau sur le plancher autour de la sècheuse, appelez un service de dépannage.
- Ne grimpez ou ne vous tenez jamais debout sur le dessus de la sècheuse.
- Maintenez la zone près de l'ouverture de l'évacuation et la zone environnante libres de toute charpie, poussière et saleté.
- Respectez toutes les mises en garde indiquées sur les étiquettes des récipients pour éviter les blessures.

LORSQUE VOUS UTILISEZ VOTRE SÈCHEUSE



- Ne mettez jamais vos mains dans la sècheuse pendant que le tambour est en mouvement. Attendez que le tambour se soit complètement arrêté avant de charger, décharger ou ajouter des vêtements.
- Nettoyez le filtre à charpie avant chaque lavage afin d'empêcher l'accumulation de charpie dans la sècheuse ou dans la pièce. **NE FAITES JAMAIS FONCTIONNER LA SÈCHEUSE SANS QU'UN FILTRE À CHARPIE SOIT EN PLACE.**
- Ne lavez et ne séchez pas d'articles qui ont été nettoyés, lavés, trempés ou tachés avec un produit combustible ou explosif (cire, huile, peinture, essence, dégraissant, solvant pour nettoyage à sec, kérosène, etc.) qui pourrait s'enflammer ou provoquer une explosion. N'utilisez pas ou ne disposez pas ces substances autour de la lavuse ou de la sècheuse pendant l'utilisation.
- Ne placez pas d'objets exposés à des huiles de cuisson dans votre sècheuse. Les objets contaminés par des huiles de cuisson peuvent causer une réaction chimique qui peut enflammer les vêtements.
- Tout article traité avec des solvants de nettoyage ou contenant des substances inflammables (notamment des chiffons, des balais à frange, des serviettes utilisées dans les salons de coiffure) ne doit pas être placé dans la sècheuse ou entreposé près de la sècheuse jusqu'à ce que les solvants ou les substances inflammables aient été éliminés. On retrouve de nombreux articles hautement inflammables dans les maisons, notamment de l'acétone, de l'alcool dénaturé, de l'essence, du kérosène, certains nettoyeurs pour la maison, certains produits détachants, de la térébenthine, des cires, des décapants pour cire et des produits contenant des distillats de pétrole.
- Ne séchez pas des articles qui contiennent du caoutchouc, du plastique, de la mousse ou des matériaux semblables, notamment des soutiens-gorge rembourrés, des chaussettes de tennis, des couvre-chaussettes, des tapis de bain, des tapis, des bavoirs, des culottes pour bébés, des sacs en plastique, des oreillers, etc. qui pourraient fondre ou brûler. Lorsqu'ils sont chauffés, certains matériaux peuvent s'enflammer de façon spontanée dans certaines circonstances.
- Ne déposez pas de plastique, de papier ou de papier qui pourrait brûler ou fondre pendant l'utilisation de la sècheuse.
- N'utilisez pas la sècheuse pour sécher les vêtements dont l'étiquette mentionne *Ne pas sécher à la chaleur* ou *Ne pas sécher par cubitage* (par exemple, les gilets de sauvetage contenant du capoc).
- N'utilisez pas la sècheuse pour sécher les articles en fibre de verre. Les particules restantes pourraient se coller aux vêtements séchés ultérieurement et entraîner une irritation de la peau.
- Pour réduire le risque de choc électrique, débranchez cet appareil ou coupez l'alimentation électrique de la sècheuse au niveau du tableau de distribution de votre domicile en retirant le fusible ou en mettant le disjoncteur en position d'arrêt d'effectuer tout entretien ou toute réparation, sauf pour le retrait et le nettoyage du filtre à charpie. **REMARQUE :** Appuyez sur **Power, Start** ou **Lock** (Départ, Arrêt ou Verrouillage) **NE** coupez **PAS** l'alimentation électrique de l'appareil.

CONSIGNES DE SÉCURITÉ IMPORTANTES. LISEZ TOUTES LES INSTRUCTIONS AVANT D'UTILISER VOTRE APPAREIL.

www.electromenagersge.ca

INSTALLATION APPROPRIÉE



Avant d'être utilisée, cette sècheuse doit être installée conformément aux instructions d'installation. Si vous n'avez pas reçu la feuille d'instructions d'installation, vous pouvez l'obtenir sur le site Web www.electromenagersge.ca ou téléphonez au 1-800-561-3344.

- Mettez la sècheuse à la terre conformément aux codes et règlements en vigueur. Suivez les instructions détaillées de la section « Instructions d'installation ».
- Installez ou entraposez l'appareil à un endroit où il ne sera exposé ni à des températures en-dessous du point de congélation ni aux intempéries.
- Raccordez à un circuit d'alimentation correctement calibré, protégé et dimensionné pour éviter les surcharges.
- Retirez la pellicule protectrice de couleur du panneau de commande et de la porte.
- Retirez toutes les parties coupantes de l'emballage et jetez le matériel d'emballage.

Pour des renseignements complets, reportez-vous aux instructions d'installation.

**L'INSTALLATION
BOUCHE AU COURS DE L'UTILISATION OU DE
CAUSER UN INCENDIE. LE CONDUIT PERFORÉ PEUT
EN UN AUTRE MATÉRIEL COMBUSTIBLE PEUT
L'UTILISATION D'UN CONDUIT EN PLASTIQUE OU**

2 Utilisez uniquement un conduit métallique rigide de 10,16 cm (4 po) à l'intérieur de l'espace de la sècheuse et un adaptateur de conduit homologué CUL entre la sècheuse et le conduit domestique.

1 L'évacuation de toutes les sècheuses **DOIT** être orientée vers l'extérieur pour empêcher de grandes quantités d'humidité et de charpie d'être évacuées dans la pièce.

Conduit d'évacuation :

CONSIGNES DE SÉCURITÉ IMPORTANTES. LISEZ TOUTES LES INSTRUCTIONS AVANT D'UTILISER VOTRE APPAREIL.

⚠ AVERTISSEMENT!

Pour votre sécurité et pour réduire les risques d'incendie, d'explosion, de choc électrique, de dommages matériels, de blessures corporelles ou même d'accident mortel, vous devez vous conformer aux instructions contenues dans ce manuel.

- Ne rangez pas et n'utilisez pas d'essence ou d'autres vapeurs et liquides inflammables à proximité de cet appareil ou de tout autre appareil électroménager.
- L'installation ainsi que toute réparation doivent être effectuées par un installateur ou une entreprise de service qualifiés, ou le fournisseur de gaz.

QUE FAIRE SI VOUS DÉTECTEZ UNE ODEUR DE GAZ :

- 1 N'allumez pas une allumette, une cigarette ou l'alimentation en gaz d'un appareil ou tout appareil électrique.
- 2 Ne touchez à aucun commutateur électrique; n'utilisez aucun téléphone de votre domicile.
- 3 Évacuez tout le monde de la pièce, de l'édifice ou de la zone.
- 4 Appelez immédiatement votre fournisseur de gaz depuis le téléphone d'un voisin. Suivez attentivement les instructions de votre fournisseur de gaz.
- 5 Si vous ne pouvez joindre votre fournisseur de gaz, appelez les pompiers.

California Safe Drinking Water and Toxic Enforcement Act

Cette loi exige que le gouverneur de l'État de la Californie publie une liste des substances connues pouvant entraîner le cancer, des anomalies congénitales ou d'autres problèmes liés au système reproducteur et exige que les entreprises prennent des mesures pour prévenir les clients des dangers possibles qu'entraîne une exposition à de telles substances. Les appareils à gaz peuvent causer une exposition minimale à quatre de ces substances (le benzène, le monoxyde de carbone, le formaldéhyde et la suie), qui sont principalement engendrées par la combustion incomplète du gaz naturel ou du GPL. L'ajustement adéquat des sécheuses peut réduire la combustion incomplète. L'exposition à ces substances peut être réduite par la ventilation adéquate de la sécheuse vers l'extérieur.



Sécheuses

Sécurité 2-5

Instructions d'installation ... 6-20

Utilisation

Tableau de commande 21 à 23

Options de programmes 24 à 25

Caractéristiques des sècheuses 25

Inversion de la porte 26 à 29

Chargement et utilisation

de la sècheuse 30, 31

Évacuation de la sècheuse 32

Raccordement des tuyaux

d'arrivée 33

Supposition 34 à 37

Dépannage 38 à 41

Soutien au consommateur

Garantie 43 à 44

Soutien au consommateur

..... Dernière de couverture

*Inscrivez ici les numéros de
modèle et de série :*

N° de modèle

N° de série

Ces numéros sont indiqués sur
l'étiquette située sur l'avant de la
sècheuse, derrière la porte.

