



Dryers

Safety Instructions 2-5

Installation Instructions .. 6-21

Operating Instructions

Control Panels 22-24

Cycle Options 25-26

Dryer Features 26

Reversing the Door Swing 27-30

Loading and Using
the Dryer 31-32

Venting the Dryer 33

Connecting Inlet Hoses 34

Stacking 35-38

Troubleshooting Tips 39-42

Consumer Support

Warranty 43

Consumer Support 44

Owner's Manual

- GFDN240
- GFDN245
- GFDS350
- GFDS355
- GFMN240
- GFMN245
- GFMS350
- GFMS355

Write the model and serial numbers here:

Model # _____

Serial # _____

They are on the label on the front of the dryer behind the door.

IMPORTANT SAFETY INFORMATION.

READ ALL INSTRUCTIONS BEFORE USING.

⚠ WARNING!

For your safety, the information in this manual must be followed to minimize the risk of fire or explosion, electric shock, or to prevent property damage, personal injury, or death.

- *Do not store or use gasoline or other flammable vapors and liquids in the vicinity of this or any other appliance.*
- *Installation and service must be performed by a qualified installer, service agency or the gas supplier.*

WHAT TO DO IF YOU SMELL GAS:

- 1** *Do not try to light a match, or cigarette, or turn on any gas or electrical appliance.*
- 2** *Do not touch any electrical switch; do not use any phone in your building.*
- 3** *Clear the room, building or area of all occupants.*
- 4** *Immediately call your gas supplier from a neighbor's phone. Follow the gas supplier's instructions carefully.*
- 5** *If you cannot reach your gas supplier, call the fire department.*

California Safe Drinking Water and Toxic Enforcement Act

This act requires the governor of California to publish a list of substances known to the state to cause cancer, birth defects or other reproductive harm and requires businesses to warn customers of potential exposure to such substances.

Gas appliances can cause minor exposure to four of these substances, namely benzene, carbon monoxide, formaldehyde and soot, caused primarily by the incomplete combustion of natural gas or LP fuels.

Properly adjusted dryers will minimize incomplete combustion. Exposure to these substances can be minimized further by properly venting the dryer to the outdoors.



PROPER INSTALLATION

This dryer must be properly installed and located in accordance with the Installation Instructions before it is used. If you did not receive an Installation Instructions sheet, you can receive one by visiting www.GEAppliances.ca, or by calling **1-800-561-3344**.

- Properly ground dryer to conform with all governing codes and ordinances. Follow details in Installation Instructions.
- Install or store where it will not be exposed to temperatures below freezing or exposed to the weather.
- Connect to a properly rated, protected and sized power supply circuit to avoid electrical overload.
- Remove the colored protective film from both the control panel and the door.
- Remove all sharp packing items and dispose of all shipping materials properly.
- Do not remove the vent protector from the back of the dryer (on some models).
- Pull the protector out and down to its lowest position and connect the exhaust duct to the dryer. The lowered protector will prevent the duct from getting crushed (on some models).

Exhaust/Ducting:

- 1 Dryers **MUST** be exhausted to the outside to prevent large amounts of moisture and lint from being blown into the room.
- 2 Use only rigid metal 4" diameter ductwork inside the dryer cabinet and use only UL approved transition ducting between the dryer and the home duct. **USE OF PLASTIC OR OTHER COMBUSTIBLE DUCTWORK CAN CAUSE A FIRE. PUNCTURED DUCTWORK CAN CAUSE A FIRE IF IT COLLAPSES OR BECOMES OTHERWISE RESTRICTED IN USE OR DURING INSTALLATION.**

For complete details, follow the Installation Instructions.

IMPORTANT SAFETY INFORMATION.

READ ALL INSTRUCTIONS BEFORE USING.

⚠ WARNING!



YOUR LAUNDRY AREA

- Keep the area underneath and around your appliances free of combustible materials (lint, paper, rags, etc.), gasoline, chemicals and other flammable vapors and liquids.
- Keep the floor around your appliances clean and dry to reduce the possibility of slipping.
- Close supervision is necessary if this appliance is used by or near children. Do not allow children to play on, with or inside this or any other appliance.
- Keep all laundry aids (such as detergents, bleaches, etc.) out of the reach of children, preferably in a locked cabinet. Observe all warnings on container labels to avoid injury.
- Never climb on or stand on the dryer top.
- Keep the area around the exhaust opening and adjacent surrounding areas free from the accumulation of lint, dust and dirt.



WHEN USING YOUR DRYER

- Never reach into the dryer while the drum is moving. Before loading, unloading or adding clothes, wait until the drum has completely stopped.
- Clean the lint filter before each load to prevent lint accumulation inside the dryer or in the room.
DO NOT OPERATE THE DRYER WITHOUT THE LINT FILTER IN PLACE.
- Do not wash or dry articles that have been cleaned in, washed in, soaked in or spotted with combustible or explosive substances (such as wax, oil, paint, gasoline, degreasers, dry-cleaning solvents, kerosene, etc.) which may ignite or explode. Do not add these substances to the wash water. Do not use or place these substances around your washer or dryer during operation.
- Do not place items exposed to cooking oils in your dryer. Items contaminated with cooking oils may contribute to a chemical reaction that could cause a clothes load to catch fire.
- Any article on which you have used a cleaning solvent or that contains flammable materials (such as cleaning cloths, mops, towels used in beauty salons, restaurants or barber shops, etc.) must not be placed in or near the dryer until solvents or flammable materials have been removed. There are many highly flammable items used in homes such as acetone, denatured alcohol, gasoline, kerosene, some household cleaners, some spot removers, turpentines, waxes, wax removers and products containing petroleum distillates.
- The laundry process can reduce the flame retardancy of fabrics. To avoid such a result, carefully follow the garment manufacturer's care instructions.
- Do not dry articles containing rubber, plastic, foam or similar materials such as padded bras, tennis shoes, galoshes, bath mats, rugs, bibs, baby pants, plastic bags, pillows, etc., that may melt or burn. Some rubber materials, when heated, can under certain circumstances produce fire by spontaneous combustion.
- Do not store plastic, paper or clothing that may burn or melt on top of the dryer during operation.
- Garments labeled *Dry Away from Heat* or *Do Not Tumble Dry* (such as life jackets containing kapok) must not be put in your dryer.
- Do not dry fiberglass articles in your dryer. Skin irritation could result from the remaining particles that may be picked up by clothing during subsequent dryer uses.
- To minimize the possibility of electric shock, unplug this appliance from the power supply or disconnect the dryer at the building's distribution panel by removing the fuse or switching off the circuit breaker before attempting any maintenance or cleaning (except the removal and cleaning of the lint filter). **NOTE:** Pressing **START**, **STOP** or **POWER** does **NOT** disconnect the appliance from the power supply.



WHEN USING YOUR DRYER (cont.)

- Never attempt to operate this appliance if it is damaged, malfunctioning, partially disassembled, or has missing or broken parts, including a damaged cord or plug.
- The interior of the machine and the exhaust duct connection inside the dryer should be cleaned at least once a year by a qualified technician. See the Loading and Using the Dryer section.
- If yours is a gas dryer, it is equipped with an automatic electric ignition and does not have a pilot light. **DO NOT ATTEMPT TO LIGHT WITH A MATCH.** Burns may result from having your hand in the vicinity of the burner when the automatic ignition turns on.
- You may wish to soften your laundered fabrics or reduce the static electricity in them by using a dryer-applied fabric softener or an anti-static conditioner. We recommend you use either a fabric softener in the wash cycle, according to the manufacturer's instructions for those products, or try a dryer-added product for which the manufacturer gives written assurance on the package that their product can be safely used in your dryer. Service or performance problems caused by use of these products are the responsibility of the manufacturers of those products and are not covered under the warranty to this appliance.
- Never attempt to use the **STEAM DEWRINKLE** or **STEAM REFRESH** cycles without clothes in the drum.



WHEN NOT USING YOUR DRYER

- Grasp the plug firmly when disconnecting this appliance to avoid damage to the cord while pulling. Place the cord away from traffic areas so it will not be stepped on, tripped over or subjected to damage.
- Do not attempt to repair or replace any part of this appliance or attempt any servicing unless specifically recommended in this Owner's Manual or in published user-repair instructions that you understand and have the skills to carry out.
- Before discarding a dryer, or removing it from service, remove the dryer door to prevent children from hiding inside.
- Do not tamper with controls.



READ AND FOLLOW THIS SAFETY INFORMATION CAREFULLY.

SAVE THESE INSTRUCTIONS

Electric Dryer

PEDESTALS FOR DRYERS (comes with individual installation instructions)

Available models: -SBSD227F
-SBSD137H
-SBSD107H

BEFORE YOU BEGIN:

Read these instructions completely and carefully.

IMPORTANT - Save these instructions for local inspector's use.

IMPORTANT - Observe all governing codes and ordinances.

Note to Installer - Be sure to leave these instructions with the customer.

Note to Customer - Keep these instructions with your Use and Care Book for future reference.

Before the old dryer is removed from service or discarded, remove the dryer door.

Service information and the wiring diagram are located in the control console.

⚠ WARNING!

FOR YOUR SAFETY:

- Use only rigid metal or flexible metal 4-in. diameter ductwork for exhausting to the outdoors. Never use plastic or other combustible, easy-to-puncture ductwork.
- This appliance must be properly grounded and installed as described in these instructions.
- Do not install or store appliance in an area where it will be exposed to water and/or weather.
- Install the dryer where the temperature is above 10° C (50°F) for satisfactory operation of the dryer control system.
- This dryer must be exhausted to the outdoors.
- Inspect the dryer exhaust outlet and straighten the outlet walls if they are bent.
- Do not allow children on or in the appliance. Close supervision of children is necessary when the appliance is used near children.

NOTE: Installation and service of this dryer requires basic mechanical and electrical skills. It is your responsibility to contact a qualified installer to make the electrical connections.

TOOLS YOU WILL NEED



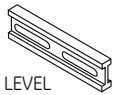
SLIP JOINT PLIERS



FLAT BLADE SCREWDRIVER

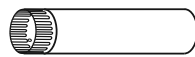


PHILLIPS SCREWDRIVER



LEVEL

MATERIALS YOU WILL NEED



10 cm (4 in.) DIA.
METAL DUCT (RECOMMENDED)



10 cm (4 in.) DUCT
CLAMPS (2)

OR
10 cm (4 in.) SPRING
CLAMPS (2)



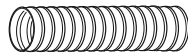
10 cm (4 in.)
METAL ELBOW



EXHAUST
HOOD



SAFETY GLASSES



10 cm (4 in.) DIA. FLEXIBLE METAL
DUCT (IF NEEDED)



DUCT TAPE



GLOVES

- Step 1 Prepare the area and exhaust for installation of new dryer (see section 1).
- Step 2 Check and ensure the existing external exhaust is clean (see section 1) and meets attached installation specifications (see section 3).
- Step 3 Remove the foam shipping pads (see section 1).
- Step 4 Move the dryer to the desired location.
- Step 5 Connect the power supply (see section 2).
- Step 6 Connect the external exhaust (see section 4).
- Step 7 Level your dryer (see section 5).

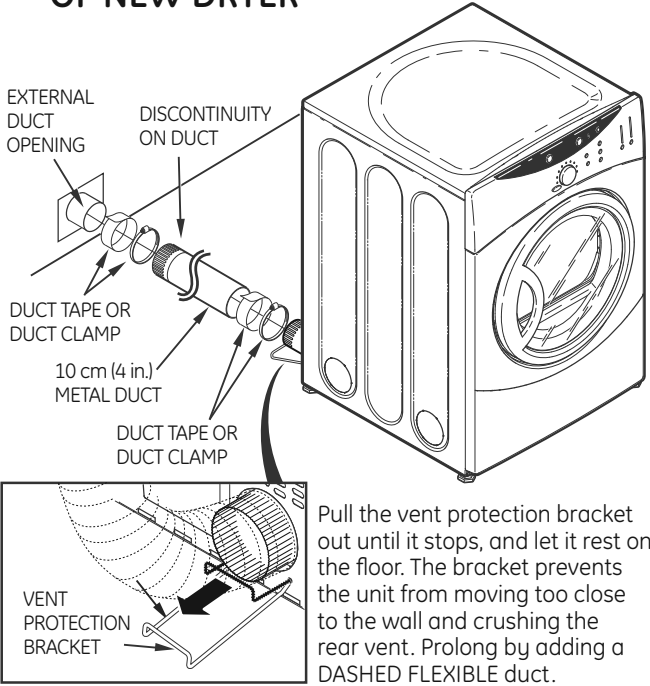
- Step 8 Check the operation of the power supply and venting.
- Step 9 Place the owners Use and Care in a location where it will be noticed by the owner.

For alcove or closet installation, see section 6.
For bathroom or bedroom installation, see section 7.
For mobile or manufactured home see, section 8.
For side or bottom exhaust, see section 9.

Minimum Clearance Other Than Alcove or Closet Installation

Minimum clearance to combustible surfaces and for air opening are: 0 cm (0 in.) clearance both sides and 2.5 cm (1 in.) rear. Consideration **must** be given to provide adequate clearance for installation and service.

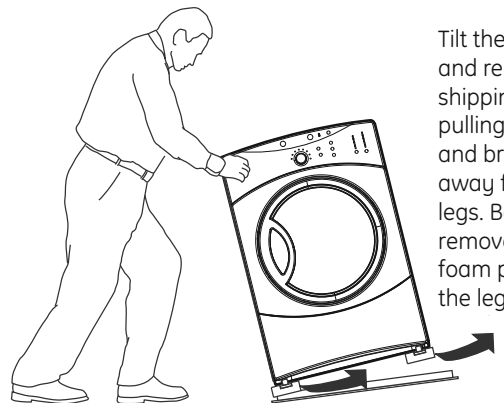
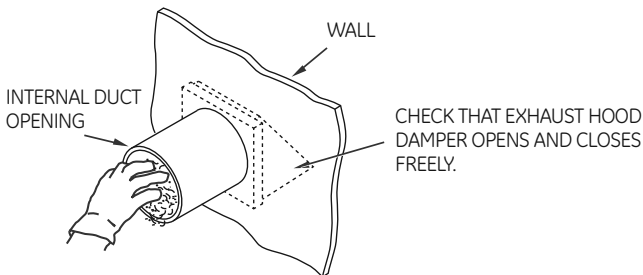
1 PREPARING FOR INSTALLATION OF NEW DRYER



Pull the vent protection bracket out until it stops, and let it rest on the floor. The bracket prevents the unit from moving too close to the wall and crushing the rear vent. Prolong by adding a DASHED FLEXIBLE duct.

TIP: Install your dryer before installing your washer. This will allow better access when installing dryer exhaust.

REMOVING LINT FROM WALL EXHAUST OPENING & FOAM REMOVAL FROM DRYER LEGS



Tilt the dryer sideways and remove the foam shipping pads by pulling at the sides and breaking them away from the dryer legs. Be sure to remove all of the foam pieces around the legs.

2 ELECTRICAL CONNECTION INFORMATION

⚠ WARNING - TO REDUCE THE RISK OF FIRE, ELECTRICAL SHOCK AND PERSONAL INJURY:

DO NOT USE AN EXTENSION CORD OR AND ADAPTER PLUG WITH THIS APPLIANCE.

Dryer must be electrically grounded in accordance with local codes and ordinances. Installation must be in accordance with the current CSA C22.1 Canadian Electrical code part 1. Improper connection of the equipment-grounding conductor can result in an electric shock. Check with a qualified electrician or service representative or personnel if you are in doubt as to whether the appliance is properly grounded.

Do not modify the plug provided with the appliance: if it will not fit the outlet, have a proper outlet installed by a qualified electrician.

ELECTRICAL REQUIREMENTS

This dryer must be connected to an individual branch circuit, protected by the required time-delay fuses or circuit breakers. The power supply must be of 120/240 volts, 60 Hz circuit with the wall receptacle as shown below:



The power supply must be protected with 30 Amp fuses or breakers. It must be well grounded and conform to local codes.

GROUNDING INSTRUCTIONS

This appliance must be grounded. In the event of malfunction or breakdown, grounding will reduce the risk of electrical shock by providing a path of least resistance for electrical current. This appliance is equipped with a cord having an equipment-grounding conductor and a grounding plug. The plug must be plugged into an appropriate outlet that is properly installed and grounded in accordance with all local codes and ordinances.

Electric Dryer

3 EXHAUST INFORMATION

⚠ WARNING - USE ONLY METAL 10 cm (4") DUCT. DO NOT USE DUCT LONGER THAN SPECIFIED IN THE EXHAUST LENGTH TABLE.

Using exhaust longer than specified length will:

- Increase the drying times and the energy cost.
- Reduce the dryer life.
- Accumulate lint, creating a potential fire hazard.

The correct exhaust installation is YOUR RESPONSIBILITY. Problems due to incorrect installation are not covered by the warranty.

The MAXIMUM ALLOWABLE length of the exhaust system depends upon the type of duct, number of turns, the type of exhaust hood (wall cap), and all conditions noted below. Both rigid and flexible metal duct are shown in the table below.

EXHAUST LENGTH

No. of 90° Elbows	RECOMMENDED MAXIMUM LENGTH			
	Exhaust Hood Types			
	Recommended		Use only for short run installations	
	Rigid Metal	Flexible Metal	Rigid Metal	Flexible Metal
0	27.4 m (90 ft.)	16.8 m (55 ft.)	18.3 m (60 ft.)	13.7 m (45 ft.)
1	18.3 m (60 ft.)	12.2 m (40 ft.)	13.7 m (45 ft.)	9.1 m (30 ft.)
2	13.7 m (45 ft.)	9.1 m (30 ft.)	10.7 m (35 ft.)	6.1 m (20 ft.)
3	10.7 m (35 ft.)	6.1 m (20 ft.)	7.6 m (25 ft.)	4.6 m (15 ft.)
4	7.6 m (25 ft.)	4.6 m (15 ft.)	4.6 m (15 ft.)	3.0 m (10 ft.)

If using flexible metal duct, please refer to page 10.

EXHAUST SYSTEM CHECKLIST

HOOD OR WALLCAP

- Terminate in a manner to prevent back drafts or entry of birds or other wildlife.
- Termination should present minimal resistance to the exhaust air flow and should require little or no maintenance to prevent clogging.
- Never install a screen in or over the exhaust duct. This could cause lint build up, thus creating a fire hazard.
- Wall caps must be installed at least 30 cm (12 in.) above ground level or any other obstruction with the opening pointed down.
- If roof vents or louvered plenums are used, they must be equivalent to a 10 cm (4 in.) dampened wall cap in regard to resistance to air flow, prevention of back drafts, and maintenance required to prevent clogging.

SEPARATION OF TURNS

For best performance, separate all turns by at least 1.2 m (4 ft.) of straight duct, including distance between last turn and exhaust hood.

TURNS OTHER THAN 90°

- One turn of 45° or less may be ignored.
- Two 45° turns should be treated as one 90° turn.
- Each turn over 45° should be treated as one 90° turn.

SEALING OF JOINTS

- All joints should be tight to avoid leaks. The male end of each section of duct must point away from the dryer.
- Do not assemble the ductwork with fasteners that extend into the duct. They will serve as a collection point for lint.
- Duct joints should be made air and moisture-tight by wrapping the overlapped joints with duct tape.
- Horizontal runs should slope down toward the outdoors 1.2cm (1/2 in.) /ft.

INSULATION

Duct work that runs through an unheated area or is near air conditioning should be insulated to reduce condensation and lint build-up.

4 EXHAUST CONNECTION

⚠ WARNING - TO REDUCE THE RISK OF FIRE OR PERSONAL INJURY:

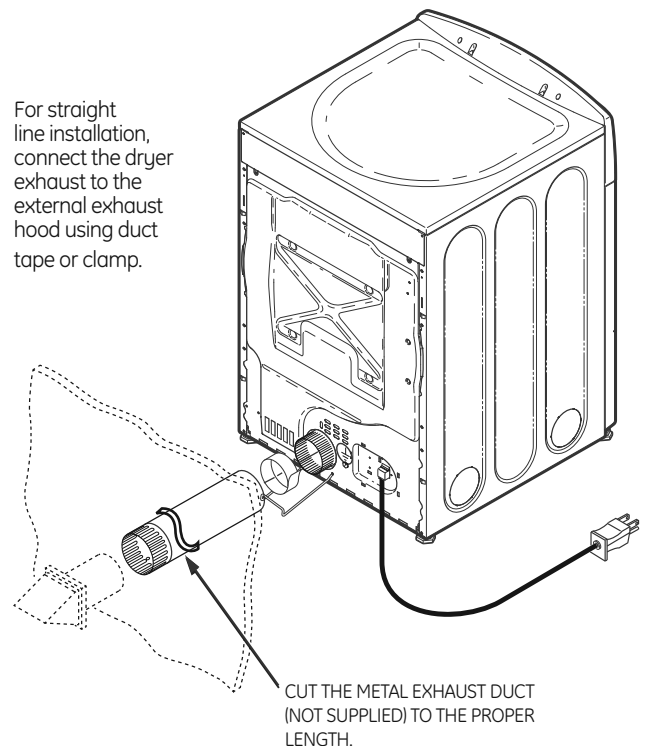
This dryer must be exhausted to the outdoors.

- Use only metal duct.
- Do not terminate exhaust in a chimney, any gas vent, under an enclosed floor (crawl space), or into an attic. The accumulated lint could create a fire hazard.
- Provide an access for inspection and cleaning of the exhaust system, especially at turns. Inspect and clean at least once a year.
- Never terminate the exhaust into a common duct with a kitchen exhaust. A combination of lint and grease could create a fire hazard.
- Do not obstruct incoming or exhausted air.

THIS DRYER COMES READY FOR REAR EXHAUSTING. IF SPACE IS LIMITED, USE THE INSTRUCTIONS IN SECTION 9 TO EXHAUST DIRECTLY FROM THE SIDES OR BOTTOM OF THE CABINET.

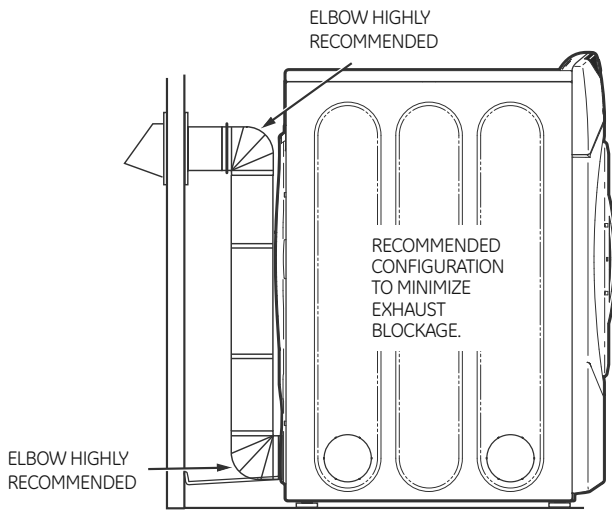
STANDARD REAR EXHAUST (Vented at floor level)

For straight line installation, connect the dryer exhaust to the external exhaust hood using duct tape or clamp.



NOTE: WE STRONGLY RECOMMEND SOLID METAL EXHAUST DUCTING. HOWEVER, IF FLEXIBLE DUCTING IS USED IT **MUST** BE METAL **NOT** PLASTIC.

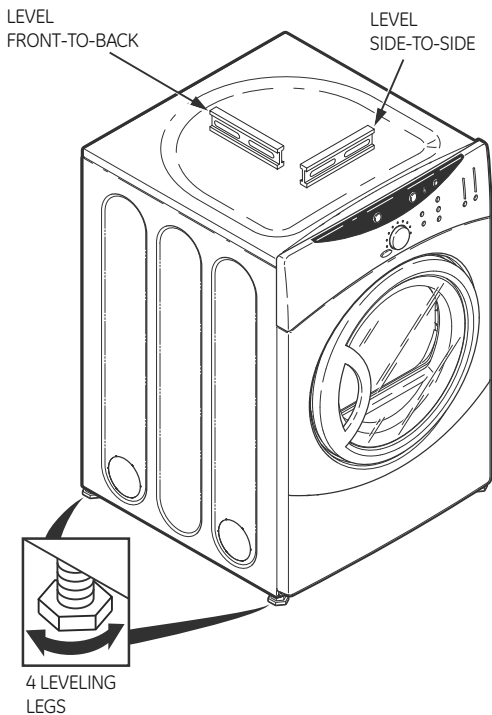
STANDARD REAR EXHAUST (Vented above floor level)



NOTE: ELBOWS WILL PREVENT DUCT KINKING AND COLLAPSING.

5 LEVELING AND STABILIZING YOUR DRYER

Stand the dryer upright near the final location and adjust the 4 leveling legs, at the corners, to ensure that the dryer is level from side to side and front to rear.



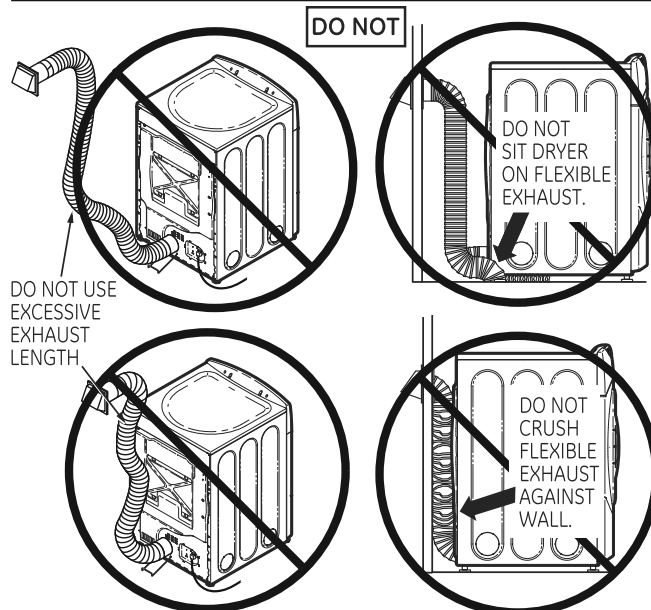
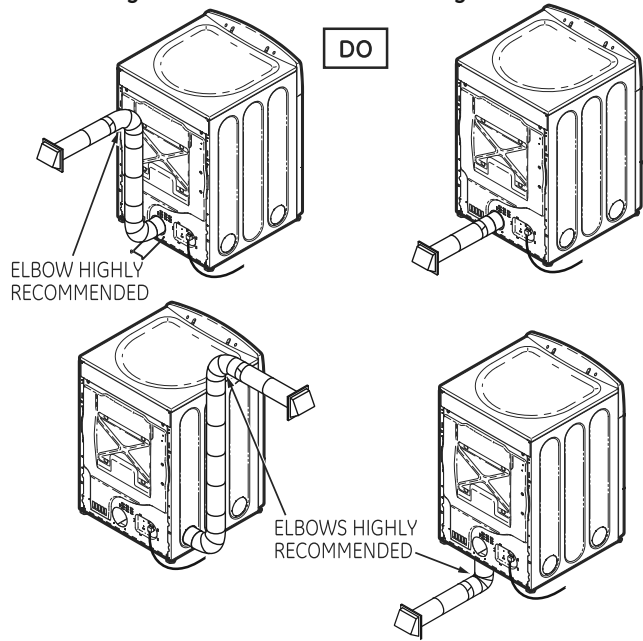
Electric Dryer

USING FLEXIBLE METAL DUCTS

If rigid all-metal duct cannot be used, then flexible all-metal ducting can be used, but it will reduce the maximum recommended duct length. In special installations when it is impossible to use only metal ducting, then UL-listed clothes dryer flexible metal transition duct may be used as transition venting between the dryer and wall connection only. The use of this ducting will affect dry time.

If flexible transition duct is necessary, the following directions must be followed.

- Use the shortest length possible.
- Stretch the duct to its maximum length to avoid kinks.
- Do not crush or collapse the duct.
- Extend vent protection bracket as described in step 1.
- Never use transition duct inside the wall or inside the dryer on page 2.
- Avoid resting the duct on sharp objects.
- **Venting must conform to local building codes.**



EXHAUSTING

A CLOTHES DRYER PRODUCES COMBUSTIBLE LINT. FOR ALL INSTALLATIONS, THE DRYER MUST BE CONNECTED TO AN EXHAUST TO THE OUTDOORS.

NOTE: MOBILE HOME, BEDROOM, BATHROOM, ALCOVE OR CLOSET INSTALLATIONS MUST BE EXHAUSTED TO THE OUTDOORS.

6 ALCOVE OR CLOSET INSTALLATION

- If your dryer is approved for installation in an alcove or closet, it will be stated on a label on the dryer back.
- The dryer **MUST** be vented to the outdoors. See the EXHAUST INFORMATION sections 3 & 4.
- Minimum clearance between dryer cabinet and adjacent walls or other surfaces is:
0 in. either side
7.6 cm (3 in.) front and rear
- Minimum vertical space from floor to overhead cabinets, ceiling, etc. is 109 cm (43 in.) without pedestal, 140 cm (55 in.) with pedestal.
- Closet doors must be louvered or otherwise ventilated and must contain a minimum of 387 sq. cm (60 sq. in.) of open area equally distributed. If the closet contains both a washer and a dryer, doors must contain a minimum of 774 sq. cm (120 sq. in.) of open area equally distributed.

NOTE: WHEN THE EXHAUST DUCT IS LOCATED AT THE REAR OF THE DRYER, MINIMUM CLEARANCE FROM THE WALL IS 14 cm (5.5 IN.)

7 BATHROOM OR BEDROOM INSTALLATION

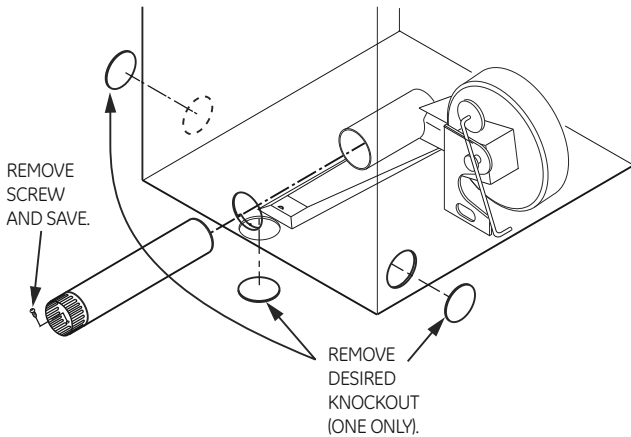
- The dryer **MUST** be vented to the outdoors. See EXHAUST INFORMATION section 3 & 4.
- The installation must conform with local codes or, in the absence of local codes, with the current CSA C22.1 Canadian Electrical code part 1.

8 MOBILE OR MANUFACTURED HOME INSTALLATION

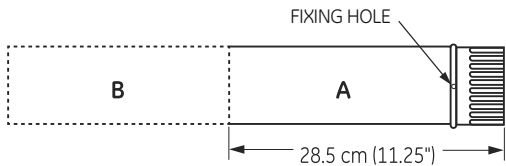
- Installation must conform to the current CAN/CSA Z240 MH series Mobile Home Installation Codes.
- The dryer **MUST** be vented to the outdoors with the termination securely fastened to the mobile home structure. (See EXHAUST INFORMATION section 3 & 4.)
- The vent **MUST NOT** be terminated beneath a mobile or manufactured home.
- The vent duct material **MUST BE METAL**.
- Do not use sheet metal screws or other fastening devices which extend into the interior of the exhaust vent.
- See section 2 for electrical connection information.

9 DRYER EXHAUST TO RIGHT, LEFT OR BOTTOM CABINET

⚠ WARNING - BEFORE PERFORMING THIS EXHAUST INSTALLATION, BE SURE TO DISCONNECT THE DRYER FROM ITS ELECTRICAL SUPPLY. PROTECT YOUR HANDS AND ARMS FROM SHARP EDGES WHEN WORKING INSIDE THE CABINET. BE SURE TO WEAR GLOVES.

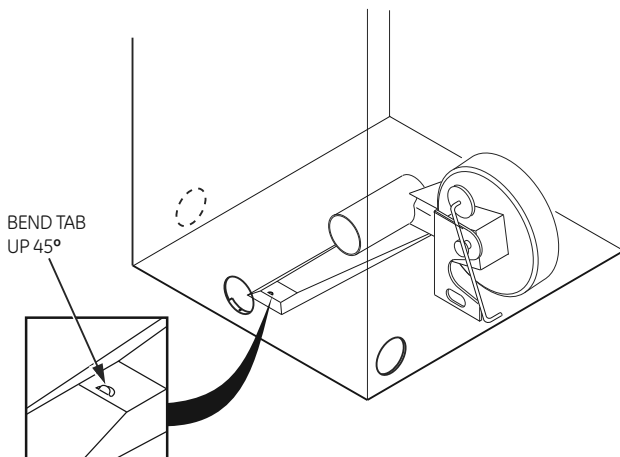


Detach and remove the bottom, right or left side knockout as desired. Remove the screw inside the dryer exhaust duct and save. Pull the duct out of the dryer.



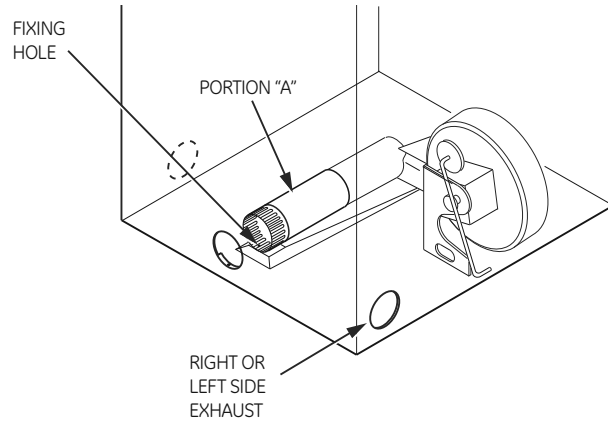
Cut the duct as shown and keep portion A.

TAB LOCATION



Through the rear opening, locate the tab in the middle of the appliance base. Lift the tab to about 45° using a flat blade screwdriver.

ADDING NEW DUCT

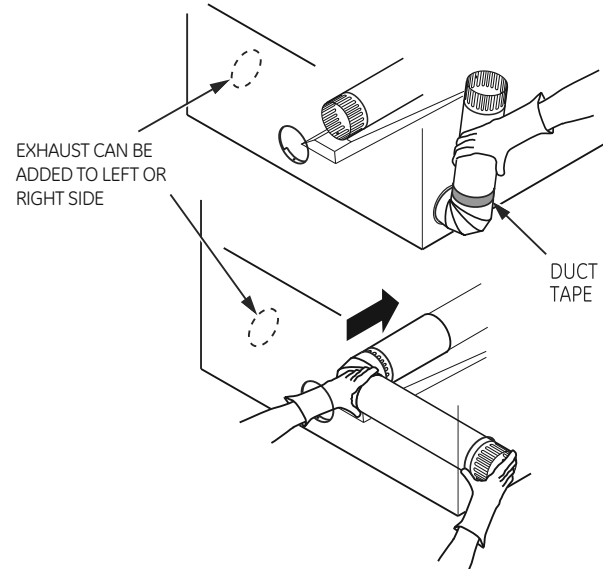


Reconnect the cut portion (A) of the duct to the blower housing. Make sure that the shortened duct is aligned with the tab in the base. Use the screw saved previously to secure the duct in place through the tab on the appliance base.

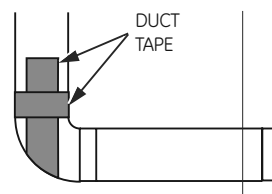
ADDING ELBOW AND DUCT FOR EXHAUST TO LEFT OR RIGHT SIDE OF CABINET

- Preassemble 10 cm (4") elbow with 10 cm (4") duct. Wrap duct tape around joint.
- Insert duct assembly, elbow first, through the side opening and connect the elbow to the dryer internal duct.

CAUTION: Be sure not to pull or damage the electrical wires inside the dryer when inserting the duct.



- Apply duct tape as shown on the joint between the dryer internal duct and the elbow.

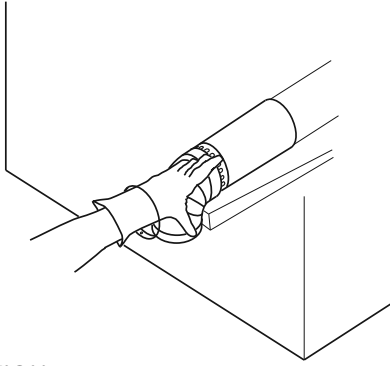


CAUTION: Internal duct joints must be secured with tape, otherwise they may separate and cause a safety hazard.

Electric Dryer

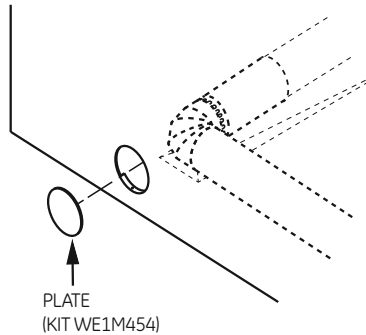
DRYER EXHAUST TO RIGHT, LEFT OR BOTTOM CABINET

- Insert the elbow through the rear opening and connect it to the dryer internal duct.
- Apply duct tape on the joint between the dryer internal duct and elbow, as shown on page 11.



CAUTION:
Internal duct joints must be secured with tape, otherwise they may separate and cause a safety hazard.

ADDING COVER PLATE TO REAR OF CABINET (SIDES AND BOTTOM EXHAUST)



Connect standard metal elbows and ducts to complete the exhaust system. Cover back opening with a plate (Kit WE1M454) available from your local service provider. Place dryer in final location.

⚠ WARNING - NEVER LEAVE THE BACK OPENING WITHOUT THE PLATE. (Kit WE1M454)

10 SERVICING

⚠ WARNING - LABEL ALL WIRES PRIOR TO DISCONNECTING WHEN SERVICING CONTROLS. WIRING ERRORS CAN CAUSE IMPROPER AND DANGEROUS OPERATION AFTER SERVICING/INSTALLATION.

For servicing phone numbers for replacement parts, and other information, refer to Owner's Manual or visit our Web site.

PEDESTALS FOR DRYERS (comes with individual installation instructions)

Available models: -SBSD227F
-SBSD137H
-SBSD107H

BEFORE YOU BEGIN:

Read these instructions completely and carefully.

IMPORTANT - Save these instructions for local inspector's use.

IMPORTANT - Observe all governing codes and ordinances.

Note to Installer - Be sure to leave these instructions with the customer.

Note to Customer - Keep these instructions with your Use and Care Book for future reference.

Before the old dryer is removed from service or discarded, remove the dryer door.

Service information and the wiring diagram are located in the control console.

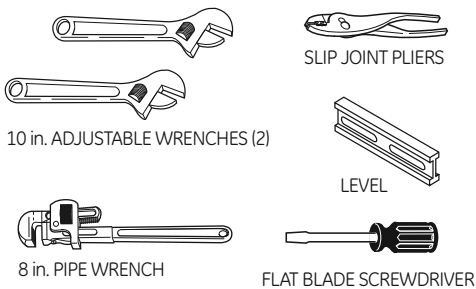
⚠ WARNING!

FOR YOUR SAFETY:

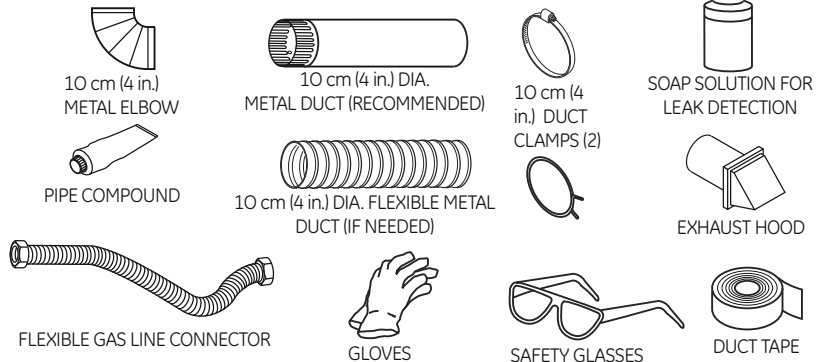
- Use only rigid metal or flexible metal 10 cm (4 in.) diameter ductwork for exhausting to the outdoors. Never use plastic or other combustible, easy-to-puncture ductwork.
- This appliance must be properly grounded and installed as described in these instructions.
- Do not install or store appliance in an area where it will be exposed to water and/or weather.
- Verify and conform to local regulations before installing an appliance in the garage.
- Install the dryer where the temperature is above 10° C (50°F) for satisfactory operation of the dryer control system.
- This dryer must be exhausted to the outdoors.
- Inspect the dryer exhaust outlet and straighten the outlet walls if they are bent.
- Do not allow children on or in the appliance. Close supervision of children is necessary when the appliance is used near children.

NOTE: Installation and service of this dryer requires basic mechanical and electrical skills. It is your responsibility to contact a qualified installer to make the electrical connections.

TOOLS YOU WILL NEED



MATERIALS YOU WILL NEED



- Step 1 Verify your gas installation (see section 2).
- Step 2 Prepare the area and exhaust for installation of new dryer (see section 1).
- Step 3 Check and ensure the existing external exhaust is clean (see section 1) and meets attached installation specifications (see section 6).
- Step 4 Remove the foam shipping pads (see section 1).
- Step 5 Move the dryer to the desired location.
- Step 6 Level your dryer (see section 8).
- Step 7 Connect the gas supply (see section 3) and check for leaks (see section 4)

- Step 8 Connect the external exhaust (see section 7).
- Step 9 Connect the power supply (see section 5).
- Step 10 Check the operation of the power supply, gas connections and venting.
- Step 11 Place the Use and Care in a location where it will be noticed by the owner.

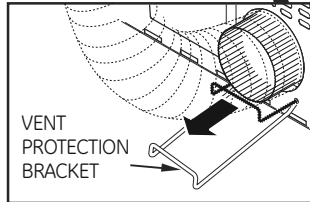
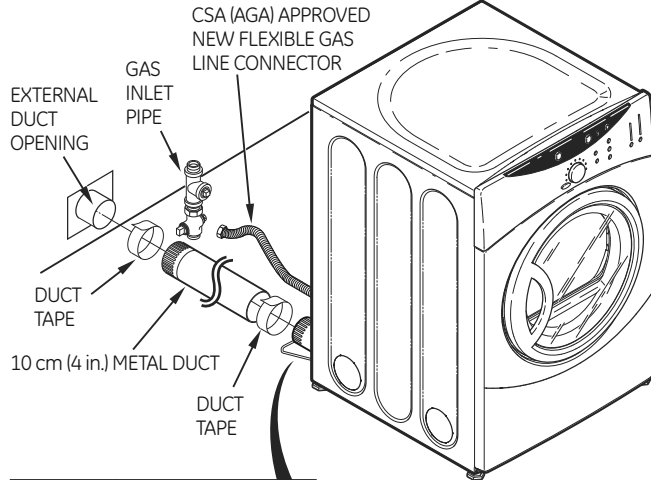
For alcove or closet installation, see section 9.
For bathroom or bedroom installation, see section 10.
For mobile or manufactured home see, section 11.

Gas Dryer

Minimum Clearance Other Than Alcove or Closet Installation

Minimum clearance to combustible surfaces and for air opening are: 0 cm (0 in.) clearance both sides and 2.5 cm (1 in.) rear. Consideration **must** be given to provide adequate clearance for installation and service.

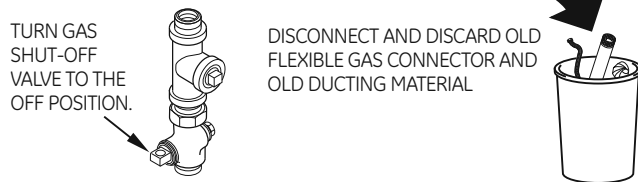
1 PREPARING FOR INSTALLATION OF NEW DRYER



Pull the vent protection bracket out until it stops, and let it rest on the floor. The bracket prevents the unit from moving too close to the wall and crushing the rear vent. Prolong by adding a DASHED FLEXIBLE duct.

TIP: Install your dryer before installing your washer. This will allow better access when installing dryer exhaust.

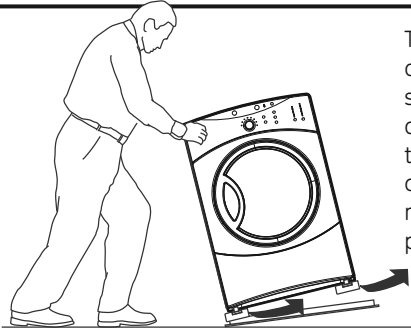
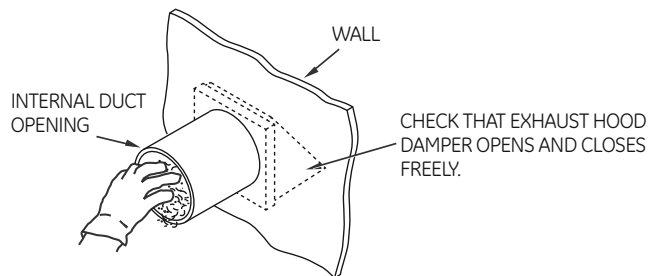
DISCONNECTING GAS



WARNING - NEVER REUSE OLD FLEXIBLE CONNECTORS.

The use of old flexible connectors can cause leaks and personal injury. Always use new flexible connectors when installing gas appliances.

REMOVING LINT FROM WALL EXHAUST OPENING



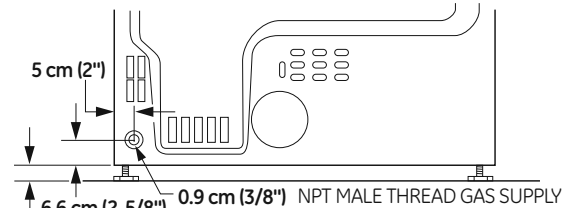
Tilt the dryer sideways and remove the foam shipping pads by pulling at the sides and breaking them away from the dryer legs. Be sure to remove all of the foam pieces around the legs.

2 GAS REQUIREMENTS

WARNING!

- Installation must conform to local codes and ordinances, or in their absence, the **NCAN/CGA-B149**, Natural Gas, Installation.
- This gas dryer is equipped with a Valve & Burner Assembly for use only with natural gas. Using conversion kit **WE25M43**, your local service organization can convert this dryer for use with propane (LP) gas. **ALL CONVERSIONS MUST BE MADE BY PROPERLY TRAINED AND QUALIFIED PERSONNEL AND IN ACCORDANCE WITH LOCAL CODES AND ORDINANCE REQUIREMENTS OF THE CAN/CGA-B149.1 AND B149.2 INSTALLATION CODE.**
- The dryer must be disconnected from the gas supply piping system during any pressure testing of that system at a test pressure in excess of 0.5 PSI (3.4 KPa).
- The dryer must be isolated from the gas supply piping system by closing the equipment shut-off valve during any pressure testing of the gas supply piping of test pressure equal to or less than 0.5 PSI (3.4 KPa).

DRYER GAS SUPPLY CONNECTION

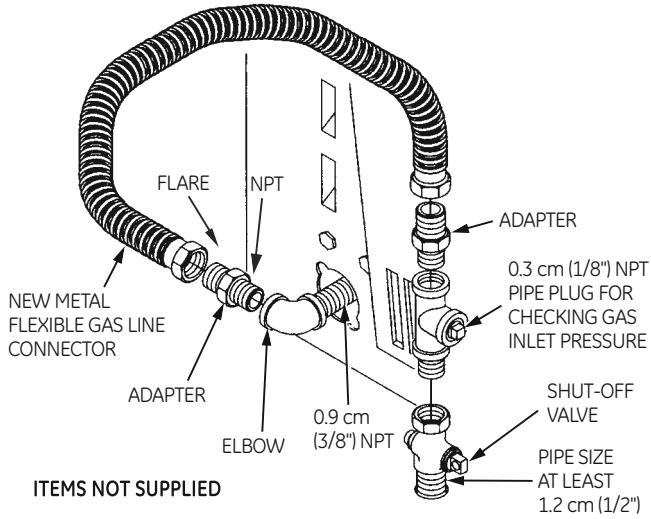


GAS SUPPLY

- A 0.3 cm (1/8-in.) National Pipe Taper thread plugged tapping, accessible for test gauge connection, must be installed immediately upstream of the gas supply connection to the dryer. Contact your local gas utility should you have questions on the installation of the plugged tapping.
- Supply line is to be 1.2 cm (1/2-in.) rigid pipe and equipped with an accessible shut-off within 2 m (6 ft.) of, and in the same room with, the dryer.
- Use pipe thread sealer compound appropriate for natural or LP gas or use Teflon tape.
- You must use with this dryer a flexible metal connector listed connector ANSI Z21.24 / CSA 6.10.
- Connect flexible metal connector to dryer and gas supply.
- Open shut-off valve.

3 RECONNECTING GAS

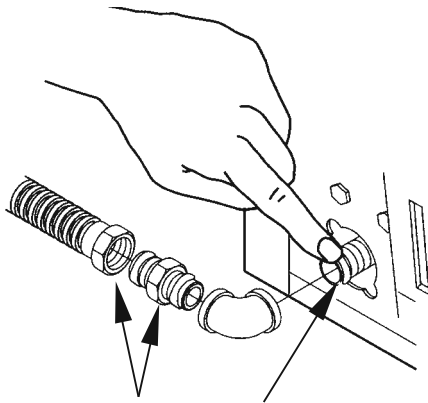
Listed connector ANSIZ21.24 / CSA 6.10



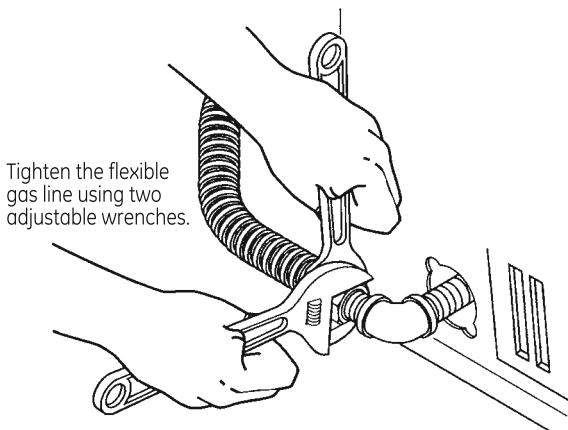
ITEMS NOT SUPPLIED

Note: The connector and fittings are designed for use only on the original installation and are not to be reused for another appliance or at another location. Keep flare end of adapter free of grease, oil and thread sealant.

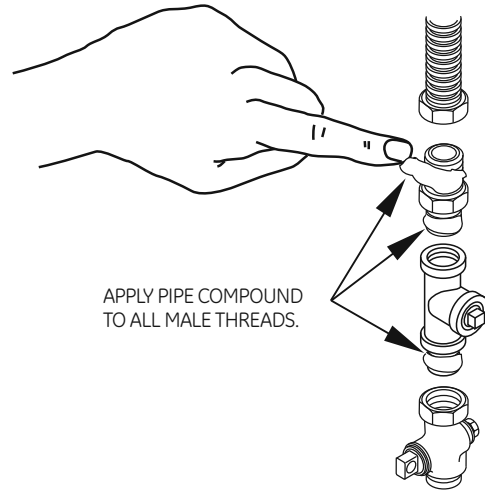
Caution: Use adapters as shown. Connector nuts must not be connected directly to pipe threads.



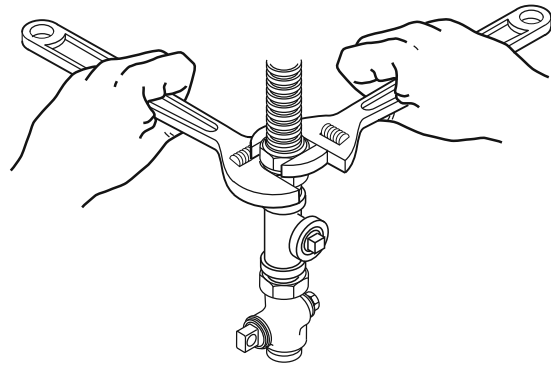
APPLY PIPE COMPOUND TO THE ADAPTER AND DRYER GAS INLET.



Tighten the flexible gas line using two adjustable wrenches.



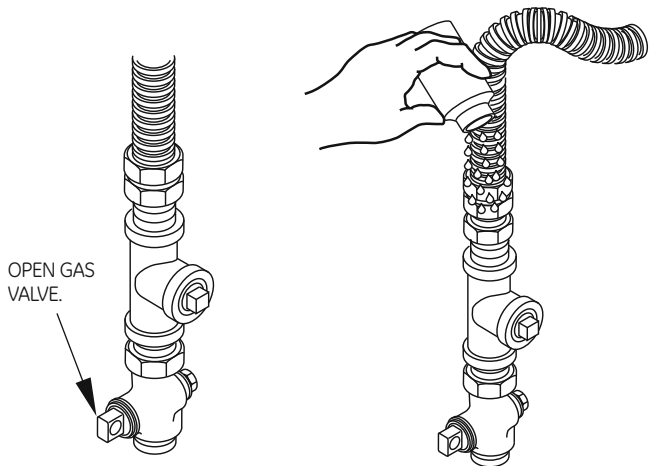
APPLY PIPE COMPOUND TO ALL MALE THREADS.



Tighten all connections using two adjustable wrenches. Do not overtorque gas connections!

4 LEAK TEST

⚠ WARNING - NEVER USE AN OPEN FLAME TO TEST FOR GAS LEAKS.



OPEN GAS VALVE.

Check all connections for leaks with soapy solution or equivalent. Apply soap solution. **Leak test solution must not contain ammonia which could cause damage to the brass fittings.** If leaks are found, close valve, retighten the joint, and repeat the soap test.

Gas Dryer

5 ELECTRICAL CONNECTION INFORMATION

⚠ WARNING - TO REDUCE THE RISK OF FIRE, ELECTRICAL SHOCK AND PERSONAL INJURY: DO NOT USE AN EXTENSION CORD OR AN ADAPTER PLUG WITH THIS APPLIANCE.

Dryer must be electrically grounded in accordance with local codes and ordinances, or in the absence of local codes, in accordance with the current CSA C22.1 Canadian Electrical code part 1. Improper connection of the equipment-grounding conductor can result in an electric shock. Check with a qualified electrician or service representative or personnel if you are in doubt as to whether the appliance is properly grounded.

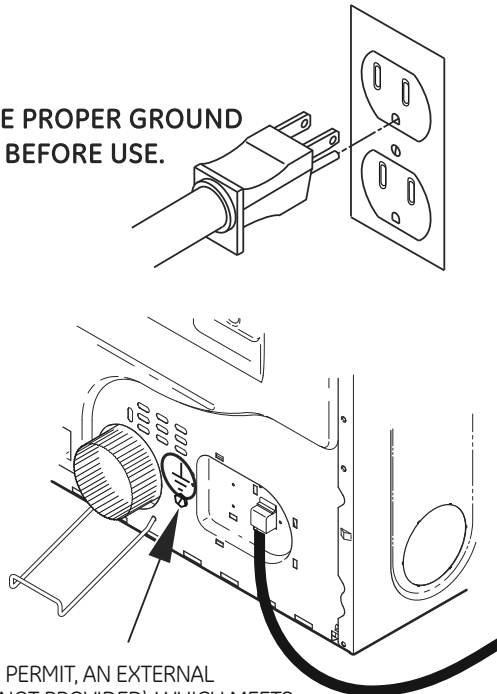
Do not modify the plug provided with the appliance: if it will not fit the outlet, have a proper outlet installed by a qualified electrician.

ELECTRICAL REQUIREMENTS

This appliance must be supplied with 120V, 60Hz, and connected to a properly grounded branch circuit, protected by a 15- or 20-amp circuit breaker or time-delay fuse. If electrical supply provided does not meet the above specifications, it is recommended that a licensed electrician install an approved outlet.

⚠ WARNING - THIS DRYER IS EQUIPPED WITH A THREE-PRONG (GROUNDING) PLUG FOR YOUR PROTECTION AGAINST SHOCK HAZARD AND SHOULD BE PLUGGED DIRECTLY INTO A PROPERLY GROUNDED THREE-PRONG RECEPTACLE. DO NOT CUT OR REMOVE THE GROUNDING PRONG FROM THIS PLUG. INSTALLATION MUST BE IN ACCORDANCE WITH THE CURRENT CSA C22.1 CANADIAN ELECTRICAL CODE PART 1 AND/OR LOCAL CODES.

ENSURE PROPER GROUND EXISTS BEFORE USE.



IF LOCAL CODES PERMIT, AN EXTERNAL GROUND WIRE (NOT PROVIDED), WHICH MEETS LOCAL CODES, MAY BE ADDED BY ATTACHING TO THE GREEN GROUND SCREW ON THE REAR OF THE DRYER, AND TO A GROUNDED METAL COLD WATER PIPE OR OTHER ESTABLISHED GROUND.

6 EXHAUST INFORMATION

⚠ WARNING - USE ONLY METAL 10 cm (4in.) DUCT. DO NOT USE DUCT LONGER THAN SPECIFIED IN THE EXHAUST LENGTH TABLE.

Using exhaust longer than specified length will:

- Increase the drying times and the energy cost.
- Reduce the dryer life.
- Accumulate lint, creating a potential fire hazard.

The correct exhaust installation is YOUR RESPONSIBILITY. Problems due to incorrect installation are not covered by the warranty.

The MAXIMUM ALLOWABLE length of the exhaust system depends upon the type of duct, number of turns, the type of exhaust hood (wall cap), and all conditions noted below. Both rigid and flexible metal duct are shown in the table below.

EXHAUST LENGTH

No. of 90° Elbows	RECOMMENDED MAXIMUM LENGTH			
	Exhaust Hood Types			
	Recommended		Use only for short run installations	
0	Rigid Metal	Flexible Metal	Rigid Metal	Flexible Metal
1	27.4 m (90 ft.)	16.8 m (55 ft.)	18.3 m (60 ft.)	13.7 m (45 ft.)
2	18.3 m (60 ft.)	12.2 m (40 ft.)	13.7 m (45 ft.)	9.1 m (30 ft.)
3	13.7 m (45 ft.)	9.1 m (30 ft.)	10.7 m (35 ft.)	6.1 m (20 ft.)
	10.7 m (35 ft.)	6.1 m (20 ft.)	7.6 m (25 ft.)	4.6 m (15 ft.)

If using flexible metal duct, please refer to page 18.

EXHAUST SYSTEM CHECKLIST

HOOD OR WALLCAP

- Terminate in a manner to prevent back drafts or entry of birds or other wildlife.
- Termination should present minimal resistance to the exhaust air flow and should require little or no maintenance to prevent clogging.
- Never install a screen in or over the exhaust duct.
- Wall caps must be installed at least 30 cm (12 in.) above ground level or any other obstruction with the opening pointed down.
- If roof vents or louvered plenums are used, they must be equivalent to a 10 cm (4 in.) dampened wall cap in regard to resistance to air flow, prevention of back drafts, and maintenance required to prevent clogging.

SEPARATION OF TURNS

For best performance, separate all turns by at least 1.2 m (4 ft.) of straight duct, including distance between last turn and dampened wall cap.

TURNS OTHER THAN 90°

- One turn of 45° or less may be ignored.
- Two 45° turns should be treated as one 90° turn.
- Each turn over 45° should be treated as one 90° turn.

SEALING OF JOINTS

- All joints should be tight to avoid leaks. The male end of each section of duct must point away from the dryer.
- Do not assemble the ductwork with fasteners that extend into the duct. They will serve as a collection point for lint.
- Duct joints should be made air- and moisture-tight by wrapping the overlapped joints with duct tape.
- Horizontal runs should slope down toward the outdoors 1.2cm (1/2 in.)/ft.

INSULATION

Duct work that runs through an unheated area or is near air conditioning should be insulated to reduce condensation and lint build-up.

7 EXHAUST CONNECTION

⚠ WARNING - TO REDUCE THE RISK OF FIRE OR PERSONAL INJURY:

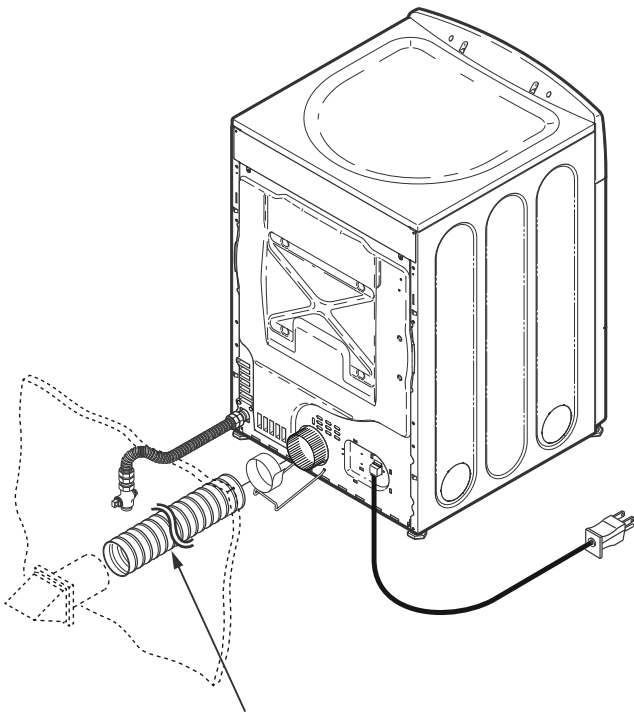
This dryer must be exhausted to the outdoors.

- Use only metal duct.
- Do not terminate exhaust in a chimney, any gas vent, under an enclosed floor (crawl space), or into an attic. The accumulated lint could create a fire hazard.
- Provide an access for inspection and cleaning of the exhaust system, especially at turns. Inspect and clean at least once a year.
- Never terminate the exhaust into a common duct with a kitchen exhaust. A combination of lint and grease could create a fire hazard.
- Do not obstruct incoming or exhausted air.

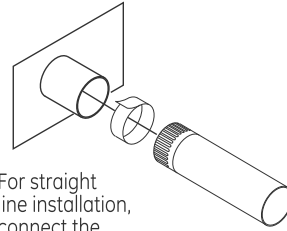
WE RECOMMEND THAT YOU INSTALL YOUR DRYER BEFORE YOUR WASHER. THIS WILL PERMIT DIRECT ACCESS FOR EASIER EXHAUST CONNECTION.

THIS DRYER COMES READY FOR REAR EXHAUSTING. IF SPACE IS LIMITED, USE THE INSTRUCTIONS IN SECTION 12 TO EXHAUST DIRECTLY FROM THE LEFT SIDE OR BOTTOM OF THE CABINET.

STANDARD REAR EXHAUST

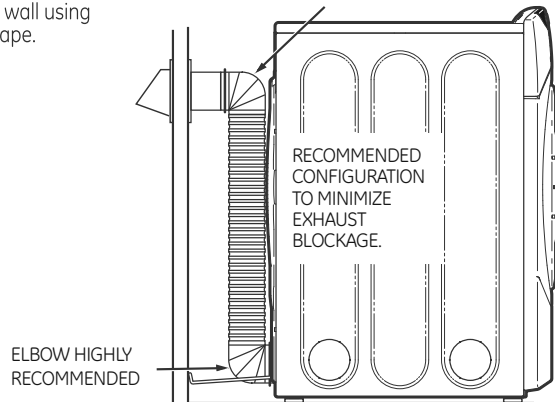


WE STRONGLY RECOMMEND THE USE OF RIGID METAL EXHAUST DUCT. IF USING FLEXIBLE METAL DUCT, CUT IT TO THE PROPER LENGTH AND AVOID BUNCHING OF THE DUCT BEHIND THE DRYER.



For straight line installation, connect the dryer exhaust to the wall using duct tape.

ELBOW HIGHLY RECOMMENDED



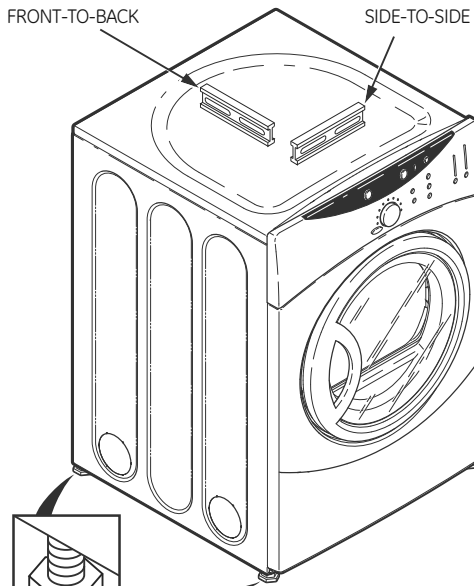
NOTE: ELBOWS WILL PREVENT DUCT KINKING AND COLLAPSING.

8 LEVELING DRYER

Stand the dryer upright near the final location and adjust the 4 leveling legs to match the height of your washer.

LEVEL FRONT-TO-BACK

LEVEL SIDE-TO-SIDE



4 LEVELING LEGS

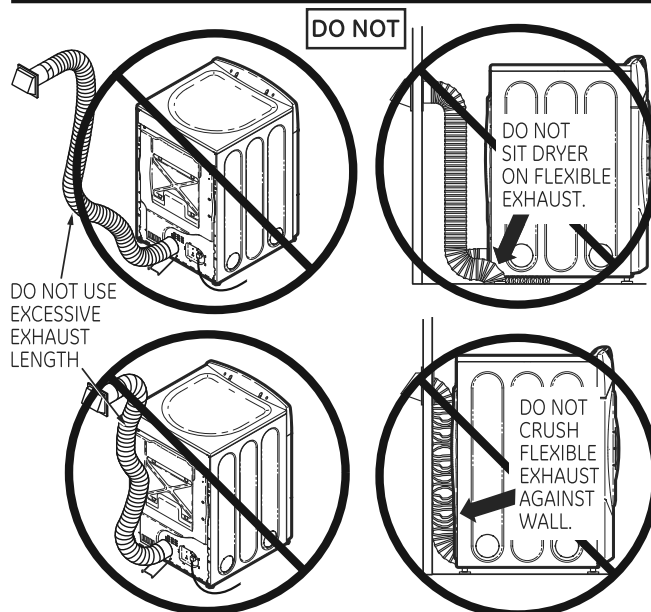
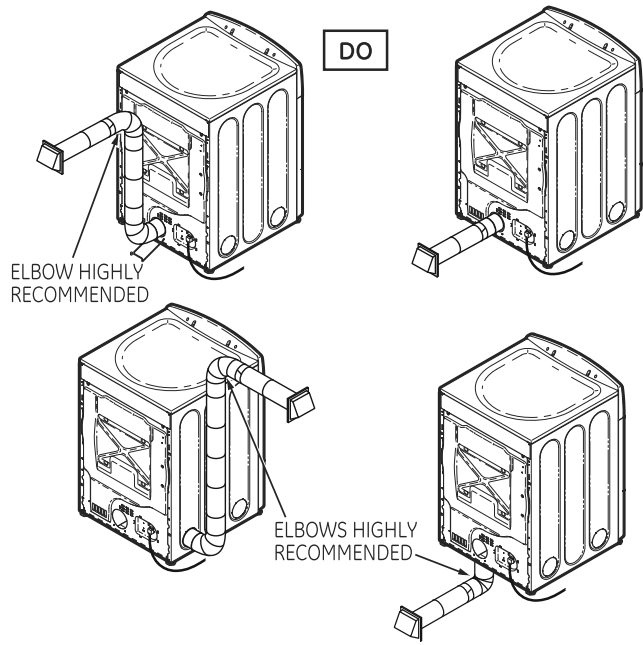
Gas Dryer

USING FLEXIBLE METAL DUCTS

If rigid all-metal duct cannot be used, then flexible all-metal venting can be used, but it will reduce the maximum recommended duct length. In special installations when it is impossible to use only metal ducting, then UL-listed clothes dryer flexible metal transition duct may be used as transition venting between the dryer and wall connection only. The use of this ducting will affect dry time.

If flexible transition duct is necessary, the following directions must be followed.

- Use the shortest length possible.
- Stretch the duct to its maximum length to avoid kinks.
- Do not crush or collapse the duct.
- Extend vent protection bracket as described in step 1 on page 2.
- Never use transition duct inside the wall or inside the dryer.
- Avoid resting the duct on sharp objects.
- **Venting must conform to local building codes.**



EXHAUSTING

A CLOTHES DRYER PRODUCES COMBUSTIBLE LINT. FOR ALL INSTALLATIONS, THE DRYER MUST BE CONNECTED TO AN EXHAUST TO THE OUTDOORS.

NOTE: MOBILE HOME, BEDROOM, BATHROOM, ALCOVE OR CLOSET INSTALLATIONS MUST BE EXHAUSTED TO THE OUTDOORS.

9 ALCOVE OR CLOSET INSTALLATION

- If your dryer is approved for installation in an alcove or closet, it will be stated on a label on the dryer back.
- The dryer **MUST** be vented to the outdoors. See the EXHAUST INFORMATION sections 3 & 4.
- Minimum clearance between dryer cabinet and adjacent walls or other surfaces is:
 - 0 in. either side
 - 7.6 cm (3 in.) front and rear
- Minimum vertical space from floor to overhead cabinets, ceiling, etc. is 109 cm (43 in.) without pedestal, 140 cm (55 in.) with pedestal.
- Closet doors must be louvered or otherwise ventilated and must contain a minimum of 387 sq. cm (60 sq. in.) of open area equally distributed. If the closet contains both a washer and a dryer, doors must contain a minimum of 774 sq. cm (120 sq. in.) of open area equally distributed.
- The closet should be vented to the outdoors to prevent gas pocketing in case of a gas leak in the supply line.
- No other fuel-burning appliance shall be installed in the same closet with the dryer.

NOTE: WHEN THE EXHAUST DUCT IS LOCATED AT THE REAR OF THE DRYER, MINIMUM CLEARANCE FROM THE WALL IS 14 cm (5.5 IN.)

10 BATHROOM OR BEDROOM INSTALLATION

- The dryer **MUST** be vented to the outdoors. See EXHAUST INFORMATION section 6.
- The installation must conform with local codes or, in the absence of local codes, with the current CSA C22.1 Canadian Electrical code part 1.

11 MOBILE OR MANUFACTURED HOME INSTALLATION

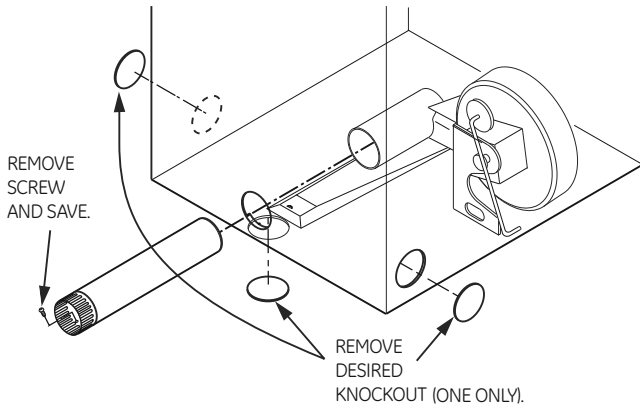
- Installation must conform to the current CAN/CSA Z240 MH series Mobile Home Installation Codes.
- The dryer **MUST** be vented to the outdoors with the termination securely fastened to the mobile home structure. (See EXHAUST INFORMATION section 6.)
- The vent **MUST NOT** be terminated beneath a mobile or manufactured home.
- The vent duct material **MUST BE METAL**.
- KIT 14-D346-33 **MUST** be used to attach the dryer securely to the structure.
- The vent **MUST NOT** be connected to any other duct, vent, or chimney.
- Do not use sheet metal screws or other fastening devices which extend into the interior of the exhaust vent.
- Provide an opening with a free area of at least 161 cm sq. (25 sq. in.) for introduction of outside air into the dryer room.

12 RESIDENTIAL GARAGE INSTALLATION

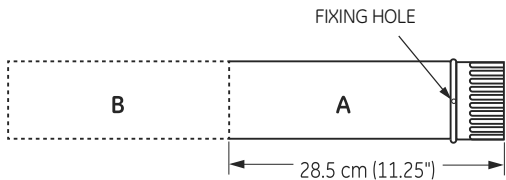
Dryers installed in residential garages must be elevated 18 inches (46 cm) above the floor.

13 DRYER EXHAUST TO LEFT OR BOTTOM CABINET

⚠ WARNING - PROTECT YOUR HANDS AND ARMS FROM SHARP EDGES WHEN WORKING INSIDE THE CABINET.

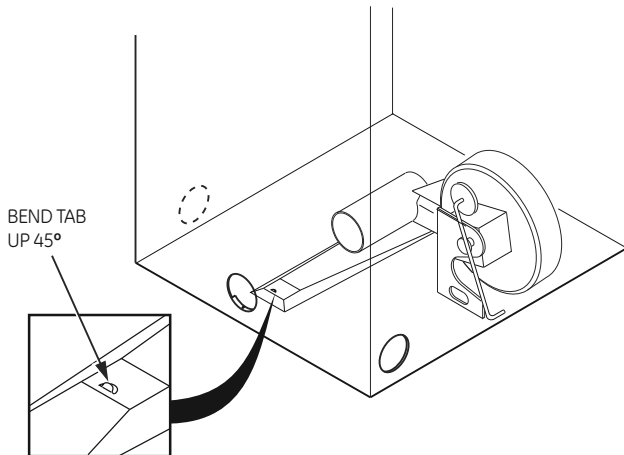


Detach and remove the bottom, right or left side knockout as desired. Remove the screw inside the dryer exhaust duct and save. Pull the duct out of the dryer. Protect sharp edges around the knockout and exhaust opening with the tape.



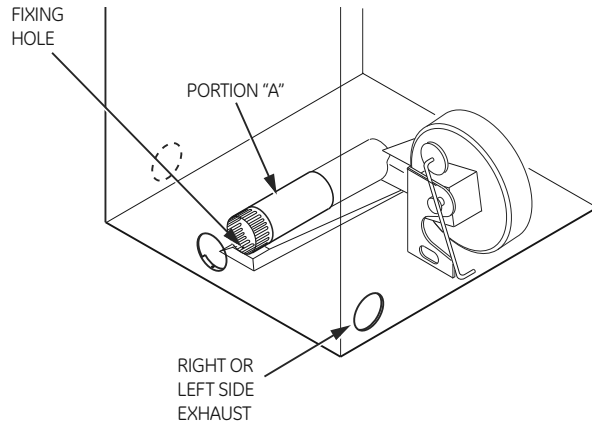
Cut the duct as shown and keep portion A.

TAB LOCATION



Through the rear opening, locate the tab in the middle of the appliance base. Lift the tab to about 45° using a flat blade screwdriver.

ADDING NEW DUCT

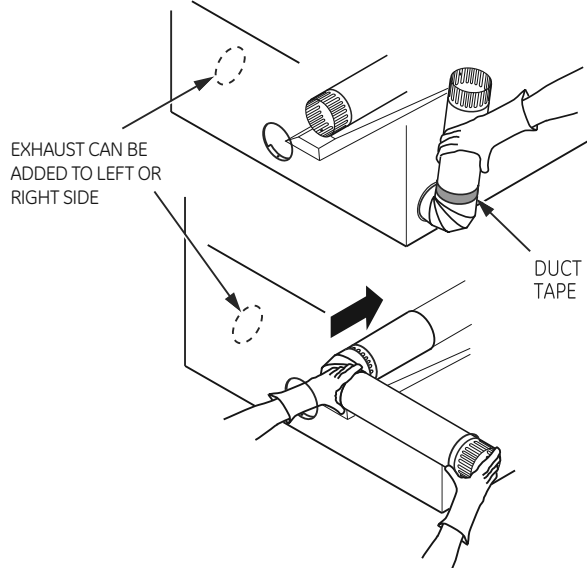


Reconnect the cut portion (A) of the duct to the blower housing. Make sure that the fixing hole is aligned with the tab in the base. Use the screw saved previously to secure the duct in place through the tab on the appliance base.

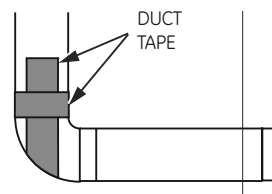
ADDING ELBOW AND DUCT FOR EXHAUST TO RIGHT SIDE OF CABINET

- Preassemble 10 cm (4") elbow with 10 cm (4") duct. Wrap duct tape around joint.
- Insert duct assembly, elbow first, through the side opening and connect the elbow to the dryer internal duct.

CAUTION: Be sure not to pull or damage the electrical wires inside the dryer when inserting the duct.



- Apply duct tape as shown on the joint between the dryer internal duct and the elbow.

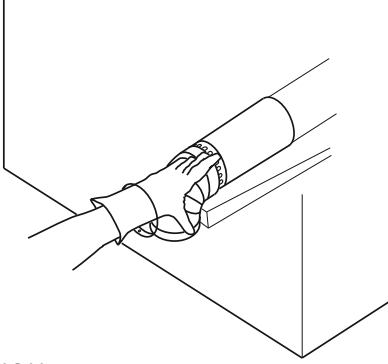


CAUTION: Internal duct joints must be secured with tape, otherwise they may separate and cause a safety hazard.

Gas Dryer

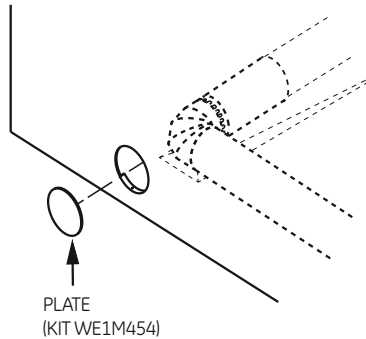
ADDING ELBOW FOR EXHAUST THROUGH BOTTOM OF CABINET

- Insert the elbow through the rear opening and connect it to the dryer internal duct.
- Apply duct tape on the joint between the dryer internal duct and elbow, as shown on page 7.



CAUTION:
Internal duct joints must be secured with tape, otherwise they may separate and cause a safety hazard.

ADDING COVER PLATE TO REAR OF CABINET



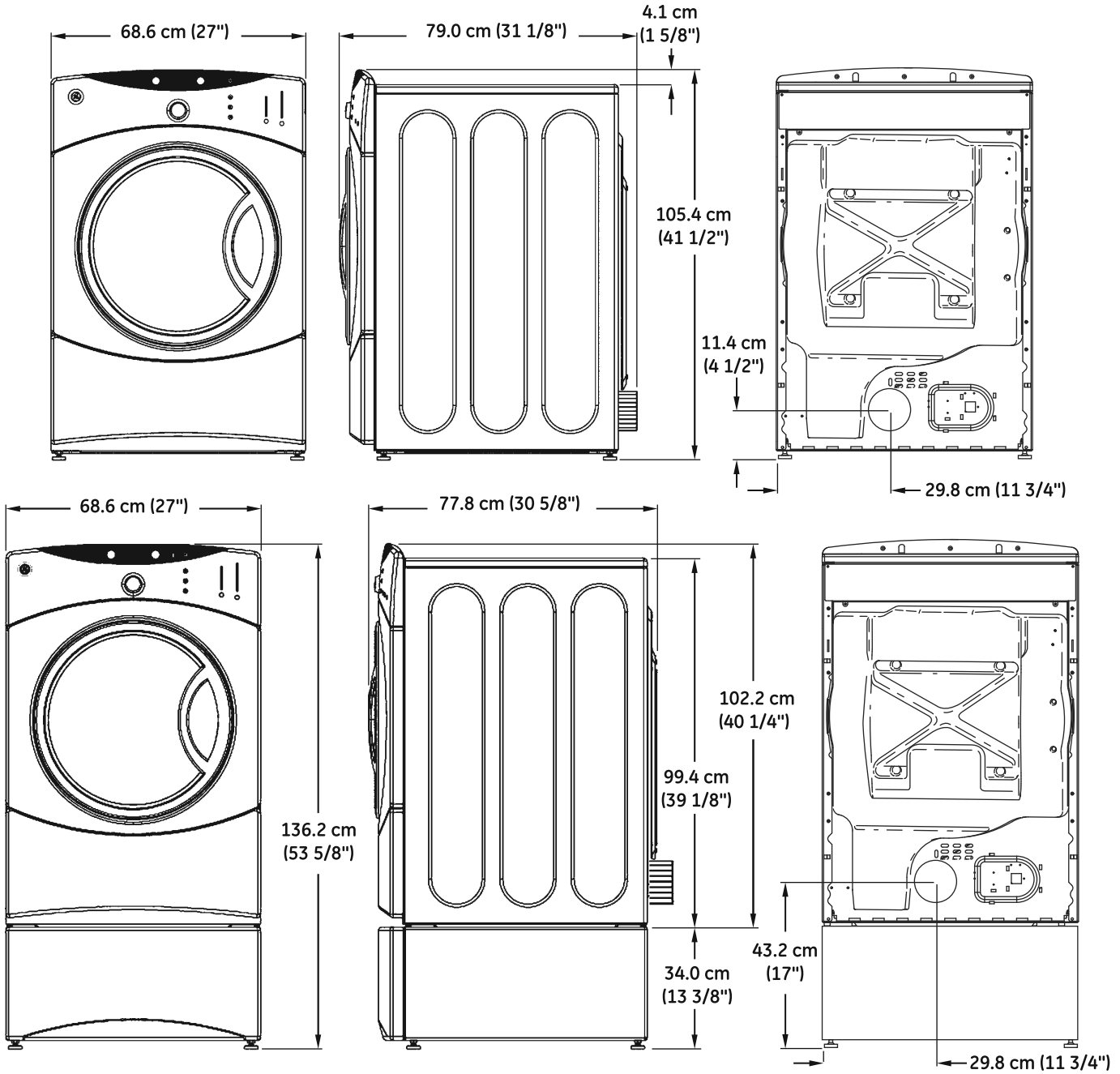
Connect standard metal elbows and ducts to complete the exhaust system. Cover back opening with a plate (Kit WE1M454) available from your local service provider. Place dryer in final location.

⚠ WARNING - NEVER LEAVE THE BACK OPENING WITHOUT THE PLATE. (Kit WE1M454)

14 SERVICING

⚠ WARNING - LABEL ALL WIRES PRIOR TO DISCONNECTING WHEN SERVICING CONTROLS. WIRING ERRORS CAN CAUSE IMPROPER AND DANGEROUS OPERATION AFTER SERVICING/INSTALLATION.

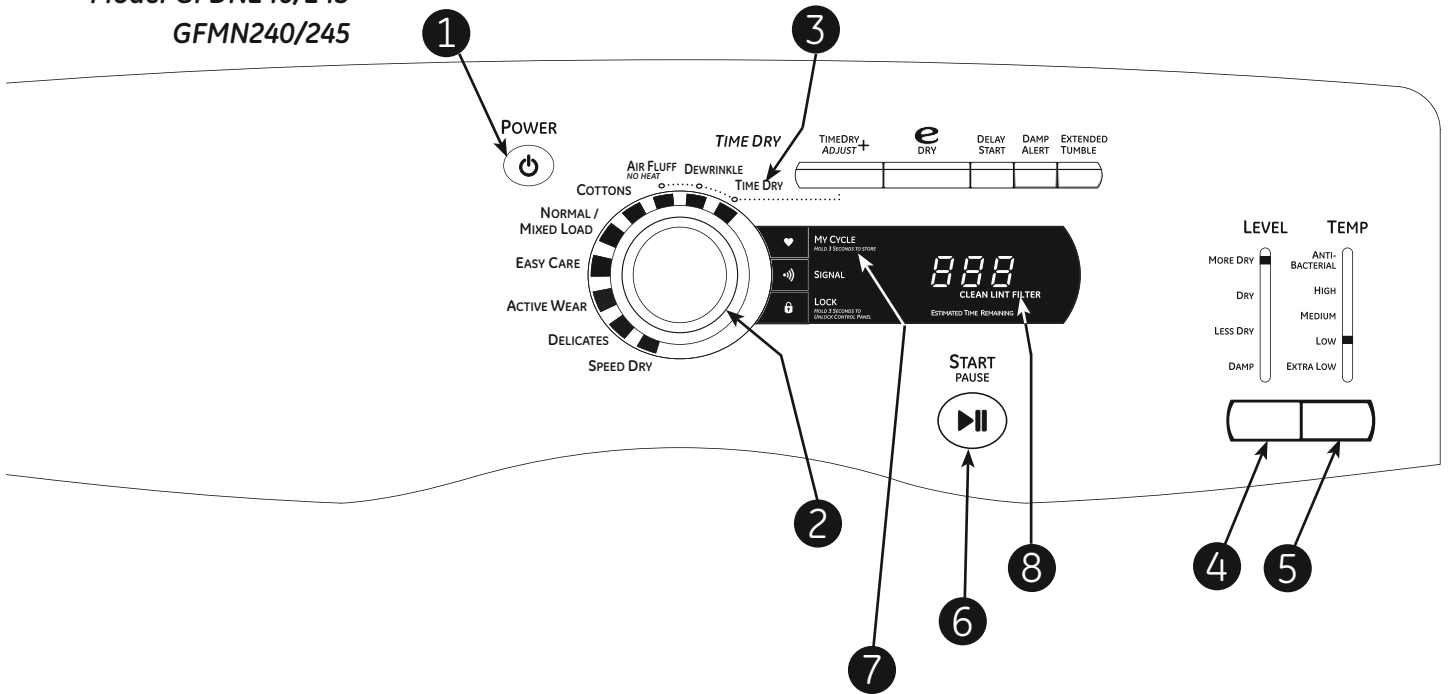
For servicing phone numbers for replacement parts, and other information, refer to Owner's Manual or visit our Web site.



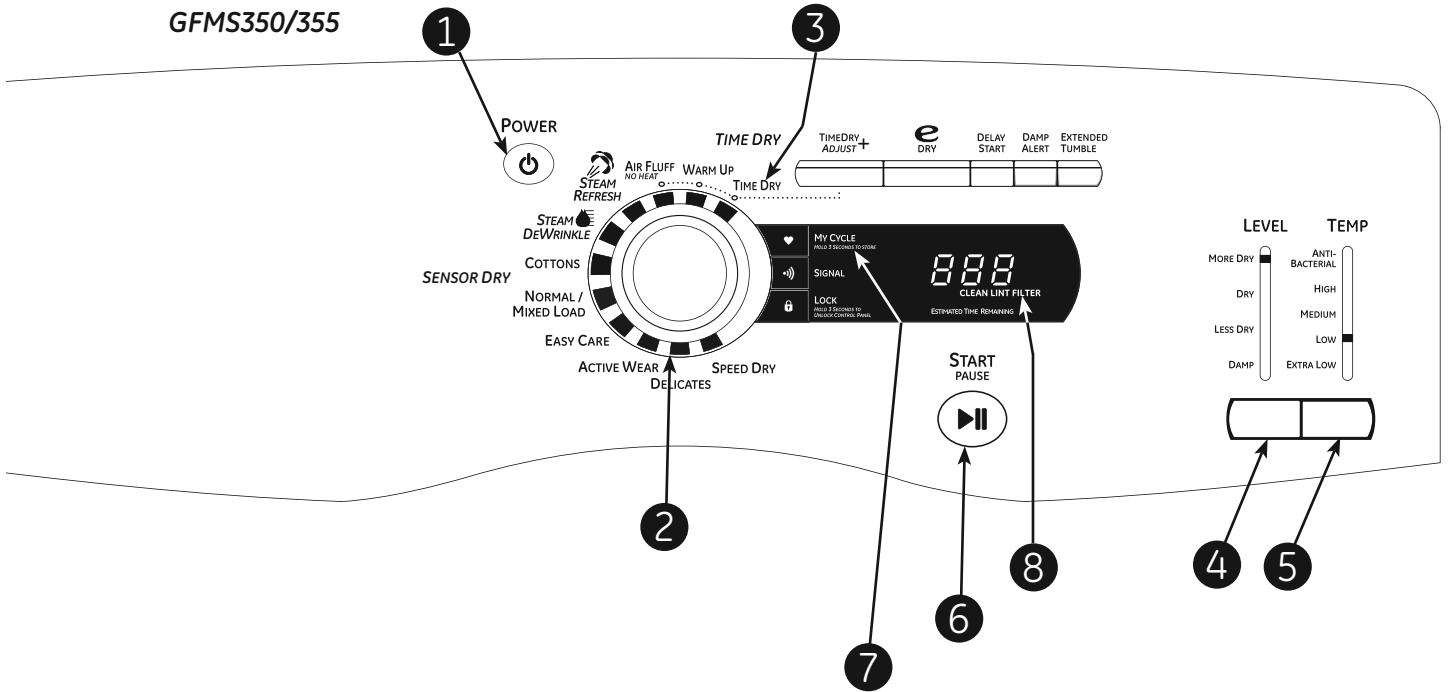
About the dryer control panel.

You can locate your model number at the top inside of the door opening.

Model GFDN240/245
GFMN240/245



Model GFDS350/355
GFMS350/355



1 Power

Press to “wake up” the display. If the display is active, press to put the dryer in the standby mode.

NOTE: Pressing **POWER** does not disconnect the appliance from the power supply.

2 Dry Cycles

The dry cycle controls the length and tumble speed of the drying process. The chart below will help you match the dry setting with the loads.

Sensor Cycles	Description
COTTONS	For cottons and most linens.
NORMAL/MIXED LOADS	For loads consisting of cottons and poly-blends.
EASY CARE	For wrinkle-free and permanent press items.
ACTIVE WEAR	Clothing worn for active sports exercise and some casual wear. Fabrics include new technology finishes and stretch fibers such as Spandex.
DELICATES	For lingerie and special-care fabrics.
SPEED DRY	For small loads that are needed in a hurry, such as sports or school uniforms. Can also be used if the previous cycle left some items damp, such as collars or waistbands.

Timed Dry Cycles	Description
WARM UP	Provides 10 minutes of warming time to warm up clothes.
AIR FLUFF	Use this feature to tumble items without heat.
DEWRINKLE <i>(on some models)</i>	For removing wrinkles from items that are dry or slightly damp. This cycle is not recommended for delicate fabrics.
STEAM REFRESH <i>(on some models)</i>	For slightly wrinkled dry garments. Significantly reduces wrinkles on up to 5 garments. After the STEAM REFRESH Cycle, the unit will beep and display “0:00.” If the unit is not turned off or if the door is not opened, the dryer will continue to tumble for 30 minutes. At the end of 30 minutes, it will display “0:00” and the cycle will be complete. Note: A single extremely light fabric item may need to have an additional item included in the STEAM REFRESH cycle to achieve optimum results.
STEAM DEWRINKLE <i>(on some models)</i>	For use with larger loads than STEAM REFRESH . Ideal for loads left in dryer for an extended time.

My Cycle	Description
MY CYCLE	Press to use, create or modify custom dry cycles. (See page 8 for more details)

3 Timed Dry

Use to set your own dry time. **TIMED DRY** is also recommended for small loads

To use TIMED DRY:

1. Turn dry cycle dial to **TIMED DRY**.
2. Increase the drying time by pressing the **TIMEDRY ADJUST +** button.

Note: This button only increases the time. When max time is reached, pressing the button again will reset the counter to the lowest setting.

3. Select the **TEMP**.
4. Close the door.
5. Press **Start**


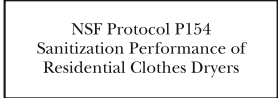
4 Sensor Dry "Level"

The sensor continuously monitors the amount of moisture in the load. When the moisture in your clothes reaches your selected dry level, the dryer will stop.

Note: Sensor dry "LEVEL" only works for **COTTONS, NORMAL/MIXED LOAD, ACTIVE WEAR, DELICATES, and SPEED DRY.**

5 Dry "Temp"

You can change the temperature of your dry cycle.

ANTI-BACTERIAL	This option may only be used with COTTONS or NORMAL/MIXED LOAD cycles. This option reduces (on some models) certain types of bacteria by 99.9%, including: Staphylococcus aureus, Pseudomonas aeruginosa and Klebsiella pneumoniae*. The anti-bacterial process occurs when high heat is used during a portion of this drying cycle. NOTE: Do not use this cycle on delicate fabrics. * The Anti-Bacterial Cycle is Certified by NSF International (formerly National Sanitation Foundation) to NSF Protocol P154 Sanitization Performance of Residential Clothes Dryers.  
HIGH	For regular to heavy cottons.
MEDIUM	For synthetics, blends and items labeled permanent press.
LOW	For delicates, synthetics and items labeled <i>Tumble Dry Low</i> .
EXTRA LOW	For lingerie and special-care fabrics.


6 START

Press to start a dry cycle. If the dryer is running, press it once and it will pause the dryer. Press it again to resume the dry cycle.

7 My Cycle

Set up your favorite combination of settings and save them here for one touch recall. These custom settings can be set while a cycle is in progress.

To store a MY CYCLE combination of settings:

1. Select your drying cycle.
2. Change **DRY "TEMP"**, and **SENSOR DRY "LEVEL"** settings to fit your needs.
3. Select any drying **OPTIONS** you want.
4. Press and hold the  pad for three seconds to store your selection. A beep will sound and the pad will light up.

To recall your stored MY CYCLE combination:

Press the **MY CYCLE** button before drying a load.

To change your stored MY CYCLE combination:

Follow steps 1–4 in "**To store a MY CYCLE combination of settings**".

8 "CLEAN LINT FILTER" (message)

(This message represents only a reminder and does **not** always appear when filter needs cleaning. The filter should be cleaned after every drying cycle is complete.)

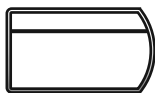
This message will disappear after the **START** button is pressed. Even though you may have already cleaned the filter (before or after the **POWER** button has been pressed), the "**CLEAN LINT FILTER**" message will still be displayed until the **START** button is activated.

About cycle options.

NOTE: Not all features are available on all dryer models.

www.GEAppliances.ca

EXTENDED TUMBLE

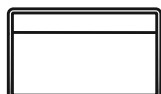


Extended Tumble

Minimizes wrinkles by adding approximately 60 minutes of no-heat tumbling after clothes are dry. The beeper will sound every two minutes as a reminder to remove the clothes. The **ESTIMATED TIME REMAINING** display will show **00**.

The Extended Tumble time does not get added to the cycle time on the display.

DAMP ALERT

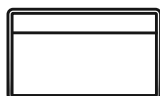


Damp Alert

This option causes the dryer to beep when clothes have dried to a damp level. Remove items that you wish to hang dry. The **DAMP ALERT** will only beep when this option is selected.

Removing clothes and hanging them when they are damp can reduce the need to iron some items.

DELAY START



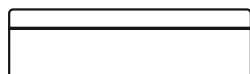
Delay Start

Use to delay the start of your dryer.

1. Choose your dry cycle and any options.
2. Press **DELAY START**. You can increase the delay time in 1 hour increments using the **DELAY START** button.
3. Press the **START** pad to start the countdown.

NOTES:

- If the door is opened while the dryer is in **DELAY START**, the countdown time will not restart unless the door is closed and **START** has been pressed again.



e-DRY

Reduces the total energy consumption of specific dryer cycles by adjusting certain heat settings.

Note: Cycle times will change when **e-DRY** is selected.

This feature can be used with **DELICATES, ACTIVE WEAR, EASY CARE, NORMAL/MIXED LOADS** and **COTTONS**.



Signal

Alerts you that the cycle is complete. The beeper will continue to sound every minute for the next 5 minutes, until the clothes have been removed. The clothes should be removed when the beeper goes off so wrinkles don't set in.

Press **SIGNAL** to select low, medium or high volume, or to turn the beeper off.

About cycle options. *NOTE:* Not all features are available on all dryer models.



Lock

You can lock the controls to prevent any selections from being made. You can also lock the controls after you have started a cycle.

Children cannot accidentally start the dryer by touching pads with this option selected.

To lock the dryer, press the lock icon. To unlock the dryer, press and hold the lock icon for 3 seconds.

The Lock icon next to the timer will light up when the controls are locked.

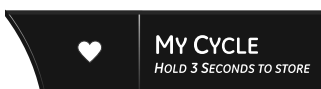


Estimated Time Remaining

Displays the approximate time remaining until the end of the cycle.

As the cycle begins, you will see an initial approximate total cycle time in the display. Then lights will "race" in the display. This means the dryer is continuously monitoring

the amount of moisture in the load. The lights will continue until the dryer senses a low level of moisture in the load. At that point, the dryer will calculate and display the approximate time remaining.



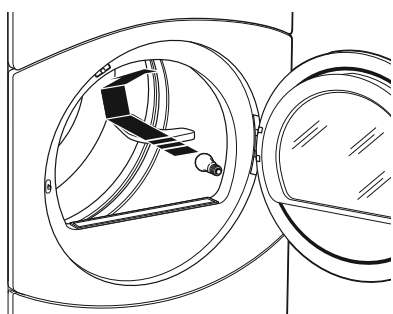
My Cycle

To save a favorite cycle, set the desired settings and hold down the **MY CYCLE** button for 3 seconds. A beep will sound to indicate the cycle has been saved.

To use your custom cycle, press the **MY CYCLE** button before drying a load.

To change the saved cycle, set the desired settings and hold down the **MY CYCLE** button for 3 seconds.

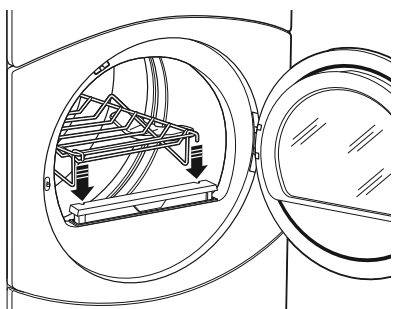
About dryer features.



Drum Lamp

Before replacing the light bulb, be sure to unplug the dryer power cord or disconnect the dryer at the household distribution panel by removing the fuse or switching off the circuit breaker. Reach above dryer opening from inside the drum. Remove the bulb and replace with the same size bulb.

Note: Drum lamp only (and automatically) turns on when the dryer door is open.



Drying Rack (on some models)

A handy drying rack may be used for drying delicate items such as washable sweaters. Place items flat on the drying rack and block such items as wool sweaters and delicate fabrics. Dry with low heat.

To install the drying rack, pull up the lint filter slightly. Insert the drying rack into the slots, then push the filter back down.

NOTE:

- The drying rack is designed for use with the **TIMED DRY** cycles. Use with sensor cycles may result in damp items or extended cycle times.
- Do not use this drying rack when there are other clothes in the dryer, that are not placed on the rack.

IMPORTANT NOTES:

- Read the instructions all the way through before starting.
- Handle parts carefully to avoid scratching paint.
- Set screws down by their related parts to avoid using them in the wrong places.
- Provide a non-scratching work surface for the door.
- Normal completion time to reverse the door swing is 30-60 minutes.

IMPORTANT: Once you begin, do not move the cabinet until door-swing reversal is completed.

These instructions are for changing the hinges from the right side to the left side—if you ever want to switch them back to the right side, follow these same instructions and reverse all references to the left and right.

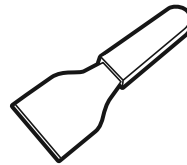
TOOLS YOU WILL NEED



Adjustable Crescent Wrench

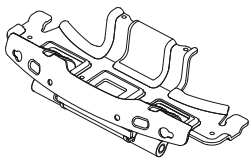


Phillips Head Screwdriver

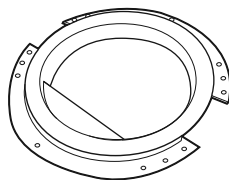


Putty Knife
or Thin-Blade
Screwdriver

DOOR PARTS



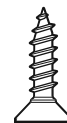
Hinge Assembly



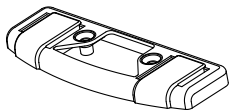
Plastic Cover



3 - # 8 Screws
(door asm and front panel)



8 - # 8 Screws
(inner door, outer ring & hinge cover)



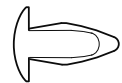
Hinge
Cover



4 - # 8 Screws
(strike plate)

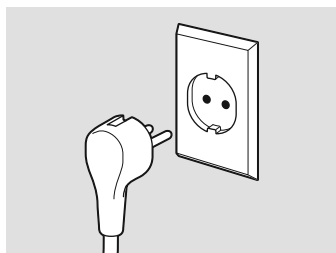


6 - # 8 Machine Screws
(inner door & hinge)



7 - Beauty Buttons

STEP-BY-STEP INSTRUCTIONS

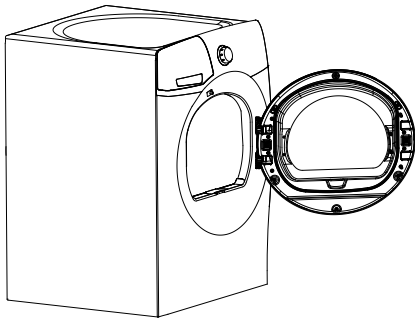


Before You Start

1. Unplug the dryer from its electrical outlet.

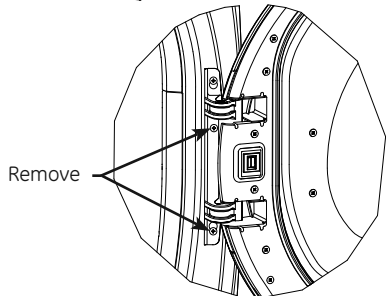
Reversing the door swing.

STEP-BY-STEP INSTRUCTIONS (cont.)

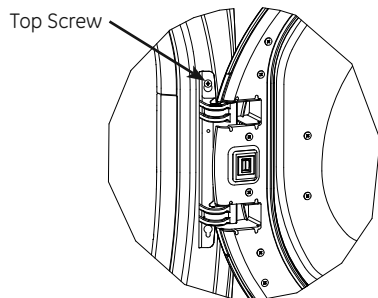


Remove Door Assembly

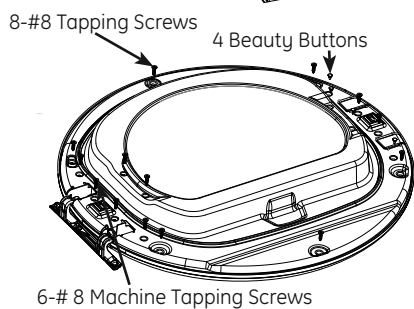
2. Open the door to approximately 130 degrees.



3. Remove the 2 screws starting from the bottom to the top. Make sure the door is supported while removing the screws.



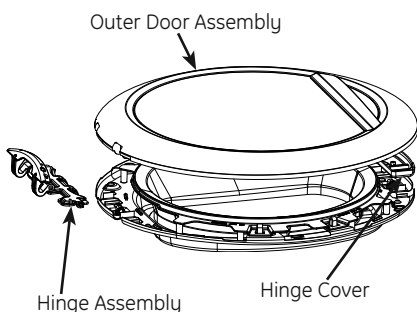
4. Loosen the top screw as shown. Unhook the door by lifting and pulling.



5. Place the door on a soft protected flat surface so the inner door faces upward (door resting on handle side). Remove the 8 tapping screws located around the perimeter of the door outlining the gasket. Remove the 6 machine screws. Using a putty knife or any other flat tool, remove the 2 beauty buttons and install them on the opposite side.

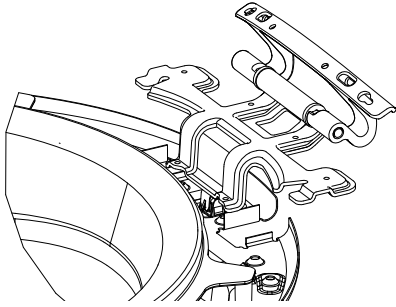
Remove Hinge and Cover

IMPORTANT: Note the location of the hinge (left or right) before removing.



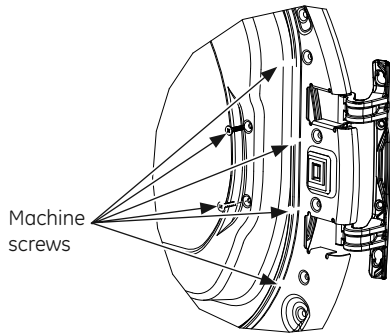
6. With the screws removed, turn the door over and separate the outer door assembly and hinge cover of the door from the door frame and set aside.

STEP-BY-STEP INSTRUCTIONS (cont.)

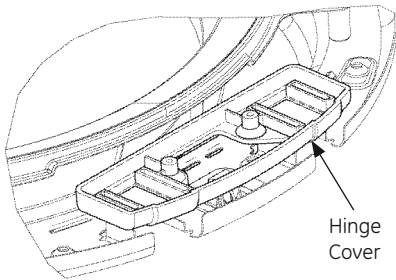


Reinstall Hinge Assembly

7. Install the hinge assembly in the opposite side of the door as shown. Push the hinge assembly in place until the hinge holes align with the door holes.

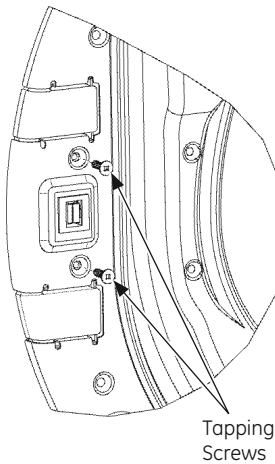


8. Hold the hinge and door on their side with one hand and fasten the 6 machine screws as shown.



Reinstall Hinge Cover

9. Insert the hinge cover. Align the hinge cover holes with the holes in the door.

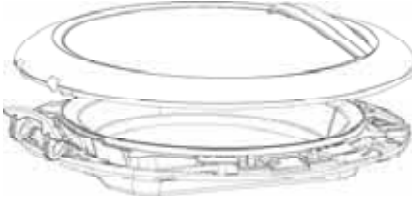


10. Secure the hinge cover with 2 tapping screws.

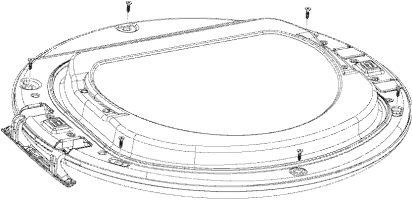
Reversing the door swing.

STEP-BY-STEP INSTRUCTIONS (cont.)

Outer Door



Inner Door



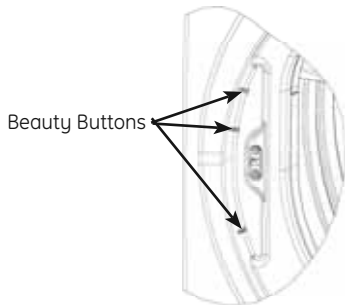
Reassemble Door Assembly

IMPORTANT: Make sure there is no dirt or any other foreign material in between the window panes.

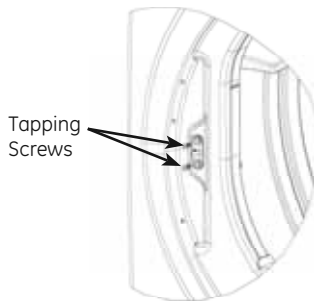
11. Place the plastic outer door onto the inner door. Make sure that the handle part of the outer door is opposite the hinge as shown.

12. Turn the door over and fasten the outer door to the inner door using the 6 tapping screws.

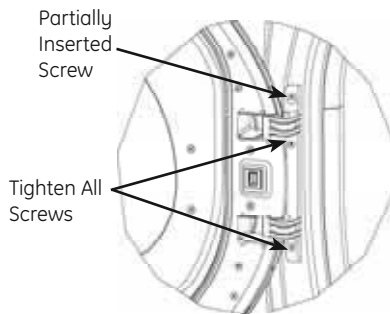
Move Strike Bracket



13. Using a putty knife or any other flat tool, remove the 3 beauty buttons located on the dryer where the door will be installed and install them on the opposite side.



14. Switch the strike bracket and its cover to the opposite side by removing the screws. Reinstall both on the opposite side.



Reinstall Door Assembly

15. The door is now ready to be installed on the dryer. To ease this step, the hinge has keyholes that allow a partially fastened screw to be used as a hook.

Partially fasten a screw to the uppermost screw hole. Hook the door on the partially fastened screw.

Fasten the hinge by installing the other 2 screws and tightening the partially fastened screw above.

Always follow the fabric manufacturer's care label when laundering.



Fabric Care Labels

Below are fabric care label "symbols" that affect the clothing you will be laundering.

WASH LABELS

<i>Machine wash cycle</i>						
	Normal	Permanent Press/ wrinkle resistant	Gentle/ delicate	Hand wash	Do not wash	Do not wring
<i>Front load target water temperature</i>	Category		Target Water Temperature		Automatic Temperature Control	
	Tap Cold		Inlet Water Temperature		Not used	
	Cold		27°C/80°F		Used	
	Warm		40°C/105°F		Used	
	Hot		50°C/120°F		Used	
Sanitize		70°C/160°F		Used		

DRY LABELS

<i>Tumble dry</i>							
	Dry	Normal	Permanent Press/ wrinkle resistant	Gentle/ delicate	Do not tumble dry	Do not dry (used with do not wash)	
<i>Heat setting</i>							
	High	Medium	Low	No heat/air			
	<i>Special instructions</i>						
		Line dry/ hang to dry	Drip dry	Dry flat	In the shade		

BLEACH LABELS

<i>Bleach symbols</i>			
	Any bleach (when needed)	Only non-chlorine bleach (when needed)	Do not bleach



Sorting and Loading Hints

As a general rule, if clothes are sorted properly for the washer, they are sorted properly for the dryer. Try also to sort items according to size. For example, do not dry a sheet with socks or other small items.

Do not add fabric softener sheets once the load has become warm. They may cause fabric softener stains. Bounce® Fabric Conditioner Dryer Sheets have been approved for use in all GE Dryers when used in accordance with the manufacturer's instructions.

Do not overload. This wastes energy and causes wrinkling.

Do not dry the following items: fiberglass items, woolens, rubber-coated items, plastics, items with plastic trim and foam-filled items.

Loading and using the dryer.

Always follow the fabric manufacturer's care label when laundering.

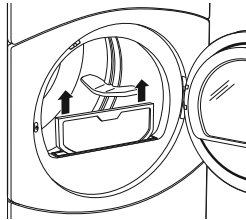


Care and Cleaning of the Dryer

The Exterior: Wipe or dust any spills or washing compounds with a damp cloth. Dryer control panel and finishes may be damaged by some laundry pretreatment soil and stain remover products. Apply these products away from the dryer. The fabric may then be washed and dried normally. Damage to your dryer caused by these products is not covered by your warranty.

The Lint Filter: Clean the lint filter before each use.

Pull out the lint filter. Moisten your fingers and remove the captured lint. Once clean, slide the filter back into position. Have a qualified technician vacuum the lint from the dryer once a year.



NEVER OPERATE THE DRYER WITHOUT ITS FILTER IN PLACE.

Stainless Steel: To clean stainless steel surfaces use a damp cloth with a mild, non-abrasive cleaner suitable for stainless steel surfaces. Remove the cleaner residue and then dry with a clean cloth.

The stainless steel used to make the dryer drum provides the highest reliability available in a GE dryer. If the dryer drum should be scratched or dented during normal use, the drum will not rust or corrode. These surface blemishes will not affect the function or durability of the drum.

Dryer Interior and Duct: The interior of the appliance and exhaust duct should be cleaned once a year by qualified service personnel.

The Exhaust Duct: Inspect and clean the exhaust ducting at least once a year to prevent clogging. A partially clogged exhaust can lengthen the drying time.

Follow these steps:

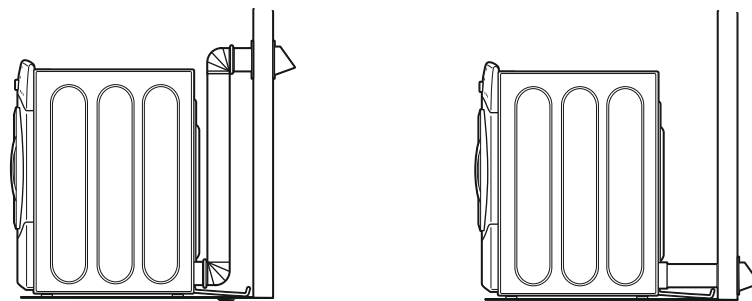
- 1 Turn off electrical supply by disconnecting the plug from the wall socket.
- 2 Disconnect the duct from the dryer.
- 3 Vacuum the duct with the hose attachment and reconnect the duct.

The Exhaust Hood: Check with a mirror that the inside flaps of the hood move freely when operating. Make sure that there is no wildlife (birds, insects, etc.) nesting inside the duct or hood.

For the best drying performance, the dryer needs to be properly vented. **The dryer will use more energy and run longer if it is not vented to the below specifications. Carefully follow the details on Exhausting in the Installation Instructions.**

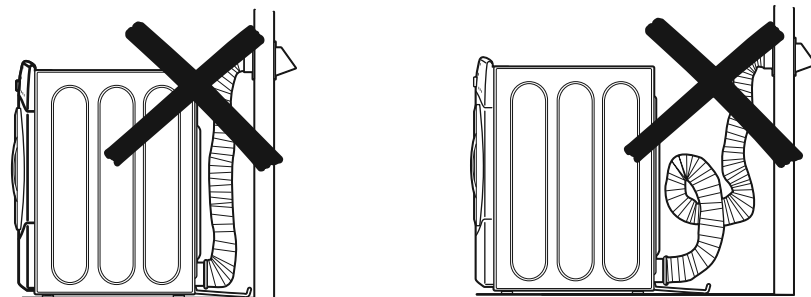
- Use only rigid metal 4" diameter ductwork inside the dryer cabinet and use only UL approved transition ducting between the dryer and the home duct.
- Do not use plastic or other combustible ductwork.
- Use the shortest length possible.
- Do not crush, kink or collapse the duct.
- Avoid resting the duct on sharp objects.
- **Venting must conform to local building codes.**
- Do not remove the vent protector from the back of the dryer (on some models).
- Flip the protector down to its lowest position and connect the exhaust duct to the dryer. The lowered protector will prevent the duct from getting crushed (on some models).

Correct Venting



Vent protector in place (on some models)

Incorrect Venting



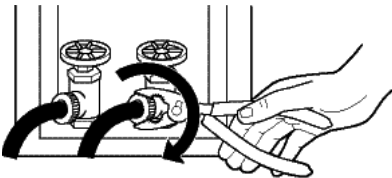
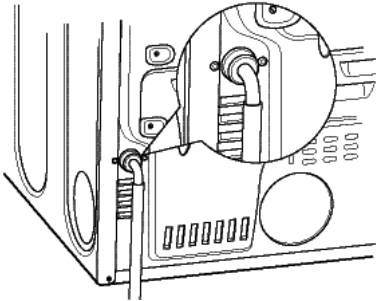
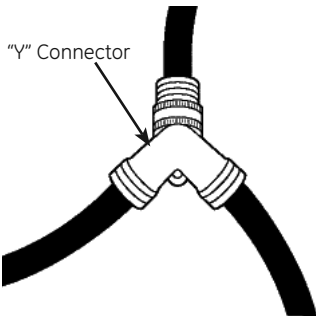
Connecting Inlet Hoses.

To produce steam, the dryer must connect to the cold water supply. Since the washer must also connect to the cold water, a "Y" connector is inserted to allow both inlet hoses to make that connection at the same time.

NOTE: Use the new inlet hoses provided; never use old hoses.

Connect to Cold Water Supply

1. Turn the cold water faucet off. Remove the washer inlet hose from the washer fill valve connector (cold).
2. Ensure the rubber flat washer is in place and screw the female coupling of the short hose onto the washer fill valve connector. Tighten by hand until firmly seated.
3. Attach the female end of the "Y" connector to the male coupling of the short hose. Ensure the rubber flat washer is in place. Tighten by hand until firmly seated.
4. Insert the filter screen in the coupling of the washer's inlet hose. If a rubber flat washer is already in place remove it before installing the filter screen. Attach this coupling to one male end of the "Y" connector. Tighten by hand until firmly seated.
5. Ensure the rubber flat washer is in place and attach the dryer's long inlet hose to the other male end of the "Y" connector. Tighten by hand until firmly seated.
6. Ensure the rubber flat washer is in place and attach the other end of the dryer's long inlet hose to the fill valve connector at the bottom of the dryer back panel. Tighten by hand until firmly seated.
7. Using pliers, tighten all the couplings with an additional two-thirds turn.
NOTE: Do not overtighten. Damage to the couplings may result.
8. Turn the water faucet on.
9. Check for leaks around the "Y" connector, faucet and hose couplings.



BEFORE YOU BEGIN

Read these instructions completely and carefully.

- **IMPORTANT:** Save these instructions for local electrical inspector's use.
- **IMPORTANT:** Observe all governing codes and ordinances.
- **Note to Installer** – Be sure to leave these instructions with the Consumer.
- **Note to Consumer** – Keep these instructions for future reference.
- Installation **must** be performed by a qualified installer.
- Proper installation is the responsibility of the installer.

FOR YOUR SAFETY

⚠ WARNING!

- Electric Shock Hazard. Disconnect power before installing. Failure to do so could result in serious injury or death.
- **Potential Personal Injury. When stacking the dryer, more than two people are recommended to lift the dryer into position because of its weight and size. Failure to do so could result in personal injury or death.**
- When stacking the dryer, avoid tipping and rupture of utility services. Dryer must be securely attached to the washer. DO NOT place the washer on top of the dryer. Failure to do so could result in personal injury/death or property damage.
- Mobile Home or Manufactured Home Installation – Stacking of a gas dryer is not permitted in a mobile home or manufactured home.

MINIMUM CLEARANCE OTHER THAN ALCOVE OR CLOSET INSTALLATION

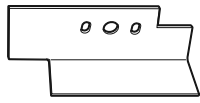
Minimum clearance to combustible surfaces and for air opening are: 0" both sides, 1" front, and 3" rear. Consideration must be given to provide adequate clearance for installation and service.

ALCOVE OR CLOSET INSTALLATION

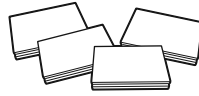
- If your dryer is approved for installation in an alcove or closet, it will be stated on a label on the dryer back.
- The dryer **MUST** be vented to the outdoors. Refer to dryer Installation Instructions for details.
- Minimum clearance between dryer cabinet and adjacent walls or other surfaces is:
0" either side
3" front
4" rear
- Minimum vertical space from floor to overhead cabinets, ceiling, etc. is 43" without pedestal, 55" with pedestal and 84" stacked.
- Closet doors must be louvered or otherwise ventilated and must contain a minimum of 60 square inches of open area equally distributed. If the closet contains both a washer and a dryer, doors must contain a minimum of 120 square inches of open area equally distributed.

Stacking.

KIT CONTENTS (optional kit GE FL STACK)



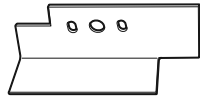
Right Hand Bracket



4 Rubber Pads



4 #12 x 1" Screws



Left Hand Bracket

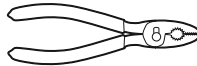


4 #8 x 1/2" Screws

TOOLS YOU WILL NEED



Phillips Screwdriver



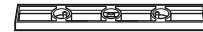
Pliers



Gloves



Open-Ended Wrench



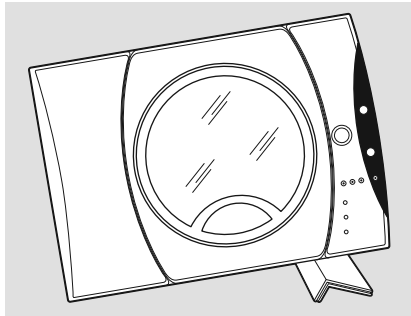
Level

INSTALLATION PREPARATION

Remove the packaging.

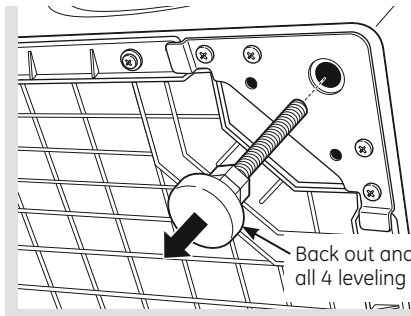
Flatten the product carton to use as a pad to lay the dryer down on its side. Continue using the carton to protect the finished floor in front of the installation location.

INSTALLING THE STACK BRACKET KIT

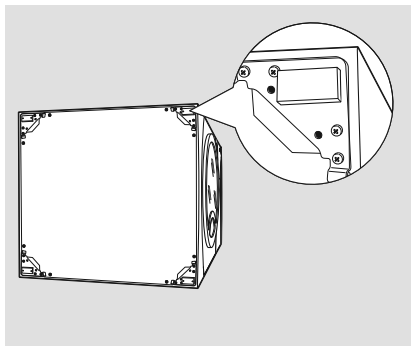


1. Remove the Dryer Leveling Legs

- A. Carefully lay the dryer on its side. Use the packing material so you don't scratch the finish on the dryer.
- B. Use an open-end wrench or pliers to remove the dryer leveling legs.

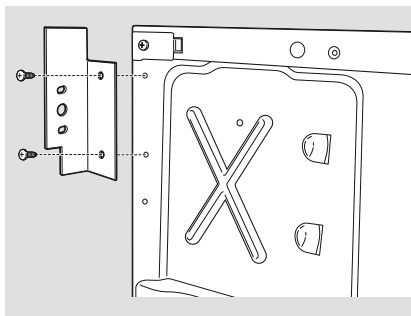


Back out and remove all 4 leveling legs



2. Install Rubber Pads to Dryer Base

Locate the 4 rubber pads in the parts package. Remove the adhesive backing and firmly place over on the bracket where you removed the leveling legs.



3. Install Bracket to Dryer

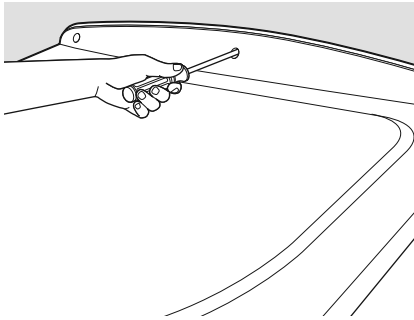
- A. Align the holes in the left bracket with the holes in the bottom left corner of the dryer. Use a Phillips screwdriver to install the 2 #12 x 1" tapping screws.
- B. Repeat the above step with the right bracket on the bottom right corner of the dryer.
- C. Set the dryer upright.

NOTE: Make sure to set the dryer on

a piece of packing material so the brackets that are attached to the bottom of the dryer do not damage the floor.

Stacking.

INSTALLING THE STACK BRACKET KIT (cont.)

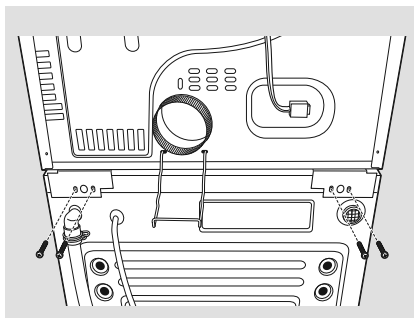


4. Prepare the Washer and Dryer

- A. Place the washer in the approximate location.
- B. Make sure the washer is level. Refer to washer Installation Instructions for details.
- C. Remove the back portion of the control panel by removing the 3 screws.

- D. Reverse dryer door swing if desired. See dryer Installation Instructions for details.

NOTE: The washer door swing is not reversible.

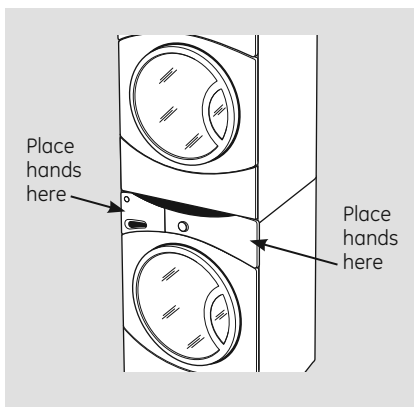


5. Install Dryer and Bracket on Washer

- A. Lift the dryer on top of the washer. Be careful not to scratch the top of the washer with the brackets. Protect the washer control panel with cardboard or other protection. Be sure to lift the dryer high enough to clear the washer control panel.
- B. Align the holes in the bracket with the holes in the back of the washer. Using a Phillips screwdriver, attach the 2 #8 x 1/2" tapping screws. Repeat on both sides of the washer.

⚠ WARNING!

Potential Personal Injury. More than two people are recommended to lift the dryer into position because of its weight and size. Failure to do so could result in personal injury or death.



6. Finalize the Installation

- A. Refer to the washer Installation Instructions to complete the washer installation.
- B. Refer to the dryer Installation Instructions to complete the dryer installation.
- C. Carefully slide or walk the stacked washer and dryer into place. Use felt pads or other sliding device to assist moving and to protect flooring.

⚠ WARNING!

Potential Personal Injury. Do not push on the dryer once installed to top of the washer. Pushing on the dryer may result in pinched fingers.



Troubleshooting Tips

Save time and money! Review the charts on the following pages, or visit www.GEAppliances.ca. You may not need to call for service.

PROBLEM	Possible Causes	What To Do
Dryer shakes or makes noise	Some shaking/noise is normal. Dryer may be sitting unevenly	<ul style="list-style-type: none"> • Move dryer to an even floor space, or adjust leveling legs as necessary until even.
Clothes take too long to dry	Improper or obstructed ducting	<ul style="list-style-type: none"> • Check the Installation Instructions to make sure the dryer venting is correct. • Make sure ducting is clean, free of kinks and unobstructed. • Check to see if outside wall damper operates easily.
	Improper sorting	<ul style="list-style-type: none"> • Separate heavy items from lightweight items (generally, a well-sorted washer load is a well-sorted dryer load).
	Large loads of heavy fabrics (like beach towels)	<ul style="list-style-type: none"> • Large, heavy fabrics contain more moisture and take longer to dry. Separate large, heavy fabrics into smaller loads to speed drying time.
	Controls improperly set	<ul style="list-style-type: none"> • Match control settings to the load you are drying.
	Lint filter is full	<ul style="list-style-type: none"> • Clean lint filter before every load.
	Blown fuses or tripped circuit breaker	<ul style="list-style-type: none"> • Replace fuses or reset circuit breakers. Since most dryers use 2 fuses/breakers, make sure both are operating.
	Overloading/combining loads	<ul style="list-style-type: none"> • Do not put more than one washer load in the dryer at a time.
The DRY dryness level was chosen but load is still damp	Underloading	<ul style="list-style-type: none"> • If you are drying only one or two items, add a few items to ensure proper tumbling.
	Load consists of a mixture of heavy and light fabrics	<ul style="list-style-type: none"> • When combining heavy and light fabrics in a load, choose MORE DRY if you are using a sensor cycle.
Control pads not responding	Exhaust system is blocked	<ul style="list-style-type: none"> • Inspect and clean exhaust system.
	Controls accidentally put in service mode	<ul style="list-style-type: none"> • Press STOP.
	Controls accidentally put in lock mode	<ul style="list-style-type: none"> • Hold the LOCK button for 3 seconds to unlock the dryer.
Dryer doesn't start	Controls performed an incorrect operation	<ul style="list-style-type: none"> • Reset the in-house breaker.
	Control panel is "asleep"	<ul style="list-style-type: none"> • This is normal. Press POWER to activate the control panel.
	Dryer is unplugged	<ul style="list-style-type: none"> • Make sure the dryer plug is pushed completely into the outlet.
	Fuse is blown/circuit breaker is tripped	<ul style="list-style-type: none"> • Check the building's fuse/circuit breaker box and replace fuse or reset breaker. NOTE: Electric dryers use two fuses or breakers.
No numbers displayed during cycle, only lights	Dryer was accidentally paused when starting Delay Start	<ul style="list-style-type: none"> • If the light on the DELAY START pad is flashing, the dryer is paused. Press START to restart the countdown.
	Dryer is continuously monitoring the amount of moisture in the clothes	<ul style="list-style-type: none"> • This is normal. When the dryer senses a low level of moisture in the load, the dryer will display the dry time remaining.

Before you call for service...

PROBLEM	Possible Causes	What To Do
<i>Time Remaining jumped to a lower number</i>	<i>The estimated time may change when a smaller load than usual is drying</i>	<ul style="list-style-type: none"> This is normal.
<i>Cannot make a selection and the dryer beeps twice</i>	<i>The DRYNESS LEVEL, TEMP or OPTION that you are trying to select is incompatible with the chosen dry cycle</i>	<ul style="list-style-type: none"> This is normal.
<i>Dryer is running but 00 is displayed in Time Remaining</i>	<i>The EXTENDED TUMBLE option was chosen</i>	<ul style="list-style-type: none"> This is normal. During extended tumble, the time remaining is not displayed. The extended tumbling option lasts approximately 60 minutes.
<i>Clean Lint Filter (message)</i>	<i>POWER button was activated</i>	<ul style="list-style-type: none"> Press START to begin a dry cycle and the message will disappear.
<i>Dryer doesn't heat</i>	<i>Fuse is blown/circuit breaker is tripped; the dryer may tumble but not heat</i>	<ul style="list-style-type: none"> Check the building's fuse/circuit breaker box and replace both fuses or reset both breakers. Your dryer may tumble if only one fuse is blown or one breaker tripped.
	<i>Gas service is off</i>	<ul style="list-style-type: none"> Make sure gas shutoff at dryer and main shutoff are fully open.
	<i>LP gas supply tank is empty or there has been a utility interruption of natural gas (gas models)</i>	<ul style="list-style-type: none"> Refill or replace tank. Dryer should heat when utility service is restored.
<i>Inconsistent drying times</i>	<i>Type of heat</i>	<ul style="list-style-type: none"> Drying time will vary according to the type of heat used. If you recently changed from an electric to a gas (natural or LP) dryer, or vice versa, the drying time could be different.
	<i>Type of load and drying conditions</i>	<ul style="list-style-type: none"> The load size, types of fabric, wetness of clothes and the length and condition of the exhaust system will affect drying times.
<i>Glow at the rear of the drum</i>	<i>Heaters behind the drum</i>	<ul style="list-style-type: none"> This is normal. Under certain drying conditions and room ambient lighting, the glow of the heaters may be visible at the rear of the drum.
<i>Clothes are still wet and dryer shut off after a short time</i>	<i>The door was opened mid-cycle. The load was then removed from the dryer and a new load put in without selecting a new cycle</i>	<ul style="list-style-type: none"> A dry cycle must be reselected each time a new load is put in.
	<i>Small load</i>	<ul style="list-style-type: none"> When drying 3 items or less, choose SPEED DRY or TIMED DRY.
	<i>Load was already dry except for collars and waistbands</i>	<ul style="list-style-type: none"> Choose SPEED DRY or TIMED DRY to dry damp collars and waistbands. In the future, when drying a load with collars and waistbands, choose MORE DRY.
	<i>Dryer is not level</i>	<ul style="list-style-type: none"> Move dryer to an even floor space or adjust leveling legs as necessary until even.
<i>Clothes are wrinkled</i>	<i>Overdrying</i>	<ul style="list-style-type: none"> Select a shorter drying time. Remove items while they still hold a slight amount of moisture. Select a LESS DRY or DAMP setting.
	<i>Letting items sit in dryer after cycle ends</i>	<ul style="list-style-type: none"> Remove items when cycle ends and fold or hang immediately, or use the EXTENDED TUMBLE option.
	<i>Overloading</i>	<ul style="list-style-type: none"> Separate large loads into smaller ones.

PROBLEM	Possible Causes	What To Do
<i>Clothes shrink</i>	<i>Some fabrics will naturally shrink when washed. Others can be safely washed, but will shrink in the dryer</i>	<ul style="list-style-type: none"> To avoid shrinkage, follow garment care labels exactly. Some items may be pressed back into shape after drying. If you are concerned about shrinkage in a particular item, do not machine wash or tumble dry it.
<i>Greasy spots on clothes</i>	<i>Improper use of fabric softener</i>	<ul style="list-style-type: none"> Follow directions on fabric softener package.
	<i>Drying dirty items with clean ones</i>	<ul style="list-style-type: none"> Use your dryer to dry only clean items. Dirty items can stain clean items and the dryer.
	<i>Clothes were not completely clean</i>	<ul style="list-style-type: none"> Sometimes stains which cannot be seen when the clothes are wet appear after drying. Use proper washing procedures before drying.
<i>Lint on clothes</i>	<i>Lint filter is full</i>	<ul style="list-style-type: none"> Clean lint screen before each load.
	<i>Improper sorting</i>	<ul style="list-style-type: none"> Sort lint producers (like chenille) from lint collectors (like corduroy).
	<i>Static electricity can attract lint</i>	<ul style="list-style-type: none"> See suggestions in this section under STATIC.
	<i>Overloading</i>	<ul style="list-style-type: none"> Separate large loads into smaller ones.
	<i>Paper, tissue, etc., left in pockets</i>	<ul style="list-style-type: none"> Empty all pockets before laundering clothes.
<i>Static occurs</i>	<i>No fabric softener was used</i>	<ul style="list-style-type: none"> Try a fabric softener. Bounce® Fabric Conditioner Dryer Sheets have been approved for use in all GE Dryers when used in accordance with the manufacturer's instructions.
	<i>Overdrying</i>	<ul style="list-style-type: none"> Try a fabric softener. Adjust setting to LESS DRY or DAMP.
	<i>Synthetics, permanent press and blends can cause static</i>	<ul style="list-style-type: none"> Try a fabric softener.
<i>Collars and waistbands still wet at end of cycle</i>	<i>The dryness monitor senses that the body of the clothes is dry</i>	<ul style="list-style-type: none"> Choose SPEED DRY or TIMED DRY to dry damp collars and waistbands. In the future, when drying a load with collars and waistbands, choose MORE DRY.
<i>Slight variation in metallic color</i>	<i>This is normal</i>	<ul style="list-style-type: none"> Due to the metallic properties of paint used for this unique product, slight variations of color may occur due to viewing angles and lighting conditions.
<i>Door is too foggy to see clothes during a steam cycle</i>	<i>Steam condenses on inner door</i>	<ul style="list-style-type: none"> This is normal.
<i>Water seen on inside of door and top of lint filter when opening door after steam cycle</i>	<i>Steam condenses on these surfaces</i>	<ul style="list-style-type: none"> This is normal.
<i>Small areas on clothes are damp after steam cycle</i>	<i>Steam condenses on inner drum</i>	<ul style="list-style-type: none"> If using the STEAM DEWRINKLE cycle, manually reduce the cycle time. If using the STEAM REFRESH cycle, add more garments to the load.

Before you call for service...

PROBLEM	Possible Causes	What To Do
<i>Small amount of water on floor in front of dryer</i>	<i>Inadequate load size for steam cycle selected, excess steam condenses inside cabinet and leaks out</i>	<ul style="list-style-type: none"> • If using the STEAM DEWRINKLE cycle, manually reduce cycle time. If using the STEAM REFRESH cycle, add more garments to the load.
<i>Water on floor in back of dryer</i>	<i>Loose water hose connection to valve</i>	<ul style="list-style-type: none"> • Tighten connection.
	<i>Hose missing rubber washer at connection with valve</i>	<ul style="list-style-type: none"> • Install rubber washer provided with hose.
<i>Water drips from door when opened after a Steam Cycle</i>	<i>Steam condenses on inner door</i>	<ul style="list-style-type: none"> • This is normal.
<i>Cannot see steam at beginning of cycle</i>	<i>Steam released at different time in cycle</i>	<ul style="list-style-type: none"> • This is normal.
<i>Cannot see steam at any time during the cycle</i>	<i>The steam nozzle might be clogged with debris from your water supply</i>	<ul style="list-style-type: none"> • Call 800.GE.CARES to order nozzle replacement kit WE25M71 or to request a service technician to replace this for you.
<i>Garments still wrinkled after steam cycle</i>	<i>Too many garments</i>	<ul style="list-style-type: none"> • Load fewer garments; manually increase time.
<i>Dryer continues to tumble after display says Complete</i>	<i>Extended Tumble was selected</i>	<ul style="list-style-type: none"> • Ensure EXTENDED TUMBLE option is not selected. For the STEAM REFRESH cycle, EXTENDED TUMBLE will automatically be turned on and cannot be turned off.

GE Dryer Warranty.



All warranty service provided by our Factory Service Centres or an authorized technician.
For service, call 1.800.561.3344.

Please have serial number and model number available when calling for service.

For The Period Of:	We Will Replace:
One Year From the date of the original purchase	Any part of the dryer which fails due to a defect in materials or workmanship. During this limited one-year warranty , GE will also provide, free of charge , all labor and related service costs to replace the defective part.

What Is Not Covered (in Canada):

- Service trips to your home to teach you how to use the product.
- Improper installation, delivery or maintenance.
- Failure of the product if it is abused, misused or used for other than the intended purpose or used commercially.
- Replacement of the light bulb after its expected useful life.
- Replacement of house fuses or resetting of circuit breakers.
- Damage to the product caused by accident, fire, floods or acts of God.
- Incidental or consequential damage caused by possible defects with this appliance.
- Damage caused after delivery.
- Product not accessible to provide required service.

EXCLUSION OF IMPLIED WARRANTIES—Your sole and exclusive remedy is product repair as provided in this Limited Warranty. Any implied warranties, including the implied warranties of merchantability or fitness for a particular purpose, are limited to one year or the shortest period allowed by law.

This warranty is extended to the original purchaser and any succeeding owner for products purchased in Canada for home use within Canada. In-home warranty service will be provided in areas where it is available and deemed reasonable by Mabe to provide.

WARRANTOR IS NOT RESPONSIBLE FOR CONSEQUENTIAL DAMAGES.

Warrantor: MABE CANADA INC.

Consumer Support.



GE Appliances Website

In the U.S.: **GEAppliances.com**

Have a question or need assistance with your appliance? Try the GE Appliances Website 24 hours a day, any day of the year! For greater convenience and faster service, you can now download Owner's Manuals, order parts or even schedule service on-line. **In Canada: www.GEAppliances.ca**



Schedule Service

In the U.S.: **GEAppliances.com**

Expert GE repair service is only one step away from your door. Get on-line and schedule your service at your convenience any day of the year! Or call 800.GE.CARES (800.432.2737) during normal business hours.

In Canada, call 1.800.561.3344



Real Life Design Studio

In the U.S.: **GEAppliances.com**

GE supports the Universal Design concept—products, services and environments that can be used by people of all ages, sizes and capabilities. We recognize the need to design for a wide range of physical and mental abilities and impairments. For details of GE's Universal Design applications, including kitchen design ideas for people with disabilities, check out our Website today. For the hearing impaired, please call 800.TDD.GEAC (800.833.4322).

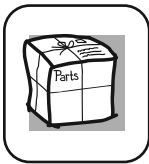
In Canada, contact: Manager, Consumer Relations, Mabe Canada Inc.
Suite 310, 1 Factory Lane
Moncton, N.B. E1C 9M3



Extended Warranties

In the U.S.: **GEAppliances.com**

Purchase a GE extended warranty and learn about special discounts that are available while your warranty is still in effect. You can purchase it on-line anytime, or call 800.626.2224 during normal business hours. GE Consumer Home Services will still be there after your warranty expires. **In Canada, please visit our Website or contact your local extended warranty provider.**



Parts and Accessories

In the U.S.: **GEAppliances.com**

Individuals qualified to service their own appliances can have parts or accessories sent directly to their homes (VISA, MasterCard and Discover cards are accepted). Order on-line today, 24 hours every day or by phone at 800.626.2002 during normal business hours.

Instructions contained in this manual cover procedures to be performed by any user. Other servicing generally should be referred to qualified service personnel. Caution must be exercised, since improper servicing may cause unsafe operation.

Customers **in Canada** should consult the yellow pages for the nearest Mabe service center, or call 1.800.661.1616.



Contact Us

In the U.S.: **GEAppliances.com**

If you are not satisfied with the service you receive from GE, contact us on our Website with all the details including your phone number, or write to:

General Manager, Customer Relations
GE Appliances, Appliance Park
Louisville, KY 40225

In Canada: www.GEAppliances.ca, or write to:

Director, Consumer Relations, Mabe Canada Inc.
Suite 310, 1 Factory Lane
Moncton, N.B. E1C 9M3



Register Your Appliance

In the U.S.: **GEAppliances.com**

Register your new appliance on-line—at your convenience! Timely product registration will allow for enhanced communication and prompt service under the terms of your warranty, should the need arise. You may also mail in the pre-printed registration card included in the packing material. **In Canada: www.GEAppliances.ca**