



# Dryers

Owner's Manual

**Safety Instructions** ..... 2-3

**Operating Instructions**

Appliance Communication ..... 11  
Features ..... 8  
Loading and Using the Dryer ..... 9  
Operating Instructions ..... 4-7  
Reversing the Door ..... 12, 13  
Venting the Dryer ..... 11

**Troubleshooting Tips** ... 14-16

**Consumer Support**

Consumer Support ..... 18  
Parts and Accessories ..... 3, 18  
Warranty ..... 17



As an ENERGY STAR® partner, GE has determined that this product meets the ENERGY STAR® guidelines for energy efficiency.

*Write the model and serial number here:*

**Model #** \_\_\_\_\_

**Serial #** \_\_\_\_\_

You can find them on a label on the front of the dryer behind the door.







234D2028P009

**234D2028P009**  
29-5975 03-15 MC Printed in Mexico


# IMPORTANT SAFETY INFORMATION.

## READ ALL INSTRUCTIONS BEFORE USING.

 This is the safety alert symbol. This symbol alerts you to potential hazards that can kill you or hurt you and others. All safety messages will follow the safety alert symbol and the word “DANGER”, “WARNING”, or “CAUTION”. These words are defined as:

-  **DANGER** Indicates a hazardous situation which, if not avoided, **will** result in death or serious injury.
-  **WARNING** Indicates a hazardous situation which, if not avoided, **could** result in death or serious injury.
-  **CAUTION** Indicates a hazardous situation which, if not avoided, **could** result in minor or moderate injury.

## IMPORTANT SAFETY INSTRUCTIONS

 **WARNING** To reduce the risk of fire, explosion, electric shock, or injury to persons when using your appliance, follow basic precautions, including the following:

- Read all instructions before using the appliance.
- DO NOT dry articles that have been previously cleaned in, washed in, soaked in or spotted with gasoline, dry-cleaning solvents, or other flammable or explosive substances, as they give off vapors that could ignite or explode.
- DO NOT place items exposed to cooking oils in your dryer. Items contaminated with cooking oils may contribute to a chemical reaction that could cause a load to catch fire.
- DO NOT allow children to play on or in this appliance. Close supervision of children is necessary when this appliance is used near children. Before the appliance is removed from service or discarded, remove the door to the drying compartment.
- DO NOT reach into the appliance if the drum is moving.
- DO NOT install or store this appliance where it will be exposed to the weather.
- DO NOT tamper with controls, repair or replace any part of this appliance or attempt any servicing unless specifically recommended in the user maintenance instructions or in published user repair instructions that you understand and have the skills to carry out.
- DO NOT use fabric softeners or products to eliminate static unless recommended by the manufacturer of the fabric softener or product.
- DO NOT use heat to dry articles containing foam rubber or similarly textured rubber-like materials.
- Clean lint screen before or after each load. DO NOT operate the dryer without the lint filter in place.
- Do not store combustible materials, gasoline or other flammable liquids near the dryer. Keep area around the exhaust opening and adjacent surrounding areas free from the accumulation of lint, dust and dirt. Keep dryer area clear and free from items that would obstruct the flow of combustion and ventilation air.
- The interior of the appliance and exhaust duct should be cleaned periodically by qualified service personnel.
- Unplug the appliance or turn off the circuit breaker before servicing. Pressing the **Power** or **Start/Pause** button DOES NOT disconnect power.
- DO NOT operate this appliance if it is damaged, malfunctioning, partially disassembled, or has missing or broken parts, including a damaged cord or plug.
- DO NOT spray any type of aerosol into, on or near dryer at any time. Do not use any type of spray cleaner when cleaning dryer interior. Hazardous fumes or electrical shock could occur.
- See “Electrical Connection” located in the Installation Instructions for grounding instructions.

## SAVE THESE INSTRUCTIONS

## ADDITIONAL GAS DRYER WARNINGS

**⚠ WARNING** For your safety, the information in this manual must be followed to minimize the risk of fire or explosion or to prevent damage, personal injury, or death.

- DO NOT store or use gasoline or other flammable vapors and liquids in the vicinity of this or any other appliance.
- WHAT TO DO IF YOU SMELL GAS:
  - DO NOT try to light any appliance.
  - DO NOT touch any electrical switch; DO NOT use any phone in your building.
  - Clear the room, building, or area of any occupants.
  - Immediately call your gas supplier from a neighbor's phone. Follow the gas supplier's instructions.
  - If you cannot reach your gas supplier, call the fire department.
- Installation and service must be performed by a qualified installer, service agency, or the gas supplier.

### State of California Proposition 65 Warnings:

The California Safe Drinking Water and Toxic Enforcement Act requires the governor of California to publish a list of substances known to the state to cause cancer, birth defects or other reproductive harm and requires businesses to warn of potential exposure to such substances.

**⚠ WARNING** This product contains one or more chemicals known to the State of California to cause cancer, birth defects or other reproductive harm.

Gas appliances can cause low-level exposure to some of these substances, including benzene, carbon monoxide, formaldehyde and soot, caused primarily by the incomplete combustion of natural gas or LP fuels. Exposure to these substances can be minimized by properly venting the dryer to the outdoors.

## PROPER INSTALLATION

*This dryer must be properly installed and located in accordance with the Installation Instructions before it is used. If you did not receive an Installation Instructions, you can receive one by visiting [GEAppliances.ca](http://GEAppliances.ca) or by calling 800.561.3344.*

- Properly ground dryer to conform with all governing codes and ordinances. Follow details in Installation Instructions.
- Install or store where it will not be exposed to temperatures below freezing or exposed to the weather.
- Connect to a properly rated, protected and sized power supply circuit to avoid electrical overload.
- Remove all sharp packing items and dispose of all shipping materials properly.
- Remove the colored protective tape from the control panel.
- Do not obstruct the flow of ventilating air. Do not stack or place laundry or throw rugs against the front or back of the dryer.

### Steam Water Hoses:

GE strongly recommends the use of factory specified parts. A list of factory hoses available for purchase are listed below. These hoses are manufactured and tested to meet GE specifications.

GE strongly recommends the use of new water supply hoses. Hoses degrade over time and need to be replaced every 5 years to reduce the risk of hose failures and water damage.

### Parts and Accessories

Visit your local authorized GE Parts distributor or order by phone at **800.661.1616** during normal business hours.

<b>Part Number</b>	<b>Accessory</b>
WE25M53	Complete Kit (hoses, Y-adapter washers) (included)
OR	
WE1M847	Long hose and
WE1M849	Y-adapter
PM14X10056	Dryer door opening vent brush (not included)
WX14X10007	LintEater™ dryer rotary tube brush (not included)

### Exhaust/Ducting:

- 1 All dryers **MUST** be exhausted to the outside to prevent large amounts of moisture and lint from being blown into the room.
- 2 Use only rigid metal 4" diameter ductwork inside the dryer cabinet and use only rigid metal 4" diameter or UL approved transition ducting between the dryer and the home duct. **USE OF PLASTIC OR OTHER COMBUSTIBLE DUCTWORK CAN CAUSE A FIRE. PUNCTURED DUCTWORK CAN CAUSE A FIRE IF IT COLLAPSES OR BECOMES OTHERWISE RESTRICTED IN USE OR DURING INSTALLATION.**

For complete details, follow the Installation Instructions.

## SAVE THESE INSTRUCTIONS

# Operating instructions

## ⚠ WARNING!

To reduce the risk of fire, electric shock, or injury to persons, read the **IMPORTANT SAFETY INSTRUCTIONS** before operating this appliance.

### ⚠ WARNING



#### Explosion Hazard

Keep flammable materials and vapors, such as gasoline, away from dryer.  
**DO NOT** dry anything that has ever had anything flammable on it (even after washing).  
 Failure to do so can result in death, explosion, or fire.

### ⚠ WARNING

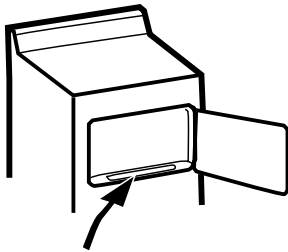


#### Fire Hazard

No washer can completely remove oil.  
 Do not dry anything that has ever had any type of oil on it (including cooking oils).  
 Items containing foam, rubber, or plastic must be dried on a clothesline or by using an air dry cycle.  
 Failure to do so can result in death, explosion, or fire.

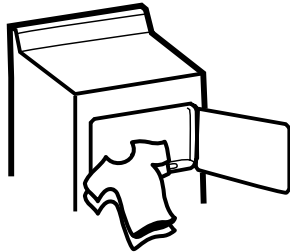
Throughout this manual, features and appearance may vary from your model.

Step 1



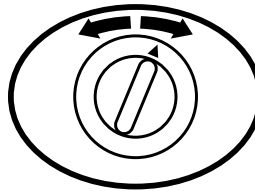
- Clean lint filter

Step 2



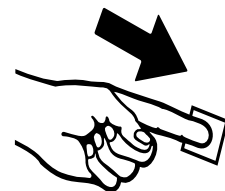
- Add clothes
- Shut door

Step 3



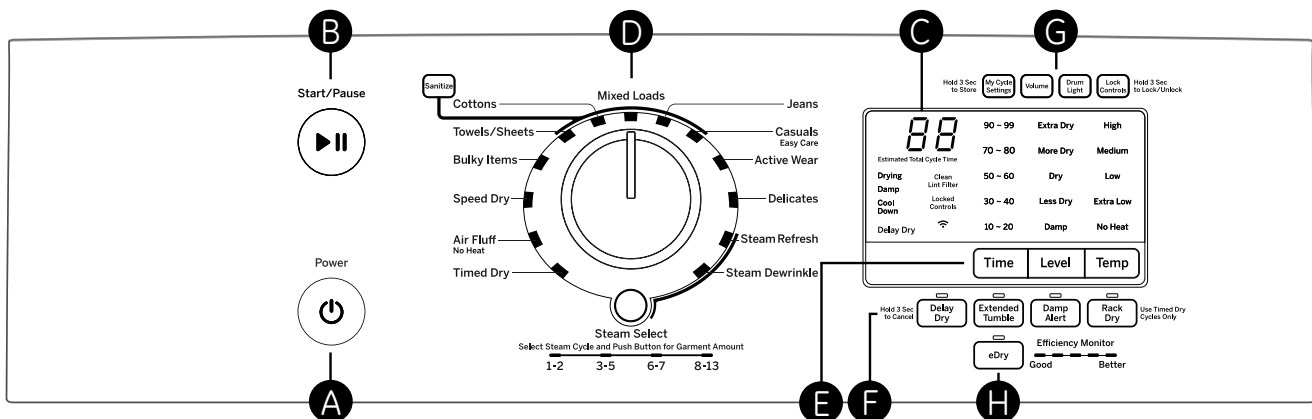
- Select drying cycle

Step 4



- Push Start

## Controls





**Power**

Press to “wake up” the display. If the display is active, press to put the dryer into idle mode.

**NOTE:** Pressing **Power** does not disconnect the appliance from the power supply.

**Start and Pause**

Press **Start** to begin the cycle. **NOTE:** The door must be closed for the dryer to start the cycle. Pressing **Pause** will pause the cycle, the **Start** will blink and “**PAUSE**” will scroll across the LCD.

To continue the cycle, press **Start** again. To stop the cycle, hold the button for 3 seconds.

**Display and Status Lights**

The display shows the approximate time remaining until the end of the cycle.

**In addition, this display will, “scroll” the dryer status:**

- **PAUSE** The message “**PAUSE**” will scroll across the display when the dryer’s cycle is paused. The cycle may be re-started by pressing the **Start** button.
- **door** The message “**door**” will be displayed when the door is opened during the dryer’s cycle.
- **CyCLE** The message “**CyCLE**” will be displayed when the clothes are dry and the dryer is recommending a preferred cycle for the next load (see **CleanSpeak™** section).
- **dELAY** The message “**dELAY**” will be displayed when the Delayed Dry is initiated. It will be replaced with the estimated time when cycle starts.

**Cycle status lights**

Shows whether the dryer is in the **DRYING**, **DAMP**, or **COOL DOWN** cycle.

**Feature status lights indicate:**

**Delay Dry** A delay dry time is set.

**Locked Controls** The dryer controls are locked - will blink once if you press any button or turn the cycle knob.

**Clean Lint Filter** Light will stay on for 15 seconds after the cycle stops.



- Dryer is connected to the network and can communicate with a connected smartphone device. (NOT AVAILABLE IN CANADA)

# Operating instructions

## D **Drying Cycles**-Sensor cycles automatically determine fabric dryness. Timed cycles run for the selected time.

<b>Timed Dry</b>	Set the Cycle Selector at the desired drying time.
<b>Air Fluff/ No Heat</b>	For freshening or fluffing up already dry clothing, fabric, linens and pillows. Use with <b>No Heat</b> . Provides 10 minutes of no-heat tumbling.
<b>Speed Dry</b>	For small loads that are needed in a hurry, such as sport or school uniforms. Can also be used if the previous cycle left some items damp, such as collars or waistbands. <b>NOTE:</b> On some models, the time remaining in the cycle will show counting down in the display.
<b>Bulky Items</b>	For large coats, bed spreads, mattress covers, sleeping bags and similar large/bulky items such as blankets, comforters, jackets, and small rugs.
<b>Towels/Sheets*</b>	For most towels and linens.
<b>Cottons*</b>	For cottons and most linens. <b>Note:</b> ENERGY STAR® models are tested on <b>Cottons</b> with default settings.
<b>Mixed Loads*</b>	For loads consisting of cottons and poly-blends.
<b>Jeans*</b>	For jeans.
<b>Casuals/ EasyCare*</b>	For wrinkle-free, permanent press, delicate items and knits.
<b>Active Wear</b>	For sports and exercise wear.
<b>Delicates</b>	For delicate items, special-care fabrics and knits.
<b>Steam Refresh</b>	For slightly wrinkled dry garments. Significantly reduces wrinkles. <b>NOTE:</b> A single extremely light fabric item may need to have an additional item included in the <b>Steam Refresh</b> cycle to achieve optimum results.
<b>Steam Dewrinkle</b>	For use with larger loads than <b>Steam Refresh</b> . Ideal for loads left in the dryer for an extended time.
<b>Steam Select</b>	The <b>Steam Select</b> button is used in conjunction with <b>Steam Refresh</b> and <b>Steam Dewrinkle</b> . As you press the button, it defines how many articles are in the dryer and adjusts the steam and cool down times accordingly.

### Steam Cycle Notes:

- **Important - The temperature setting must be set to HIGH and water must be turned on before running the steam cycles.**
- The **Extended Tumble** option will be turned on.
- After the steam cycle, the unit will beep (if **Volume** is on) and display "00".
- Do not use a steam cycle with items such as wool, leather, silk, lingerie, foam products or electric blankets.
- Do not use steam cycles on new clothes without first washing.
- Steam cycles are not intended for use with towels.

**Sanitize** This option reduces certain types of bacteria by 99.9%, including: Staphylococcus aureus, Pseudomonas aeruginosa and Klebsiella pneumoniae. The anti-bacterial process occurs when high heat is used during a portion of the drying cycle.  
**NOTE:** Do not use this cycle on delicate fabrics.

\*Cycles available with **Sanitize** option.

## E **Settings**

Individual settings for **Timed Dry** cycle minutes (**Time**), dryness level (**Level**), and temperature (**Temp**) can be set from the minimum (lowest in column) to maximum (highest in column). In general, the higher up the column, the more energy will be used.

### Time - Selection only for Timed cycles.

Each "setting" allows you to specify a lower (1 tap) or an upper (2 taps) time working your way from a minimum 10 minute to a maximum 99 minute dry time (10, 20, 30, 40, . . . 80, 90, 99, 10 . . .)

### Dryness Level - Selection only used for Sensor cycles. Timed cycles run for the selected time.

<b>Extra Dry</b>	Use for heavy-duty fabrics or items that should be very dry, such as towels.
<b>More Dry</b>	Use for heavy-duty or mixed type fabrics.
<b>Dry</b>	Use for a normal dryness level suitable for most loads. This is the preferred cycle for energy savings.
<b>Less Dry</b>	Use for lighter fabrics.
<b>Damp</b>	For leaving items partially damp.

## E Temperature

<b>High</b>	For regular to heavy cottons. <b>NOTE: Steam Dewrinkle</b> and <b>Steam Refresh</b> require the High temperature setting.
<b>Medium</b>	For synthetics, blends, delicates and items labeled permanent press.
<b>Low</b>	For delicates, synthetics and items labeled <i>tumble dry low</i> .
<b>Extra Low</b>	For delicates, synthetics and items labeled <i>tumble dry low</i> .
<b>No Heat</b>	For fluffing items without heat. For use only with the <b>Timed Dry</b> cycles.

## F Options

### Delay Dry

As the **Delay Dry** button is repeatedly pressed, the delay time sets to from 1 to 9 hours, and back to clear (0). After selecting the delay time, press **Start** and the delay time will count down the time remaining until the cycle starts.

If the **Delay Dry** button is pressed for 3 seconds, it clears (regardless of the delay time) or terminates a delaying cycle.

### Extended Tumble

Use this option to minimize the wrinkles in clothes. It provides 1 hour of no-heat tumbling after the clothes are dry. If you are using the cycle **Volume** and you select the **Extended Tumble** option, a signal will sound at the end of the drying time and every 5 minutes during the **Extended Tumble** cycle. This will remind you that it is time to remove the clothes.

### Damp Alert

This option causes the dryer to beep when clothes have dried to a damp level. Remove items that you wish to hang dry. The **Damp Alert** will only beep when this option is selected (but the dry cycle will keep running). Removing clothes and hanging them when they are damp, can reduce the need to iron some items. The light beside the button will be lit when **Damp Alert** is on.

### Rack Dry

**Rack Dry** is only allowed for timed cycles (**Timed Dry** & **Air Fluff**). The light turns off if cycle knob is turned to a non-timed cycle.

## G My Cycle Settings

As the cycle selector knob is turned, the **Time** (*Timed Dry*), **Level** (*Dryness Level*), and **Temp** (*Temperature*) settings change to automatic pre-set default settings. If you desire a different setting, press the appropriate button(s). Then press and hold the **My Cycle Settings** button for 3 seconds. The button light will turn on and the dryer will save these settings for that knob selection. In the future, when you turn the selector knob to that cycle, your settings will be automatically recalled.

To temporarily (for this load) return to the pre-set default settings, depress the **My Cycle Settings** button for 1/2 second. The button light will turn off and the options will change back to these defaults. To make these default settings permanent, hold the **My Cycle Settings** button again for 3 seconds to make them your preferred settings (the button light will turn back on). **NOTE: Volume** level cannot be set for **My Cycle Settings**.

### Volume

Use the **Volume** button to change the volume of the end of cycle and control signals. Press the button until you reach the desired volume (low-med-high) or off. The clothes should be removed when the beeper goes off so wrinkles do not set in.

#### NOTE:

- Remove garments promptly at the sound of signal. Place clothes on hangers so wrinkles will not set in.
- Use the **Volume** especially when drying fabrics like polyester, knits and permanent press. These fabrics should be removed so wrinkles will not set in.

### Drum Light

The drum light will go on if the **Drum Light** button is pushed or the door is opened. It will stay on until the door is shut or the **Drum Light** or **Power** button is pushed.

### Lock Controls

You can lock the controls to prevent any selections from being made. Or you can lock the controls after you have started a cycle. Children cannot accidentally start the dryer by touching buttons with this option selected.

**To lock the dryer controls**, press and hold the **Lock Controls** button for 3 seconds. The control lock icon will light up when locked.

**To unlock the dryer controls**, press and hold the **Lock Controls** button for 3 seconds.

**NOTE: The Power button can still be used when the machine is locked.**

## H eDry

Available for **Bulky Items, Towels/Sheets, Cottons, Mixed Loads, Jeans, Casuals/Easy Care, Active Wear, and Delicates**.

When the **eDry** button is pressed, cycle settings change to reduce the total energy consumption of the selected sensor cycle.

**NOTE: Cycle times will change when eDry is selected.** The **eDry** option will default to **on** for **Cottons**. For optimal energy savings, turn **eDry on**. For optimal drying times, turn **eDry off**. **NOTE: Energy savings will vary across loads and cycles.**

The **Efficiency Monitor** lights display the relative energy use of your selected cycle and options. They are provided as an energy guide and range from Good (1 light) to Better (5 lights). Cycle (time), dryness level, temperature, and additional tumble options can increase or decrease your energy efficiency. Some special cycles will not provide a display.

## About the dryer features.

---

### Sensor Dry

This feature is activated in all but the Timed (**Timed Dry & Air Fluff**) and Steam (**Steam Refresh & Steam Dewrinkle**) cycles.

The **Sensor Dry** provides greater drying accuracy than standard machines, resulting in shorter dry times and better clothes care. As the clothes tumble, they touch a moisture sensor. The sensor will stop the heating cycle as soon as the clothes have reached the selected dryness.

This dryer will adjust the initial estimated drying time of the sensor dry cycles as it “learns” its installation and usage profile. Please allow several weeks for the dryer to customize itself to “you”.

---

### Time Dry

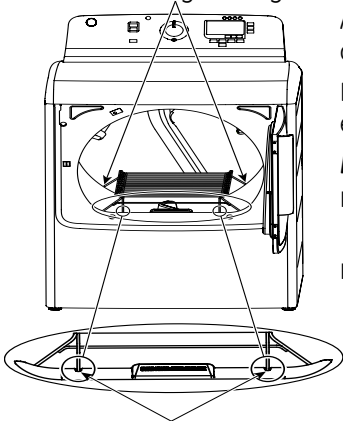
This feature is activated in **Timed Dry & Air Fluff** cycles. The time (10, 20, 30, 40, . . . 80, 90, 99) is specified via the **Time** button.

---

### Steam Cycle

This feature is activated in **Steam Refresh & Steam Dewrinkle** cycles. Use **STEAMselect** to indicate the number articles.

Two back legs on the rear wall angled ledge



Secure front two inner straight legs into the oval holes on both sides of the lint filter handle

### Drying Rack (on some models)

A handy drying rack may be used for drying delicate items such as washable sweaters.

Hook the rack over the lint filter so the rack extends into the dryer drum.

#### NOTE:

- The drying rack must be used with the **Timed Cycle**.
- Do not use this drying rack when there are other clothes in the dryer.

### To use the drying rack:

- 1** Insert the drying rack into the dryer opening with the two leg side toward the back and four leg side toward the front.
- 2** Place the two back legs on the rear wall angled ledge.
- 3** Secure front two inner straight legs into the oval holes on both sides of the lint filter handle.

**NOTE:** Rotate the dryer drum by hand clockwise to make sure the baffles clear the rack.

---

### Stainless Steel Drum

The stainless steel used to make the dryer drum provides the highest reliability available in a GE dryer. If the dryer drum should be scratched

or dented during normal use, the drum will not rust or corrode. These surface blemishes will not affect the function or durability of the drum.

---

### Drum Light

The drum light is an LED light. Replacement must be done by a qualified technician.

Always follow the fabric manufacturer's care label when laundering.



## Sorting and Loading Hints

As a general rule, if clothes are sorted properly for the washer, they are sorted properly for the dryer.

Do not add fabric softener sheets once the load has become warm. They may cause fabric softener stains. Bounce® Fabric Conditioner Dryer Sheets have been approved for use in all GE Dryers when used in accordance with the manufacturer's instructions.

**Do not overload.** This wastes energy and causes wrinkling.

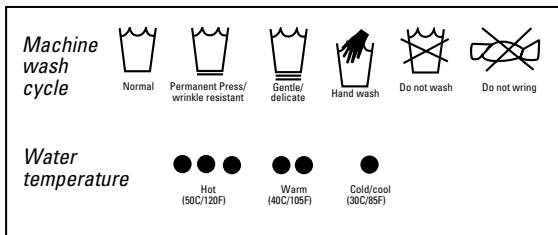
**Do not dry the following items:** fiberglass items, woolens, rubber-coated items, plastics, items with plastic trim and foam-filled items.



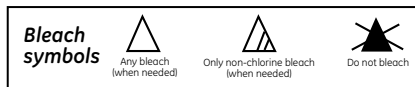
## Fabric Care Labels

Below are fabric care label "symbols" that affect the clothing you will be laundering.

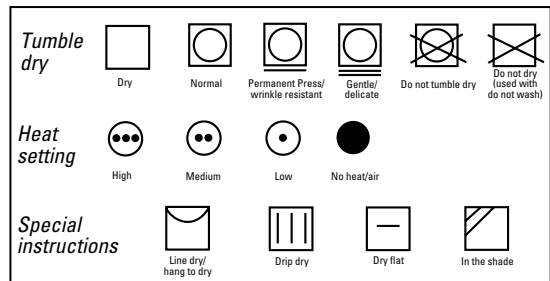
### WASH LABELS



### BLEACH LABELS



### DRY LABELS



## Care and cleaning of the dryer

**The Exterior:** Wipe or dust any spills or washing compounds with a damp cloth. Dryer control panel and finishes may be damaged by some laundry pretreatment soil and stain remover products. Apply these products away from the dryer. The fabric may then be washed and dried normally. Damage to your dryer caused by these products is not covered by your warranty.

**The Lint Filter:** Clean the lint filter before each use. Remove by pulling straight up. Run your fingers across the filter. A waxy buildup may form on the lint filter from using dryer added fabric softener sheets. To remove this buildup, wash the lint screen in warm, soapy water. Dry thoroughly and replace. Do not operate the dryer without the lint filter in place. Vacuum the lint from the dryer lint filter area if you notice a change in dryer performance.



**Stainless Steel:** To clean stainless steel surfaces, use a damp cloth with a mild, non-abrasive cleaner suitable for stainless steel surfaces. Remove the cleaner residue, and then dry with a clean cloth.

**Dryer Interior and Duct:** The interior of the appliance and exhaust duct should be cleaned once a year by qualified service personnel.

**The Exhaust Duct:** Inspect and clean the exhaust ducting at least once a year by a qualified technician to prevent clogging. A partially clogged exhaust can lengthen the drying time.

**To clean the duct, follow these steps:**

- 1 Turn off electrical supply by disconnecting the plug from the wall socket.
- 2 Disconnect the duct from the dryer.
- 3 Vacuum the duct with the hose attachment and reconnect the duct.

**The Exhaust Hood:** Check from the outside that the flaps of the hood move freely when operating. Make sure that there is not wildlife (birds, insects, etc.) nesting inside the duct or hood.

## About venting the dryer.

For the best drying performance, the dryer needs to be properly vented. **The dryer will use more energy and run longer if it is not vented to the below specifications. Carefully follow the details on Exhausting in the Installation Instructions.**

**⚠ WARNING**  - Fire Hazard

This dryer **MUST** be exhausted to the outdoors.

Use only 4" rigid metal ducting for the home exhaust duct.

Use only 4" rigid metal or UL-listed dryer transition duct to connect the dryer to the home exhaust.

**DO NOT** use a plastic vent.

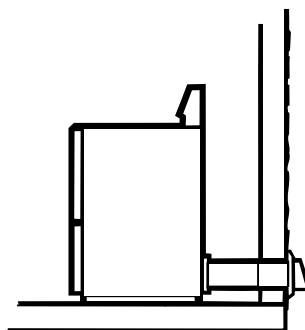
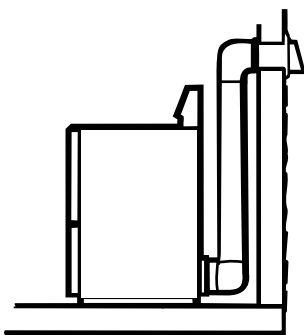
**DO NOT** exhaust into a chimney, kitchen exhaust, gas vent, wall, ceiling, attic, crawl space, or concealed space of a building.

**DO NOT** install a screen in or over the exhaust duct.

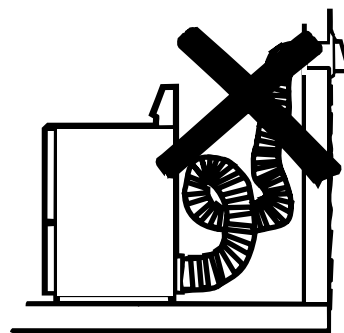
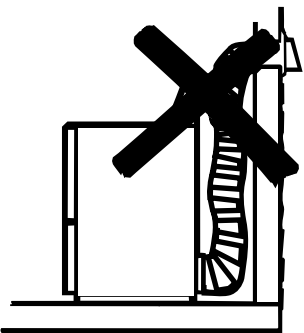
**DO NOT** use duct longer than specified in the exhaust length table.

Failure to follow these instructions can result in death or fire.

*Correct Venting*



*Incorrect Venting*



## **CleanSpeak™**

This dryer can communicate with a compatible washer (one whose Owner's Manual contains a **CleanSpeak™** description) via **WiFi Connect**.

At the end of the wash cycle, the washer sends a signal to the dryer to indicate a preferred dry cycle. When the dryer becomes idle ("**End**" display times out - or- the door is opened) "**CYCLE**" will scroll across its cycle time display, its current cycle knob setting LED will be lit, and (if different) a second recommended cycle LED will blink. If "**CYCLE**" times out, pressing **Power** will refresh it and the LEDs. If the dryer cycle knob is turned, the solid LED will move accordingly. Pressing the dryer **Start** will initiate the cycle knob setting (solid LED) and turn off the recommended (blinking LED) if a different cycle is started.

---

## **WiFi Connect (for customers in the United States. NOT AVAILABLE IN CANADA).**

Your dryer is **GE WiFi Connect Enabled**. A WiFi communication card is built into the product allowing it to communicate with your smartphone for remote monitoring, control and notifications.

Please visit [www.GEAppliances.com/connect](http://www.GEAppliances.com/connect) to learn more about connected appliance features, to learn what connected appliance app's will work with your smartphone.

WiFi Connectivity: For assistance with the appliance or the **ConnectPlus** network connectivity, please call **800-GE-CARES**.

*This device complies with Part 15 of the FCC Rules. Operation is subject to the following two conditions:*

- 1. This device may not cause harmful interference, and*
  - 2. This device must accept any interference received, including interference that may cause undesired operation.*
- This equipment has been tested and found to comply with the limits for a Class B digital device, pursuant to Part 15 of the FCC Rules. These limits are designed to provide reasonable protection against harmful interference in a residential installation. This equipment generates uses and can radiate radio frequency energy and, if not installed and used in accordance with the instructions, may cause harmful interference to radio communications. However, there is no guarantee that interference will not occur in a particular installation. If this equipment does cause harmful interference to radio or television reception, which can be determined by turning the equipment off and on, the user is encouraged to try to correct the interference by one or more of the following measures:*
- Reorient or relocate the receiving antenna.*
  - Increase the separation between the equipment and receiver.*
  - Connect the equipment into an outlet on a circuit different from that to which the receiver is connected.*
  - Consult the dealer or an experienced radio/television technician for help.*

**Labelling:** Changes or modifications to this unit not expressly approved by the manufacturer could void the user's authority to operate the equipment.

# About reversing the door.

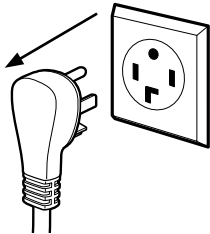
## Reversing the Door

### Tools needed:

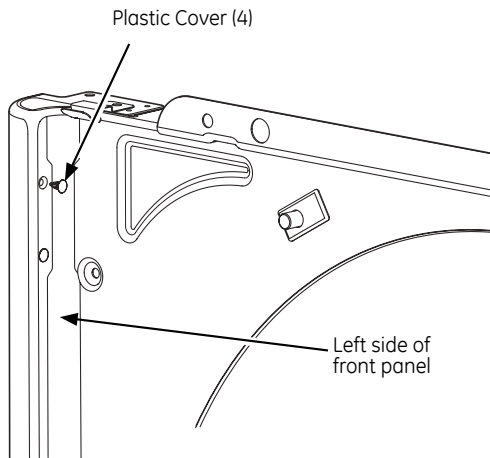
- Standard #2 Phillips screwdriver
- Tape-tipped putty knife
- Small flat blade screwdriver

### Before you Start

Unplug the dryer from its electrical outlet.

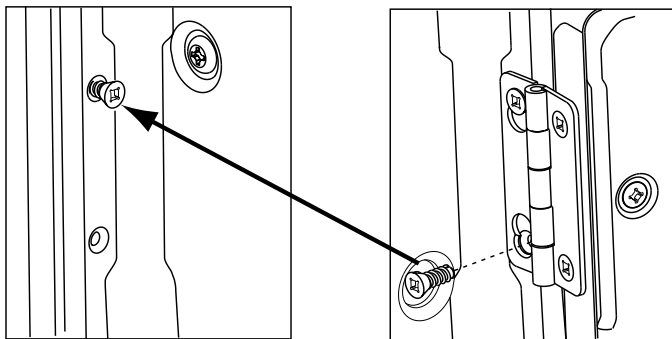


- 1** Open the door approximately 170 degrees. With a putty knife, remove the 4 plastic covers located along the left side of the front panel and set them aside.

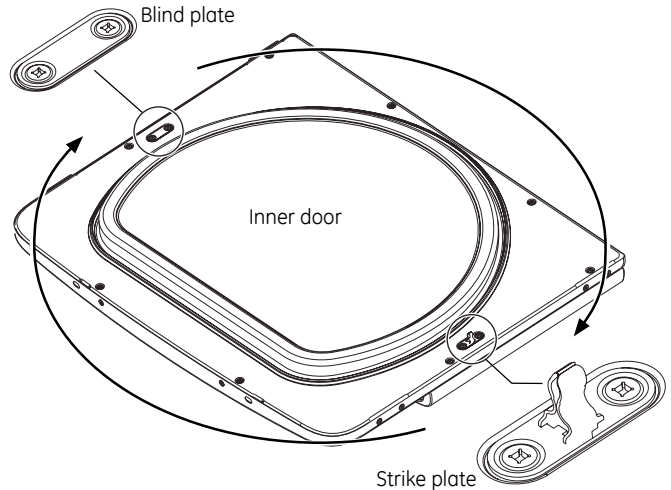


- 2** Remove the bottom screw from each hinge (right side) and partially insert them into the top left side hinge holes.

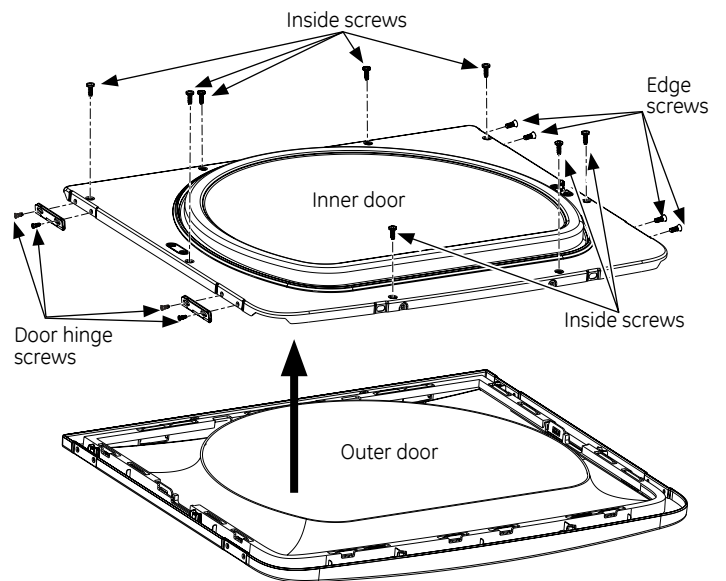
**NOTE:** All 4 front panel hinge screws will now be in the top hinge holes - 2 on the left and 2 on the right.



- 3** Loosen the bottom 2 right side hinge screws. Remove the door and place it on a protected flat surface to avoid any damage. Remove both the Blind Plate and the Strike Plate and install them in opposite positions.



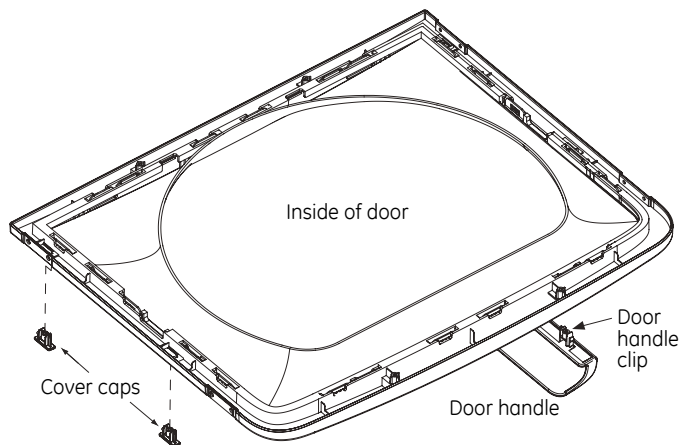
- 4** Remove the 4 door hinge screws, 4 edge screws, and 8 inside screws. Lift the inner door upwards using a flat blade screwdriver.



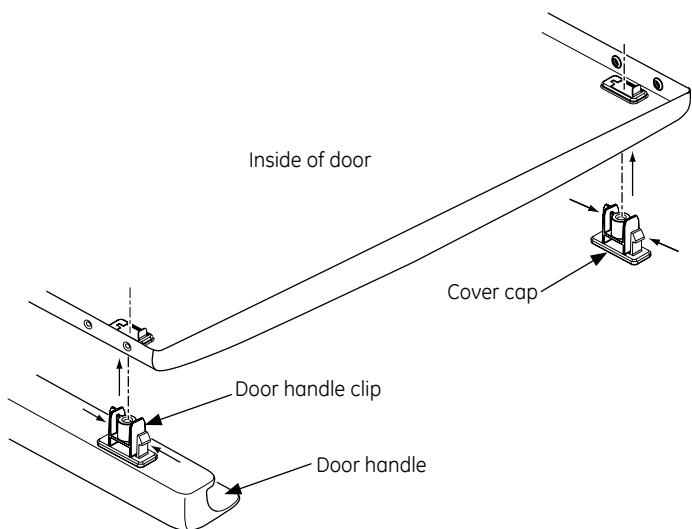


**5** Remove and swap the 2 cover caps and door handle from the outer door:

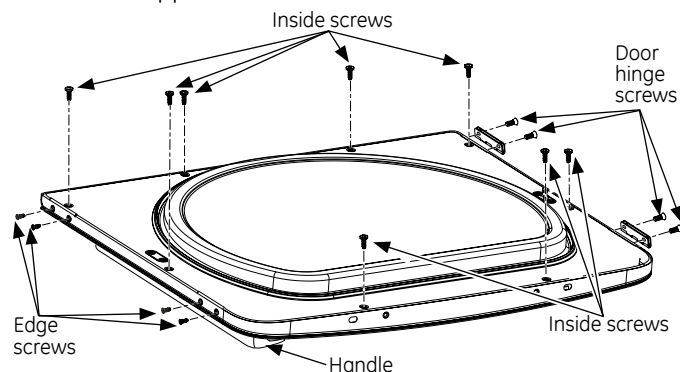
- A.** Squeeze the tabs on the inside of the door handle clips. Push clips through the outer door.
- B.** Squeeze the tabs on the inside of the cover caps. Push caps through the outer door.



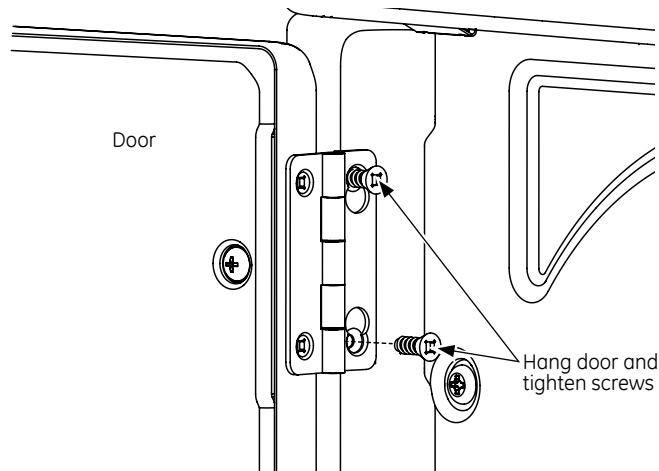
- C.** Push the door handle clips into the openings on the opposite side of the outer door making sure you flip the handle so it curves to the inside.
- D.** Push the cover caps into the openings on the outer door where the handle was removed.



**6** With the cover caps and door handle in place, mount the inner door back into the outer door with the screws removed in step 4. Make sure you mount the hinges on the side opposite the handle.



**7** Mount the assembled door on the 2 upper left side hinge screws installed in step 2. Move the hinge screws loosened in step 3 into the lower left side screw holes and firmly tighten all 4 screws.

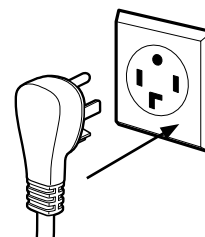


**8** Install the 4 plastic caps removed in step 1 into the 4 right side front panel holes.

**NOTE:** To return the door to the original setup, follow these instructions, swapping “left” and “right”.

**When you finish**

Plug the dryer back into its electrical outlet.



## Before you call for service...



*Troubleshooting Tips*  
 Save time and money! Review the charts on the following pages,  
 or visit [GEAppliances.ca](http://GEAppliances.ca). You may not need to call for service.

<b>Problem</b>	<b>Possible Causes</b>	<b>What To Do</b>
<b>Dryer doesn't start</b>	<b>Dryer is unplugged</b>	<ul style="list-style-type: none"> <li>• Make sure the dryer plug is pushed completely into the outlet.</li> </ul>
	<b>House Fuse is blown/circuit breaker is tripped</b>	<ul style="list-style-type: none"> <li>• Check the house fuse/circuit breaker box and replace fuse or reset breaker. <b>NOTE:</b> Most electric dryers use two fuses/breakers.</li> </ul>
	<b>Dryer fuse blown</b>	<ul style="list-style-type: none"> <li>• The single (Gas) or one of the two (Electric) fuses in the rear of the backsplash blew because the house circuit protection didn't work. Have a qualified technician check for power at outlet.</li> </ul>
<b>Dryer doesn't heat</b>	<b>House Fuse is blown/circuit breaker is tripped; the dryer may tumble but not heat</b>	<ul style="list-style-type: none"> <li>• Check the house fuse/circuit breaker box and replace both fuses or reset both breakers. Your dryer may tumble if only one fuse is blown or one breaker is tripped.</li> </ul>
	<b>Gas service is off</b>	<ul style="list-style-type: none"> <li>• Make sure gas shutoff at dryer and main shutoff are fully open.</li> </ul>
	<b>No heat temperature selected</b>	<ul style="list-style-type: none"> <li>• Select another heat setting.</li> </ul>
<b>Dryer shakes or makes noise</b>	<b>Some shaking/noise is normal. Dryer may be sitting unevenly</b>	<ul style="list-style-type: none"> <li>• Move dryer to an even floor space, or adjust leveling legs as necessary until even.</li> </ul>
<b>Greasy spots on clothes</b>	<b>Improper use of fabric softener</b>	<ul style="list-style-type: none"> <li>• Follow directions on fabric softener package.</li> </ul>
	<b>Drying dirty items with clean ones</b>	<ul style="list-style-type: none"> <li>• Use your dryer to dry only clean items. Dirty items can stain clean items and the dryer.</li> </ul>
	<b>Clothes were not completely clean</b>	<ul style="list-style-type: none"> <li>• Sometimes stains which cannot be seen when the clothes are wet appear after drying. Use proper washing procedures before drying.</li> </ul>
<b>Lint on clothes</b>	<b>Lint filter is full</b>	<ul style="list-style-type: none"> <li>• Clean lint screen before each load.</li> </ul>
	<b>Improper sorting</b>	<ul style="list-style-type: none"> <li>• Sort lint producers (like chenille) from lint collectors (like corduroy).</li> </ul>
	<b>Static electricity can attract lint</b>	<ul style="list-style-type: none"> <li>• See suggestions in this section under <b>Static occurs</b>.</li> </ul>
	<b>Overloading</b>	<ul style="list-style-type: none"> <li>• Separate large loads into smaller ones.</li> </ul>
	<b>Paper, tissue, etc., left in pockets</b>	<ul style="list-style-type: none"> <li>• Empty all pockets before laundering clothes.</li> </ul>
<b>Static occurs</b>	<b>No fabric softener was used</b>	<ul style="list-style-type: none"> <li>• Try a fabric softener.</li> <li>• Bounce® Fabric Conditioner Dryer Sheets have been approved for use in all GE Dryers when used in accordance with the manufacturer's instructions.</li> </ul>
	<b>Over-drying</b>	<ul style="list-style-type: none"> <li>• Try a fabric softener.</li> <li>• Adjust setting to <b>Less Dry</b> or <b>Damp</b>.</li> </ul>
	<b>Synthetics, permanent press and blends can cause static</b>	<ul style="list-style-type: none"> <li>• Try a fabric softener.</li> </ul>
<b>Inconsistent drying times</b>	<b>Type of heat</b>	<ul style="list-style-type: none"> <li>• Automatic drying times will vary according to the type of heat used (electric, natural or LP gas), size of load, types of fabrics, wetness of clothes and condition of exhaust ducts.</li> </ul>
<b>The Dry dryness level was chosen but load is still damp</b>	<b>Load consists of a mixture of heavy and light fabrics</b>	<ul style="list-style-type: none"> <li>• When combining heavy and light fabrics in a load, choose <b>More Dry</b> if you are using a sensor cycle.</li> </ul>
	<b>Exhaust system is blocked</b>	<ul style="list-style-type: none"> <li>• Inspect and clean exhaust system.</li> </ul>



<b>Problem</b>	<b>Possible Causes</b>	<b>What To Do</b>
<b>Clothes take too long to dry</b>	<b>Improper sorting</b>	<ul style="list-style-type: none"> <li>Separate heavy items from lightweight items (generally, a well-sorted washer load is a well-sorted dryer load).</li> </ul>
	<b>Large loads of heavy fabrics (like beach towels)</b>	<ul style="list-style-type: none"> <li>Large, heavy fabrics contain more moisture and take longer to dry. Separate large, heavy fabrics into smaller loads to speed drying time.</li> </ul>
	<b>Controls improperly set</b>	<ul style="list-style-type: none"> <li>Match control settings to the load you are drying.</li> </ul>
	<b>eDry option is on</b>	<ul style="list-style-type: none"> <li>For optimal drying times, turn <b>eDry off</b>.</li> <li>For optimal energy savings, turn <b>eDry on</b>.</li> </ul>
	<b>Lint filter is full</b>	<ul style="list-style-type: none"> <li>Clean lint filter before every load.</li> </ul>
	<b>Improper or obstructed ducting</b>	<ul style="list-style-type: none"> <li>Check installation instructions for proper ducting/venting.</li> <li>Make sure ducting is clean, free of kinks and unobstructed.</li> <li>Check to see if outside wall damper operates easily.</li> <li>Check the Installation Instructions to make sure the dryer venting is correct.</li> </ul>
	<b>Blown fuses or tripped circuit breaker</b>	<ul style="list-style-type: none"> <li>Replace fuses or reset circuit breakers. Electric dryers use 2 fuses/breakers, make sure both are operating.</li> </ul>
	<b>Overloading/combining loads</b>	<ul style="list-style-type: none"> <li>Do not put more than one washer load in the dryer at a time.</li> </ul>
<b>Clothes are wrinkled</b>	<b>Under-loading</b>	<ul style="list-style-type: none"> <li>If you are drying only one or two items, add a few items to ensure proper tumbling.</li> </ul>
	<b>Over-drying</b>	<ul style="list-style-type: none"> <li>Select a shorter drying time.</li> <li>Remove items while they still hold a slight amount of moisture. Select a <b>Less Dry</b> or <b>Damp Dry</b> setting.</li> </ul>
	<b>Letting items sit in dryer after cycle ends</b>	<ul style="list-style-type: none"> <li>Remove items when cycle ends and fold or hang immediately.</li> </ul>
<b>Clothes shrink</b>	<b>Overloading</b>	<ul style="list-style-type: none"> <li>Separate large loads into smaller ones.</li> </ul>
	<b>Some fabrics will naturally shrink when washed. Others can be safely washed, but will shrink in the dryer</b>	<ul style="list-style-type: none"> <li>To avoid shrinkage, follow garment care labels exactly.</li> <li>Some items may be pressed back into shape after drying.</li> <li>If you are concerned about shrinkage in a particular item, do not machine wash or tumble dry it</li> </ul>
<b>Water seen on inside of door and top of lint filter when opening door after steam cycle</b>	<b>Steam condenses on these surfaces</b>	<ul style="list-style-type: none"> <li>This is normal.</li> </ul>
<b>Small areas on clothes are damp after steam cycle</b>	<b>Steam condenses on inner drum</b>	<ul style="list-style-type: none"> <li>If using the <b>Steam Dewrinkle</b> cycle, manually reduce the cycle time or select fewer number of garments with <b>Steam Select</b>. If using the <b>Steam Refresh</b> cycle, add more garments to the load.</li> </ul>
<b>Collars and waistbands still wet at end of cycle</b>	<b>The dryness monitor senses that the body of the clothes is dry</b>	<ul style="list-style-type: none"> <li>Choose <b>Speed Dry</b> or <b>Timed Dry</b> to dry damp collars and waistbands. In the future, when drying a load with collars and waistbands, choose <b>More Dry</b>.</li> </ul>
<b>Slight variation in metallic color</b>	<b>This is normal</b>	<ul style="list-style-type: none"> <li>Due to the metallic properties of paint used for this unique product, slight variations of color may occur due to viewing angles and lighting conditions.</li> </ul>

## Before you call for service...



<b>Problem</b>	<b>Possible Causes</b>	<b>What To Do</b>
<i>Small amount of water on floor in front of dryer</i>	Inadequate load size for steam cycle selected, excess steam condenses inside cabinet and leaks out	<ul style="list-style-type: none"> <li>If using the <b>Steam Dewrinkle</b> cycle, manually reduce time or select fewer number of garments with <b>Steam Select</b>. If using the <b>Steam Refresh</b> cycle, add more garments to the load.</li> </ul>
<i>Water on floor in back of dryer</i>	Loose water hose connection to valve	<ul style="list-style-type: none"> <li>Tighten connection.</li> </ul>
	Hose missing rubber washer at connection with valve	<ul style="list-style-type: none"> <li>Install rubber washer provided with hose.</li> </ul>
<i>Water drips from door when opened after a Steam Cycle</i>	Steam condenses on inner door	<ul style="list-style-type: none"> <li>This is normal.</li> </ul>
<i>Cannot see steam at beginning of cycle</i>	Steam released at different time in cycle	<ul style="list-style-type: none"> <li>This is normal.</li> </ul>
<i>Cannot see steam at any time during the cycle</i>	The steam nozzle might be clogged with debris from your water supply	<ul style="list-style-type: none"> <li>Call <b>800.GE.CARES</b> to order nozzle replacement kit <b>WE25M71</b> or to request a service technician to replace this for you.</li> </ul>
<i>Garments still wrinkled after steam cycle</i>	Too many garments	<ul style="list-style-type: none"> <li>Load fewer garments; manually increase time.</li> </ul>
<i>Garments are wet after Steam cycle</i>	Lint filter not clean	<ul style="list-style-type: none"> <li>Clean lint filter</li> </ul>
	Load is children/infant garments	<ul style="list-style-type: none"> <li>Use the <b>Steam Refresh</b> cycle.</li> </ul>
<i>No numbers displayed during cycle, only lights</i>	Dryer is continuously monitoring the amount of moisture in the clothes	<ul style="list-style-type: none"> <li>This is normal. When the dryer senses a low level of moisture in the load, the dryer will display the dry time remaining.</li> </ul>
<i>Time Remaining jumped to a lower number</i>	The estimated time may change when a smaller load than usual is drying	<ul style="list-style-type: none"> <li>This is normal.</li> </ul>
<i>Dryer is running but 000 is displayed in Time Remaining</i>	The Extended Tumble option/ Steam Refresh cycle was chosen	<ul style="list-style-type: none"> <li>This is normal. During <b>Extended Tumble</b> option/<b>Steam Refresh</b> cycle, the time remaining is not displayed. The extended tumble option lasts approximately 60 minutes.</li> </ul>
<i>Clothes are still wet and dryer shuts off after a short time</i>	The door was opened mid-cycle. The load was then removed from the dryer and a new load put in without selecting a new cycle	<ul style="list-style-type: none"> <li>A dry cycle must be re-selected each time a new load is put in.</li> </ul>
	Small load	<ul style="list-style-type: none"> <li>When drying 3 items or less, choose <b>Speed Dry</b> or <b>Timed Dry</b>.</li> </ul>
	Load was already dry except for collars and waistbands	<ul style="list-style-type: none"> <li>Choose <b>Speed Dry</b> or <b>Timed Dry</b> to dry damp collars and waistbands. In the future, when drying a load with collars and waistbands, choose <b>More Dry</b>.</li> </ul>
	Dryer is not level	<ul style="list-style-type: none"> <li>Move dryer to an even floor space or adjust leveling legs as necessary until even.</li> </ul>
<i>Dryer turns off</i>	Very small load (such as one item) is not activating the dry sensor	<ul style="list-style-type: none"> <li>Use the <b>Timed Dry</b> cycle option, select the desired dry time.</li> </ul>

# GE Dryer Warranty.



All warranty support provided by our authorized servicers. To schedule service, on-line, 24 hours a day, visit us at [GEAppliances.ca](http://GEAppliances.ca) or call **800.561.3344**. Please have serial number and model number available when calling for service.

Staple your receipt here. Proof of the original purchase date is needed to obtain support under the warranty.

**Servicing your appliance may require the use of the onboard data port for diagnostics. This gives a GE Factory Service technician the ability to quickly diagnose any issues with your appliance and helps GE improve its products by providing GE with information on your appliance. If you do not want your appliance data to be sent to GE, please advise your technician NOT to submit the data to GE at the time of service.**

## For The Period Of: GE Will Replace:

### One Year

From the date of the original purchase

**Any part** of the dryer which fails due to a defect in materials or workmanship. During this **limited one-year warranty**, GE will also provide, **free of charge**, all labor and related service costs to replace the defective part.

## What GE Will Not Cover:

- Service trips to your home to teach you how to use the product.
- Improper installation, delivery or maintenance.
- Failure of the product if it is abused, misused, or used for other than the intended purpose or used commercially.
- Replacement of house fuses or resetting of circuit breakers.
- Damage to the product caused by accident, fire, floods or acts of God.
- Incidental or consequential damage caused by possible defects with this appliance.
- Damage caused after delivery.
- Product not accessible to provide required service.
- Defects or damage due to operation in freezing temperatures.
- Products which are not defective or broken, or which are working as described in the Owner's Manual.

**EXCLUSION OF IMPLIED WARRANTIES—Your sole and exclusive remedy is product repair as provided in this Limited Warranty. Any implied warranties, including the implied warranties of merchantability or fitness for a particular purpose, are limited to one year or the shortest period allowed by law.**

This warranty is extended to the original purchaser and any succeeding owner for products purchased in Canada for home use within Canada. If the product is located in an area where service by a GE Authorized Servicer is not available, you may be responsible for a trip charge or you may be required to bring the product to an Authorized GE Service location for service.

Some states do not allow the exclusion or limitation of incidental or consequential damages. This warranty gives you specific legal rights, and you may also have other rights which vary from state to state. To know what your legal rights are, consult your local or state consumer affairs office or your state's Attorney General.

Warrantor: MC Commercial, Burlington, L7T 3R6

## Consumer Support.

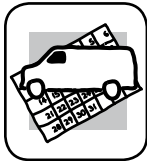
---



### *GE Appliances Website*

***GEAppliances.ca***

Have a question or need assistance with your appliance? Try the GE Appliances Website 24 hours a day, any day of the year! For greater convenience and faster service, you can now download Owner's Manuals, order parts or even schedule service on-line.



### *Schedule Service*

***GEAppliances.ca***

Expert GE repair service is only one step away from your door. Get on-line and schedule your service at your convenience 24 hours any day of the year! Or call **800.561.3344** during normal business hours.



### *Real Life Design Studio*

***GEAppliances.ca***

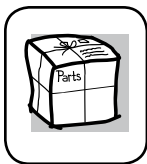
GE supports the Universal Design concept—products, services and environments that can be used by people of all ages, sizes and capabilities. We recognize the need to design for a wide range of physical and mental abilities and impairments. For details of GE's Universal Design applications, including kitchen design ideas for people with disabilities, check out our Website today.



### *Extended Warranties*

***GEAppliances.ca***

Please consult your local listings for an extended warranty provider.

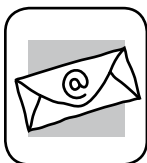


### *Parts and Accessories*

***GEApplianceparts.com***

Please consult your local listings for an authorized GE parts distributor or call 800.661.1616

Instructions contained in this manual cover procedures to be performed by any user. Other servicing generally should be referred to qualified service personnel. Caution must be exercised, since improper servicing may cause unsafe operation.



### *Contact Us*

***GEAppliances.ca***

If you are not satisfied with the service you receive from GE, contact us on our Website with all the details including your phone number, or write to:

Manager, Consumer Relations  
MC Commercial Inc.  
Suite 310, 1 Factory Lane  
Moncton N.-B. E1C 9M3



### *Register Your Appliance*

***GEAppliances.ca***

**Register your new appliance on-line—at your convenience!** Timely product registration will allow for enhanced communication and prompt service under the terms of your warranty, should the need arise. You may also mail in the pre-printed registration card included in the packing material.



# Sècheuses

Manuel de l'utilisateur

**Sécurité** ..... 2, 3

**Utilisation**

Caractéristiques ..... 8

Chargement et utilisation de la sècheuse .. 9

Communication avec l'appareil ..... 10

Évacuation de la sècheuse ..... 11

Inversion de la porte ..... 12, 13

Utilisation ..... 4-7

**Dépannage** ..... 14-16

**Service à la clientèle**

Garantie ..... 19

Pièces et accessoires ..... 3, 20

Service à la clientèle ..... 20



Inscrivez les numéros de modèle et de série ici :

N° de modèle \_\_\_\_\_

N° de série \_\_\_\_\_

Vous trouverez ces numéros sur une étiquette située à l'avant de la sècheuse, derrière la porte.

# CONSIGNES DE SÉCURITÉ IMPORTANTES.

## LISEZ TOUTES LES INSTRUCTIONS AVANT D'UTILISER VOTRE APPAREIL.

**!** Il s'agit du symbole d'avertissement de sécurité. Il vous avertit des dangers potentiels qui pourraient provoquer la mort ou des blessures, à vous ou à autrui. Tous les messages de sécurité suivent ce symbole d'avertissement de sécurité et les mots « DANGER », « AVERTISSEMENT » ou « ATTENTION ». Voici la définition de ces mots :

**! DANGER** Indique une situation dangereuse qui, si elle n'est pas évitée, **entraînera** la mort ou des blessures sérieuses.

**! AVERTISSEMENT** Indique une situation dangereuse qui, si elle n'est pas évitée, **pourrait** entraîner la mort ou des blessures sérieuses.

**! ATTENTION** Indique une situation dangereuse qui, si elle n'est pas évitée, **pourrait** entraîner des blessures mineures ou plus sérieuses.

## CONSIGNES DE SÉCURITÉ IMPORTANTES

**! AVERTISSEMENT** Pour réduire les risques d'incendie, d'explosion, de choc électrique ou de blessures lorsque vous utilisez votre appareil, suivez les mesures de sécurité de base, notamment :

- Lisez toutes les instructions avant d'utiliser l'appareil.
- Ne séchez PAS d'articles qui ont été nettoyés, lavés, trempés ou tachés avec de l'essence, du solvant pour nettoyage à sec ou d'autres produits combustibles ou substances explosives, car ces derniers peuvent dégager des vapeurs qui pourraient s'enflammer ou exploser.
- Ne placez PAS d'objets exposés à des huiles de cuisson dans votre sècheuse. Les objets contaminés par des huiles de cuisson peuvent causer une réaction chimique susceptible d'enflammer les articles dans la sècheuse.
- Ne laissez PAS les enfants jouer sur ou à l'intérieur de cet appareil. La présence d'enfants près de cet appareil lorsqu'il est en marche doit faire l'objet d'une étroite supervision. Avant de mettre l'appareil au rebut ou hors service, retirez la porte de la sècheuse.
- Ne mettez PAS la main dans l'appareil lorsqu'il est en mouvement.
- N'installez ou n'entrez PAS cet appareil dans un endroit où il sera exposé aux intempéries.
- Ne modifiez PAS les commandes, ne réparez ou ne remplacez pas de pièce de cet appareil et ne tentez pas d'effectuer une réparation, sauf si cette procédure est recommandée expressément dans les instructions d'entretien de l'utilisateur ou dans les instructions de réparation de l'utilisateur et que vous possédez les connaissances et les aptitudes requises pour le faire.
- N'utilisez PAS d'assouplissant ou de produits pour éliminer l'électricité statique à moins que cela ne soit recommandé par le fabricant d'assouplissant.
- N'utilisez PAS de chaleur pour sécher des articles contenant de la mousse et du caoutchouc ou tout autre matériau ayant une texture similaire au caoutchouc.
- Nettoyez le filtre à charpie avant ou après chaque séchage. N'UTILISEZ PAS la sècheuse sans le filtre à charpie en place.
- Ne rangez pas de produits combustibles, d'essence ou d'autres liquides inflammables à proximité de la sècheuse. Maintenez la zone située à proximité de l'ouverture d'évacuation et la zone environnante libres de toute charpie, poussière et saleté.
- L'intérieur de l'appareil et le conduit d'évacuation doivent être nettoyés régulièrement par un technicien qualifié.
- Ne placez PAS d'objets exposés à des huiles de cuisson dans votre sècheuse. Les objets contaminés par des huiles de cuisson peuvent causer une réaction chimique susceptible d'enflammer les articles dans la sècheuse. Gardez l'aire de sècheuse libre et exempte d'éléments pouvant obstruer le débit de la combustion et de la ventilation.
- Assurez-vous que le plancher situé autour de vos électroménagers est propre et sec afin de réduire les risques de glissade.
- Débranchez l'appareil ou fermez son disjoncteur avant de procéder à l'entretien. L'alimentation ne se coupe PAS lorsque vous appuyez sur les touches **Power** (alimentation) ou **Start/Pause** (départ/pause).
- N'utilisez PAS cet appareil s'il est endommagé, s'il fonctionne mal, s'il est partiellement démonté ou si certaines de ses pièces manquent ou sont cassées (y compris le cordon d'alimentation ou la fiche).
- Ne vaporisez JAMAIS de produit en aérosol à l'intérieur, sur ou à proximité de la sècheuse. N'utilisez aucun produit de nettoyage en vaporisateur lorsque vous nettoyez l'intérieur de la sècheuse. Ceci pourrait provoquer la formation de fumées dangereuses ou causer un choc électrique.
- Consultez la section sur le « Branchement électrique » des instructions d'installation pour obtenir les procédures de mise à la terre.

## CONSERVEZ CES INSTRUCTIONS



## AVERTISSEMENTS SUPPLÉMENTAIRES POUR LES SÉCHEUSES À GAZ

**⚠ AVERTISSEMENT** Pour votre sécurité et pour réduire les risques d'incendie, d'explosion, de dommages, de blessures ou même d'accident mortel, vous devez vous conformer aux instructions contenues dans ce manuel.

- Ne rangez PAS ou n'utilisez PAS d'essence ou d'autres vapeurs et liquides inflammables à proximité de cet appareil ou de tout autre appareil électroménager.
- QUE FAIRE SI VOUS DÉTECTEZ UNE ODEUR DE GAZ :
  - N'essayez PAS d'allumer aucun appareil.
  - Ne touchez à AUCUN commutateur électrique; n'utilisez AUCUN téléphone de votre domicile.
  - Évacuez tout le monde de la pièce, de l'édifice ou de la zone.
  - Appelez immédiatement votre fournisseur de gaz depuis le téléphone d'un voisin. Suivez les instructions de votre fournisseur de gaz.
  - Si vous ne pouvez joindre votre fournisseur de gaz, appelez les pompiers.
- L'installation ainsi que toute réparation doivent être effectuées par un installateur ou une entreprise de service qualifiés, ou le fournisseur de gaz.

### Avertissement relatif à la proposition 65 de la Californie

La Safe Drinking Water and Toxic Enforcement Act de la Californie exige que le gouverneur de cet État publie une liste des substances connues pouvant entraîner le cancer, des anomalies congénitales ou d'autres problèmes liés au système reproducteur et exige que les entreprises préviennent les clients des dangers possibles qu'entraîne une exposition à de telles substances.

**⚠ AVERTISSEMENT** Ce produit contient un ou plusieurs produits chimiques reconnus par l'État de la Californie comme pouvant causer le cancer, des anomalies congénitales ou d'autres anomalies au système reproductif.

Les appareils à gaz peuvent causer une faible exposition à certaines de ces substances, y compris le benzène, le monoxyde de carbone, le formaldéhyde et la suie, qui sont principalement engendrées par la combustion incomplète du gaz naturel ou du GPL. L'exposition à ces substances peut être réduite par une ventilation adéquate de la sècheuse vers l'extérieur.

## INSTALLATION APPROPRIÉE

Avant d'être utilisée, cette sècheuse doit être installée conformément aux instructions d'installation. Si vous n'avez pas reçu les instructions d'installation, vous pouvez les obtenir sur le site Web [electromenagersGE.ca](http://electromenagersGE.ca) ou en appelant le **1 800 561-3344**.

- Mettez la sècheuse à la terre conformément aux codes et règlements en vigueur. Suivez les instructions détaillées de la section « Instructions d'installation ».
- Installez ou entreposez l'appareil à un endroit où il ne sera exposé ni à des températures en-dessous du point de congélation ni aux intempéries.
- Raccordez à un circuit d'alimentation correctement calibré, protégé et dimensionné pour éviter les surcharges.
- Retirez toutes les parties coupantes de l'emballage et jetez le matériel d'emballage.
- Retirez la pellicule protectrice de couleur du panneau de commande.
- Ne bloquez pas la circulation d'air. N'empilez pas ou ne placez pas votre lessive, et ne suspendez pas de tapis contre les parois avant et arrière de la sècheuse.

### Boyaux d'alimentation en vapeur :

GE recommande fortement d'utiliser les pièces spécifiées du fabricant. Une liste de boyaux manufacturés disponibles pour l'achat figure ci-dessous. Ces boyaux ont été fabriqués et testés afin de répondre aux spécifications de GE.

GE recommande fortement d'utiliser de nouveaux boyaux d'alimentation en eau. Les boyaux se dégradent avec le temps et doivent être remplacés tous les cinq ans afin de réduire le risque de bris de boyau et de dégâts d'eau.

### Pièces et accessoires

Visitez votre distributeur de pièces GE autorisé ou commandez par téléphone au **1 800 661-1616** pendant les heures normales d'ouverture.

Numéro de pièce	Accessoire
WE25M53	Ensemble complet (boyaux, raccord en Y, rondelles) (inclus)
OU	
WE1M847	Boyaux long et
WE1M848	Boyaux court
PM14X10056	Brosse à évent de la porte de sècheuse (non inclus)
WX14X10007	Brosse du tube rotatif de sècheuse LintEater <sup>MC</sup> (non inclus)
DR07X10005	Câble de 6 pi (1,83 m)

### Conduit d'évacuation :

- 1 L'évacuation de toute sècheuse **DOIT** être orientée vers l'extérieur pour empêcher que de grandes quantités d'humidité et de charpie soient évacuées dans la pièce.
- 2 Utilisez uniquement un conduit métallique rigide de 4 po (10,2 cm) à l'intérieur de l'espace de la sècheuse et un adaptateur de conduit métallique rigide de 4 po (10,2 cm) ou homologué cUL entre la sècheuse et le conduit domestique. **L'UTILISATION D'UN CONDUIT EN PLASTIQUE OU FABRIQUÉ EN UN AUTRE MATÉRIAU COMBUSTIBLE PEUT CAUSER UN INCENDIE. LE CONDUIT PERFORÉ PEUT CAUSER UN INCENDIE S'IL S'ÉCRASE OU SE BOUCHE AU COURS DE L'UTILISATION OU DE L'INSTALLATION.**

Pour plus de détails, reportez-vous aux Instructions d'installation.

## CONSERVEZ CES INSTRUCTIONS

# Utilisation

## ⚠️ AVERTISSEMENT!

Pour réduire les risques d'incendie, de choc électrique ou de blessures, veuillez lire les **CONSIGNES DE SÉCURITÉ IMPORTANTES** avant de faire fonctionner cet appareil.

### ⚠️ AVERTISSEMENT



#### Risque d'explosion

Tenez les matières et les vapeurs inflammables, comme l'essence, à l'écart de la sècheuse.

Ne placez AUCUN article ayant déjà eu des traces de produit inflammable (même après avoir été lavé).

Le non-respect de cette consigne peut entraîner la mort, une explosion ou un incendie.

### ⚠️ AVERTISSEMENT



#### Risque d'incendie

Aucune laveuse ne permet d'éliminer complètement l'huile.

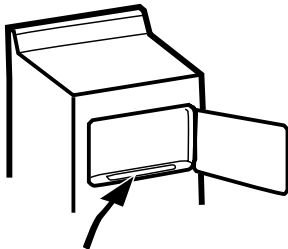
Ne placez aucun article à la sècheuse ayant déjà eu des traces de tout type d'huile (y compris les huiles de cuisson).

Les articles contenant de la mousse, du caoutchouc ou du plastique doivent être séchés sur une corde à linge ou au programme de séchage à l'air.

Le non-respect de cette consigne peut entraîner la mort, une explosion ou un incendie.

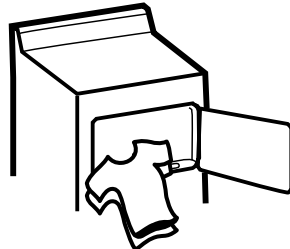
Les caractéristiques et l'apparence de la sècheuse montrée dans ce manuel peuvent varier selon le modèle.

#### Étape 1



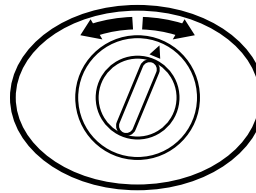
- Nettoyez le filtre à charpie.

#### Étape 2



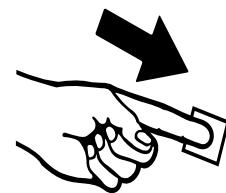
- Ajoutez le linge.
- Fermez la porte.

#### Étape 3



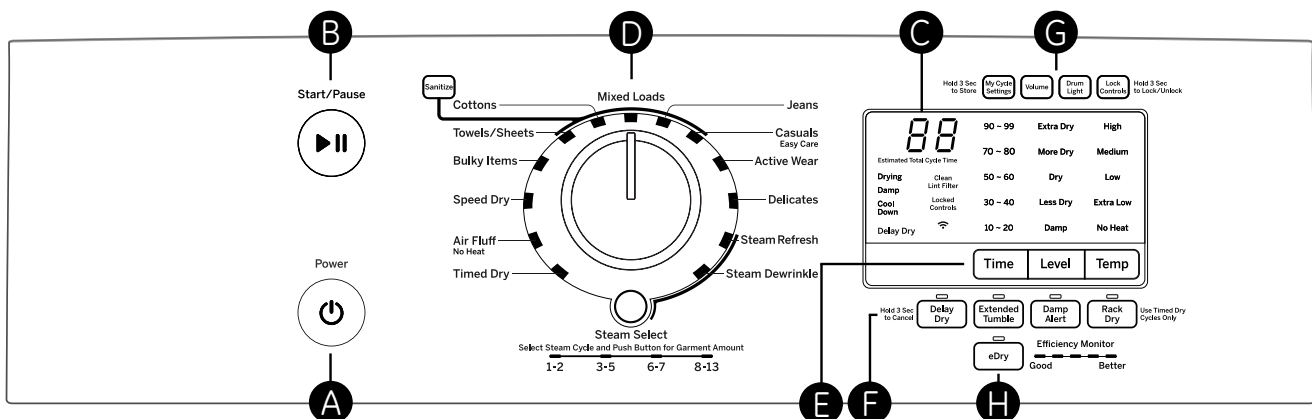
- Sélectionnez le programme de séchage.

#### Étape 4



- Appuyez sur la touche Start (départ).

# Commandes



## **A** Alimentation

Appuyez pour activer l'affichage. Si l'affichage est activé, appuyez sur cette touche pour mettre la sècheuse en mode veille.

**REMARQUE** : L'alimentation électrique de l'appareil n'est pas coupée lorsque vous appuyez sur **Power** (alimentation).

## **B** Départ et Pause

Appuyez sur **Start** (départ) pour lancer le programme. **REMARQUE** : La porte de la sècheuse doit être fermée pour permettre au programme de débiter. La touche **Pause** permet de mettre le programme sur pause; la touche **Start** (départ) clignotera et le mot « **PAUSE** » défilera sur l'afficheur.

Pour relancer le programme, appuyez de nouveau sur la touche **Start** (départ). Pour arrêter le programme, maintenez le bouton enfoncé pendant 3 secondes.

## **C** Voyants d'affichage et de progression

La durée restante estimée avant la fin du programme s'affiche.

**De plus, l'état de progression de la sècheuse défilera à l'écran :**

- **PAUSE** Le mot « **PAUSE** » défile sur l'afficheur lorsque le programme de la sècheuse est mis sur pause. Vous pouvez relancer le programme en appuyant sur le bouton **Start** (départ).
- **door** Le mot « **door** » (porte) s'affiche lorsque la porte est ouverte pendant un programme.
- **CyCLE** Le mot « **CyCLE** » (programme) s'affiche lorsque les vêtements sont secs et que la sècheuse recommande un programme pour la prochaine brassée (reportez-vous à la section sur le système de communication **CleanSpeak**).
- **dELAY** Le mot « **dELAY** » (différé) s'affiche lorsque le séchage différé est activé. Il sera remplacé par la durée estimée dès que le programme débutera.

### **Voyants de progression du programme**

Ils indiquent si la sècheuse est au programme **DRYING**, **DAMP** ou **COOL DOWN** (séchage, humidité ou refroidissement).

**Les voyants de progression des fonctions indiquent :**

**Delay Dry** (séchage différé) Un séchage différé a été programmé.

**Locked Controls** (commandes verrouillées) La sècheuse est verrouillée; le voyant clignotera une fois si vous appuyez sur un bouton ou si vous tournez le bouton de sélection de programme.

**Clean Lint Filter** (nettoyage du filtre à charpie) Le voyant restera allumé pendant environ 15 secondes une fois le programme terminé.



La sècheuse est connectée au réseau et elle peut communiquer avec un appareil intelligent également connecté.  
(NON DISPONIBLE AU CANADA)

# Utilisation

**D** Programmes de séchage : le capteur de programme détermine automatiquement le degré de séchage des tissus. Les programmes minutés fonctionnent pendant les durées programmées.

<b>Timed Dry (séchage minuté)</b>	Réglez le temps de séchage désiré à l'aide du bouton de sélection de programme.
<b>Quick Fluff (duvetage rapide)/ No Heat (sans chaleur)</b>	Pour le rafraîchissement ou le duvetage des vêtements, des tissus, du linge de maison et des oreillers déjà secs. Elle s'utilise avec l'option <b>No Heat</b> (sans chaleur). Offre 10 minutes de culbutage sans chaleur.
<b>Quick Dry (séchage rapide)</b>	Pour les petits volumes de linge, dont on a rapidement besoin, comme les tenues de sport ou les uniformes d'école. Peut également être utilisé si du linge est encore humide à la fin d'un autre programme (cols ou ceintures par exemple). <b>REMARQUE</b> : Sur certains modèles, le décompte de la durée restante du programme s'affiche à l'écran.
<b>Bulky Items (articles volumineux)</b>	Pour les grands manteaux, couvre-lits, couvre-matelas, sacs de couchage et autres gros/volumineux articles comme les couvertures, les vestes et les petits tapis.
<b>Towels/Sheets* (serviettes/draps)</b>	Pour la plupart des serviettes et du linge de maison.
<b>Cottons* (cotons)</b>	Pour les cotons et la plupart du linge de maison. <b>Remarque</b> : Les modèles conformes à la norme <b>ENERGY STAR<sup>MD</sup></b> sont testés sur les articles en <b>coton</b> en utilisant les réglages par défaut.
<b>Mixed Loads (brassées mixtes)*</b>	Pour les brassées contenant des articles en coton et en polyester/coton.
<b>Jeans*</b>	Pour les jeans.
<b>Casuals/EasyCare (tout-aller/entretien facile)</b>	Pour les articles sans plis, à pressage permanent et délicats, ainsi que les tricots.
<b>Active Wear (vêtements de sport)</b>	Pour les vêtements de sport et d'entraînement.
<b>Delicates (tissus délicats)</b>	Pour les articles délicats, les tissus à entretien spécial et les tricots.
<b>Steam Refresh (rafraîchissement à la vapeur)</b>	Pour les vêtements secs légèrement froissés. Permet de réduire significativement les plis. <b>REMARQUE</b> : Pour un article unique en tissu extrêmement léger, ajoutez un article supplémentaire lorsque vous utilisez le programme <b>Steam Refresh</b> (rafraîchissement à la vapeur) afin d'obtenir de meilleurs résultats.
<b>Steam Dewrinkle (défroissage à la vapeur)</b>	Pour une utilisation avec de plus grosses brassées que l'option de <b>rafraîchissement à la vapeur</b> . Idéal pour les brassées laissées dans la sècheuse pendant une longue période.
<b>STEAMselect (sélection vapeur)</b>	Le bouton <b>STEAMselect</b> (sélection vapeur) s'utilise en combinaison avec les options <b>Steam Refresh</b> (rafraîchissement à la vapeur) et <b>Steam Dewrinkle</b> (défroissage à la vapeur). À mesure que vous appuyez sur le bouton, cette option détermine le nombre d'articles dans la sècheuse et ajuste les durées de vapeur et de refroidissement en conséquence.

**Remarques sur les programmes à la vapeur (☹ et ☹) :**

- **Important** : le réglage de température doit être placé à **HIGH (élevé)** et l'option d'utilisation de l'eau doit être en fonction avant d'utiliser les programmes à la vapeur.
- L'option **Extended Tumble** (culbutage prolongé) se mettra en marche.
- Après le programme à la vapeur, l'appareil émettra un signal sonore (si le **signal sonore variable** est activé) et l'afficheur indiquera « 00 ».
- N'utilisez pas de programme à la vapeur avec des articles en laine, en cuir, en soie, de la lingerie, des produits en mousse et des couvertures électriques.
- N'utilisez pas de programme à la vapeur sur de nouveaux vêtements n'ayant jamais été lavés.
- Les programmes à la vapeur ne sont pas conçus pour être utilisés avec des serviettes.

**Sanitize (désinfection)** Cette option détruit 99,9 % de certaines bactéries, dont : Staphylococcus aureus, Pseudomonas aeruginosa et Klebsiella pneumoniae. Le processus de destruction des bactéries se produit lorsqu'une chaleur élevée est utilisée pendant une partie du programme de séchage.

**Remarque** : N'utilisez pas ce programme pour les tissus délicats.

\*Programmes disponibles avec l'option **Sanitize** (désinfection).

## E Réglages

Vous pouvez attribuer des réglages individuels allant de minimum (le plus bas de la colonne) à maximum (le plus haut de la colonne) pour le **séchage minuté (Time)**, le niveau de séchage (**Level**) et la température (**Temp**). En général, plus la fonction apparaît haut dans la colonne, plus elle est énergivore.

**Time (durée)** : une sélection utilisée uniquement pour les programmes minutés.

Chaque « réglage » vous permet de sélectionner une durée plus basse (1 toucher) ou plus élevée (2 touchers) jusqu'à l'obtention d'une durée de séchage minimale de 10 minutes à une durée maximale de 99 minutes (10, 20, 30, 40, ... 80, 90, 99, 10 ...)

**Dryness Level (niveau de séchage)** : une sélection utilisée uniquement pour les programmes avec capteur. Les programmes minutés fonctionnent pendant le temps sélectionné.

<b>Extra Dry (très sec)</b>	S'utilise avec des tissus ou des articles très robustes qui doivent être très secs, comme les serviettes.
<b>More Dry (plus sec)</b>	S'utilise avec les tissus très robustes ou de type mélangé.
<b>Dry (sec)</b>	Pour un niveau de séchage normal convenant à la plupart des brassées. Il s'agit du programme conseillé pour les économies d'énergie.
<b>Less Dry (moins sec)</b>	S'utilise avec les tissus plus légers.
<b>Damp (humide)</b>	Pour laisser le linge partiellement humide.

## E Température

<b>High (élevé)</b>	Pour les cotons réguliers à lourds. <b>REMARQUE :</b> Les options de défroissage à la vapeur et de rafraîchissement à la vapeur nécessitent un réglage de température élevé.
<b>Medium (moyen)</b>	Pour les tissus synthétiques, les mélanges, les tissus délicats et les articles étiquetés pour le pressage permanent.
<b>Low (bas)</b>	Pour les articles délicats, synthétiques et étiquetés séchage par culbutage à basse température.
<b>Extra Low (très bas)</b>	Pour les tissus délicats, les tissus synthétiques et les articles étiquetés pour le séchage par culbutage à basse température.
<b>No Heat (sans chaleur)</b>	Pour le duvetage des articles sans chaleur. Ne peut être utilisé qu'avec les programmes de séchage minuté.

## F Options

### Delay Dry (séchage différé)

À mesure que vous appuyez sur le bouton **Delay Dry** (séchage différé), le séchage différé se règle de 1 à 9 heures, puis de retour à nul (0). Après avoir sélectionné la durée différée, appuyez sur **Start** (départ) et le décompte du séchage différé jusqu'au départ du programme se mettra en marche.

Si vous appuyez sur le bouton **Delay Dry** (séchage différé) pendant 3 secondes, cela annule ou met fin au programme différé (peu importe la durée différée).

### Extended Tumble (culbutage prolongé)

Utilisez cette option pour minimiser les plis du linge. Elle offre 1 heure de culbutage sans chaleur une fois le linge sec. Si vous utilisez le **signal sonore** de programme et que vous sélectionnez l'option **Extended Tumble** (culbutage prolongé), un signal sonore retentira à la fin du séchage et toutes les 5 minutes lors du programme de **culbutage prolongé**. Cela vous rappellera qu'il est temps de sortir le linge.

### Damp Alert (alerte d'humidité)

Avec cette option, la sècheuse émet un bip lorsque le séchage du linge atteint un certain niveau d'humidité. Retirez les objets que vous souhaitez suspendre pour les faire sécher. L'**alerte d'humidité** retentit uniquement lorsque cette option est sélectionnée (et le programme de séchage reste en marche). Si vous retirez les vêtements et que vous les suspendez pendant qu'ils sont encore humides, vous n'aurez pas à repasser certains d'entre eux. Le voyant adjacent au bouton s'allume lorsque l'**alerte d'humidité** est activée.

### Rack Dry (grille de séchage)

L'option **Rack Dry** (grille de séchage) fonctionne uniquement avec les programmes minutés (**Timed Dry** [séchage minuté] et **Quick Fluff** [duvetage rapide]). Le voyant s'éteint lorsque vous tournez le bouton vis-à-vis d'un programme non minuté.

## G Réglages du programme personnalisé My Cycle

À mesure que vous tournez le bouton de sélection de programme, les réglages des options **Time** (durée de séchage), **Level** (niveau de séchage) et **Temp** (température) se modifient en réglages automatiques par défaut. Si vous souhaitez utiliser un réglage différent, appuyez sur la (les) touche(s) approprié(s). Ensuite, appuyez sur le bouton **My Cycle Settings** (mes réglages) et maintenez-le enfoncé pendant 3 secondes. Le voyant du bouton s'allumera et la sècheuse sauvegardera ces réglages dans le menu de sélection de ce bouton de commande. À l'avenir, lorsque vous placerez le bouton de sélection vis-à-vis ce programme, vos réglages s'activeront automatiquement.

Pour temporairement retourner aux réglages par défaut (pour une brassée), appuyez sur le bouton **My Cycle Settings** (mes réglages) pendant 1/2 seconde. Le voyant du bouton s'éteindra et les fonctions redeviendront celles par défaut. Pour retrouver les réglages par défaut de manière permanente, maintenez de nouveau le bouton **My Cycle Settings** (mes réglages) enfoncé pendant 3 secondes afin que les réglages par défaut redeviennent vos préférences (le voyant du bouton s'allumera de nouveau). **REMARQUE :** Le **volume** du signal sonore ne peut être réglé avec la fonction My Cycle Settings (mes réglages).

### Volume

Utilisez le bouton **Volume** pour modifier le niveau sonore du signal émis à la fin des programmes et par les touches de commande. Appuyez sur le bouton jusqu'à ce que vous atteignez le volume désiré (faible, moyen, élevé) ou éteint. Les vêtements doivent être retirés de la sècheuse lorsque le signal sonore de fin de programme se fait entendre afin d'éviter la formation de plis.

#### REMARQUE :

- Retirez les vêtements de la sècheuse dès que vous entendez le signal sonore. Placez les vêtements sur des cintres de manière à éviter la formation de plis.
- Assurez-vous d'ajuster correctement le niveau sonore du signal de fin de programme à l'aide de la fonction **Volume** lorsque vous faites sécher des articles en polyester, en tricots et à repassage permanent puisque ces articles doivent être sortis de la sècheuse rapidement pour éviter la formation de plis.

### Drum Light (lumière du tambour)

La lumière du tambour s'active lorsque vous appuyez sur le bouton **Drum Light** (lumière du tambour) ou que vous ouvrez la porte. La cuve restera éclairée jusqu'à ce que vous fermiez la porte ou que vous appuyiez sur le bouton **Drum Light** (lumière du tambour) ou **Power** (mise en marche).

### Verrouillage des commandes

Vous pouvez verrouiller les commandes pour empêcher que d'autres sélections de fonctions ou de programmes soient faites. Lorsque cette option est sélectionnée, les enfants ne peuvent mettre en marche accidentellement la sècheuse en touchant les boutons.

**Pour verrouiller les commandes de la sècheuse**, appuyez sur la touche **Lock Controls** (verrouillage des commandes) et maintenez-la enfoncée pendant 3 secondes. L'icône de verrouillage des commandes s'allumera une fois les commandes verrouillées.

**Pour déverrouiller les commandes de la sècheuse**, appuyez sur la touche **Lock Controls** (verrouillage des commandes) et maintenez-la enfoncée pendant 3 secondes.

**REMARQUE :** Le bouton **Power** (mise en marche) peut toujours être utilisé lorsque la sècheuse est verrouillée.

## H eDry (séchage énergétique)

Disponible pour les programmes **Bulky Items** (articles volumineux), **Towels/Sheets** (serviettes/draps), **Cottons** (cotons), **Normal/Mixed Loads** (brassées normales/mixtes), **Jeans, Casuals/Permanent Press** (tout-aller/pressage permanent), **Active Wear** (vêtements de sport) et **Delicates** (tissus délicats). Lorsque vous appuyez sur le bouton **eDry** (séchage énergétique), le réglage des programmes se modifie afin de réduire la consommation d'énergie totale du programme sélectionné.

**REMARQUE :** La durée des programmes est modifiée lorsque la fonction **eDry** (séchage énergétique) est sélectionnée. L'option **eDry** (séchage énergétique) sera activée (on l'ajoute) par défaut en sélectionnant le programme **Cottons** (cotons). Pour une durée de séchage optimale, désactivez l'option **eDry** (séchage énergétique). **REMARQUE :** Les économies d'énergie varieront selon les charges et les cycles.

## À propos des caractéristiques de la sècheuse

### Sensor Dry (séchage par capteur)

Cette fonction s'active avec tous les programmes, à l'exception des programmes minutés (**Timed Dry** [séchage minuté] et **Quick Fluff** [duvetage rapide]) et des programmes à la vapeur (**Steam Refresh** [rafraîchissement à la vapeur] et **Steam Dewrinkle** [défroissage à la vapeur]).

Le **séchage par capteur** fournit des résultats de séchage plus précis que sur des machines standard, offrant des temps de séchage plus courts et un meilleur entretien du linge. Lors du culbutage

du linge, celui-ci entre en contact avec un capteur d'humidité. Le capteur arrête le programme de chauffage dès que le linge a atteint le niveau de séchage sélectionné.

Cette sècheuse ajuste le temps de séchage estimé initial des programmes de séchage par capteur à mesure qu'elle « apprend » son type d'installation et son profil d'utilisation. Veuillez laisser plusieurs semaines à la sècheuse pour qu'elle s'adapte à « vous ».

### Time Dry (durée de séchage)

Cette fonction est activée dans les programmes **Timed Dry** (séchage minuté) et **Air Fluff** (duvetage à

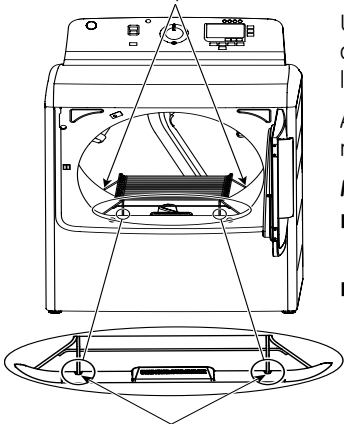
l'air). La durée de séchage (10, 20, 30, 40, 80, 90, 99) est réglée en appuyant sur la touche **Time** (durée).

### Steam Cycle (programme à la vapeur)

Cette fonction s'active avec les programmes **Steam Refresh** (rafraîchissement à la vapeur) et **Steam Dewrinkle** (défroissage à la vapeur).

Utilisez le bouton **STEAMselect** (sélection vapeur) pour indiquer le nombre d'articles.

Deux pattes arrière sur le rebord de la paroi arrière



Fixez les deux pattes droites avant intérieures dans les ouvertures ovales situées de chaque côté de la poignée du filtre à charpie

### Grille de séchage (certains modèles)

Utilisez une grille de séchage pour sécher les articles délicats, par exemple, les chandails lavables.

Accrochez la grille au-dessus du filtre à charpie de manière à ce qu'elle s'étende dans le tambour.

#### REMARQUE :

- La grille de séchage doit être utilisée avec le **programme minuté**.
- N'utilisez pas cette grille de séchage lorsque d'autres vêtements se trouvent dans la sècheuse.

#### Utilisation de la grille de séchage :

- 1 Placez la grille de séchage dans le tambour de la sècheuse avec le côté à deux pattes vers l'arrière et le côté à quatre pattes vers l'avant.
- 2 Placez les deux pattes arrière sur le rebord de la paroi arrière.
- 3 Fixez les deux pattes droites avant intérieures dans les ouvertures ovales situées de chaque côté de la poignée du filtre à charpie.

**REMARQUE :** Faites tourner le tambour de la sècheuse à la main dans le sens horaire pour vous assurer que les déflecteurs passent sans accrocher la grille.

### Tambour en acier inoxydable

L'acier inoxydable utilisé pour la fabrication du tambour de la sècheuse vous offre la meilleure fiabilité possible dans une sècheuse GE. Si le tambour de la sècheuse venait à être marqué ou

rayé en cours d'usage normal, il ne rouillerait pas. Ces dommages superficiels n'affecteront pas sa durabilité ni son fonctionnement.

### Drum Light (lumière de tambour)

Le tambour est muni d'une lumière à DEL. Cette dernière doit être remplacée par un technicien qualifié.

Respectez toujours l'étiquette d'entretien du fabricant lors de la lessive.



## Astuces pour le tri et le chargement

De manière générale, lorsque les vêtements ont été triés correctement pour la laveuse, ils sont triés correctement pour la sècheuse.

N'ajoutez pas de feuilles d'assouplissant à la brassée de linge une fois qu'elle s'est réchauffée. Cela pourrait tacher les tissus. Les feuilles d'assouplissant Bounce® ont été approuvées pour une utilisation avec toutes les sècheuses GE lorsqu'elles sont utilisées conformément aux modes d'emploi du fabricant.

**Évitez de surcharger la sècheuse.** Cela gaspille de l'énergie et crée des plis.

**Ne séchez pas les articles suivants :** articles en fibre de verre, laines, articles recouverts de caoutchouc, plastiques, objets avec bords en plastique et articles rembourrés.



## Étiquettes d'entretien du linge

Vous trouverez ci-dessous les « symboles » des étiquettes d'entretien de votre linge.

### ÉTIQUETTES DE LAVAGE

**Cycle de lavage à la machine**

Normal	Tissus à pressage permanent/ironsables	Doux/tissus délicats	Laver à la main	Ne pas laver	Ne pas tordre

**Température de l'eau**

Chaud (120 °F/50 °C)	Tiède (105 °F/40 °C)	Froide (85 °F/30 °C)

### AGENT DE BLANCHIMENT

**Symboles pour agent de blanchiment**

Tout type d'agent de blanchiment (si nécessaire)	Agent de blanchiment non chloré seulement (si nécessaire)	Ne pas utiliser d'agent de blanchiment

### ÉTIQUETTES DE SÉCHAGE

**Séchage par culbutage**

Séchage	Normal	Tissus à pressage permanent/ironsables	Doux/tissus délicats	Ne pas sécher par culbutage	Ne pas sécher (utilisé avec « Ne pas laver »)

**Réglage de température**

Élevé	Moyen	Bas	Sans chaleur/air

**Instructions spéciales**

Sécher sur la corde/suspendre pour sécher	Sécher par égouttage	Sécher à plat	À l'ombre



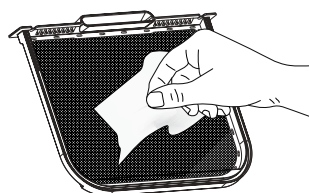
## Entretien et nettoyage de la sècheuse

**Extérieur de la sècheuse :** Essayez ou époussetez tout déversement ou produit de lavage avec un chiffon humide. Le tableau de commande de la sècheuse peut être endommagé par certains détergents et produits détachants. Utilisez ces produits loin de l'appareil. Le tissu peut ensuite être lavé et séché normalement. Les dommages causés par ces produits ne sont pas couverts par votre garantie.

**Filtre à charpie :** Nettoyez le filtre à charpie avant chaque utilisation. Retirez-le en le tirant vers le haut. Passez vos doigts à travers le filtre. Il se peut que des matières cireuses provenant des feuilles d'assouplissant pour sècheuse s'y soient accumulées.

Pour les éliminer, lavez le filtre à charpie dans de l'eau chaude savonneuse. Séchez-le bien et remettez-le en place. Ne faites jamais fonctionner la sècheuse sans son filtre à charpie.

Passez l'aspirateur dans la zone du filtre à charpie de la sècheuse si vous remarquez une diminution de la performance de la sècheuse.



**Acier inoxydable :** Pour nettoyer les surfaces en acier inoxydable, utilisez un chiffon humide et un détergent doux non abrasif convenant aux surfaces en acier inoxydable. Retirez les résidus de produit nettoyant, puis séchez-les avec un chiffon propre.

**Intérieur de la sècheuse et conduit :** Le nettoyage de l'intérieur de la sècheuse et le conduit d'évacuation doivent être généralement confiés une fois par année à un technicien qualifié.

**Conduit d'évacuation :** Inspectez et nettoyez le conduit d'évacuation au moins une fois par année afin d'éviter qu'il se bouche. La durée de séchage peut être augmentée lorsque l'évacuation est bouchée.

**Pour nettoyer le conduit, veuillez suivre les étapes suivantes :**

- 1 Coupez l'alimentation électrique en débranchant l'appareil de la prise murale.
- 2 Débranchez le conduit de la sècheuse.
- 3 Passez l'aspirateur dans le conduit, puis raccordez le conduit.

**Hotte d'évacuation :** Vérifiez de l'extérieur que les battants de la hotte se déplacent sans difficulté au cours de l'utilisation. Vérifiez qu'il n'y a pas d'animaux ou d'insectes qui ont fait leur nid dans le conduit ou la hotte.

## **CleanSpeak<sup>MC</sup>** **(consulter votre fournisseur local d'électricité pour confirmer la compatibilité)**

Cette sècheuse peut communiquer avec une laveuse compatible (l'une des laveuses décrites dans le manuel d'utilisation de la technologie **CleanSpeak<sup>MC</sup>**) via une **connexion WiFi**.

À la fin du programme de lavage, la laveuse envoie un signal vers la sècheuse pour lui indiquer le programme de séchage approprié à utiliser.

Lorsque la sècheuse entre en mode veille, (« **End** » [fin]) n'est plus affiché ou la porte a été ouverte), « **CYCLE** » (programme) défile sur l'afficheur du temps de programmation, le voyant à DEL de la touche de réglage du programme sélectionné s'allume et (s'il est différent), le voyant d'un deuxième programme recommandé clignotera. Si « **CYCLE** » n'est plus affiché, appuyez sur Power (mise en marche) pour le réactiver ainsi que les voyants à DEL. Si vous tournez le bouton des programmes de séchage, le voyant non clignotant se déplacera en conséquence. Appuyer sur la touche Start (mise en marche) de la sècheuse réglera la sècheuse sur le programme sélectionné à l'aide du bouton des programmes (voyant à DEL non clignotant) et arrêtera le programme recommandé (voyant clignotant) si un programme différent est démarré.

## **WiFi Connect (pour les clients aux États-Unis, NON OFFERT AU CANADA)**

Votre sècheuse prend en charge la fonction **GE WiFi Connect**. Cette sècheuse est équipée d'une carte de communication WiFi qui lui permet de communiquer avec votre téléphone intelligent afin de vérifier son fonctionnement à distance, de la commander et de recevoir des notifications.

Veillez visiter le [www.GEAppliances.com/connect](http://www.GEAppliances.com/connect) pour en apprendre plus sur les fonctionnalités des électroménagers connectés et pour connaître les applications pour électroménagers qui sont pris en charge par votre téléphone intelligent.

Connectivité WiFi : Pour de l'assistance concernant votre appareil ou la connectivité réseau **ConnectPlus**, veuillez appeler au **800 GE-CARES**.

*Cet appareil est conforme à la partie 15 des règlements de la FCC. Le fonctionnement de l'appareil est soumis aux deux conditions suivantes :*

- 1. Cet appareil ne doit pas causer d'interférences nuisibles, et*
- 2. Cet appareil doit accepter toute interférence reçue, y compris les interférences risquant d'engendrer un fonctionnement indésirable.*

*Cet appareil a été testé et il a été démontré qu'il respectait les limites imposées aux appareils numériques de classe B en vertu de la partie 15 des règlements de la FCC. Ces limites ont été mises en place afin d'assurer une protection raisonnable contre les interférences en milieu résidentiel. Cet appareil génère, utilise et émet des fréquences radio. S'il n'est pas installé et utilisé conformément aux instructions, il peut générer des interférences perturbant les radiocommunications.*

*Cependant, rien ne garantit que des interférences ne surviendront pas dans une installation particulière. Si cet appareil provoque des interférences qui perturbent la réception des ondes radio ou de télévision (cela peut être vérifié en arrêtant l'appareil, puis en le remettant en marche), l'utilisateur devrait essayer une ou plusieurs des méthodes suivantes pour éliminer les interférences :*

- Réorientez ou changez l'emplacement de l'antenne réceptrice.*
- Augmentez la distance entre l'appareil et le récepteur.*
- Branchez l'appareil dans une prise de courant ou à un circuit différent du récepteur.*
- Demandez de l'aide du détaillant de votre appareil ou d'un technicien en radio/télévision expérimenté.*

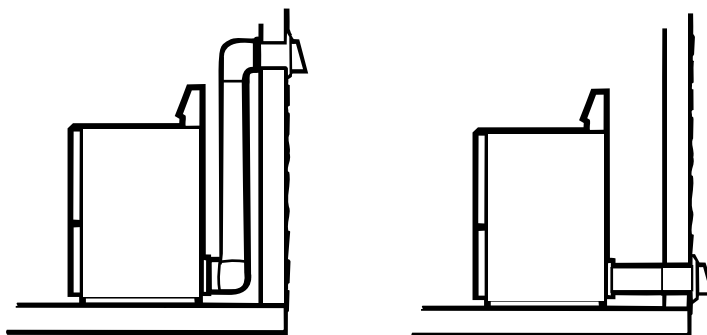
**Étiquetage :** *Des changements ou des modifications apportés à cet appareil qui ne sont pas expressément approuvés par le fabricant peuvent annuler votre droit à l'utiliser.*



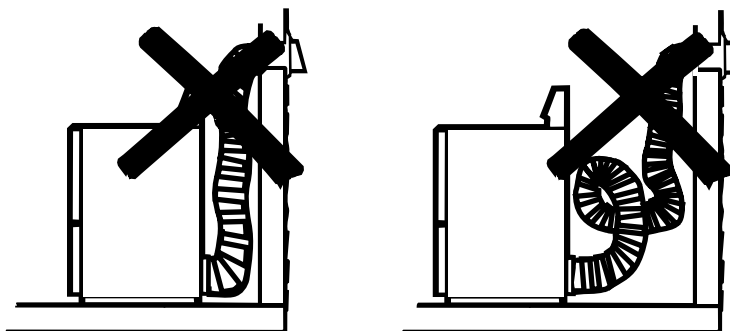
Pour optimiser le séchage, la sècheuse doit s'évacuer correctement. **La sècheuse consommera davantage d'énergie et fonctionnera plus longtemps si elle n'est pas ventilée selon les spécifications ci-dessous. Suivez attentivement les instructions détaillées sur l'évacuation sous « Instructions d'installation ».**

- Utilisez exclusivement un conduit métallique rigide d'un diamètre de 4 po (10,2 cm) à l'intérieur de l'armoire de la sècheuse. Utilisez uniquement un conduit métallique rigide ou flexible de 4 po (10,2 cm) homologué UL pour l'évacuation vers l'extérieur. Réduisez les sections de conduit flexibles pour accroître l'efficacité de la sècheuse.
- N'utilisez pas de conduit en plastique ou en d'autres matériaux combustibles.
- Utilisez le conduit le plus court possible.
- N'écrasez pas et ne pliez pas le conduit.
- Évitez de faire reposer le conduit sur les objets pointus.
- **L'évacuation doit être conforme aux codes du bâtiment locaux.**

Évacuation adéquate



Évacuation inadéquate



# À propos de l'inversion de la porte

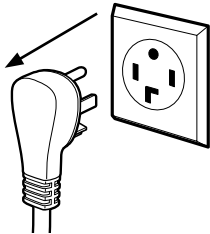
## Inversion de la porte

### Outils nécessaires :

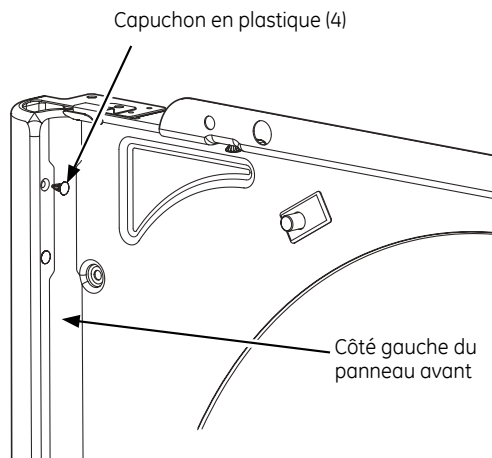
- Tournevis Phillips n°2 standard
- Couteau à mastic avec embout recouvert de ruban
- Petit tournevis plat

### Avant de commencer

Débranchez la sécheuse de la prise murale.

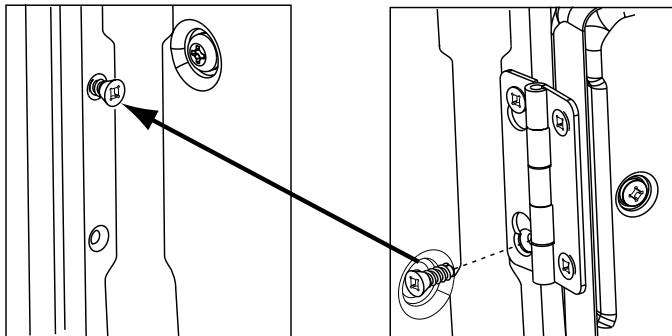


- 1** Ouvrez la porte à environ 170 degrés. À l'aide d'un couteau à mastic, retirez les 4 capuchons de plastique situés le long du côté gauche du panneau avant et mettez-les de côté.

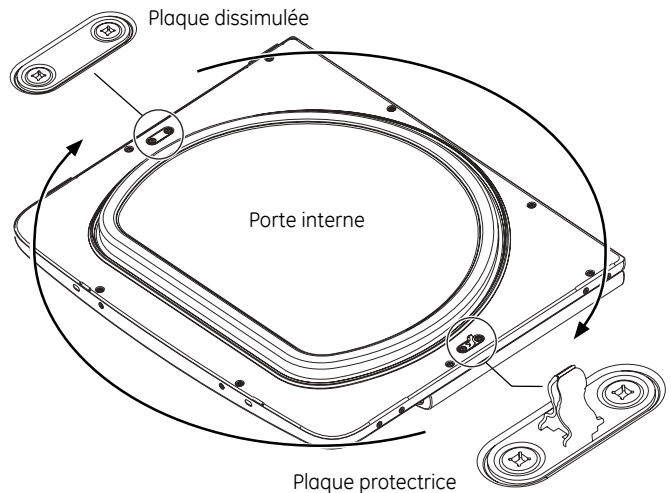


- 2** Retirez les vis inférieures de chaque charnière (côté droit) et insérez-les partiellement dans les trous de charnière supérieurs gauches.

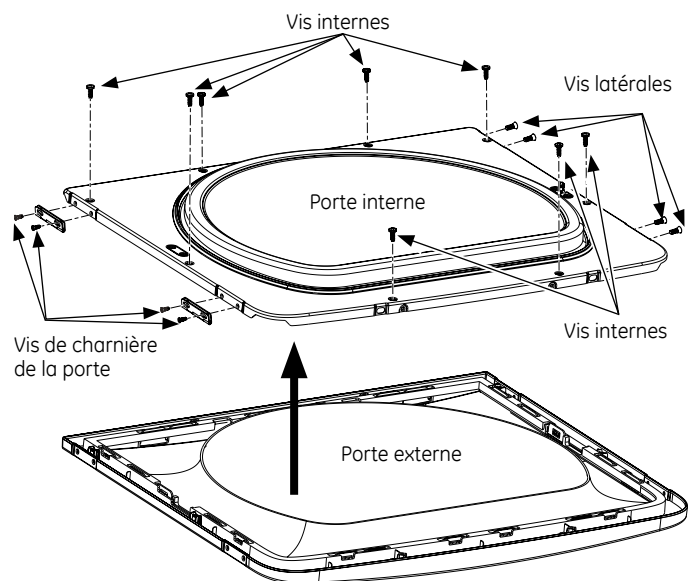
**REMARQUE :** Les 4 vis de charnière du panneau avant seront maintenant toutes dans les trous de charnière supérieurs – 2 du côté gauche et 2 du côté droit.



- 3** Dévissez les 2 vis de charnière du côté inférieur droit. Retirez la porte et placez-la sur une surface plane et protégée afin d'éviter de l'endommager. Retirez la plaque dissimulée et la plaque protectrice, puis réinstallez-les du côté opposé.



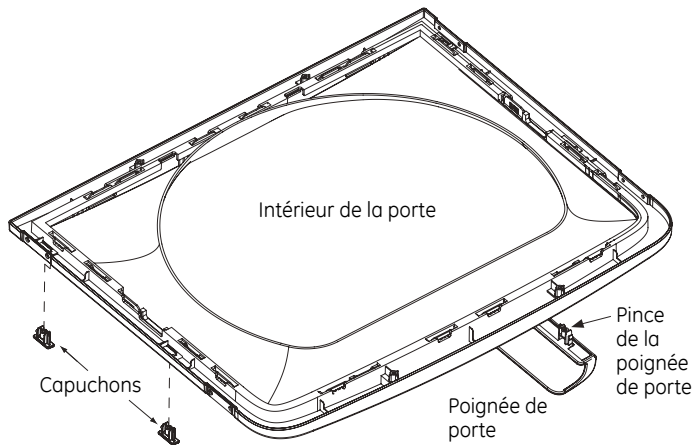
- 4** Retirez les 4 vis de charnière de la porte, les 4 vis latérales et les 8 vis intérieures. Soulevez la porte interne vers le haut à l'aide d'un tournevis plat.



**5** Retirez et interchangez les 2 capuchons et la poignée de la porte externe :

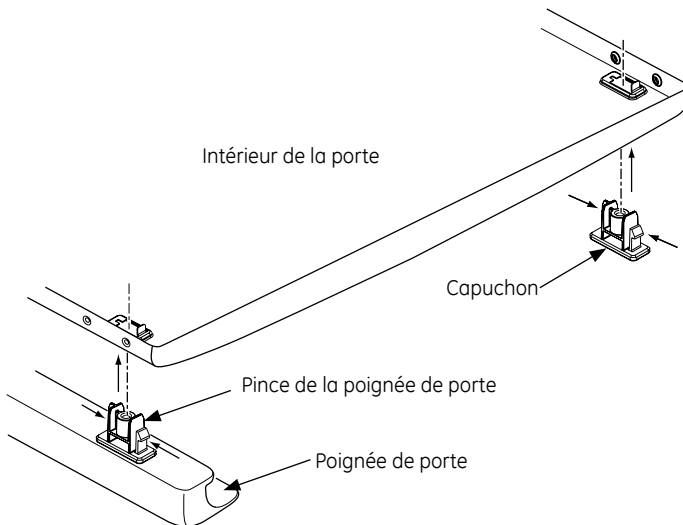
**A.** Pressez sur les languettes situées à l'intérieur des pinces de la poignée de porte. Poussez les pinces à travers la porte externe.

**B.** Pressez sur les languettes à l'intérieur des capuchons. Poussez les capuchons à travers la porte externe.

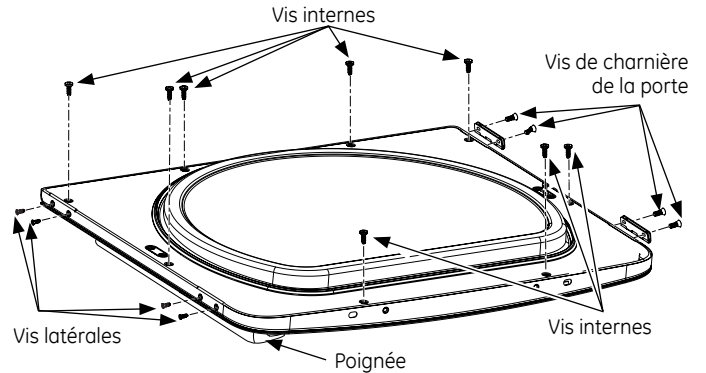


**C.** Poussez les pinces de la poignée de porte dans les ouvertures du côté opposé de la porte externe en vous assurant de retourner la poignée afin qu'elle soit recourbée vers l'intérieur.

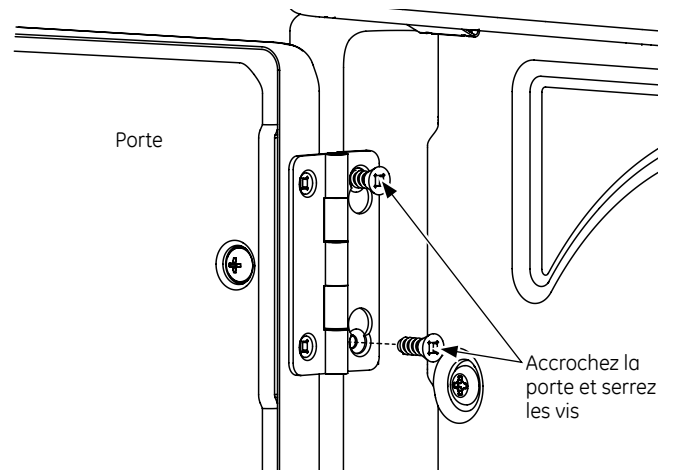
**D.** Poussez les capuchons dans les ouvertures de la porte externe où la poignée a été retirée.



**6** Une fois les capuchons et la poignée de porte en place, réinstallez la porte interne sur la porte externe à l'aide des vis que vous avez retirées à l'étape 4. Assurez-vous de fixer les charnières du côté opposé de la poignée.



**7** Fixez la porte réassemblée sur les 2 vis de charnière supérieures gauches que vous avez installées à l'étape 2. Placez les vis de charnière dévissées à l'étape 3 dans les trous inférieurs gauches et vissez fermement les 4 vis.

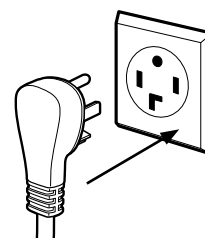


**8** Installez les 4 capuchons en plastique retirés à l'étape 1 dans les quatre trous à droite du panneau.

**REMARQUE :** Pour retourner à l'assemblage original de la porte, suivez ces instructions en inversant la gauche et la droite.

### Lorsque vous avez terminé

Rebranchez la sècheuse dans la prise électrique.



## Avant de contacter un service de dépannage...



Conseils de dépannage  
Économisez du temps et de l'argent! Vérifiez les tableaux des pages qui suivent, ou consultez [www.electromenagersGE.ca](http://www.electromenagersGE.ca).  
Vous pourriez vous éviter un appel.

Problème	Causes possibles	Solutions
La sècheuse ne démarre pas	La sècheuse est débranchée	<ul style="list-style-type: none"> <li>Vérifiez que la fiche de la sècheuse est bien insérée dans la prise murale.</li> </ul>
	Le fusible de la maison est grillé/ le disjoncteur s'est déclenché	<ul style="list-style-type: none"> <li>Vérifiez la boîte de fusibles ou de disjoncteurs de la maison et remplacez le fusible ou réenclenchez le disjoncteur. <b>REMARQUE</b> : La plupart des sècheuses électriques sont équipées de deux fusibles/disjoncteurs.</li> </ul>
	Le fusible de la sècheuse est grillé	<ul style="list-style-type: none"> <li>Le fusible simple (sècheuse à gaz) ou l'un des deux fusibles (sècheuse électrique) situé à l'arrière du dossier est grillé, car la protection de circuit de la maison n'a pas fonctionné. Demandez à un technicien qualifié de vérifier le courant de la prise.</li> </ul>
La sècheuse ne chauffe pas	Le fusible de la maison est grillé/ le disjoncteur s'est déclenché; la sècheuse tourne, mais ne chauffe pas	<ul style="list-style-type: none"> <li>Vérifiez la boîte de fusibles/de disjoncteurs de la résidence et remplacez les fusibles ou réenclenchez les disjoncteurs. Votre sècheuse peut tourner même lorsqu'un seul fusible est grillé ou qu'un seul disjoncteur est déclenché.</li> </ul>
	L'alimentation en gaz est coupée	<ul style="list-style-type: none"> <li>Vérifiez que le robinet d'arrêt du gaz de la sècheuse et que le robinet d'arrêt principal sont complètement ouverts.</li> </ul>
	Aucune température de chaleur sélectionnée	<ul style="list-style-type: none"> <li>Sélectionnez un autre réglage de chaleur.</li> </ul>
La sècheuse vibre ou fait du bruit	Ceci est normal. La sècheuse n'est peut-être pas de niveau	<ul style="list-style-type: none"> <li>Déplacez la sècheuse sur une surface plane ou réglez les pieds jusqu'à ce qu'ils soient de niveau.</li> </ul>
Taches de graisse sur les vêtements	Utilisation inadéquate d'un assouplissant	<ul style="list-style-type: none"> <li>Suivez le mode d'emploi sur l'emballage de l'assouplissant.</li> </ul>
	Lavage d'articles sales avec des articles propres	<ul style="list-style-type: none"> <li>Utilisez votre sècheuse pour sécher des vêtements propres seulement. Les articles sales peuvent tacher les articles propres et la sècheuse.</li> </ul>
	Les vêtements n'ont pas été nettoyés en profondeur	<ul style="list-style-type: none"> <li>Parfois, les taches qui semblent invisibles lorsque les vêtements sont humides apparaissent après le séchage. Utilisez des techniques de lavage adéquates avant de procéder au séchage.</li> </ul>
Charpie sur les vêtements	Le filtre à charpie est plein	<ul style="list-style-type: none"> <li>Nettoyez le filtre à charpie avant chaque séchage.</li> </ul>
	Triage inadéquat	<ul style="list-style-type: none"> <li>Triez les vêtements qui produisent beaucoup de charpie (p. ex., la chenille) et les vêtements qui attirent la charpie (p. ex., le velours côtelé).</li> </ul>
	L'électricité statique attire la charpie	<ul style="list-style-type: none"> <li>Reportez-vous aux suggestions dans la section <b>présence d'électricité statique</b>.</li> </ul>
	Surcharge	<ul style="list-style-type: none"> <li>Divisez les brassées volumineuses en de plus petites.</li> </ul>
	Papier, mouchoirs, etc. laissés dans les poches	<ul style="list-style-type: none"> <li>Videz toutes les poches avant de laver les vêtements.</li> </ul>
Présence d'électricité statique	Aucun assouplissant n'a été utilisé	<ul style="list-style-type: none"> <li>Essayez d'utiliser un assouplissant.</li> <li>Les feuilles d'assouplissant Bounce® ont été approuvées pour une utilisation avec toutes les sècheuses GE. Utilisez-les conformément au mode d'emploi du fabricant.</li> </ul>
	Séchage trop long	<ul style="list-style-type: none"> <li>Ajoutez un assouplissant.</li> <li>Réglez les paramètres à <b>Less Dry</b> (moins sec) ou <b>Damp</b> (humide).</li> </ul>
	Les tissus synthétiques, le pressage permanent et les vêtements en polyester/coton peuvent créer de l'électricité statique	<ul style="list-style-type: none"> <li>Essayez un assouplissant.</li> </ul>
Durées de séchage inégales	Type de chaleur	<ul style="list-style-type: none"> <li>Les durées automatiques de séchage varient selon le type de chaleur utilisé (électricité, gaz naturel ou GPL), le volume de linge, les types de tissus, l'humidité du linge et l'état des conduits d'évacuation.</li> </ul>
Le niveau de séchage a été sélectionné, mais la brassée est encore humide	La brassée se compose d'un mélange de tissus lourds et légers	<ul style="list-style-type: none"> <li>Lorsque vous combinez des tissus lourds et légers dans la même brassée, sélectionnez <b>More Dry</b> (plus sec) si vous utilisez un programme de séchage par capteur.</li> </ul>
	Le système d'évacuation est obstrué	<ul style="list-style-type: none"> <li>Inspectez et nettoyez le système d'évacuation.</li> </ul>



Problème	Causes possibles	Solutions
Les vêtements prennent trop de temps à sécher	Triage inadéquat	<ul style="list-style-type: none"> <li>Séparez les articles lourds des articles légers (de manière générale, une brassée bien triée pour le lavage l'est aussi pour le séchage).</li> </ul>
	Brassées volumineuses de tissus lourds (comme les serviettes de plage)	<ul style="list-style-type: none"> <li>Les grands tissus et les tissus lourds contiennent plus d'humidité et prennent plus longtemps à sécher. Séparez les grands tissus et les tissus lourds en brassées moins volumineuses pour accélérer le séchage.</li> </ul>
	Les commandes du four sont mal réglées	<ul style="list-style-type: none"> <li>Réglez les paramètres de séchage en fonction de la brassée que vous séchez.</li> </ul>
	L'option eDry (séchage énergétique) est activée.	<ul style="list-style-type: none"> <li>Pour obtenir des temps de séchage optimaux, désactivez l'option eDry.</li> <li>Pour une économie d'énergie optimale, activez l'option eDry.</li> </ul>
	Le filtre à charpie est plein	<ul style="list-style-type: none"> <li>Nettoyez le filtre à charpie avant chaque séchage.</li> </ul>
	Conduit inadéquat ou bouché	<ul style="list-style-type: none"> <li>Consultez les instructions d'installation pour vous assurer d'une bonne évacuation.</li> <li>Vérifiez que le conduit est propre, sans pli et n'est pas obstrué.</li> <li>Vérifiez que le registre du mur extérieur fonctionne bien.</li> <li>Lisez les instructions d'installation pour vous assurer que l'évacuation est adéquate.</li> </ul>
	Fusibles grillés ou disjoncteur déclenché	<ul style="list-style-type: none"> <li>Remplacez le fusible ou réenclenchez le disjoncteur. Les sècheuses électriques utilisent deux fusibles/disjoncteurs, alors assurez-vous que tous les deux fonctionnent.</li> </ul>
	Surcharge / combinaison des brassées	<ul style="list-style-type: none"> <li>Ne séchez pas plus d'une brassée à la fois.</li> </ul>
Les vêtements présentent des plis	Brassée trop petite	<ul style="list-style-type: none"> <li>Si vous ne séchez qu'un ou deux articles, ajoutez quelques articles pour assurer un culbutage adéquat.</li> </ul>
	Séchage trop long	<ul style="list-style-type: none"> <li>Sélectionnez un temps de séchage plus court.</li> <li>Retirez les articles pendant qu'ils sont encore un peu humides. Sélectionnez le paramètre <b>Less Dry</b> (plus sec) ou <b>Damp</b> (humide).</li> </ul>
	Articles laissés dans la sècheuse après la fin du programme	<ul style="list-style-type: none"> <li>Sortez le linge à la fin du programme, et pliez-le ou suspendez-le immédiatement.</li> </ul>
Les vêtements rétrécissent	Surcharge	<ul style="list-style-type: none"> <li>Divisez les brassées volumineuses en de plus petites.</li> </ul>
	Il est naturel que certains tissus rétrécissent lorsqu'ils sont lavés. D'autres tissus peuvent être nettoyés sans problème, mais rétrécissent dans la sècheuse	<ul style="list-style-type: none"> <li>Pour éviter le rétrécissement, respectez les étiquettes d'entretien des vêtements.</li> <li>Une fois repassés, certains articles reprennent leur forme après le séchage.</li> <li>Si vous craignez qu'un vêtement en particulier rétrécisse, ne le lavez pas à la machine et ne le séchez pas à la sècheuse.</li> </ul>
De l'eau se retrouve à l'intérieur de la porte et sur le dessus du filtre à charpie lorsque la porte est ouverte après l'utilisation d'un programme à la vapeur	La vapeur se condense sur ces surfaces	<ul style="list-style-type: none"> <li>Cela est normal.</li> </ul>
De petites zones des vêtements sont humides après l'utilisation d'un programme à la vapeur	La vapeur se condense sur le tambour intérieur	<ul style="list-style-type: none"> <li>Si vous utilisez le programme <b>Steam Refresh</b> (rafraîchissement à la vapeur), réduisez manuellement la durée du programme. Si vous utilisez le programme <b>Steam Refresh</b> (rafraîchissement à la vapeur), ajoutez d'autres vêtements dans la brassée.</li> </ul>
Cols et ceintures toujours humides à la fin du programme	Le système de surveillance du niveau de séchage détermine que les vêtements sont secs	<ul style="list-style-type: none"> <li>Sélectionnez <b>Speed Dry</b> (séchage rapide) ou <b>Timed Dry</b> (séchage minuté) pour sécher les cols humides et les ceintures. À l'avenir, lorsque vous séchez une brassée qui comprend des cols et des ceintures, sélectionnez <b>More Dry</b> (plus sec).</li> </ul>
Légère variation de la couleur métallique	Ceci est normal	<ul style="list-style-type: none"> <li>En raison des propriétés métalliques de la peinture utilisée pour ce produit unique, de légères variations de couleur peuvent survenir selon l'angle de vision et les conditions d'éclairage.</li> </ul>

## Avant de contacter un service de dépannage...



Problème	Causes possibles	Solutions
<i>Petite quantité d'eau sur le plancher devant la sècheuse</i>	Brassée inadéquate pour la vapeur programme sélectionné, l'excédent de vapeur se condense à l'intérieur de l'armoire et fuit	<ul style="list-style-type: none"> <li>Si vous utilisez le programme <b>Steam Dewrinkle</b> (défroissage à la vapeur), réduisez manuellement la durée du programme. Si vous utilisez le programme <b>Steam Refresh</b> (rafraîchissement à la vapeur), ajoutez d'autres vêtements à la brassée.</li> </ul>
<i>Eau sur le plancher derrière de la sècheuse</i>	Raccord d'alimentation en eau mal serré au robinet	<ul style="list-style-type: none"> <li>Serrez le raccord.</li> </ul>
	Rondelle en caoutchouc du tuyau manquante au niveau du raccord avec le robinet	<ul style="list-style-type: none"> <li>Installez la rondelle en caoutchouc fournie avec le tuyau.</li> </ul>
<i>L'eau coule de la porte lorsque la porte est ouverte après un cycle de vapeur</i>	La vapeur se condense sur la contre-porte	<ul style="list-style-type: none"> <li>Ceci est normal.</li> </ul>
<i>Impossible de voir la vapeur au début du programme</i>	La vapeur est relâchée à différents moments pendant le programme	<ul style="list-style-type: none"> <li>Ceci est normal.</li> </ul>
<i>Impossible de voir la vapeur à aucun moment durant le programme</i>	La buse de vapeur peut être bouchée par des débris provenant de votre alimentation en eau	<ul style="list-style-type: none"> <li>Téléphonez au <b>1-800-561-3344</b> pour commander une buse de remplacement <b>WE25M71</b> ou pour demander qu'un technicien qualifié la remplace pour vous.</li> </ul>
<i>Les vêtements présentent des plis après le programme à la vapeur</i>	Trop de vêtements	<ul style="list-style-type: none"> <li>Chargez moins de vêtements et augmentez manuellement la durée.</li> </ul>
<i>Les vêtements sont humides après le programme à la vapeur</i>	Filtre à charpie non propre	<ul style="list-style-type: none"> <li>Nettoyez le filtre à charpie.</li> </ul>
	La brassée est composée de vêtements pour bébé/enfant	<ul style="list-style-type: none"> <li>Utilisez le programme <b>Steam Refresh</b> (rafraîchissement à la vapeur).</li> </ul>
<i>Aucun chiffre n'est affiché pendant le programme, seuls les voyants sont allumés</i>	La sècheuse fait un suivi continu de la quantité de l'humidité des vêtements	<ul style="list-style-type: none"> <li>Ceci est normal. Lorsque la sècheuse détecte un faible niveau d'humidité dans la brassée, la sècheuse affiche la durée de séchage restante.</li> </ul>
<i>Le temps restant a diminué</i>	La durée estimée peut changer lorsqu'une brassée plus petite que d'habitude est séchée	<ul style="list-style-type: none"> <li>Ceci est normal.</li> </ul>
<i>Le séchage est en cours, mais le temps restant affiché est 00</i>	L'option de culbutage prolongé/ rafraîchissement à la vapeur a été sélectionnée	<ul style="list-style-type: none"> <li>Ceci est normal. Lorsque l'option <b>Extended Tumble</b> (culbutage prolongé)/ du programme <b>Steam Refresh</b> (rafraîchissement à la vapeur) est activée, la durée restante ne s'affiche pas. L'option de culbutage prolongé dure environ 60 minutes.</li> </ul>
<i>Les vêtements sont toujours humides et la sècheuse s'éteint après une courte période de temps</i>	La porte a été ouverte à la moitié du programme La brassée a été ensuite retirée de la sècheuse et remplacée par une nouvelle brassée sans qu'un nouveau programme ait été sélectionné	<ul style="list-style-type: none"> <li>Un programme de séchage doit être sélectionné de nouveau chaque fois que vous mettez une nouvelle brassée.</li> </ul>
	Petite brassée	<ul style="list-style-type: none"> <li>Lorsque vous séchez 3 articles ou moins, sélectionnez <b>Speed Dry</b> (séchage rapide) ou <b>Timed Dry</b> (séchage minuté).</li> </ul>
	La brassée a été séchée sauf les cols et les ceintures	<ul style="list-style-type: none"> <li>Sélectionnez <b>Speed Dry</b> (séchage rapide) ou <b>Timed Dry</b> (séchage minuté) pour sécher les cols humides et les ceintures. À l'avenir, lorsque vous séchez une brassée qui comprend des cols et des ceintures, sélectionnez <b>More Dry</b> (plus sec).</li> </ul>
	La sècheuse n'est pas de niveau.	<ul style="list-style-type: none"> <li>Déplacez la sècheuse sur une surface plane ou réglez les pieds de mise à niveau jusqu'à ce qu'ils soient de niveau.</li> </ul>
<i>La sècheuse s'éteint</i>	La très petite brassée (par exemple d'un article) n'active pas le séchage par capteur	<ul style="list-style-type: none"> <li>Utilisez l'option de programme <b>Timed Dry</b> (séchage minuté), sélectionnez la durée de séchage désirée.</li> </ul>



## Notes

---



## Garantie de la sècheuse GE.



Tout soutien de garantie fourni par notre réseau de service autorisé. Pour faire la demande d'une réparation en ligne, 24 heures sur 24, visitez le site au [www.electromenagersge.ca](http://www.electromenagersge.ca) ou appelez le **1-800-561-3344**. Veuillez avoir les numéros de série et de modèle de votre appareil à portée de main lorsque vous appelez pour obtenir un service.

Agrafez votre facture ici.  
Une preuve de la date d'achat  
d'origine est requise pour  
bénéficier du service de réparation  
sous garantie.

### Pendant la période de : GE remplacera :

#### Un an

À compter de la date  
d'achat d'origine

**Toute pièce** de la sècheuse défectueuse en raison d'un vice de matériau ou de fabrication. Au cours de cette **garantie limitée d'un an**, GE fournira également, **sans frais**, toute la main-d'œuvre pour le remplacement à domicile de la pièce défectueuse.

### Ce que GE ne couvre pas :

- Toute visite à votre domicile pour vous expliquer le fonctionnement de l'appareil.
- Une installation, une livraison ou un entretien inadéquat.
- Toute défectuosité du produit lorsqu'il a été utilisé de façon abusive ou inadéquate, lorsqu'il a été utilisé à d'autres fins que celles pour laquelle il a été conçu ou s'il a été utilisé à des fins commerciales.
- Le remplacement des fusibles ou le réenclenchement des disjoncteurs de votre domicile.
- Tout dommage au produit attribuable à un accident, un incendie, une inondation ou une catastrophe naturelle.
- Tout dommage accessoire ou indirect, causé par des défaillances possibles de l'appareil.
- Tout dommage causé après la livraison.
- Tout produit auquel il n'est pas possible d'accéder pour effectuer les réparations nécessaires.
- Les défectuosités ou les dommages causés par une utilisation de l'appareil à des températures situées sous le point de congélation.
- Les produits qui ne sont pas défectueux ou brisés, ou qui fonctionnent tel que décrit dans le Manuel de l'utilisateur.

**EXCLUSION DES GARANTIES IMPLICITES : votre seul et unique recours est de faire réparer le produit dans le cadre de cette garantie limitée. Toute garantie implicite, incluant la garantie de qualité marchande ou d'adaptabilité du produit à un usage particulier, est limitée à un an ou à la période la plus courte autorisée par la loi.**

Cette garantie est offerte à l'acheteur initial, ainsi qu'à tout propriétaire subséquent d'un produit acheté au Canada en vue d'une utilisation domestique au Canada. Si le produit se situe dans une zone où aucun réparateur agréé par GE n'est disponible, vous devrez peut-être assumer les frais de déplacement de celui-ci ou apporter le produit à un atelier de réparation agréé par GE.

Dans certaines provinces, il est interdit d'exclure ou de limiter les dommages indirects ou accessoires. Il est alors possible que les limitations ou exclusions ci-dessus ne s'appliquent pas dans votre cas. La présente garantie vous confère des droits juridiques spécifiques. Vous pouvez bénéficier d'autres droits, qui varient d'une province à l'autre. Pour connaître les droits dont vous bénéficiez, communiquez avec le bureau des Relations avec les consommateurs de votre région ou de votre province.

Garant : MC Commercial, Burlington, L7T 3R6

## Service à la clientèle

---



### Site Web des électroménagers GE

[www.electromenagersGE.ca](http://www.electromenagersGE.ca)

Vous avez une question ou besoin d'aide concernant votre appareil? Consultez le site Web des électroménagers GE accessible 24 heures su 24, tous les jours de l'année! Pour un service pratique encore plus rapide, vous pouvez maintenant télécharger des manuels, commander des pièces ou même faire une demande de réparation en ligne.



### Demande de réparation

[www.electromenagersGE.ca](http://www.electromenagersGE.ca)

Pour bénéficier du service de réparation de GE, téléphonez au **1-800-561-3344** pendant les heures normales de bureau.



### Centre de conception universelle

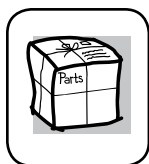
[www.electromenagersGE.ca](http://www.electromenagersGE.ca)

GE soutient la conception universelle : produits, services et environnements à la portée de tous, quels que soient leur âge, taille ou capacités mentales et physiques. Nous avons conscience qu'il est nécessaire d'adapter la conception de nos produits à toute la variété de capacités et d'handicaps physiques et mentaux existants. Pour plus de détails sur les applications de conception universelle de GE, dont la conception de cuisines pour les personnes atteintes d'un handicap, consultez notre site Web dès aujourd'hui.



### Garanties prolongées

Veillez consulter la liste des fournisseurs de votre région pour trouver un fournisseur de garantie prolongée.

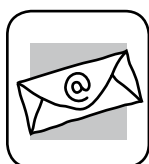


### Pièces et accessoires

[www.electromenagersGE.ca](http://www.electromenagersGE.ca)

Veillez consulter la liste des fournisseurs de votre région pour trouver un distributeur de pièces GE autorisé ou composez le 1-800-661-1616.

Les directives stipulées dans le présent manuel comportent des procédures que n'importe quel utilisateur peut effectuer. Les autres types de réparation doivent généralement être confiés à un technicien qualifié. Faites preuve de prudence, car une réparation ou un entretien mal effectué peut rendre l'utilisation de l'appareil dangereuse.



### Communiquez avec nous

[www.electromenagersGE.ca](http://www.electromenagersGE.ca)

Si vous n'êtes pas satisfait du service après-vente de GE, communiquez avec nous sur notre site Web en fournissant tous les détails et votre numéro de téléphone, ou écrivez à :

Directeur, Relations avec les consommateurs  
MC Commercial Inc.  
1, Factory Lane, bureau 310  
Moncton, N.-B. E1C 9M3



### Enregistrez votre appareil

[www.electromenagersGE.ca](http://www.electromenagersGE.ca)

**Enregistrez votre nouvel appareil en ligne au moment qui vous convient le mieux!** L'enregistrement de votre produit dans les délais prescrits permet une meilleure communication et un service sous garantie plus rapide, le cas échéant.

Vous pouvez également envoyer par courrier la carte d'enregistrement préimprimée qui se trouve dans l'emballage de votre appareil.