

Electric Dryer

PEDESTALS FOR DRYERS (comes with individual installation instructions)

Available models: -SBSD227F
-SBSD137H
-SBSD107H

BEFORE YOU BEGIN:

Read these instructions completely and carefully.

IMPORTANT - Save these instructions for local inspector's use.

IMPORTANT - Observe all governing codes and ordinances.

Note to Installer - Be sure to leave these instructions with the customer.

Note to Customer - Keep these instructions with your Use and Care Book for future reference.

Before the old dryer is removed from service or discarded, remove the dryer door.

Service information and the wiring diagram are located in the control console.

⚠ WARNING!

FOR YOUR SAFETY:

- Use only rigid metal or flexible metal 4-in. diameter ductwork for exhausting to the outdoors. Never use plastic or other combustible, easy-to-puncture ductwork.
- This appliance must be properly grounded and installed as described in these instructions.
- Do not install or store appliance in an area where it will be exposed to water and/or weather.
- Install the dryer where the temperature is above 10° C (50°F) for satisfactory operation of the dryer control system.
- This dryer must be exhausted to the outdoors.
- Inspect the dryer exhaust outlet and straighten the outlet walls if they are bent.
- Do not allow children on or in the appliance. Close supervision of children is necessary when the appliance is used near children.

NOTE: Installation and service of this dryer requires basic mechanical and electrical skills. It is your responsibility to contact a qualified installer to make the electrical connections.

TOOLS YOU WILL NEED



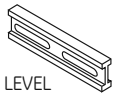
SLIP JOINT PLIERS



FLAT BLADE SCREWDRIVER

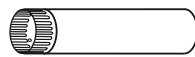


PHILLIPS SCREWDRIVER



LEVEL

MATERIALS YOU WILL NEED



10 cm (4 in.) DIA. METAL DUCT (RECOMMENDED)



10 cm (4 in.) DUCT CLAMPS (2)
OR
10 cm (4 in.) SPRING CLAMPS (2)



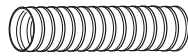
10 cm (4 in.) METAL ELBOW



EXHAUST HOOD



SAFETY GLASSES



10 cm (4 in.) DIA. FLEXIBLE METAL DUCT (IF NEEDED)



DUCT TAPE



GLOVES

- Step 1 Prepare the area and exhaust for installation of new dryer (see section 1).
- Step 2 Check and ensure the existing external exhaust is clean (see section 1) and meets attached installation specifications (see section 3).
- Step 3 Remove the foam shipping pads (see section 1).
- Step 4 Move the dryer to the desired location.
- Step 5 Connect the power supply (see section 2).
- Step 6 Connect the external exhaust (see section 4).
- Step 7 Level your dryer (see section 5).

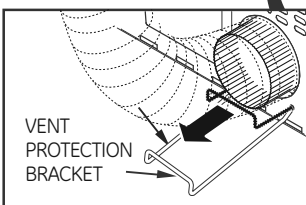
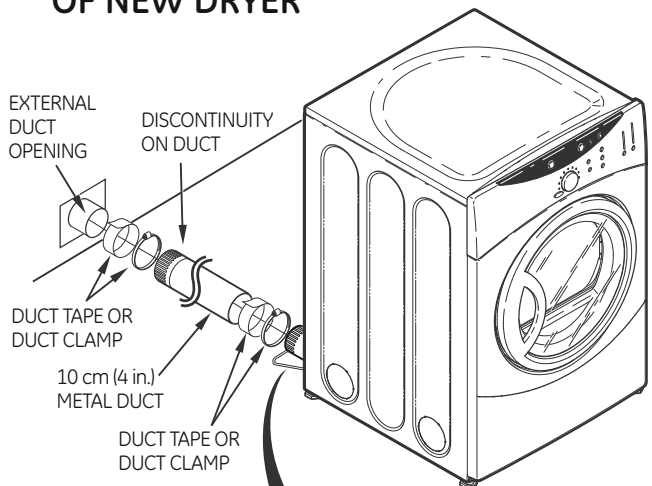
- Step 8 Check the operation of the power supply and venting.
- Step 9 Place the owners Use and Care in a location where it will be noticed by the owner.

For alcove or closet installation, see section 6.
For bathroom or bedroom installation, see section 7.
For mobile or manufactured home see, section 8.
For side or bottom exhaust, see section 9.

Minimum Clearance Other Than Alcove or Closet Installation

Minimum clearance to combustible surfaces and for air opening are: 0 cm (0 in.) clearance both sides and 2.5 cm (1 in.) rear. Consideration **must** be given to provide adequate clearance for installation and service.

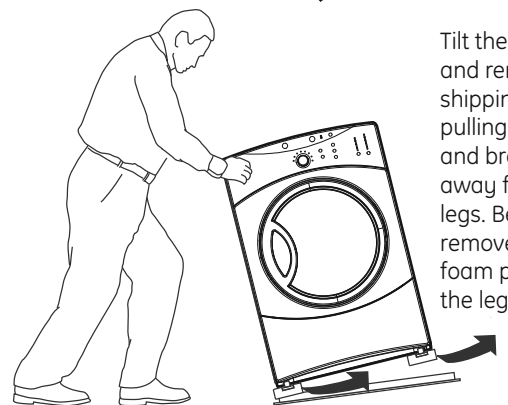
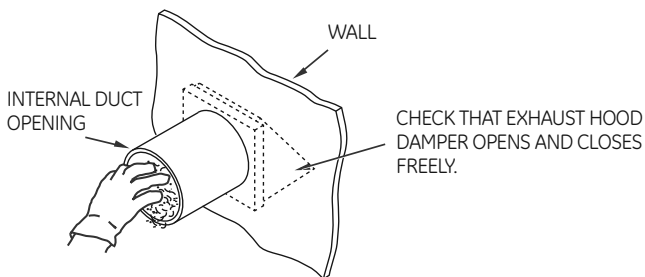
1 PREPARING FOR INSTALLATION OF NEW DRYER



Pull the vent protection bracket out until it stops, and let it rest on the floor. The bracket prevents the unit from moving too close to the wall and crushing the rear vent. Prolong by adding a DASHED FLEXIBLE duct.

TIP: Install your dryer before installing your washer. This will allow better access when installing dryer exhaust.

REMOVING LINT FROM WALL EXHAUST OPENING & FOAM REMOVAL FROM DRYER LEGS



Tilt the dryer sideways and remove the foam shipping pads by pulling at the sides and breaking them away from the dryer legs. Be sure to remove all of the foam pieces around the legs.

2 ELECTRICAL CONNECTION INFORMATION

⚠ WARNING - TO REDUCE THE RISK OF FIRE, ELECTRICAL SHOCK AND PERSONAL INJURY:

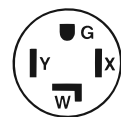
DO NOT USE AN EXTENSION CORD OR AND ADAPTER PLUG WITH THIS APPLIANCE.

Dryer must be electrically grounded in accordance with local codes and ordinances. Installation must be in accordance with the current CSA C22.1 Canadian Electrical code part 1. Improper connection of the equipment-grounding conductor can result in an electric shock. Check with a qualified electrician or service representative or personnel if you are in doubt as to whether the appliance is properly grounded.

Do not modify the plug provided with the appliance: if it will not fit the outlet, have a proper outlet installed by a qualified electrician.

ELECTRICAL REQUIREMENTS

This dryer must be connected to an individual branch circuit, protected by the required time-delay fuses or circuit breakers. The power supply must be of 120/240 volts, 60 Hz circuit with the wall receptacle as shown below:



TYPICAL 30 AMP RECEPTACLE FOR DRYER

The power supply must be protected with 30 Amp fuses or breakers. It must be well grounded and conform to local codes.

GROUNDING INSTRUCTIONS

This appliance must be grounded. In the event of malfunction or breakdown, grounding will reduce the risk of electrical shock by providing a path of least resistance for electrical current. This appliance is equipped with a cord having an equipment-grounding conductor and a grounding plug. The plug must be plugged into an appropriate outlet that is properly installed and grounded in accordance with all local codes and ordinances.

Electric Dryer

3 EXHAUST INFORMATION

⚠ WARNING - USE ONLY METAL 10 cm (4") DUCT. DO NOT USE DUCT LONGER THAN SPECIFIED IN THE EXHAUST LENGTH TABLE.

Using exhaust longer than specified length will:

- Increase the drying times and the energy cost.
- Reduce the dryer life.
- Accumulate lint, creating a potential fire hazard.

The correct exhaust installation is YOUR RESPONSIBILITY. Problems due to incorrect installation are not covered by the warranty.

The MAXIMUM ALLOWABLE length of the exhaust system depends upon the type of duct, number of turns, the type of exhaust hood (wall cap), and all conditions noted below. Both rigid and flexible metal duct are shown in the table below.

EXHAUST LENGTH

No. of 90° Elbows	RECOMMENDED MAXIMUM LENGTH			
	Exhaust Hood Types			
	Recommended		Use only for short run installations	
0	27.4 m (90 ft.)	16.8 m (55 ft.)	18.3 m (60 ft.)	13.7 m (45 ft.)
1	18.3 m (60 ft.)	12.2 m (40 ft.)	13.7 m (45 ft.)	9.1 m (30 ft.)
2	13.7 m (45 ft.)	9.1 m (30 ft.)	10.7 m (35 ft.)	6.1 m (20 ft.)
3	10.7 m (35 ft.)	6.1 m (20 ft.)	7.6 m (25 ft.)	4.6 m (15 ft.)
4	7.6 m (25 ft.)	4.6 m (15 ft.)	4.6 m (15 ft.)	3.0 m (10 ft.)

If using flexible metal duct, please refer to page 10.

EXHAUST SYSTEM CHECKLIST

HOOD OR WALLCAP

- Terminate in a manner to prevent back drafts or entry of birds or other wildlife.
- Termination should present minimal resistance to the exhaust air flow and should require little or no maintenance to prevent clogging.
- Never install a screen in or over the exhaust duct. This could cause lint build up, thus creating a fire hazard.
- Wall caps must be installed at least 30 cm (12 in.) above ground level or any other obstruction with the opening pointed down.
- If roof vents or louvered plenums are used, they must be equivalent to a 10 cm (4 in.) dampened wall cap in regard to resistance to air flow, prevention of back drafts, and maintenance required to prevent clogging.

SEPARATION OF TURNS

For best performance, separate all turns by at least 1.2 m (4 ft.) of straight duct, including distance between last turn and exhaust hood.

TURNS OTHER THAN 90°

- One turn of 45° or less may be ignored.
- Two 45° turns should be treated as one 90° turn.
- Each turn over 45° should be treated as one 90° turn.

SEALING OF JOINTS

- All joints should be tight to avoid leaks. The male end of each section of duct must point away from the dryer.
- Do not assemble the ductwork with fasteners that extend into the duct. They will serve as a collection point for lint.
- Duct joints should be made air and moisture-tight by wrapping the overlapped joints with duct tape.
- Horizontal runs should slope down toward the outdoors 1.2cm (1/2 in.) /ft.

INSULATION

Duct work that runs through an unheated area or is near air conditioning should be insulated to reduce condensation and lint build-up.

4 EXHAUST CONNECTION

⚠ WARNING - TO REDUCE THE RISK OF FIRE OR PERSONAL INJURY:

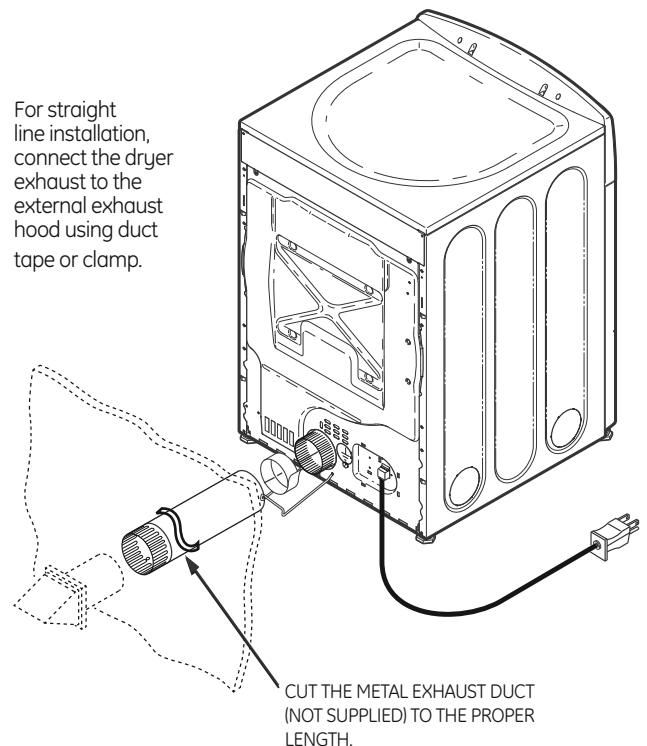
This dryer must be exhausted to the outdoors.

- Use only metal duct.
- Do not terminate exhaust in a chimney, any gas vent, under an enclosed floor (crawl space), or into an attic. The accumulated lint could create a fire hazard.
- Provide an access for inspection and cleaning of the exhaust system, especially at turns. Inspect and clean at least once a year.
- Never terminate the exhaust into a common duct with a kitchen exhaust. A combination of lint and grease could create a fire hazard.
- Do not obstruct incoming or exhausted air.

THIS DRYER COMES READY FOR REAR EXHAUSTING. IF SPACE IS LIMITED, USE THE INSTRUCTIONS IN SECTION 9 TO EXHAUST DIRECTLY FROM THE SIDES OR BOTTOM OF THE CABINET.

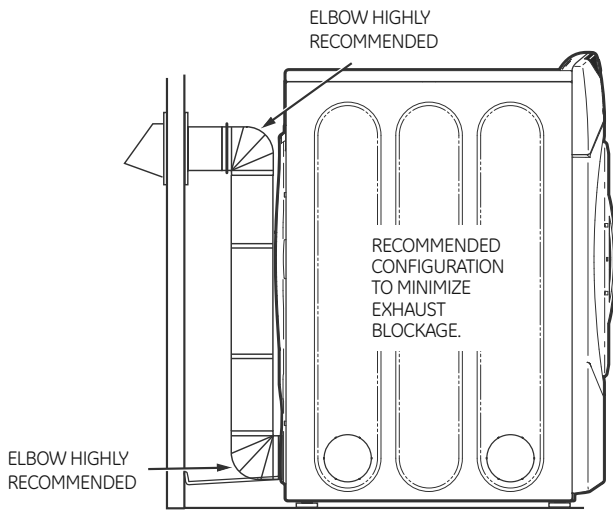
STANDARD REAR EXHAUST (Vented at floor level)

For straight line installation, connect the dryer exhaust to the external exhaust hood using duct tape or clamp.



NOTE: WE STRONGLY RECOMMEND SOLID METAL EXHAUST DUCTING. HOWEVER, IF FLEXIBLE DUCTING IS USED IT **MUST** BE METAL **NOT** PLASTIC.

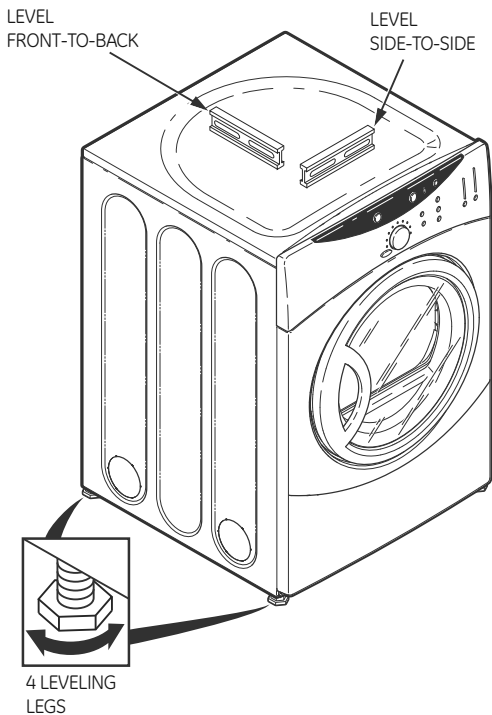
STANDARD REAR EXHAUST (Vented above floor level)



NOTE: ELBOWS WILL PREVENT DUCT KINKING AND COLLAPSING.

5 LEVELING AND STABILIZING YOUR DRYER

Stand the dryer upright near the final location and adjust the 4 leveling legs, at the corners, to ensure that the dryer is level from side to side and front to rear.



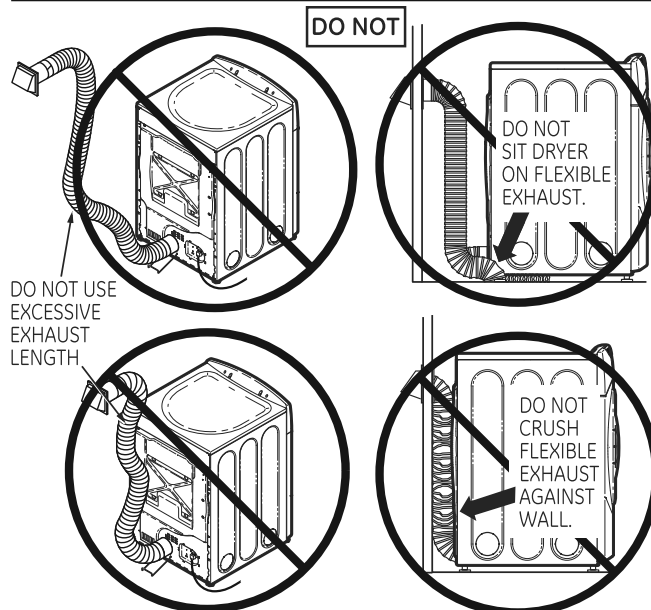
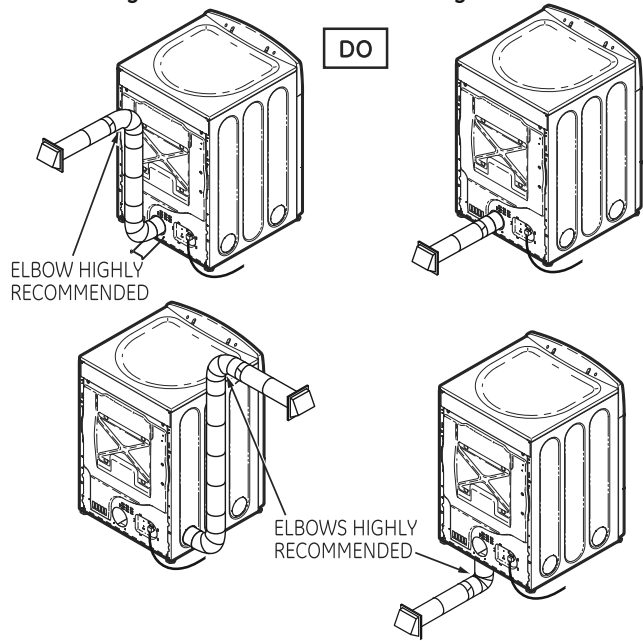
Electric Dryer

USING FLEXIBLE METAL DUCTS

If rigid all-metal duct cannot be used, then flexible all-metal ducting can be used, but it will reduce the maximum recommended duct length. In special installations when it is impossible to use only metal ducting, then UL-listed clothes dryer flexible metal transition duct may be used as transition venting between the dryer and wall connection only. The use of this ducting will affect dry time.

If flexible transition duct is necessary, the following directions must be followed.

- Use the shortest length possible.
- Stretch the duct to its maximum length to avoid kinks.
- Do not crush or collapse the duct.
- Extend vent protection bracket as described in step 1.
- Never use transition duct inside the wall or inside the dryer on page 2.
- Avoid resting the duct on sharp objects.
- **Venting must conform to local building codes.**



EXHAUSTING

A CLOTHES DRYER PRODUCES COMBUSTIBLE LINT. FOR ALL INSTALLATIONS, THE DRYER MUST BE CONNECTED TO AN EXHAUST TO THE OUTDOORS.

NOTE: MOBILE HOME, BEDROOM, BATHROOM, ALCOVE OR CLOSET INSTALLATIONS MUST BE EXHAUSTED TO THE OUTDOORS.

6 ALCOVE OR CLOSET INSTALLATION

- If your dryer is approved for installation in an alcove or closet, it will be stated on a label on the dryer back.
- The dryer **MUST** be vented to the outdoors. See the EXHAUST INFORMATION sections 3 & 4.
- Minimum clearance between dryer cabinet and adjacent walls or other surfaces is:
0 in. either side
7.6 cm (3 in.) front and rear
- Minimum vertical space from floor to overhead cabinets, ceiling, etc. is 109 cm (43 in.) without pedestal, 140 cm (55 in.) with pedestal.
- Closet doors must be louvered or otherwise ventilated and must contain a minimum of 387 sq. cm (60 sq. in.) of open area equally distributed. If the closet contains both a washer and a dryer, doors must contain a minimum of 774 sq. cm (120 sq. in.) of open area equally distributed.

NOTE: WHEN THE EXHAUST DUCT IS LOCATED AT THE REAR OF THE DRYER, MINIMUM CLEARANCE FROM THE WALL IS 14 cm (5.5 IN.)

7 BATHROOM OR BEDROOM INSTALLATION

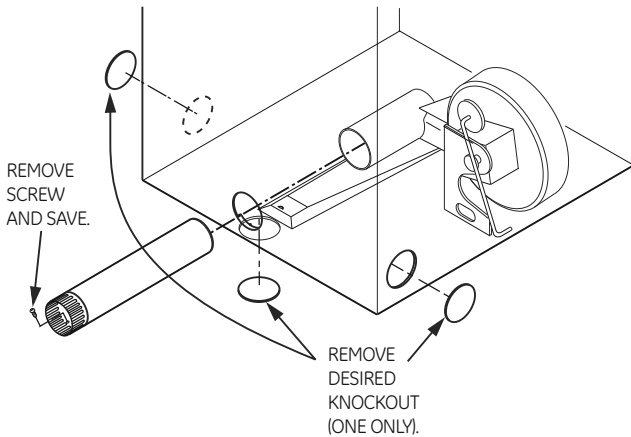
- The dryer **MUST** be vented to the outdoors. See EXHAUST INFORMATION section 3 & 4.
- The installation must conform with local codes or, in the absence of local codes, with the current CSA C22.1 Canadian Electrical code part 1.

8 MOBILE OR MANUFACTURED HOME INSTALLATION

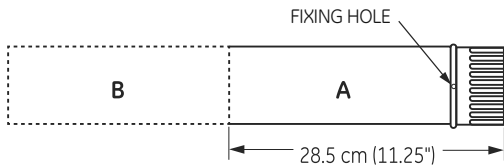
- Installation must conform to the current CAN/CSA Z240 MH series Mobile Home Installation Codes.
- The dryer **MUST** be vented to the outdoors with the termination securely fastened to the mobile home structure. (See EXHAUST INFORMATION section 3 & 4.)
- The vent **MUST NOT** be terminated beneath a mobile or manufactured home.
- The vent duct material **MUST BE METAL**.
- Do not use sheet metal screws or other fastening devices which extend into the interior of the exhaust vent.
- See section 2 for electrical connection information.

9 DRYER EXHAUST TO RIGHT, LEFT OR BOTTOM CABINET

⚠ WARNING - BEFORE PERFORMING THIS EXHAUST INSTALLATION, BE SURE TO DISCONNECT THE DRYER FROM ITS ELECTRICAL SUPPLY. PROTECT YOUR HANDS AND ARMS FROM SHARP EDGES WHEN WORKING INSIDE THE CABINET. BE SURE TO WEAR GLOVES.

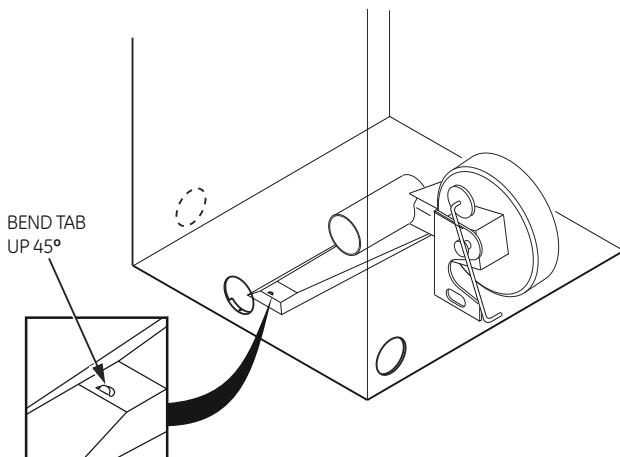


Detach and remove the bottom, right or left side knockout as desired. Remove the screw inside the dryer exhaust duct and save. Pull the duct out of the dryer.



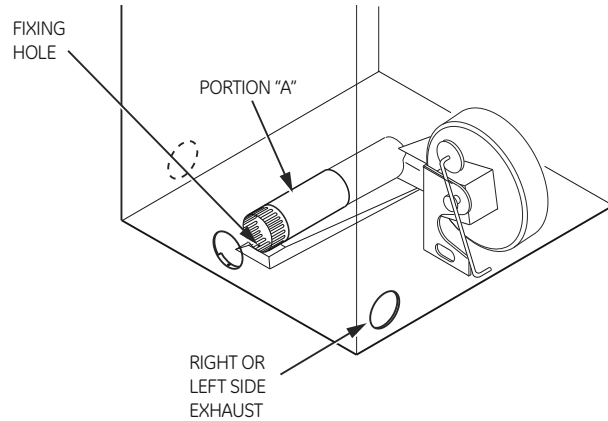
Cut the duct as shown and keep portion A.

TAB LOCATION



Through the rear opening, locate the tab in the middle of the appliance base. Lift the tab to about 45° using a flat blade screwdriver.

ADDING NEW DUCT

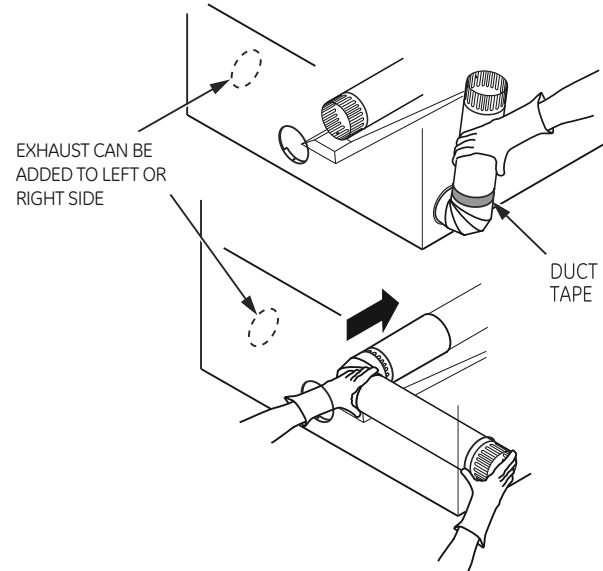


Reconnect the cut portion (A) of the duct to the blower housing. Make sure that the shortened duct is aligned with the tab in the base. Use the screw saved previously to secure the duct in place through the tab on the appliance base.

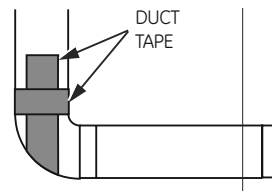
ADDING ELBOW AND DUCT FOR EXHAUST TO LEFT OR RIGHT SIDE OF CABINET

- Preassemble 10 cm (4") elbow with 10 cm (4") duct. Wrap duct tape around joint.
- Insert duct assembly, elbow first, through the side opening and connect the elbow to the dryer internal duct.

CAUTION: Be sure not to pull or damage the electrical wires inside the dryer when inserting the duct.



- Apply duct tape as shown on the joint between the dryer internal duct and the elbow.

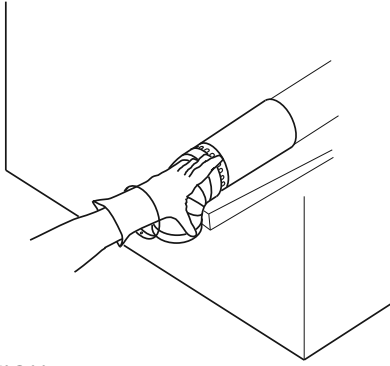


CAUTION: Internal duct joints must be secured with tape, otherwise they may separate and cause a safety hazard.

Electric Dryer

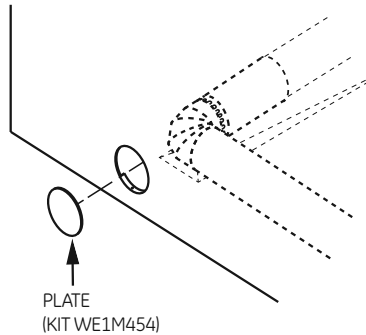
DRYER EXHAUST TO RIGHT, LEFT OR BOTTOM CABINET

- Insert the elbow through the rear opening and connect it to the dryer internal duct.
- Apply duct tape on the joint between the dryer internal duct and elbow, as shown on page 11.



CAUTION:
Internal duct joints must be secured with tape, otherwise they may separate and cause a safety hazard.

ADDING COVER PLATE TO REAR OF CABINET (SIDES AND BOTTOM EXHAUST)



Connect standard metal elbows and ducts to complete the exhaust system. Cover back opening with a plate (Kit WE1M454) available from your local service provider. Place dryer in final location.

⚠ WARNING - NEVER LEAVE THE BACK OPENING WITHOUT THE PLATE. (Kit WE1M454)

10 SERVICING

⚠ WARNING - LABEL ALL WIRES PRIOR TO DISCONNECTING WHEN SERVICING CONTROLS. WIRING ERRORS CAN CAUSE IMPROPER AND DANGEROUS OPERATION AFTER SERVICING/INSTALLATION.

For servicing phone numbers for replacement parts, and other information, refer to Owner's Manual or visit our Web site.

PEDESTALS FOR DRYERS (comes with individual installation instructions)

Available models: -SBSD227F
-SBSD137H
-SBSD107H

BEFORE YOU BEGIN:

Read these instructions completely and carefully.

IMPORTANT - Save these instructions for local inspector's use.

IMPORTANT - Observe all governing codes and ordinances.

Note to Installer - Be sure to leave these instructions with the customer.

Note to Customer - Keep these instructions with your Use and Care Book for future reference.

Before the old dryer is removed from service or discarded, remove the dryer door.

Service information and the wiring diagram are located in the control console.

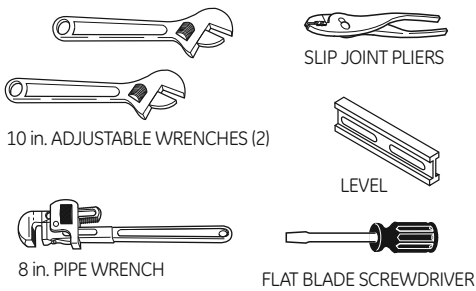
⚠ WARNING!

FOR YOUR SAFETY:

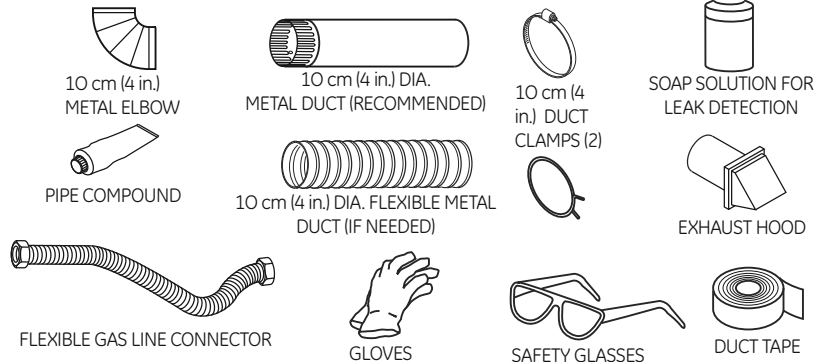
- Use only rigid metal or flexible metal 10 cm (4 in.) diameter ductwork for exhausting to the outdoors. Never use plastic or other combustible, easy-to-puncture ductwork.
- This appliance must be properly grounded and installed as described in these instructions.
- Do not install or store appliance in an area where it will be exposed to water and/or weather.
- Verify and conform to local regulations before installing an appliance in the garage.
- Install the dryer where the temperature is above 10° C (50°F) for satisfactory operation of the dryer control system.
- This dryer must be exhausted to the outdoors.
- Inspect the dryer exhaust outlet and straighten the outlet walls if they are bent.
- Do not allow children on or in the appliance. Close supervision of children is necessary when the appliance is used near children.

NOTE: Installation and service of this dryer requires basic mechanical and electrical skills. It is your responsibility to contact a qualified installer to make the electrical connections.

TOOLS YOU WILL NEED



MATERIALS YOU WILL NEED



- Step 1 Verify your gas installation (see section 2).
- Step 2 Prepare the area and exhaust for installation of new dryer (see section 1).
- Step 3 Check and ensure the existing external exhaust is clean (see section 1) and meets attached installation specifications (see section 6).
- Step 4 Remove the foam shipping pads (see section 1).
- Step 5 Move the dryer to the desired location.
- Step 6 Level your dryer (see section 8).
- Step 7 Connect the gas supply (see section 3) and check for leaks (see section 4)

- Step 8 Connect the external exhaust (see section 7).
- Step 9 Connect the power supply (see section 5).
- Step 10 Check the operation of the power supply, gas connections and venting.
- Step 11 Place the Use and Care in a location where it will be noticed by the owner.

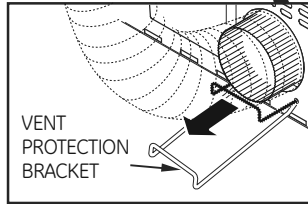
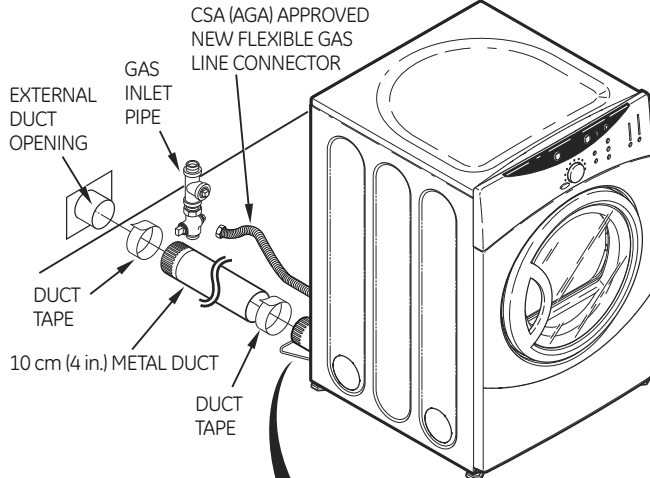
For alcove or closet installation, see section 9.
For bathroom or bedroom installation, see section 10.
For mobile or manufactured home see, section 11.

Gas Dryer

Minimum Clearance Other Than Alcove or Closet Installation

Minimum clearance to combustible surfaces and for air opening are: 0 cm (0 in.) clearance both sides and 2.5 cm (1 in.) rear. Consideration **must** be given to provide adequate clearance for installation and service.

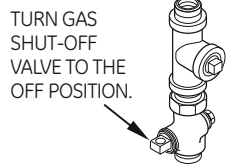
1 PREPARING FOR INSTALLATION OF NEW DRYER



Pull the vent protection bracket out until it stops, and let it rest on the floor. The bracket prevents the unit from moving too close to the wall and crushing the rear vent. Prolong by adding a DASHED FLEXIBLE duct.

TIP: Install your dryer before installing your washer. This will allow better access when installing dryer exhaust.

DISCONNECTING GAS



TURN GAS SHUT-OFF VALVE TO THE OFF POSITION.

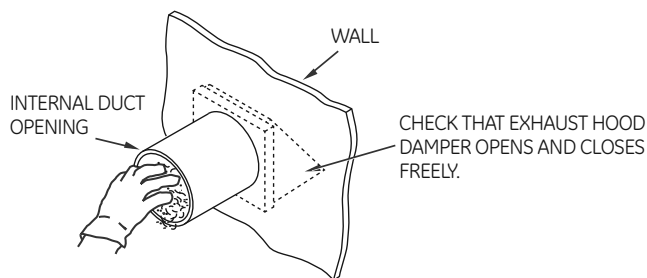
DISCONNECT AND DISCARD OLD FLEXIBLE GAS CONNECTOR AND OLD DUCTING MATERIAL



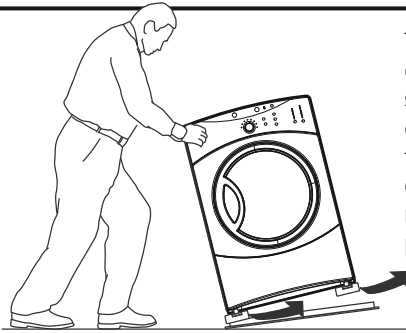
WARNING - NEVER REUSE OLD FLEXIBLE CONNECTORS.

The use of old flexible connectors can cause leaks and personal injury. Always use new flexible connectors when installing gas appliances.

REMOVING LINT FROM WALL EXHAUST OPENING



CHECK THAT EXHAUST HOOD DAMPER OPENS AND CLOSES FREELY.



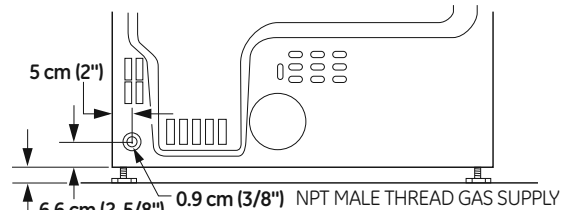
Tilt the dryer sideways and remove the foam shipping pads by pulling at the sides and breaking them away from the dryer legs. Be sure to remove all of the foam pieces around the legs.

2 GAS REQUIREMENTS

WARNING!

- Installation must conform to local codes and ordinances, or in their absence, the **NCAN/CGA-B149**, Natural Gas, Installation.
- This gas dryer is equipped with a Valve & Burner Assembly for use only with natural gas. Using conversion kit **WE25M43**, your local service organization can convert this dryer for use with propane (LP) gas. **ALL CONVERSIONS MUST BE MADE BY PROPERLY TRAINED AND QUALIFIED PERSONNEL AND IN ACCORDANCE WITH LOCAL CODES AND ORDINANCE REQUIREMENTS OF THE CAN/CGA-B149.1 AND B149.2 INSTALLATION CODE.**
- The dryer must be disconnected from the gas supply piping system during any pressure testing of that system at a test pressure in excess of 0.5 PSI (3.4 KPa).
- The dryer must be isolated from the gas supply piping system by closing the equipment shut-off valve during any pressure testing of the gas supply piping of test pressure equal to or less than 0.5 PSI (3.4 KPa).

DRYER GAS SUPPLY CONNECTION



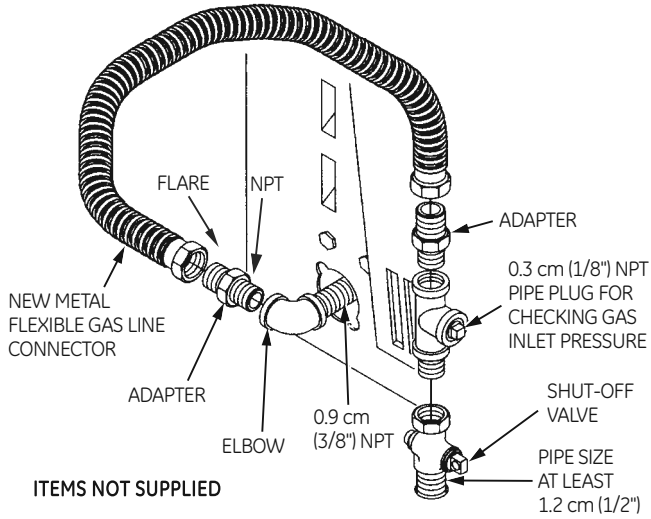
NOTE: Add to vertical dimension the distance between cabinet bottom to floor.

GAS SUPPLY

- A 0.3 cm (1/8-in.) National Pipe Taper thread plugged tapping, accessible for test gauge connection, must be installed immediately upstream of the gas supply connection to the dryer. Contact your local gas utility should you have questions on the installation of the plugged tapping.
- Supply line is to be 1.2 cm (1/2-in.) rigid pipe and equipped with an accessible shut-off within 2 m (6 ft.) of, and in the same room with, the dryer.
- Use pipe thread sealer compound appropriate for natural or LP gas or use Teflon tape.
- You must use with this dryer a flexible metal connector listed connector ANSI Z21.24 / CSA 6.10.
- Connect flexible metal connector to dryer and gas supply.
- Open shut-off valve.

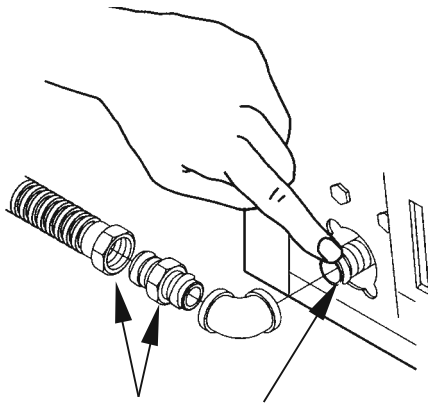
3 RECONNECTING GAS

Listed connector ANSIZ21.24 / CSA 6.10

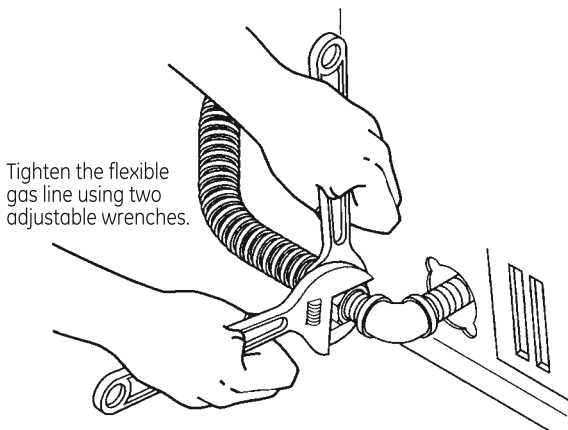


Note: The connector and fittings are designed for use only on the original installation and are not to be reused for another appliance or at another location. Keep flare end of adapter free of grease, oil and thread sealant.

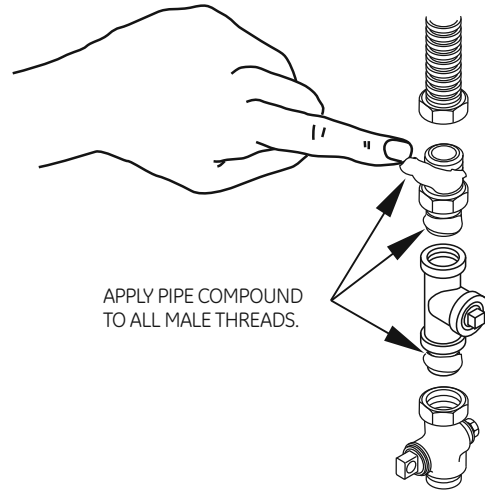
Caution: Use adapters as shown. Connector nuts must not be connected directly to pipe threads.



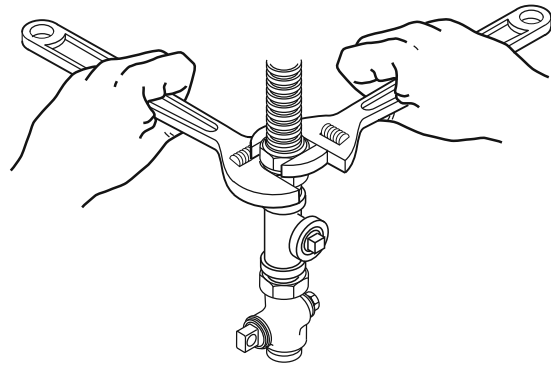
APPLY PIPE COMPOUND TO THE ADAPTER AND DRYER GAS INLET.



Tighten the flexible gas line using two adjustable wrenches.



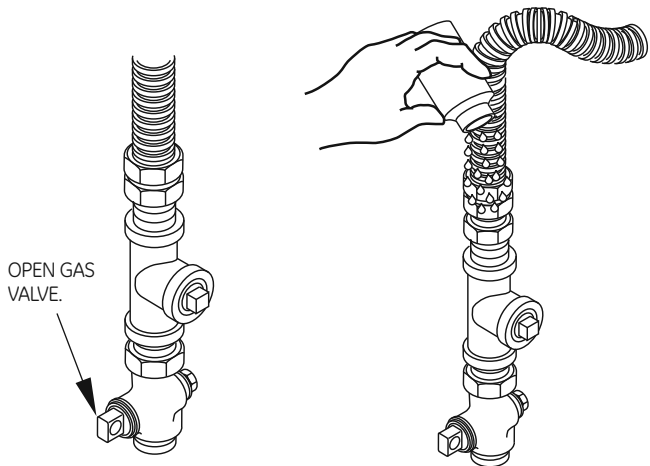
APPLY PIPE COMPOUND TO ALL MALE THREADS.



Tighten all connections using two adjustable wrenches. **Do not overtorque gas connections!**

4 LEAK TEST

⚠ WARNING - NEVER USE AN OPEN FLAME TO TEST FOR GAS LEAKS.



OPEN GAS VALVE.

Check all connections for leaks with soapy solution or equivalent. Apply soap solution. **Leak test solution must not contain ammonia which could cause damage to the brass fittings.** If leaks are found, close valve, retighten the joint, and repeat the soap test.

Gas Dryer

5 ELECTRICAL CONNECTION INFORMATION

⚠ WARNING - TO REDUCE THE RISK OF FIRE, ELECTRICAL SHOCK AND PERSONAL INJURY: DO NOT USE AN EXTENSION CORD OR AN ADAPTER PLUG WITH THIS APPLIANCE.

Dryer must be electrically grounded in accordance with local codes and ordinances, or in the absence of local codes, in accordance with the current CSA C22.1 Canadian Electrical code part 1. Improper connection of the equipment-grounding conductor can result in an electric shock. Check with a qualified electrician or service representative or personnel if you are in doubt as to whether the appliance is properly grounded.

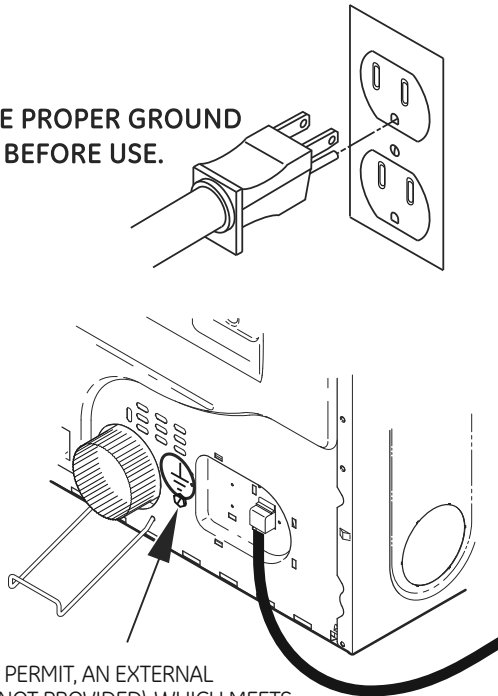
Do not modify the plug provided with the appliance: if it will not fit the outlet, have a proper outlet installed by a qualified electrician.

ELECTRICAL REQUIREMENTS

This appliance must be supplied with 120V, 60Hz, and connected to a properly grounded branch circuit, protected by a 15- or 20-amp circuit breaker or time-delay fuse. If electrical supply provided does not meet the above specifications, it is recommended that a licensed electrician install an approved outlet.

⚠ WARNING - THIS DRYER IS EQUIPPED WITH A THREE-PRONG (GROUNDING) PLUG FOR YOUR PROTECTION AGAINST SHOCK HAZARD AND SHOULD BE PLUGGED DIRECTLY INTO A PROPERLY GROUNDED THREE-PRONG RECEPTACLE. DO NOT CUT OR REMOVE THE GROUNDING PRONG FROM THIS PLUG. INSTALLATION MUST BE IN ACCORDANCE WITH THE CURRENT CSA C22.1 CANADIAN ELECTRICAL CODE PART 1 AND/OR LOCAL CODES.

ENSURE PROPER GROUND EXISTS BEFORE USE.



IF LOCAL CODES PERMIT, AN EXTERNAL GROUND WIRE (NOT PROVIDED), WHICH MEETS LOCAL CODES, MAY BE ADDED BY ATTACHING TO THE GREEN GROUND SCREW ON THE REAR OF THE DRYER, AND TO A GROUNDED METAL COLD WATER PIPE OR OTHER ESTABLISHED GROUND.

6 EXHAUST INFORMATION

⚠ WARNING - USE ONLY METAL 10 cm (4in.) DUCT. DO NOT USE DUCT LONGER THAN SPECIFIED IN THE EXHAUST LENGTH TABLE.

Using exhaust longer than specified length will:

- Increase the drying times and the energy cost.
- Reduce the dryer life.
- Accumulate lint, creating a potential fire hazard.

The correct exhaust installation is YOUR RESPONSIBILITY. Problems due to incorrect installation are not covered by the warranty.

The MAXIMUM ALLOWABLE length of the exhaust system depends upon the type of duct, number of turns, the type of exhaust hood (wall cap), and all conditions noted below. Both rigid and flexible metal duct are shown in the table below.

EXHAUST LENGTH

No. of 90° Elbows	RECOMMENDED MAXIMUM LENGTH			
	Exhaust Hood Types			
	Recommended		Use only for short run installations	
0	Rigid Metal	Flexible Metal	Rigid Metal	Flexible Metal
1	27.4 m (90 ft.)	16.8 m (55 ft.)	18.3 m (60 ft.)	13.7 m (45 ft.)
2	18.3 m (60 ft.)	12.2 m (40 ft.)	13.7 m (45 ft.)	9.1 m (30 ft.)
3	13.7 m (45 ft.)	9.1 m (30 ft.)	10.7 m (35 ft.)	6.1 m (20 ft.)
	10.7 m (35 ft.)	6.1 m (20 ft.)	7.6 m (25 ft.)	4.6 m (15 ft.)

If using flexible metal duct, please refer to page 18.

EXHAUST SYSTEM CHECKLIST

HOOD OR WALLCAP

- Terminate in a manner to prevent back drafts or entry of birds or other wildlife.
- Termination should present minimal resistance to the exhaust air flow and should require little or no maintenance to prevent clogging.
- Never install a screen in or over the exhaust duct.
- Wall caps must be installed at least 30 cm (12 in.) above ground level or any other obstruction with the opening pointed down.
- If roof vents or louvered plenums are used, they must be equivalent to a 10 cm (4 in.) dampened wall cap in regard to resistance to air flow, prevention of back drafts, and maintenance required to prevent clogging.

SEPARATION OF TURNS

For best performance, separate all turns by at least 1.2 m (4 ft.) of straight duct, including distance between last turn and dampened wall cap.

TURNS OTHER THAN 90°

- One turn of 45° or less may be ignored.
- Two 45° turns should be treated as one 90° turn.
- Each turn over 45° should be treated as one 90° turn.

SEALING OF JOINTS

- All joints should be tight to avoid leaks. The male end of each section of duct must point away from the dryer.
- Do not assemble the ductwork with fasteners that extend into the duct. They will serve as a collection point for lint.
- Duct joints should be made air- and moisture-tight by wrapping the overlapped joints with duct tape.
- Horizontal runs should slope down toward the outdoors 1.2cm (1/2 in.)/ft.

INSULATION

Duct work that runs through an unheated area or is near air conditioning should be insulated to reduce condensation and lint build-up.

7 EXHAUST CONNECTION

⚠ WARNING - TO REDUCE THE RISK OF FIRE OR PERSONAL INJURY:

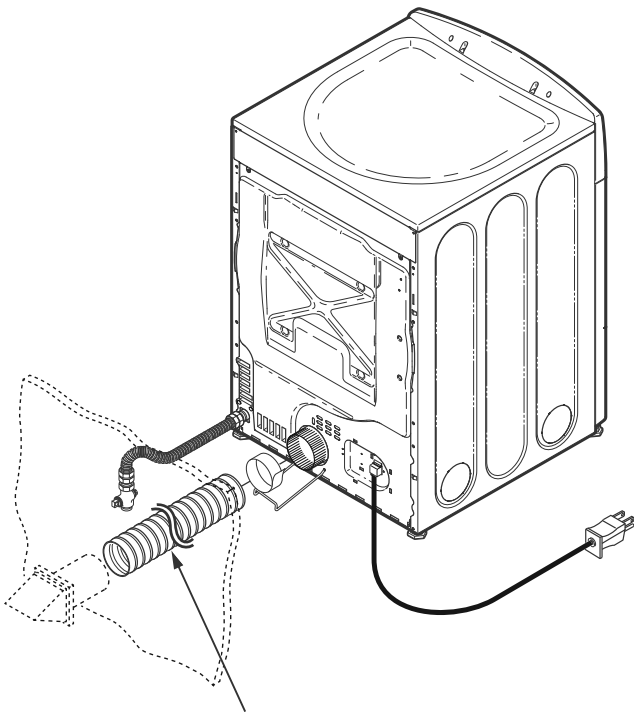
This dryer must be exhausted to the outdoors.

- Use only metal duct.
- Do not terminate exhaust in a chimney, any gas vent, under an enclosed floor (crawl space), or into an attic. The accumulated lint could create a fire hazard.
- Provide an access for inspection and cleaning of the exhaust system, especially at turns. Inspect and clean at least once a year.
- Never terminate the exhaust into a common duct with a kitchen exhaust. A combination of lint and grease could create a fire hazard.
- Do not obstruct incoming or exhausted air.

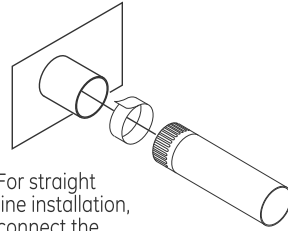
WE RECOMMEND THAT YOU INSTALL YOUR DRYER BEFORE YOUR WASHER. THIS WILL PERMIT DIRECT ACCESS FOR EASIER EXHAUST CONNECTION.

THIS DRYER COMES READY FOR REAR EXHAUSTING. IF SPACE IS LIMITED, USE THE INSTRUCTIONS IN SECTION 12 TO EXHAUST DIRECTLY FROM THE LEFT SIDE OR BOTTOM OF THE CABINET.

STANDARD REAR EXHAUST

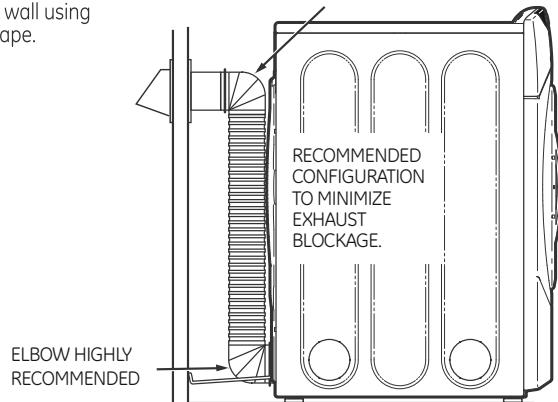


WE STRONGLY RECOMMEND THE USE OF RIGID METAL EXHAUST DUCT. IF USING FLEXIBLE METAL DUCT, CUT IT TO THE PROPER LENGTH AND AVOID BUNCHING OF THE DUCT BEHIND THE DRYER.



For straight line installation, connect the dryer exhaust to the wall using duct tape.

ELBOW HIGHLY RECOMMENDED



ELBOW HIGHLY RECOMMENDED

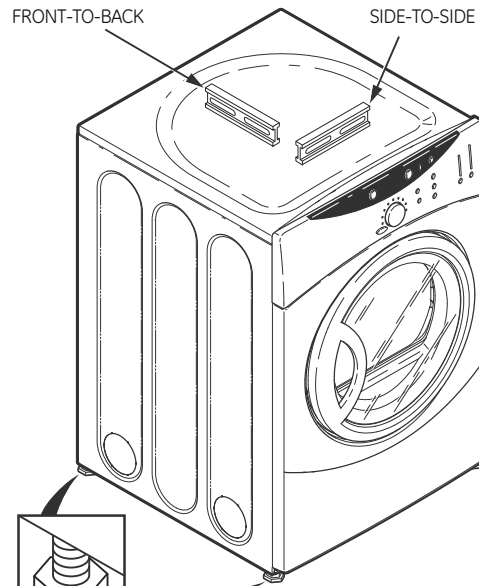
NOTE: ELBOWS WILL PREVENT DUCT KINKING AND COLLAPSING.

8 LEVELING DRYER

Stand the dryer upright near the final location and adjust the 4 leveling legs to match the height of your washer.

LEVEL FRONT-TO-BACK

LEVEL SIDE-TO-SIDE



4 LEVELING LEGS

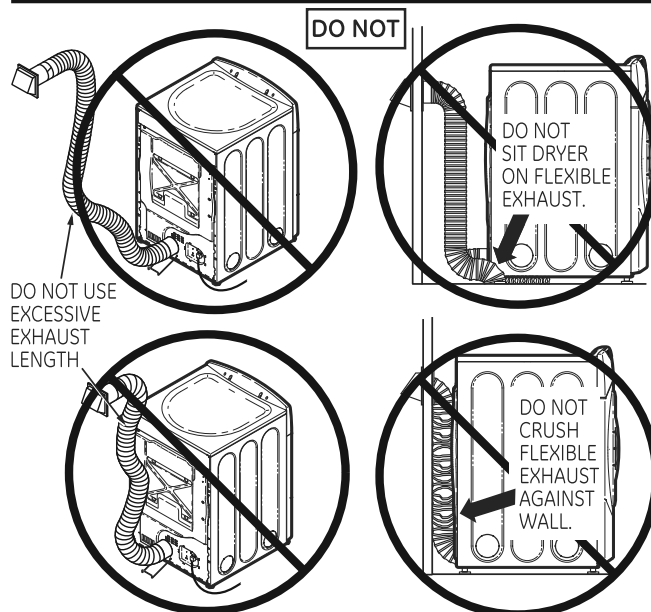
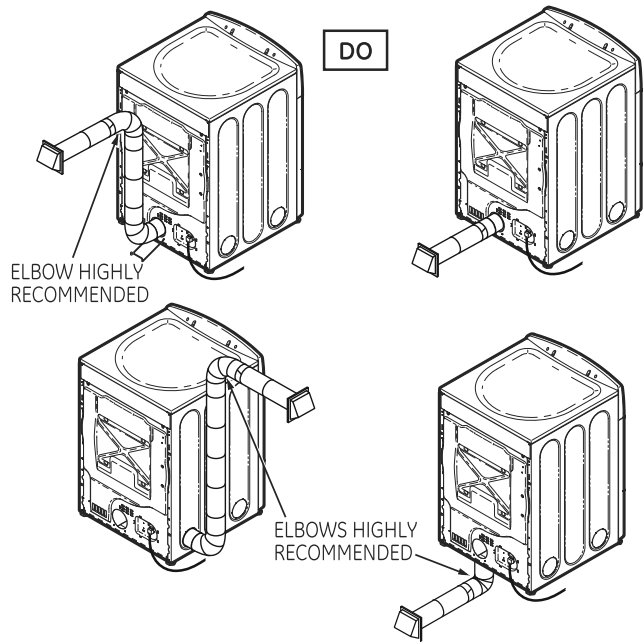
Gas Dryer

USING FLEXIBLE METAL DUCTS

If rigid all-metal duct cannot be used, then flexible all-metal venting can be used, but it will reduce the maximum recommended duct length. In special installations when it is impossible to use only metal ducting, then UL-listed clothes dryer flexible metal transition duct may be used as transition venting between the dryer and wall connection only. The use of this ducting will affect dry time.

If flexible transition duct is necessary, the following directions must be followed.

- Use the shortest length possible.
- Stretch the duct to its maximum length to avoid kinks.
- Do not crush or collapse the duct.
- Extend vent protection bracket as described in step 1 on page 2.
- Never use transition duct inside the wall or inside the dryer.
- Avoid resting the duct on sharp objects.
- **Venting must conform to local building codes.**



EXHAUSTING

A CLOTHES DRYER PRODUCES COMBUSTIBLE LINT. FOR ALL INSTALLATIONS, THE DRYER MUST BE CONNECTED TO AN EXHAUST TO THE OUTDOORS.

NOTE: MOBILE HOME, BEDROOM, BATHROOM, ALCOVE OR CLOSET INSTALLATIONS MUST BE EXHAUSTED TO THE OUTDOORS.

9 ALCOVE OR CLOSET INSTALLATION

- If your dryer is approved for installation in an alcove or closet, it will be stated on a label on the dryer back.
- The dryer **MUST** be vented to the outdoors. See the EXHAUST INFORMATION sections 3 & 4.
- Minimum clearance between dryer cabinet and adjacent walls or other surfaces is:
 - 0 in. either side
 - 7.6 cm (3 in.) front and rear
- Minimum vertical space from floor to overhead cabinets, ceiling, etc. is 109 cm (43 in.) without pedestal, 140 cm (55 in.) with pedestal.
- Closet doors must be louvered or otherwise ventilated and must contain a minimum of 387 sq. cm (60 sq. in.) of open area equally distributed. If the closet contains both a washer and a dryer, doors must contain a minimum of 774 sq. cm (120 sq. in.) of open area equally distributed.
- The closet should be vented to the outdoors to prevent gas pocketing in case of a gas leak in the supply line.
- No other fuel-burning appliance shall be installed in the same closet with the dryer.

NOTE: WHEN THE EXHAUST DUCT IS LOCATED AT THE REAR OF THE DRYER, MINIMUM CLEARANCE FROM THE WALL IS 14 cm (5.5 IN.)

10 BATHROOM OR BEDROOM INSTALLATION

- The dryer **MUST** be vented to the outdoors. See EXHAUST INFORMATION section 6.
- The installation must conform with local codes or, in the absence of local codes, with the current CSA C22.1 Canadian Electrical code part 1.

11 MOBILE OR MANUFACTURED HOME INSTALLATION

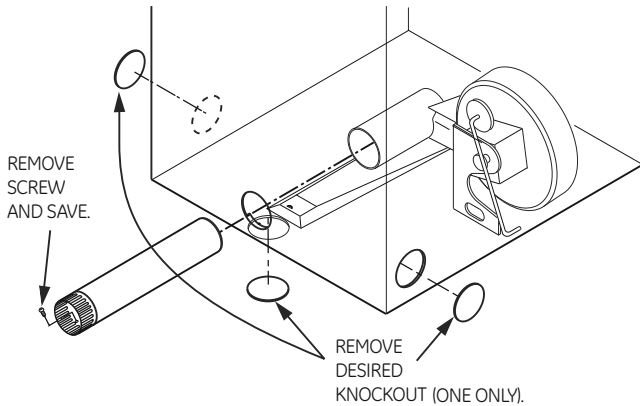
- Installation must conform to the current CAN/CSA Z240 MH series Mobile Home Installation Codes.
- The dryer **MUST** be vented to the outdoors with the termination securely fastened to the mobile home structure. (See EXHAUST INFORMATION section 6.)
- The vent **MUST NOT** be terminated beneath a mobile or manufactured home.
- The vent duct material **MUST BE METAL**.
- KIT 14-D346-33 **MUST** be used to attach the dryer securely to the structure.
- The vent **MUST NOT** be connected to any other duct, vent, or chimney.
- Do not use sheet metal screws or other fastening devices which extend into the interior of the exhaust vent.
- Provide an opening with a free area of at least 161 cm sq. (25 sq. in.) for introduction of outside air into the dryer room.

12 RESIDENTIAL GARAGE INSTALLATION

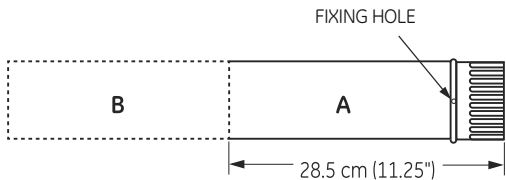
Dryers installed in residential garages must be elevated 18 inches (46 cm) above the floor.

13 DRYER EXHAUST TO LEFT OR BOTTOM CABINET

⚠ WARNING - PROTECT YOUR HANDS AND ARMS FROM SHARP EDGES WHEN WORKING INSIDE THE CABINET.

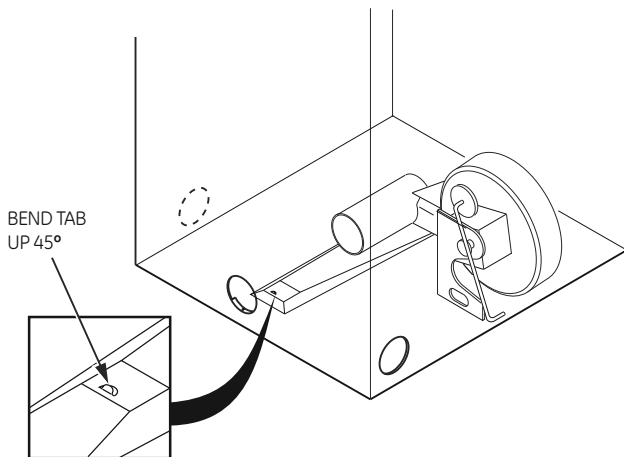


Detach and remove the bottom, right or left side knockout as desired. Remove the screw inside the dryer exhaust duct and save. Pull the duct out of the dryer. Protect sharp edges around the knockout and exhaust opening with the tape.



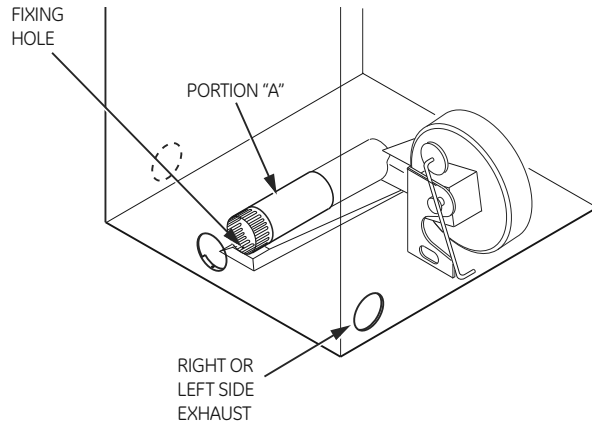
Cut the duct as shown and keep portion A.

TAB LOCATION



Through the rear opening, locate the tab in the middle of the appliance base. Lift the tab to about 45° using a flat blade screwdriver.

ADDING NEW DUCT

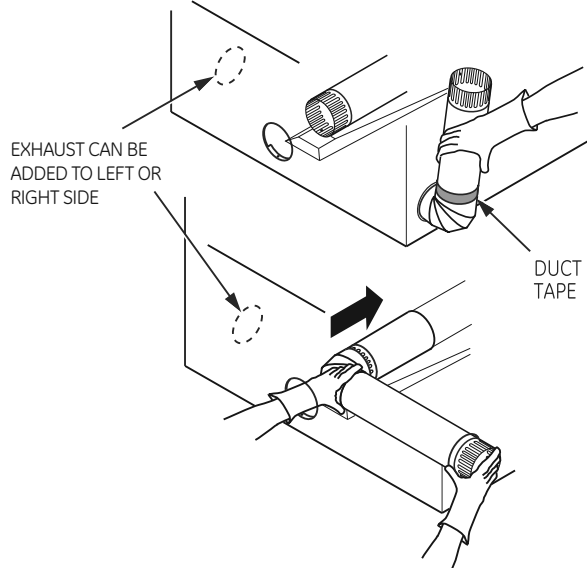


Reconnect the cut portion (A) of the duct to the blower housing. Make sure that the fixing hole is aligned with the tab in the base. Use the screw saved previously to secure the duct in place through the tab on the appliance base.

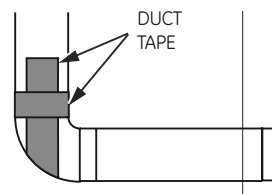
ADDING ELBOW AND DUCT FOR EXHAUST TO RIGHT SIDE OF CABINET

- Preassemble 10 cm (4") elbow with 10 cm (4") duct. Wrap duct tape around joint.
- Insert duct assembly, elbow first, through the side opening and connect the elbow to the dryer internal duct.

CAUTION: Be sure not to pull or damage the electrical wires inside the dryer when inserting the duct.



- Apply duct tape as shown on the joint between the dryer internal duct and the elbow.

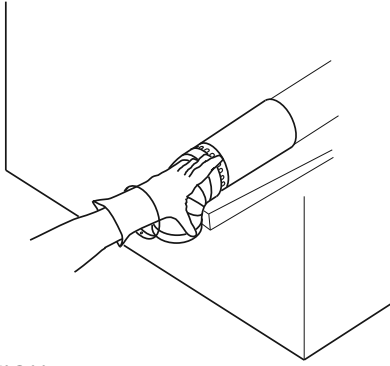


CAUTION: Internal duct joints must be secured with tape, otherwise they may separate and cause a safety hazard.

Gas Dryer

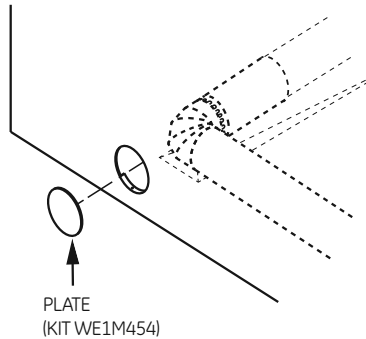
ADDING ELBOW FOR EXHAUST THROUGH BOTTOM OF CABINET

- Insert the elbow through the rear opening and connect it to the dryer internal duct.
- Apply duct tape on the joint between the dryer internal duct and elbow, as shown on page 7.



CAUTION:
Internal duct joints must be secured with tape, otherwise they may separate and cause a safety hazard.

ADDING COVER PLATE TO REAR OF CABINET



Connect standard metal elbows and ducts to complete the exhaust system. Cover back opening with a plate (Kit WE1M454) available from your local service provider. Place dryer in final location.

! WARNING - NEVER LEAVE THE BACK OPENING WITHOUT THE PLATE. (Kit WE1M454)

14 SERVICING

! WARNING - LABEL ALL WIRES PRIOR TO DISCONNECTING WHEN SERVICING CONTROLS. WIRING ERRORS CAN CAUSE IMPROPER AND DANGEROUS OPERATION AFTER SERVICING/INSTALLATION.

For servicing phone numbers for replacement parts, and other information, refer to Owner's Manual or visit our Web site.