



# cooking products

**Retail and Contract Sales**

March 2005 new product introductions



imagination at work

# Contents



## **3** Free-standing gas ranges

**49** Specifications & installation

---



## **25** Built-in gas cooktops

**52** Specifications & installation

---



## **34** Built-in electric cooktops

**54** Specifications & installation



# gas ranges

New product introductions 2005  
GE Profile™ and GE® free-standing gas and dual-fuel ranges



imagination at work



## Free-standing gas and dual-fuel range quick pitch

The maximum in cooking performance and flexibility



### Engaging Style

**Deep recessed cooktop with continuous grates** incorporate modern styling and heavy-duty construction to create a cooktop with a high-end appearance that's impressive and practical.



### Easy Cleanability

**Sealed burners, self-clean oven and glass touch controls** are specifically designed to make cleaning incredibly quick and easy, helping users maintain the attractive appearance of the range while ensuring performance.



### Advanced Technology

**Large capacity oven, PowerBoil™ 17,000 BTU and Precise Simmer** offers high-performance capabilities to help cooks do more at once – saving time in the kitchen, offering customized control and creating ideal results.



### Remarkable Versatility

**Dual-fuel electric convection and double ovens** offer high-performance and flexible cooking options that make meal preparation coordinated, convenient and easy – so foods come out evenly baked and are ready at the same time.

## What's new: Free-standing double oven range

The maximum in cooking performance and flexibility



### Lower oven

- Adds additional 1.0 cu. ft. of cooking capacity
- 6.0 cu. ft. total baking capacity when combined with upper oven
- 150°–450° capability for warming and baking
- Upper and lower heating elements
- Provides additional storage when not in use
- Easy-to-clean removable drawer liner
- Available on JGB928, J2B918, JGB918



### Center oval burner

- Adds fifth burner to the cooktop
- Interchangeable center grate removes to insert provided griddle accessory
- Available on J2B918, JGB918, JGB916, JGB908, JGBP88



### Non-stick griddle

- Replaces center grate
- Cooks multiple items like pancakes, sandwiches, quesadillas or sausages
- Flat, non-stick surface
- Provides uniform heat distribution from front to back of griddle
- Included with purchase of range
- Available on J2B918, JGB918, JGB916, JGB908, JGBP88

*Not all features available on all models.*



### PowerBoil™ 17,000 BTU burner

- Maximum 17,000 BTU output
- Accelerates boiling
- Available on J2B918, JGB918, JGB916, JGB908



### Profile stainless sculptured handles

- Durable stainless steel construction
- Sculptured handle coordinates with other GE Profile appliances
- Available on all stainless GE Profile gas range models

## Feature gallery: GE Profile™ free-standing gas and dual-fuel ranges



### QuickSet VI glass touch controls\*

Features a smooth glass design that is easy-to-operate and easy-to-clean.



### Gas on glass cooktop

Features a ceramic glass surface that is easy-to-clean.



### Continuous grates

Allow for easy movement of pots and pans between burners.



### Precise simmer burner

Delivers a low setting of 140°, ideal for delicate foods and sauces.



### Lower oven

Offers an additional 1.0 cu. ft. of capacity for convenient baking from 150°–450°.



### Big ClearView™ window

Allows monitoring the progress of food easy.



GE Profile model JGB928

\*Traditional QuickSet VI controls on stainless models.  
Not all features available on all models.





GE Profile model JGB916

**Deep recessed cooktop**

Helps contain spills for easy cleaning.



**Power Boil™ 17,000 BTU burner**

Delivers 17,000 BTUs of forceful heat for rapid boiling.



**Center oval burner**

Adds a fifth element to the center of the cooktop to accommodate large cookware and deliver ideal results.



**Non-stick griddle**

Offers a flat cooking surface, placed over the center oval burner, for cooking multiple foods at once.



**Sealed cooktop burners**

Contain spills and make cleaning quick and easy.



**Warming drawer**

Provides variable temperature control for keeping foods warm.



## Feature gallery: GE® free-standing gas ranges



### QuickSet V oven controls

Feature easy to use electronic touch pads to simplify oven operation.



### Deep recessed cooktop

Helps contain spills for easy cleaning.



### Dishwasher-safe grates

Features durable construction for worry-free and effortless cleaning and maintenance.



### Non-stick griddle

Offers a flat cooking surface, placed over the center oval burner, for cooking multiple foods at once.



### Center oval burner

Adds a fifth element to the center of the cooktop to accommodate large cookware and deliver ideal results.



### Warming drawer

Provides variable temperature control for keeping foods warm.



GE model JGBP88



**Precise simmer burner**

Delivers a low setting of 140°, ideal for delicate foods and sauces.



**PowerBoil™  
16,000 BTU burner**

Delivers 16,000 BTUs of forceful heat for rapid boiling.



**Sealed cooktop burners**

Contain spills and make cleaning quick and easy.



**Continuous grates**

Allow for easy movement of pots and pans between burners.



**Frameless glass  
oven door**

Offers an easy-to-clean and stylish design that blends seamlessly into existing cabinetry.



**Big ClearView™ window**

Allows monitoring the progress of food easy.



# The inside story: GE Profile™ and GE® free-standing gas and dual-fuel ranges

## GE Profile upper oven interior



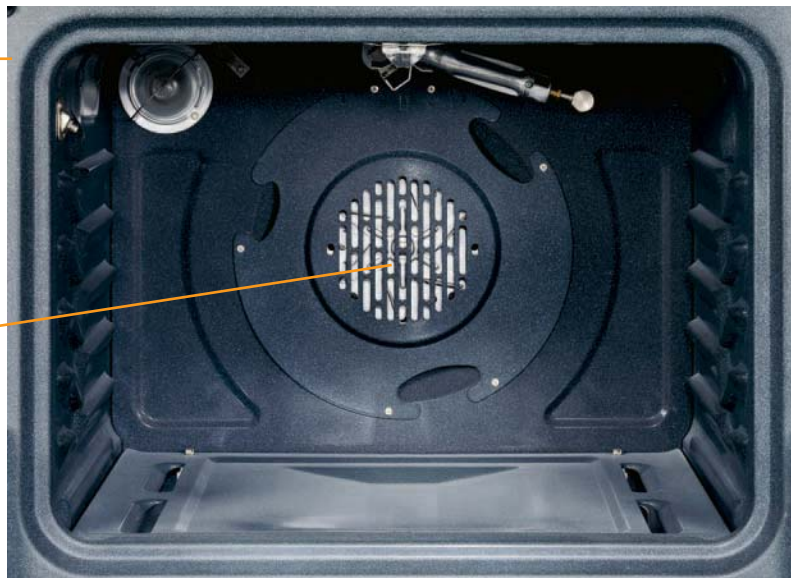
### 5.0 cu. ft. super-large oven capacity

Gives consumers the room they need to cook large meals.



### Two-speed convection oven

Circulates air throughout the oven ensuring even baking and roasting results.



### Auto Recipe™ conversion

Automatically converts standard recipe temperatures to proper convection settings.



### Oven meat probe

Displays the internal temperature and signals when meats are cooked to perfection.

## GE Profile dual-fuel range



### Dual-fuel range

Offers electric convection oven performance with the responsiveness of a gas cooktop.

## Features on GE Profile and GE models



### TrueTemp™ system

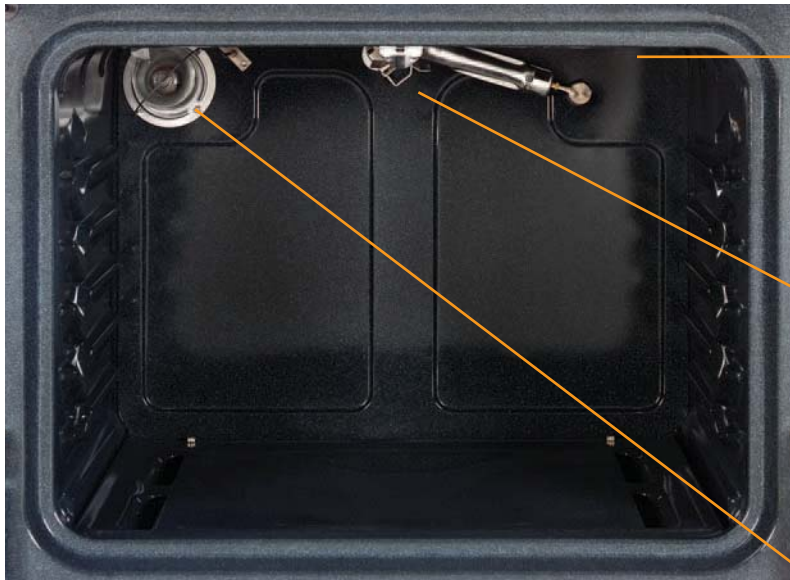
Provides even heat distribution and maximum oven control.



### Certified Sabbath mode

Allows consumers to keep cooked foods warm on the Jewish Sabbath and Jewish holidays.

## GE upper oven interior



### Extra-large 4.8 cu. ft. capacity

Gives consumers the room they need to cook large meals.

### In-oven broiling

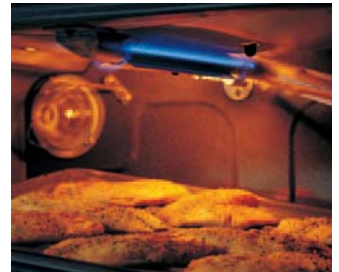
Features a low and high setting for broiling foods inside the oven.

### Interior oven light

Makes viewing of the progress of cooking easy and convenient.

### Two oven racks

Feature a durable construction to help accommodate any size or type of cookware.



### Six embossed rack positions

Allows consumers to take full advantage of the oven capacity and adjust racks for oversized cookware.



### Self-clean oven

Conveniently cleans the oven without the need for scrubbing.

# The inside story: GE Profile™ and GE® free-standing gas and dual-fuel ranges

## Lower oven interior



An additional 1.0 cu. ft. capacity adds a second oven to bake at a separate temperature.

### The maximum in cooking versatility



#### Bake

150° to 450° baking makes it ideal for side dishes, breads or casseroles.



#### Warm

Prepared foods can stay warm and ready to serve.



#### Store

Cookware can be stored when the lower oven is not in use.



#### Removable drawer liner

Provides additional convenience for quick and easy cleaning.



#### Full-extension drawer

Allows users to pull out the drawer to the fullest length for effortless loading, unloading and cleaning.



#### Dual element bake

Upper and lower elements provide even heating and optimal results.

## Warming drawer interior



### Multiple settings

Provide added convenience with low, medium and high.



### Warming capability

Helps keep meals coordinated, warm and ready for the table.



### Storage space

Allows cookware to be placed in one organized location.

## Dare to compare

### Capacity



**GE Profile™ double oven ranges**

- Cooking BIG in the 5.0 cu. ft. capacity oven is easy—room enough for six pieces of cookware
- Shown in the GE Profile oven:
  - two 2.5 qt. casseroles
  - 1.5 qt. casserole
  - 1.8 qt. casserole
  - 7 qt. french oven
  - large roasting pan
- **GE delivers all the cooking capacity you will ever need**



**Maytag® Gemini**

- The same six pieces of cookware won't fit into the Maytag 4.0 cu. ft. main oven because it is 25% smaller than the GE Profile oven
- In this example, the Gemini oven is so small that even the 7 qt. french oven, 1.5 qt. casserole dish and 1.8 qt. casserole dish won't fit into the oven at the same time as the other cookware
- **Gemini delivers less than GE**



## Oven placement



**GE Profile double oven ranges**

- Large, heavy, hot roasting pans are NO problem
- Cooking BIG in the 5.0 cu. ft. capacity oven is easy
- Handling big, heavy pans is easy because the food is closer to the cooktop or countertop
- **GE delivers all the cooking convenience you will ever need**



**Maytag Gemini**

- Large, heavy, hot roasting pans are a BIG problem
- Floor level positioning requires constant bending and stooping, making lifting heavy items a pain.
- **Gemini delivers less than GE**

## Dare to compare

### 5th burner performance/versatility



GE Profile™ double oven ranges

- GE Profile 5-burner gas ranges are designed to use the entire cooktop, providing ample cooking space
- Shown on the GE Profile cooktop:
  - two 4 qt. sauce pans
  - 3 qt. sauce pan
  - 3 qt. saute pan
  - 8 qt. stock pot
- **GE delivers all the cooking capacity you will ever need**



Maytag® Gemini

- Gemini has a tiny 5th burner on a cooktop that is too crowded
- Room required for cooking is needed to accommodate the controls
- In this example, the 8 qt. stock pot won't fit on the Gemini cooktop at the same time as the other cookware
- **Gemini delivers less than GE**



GE Profile double oven ranges

- GE Profile 5-burner gas ranges are designed to use a griddle over the very large center oval burner and the griddle is included with every 5-burner gas range
- Shown on the GE Profile cooktop:
  - two 4 qt. sauce pans
  - 3 qt. sauce pan
  - 3 qt. saute pan
  - griddle
- **GE delivers all the cooking capability you will ever need**



Maytag Gemini

- Gemini has a tiny 5th burner on a cooktop that is already too small
- Maytag Gemini does not include a griddle with their range
- Using a typical griddle (available at department stores) leaves only two burners available
- In this example, two 4 qt. pans won't fit on the cooktop at the same time as the other cookware
- **Gemini delivers less than GE**

Claim P.O.P.



Pub. No. 3-D451



Model JGBP85  
Pub. No. 3-D104



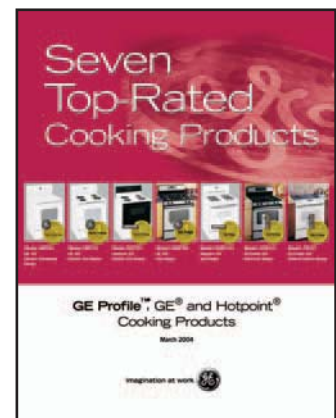
Pub. No. 3-D431



Model J2B915  
Pub. No. 3-D104



Pub. No. 3-D241



Top-rated cooking products merchandiser  
Pub. No. 3-D104

## Show and tell



### Lower oven demo

- Plug in range to any standard 120-volt outlet.
- Remove all use and care, installation instructions, etc., from the upper and lower ovens.
- Place two 9 x 13 casserole dishes in the lower oven on the baking rack.
- Show the consumer the huge 5.0 cu. ft. upper oven, point to the graphic on the backsplash "Double Oven Range." Show them the knob control for the oven and tell them it is an electric oven that bakes from 150 to 450 degrees. Then pull open the lower oven.
- Tell the consumer that this range has two ovens. Both ovens can be used at the same time to cook two different dishes at different temperatures. Lift out the casserole dish and hand it to the customer and tell them the lower oven is ideal for a 9 x 13 casserole, as well as pies, cookies, rolls, biscuits, muffins, and pizza.
- Lift out the lower oven liner to show them it can be removed for easy cleaning.



### Griddle demo

- Show the consumer that the cooktop has five burners, two all-purpose burners, one high temperature PowerBoil™ burner, one small Precise simmer burner and GE's exclusive large oval center burner.
- Explain that pans can be used on any of the five burners using the center grate.
- Remove the center grate and replace it with the customer-engineered non-stick griddle. Point out that the burner and griddle were designed for each other.
- Tell them the griddle is ideal for eggs, bacon, sausage, pancakes, grilled sandwiches, warming tortillas, and many other uses.
- Point out how much more useful this cooktop design is than traditional five-burner gas range cooktops.
- Tell them GE includes the griddle at no charge.
- Cookware shown: (2) 4 qt. sauce pans, 3 qt. sauce pan, 3 qt. saute pan and griddle.



Sales demo mode

- Plug the range into any standard 120 volt outlet.
- Remove all tape, plastic and paper from inside the oven (just in case the oven control is left on bake or broil which can activate the glowbar igniter).
- Press and hold both the BAKE and BROIL pads at the same time, hold until SF appears in the display.
- Then, at the same time, touch the CLOCK and KITCHEN TIMER pads.
- The control will then continuously scroll through each oven function.
- To end the sales display mode touch the START pad.

**With the range plugged in, the following can be demonstrated:**

- Oven Light & the Big ClearView™ Window
- Digital time and temperature displays
- Hi/Lo broil settings
- Variable self clean time
- Automatic self clean door latch
- Convection bake control setting fan operates
- Convection roast control setting fan operates
- Reminder timer



Tubular free-standing display

Designed to display a free-standing range and an Advantium™ or Spacemaker® microwave oven.  
72-1/2"H x 32-1/4"W x 25"D  
Pub. No. 4-D001



Free-standing or slide-in/drop-in display

Designed to display a free-standing, slide-in or drop-in range and an Advantium or Spacemaker microwave oven.  
82"H x 44"W x 26-3/4"D  
Pub. No. 3-D131

# Free-standing gas and dual-fuel ranges

Available new models



GE Profile™  
30" free-standing double-oven  
gas range  
JGB928

- Profile appearance
- Gas convection bake/roast
- Extra-large, self-clean oven
- **Gas on glass ceramic cooktop**
- Lower oven
- Power Boil™ 15,000 BTU burner
- QuickSet VI glass touch controls\*
- Precise Simmer burner
- Continuous dishwasher-safe grates
- Sealed cooktop burners
- TrueTemp™ system
- Big ClearView™ window



GE Profile  
30" free-standing double-oven  
gas range  
JGB918

- Profile appearance
- Gas convection bake/roast
- Extra-large, self-clean oven
- Center oval burner
- Non-stick griddle
- **Lower oven**
- Deep recessed cooktop
- QuickSet VI glass touch controls\*
- PowerBoil 17,000 BTU burner
- Precise Simmer burner
- Continuous dishwasher-safe grates
- Sealed cooktop burners

GE Profile  
30" free-standing dual-fuel  
double-oven gas range  
J2B918

Similar features as JGB918, except it has an **electric convection oven**



GE Profile  
30" free-standing gas range  
JGB916

- Profile appearance
- **Gas convection bake/roast**
- Extra-large, self-clean oven
- Center oval burner
- Non-stick griddle
- Deep recessed cooktop
- **QuickSet VI glass touch controls\***
- PowerBoil 17,000 BTU burner
- Precise Simmer burner
- Warming drawer
- Continuous dishwasher-safe grates

*\*Traditional QuickSet VI controls on stainless models.  
Not all features available on all models.*



GE Profile  
30" free-standing gas range  
JGB908

- Profile appearance
- Extra-large, self-clean oven
- Deep recessed cooktop
- **Center oval burner**
- **Non-stick griddle**
- **PowerBoil 17,000 BTU burner**
- **Warming drawer**
- QuickSet V controls
- Precise Simmer burner
- Continuous dishwasher-safe grates
- Sealed cooktop burners



GE Profile  
30" free-standing gas range  
JGB900

- **Profile appearance**
- Extra-large, self-clean oven
- Deep recessed cooktop
- PowerBoil 15,000 BTU burner
- Precise Simmer burner
- Medium cast grates
- QuickSet V controls
- Two oven racks
- Continuous dishwasher-safe grates



GE®  
30" free-standing gas range  
JGBP88

- Extra-large, self-clean oven
- Deep recessed cooktop
- Center oval burner
- Non-stick griddle
- PowerBoil 16,000 BTU burner
- Warming drawer
- QuickSet V controls
- Precise Simmer burner
- Continuous dishwasher-safe grates
- Sealed cooktop burners



### Engaging Style

**Deep recessed cooktop with continuous grates** incorporate modern styling and heavy-duty construction to create a cooktop with a high-end appearance that's impressive and practical.



### Easy Cleanability

**Sealed burners, self-clean oven and glass touch controls** are specifically designed to make cleaning incredibly quick and easy, helping users maintain the attractive appearance of the range while ensuring performance.



### Advanced Technology

**Large capacity oven, PowerBoil™ 17,000 BTU and Precise Simmer** offers high-performance capabilities to help cooks do more at once – saving time in the kitchen, offering customized control and creating ideal results.





# cooktops

New product introductions 2005  
GE Profile™ and GE® gas and electric cooktops



imagination at work



## GE Profile™ gas cooktops quick pitch

The maximum in cooking performance and versatility.



### Engaging Style

**Enhanced cooktop surface with continuous grates and heavy-duty die-cast knobs** features a smooth and clean design to provide a seamless appearance that is universally attractive, durable and professional.



### Easy Cleanability

**Deep recessed or gas-on-glass cooktops with dishwasher-safe grates and knobs** create a cooking environment that is not only functional, but also easy to clean and maintain.



### Extraordinary Versatility

**Power Boil™ and Precise Simmer burners** offer high-performance capabilities to do more at once.



## What's new: More of what consumers want

The maximum in cooking performance and flexibility.



### Dual-flame stacked burner

- Unique design combines two burners in one!
- PowerBoil™ burner with 18,000 BTUs for accelerated boiling
- Precise simmer for gentle 140° simmering
- The ultimate in convenience – takes the guesswork out of cooking
- Available on JGP975/JGP945



### Control lock capability

- Locks the cooktop controls and shuts off the gas
- Helps prevent unintended activation
- “Locked” reminder light
- Immediately turns every burner off
- Audible alarm sounds if burner activation is attempted when in the locked position
- Available on JGP975/JGP970/JGP945/JGP940



### Simmer option

- New simmer option maintains 140° temperature
- “Simmer” is incorporated on the control graphics
- Available on JGP975/JGP970/JGP945/JGP940

*Not all features available on all models.*



### Heavy-duty die-cast knobs (stainless steel models only)

- Robust construction for long-lasting durability
- Brushed chrome finish enhances overall stainless appearance
- Available on JGP975SEKSS/JGP970SEKSS/JGP945SEKSS/JGP940SEKSS



### Curved front appearance

- New design provides a smooth and seamless look
- Complements other GE Profile™ appliances
- Available on JGP970/JGP940

### Profile grates and graphic design

- Continuous grates provide practical cooking convenience
- Simplified graphics deliver a clean and elegant appearance



### Dishwasher safe grates and knobs

- All sealed burner cooktops have dishwasher safe grates
- All cooktops have dishwasher safe knobs

## Feature gallery: GE Profile™ 36" and 30" gas cooktops



### Deep recessed cooktop

Helps contain spills and make cleaning easy.



### Continuous grates

Allow for easy movement of pans between burners.



Only GE has it!

### Control lock capability

Shuts off gas to prevent unintended activation.



### Upfront controls (36" models only)

Provide access at the center of the cooktop for quick and easy reach.



### Sealed cooktop burners

Contain spills and make cleaning quick and easy.



### Dishwasher-safe grates

Feature durable construction for worry-free and effortless cleaning and maintenance. Available on all gas cooktops.





GE Profile model JGP975

**Precise simmer burner**

Delivers a low setting of 140°, ideal for delicate foods and sauces.



**Dual-flame stacked burner**

Features a unique two-in-one burner design for 18,000 BTU boiling or gentle 140° simmering.



**All-purpose burners**

Provide a powerful 11,000 BTU burner output for efficient heat-up and sautéing.



**Heavy-duty die-cast knobs\***

Add durability and brushed chrome for enhanced style and performance.



**Dishwasher-safe knobs**

Feature a robust construction for safe and easy cleaning. Available on all gas cooktops.



**Gas-on-glass cooktop**

Features a frameless surface that is easy to clean.



\*Available on JGP975SEKSS/JGP970SEKSS/JGP945SEKSS/JGP940SEKSS

# GE Profile™ and GE® 36" and 30" gas cooktops

Available new models

## GE Profile 36" gas cooktops



### JGP975

- Deep recessed cooktop
- Sealed cooktop burners
- Control lock capability
- **Dual-flame stacked 18,000 BTU burner**
- All-purpose burners
- Precise simmer burner
- Continuous grates
- **Heavy-duty die-cast knobs on stainless model**
- Dishwasher-safe grates and knobs



### JGP970

- **Gas on glass cooktop**
- Sealed cooktop burners
- PowerBoil™ 15,000 BTU burner
- All-purpose burners
- Precise simmer burner
- Continuous grates
- Dishwasher safe grates and knobs
- **Control lock capability**
- **Heavy-duty die-cast knobs on stainless model**
- **Curved front appearance**

## GE Profile 30" gas cooktops



### JGP945

- Deep recessed cooktop
- Sealed cooktop burners
- Control lock capability
- **Dual-flame stacked 18,000 BTU burner**
- All-purpose burners
- Precise simmer burner
- Continuous grates
- **Heavy-duty die-cast knobs on stainless model**
- Dishwasher-safe grates and knobs



### JGP940

- **Gas on glass cooktop**
- Sealed cooktop burners
- PowerBoil 15,000 BTU burner
- All-purpose burners
- Precise simmer burner
- Continuous grates
- Dishwasher-safe grates and knobs
- **Control lock capability**
- **Heavy-duty die-cast knobs on stainless model**
- **Curved front appearance**





JGP963

- Deep recessed cooktop
- Sealed cooktop burners
- PowerBoil 15,000 BTU burner
- All-purpose burners
- Precise simmer burner
- Continuous grates
- Dishwasher safe grates and knobs

GE 36" gas cooktop



JGP630

- Deep recessed cooktop
- **Fifth burner**
- Sealed cooktop burners
- All-purpose burners
- Precise simmer burner
- Continuous grates
- Dishwasher safe grates and knobs
- Medium cast-iron grates



JGP933

- Deep recessed cooktop
- Sealed cooktop burners
- PowerBoil 15,000 BTU burner
- Precise simmer burner
- All-purpose burners
- Continuous grates
- Dishwasher-safe grates and knobs

GE 30" gas cooktop



JGP330

- Deep recessed cooktop
- Sealed cooktop burners
- All-purpose burners
- Precise simmer burner
- Continuous grates
- Dishwasher safe grates and knobs
- Medium cast-iron grates



## GE Profile™ electric cooktops quick pitch

The maximum in cooking performance and versatility.



### Engaging Style

**Enhanced cooktop surface with a curved front edge and heavy-duty die-cast knobs** features a smooth and clean design to provide a seamless appearance that is universally attractive and durable.



### Easy Cleanability

**Ceramic glass cooktop with dishwasher-safe knobs** create a cooking environment that is not only functional, but also easy to clean and maintain.



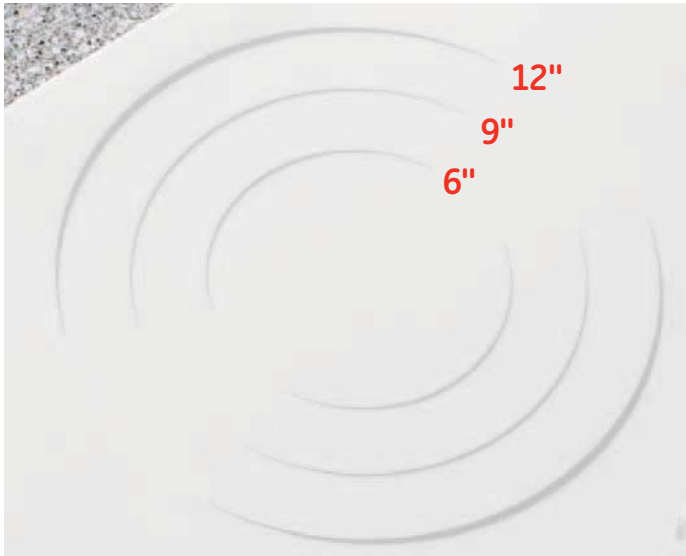
### Extraordinary Versatility

**12"/9"/6" Tri-ring and 6"/9" dual elements** provide multiple cooking areas in one to accommodate various-sized pots or pans. Users can customize the heating element to meet their needs, helping maximize performance and produce ideal results.



## What's new: More of what consumers want

The maximum in cooking performance and flexibility.



### 12"/9"/6" tri-ring element

- Three cooking areas in one element
- 3,000 watt element
- Accommodates various-sized pots and pans
- The ultimate in versatile convenience
- Available on JP970



### Melt and simmer options

- New melt option maintains 110° temperature
- "Melt" and "simmer" are incorporated on the control graphics
- Available on JP970/JP940



### Control lock capability

- Now on more models!
- Locks the cooktop controls
- Helps prevent unintended activation
- All GE Profile™ models: JP980/JP970/JP960/JP950/JP940/JP930/JP910

*Not all features available on all models.*



### Heavy-duty die-cast knobs (stainless steel models only)

- Robust construction for long-lasting durability
- Brushed chrome finish enhances overall stainless appearance
- Available on JP970SKSS/JP940SKSS



### GE Profile element and graphic design

- Reduced speckle on cooktop pattern
- Simplified graphics complements clean and elegant appearance



### Curved front appearance

- New design provides a smooth and seamless look
- Complements other GE Profile appliances
- All GE Profile models: JP980/JP970/JP960/JP950/JP940/JP930/JP910

## Feature gallery: GE Profile™ 36" and 30" electric cooktops



### Frameless ceramic glass cooktop

Provides a clean and seamless design to make cleaning quick and easy.



### 12"/9"/6" tri-ring element

Accommodates various-sized pots or pans for the ultimate in cooking versatility.



### Ribbon heating elements

Provide powerful heat beneath a smooth glass surface to ensure even heat and fast warm-up times.



### Control lock capability

Provides the ability to lock the cooktop's controls, helping protect from unintended activation.



### Dishwasher-safe knobs

Feature a robust construction for safe and easy cleaning.



### Heavy-duty die-cast knobs\*

Add durability and brushed chrome for enhanced style and performance.





GE Profile model JP970

**Melt option**

Maintains the optimal 110° temperature for melting delicate foods like chocolate or butter—eliminating the guesswork.



**Adjustable elements**

Offers a convenient choice of using a 6"/9" or 5"/8" heating element, depending on the size of the pan.



**Upfront controls (36" models only)**

Provide access at the center of the cooktop for quick and easy reach.



**Hot surface indicator lights**

Illuminates when the cooking surface is active or hot, adding convenience and safe caution.



**Simmer option**

Delivers the ideal 140° temperature for the gentle simmering of foods like soups or sauces.



**Bridge element**

Combines two elements into one large cooking surface.



\*Available on JP970SKSS/JP940SKSS only

## Feature gallery: GE Profile™ digital electric cooktop



### Electronic touch controls

Replaces traditional dial controls with digital buttons that are precise and easy-to-use.



### Precise Digital Control System™

Delivers accurate temperature control on the cooktop ensuring even heating and less temperature variation.



### Frameless ceramic glass cooktop

A smooth cooktop surface makes cleaning quick and easy.



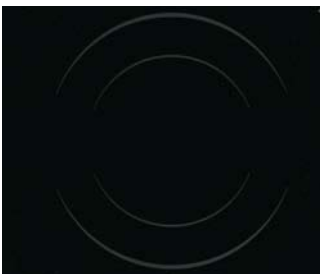
### Electronic kitchen timer

Provides convenient notification to help coordinate meal preparation and cooking times.



### Pan presence sensors

All elements detect when a burner element is left "on" and automatically shut off when not in use.



### Adjustable elements

Offers a convenient choice of using a 6"/9" or 5"/8" heating element, depending on the size of the pan.







GE Profile model JP980

**Warming capability**

Provides low heat capability for foods, making meal coordination simple.



**Pan size sensor**

Automatically adjusts the heating element to the size of the pan.



**Control lock capability**

Provides the ability to lock the cooktop's controls, helping protect from unintended activation.



**Upfront controls (only on 36" models)**

Controls are placed within easy reach at the front center of the cooktop.



**Hot surface indicator lights**

Illuminates when the cooking surface is hot, adding convenience and safe caution.



**Heating element "ON" light**

Illuminates when the cooking surface is activated.



# GE Profile™ 36" and 30" electric cooktops

Available new models

## GE Profile 36" electric cooktops



**JP980**

- **Electronic touch controls**
- **Precise Digital Control System™**
- Frameless ceramic glass cooktop
- **Pan presence sensors**
- **Pan size sensors**
- Ribbon heating elements
- 6"/9" dual element
- 5"/8" dual element
- Control lock capability



**JP970**

- Ceramic glass cooktop
- Ribbon heating elements
- **12"/9"/6" tri-ring element**
- 6"/9" dual element
- Frameless design
- Upfront controls
- Control lock capability
- **Heavy-duty die-cast knobs on stainless model**
- **Melt and Simmer options**

## GE Profile 30" electric cooktops



**JP950**

- **Electronic touch controls**
- **Precise Digital Control System**
- Frameless ceramic glass cooktop
- **Pan presence sensors**
- **Pan size sensors**
- Ribbon heating elements
- 6"/9" dual element
- 5"/8" dual element
- Control lock capability



**JP940**

- Ceramic glass cooktop
- Ribbon heating elements
- 6"/9" dual element
- 5"/8" dual element
- Frameless design
- Hot surface indicator lights
- Control lock capability
- **Heavy-duty die-cast knobs on stainless model**
- **Melt and Simmer options**



JP960

- Ceramic glass cooktop
- Ribbon heating elements
- Bridge element
- 6"/9" dual element
- Frameless design
- Upfront controls
- Control lock capability



JP930

- Ceramic glass cooktop
- Ribbon heating elements
- **Bridge element**
- 6"/9" dual element
- Frameless design
- Hot surface indicator lights
- Control lock capability



JP910

- Ceramic glass cooktop
- Ribbon heating elements
- 6"/9" dual element
- Frameless design
- Hot surface indicator lights
- Control lock capability

## Show and tell

### GE Profile™ gas cooktops



#### Dual-flame stacked burner

- Have a qualified technician hook-up the GE Profile cooktop to either natural gas or LP according to all installation instructions.
- When selling to the consumer turn the knob to light the burner, then to the highest temperature setting.
- Show them both the upper and lower rings of flame.
- Explain that this is a very powerful 18,000 BTU burner ideal for fast boiling, frying and wok cooking.
- Now turn burner to lowest setting.
- This demonstrates that the upper ring of flame disappears and only the very small, lower ring of flame remains.
- Explain that this is 2 burners in 1. High-power, high-heat and a gentle low-heat burner ideal for delicate sauces, low 140° cooking. The same gentle, low-heat delivered by the Precise simmer burner.

Only GE has it!



#### Control lock capability

- Have a qualified technician hook-up a GE Profile gas or electric cooktop according to all installation instructions.
- Have the consumer turn on any cooktop burner. Then have them turn the control lock knob to the locked position.
- Explain that control lock immediately turns every burner off. Tell them the buzzing noise is a reminder that the cooktop is locked AND one or more burner knobs are turned on.
- Turn off the knob that is on and the warning buzzer stops. Show them that when the cooktop is locked and any burner is turned on the buzzer will sound.
- Point out the "Locked" reminder light by the control lock knob.

## GE Profile electric cooktops



### 12"/9"/6" tri-ring element

- Have a qualified technician hook-up the GE Profile electric cooktop according to all installation instructions.
- Have the consumer turn on the large tri-ring element. Explain to them it is three elements in one—12", 9" or 6".
- Then have them turn the selector knob to see the change in the size of the heated surface. Tell them that the 12" element will accommodate pans up to 14" in diameter.
- Show them the second adjustable 5"/8" dual element and that it operates the same way.



### Pan presence sensor

- Have a qualified technician hook-up the GE Profile electric cooktop according to all installation instructions. You will need at least one large metal pan 9 to 10 inches in diameter.
- (Option – order 120 volt demo cord kit pub # 3-A050)
- Turn on any element. Look at the "PAN SENSOR" pad. If the red light does not glow beside pad touch the "PAN SENSOR" pad to activate the sensors.
- Have the consumer turn on any element and touch the "+" pad for that element.
- Show them that the "H", for high, flashes until a pan is placed on the element. Remove the pan and show them that the "H" starts to flash again.
- Explain that if the pan is not returned to the element the cooktop will turn that element off in approximately 70-80 seconds. All the elements have the pan presence sensor. Explain that the two large adjustable size elements will automatically change the size of the heated area if a very small or very large pan is placed on those elements.

## Show and tell



### Five-unit cooktop display

Offers the convenience of displaying five cooktops in a single display. Designed to display:

- Four 30" cooktops
- One 36" cooktop

82"H x 43-1/2"W x 27-7/8"D

Pub. No. 3-D001



### 30" wall oven display

Show the versatility of the 30" wall oven with an undercounter installation.

Designed to display:

- 30" single oven
- 30" cooktop and an Advantium or Spacemaker microwave oven

82"H x 44"W x 26-3/4"D

Pub. No. 3-D081



### Down-draft cooktop display

Designed to display:

-Electric or gas down-draft cooktop

37-3/4"H x 48"W x 27"D

Pub. No. 3-D150



### Electric cooktop demo cord kit

Provides power to all controls, but will not energize heating elements. Kit contains one cord, wire nuts, electrical tape and instructions.

For use with JP980 and JP950 only.

Pub. No. 3-A050

## GE Profile™ gas cooktop



### Engaging Style

Enhanced cooktop surface with **continuous grates and heavy-duty die-cast knobs** features a smooth and clean design to provide a seamless appearance that is universally attractive, durable and professional.

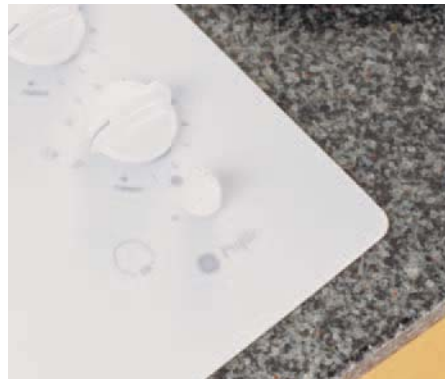
### Easy Cleanability

Deep recessed or gas-on-glass cooktops with **dishwasher-safe gates and knobs** create a cooking environment that is not only functional, but also easy to clean and maintain.

### Extraordinary Versatility

**Power Boil™ and Precise Simmer burners** offer high-performance capabilities to do more at once.

## GE Profile electric cooktop



### Engaging Style

Enhanced cooktop surface with **a curved front edge and heavy-duty die-cast knobs** features a smooth and clean design to provide a seamless appearance that is universally attractive and durable.

### Easy Cleanability

Ceramic glass cooktop with **dishwasher-safe knobs** create a cooking environment that is not only functional, but also easy to clean and maintain.

### Extraordinary Versatility

**12"/9"/6" Tri-ring and 6"/9" dual elements** provide multiple cooking areas in one to accommodate various-sized pots or pans. Users can customize the heating element to meet their needs, helping maximize performance and produce ideal results.



# 30" self-clean gas ranges

	GE Profile™						GE				
	Sealed burner models						Dual-fuel model	Sealed burner models			
	JGB928SEK JGB928TEK JGB928KEK JGB928BEK	JGB918SEK JGB918WEK JGB918CEK JGB918BEK	JGB916SEK JGB916WEK JGB916CEK JGB916BEK	JGB908SEK JGB908WEK JGB908CEK JGB908BEK	JGB900SEK JGB900WEF JGB900CEF JGB900BEF	J2B918SEK J2B918WEK J2B918CEK J2B918BEK	JGBP90MEH	JGBP88SEK JGBP88WEK JGBP88CEK JGBP88BEK	JGBP85SEJ JGBP85WEJ JGBP85CEJ JGBP85BEJ	JGBP36SEJ JGBP36WEJ JGBP36CEJ JGBP36BEJ	
<b>Capacity</b>											
Upper oven capacity	Super-large 5.0 cu. ft.	Super-large 5.0 cu. ft.	Super-large 5.0 cu. ft.	Super-large 5.0 cu. ft.	Super-large 5.0 cu. ft.	Super-large 5.0 cu. ft.	Extra-large 4.8 cu. ft.	Super-large 5.0 cu. ft.	Extra-large 4.8 cu. ft.	Extra-large 4.8 cu. ft.	
Lower oven capacity	1.0 cu. ft.	1.0 cu. ft.				1.0 cu. ft.					
<b>Features</b>											
Oven cleaning	Self-clean	Self-clean	Self-clean	Self-clean	Self-clean	Self-clean	Self-clean	Self-clean	Self-clean	Self-clean	
Gas on glass ceramic cooktop	Black True white True bisque Black										
Deep recessed porcelain cooktop		●	●	●	●	●		●	●	●	
Cooktop burners	Sealed	Sealed	Sealed	Sealed	Sealed	Sealed	Sealed	Sealed	Sealed	Sealed	
Power Boil™ burner (Nat.)	(1) 15,000 BTU/ 180° Simmer	(1) 17,000 BTU/ 160° Simmer	(1) 17,000 BTU/ 160° Simmer	(1) 17,000 BTU/ 160° Simmer	(1) 15,000 BTU/ 180° Simmer	(1) 17,000 BTU/ 160° Simmer		(1) 16,000 BTU/ 160° Simmer	(1) 15,000 BTU/ 180° Simmer	(1) 15,000 BTU/ 180° Simmer	
Precise simmer burner (Nat.)	(1) 5,000 BTU/ 140° Simmer	(1) 5,000 BTU/ 140° Simmer	(1) 5,000 BTU/ 140° Simmer	(1) 5,000 BTU/ 140° Simmer	(1) 5,000 BTU/ 140° Simmer	(1) 5,000 BTU/ 140° Simmer	(1) 5,000/600 BTU	(1) 5,000 BTU/ 140° Simmer	(1) 5,000 BTU/ 140° Simmer	(1) 5,000 BTU/ 140° Simmer	
All-purpose burners (Nat.)	(1) 11,000 BTU/ 150° Simmer; (1) 9,100 BTU/ 150° Simmer	(1) 11,000 BTU/ 150° Simmer; (1) 9,100 BTU/ 150° Simmer	(1) 11,000 BTU/ 150° Simmer; (1) 9,100 BTU/ 150° Simmer	(1) 11,000 BTU/ 150° Simmer; (1) 9,100 BTU/ 150° Simmer	(1) 11,000 BTU/ 150° Simmer; (1) 9,100 BTU/ 150° Simmer	(1) 11,000 BTU/ 150° Simmer; (1) 9,100 BTU/ 150° Simmer	(2) 12,000/ 1,000 BTU; (1) 9,500/850 BTU	(1) 11,000 BTU/ 150° Simmer; (1) 9,100 BTU/ 150° Simmer	(1) 11,000 BTU/ 150° Simmer; (1) 9,100 BTU/ 150° Simmer	(1) 11,000 BTU/ 150° Simmer; (1) 9,100 BTU/ 150° Simmer	
Center oval burner		(1) 6,000 BTU	(1) 6,000 BTU	(1) 6,000 BTU		(1) 6,000 BTU		(1) 6,000 BTU			
Non-stick griddle		Included	Included	Included		Included		Included			
Valves (degree of turn)	270	270	270	270	270	270	270	270	270	270	
TrueTemp™ system	●	●	●	●	●	●	●	●	●	●	
Convection bake/roast						Electric					
QuickSet oven controls	QuickSet VI glass touch†	QuickSet VI glass touch†	QuickSet VI glass touch†	QuickSet V	QuickSet V	QuickSet VI glass touch†	QuickSet V	QuickSet V	QuickSet V	QuickSet IV	
Auto self-clean	●	●	●	●	●	●	●	●	●	●	
Electronic oven control	●	●	●	●	●	●	●	●	●	●	
Hi/Low broil	●	●	●	●	●	●	●	●	●	●	
Electronic clock and timer	●	●	●	●	●	●	●	●	●	●	
Automatic oven timer	●	●	●	●	●	●	●	●	●	●	
Audible preheat signal	●	●	●	●	●	●	●	●	●	●	
Oven meat probe	●	●	●	●	●	●	●	●	●	●	
Auto oven shut-off	●	●	●	●	●	●	●	●	●	●	
Certified Sabbath mode	●	●	●	●	●	●	●	●	●	●	
Auto Recipe™ conversion	●	●	●	●	●	●	●	●	●	●	
Control lock capability	●	●	●	●	●	●	●	●	●	●	
One-piece upswept cooktop	Porc.-enam.	Porc.-enam.	Porc.-enam.	Porc.-enam.	Porc.-enam.	Porc.-enam.	Porc.-enam.	Porc.-enam.	Porc.-enam.	Porc.-enam.	
Removable grates	Matte black hvy.-cast Grey hvy.-cast Taupe hvy.-cast Black hvy.-cast	Matte black hvy.-cast Grey hvy.-cast Taupe hvy.-cast Black hvy.-cast	Matte black hvy.-cast Grey hvy.-cast Taupe hvy.-cast Black hvy.-cast	Matte black hvy.-cast Grey hvy.-cast Taupe hvy.-cast Black hvy.-cast	Matte black hvy.-cast Grey hvy.-cast Taupe hvy.-cast Black hvy.-cast	Matte black hvy.-cast Grey hvy.-cast Taupe hvy.-cast Black hvy.-cast	Matte black hvy.-cast Grey hvy.-cast Taupe hvy.-cast Black hvy.-cast	Matte black hvy.-cast Grey hvy.-cast Taupe hvy.-cast Black hvy.-cast	Matte black hvy.-cast Grey hvy.-cast Taupe hvy.-cast Black hvy.-cast	Matte black med.-cast Grey med.-cast Taupe medium-cast Black medium-cast	
Continuous grates	Dishwasher-safe	Dishwasher-safe	Dishwasher-safe	Dishwasher-safe	Dishwasher-safe	Dishwasher-safe	●	Dishwasher-safe	Dishwasher-safe	Dishwasher-safe	
Ignition system	Electronic	Electronic	Electronic	Electronic	Electronic	Electronic	Electronic	Electronic	Electronic	Electronic	
Lower oven	●	●				●					
Dual element bake	150°-450°	150°-450°				150°-450°					
Removable drawer liner	●	●				●					
Warming drawer			150°-220°	150°-220°	150°-220°		150°-220°	150°-220°	150°-220°		
Oven racks	3	3	2	2	2	3	2	2	2	3	
Six embossed rack positions	●	●	●	●	●	●	●	●	●	●	
Broiler pan	●	●	●	●	●	●	●	●	●	●	
Scratch-resistant backguard	Stainless steel Glass	Stainless steel Glass	Stainless steel Glass	Stainless steel Porc.-enam.	Stainless steel Porc.-enam.	Stainless steel Glass	Soft stainless	Stainless steel Porc.-enam.	Stainless steel Porc.-enam.	Porc.-enam.	
Interior oven light	●	●	●	●	●	●	●	●	●	●	
In-oven broiling	●	●	●	●	●	●	●	●	●	●	
<b>Appearance</b>											
Color appearance*	SS/WW/CC/BB	SS/WW/CC/BB	SS/WW/CC/BB	SS/WW/CC/BB	SS/WW/CC/BB	SS/WW/CC/BB	BC	SS/WW/CC/BB	SS/WW/CC/BB	SS/WW/CC/BB	
Frameless oven door	Stainless steel White glass Bisque glass Black glass	Stainless steel White glass Bisque glass Black glass	Stainless steel White glass Bisque glass Black glass	Stainless steel White glass Bisque glass Black glass	Stainless steel White glass Bisque glass Black glass	Stainless steel White glass Bisque glass Black glass	Soft stainless	Stainless steel White glass Bisque glass Black glass	Stainless steel White glass Bisque glass Black glass	Stainless steel White glass Bisque glass Black glass	
Oven door with window	Big ClearView™	Big ClearView	Big ClearView	Big ClearView	Big ClearView	Big ClearView	Big ClearView	Big ClearView	Big ClearView	Big ClearView	
Oven door handle	Sculptured	Sculptured	Sculptured	Sculptured	Sculptured	Sculptured	Professional-style	Designer-style	Designer-style	Designer-style	
<b>Weights &amp; Dimensions</b>											
Overall oven interior dims. (WxHxD in inches)	24 x 19 x 19	24 x 19 x 19	24 x 19 x 19	24 x 19 x 19	24 x 19 x 19	24 x 19 x 19	24 x 18.5 x 19	24 x 19 x 19	24 x 18.5 x 19	24 x 18.5 x 19	
Approx. shipping weight (lbs.)	250	235	245	235	220	235	230	220	220	210	
<b>Power/Ratings</b>											
Top burners (000's BTU's) Nat/LP	(1) 15.0/11.0 (1) 11.0/9.1 (1) 5.0/5.0 (1) 9.1/9.1	(1) 17.0/11.0 (1) 15.0/11.0 (1) 11.0/9.1 (1) 5.0/5.0 (1) 9.1/9.1	(1) 17.0/11.0 (1) 11.0/9.1 (1) 9.1/8.0 (1) 6.0/6.0 (1) 5.0/4.0	(1) 17.0/11.0 (1) 15.0/11.0 (1) 11.0/9.1 (1) 5.0/5.0 (1) 9.1/9.1	(1) 15.0/11.0 (1) 11.0/9.1 (1) 5.0/5.0 (1) 9.1/9.1	(1) 17.0/11.0 (1) 15.0/11.0 (1) 11.0/9.1 (1) 5.0/5.0 (1) 9.1/9.1	(1) 17.0/11.0 (1) 15.0/11.0 (1) 11.0/9.1 (1) 5.0/5.0 (1) 9.1/9.1	(2) 12.0/11.0 (1) 5.0/5.0 (1) 9.5/9.5	(1) 6.0/6.0 (1) 16.0/11.0 (1) 11.0/10.0 (1) 5.0/5.0 (1) 9.1/9.1	(1) 15.0/11.0 (1) 11.0/10.0 (1) 5.0/5.0 (1) 9.1/9.1	(1) 15.0/11.0 (1) 11.0/10.0 (1) 5.0/5.0 (1) 9.1/9.1
Oven/broiler burners (000's BTU's) Nat/LP	← 16.0/16.0 oven 13.5/12.0 broil →						← 16.0/16.0 oven 12.5/12.0 broil →				
Dual-fuel range electrical rating	← 15A →						208/240V, 60Hz, 40A				
Gas range electrical rating LP conversion kit (includ.)	← 120V, 60Hz, 9A →						120V, 60Hz, 9A	120V, 60Hz, 9A	120V, 60Hz, 9A	120V, 60Hz, 9A	

\*SS = Stainless steel with black accents, BC = Soft stainless with black accents, WW = White with white glass door, CC = Bisque with bisque glass door, BB = Black with black glass door.

† = Stainless steel models feature traditional QuickSet controls.

Factory set for Natural Gas. A set of LP orifices is included with each range for LP conversion.

# 30" self-clean gas ranges (continued)

	GE®			
	Sealed burner models			Standard burner models
	JGBP35SEJ JGBP35WEJ JGBP35CEJ JGBP35BEJ	JGBP33SEH JGBP33WEH JGBP33CEH JGBP33BEH	JGBP28SEJ JGBP28WEJ JGBP28EEJ JGBP28BEJ	JGBP26WEH JGBP26CEH
<b>Capacity</b>	Extra-large 4.8 cu. ft. oven			
<b>Features</b>	Oven cleaning: Self-clean			
	Deep recessed porcelain cooktop			
	Sealed			Standard/Twin
Power Boil™ burner (Nat.)	(1) 15,000 BTU/ 180° Simmer			
Precise simmer burner (Nat.)	(1) 5,000 BTU 140° Simmer	(1) 5,000/600 BTU		
All-purpose burners (Nat./li)	(2) 9,100 BTU/ 150° Simmer	(1) 13,000/1,000 BTU; (2) 9,500/850 BTU	(4) 9,500/850 BTU	(4) 9,100/850 BTU
Valves (degree of turn)	270	270	140	270
TrueTemp™ system	•	•	•	•
Electronic controls	•	•	•	•
QuickSet oven controls	QuickSet IV	QuickSet IV	QuickSet III	QuickSet IV
Auto self-Clean	•	•	•	•
Electronic clock and timer	•	•	•	•
Automatic oven timer	•	•	•	•
Audible preheat signal	•	•	•	•
Auto oven shut-off	•	•	•	•
Certified Sabbath mode	•	•	•	•
One-piece upswept cooktop	Porc.-enam.	Porc.-enam.	Porc.-enam.	Porc.-enam.
Lift-up cooktop	•	•	•	•
Easy-clean subtop	•	•	•	•
Porcelain-enameled one-piece drip pans		Black Grey Taupe Black	Opt. access.	Chrome Chrome
Removable grates	Matte black med.-cast Grey medium-cast Taupe medium-cast Black medium-cast	Black medium-cast Grey medium-cast Taupe medium-cast Black medium-cast	Black std. porc.-steel Grey std. porc.-steel Black std. porc.-steel Black std. porc.-steel	Grey std. porc.-steel Taupe std. porc.-steel
Continuous grates	Dishwasher-safe	•	•	•
Square grates	•	•	•	•
Ignition system	Electronic	Electronic	Electronic	Electronic
Oven racks	2	3	2	2
Six embossed rack positions	•	•	•	•
Broiler pan	•	•	•	•
Scratch-resistant backguard	Porc.-enam.	Porc.-enam.	Porc.-enam.	Porc.-enam.
Interior oven light	•	•	•	•
Storage drawer	•	•	•	•
In-oven broiling	•	•	•	•
<b>Appearance</b>				
Color appearance*	SS/WW/CC/BB	SS/WW/CC/BB	SS/WW/BB/WH/CT	WW/CC
	Stainless steel White glass Bisque glass Black glass	Stainless steel White glass Bisque glass Black glass	Stainless steel White glass Bisque glass Black glass	White glass Bisque glass ClearView
Frameless oven door	•	•	•	•
Oven door with window	•	•	•	•
Designer-style handle	•	•	•	•
<b>Weights &amp; Dimensions</b>				
Overall oven interior dimensions (WxHxD in inches)	24 x 18.5 x 19			
Approx. shipping weight (lbs.)	210	210	210	200
<b>Power/Ratings</b>				
Top burners (000's BTU's) Nat/LP	(1) 15.0/11.0 (1) 5.0/5.0 (2) 9.1/9.1	(1) 13.0/11.0 (1) 5.0/5.0 (2) 9.5/9.5	(4) 9.5/9.5	(4) 9.1/8.0
Oven/broiler burners (000's BTU's) Nat/LP	16.0/16.0 Oven 12.5/12.0 Broil			
Gas range electrical rating	120V, 60Hz, 5A			
LP conversion kit (included)	•	•	•	•

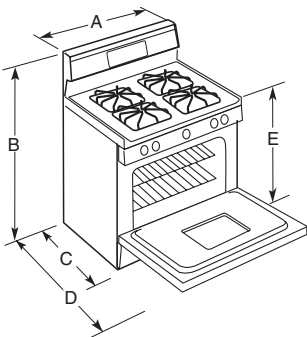
\*SS = Stainless steel with black accents, WW = White with white glass door, CC = Bisque with bisque glass door, BB = Black with black glass door, WH = White with black glass door, CT = Bisque with black glass door.  
Factory set for Natural Gas. A set of LP orifices is included with each range for LP conversion.



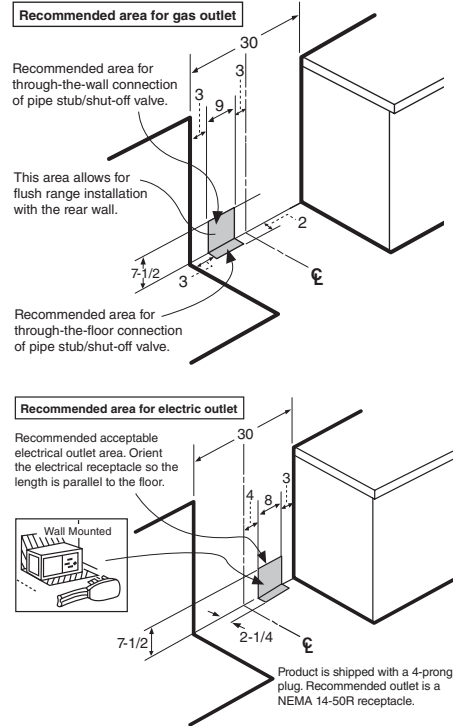
All GE ranges are equipped with an Anti-Tip device. The installation of this device is an important, required step in the installation of the range.

Gas self-clean range anti-tip bracket (part no. 205C1714P001)

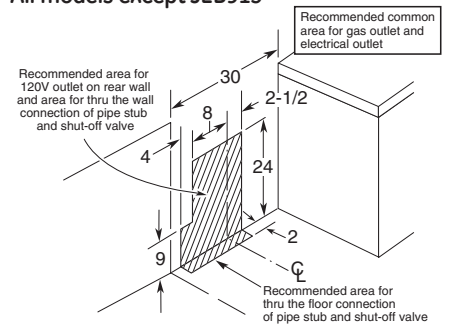
J2B918, JGB928/918/916/908/900, JGBP90/88/85/28/26/24



## Installation information (in inches) Model J2B915



## Installation information (in inches) All models except J2B915



**Optional gas range accessory drip pans for sealed and standard burner models** (Available at additional cost)  
To order these accessory drip pans, call toll-free 800-626-2002.  
**Installation Information:** Before installing, consult installation instructions packed with product for current dimensional data.

## Dimensions (in inches)

Model	A	B	C*	D	E
J2B918	30	47-3/4	26-1/4	46-3/8	36-1/4± 1/4
JGB928	30	47-3/4	26-1/4	46-3/8	36-1/4± 1/4
JGB918	30	47-3/4	26-1/4	46-3/8	36-1/4± 1/4
JGB916	30	47-3/4	26-1/4	46-3/8	36-1/4± 1/4
JGB908	30	47-3/4	26-1/4	46-3/8	36-1/4± 1/4
JGB900	30	47-3/4	26-1/4	46-3/8	36-1/4± 1/4
JGBP90	30	46-7/8	26-1/4	46-3/8	36-1/4± 1/4
JGBP88	30	47-1/2	26-1/4	46-3/8	36-1/4± 1/4
JGBP85	30	47-1/2	26-1/4	46-3/8	36-1/4± 1/4
JGBP36	30	47-1/2	26-1/4	46-3/8	36-1/4± 1/4
JGBP35	30	47-1/2	26-1/4	46-3/8	36-1/4± 1/4
JGBP33	30	46-7/8	26-1/4	46-3/8	36-1/4± 1/4
JGBP28	30	46-7/8	26-1/4	46-3/8	36-1/4± 1/4
JGBP26	30	46-7/8	26-1/4	46-3/8	36-1/4± 1/4
JGBP24	30	46-7/8	26-1/4	46-3/8	36-1/4± 1/4

\*Dimension from wall to front of closed door handle is 29" on models J2B918, JGB928/918/916/908/900, JGBP88/85/36/35 and 28-1/4" on models JGBP90/33/28/26/24. Depth to front edge of cooktop—25-1/4".

# 30" continuous- and standard-clean gas ranges

GE								
Sealed burner models					Standard burner models			
JGBS23SEH JGBS23WEH JGBS23CEH JGBS23BEH		JGBS22BEH	JGBS10WEH JGBS10CEH JGBS10BEH	JGBS09PEH	JGBC20WEH JGBC20CEH	JGBS20WEH JGBS20BEH	JGBS07PEH	JGBS04BEH JGBS04PPH
<b>Capacity</b>								
Extra-large 4.8 cu. ft. oven								
<b>Features</b>								
Oven cleaning	Standard-clean	Standard-clean	Standard-clean	Standard-clean	Cont.-clean	Standard-clean	Standard-clean	Standard-clean
Cooktop burners	Sealed	Sealed	Sealed	Sealed	Std./twin	Std./twin	Std./twin	Std./twin
Precise simmer burner (Nat.)	(1) 5,000/600 BTU							
	(1) 12,000/ 1,000 BTU;							
All-purpose burners (Nat.)	(2) 9,500/850 BTU	(4) 9,500/850 BTU	(1) 8,000/850 BTU (3) 7,000/850 BTU	(1) 8,000/850 BTU (3) 7,000/850 BTU	(4) 9,100/850 BTU	(4) 9,100/850 BTU	(4) 9,100/850 BTU	(4) 9,100/850 BTU
Center oval burner			(1) 6,000/850 BTU	(1) 6,000/850 BTU				
Valves (degree of turn)	270	140	270	270	140	140	140	140
Electronic clock and timer	●	●	● Clock only	●	●	●	●	●
Porcelain-enameled cooktop	One-piece upswept	One-piece upswept	●	●	One-piece upswept	One-piece upswept	●	●
Lift-up cooktop					●	●		●
Easy-clean porcelain-enameled subtop					●	●		●
One-piece drip pans	Black Grey Taupe Black	Opt. access.			Opt. access.	Opt. access.	Opt. access.	Opt. access.
Removable square grates	Deluxe porcelain-steel	Black standard porcelain-steel	Continuous wire	Continuous wire	Grey standard Taupe standard Black standard Porcelain-steel	Grey standard Black standard Porcelain-steel	Grey/Taupe/Black standard porcelain-steel	Black standard Porcelain-steel
Griddle			Non-stick	Non-stick				
Ignition system	Electronic	Electronic	Electronic	Electronic	Electronic	Electronic	Electronic	Electronic Pilot†
Oven racks	2	2	2	1	2	2	2	2
Six embossed rack positions	●	●	●	●	●	●	●	●
One piece broiler pan	●	●	●	●	●	●	●	●
Porcelain-enameled backguard	●	●	Glass	●	●	●	●	●
Interior oven light	●	●	●	●	●	●	●	●
Broiler drawer	Slide-out	Slide-out	Drop-down		●	●	●	●
<b>Appearance</b>								
Color appearance*	SS WW CC BB	WH/CT	WW CC BB	WW	WW CC	WW WH/CT	WW/CC/BB	WH/CT WW/WH/CT
Frameless oven door	Stainless steel White glass Bisque glass Black glass	Black glass	White glass Bisque glass Black glass	White porcelain-enameled	White glass Bisque glass	White glass Black glass	White/Bisque/Black porcelain-enameled	Black glass CM*
Oven door with window	Big ClearView	Big ClearView	ClearView	ClearView	ClearView	ClearView	ClearView	ClearView
Designer-style handle	●	●	●	●	●	●	●	● / chrome visor
<b>Weights &amp; Dimensions</b>								
Overall oven interior dimensions (WxHxD in inches)	← 24 x 18.5 x 19 →							
Approx. shipping weight (lbs.)	180	170	160	160	175	175	165	165
<b>Power/Ratings</b>								
Top burners (000's BTU's) Nat/LP	(1) 12.0/11.0 (1) 5.0/5.0 (2) 9.5/9.5	(4) 9.5/9.5	(1) 8.0/8.0 BTU (3) 7.0/7.0 BTU (1) 6.0/6.0 BTU	(1) 8.0/8.0 BTU (3) 7.0/7.0 BTU (1) 6.0/6.0 BTU	(4) 9.1/8.0	(4) 9.1/8.0	(4) 9.1/8.0	(4) 9.1/8.0
Oven/broiler burners (000's BTU's) Nat/LP	← 18.0/16.5 →							
Gas range electrical rating**	← 120V, 60Hz, 5A →							
LP conversion kit (included)	●	●	●	●	●	●	●	●

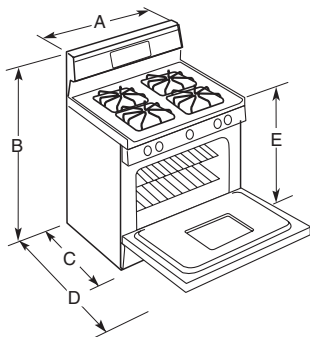
\*SS = Stainless steel with black accents, WW = White with white door, CC = Bisque with bisque door, BB = Black with black door, WH = White with black door, CT = Bisque with black door.

CM = Color-Matched indicates color of oven door matches cooktop (either white or bisque).

\*\*Electrical rating not applicable to standing pilot models.

†JGBS04PPH has a standing pilot ignition.

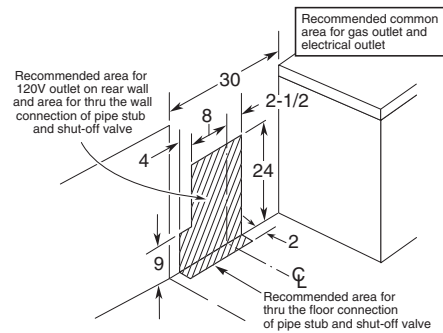
Factory set for Natural Gas. A set of LP orifices is included with each range for LP conversion.



### Dimensions (in inches)

Model	A	B	C*	D	E
JGBS23	30	46-7/8	26-1/4	46-3/8	36-1/4± 1/4
JGBS22	30	46-7/8	26-1/4	46-3/8	36-1/4± 1/4
JGBS10	30	45	25-5/16	46-1/4	36-1/4± 1/4
JGBS09	30	45	25-5/16	46-1/4	36-1/4± 1/4
JGBC20	30	46-7/8	26-1/4	46-3/8	36-1/4± 1/4
JGBS20	30	46-7/8	26-1/4	46-3/8	36-1/4± 1/4
JGBS17	30	46-7/8	26-1/4	46-1/4	36-1/4± 1/4
JGBS07	30	46-7/8	26-1/4	46-1/4	36-1/4± 1/4
JGBS04	30	46-7/8	25-5/16	46-1/4	36-1/4± 1/4

\*Dimension from wall to front of closed door handle is 29".  
25-1/4"—Depth to front top edge of cooktop.



All GE ranges are equipped with an Anti-Tip device. The installation of this device is an important, required step in the installation of the range.

Gas Self-clean range anti-tip bracket  
(part no. 205C1714P001)  
JGBS23/22/20/17/10/09/07/04, JGBC20

# Built-in gas cooktops

	GE Profile™						GE®							JGP321EJ
	JGP975SEK JGP975WEK JGP975CEK JGP975BEK	JGP970SEK JGP970TEK JGP970KEK JGP970BEK	JGP963SEK JGP963WEK JGP963CEK JGP963BEK	JGP945SEK JGP945WEK JGP945CEK JGP945BEK	JGP940SEK JGP940TEK JGP940KEK JGP940BEK	JGP933SEK JGP933WEK JGP933CEK JGP933BEK	JGP637SEJ JGP637WEJ JGP637CEJ JGP637BEJ	JGP337SEJ JGP337WEJ JGP337CEJ JGP337BEJ	JGP630SEK JGP630WEK JGP630CEK JGP630BEK	JGP330SEK JGP330WEK JGP330CEK JGP330BEK	JGP628SEK JGP628WEK JGP628CEK JGP628BEK	JGP328SEK JGP328WEK JGP328CEK JGP328BEK		
<b>Features</b>														
Cooktop burners	5 sealed	5 sealed	5 sealed	5 sealed	4 sealed	4 sealed	5 sealed	4 sealed	5 sealed	4 sealed	4 sealed	4 sealed	4 standard	
Dual-flame stacked burner 000's BTU's	(1) 18.0 140° simmer			(1) 18.0 140° simmer										
Power Boil burner 000's BTU's		(1) 15.0 180° simmer	(1) 15.0 180° simmer		(1) 15.0 180° simmer	(1) 15.0 180° simmer								
All-purpose burner(s) 000's BTU's	(1) 11.0 (1) 9.5 150° simmer	(1) 11.0 (1) 9.1 150° simmer	(1) 11.0 (1) 9.5 150° simmer	(1) 11.0 (1) 9.5 150° simmer	(1) 11.0 (1) 9.1 150° simmer	(1) 11.0 (1) 9.5 150° simmer	(2) 9.5 150° simmer	●	(1) 11.0 (2) 9.5 150° simmer	(1) 11.0 (2) 9.5 150° simmer	(3) 9.5 150° simmer	(3) 9.5 150° simmer		
Precise Simmer burner(s) 000's BTU's	(2) 5.0 140° simmer	(2) 6.0 140° simmer	(2) 5.0 140° simmer	(1) 5.0 140° simmer	(1) 6.0 140° simmer	(1) 5.0 140° simmer	(2) 5.0 140° simmer	●	(2) 5.0 140° simmer	(1) 5.0 140° simmer	(1) 5.0 140° simmer	(1) 5.0 140° simmer		
Electronic pilotless ignition	●	●	●	●	●	●	●	●	●	●	●	●	●	
Cooktop surface	Deep stainless Deep porcelain	Ceramic-glass	Deep stainless Deep porcelain	Deep stainless Deep porcelain	Ceramic-glass	Deep stainless Deep porcelain	Tempered glass	Tempered glass	Deep stainless Deep porcelain	Deep stainless Deep porcelain	Deep stainless Deep porcelain	Deep stainless Deep porcelain	Porcelain-enamelled	
Cooktop grates	Matte black deluxe-cast Grey deluxe-cast Taupe deluxe-cast Black deluxe-cast	Matte black deluxe-cast Grey deluxe-cast Taupe deluxe-cast Black deluxe-cast	Matte black deluxe-cast Grey deluxe-cast Taupe deluxe-cast Black deluxe-cast	Matte black deluxe-cast Grey deluxe-cast Taupe deluxe-cast Black deluxe-cast	Matte black deluxe-cast Grey deluxe-cast Taupe deluxe-cast Black deluxe-cast	Matte black deluxe-cast Grey deluxe-cast Taupe deluxe-cast Black deluxe-cast	Matte black deluxe-cast Grey deluxe-cast Taupe deluxe-cast Black deluxe-cast	Matte black deluxe-cast Grey deluxe-cast Taupe deluxe-cast Black deluxe-cast	Matte black deluxe-cast Grey deluxe-cast Taupe deluxe-cast Black deluxe-cast	Matte black deluxe-cast Grey deluxe-cast Taupe deluxe-cast Black deluxe-cast	Black Grey Taupe Black	Black Grey Taupe Black	Black Grey Taupe Black	Standard steel
Continuous grates	●	●	●	●	●	●	●	●	●	●	●	●	●	
Dishwasher-safe grates and knobs	●	●	●	●	●	●	●	●	●	●	●	●	●	
One-piece drip pans							Porc.-enam.	Porc.-enam.					Chrome	
Control panel	Stainless White Bisque Black	Stainless True white True bisque Black	Stainless White Bisque Black	Stainless White Bisque Black	Stainless White True bisque Black	Stainless White Bisque Black	Stainless White Bisque Black	Black White Bisque Black	Black White Bisque Black	Stainless White Bisque Black	Stainless White Bisque Black	Stainless White Bisque Black	Stainless White Bisque Black	White/Black
Controls	Upfront	Upfront	Upfront	Right side	Right side	Right side	Upfront	Right side	Upfront	Right side	Upfront	Right side	Right side	
Control lock capability	●	●	●	●	●	●								
<b>Appearance</b>														
Color appearance*	SS WW CC BB	SS WW CC BB	SS WW CC BB	SS WW CC BB	SS WW CC BB	SS WW CC BB	SS WW CC BB	SS WW CC BB	SS WW CC BB	SS WW CC BB	SS WW CC BB	SS WW CC BB	SS WW CC BB	WH/BL
<b>Weights &amp; Dimensions</b>														
Cooktop width (in inches)	36	36	36	30	30	30	36	30	36	30	36	30	30	
Approx. shipping wt. (lbs.)	54	59	55	39	52	45	38	30	51	44	51	44	35	
<b>Features</b>														
Gas cooktop elect. rating	120V, 60Hz, 5A													
Burners (000's/BTU's): Natural Gas/LP Gas †	(1) 18.0/15.0 (1) 11.0/10.0 (1) 9.5/9.1 (2) 5.0/5.0	(1) 15.0/14.0 (1) 11.0/10.0 (1) 9.1/8.1 (2) 6.0/6.0	(1) 15.0/13.0 (1) 11.0/9.1 (1) 9.1/8.1 (2) 6.0/6.0	(1) 18.0/15.0 (1) 11.0/10.0 (1) 9.5/9.1 (2) 5.0/5.0	(1) 15.0/14.0 (1) 11.0/10.0 (1) 9.1/8.1 (1) 6.0/6.0	(1) 15.0/13.0 (1) 11.0/9.1 (1) 9.1/8.1 (1) 6.0/6.0	(1) 12.0/10.0 (2) 9.5/8.5 (2) 5.0/5.0	(1) 12.0/10.0 (2) 9.5/8.5 (1) 5.0/5.0	(1) 11.0/10.0 (2) 9.5/9.1 (1) 5.0/5.0	(1) 11.0/10.0 (2) 9.5/9.1 (1) 5.0/5.0	(3) 9.5/____ (1) 5.0/5.0	(3) 9.1/8.1 (1) 6.0/6.0	(4) 9.1/8.0	

\*SS = Stainless Steel, WW = White on white, CC = Bisque on bisque, BB = Black on black, WH = White, BL = Black.  
 †A set of LP orifices is included with each cooktop for LP conversion. Factory set for natural gas.

Dimensions (in inches)

Model	Overall			Cutout		Minimum spacing to nearest combustible wall			To edge of front counter
	W	D	H	A	B	C	L	R	F
JGP975	36	21	3-3/16	33-7/8	19-1/8	2-1/4	3-3/4	6	2-1/2
JGP963	36	21	3-3/16	33-7/8	19-1/8	2-1/4	3-3/4	6	2-1/2
JGP970	36	21-3/16	3-1/16	33-7/8	19-1/8	2-1/4	3-3/4	6	2-1/2**
JGP945	30	21	3-3/16	28-1/2	19-5/8	2-1/4	3-3/4	6	2-1/2
JGP933	30	21	3-3/16	28-1/2	19-5/8	2-1/4	3-3/4	6	2-1/2
JGP940	29-3/4	21-7/16	3-1/16	28-1/2	19-5/8	2-1/4	3-3/4	6	2-1/2
JGP637	36	21	3-1/16	33-7/8	19-1/8	2-1/4	3-3/4	6	2-1/2
JGP337	30	21	3	28-1/2	19-5/8	2-1/4	3-3/4	6	2-1/2
JGP630	36	21	3-3/16	33-7/8	19-1/8	2-1/4	3-3/4	6	2-1/2
JGP330	30	21	3-3/16	28-1/2	19-5/8	2-1/4	3-3/4	6	2-1/2
JGP628	36	21	3-3/16	33-7/8	19-1/8	2-1/4	3-3/4	6	2-1/2
JGP328	30	21	3-3/16	28-1/2	19-5/8	2-1/4	3-3/4	6	2-1/2
JGP321	30-1/4	21-1/4	3-9/16	28-1/2	19-5/8	1-3/4	3-3/4	6	3-1/4

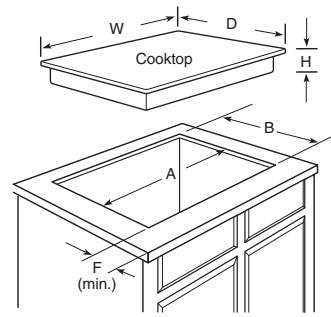
\*Allow 5-3/4" depth at rear for electrical and gas connections.

\*\*Raised bull nose countertops will require up to 3/8" additional clearance to prevent interference with curved front.

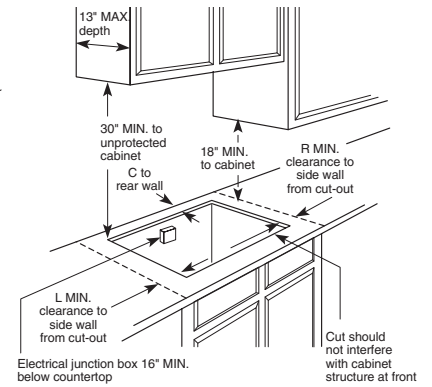
**Note:** All gas cooktop models require 7/16" free area below cooktop height to combustible material. 0" clearance is required between left and right sides of cooktop below countertop. Requires 18" minimum from countertop to adjacent overhead cabinets.\* \*AGA requirement.

**Note:** If installing with a GE Profile telescopic downdraft system, consult both cooktop and downdraft installation instructions packed with product before installing. Cooktop gas/electric supply may need to be re-routed to install downdraft.

Cooktop dimensions (in inches)



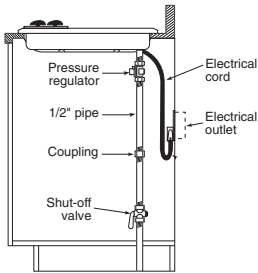
Counter installation dimensions (in inches)



**Installation information:** Before installing, consult installation instructions packed with product for current dimensional data.

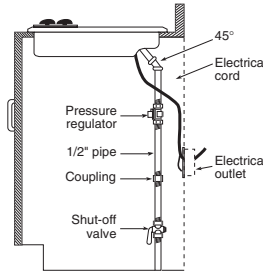
Gas connection

Models JGP963/962/637/628/337/321



Gas connection

Models JGP933/932/328



Installation with single wall oven information:

30" Gas Cooktops are approved for use over GE 27" Wall Ovens and Warming Drawers. 36" and 30" Gas Cooktops are approved for use over 30" Wall Ovens and Warming Drawers. Refer to cooktop and wall oven installation instructions packed with product for current dimensional data.

Optional gas range wok accessory (Available at additional cost)

JXWK = Wok accessory holder sits on top of maximum burner grate to hold a round-bottom wok. For use with JGP637/337 models only.

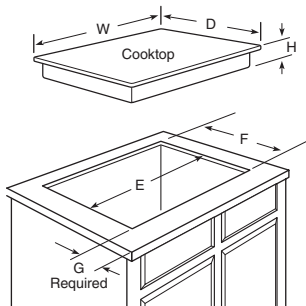
JXWK2 = Wok accessory holder sits on top of maximum burner grate to hold a round-bottom wok. For use with JGP963/933/962/932 models only.

# Built-in CleanDesign cooktops

	GE Profile™							GE®			
	JP980SK JP980WK JP980CK JP980BK	JP970SK JP970TK JP970KK JP970BK	JP960SK JP960TK JP960KK JP960BK	JP950SK JP950WK JP950CK JP950BK	JP940SK JP940TK JP940KK JP940BK	JP930SK JP930TK JP930KK JP930BK	JP910SK JP910TK JP910KK JP910BK	JP655SK JP655TK JP655BK	JP355SK JP355TK JP355KK JP355BK	JP340WJ JP340CJ JP340BJ	
<b>Features</b>											
Ceramic-glass surface	Pattern, black Pattern, white Pattern, bisque Pattern, black	Pattern, black True white True bisque Pattern, black	Pattern, black True white True bisque Pattern, black	Pattern, black Pattern, white Pattern, bisque Pattern, black	Pattern, black True white True bisque Pattern, black	Pattern, black True white True bisque Pattern, black	Pattern, black True white True bisque Pattern, black	Pattern, black True white True bisque Pattern, black	Pattern, black True white True bisque Pattern, black	Pattern, white Pattern, bisque Pattern, black	Pattern, white Pattern, bisque Pattern, black
Number of elements	5 ribbon	5 ribbon	5 ribbon	4 ribbon	4 ribbon	4 ribbon	4 ribbon	5 ribbon	4 ribbon	4 ribbon	
12 7/9" 6" tri-ring element		1 ribbon (3000W)									
6 7/8" dual heating element	1 ribbon (2500W)		1 ribbon (2500W)	1 ribbon (2500W)	1 ribbon (2500W)	1 ribbon (2500W)	1 ribbon (2500W)	1 ribbon (2500W)	1 ribbon (2500W)		
5 7/8" dual heating element	1 ribbon (2200W)	1 ribbon (2200W)		1 ribbon (2200W)	1 ribbon (1900W)						
8" heating elements					1 ribbon (2000W)			2 ribbon (2000W)	1 ribbon (2500W)	2 ribbon (2000W)	
7" heating element	1 ribbon w/ warmer (1500W)	1 ribbon (1500W)	1 ribbon (1500W)	1 ribbon (1500W)					1 ribbon (1500W)		
7" heating elements			2 ribbon (1800W)				2 ribbon (1800W)				
Bridge element			1 ribbon (800W)				1 ribbon (800W)				
Total wattage			4400W				4400W				
6" heating elements	2 ribbon (1200W)	2 ribbon (1200W)	1 ribbon (1200W)	1 ribbon (1200W)	1 ribbon (1200W)	1 ribbon (1200W)	1 ribbon (1200W)	2 ribbon (1200W)	1 ribbon (1200W)	2 ribbon (1200W)	
Melt setting		●			●						
Hot surface indicator lights	5	5	5	4	4	4	4	5	4	1	
Precise Digital Control System™	●			●							
Pan presence sensor	●			●							
Pan size sensor	●			●							
Kitchen timer	●			●							
Control lock capability	●	●	●	●	●	●	●	●	●	●	
Dishwasher-safe knobs		●	●		●	●	●	●	●		
<b>Appearance</b>											
Color appearance*	SS WW CC BB	SS WW CC BB	SS WW CC BB	SS WW CC BB	SS WW CC BB	SS WW CC BB	SS WW CC BB	SS WW CC BB	SS WW CC BB	SS WW CC BB	
Frameless	●	●	●	●	●	●	●	●	●	●	
<b>Weight &amp; Dimensions</b>											
Cooktop width (in inches)	36	36	36	30	30	30	30	36	30	30	
Approx. shipping wt. (lbs.)	45	44	44	38	38	39	38	44	38	37	
<b>Power/Ratings</b>											
KW rating @	240V 208V	8.6 6.5	9.6 7.2	9.6 7.2	7.4 5.6	7.6 5.7	8.1 6.1	7.7 5.8	8.4 6.3	7.7 5.8	6.4 4.8
Amps @	240V 208V	40 40	40 40	40 40	40 30	40 30	40 30	40 30	40 40	40 30	30 30

\*SS = Stainless Steel, WW = White on white, CC = Bisque on bisque, BB = Black on black.

## Cooktop dimensions (in inches)



## Cooktop dimensions (in inches)

Model	Overall			Cutout			To edge of front counter (min.)
	W	D	H	E	F	G	
JP980WK/CK/BK	36	21-3/16	3-1/4*	33-7/8	19-1/8	2-1/2**	
JP970TK/KK/BK	36	21-3/16	3-1/4*	33-7/8	19-1/8	2-1/2**	
JP960TK/KK/BK	36	21-3/16	3-1/4*	33-7/8	19-1/8	2-1/2**	
JP950WK/CK/BK	29-3/4	21-5/16	3-1/4*	28-1/2	19-5/8	2-1/2	
JP940TK/KK/BK	29-3/4	21-5/16	3-1/4*	28-1/2	19-5/8	2-1/2	
JP930TK/KK/BK	29-3/4	21-5/16	3-1/4*	28-1/2	19-5/8	2-1/2	
JP910TK/KK/BK	29-3/4	21-5/16	3-1/4*	28-1/2	19-5/8	2-1/2	
JP355TK/WK/KK/BK	30	20-7/8	3-1/4				
JP340WJ/CJ/BJ	29-3/4	20-7/8	3-1/4*	28-1/2	19-5/8	2-1/2	

\*Depth of unit at conduit connection location (rear) is 6-1/4" on models JP980/950 and 4-5/8" on models JP970/960/940/930/910/355/340.

\*\*Raised bull nose cooktops will require up to 3/8" additional clearance to prevent interference with curved front.

## Stainless steel cooktop dimensions (in inches)

Model	Overall			Cutout			To edge of front counter (min.)
	W	D	H	E	F	G	
JP980SK	36-1/8	21-1/4	3-1/4*	33-7/8	19-1/8	2-1/2**	
JP970SK	36-1/8	21-1/4	3-1/4*	33-7/8	19-1/8	2-1/2**	
JP960SK	36-1/8	21-1/4	3-1/4*	33-7/8	19-1/8	2-1/2**	
JP950SK	29-7/8	21-3/8	3-1/4*	28-1/2	19-5/8	2-1/2	
JP940SK	29-7/8	21-3/8	3-1/4*	28-1/2	19-5/8	2-1/2	
JP930SK	29-7/8	21-3/8	3-1/4*	28-1/2	19-5/8	2-1/2	
JP910SK	29-7/8	21-3/8	3-1/4*	28-1/2	19-5/8	2-1/2	
JP355SK	29-7/8	21-1/2	3-1/4*	28-1/2	19-5/8	2-1/2	

\*Depth of unit at conduit connection location (rear) is 6-1/4" on models JP980/950 and 4-5/8" on models JP970/960/940/930/910/355.

\*\*Raised bull nose cooktops will require up to 3/8" additional clearance to prevent interference with curved front.

## Built-in CleanDesign cooktops

Requires a 5" free area between the bottom of the cooktop to any combustible material, i.e., shelving. Free area not required when installing wall oven underneath cooktop. Refer to installation instructions. Units are furnished with a 48" flexible armored cable.

36" Ribbon Cooktops are approved for use over GE 30" Single Wall Ovens and Warming Drawers. 30" Ribbon Cooktops are approved for use over GE 30" and 27" Single Wall Ovens and Warming Drawers. Refer to cooktop and wall oven installation instructions packed with product for current dimensional data.

**Notes:** If installing with a GE Profile Telescopic Downdraft System, consult both cooktop and downdraft installation instructions packed with product before installing. Cooktop gas/electric supply may need to be re-routed to install downdraft.

The countertop must be at least 26" deep with a flat surface area of 23-1/2" or more, front to back. Stainless CleanDesign and gas on glass cooktops require 23-5/8" flat surface area. In addition, other clearances to the front edge of the countertop must be considered.

**Note:** Consult cabinet and countertop manufacturer's specs for flush mount installation prior to install.

## Filler trim kit

When replacing an old GE 30" cooktop (with larger opening) with Models JP939/931/930/350/340, use the following one-piece trim kit to fill in the over-size hole. Available at additional cost.

- JXTR32W (True White)
- JXTR32C (True Bisque)
- JXTR32B (Black—use with black glass cooktops with a white, bisque or black pattern)

## Flush mount installation kit

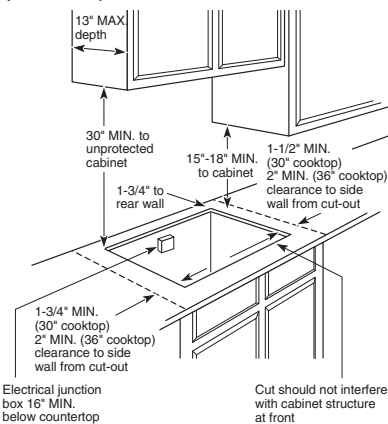
Accommodates both 30" and 36" installations. Not for use with stainless steel models.

- JXFLM2TW (True White)
- JXFLM2CC (True Bisque)
- JXFLM2BB (Black—use with black glass cooktops with a white, bisque or black pattern)

## Installation information:

Before installing, consult installation instructions packed with product for current dimensional data.

## Counter installation dimensions (in inches)



# Built-in electric cooktops

GE				
	JP626WK JP626CK JP626BK	JP328SK JP328WK JP328CK JP328BK	JP201CB	JP202D
<b>Features</b>				
Cooktop surface	Porcelain-enameled	Stainless steel Porcelain-enameled Porcelain-enameled Porcelain-enameled	Stainless steel	Porcelain-enameled
Lift-up cooktop with support rod	●	●		
8" heating elements	2 plug-in	2 plug-in	1 plug-in	1 plug-in
6" heating elements	2 plug-in	2 plug-in	1 plug-in	1 plug-in
One-piece removable chrome drip bowls	●	●	●	●
Infinite heat rotary controls	●	●	●	●
Control panel location	Upfront	Upfront	Upfront	Upfront
Control panel	White glass Bisque glass Black glass	Black glass White glass Bisque glass Black glass		
Surface element "ON" indicator light	●	●	●	●
<b>Appearance</b>				
Color appearance*	WW CC BB	SS WW CC BB	SS	WW
<b>Weights &amp; Dimensions</b>				
Cooktop width (in inches)	35-1/2	30-1/4	21-1/4	21-1/4
Approx. shipping weight (lbs.)	38	36	18	18
<b>Power/Ratings</b>				
KW rating @ 240V	7.4	7.4	3.4	3.4
208V	5.6	5.6	2.5	2.5
Amps @ 240V	40	40	20	20
208V	30	30	20	20

\*SS = Stainless Steel, WW = White on white, CC = Bisque on bisque, BB = Black on black.

## Built-in electric cooktops

Required free area between the bottom of the cooktop and any combustible material, i.e., shelving is 5" minimum on models JP626/328 and 1-1/2" minimum on models JP201/202. Free area not required when installing wall oven underneath. Requires an 18" minimum from cooktop to adjacent overhead cabinets. Units are furnished with a 48" flexible armored cable.

Cooktop model JP328 is approved for use over select GE 27" or 30" Single Wall Ovens. JP626 is approved for use over GE 30" Single Wall Ovens only. Refer to cooktop and wall oven installation instructions packed with product for current dimensional data.

Cooktop models JP201CB and JP202D are approved for use over GE undersink dishwasher model GSM2100. Refer to cooktop installation instructions packed with product for current dimensional data.

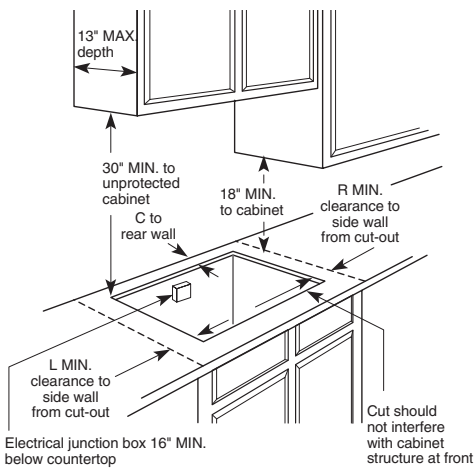
**Note:** JP626 may be installed with a GE Profile Telescopic Downdraft System. Consult both cooktop and downdraft installation instructions packed with product before installing. Cooktop gas/electric supply may need to be re-routed to install downdraft.

**Note:** The countertop must be at least 26" deep with a flat surface area of 23-1/2" or more, front to back. In addition, other clearances to the front edge of the countertop must be considered.

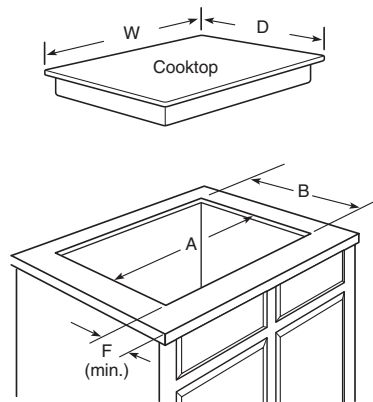
**Filler trim kit**—When replacing an old GE 30" cooktop (with larger opening) with Models JP328WF, JP328CF, JP328BF, JP328SF, use the following one-piece trim kits to fill in the over-size hole. Available at additional cost.  
 JXTR31W (White)  
 JXTR31C (Bisque)  
 JXTR31B (Black)

**Installation information:**  
 Before installing, consult installation instructions packed with product for current dimensional data.

## Counter installation dimensions (in inches)



## Built-in cooktop dimensions (in inches)



## Dimensions (in inches)

Model	Overall		Cutout		Minimum spacing to nearest combustible wall			To edge of front counter (min.)	
	W	D	A	B	C	R	L	F	
JP626	35-1/2	21	33-7/8	19-1/8	2-1/2	3-3/4	3-3/4	2-1/2	
JP328	30-1/4	21-1/4	28-1/2	19-1/2	1-3/4	2	5-1/2	2-1/2	
JP202	21-1/4	16-5/8	20-1/8	16-1/8	2	2	2	2-3/4	
JP201	21-1/4	16-5/8	20-1/8	16-1/8	2	2	2	2-3/4	



## A Century of Quality and Innovation

For more than a century, GE has been committed to producing innovative products that change the way people live. The result of thorough research and rigorous testing, GE appliances are designed for years of dependable performance.

Today, the GE tradition of quality and innovation continues.