

# PGP990SEN

## GE Profile™ Series Built-In Downdraft Gas Cooktop

### Dimensions and Installation Information (in inches)

**Wall Installation:** Wall installations require 25" countertop depth. When cabinet is flush against the wall, the fan housing can be rotated to the horizontal position for direct venting through rear wall. Make a countertop cutout in the range cabinet according to unit dimensions and installation type. Duct hole is positioned in back of cabinet for through-the-wall ducting. Requires special offset adapter JXRW89.

**Peninsula or Island Installation:** For peninsula/islands a minimum 26" countertop depth is suggested. Blower should be in vertical position. Island or peninsula cabinets may require adjustment in cutout depth and/or location within the width dimensions. Duct hole is positioned in bottom of cabinet for island or peninsula installation.

**Slab Installation:** For peninsula or island installation and rear wall ducting, **6" PVC duct or locally approved piping should be used if installing under a poured concrete slab.**

**Installation Information:** Before installing, consult installation instructions, packed with product, for current dimensional data.

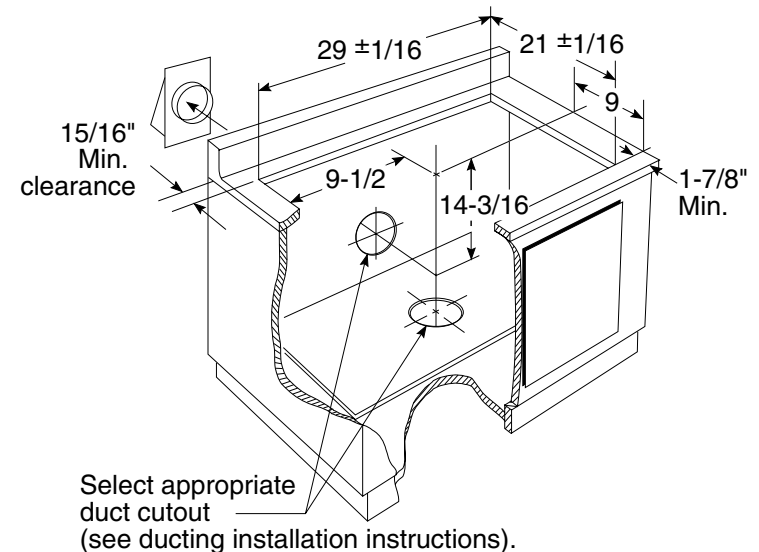
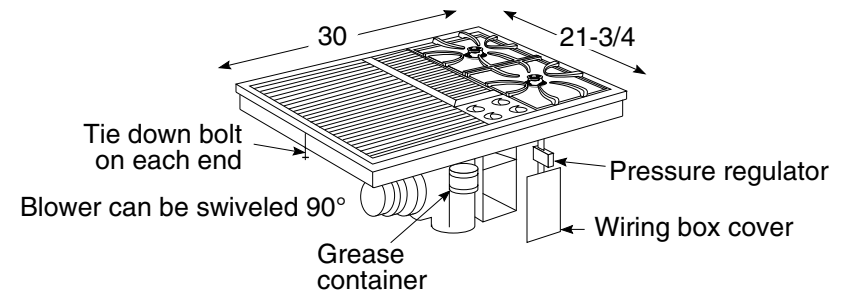
**Note:** These cooktops are approved for indoor use only.

#### Warranty Information:

Parts Warranty - Limited 1-year entire appliance

Labor Warranty - Limited 1-year entire appliance

Warranty Notes - For models produced on or after January 1, 2006; see written warranty for full details



imagination at work

For answers to your Monogram® or GE® appliance questions, visit our website at [geappliances.com](http://geappliances.com) or call GE Answer Center® service, 800.626.2000.



Listed by  
Underwriters  
Laboratories

Specification Revised 3/13

230283

# PGP990SEN

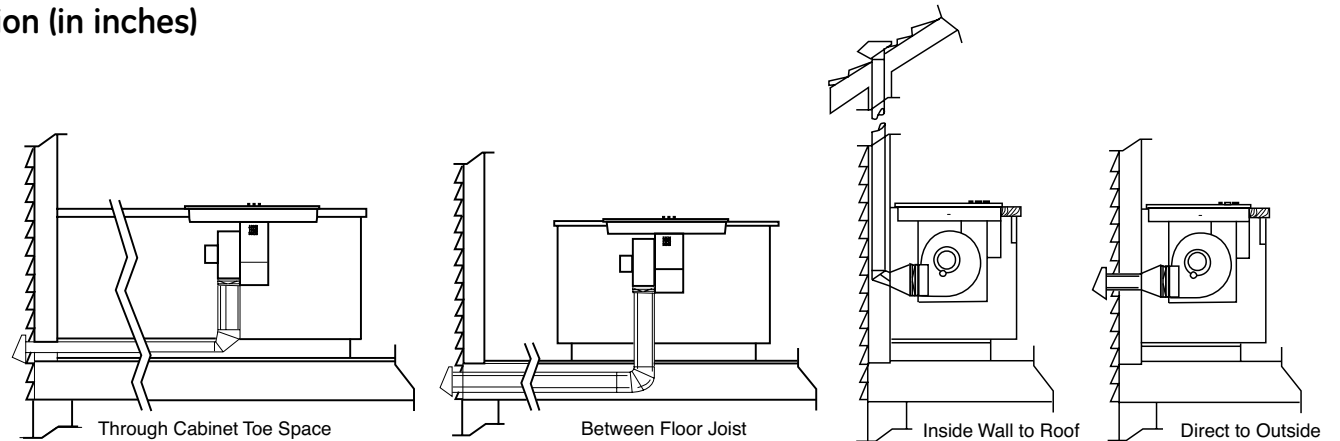
## GE Profile™ Series Built-In Downdraft Gas Cooktop

### Dimensions and Installation Information (in inches)

**Installing the Ductwork:** Use galvanized or aluminum duct in 6" round or 3-1/4" x 10" size, or combination of both. **PVC duct or locally approved piping should be used if installing under a poured concrete slab.** Local building code must be followed in specifying type and schedule of all duct used.

**Note:** Ductwork must be vented to outside. Do not vent into a wall, ceiling, crawlspace, attic or any concealed space. Always use an appropriate roof or wall cap with damper.

**Laundry-type wall caps should never be used.** For maximum efficiency use the shortest and straightest duct run possible, with as few fittings as possible. For satisfactory performance the duct run should not exceed 100 feet equivalent length. Refer to the table of equivalent lengths (shown in installation instructions) for various duct configurations.



imagination at work



Listed by  
Underwriters  
Laboratories

Specification Revised 3/13

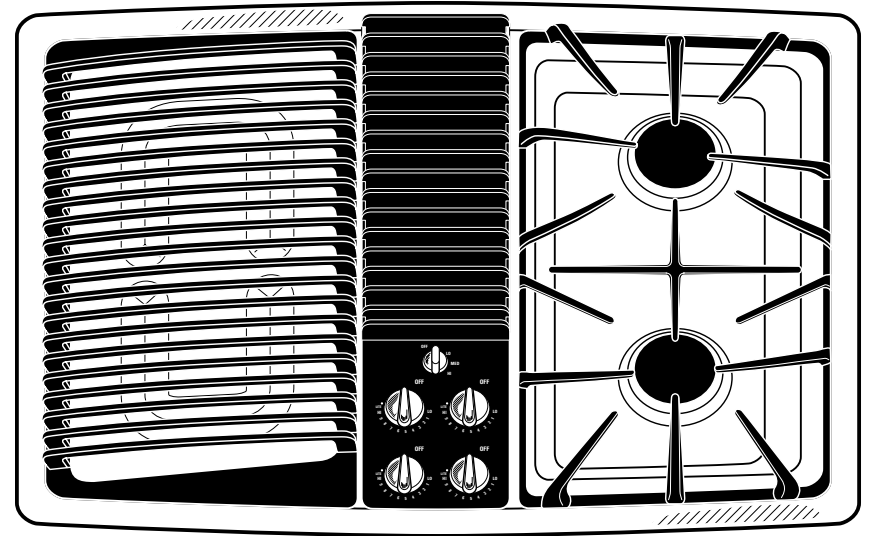
230283

# PGP990SEN

## GE Profile™ Series Built-In Downdraft Gas Cooktop

### Features and Benefits

- Modular Cooktop Options - Accepts optional Select-Top™ modules (left bay)
- Two-Burner Gas Module - Shipped with unit (right bay) offers a range of temperature settings for cooking versatility
- Downdraft Exhaust - Powerful exhaust system effectively pulls smoke and steam out of the kitchen
- Sealed Cooktop Burners - Adhere to cooktop to help contain spills and make cleaning quick and easy
- Continuous Grates - Provide a flat, sturdy surface allowing easy movement of pans between burners
- Electronic Pilotless Ignition - Provides reliable burner ignition operation, eliminating the need for a standing pilot
- Deep Recessed Cooktop - Designed with a recessed surface to help contain spills and make cleaning easy
- Heavy-duty knobs
- LP Convertible
- Model PGP990SENS - Stainless steel



imagination at work