



Built-In Electric WALL OVEN

SAFETY INFORMATION 3

USING THE OVEN

Single Wall Oven Controls 6

Double Wall Oven Controls 7

Special Features 8

Sabbath Mode 9

Oven Racks 10

Aluminum Foil and Oven Liners 10

Cookware 10

Cooking Modes 11

Cooking Guide 12

CARE AND CLEANING

Oven 13

Oven Light 14

Oven Door 15

TROUBLESHOOTING TIPS 16

LIMITED WARRANTY 18

ACCESSORIES 19

CONSUMER SUPPORT 20

OWNER'S MANUAL

- JKS3000 - 27" Single Wall Oven
- JTS3000 - 30" Single Wall Oven
- JKD3000 - 27" Double Wall Oven
- JTD3000 - 30" Double Wall Oven

Write the model and serial numbers here:

Model # _____

Serial # _____

You can find them on a label on the side trim or on the front of the (lower) oven behind the oven door.

THANK YOU FOR MAKING GE APPLIANCES A PART OF YOUR HOME.

Whether you grew up with GE Appliances, or this is your first, we're happy to have you in the family.

We take pride in the craftsmanship, innovation and design that goes into every GE Appliances product, and we think you will too. Among other things, registration of your appliance ensures that we can deliver important product information and warranty details when you need them.

Register your GE appliance now online. Helpful websites and phone numbers are available in the Consumer Support section of this Owner's Manual. You may also mail in the pre-printed registration card included in the packing material.



GE APPLIANCES

IMPORTANT SAFETY INFORMATION

READ ALL INSTRUCTIONS BEFORE USING THE APPLIANCE

▲WARNING Read all safety instructions before using the product. Failure to follow these instructions may result in fire, electrical shock, serious injury or death.

▲WARNING GENERAL SAFETY INSTRUCTIONS

- Use this appliance only for its intended purpose as described in this Owner's Manual.
- Be sure your appliance is properly installed and grounded by a qualified installer in accordance with the provided installation instructions.
- Do not attempt to repair or replace any part of your oven unless it is specifically recommended in this manual. All other servicing should be performed by a qualified technician.
- Before performing any service, disconnect the power supply at the household distribution panel by removing the fuse or switching off the circuit breaker.
- Do not leave children alone—children should not be left alone or unattended in an area where an appliance is in use. They should never be allowed to climb, sit or stand on any part of the appliance.
- **▲CAUTION** Do not store items of interest to children in cabinets above an oven - children climbing on the oven to reach items could be seriously injured.
- Use only dry pot holders—moist or damp pot holders on hot surfaces may result in burns from steam. Do not let pot holders touch hot heating elements. Do not use a towel or other bulky cloth in place of pot holders.
- Never use your appliance for warming or heating the room.
- Do not touch the heating elements or the interior surface of the oven. These surfaces may be hot enough to burn even though they are dark in color. During and after use, do not touch, or let clothing or other flammable materials contact any interior area of the oven; allow sufficient time for cooling first. Other surfaces of the appliance may become hot enough to cause burns. Potentially hot surfaces include the oven vent opening, surfaces near the opening and crevices around the oven door.
- Do not heat unopened food containers. Pressure could build up and the container could burst, causing an injury.
- Do not use any type of foil or liner to cover the oven bottom or anywhere in the oven, except as described in this manual. Oven liners can trap heat or melt, resulting in damage to the product and risk of shock, smoke or fire.
- Avoid scratching or impacting glass doors or control panels. Doing so may lead to glass breakage. Do not cook on a product with broken glass. Shock, fire or cuts may occur.
- Cook meat and poultry thoroughly—meat to at least an internal temperature of 160°F and poultry to at least an internal temperature of 180°F. Cooking to these temperatures usually protects against foodborne illness.

▲WARNING KEEP FLAMMABLE MATERIALS AWAY FROM THE OVEN

Failure to do so may result in fire or personal injury.

- Do not store or use flammable materials in or near an oven, including paper, plastic, pot holders, linens, wall coverings, curtains, drapes and gasoline or other flammable vapors and liquids.
- Never wear loose-fitting or hanging garments while using the appliance. These garments may ignite if they contact hot surfaces, causing severe burns.
- Do not let cooking grease or other flammable materials accumulate in or near the oven. Grease in the oven or near the oven may ignite.
- **Remote Operation** - This appliance is configurable to allow remote operation at any time. Do not store any flammable materials or temperature sensitive items inside of the appliance.

READ AND SAVE THESE INSTRUCTIONS

IMPORTANT SAFETY INFORMATION

READ ALL INSTRUCTIONS BEFORE USING THE APPLIANCE

▲WARNING IN THE EVENT OF A FIRE, TAKE THE FOLLOWING STEPS TO PREVENT INJURY AND FIRE SPREADING

- Do not use water on grease fires. Never pick up a flaming pan.
- If there is a fire in the oven during baking, smother the fire by closing the oven door and turning the oven off or by using a multi-purpose dry chemical or foam-type fire extinguisher.
- If there is a fire in the oven during self-clean, turn the oven off and wait for the fire to go out. Do not force the door open. Introduction of fresh air at self-clean temperatures may lead to a burst of flame from the oven. Failure to follow this instruction may result in severe burns.

▲WARNING OVEN SAFETY INSTRUCTIONS

- Stand away from the oven when opening the oven door. Hot air or steam which escapes can cause burns to hands, face and/or eyes.
- Keep the oven vent unobstructed.
- Keep the oven free from grease buildup. Grease in the oven may ignite.
- Place oven racks in desired location while oven is cool. If rack must be moved while oven is hot, do not let pot holder contact hot heating element in oven.
- When using cooking or roasting bags in the oven, follow the manufacturer's directions.
- Pulling out the standard racks to their stop-locks or the extension rack to its fully open position is a convenience in lifting heavy foods. It is also a precaution against burns from touching hot surfaces of the door or oven walls.
- Do not leave items such as paper, cooking utensils or food in the oven when not in use. Items stored in an oven can ignite.
- Never place cooking utensils, pizza or baking stones, or any type of foil or liner on the oven floor. These items can trap heat or melt, resulting in damage to the product and risk of shock, smoke or fire.

▲WARNING SELF-CLEANING OVEN SAFETY INSTRUCTIONS

The self-cleaning feature operates the oven at temperatures high enough to burn away food soils in the oven. Follow these instructions for safe operation.

- Do not touch oven surfaces during self-clean operation. Keep children away from the oven during self-cleaning. Failure to follow these instructions may cause burns.
- Before self-cleaning the oven, remove shiny silver colored oven racks (on some models), the probe, any aluminum foil, and any broiler pan, grid, and other cookware. Only porcelain coated oven racks may be left in the oven.
- Before operating the self-clean cycle, wipe grease and food soils from the oven. Excessive amount of grease may ignite, leading to smoke damage to your home.

READ AND SAVE THESE INSTRUCTIONS

IMPORTANT SAFETY INFORMATION

READ ALL INSTRUCTIONS BEFORE USING THE APPLIANCE

▲WARNING SELF-CLEANING OVEN SAFETY INSTRUCTIONS (Cont.)

- If the self-cleaning mode malfunctions, turn the oven off and disconnect the power supply. Have it serviced by a qualified technician.
- Do not clean the door gasket. The door gasket is essential for a good seal. Care should be taken not to rub, damage or move the gasket.
- Do not use oven cleaners. No commercial oven cleaner or oven liner protective coating of any kind should be used in or around any part of the oven.

The remote enable equipment installed on this oven has been tested and found to comply with the limits for a Class B digital device, pursuant to part 15 of the FCC Rules. These limits are designed to:

(a) provide reasonable protection against harmful interference in a residential installation. This equipment generates, uses and can radiate radio frequency energy and, if not installed and used in accordance with the instructions, may cause harmful interference to radio communications. However, there is no guarantee that interference will not occur in a particular installation. If this equipment does cause harmful interference to radio or television reception, which can be determined by turning the equipment off and on, the user is encouraged to try to correct the interference by one or more of the following measures:

- Reorient or relocate the receiving antenna.
- Increase the separation between the equipment and receiver.
- Connect the equipment into an outlet on a circuit different from that to which the receiver is connected.
- Consult the dealer or an experienced radio/TV technician for help.

(b) accept any interference received, including interference that may cause undesired operation of the device.

Note that any changes or modifications to the wireless communication device installed on this oven that are not expressly approved by the manufacturer could void the user's authority to operate the equipment.

How to Remove Protective Shipping Film and Packaging Tape

Carefully grasp a corner of the protective shipping film with your fingers and slowly peel it from the appliance surface. Do not use any sharp items to remove the film. Remove all of the film before using the appliance for the first time.

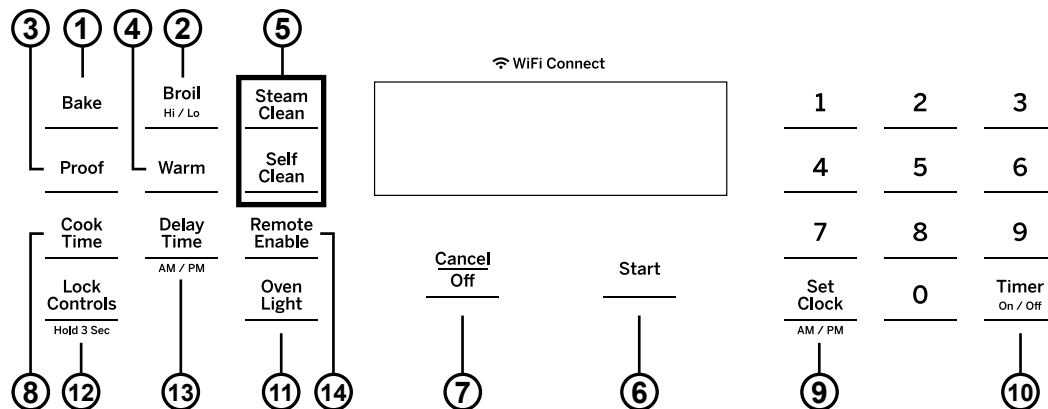
To assure no damage is done to the finish of the product, the safest way to remove the adhesive from packaging tape on new appliances is an application of a household liquid dishwashing detergent. Apply with a soft cloth and allow to soak.

NOTE: The adhesive must be removed from all parts. It cannot be removed if it is baked on.

READ AND SAVE THESE INSTRUCTIONS

Single Wall Oven Controls

Control button shapes are representative; your oven may have alternate button shapes.



1. **Bake:** Touch this pad to select the bake function. See the Cooking Modes section for more information.
2. **Broil:** Touch this pad to select the broil function. See the Cooking Modes section for more information.
3. **Proof:** Helps yeast bread rise. See the Cooking Modes section for more information.
4. **Warm:** Keeps hot food warm. See the Cooking Modes section for more information.
5. **Clean:** Your oven has two cleaning modes: Self Clean and Steam Clean. See the Cleaning the Oven section for important information about using these modes.
6. **Start:** Must be pressed to start any cooking, cleaning, or timed function.
7. **Cancel/Off:** Cancels ALL oven operations except the clock and timer.
8. **Cook Time:** Counts down cooking time and turns off the oven when the cooking time is complete. Initiate either a bake or warm mode, but don't press **Start**. Press the **Cook Time** pad, use the number pads to program a cooking time in hours and minutes, then press **Start**.
9. **Set Clock:** Sets the oven clock time. Press the **Set Clock** pad and the number pads to program the clock. Press **Set Clock** to toggle between AM and PM. Press **Start** to save the time.
10. **Timer:** Works as a countdown timer. Press the **Timer** pad and the number pads to program the time in hours and minutes. Press the **Start** pad. The control will beep with 1 minute remaining and the display will show seconds until the timer counts down to :00. The oven will continue to operate when the timer countdown is complete. To turn the timer off press the **Timer** pad.
11. **Oven Light(s):** Turns the oven light(s) on or off. Note that opening a door only turns on the light in that oven.
12. **Lock Controls:** Locks out the control so that pressing the pads does not activate the controls. Press and hold the **Lock Controls** pad for three seconds to lock or unlock the control. Locking the controls will cancel active functions other than the timer.

13. **Delay Time:** Delays when the oven will turn on. Use this to set a time when you want the oven to start. Initiate either a bake or self clean mode, but don't press **Start**. Press the **Delay Time** pad and use the number pads to program the time of day for the oven to turn on, use **Delay Time** to toggle between AM and PM*, then press **Start**. With bake, a cook time may also be programmed if desired. Follow the directions under Cook Time for setting this feature. This can only be used with Bake and Self-Clean.
NOTE: When using the delay time feature, foods that spoil easily—such as milk, eggs, fish, stuffings, poultry and pork—should not be allowed to sit for more than 1 hour before or after cooking. Room temperature promotes the growth of harmful bacteria. Be sure that the oven light is off because heat from the bulb will speed harmful bacteria growth.

* For some models, the AM and PM is not displayed on the screen. For those models, you will need to change the CLOCK setting to military time if delay start is required outside of the 12-hr CLOCK time frame. Refer to Special Features section in this manual on how to change the clock display settings.

14. Remote Enable:

CONNECTING YOUR OVEN

Off - Oven is not connected. Open the app then press and hold **Remote Enable** pad for 5 seconds to begin the connecting process.

Slow flash - Oven is in discovery mode and looking for a network.

Rapid flash - An error occurred during the connecting process.

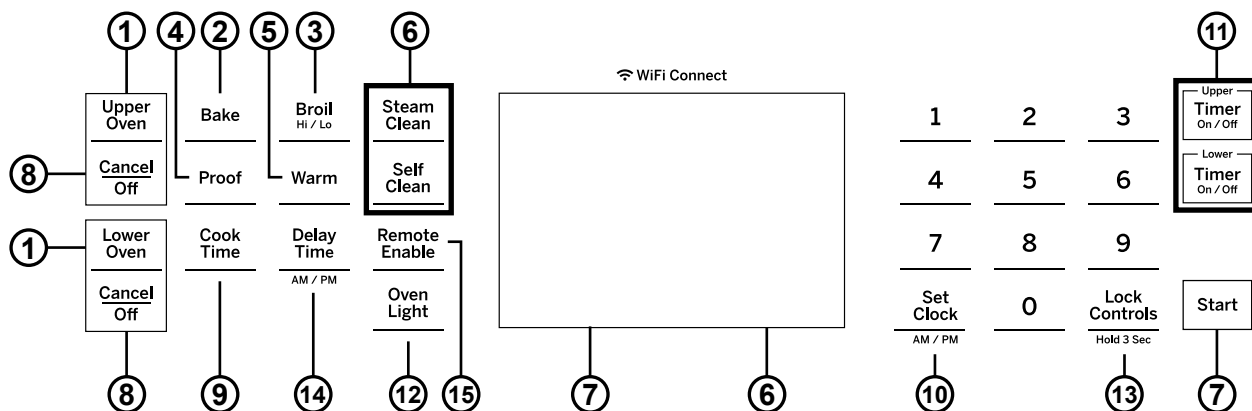
Solid - Oven is connected to the network and can be remotely controlled by a connected mobile device when in operation, but it cannot be started remotely.

REMOTE STARTING YOUR OVEN

To be able to start the oven remotely, press the **Remote Enable** pad and the **REMOTE** icon will turn on in the display. The oven can now be remotely started with a connected device. The **REMOTE** icon must be lit to start the oven remotely. The **REMOTE** icon is not required to change the oven settings or to turn the oven off. After using the oven, remember to verify that the **REMOTE** icon is lit if you wish to start the oven remotely in the future. To disconnect your phone from Remote Enable, press the Remote Enable pad and the Remote icon will turn off.

Double Wall Oven Controls

Control button shapes are representative; your oven may have alternate button shapes.



- Upper Oven and Lower Oven:** Designates which oven the controls will operate.
- Bake:** Touch this pad to select the bake function. See the Cooking Modes section for more information.
- Broil:** Touch this pad to select the broil function. See the Cooking Modes section for more information.
- Proof:** Helps yeast bread rise. See the Cooking Modes section for more information. Note that proof cannot be run when running a clean mode in the lower oven.
- Warm:** Keeps hot food warm. See the Cooking Modes section for more information.
- Clean:** Your oven has two cleaning modes: **Self Clean** and **Steam Clean**. See the Cleaning the Oven section for important information about using these modes. Note that proof cannot be run when running a clean mode in the lower oven.
- Start:** Must be pressed to start any cooking, cleaning, or timed function.
- Cancel/Off:** Cancels ALL oven operations except the clock and timer.
- Cook Time:** Counts down cooking time and turns off the oven when the cooking time is complete. Initiate either a bake or warm mode, but don't press **Start**. Press the **Cook Time** pad, use the number pads to program a cooking time in hours and minutes, then press **Start**.
- Set Clock:** Sets the oven clock time. Press the **Set Clock** pad and the number pads to program the clock. Press **Set Clock** to toggle between AM and PM. Press **Start** to save the time.
- Timer:** Works as a countdown timer. Press the **Timer** pad and the number pads to program the time in hours and minutes. Press the **Start** pad. The control will beep with 1 minute remaining and the display will show seconds until the timer counts down to :00. The oven will continue to operate when the timer countdown is complete. To turn the timer off press the **Timer** pad.
- Oven Light(s):** Turns the oven light(s) on or off in both ovens. Note that opening a door only turns on the light in that oven.

- Lock Controls:** Locks out the control so that pressing the pads does not activate the controls. Press and hold the **Lock Controls** pad for three seconds to lock or unlock the control. Locking the controls will cancel active functions other than the timer.
- Delay Time:** Delays when the oven will turn on. Use this to set a time when you want the oven to start. Initiate either a bake or self clean mode, but don't press **Start**. Press the **Delay Time** pad and use the number pads to program the time of day for the oven to turn on, use **Delay Time** to toggle between AM and PM*, then press **Start**. With bake, a cook time may also be programmed if desired. Follow the directions under Cook Time for setting this feature. This can only be used with Bake and Self-Clean.
NOTE: When using the delay time feature, foods that spoil easily—such as milk, eggs, fish, stuffings, poultry and pork—should not be allowed to sit for more than 1 hour before or after cooking. Room temperature promotes the growth of harmful bacteria. Be sure that the oven light is off because heat from the bulb will speed harmful bacteria growth.
* For some models, the AM and PM is not displayed on the screen. For those models, you will need to change the CLOCK setting to military time if delay start is required outside of the 12-hr CLOCK time frame. Refer to Special Features section in this manual on how to change the clock display settings.
- Remote Enable:**

CONNECTING YOUR OVEN

Off - Oven is not connected. Open the app then press and hold **Remote Enable** pad for 5 seconds to begin the connecting process.

Slow flash - Oven is in discovery mode and looking for a network.

Rapid flash - An error occurred during the connecting process.

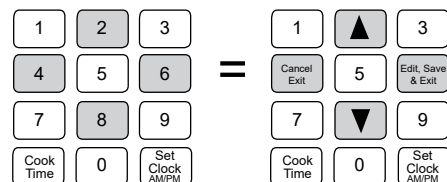
Solid - Oven is connected to the network and can be remotely controlled by a connected mobile device when in operation, but it cannot be started remotely.

REMOTE STARTING YOUR OVEN REMOTE

To be able to start the oven remotely, press the **Remote Enable** pad and the **REMOTE** icon will turn on in the display. The oven can now be remotely started with a connected device. The **REMOTE** icon must be lit to start the oven remotely. The **REMOTE** icon is not required to change the oven settings or to turn the oven off. To disconnect your phone from Remote Enable, press the **Remote Enable** pad and the **REMOTE** icon will turn off. After using the oven, remember to verify that the **REMOTE** icon is lit if you wish to start the oven remotely in the future.

Special Features

There are several different special features on your wall oven. To change the settings of these special features, press the **Bake** and **Broil** pads at the same time and hold for three seconds. "OFFSET" ("OFFSET" on double ovens) will appear in the display. For each of the features below, select and edit the feature you want to change by using the **8** and **2** pads to scroll up and down, the **6** pad to edit (or **Save** and exit), and the **4** pad to return to the prior menu without saving.



Adjust the Oven Temperature (OFFSET)

This feature allows the oven baking temperature to be adjusted up to 35°F hotter or down to 35°F cooler. Use this feature if you believe your oven temperature is too hot or too cold and wish to change it. **For double oven models, the upper and lower ovens are adjusted separately.** Do not use thermometers, such as those found in grocery stores, to check the temperature setting of your oven. These thermometers may vary 20–40 degrees. Navigate to "OFFSET" for single ovens, "OFFSET" for the upper oven or "OFFSET" for the lower oven. Press **6** to edit the offset. "0" or a number between + and - 35 will be displayed. Press **2** to increase, **8** to decrease. -35 to +35 is the available offset range. Press **6** to save and exit. Press **4** to exit without saving.

Sound Volume (SOUND)

This feature allows the oven tone volume to be adjusted. Navigate to "SOUND" and press **6** to view or change the current setting. Scrolling through allows you to hear each volume level.

End of Timer Signals (ENDTONE)

This is the tone that signals the end of a timer. The tone can be continuous "CONTBEEP" or one repeating beep "BEEP". A continuous setting will continue to sound a tone until a button on the control is pressed. Navigate to "ENDTONE" and press **6** to view or change the current setting.

Fahrenheit or Celsius Temperature Display (UNIT DISPLAY)

The oven control is set to use Fahrenheit temperatures (F), but you can change it to use Celsius temperatures (C). Navigate to "UNIT DISPLAY" and press **6** to view or change the current setting.

Clock Display (CLOCK DISPLAY)

This feature turns the clock on or off in the display. Navigate to "CLOCK DISPLAY" and press **6** to view or change the current setting.

Clock Configuration (CLOCKCFG)

This feature specifies how the time of day will be displayed or if no time of day will be displayed. You can select a standard 12-hour clock (12H) or 24-hour military time display (24H). Navigate to "CLOCKCFG" and press **6** to view or change the current setting.

12-Hour Shutoff (12HR)

When this feature is turned on, the oven will automatically turn off after 12 continuous hours of use. Navigate to "12HR" and press **6** to view or change the current setting.

Sabbath Mode

Sabbath mode disables the oven lights (the oven light will not turn on when the door is opened), all sounds (the control will not beep when a button is pressed), Broil, Warm, Proof, Cook Time, Timer, Clock, and Delay Time functions. Sabbath mode can only be used with Bake. This feature conforms to the Star-K Jewish Sabbath requirements.

Setting the Sabbath Mode

1. Press and hold the **Bake** and **Broil** pads for 3 seconds to enter special features.
2. Press the **8** and **2** pads to scroll up and down until "SABBAH" appears in the display. Use the **6** pad to view and edit the current setting, **2** and **8** to change the setting, and **6** again to **Save**, **4** to exit the Special Features and Start Sabbath mode. (Alternately, use the **4** pad to return to the prior menu from the Sabbath menu without saving). A] [will appear in the display and the clock will not display.

Note that if you have a double wall oven, when you place the control into Sabbath mode, both ovens are now in Sabbath mode and available for cooking.

Starting a Continuous Bake

1. Press the **Bake** pad. (For double ovens, this operates the upper oven. If desiring to use Lower Oven, press **Lower Oven** and then **Bake**.)
2. If the desired temperature is 350F, press **Start/Enter**. If a different cooking temperature is desired, use the **1** through **5** number pads to select a preset cooking temperature, then press **Start/Enter**. Refer to the graphic below to determine which pad sets the desired cooking temperature.

After a delay, a second bracket "] [" will appear in the display indicating that the oven is baking.

Temperature (°F)	1	2	3
	200	250	300
Time (hours)	4	5	6
	325	400	2h
	7	8	9
	2.5h	3h	3.5h
	Cancel	0	Start
	Off		Enter
		Lock Controls Hold 3 Sec	
		4h	

1 = 200° F, 2 = 250° F, 3 = 300° F, 4 = 325° F, 5 = 400° F

6 = 2 hours, 7 = 2.5 hours, 8 = 3 hours, 9 = 3.5 hours, 0 = 4 hours

Adjusting the Temperature

Press **Bake** (or press **Lower Oven** and then **Bake** for lower oven in a double oven unit), use the **1** through **5** number pads to select a different preset cooking temperature, and press **Start/Enter**.

Starting a Timed Bake

1. Press the **Bake** pad.
2. If the desired temperature is 350F, use the **6** through **0** number pads to select a cooking time. If a cooking temperature other than 350F is desired, use the **1** through **5** number pads to select a preset cooking temperature, then select the cooking time. Refer to the graphic on this page to determine which pad sets the desired cooking temperature and cooking time.
3. Press **Start/Enter**.

After a delay, a second bracket "] [" will appear in the display indicating that the oven is baking. When the cook time expires, the display will change back to a single bracket "] [" indicating that the oven is no longer baking. No tone will sound when the cook time is complete.

Turning the Oven Off

To turn the oven off, press **Cancel/Off** at any time. **The oven will immediately turn off** and] [will change to] [indicating that the oven has turned off.

NOTE: Each oven of a double wall oven must be turned off separately.

Exit the Sabbath Mode

To exit Sabbath mode, make sure that the oven is turned off. Press and hold the **Bake** and **Broil** pads for 3 seconds to enter special features then press **2** or **8** to scroll to "SABBAH", **6** to edit, **2** or **8** to change setting to **Off**, **6** to save settings, **4** to exit from Special Features menus. The clock will return to the display when Sabbath mode is off.

Sabbath Mode Power Outage Note

If power outage occurs during Sabbath mode the unit will remain in Sabbath mode but off when power is restored.

Oven Racks

Your oven has six rack positions. Recommended rack positions for various types of foods are provided in the Cooking Guide. Adjusting rack position is one way to impact cooking results. For example, if you would prefer darker tops on cakes, muffins, or cookies, try moving food one rack position higher. If you find foods are too brown on top try moving them down next time.

When baking with multiple pans and on multiple racks, ensure there is at least 1½" between pans to allow sufficient space for air to flow.

To avoid possible burns, place the racks in the desired position before you turn the oven on.

Traditional Flat Racks

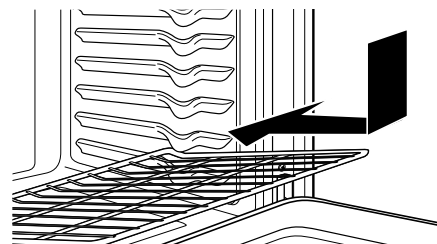
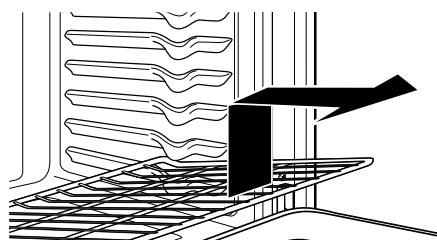
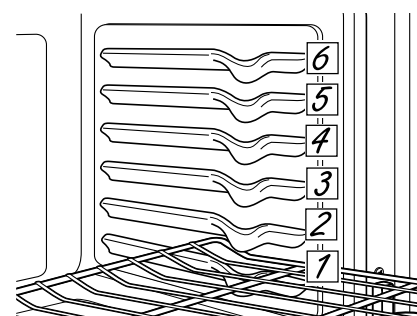
When placing and removing cookware, pull the rack out to the bump (stop position) on the rack support.

To remove a rack, pull it toward you, tilt the front end up and pull it out.

To replace, place the curved end of the rack (stop-locks) onto the oven supports, tilt up the front of the rack and push the rack in.

Racks may become difficult to slide, especially after a self-clean. Put some vegetable oil on a soft cloth or paper towel and rub onto the left and right edges of the racks.

NOTE: Using other cooking oils will cause a discoloring or a rust like color residue on the racks and cavity sides. To clean this residue, use a soap and water or a vinegar and water solution. Rinse with clean water and dry with a soft cloth.



Aluminum Foil and Oven Liners

⚠ CAUTION Do not use any type of foil or oven liner to cover the oven bottom. These items can trap heat or melt, resulting in damage to the product and risk of shock, smoke or fire. Damage from improper use of these items is not covered by the product warranty.

Foil may be used to catch spills by placing a sheet on a lower rack, several inches below the food. Do not use more foil than necessary and never entirely cover an oven rack with aluminum foil. Keep foil at least 1-1/2" from oven walls to prevent poor heat circulation.

Cookware

Cookware Guidelines

The material, finish, and size of cookware affect baking performance.

Dark, coated and dull pans absorb heat more readily than light, shiny pans. Pans that absorb heat more readily can result in a browner, crisper, and thicker crust. If using dark and coated cookware check food earlier than minimum cook time. If undesirable results are obtained with this type of cookware consider reducing oven temperature by 25° F next time.

Shiny pans can produce more evenly cooked baked goods such as cakes and cookies.

Glass and ceramic pans heat slowly but retain heat well. These types of pans work well for dishes such as pies and custards.

Air insulated pans heat slowly and can reduce bottom browning.

Keep cookware clean to promote even heating.

Cooking Modes

Your new oven has a variety of cooking modes to help you get the best results. These modes are described below. Refer to the Cooking Guide section for recommendations for specific foods. Remember, your new oven may perform differently than the oven it is replacing.

Bake

The bake mode is for baking and roasting. This mode uses heat primarily from the lower element but also from the upper element to cook food. When preparing baked goods such as cakes, cookies, and pastries always preheat the oven first. Follow recipe recommendations for food placement. If no guidelines are provided center food in the oven. To use this mode press the **Bake** pad, enter a temperature, and then press **Start**.

Proof

Proof mode is designed for rising (fermenting and proofing) bread doughs. Press the **Proof** pad and then press **Start**. Cover dough well to prevent drying out. Bread will rise more rapidly than at room temperature. Note that for double wall ovens, proof can not be run when running a clean mode in the other oven.

Warm

Warm mode is designed to keep hot foods hot for up to 3 hours. To use this mode, press the **Warm** pad then press **Start**. Cover foods that need to remain moist and do not cover foods that should be crisp. Preheating is not required. Do not use warm to heat cold food other than crisping crackers, chips or dry cereal. It is also recommended that food not be kept warm for more than 2 hours.

Broiling Modes

Always broil with the door closed. The broil element in this oven is very powerful. Monitor food closely while broiling. Use caution when broiling on upper rack positions as placing food closer to the broil element increases smoking, spattering, and the possibility of fats igniting. For best performance center food below the broil heating element. **Broiling on rack position 6 is not recommended.**

Try broiling foods that you would normally grill. Adjust rack positions to adjust the intensity of the heat to the food. Place foods closer to the broil element when a seared surface and rare interior is desired. Thicker foods and foods that need to be cooked through should be broiled on a rack position farther from the broiler or by using Broil Lo.

Broil Hi

The Broil Hi mode uses intense heat from the upper element to sear foods. Use Broil Hi for thinner cuts of meat and/or foods you prefer less done on the interior. To use this mode press the **Broil** pad once and then press **Start**. It is not necessary to preheat when using this mode.

Broil Lo

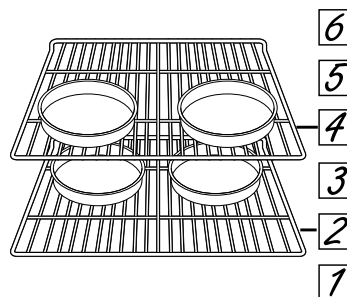
The Broil Lo mode uses less intense heat from the upper element to cook food thoroughly while also producing surface browning. Use Broil Lo for thicker cuts of meat and/or foods that you would like cooked all the way through. To use this mode press the **Broil** pad **twice** and then press **Start**. It is not necessary to preheat when using this mode.

Cooking Guide

FOOD TYPE	RECOMMENDED MODE(S)	RECOMMENDED RACK POSITION(S)	ADDITIONAL SUGGESTIONS
Baked Goods			
Layer cakes, sheet cakes, bundt cakes, muffins, quick breads on a Single Rack	Bake	3	Use shiny cookware.
Layer cakes* on Multiple Racks	Bake	2 and 4	Ensure adequate airflow (see illustration below).
Chiffon cakes (angel food)	Bake	1	Use shiny cookware.
Cookies, biscuits, scones on a Single Rack	Bake	3	Use shiny cookware.
Cookies, biscuits, scones on Multiple Racks	Bake	2 and 4	For foods like sugar cookies, switch food location partially through cooking for more even cooking results between racks. Ensure adequate airflow.
Beef & Pork			
Hamburgers	Broil Hi	5	Use a broil pan; move food down for more doneness/less searing. Watch food closely when broiling. For best performance center food below the broil heating element.
Steaks & Chops	Broil Hi	5	Use a broil pan; move food down for more doneness/less searing. Watch food closely when broiling. For best performance center food below the broil heating element.
Roasts	Bake	2	Leave uncovered, use a low sided pan such as a broil pan. Preheating is not necessary.
Poultry			
Whole chicken	Bake	2	Use a low sided pan such as a broil pan. Preheating is not necessary.
Bone-in chicken breasts, legs, thighs	Broil Lo Bake	3	Broil skin side down first. Watch food closely when broiling. For best performance when broiling, center food below the broil heating element.
Boneless chicken breasts	Broil Lo Bake	3	Move food down for more doneness/less searing and up for greater searing/browning when broiling. For best performance when broiling, center food below the broil heating element.
Whole turkey	Bake	1 or 2	Use a low sided pan such as a broil pan. Preheating is not necessary.
Turkey Breast	Bake	2	Use a low sided pan such as a broil pan. Preheating is not necessary.
Fish	Broil Lo	5 (1/2 thick or less) 4 (>1/2 inch)	Watch food closely when broiling. For best performance center food below the broil heating element.
Casseroles	Bake	3	
Frozen Convenience Foods			
Potato products, chicken nuggets, appetizers on a Single Rack	Bake	3	Use shiny cookware.
Potato products, chicken nuggets, appetizers on Multiple Racks	Bake	2 and 4	Use shiny cookware. Switch food location partially through cooking for more even cooking results.

*When baking four cake layers at a time, use racks 2 and 4. Place the pans as shown so that one pan is not directly above another.

Cook food thoroughly to help protect against food borne illness. Minimum safe food temperature recommendations for food safety can be found at IsItDoneYet.gov. Make sure to use a food thermometer to take food temperatures.



Oven

Be sure electrical power is off and all surfaces are cool before cleaning any part of the oven.

Control Panel

It's a good idea to wipe the control panel after each use. Clean with mild soap and water or vinegar and water, rinse with clean water and polish dry with a soft cloth.

Do not use abrasive cleansers, strong liquid cleansers, plastic scouring pads or oven cleaners on the control panel—they will damage the finish.

Oven Exterior

Do not use oven cleaners, abrasive cleansers, strong liquid cleansers, steel wool, plastic scouring pads, or cleaning powders on the interior or exterior of the oven. Clean with a mild soap and water or vinegar and water solution. Rinse with clean water and dry with a soft cloth. When cleaning surfaces, make sure that they are at room temperature and not in direct sunlight.

If stain on the door vent trim is persistent, use a mild abrasive cleaner and a sponge-scrubber for best results.

Spillage of marinades, fruit juices, tomato sauces and basting liquids containing acids may cause discoloration and should be wiped up immediately. Let hot surfaces cool, then clean and rinse.

Stainless Steel Surfaces (on some models)

Do not use a steel wool pad; it will scratch the surface.

To clean the stainless steel surface, use warm sudsy water or a stainless steel cleaner or polish. Always wipe the surface in the direction of the grain. Follow the cleaner instructions for cleaning the stainless steel surface.

Cleaners with oxalic acid such as Bar Keepers Friend Soft Cleanser™ will remove surface rust, tarnish and small

blemishes. Use only a liquid cleanser free of grit and rub in the direction of the brush lines with a damp, soft sponge.

To inquire about purchasing cleaning products including stainless steel appliance cleaner or polish read the Accessories sections of this manual.

Oven Interior

The interior of your new oven can be cleaned manually or by using the Steam Clean or Self Clean modes.

Spillage of marinades, fruit juices, tomato sauces and basting liquids containing acids may cause discoloration and should be wiped up immediately. Let hot surfaces cool, then clean and rinse.

Manual Cleaning

Do not use oven cleaners, abrasive cleaners, strong liquid cleansers, steel wool, scouring pads, or cleaning powders on the interior of the oven. Clean with a mild soap and water or vinegar and water solution. Rinse with clean water and dry with a soft cloth. When cleaning surfaces, make sure that they are at room temperature.

Steam Clean Mode

Steam clean is intended to clean small spills using water and a lower cleaning temperature than Self-Clean.

To use the Steam Clean feature, wipe grease and soils from the oven. Pour one cup of water into the bottom of the oven. Close the door. Press the **Steam Clean** pad and then press **Start**. The oven door will lock. You can not open the door during the 30 minute steam clean as this will decrease the steam clean performance. At the end of the steam clean cycle the door will unlock. Wipe out any excess water and any remaining soil.

NOTE: Water in the bottom of the oven may be hot right after finishing the cycle.

Self Clean Mode

Read Self-Cleaning Oven Safety Instructions at the beginning of this manual before using Self Clean Mode. Self clean uses very high temperatures to clean the oven interior. The oven door will lock when using this feature. Before operating the self-clean cycle, wipe up grease and soils from the oven. Remove all items from the oven other than enameled (dark color) racks. Shiny or silver racks and any cookware or other items should all be removed from the oven before initiating a self-clean cycle. Close the door. Press the **Self Clean** pad and a default self-clean time is displayed. The clean time can be changed to any time between 3:00 and 5:00 hours by using the number pads to enter a different time and pressing **Start**. For heavily soiled ovens, the maximum 5 hour clean time is recommended. If you wish to use the default time, press the **Start** pad immediately after pressing the **Self Clean** pad. The oven will turn off automatically when the self-clean cycle is complete. The door will stay locked until the oven has cooled down. After the oven has cooled down wipe any ash out of the oven.

IMPORTANT: The health of some birds is extremely sensitive to the fumes given off during the self-cleaning cycle of any range. Move birds to another well-ventilated room.

Oven (Cont.)

Flat Racks

Flat racks that are enameled, not shiny, can be left in the cavity during self clean, or can be washed with warm, soapy water.

Racks may be more difficult to slide, especially after a self-clean. Put some vegetable oil on a soft cloth or paper towel and rub onto the left and right edges.

NOTE: Using other cooking oils will cause a discoloring or a rust like color residue on the racks and cavity sides. To clean this residue, use a soap and water or a vinegar and water solution. Rinse with clean water and dry with a soft cloth.

Oven Light

⚠ WARNING SHOCK OR BURN HAZARD: Before replacing oven light bulb, disconnect the electrical power to the oven at the main fuse or circuit breaker panel. Failure to do so may result in electric shock or burn.

⚠ CAUTION BURN HAZARD: The glass cover and bulb should be removed when cool. Touching hot glass with bare hands or a damp cloth can cause burns.

1. Disconnect power at the main fuse or circuit breaker panel.
2. Remove oven racks.
3. Slide a flat blade screwdriver or butter knife between the metal housing and the glass light cover.
NOTE: on some models there is a metal clip visibly holding the glass. The tool needs inserted between the metal housing and the clip holding the glass.
4. Support the glass light cover with two fingers to prevent the cover from falling to the bottom of the oven.
5. Gently twist the screwdriver blade or butter knife to loosen the glass light cover. Be careful not to chip the oven coating.
6. Remove the glass light cover.
7. Remove the bulb by firmly grasping and sliding the bulb straight out until the two prongs have cleared the ceramic holder.
8. Do not touch the glass of the new replacement bulb with your fingers. It will cause the bulb to fail when it lights. Grasp the replacement bulb with a clean towel or facial tissue with the prongs facing down. Align the two prongs in the ceramic holder, pressing gently until the bulb is securely in the ceramic socket.
9. Slide the protective lens into the holder and push until the clips snap into the housing.
10. Reconnect power.

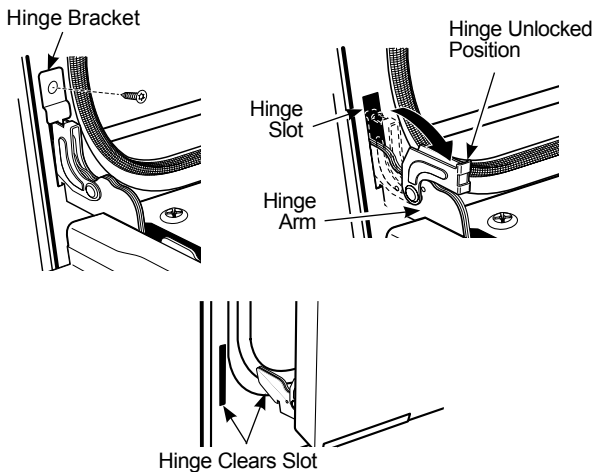
Oven Door

Oven Door Removal

NOTE: Door removal is not a requirement for installation of the product but is an added convenience.

To remove the door:

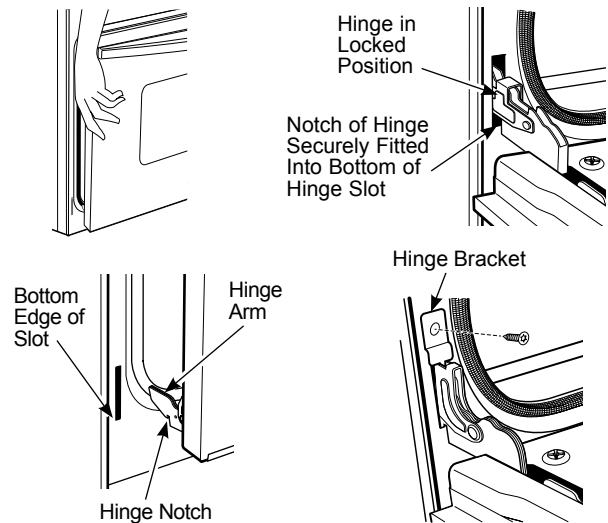
1. Open the oven door as far as it will go.
2. Remove hinge bracket (if present) from front frame and set aside. The hinge bracket must be replaced for proper door functionality when door is reinstalled.
3. Push both hinge locks down toward the door frame to the unlocked position. This may require a flat-blade screwdriver. **DO NOT LIFT THE DOOR BY THE HANDLE!**
4. Place hands on both sides of the door and close the oven door to the removal position (approximately 1"–2" [2.5 cm–5.1 cm] from the closed position).
5. Lift the door up and out until the hinge arms clear the slots. **NOTE:** The oven door is very heavy. Be sure you have a firm grip before lifting the oven door off the hinges. Use caution once the door is removed. Do not lay the door on its handle. This could cause dents or scratches.



Replacing the Oven Door

NOTE: The oven door is heavy. You may need help lifting the door high enough to slide it into the hinge slots. Do not lift the door by the handle.

1. Lift the oven door by grasping each side.
2. With the door at the same angle as the removal position (approximately 1"–2" [2.5 cm–5.1 cm] from the closed position), seat the notch of the hinge arm into the bottom edge of the hinge slot. The notch of the hinge arm must be fully seated into the bottom of the slot.
3. Fully open the door. If the door will not fully open, the indentation is not seated correctly in the bottom edge of the slot.
4. Push the hinge locks up against the front frame of the oven cavity, to the locked position.
5. Replace hinge bracket (if present). The hinge bracket must be replaced for proper door functionality.
6. Close the oven door.






Troubleshooting tips ... Before you call for service

Save time and money! Review the charts on the following pages or visit GEAppliances.com/ge/service-and-support/cookingproducts.htm for helpful articles and support videos before you call for service.

Problem	Possible Cause	What To Do
My new oven doesn't cook like my old one. Is something wrong with the temperature settings?	Your new oven has a different cooking system from your old oven and therefore may cook differently than your old oven.	For the first few uses, follow your recipe times and temperatures carefully. If you still think your new oven is too hot or too cold, you can adjust the temperature yourself to meet your specific cooking preference.
Food does not bake properly	Oven controls improperly set.	See the Cooking Modes section.
	Rack position is incorrect or rack is not level.	See the Cooking Modes section and Cooking Guide.
	Incorrect cookware or cookware of improper size being used.	See the Cookware section.
	Oven temperature needs adjustment.	See the Special Features section.
	Ingredient substitution	Substituting ingredients can change the recipe outcome.
Food does not broil properly	Oven controls improperly set.	Make sure you select the appropriate broil mode.
	Improper rack position being used.	See Cooking Guide for rack location suggestions.
	Food being cooked in a hot pan.	Make sure cookware is cool.
	Cookware not suited for broiling.	Use a pan specifically designed for broiling.
	Aluminum foil used on the broiling pan and grid has not been fitted properly and slit as recommended.	If using aluminum foil conform to pan slits.
	In some areas the power (voltage) may be low.	Preheat the broil element for 10 minutes.
Oven temperature too hot or too cold	Oven temperature needs adjustment.	See the Special Features section.
Oven does not work or appears not to work	A fuse in your home may be blown or the circuit breaker tripped.	Replace the fuse or reset the circuit breaker.
	Oven controls improperly set.	See the Using the Oven section.
	Oven is in Sabbath Mode.	Verify, that the oven is not in Sabbath Mode. See the Special Features section.
"Crackling" or "popping" sound	This is the sound of the metal heating and cooling during both the cooking and cleaning functions.	This is normal.
Why is my range making a "clicking" noise when using my oven?	Your range has been designed to maintain a tighter control over your oven's temperature. You may hear your oven's heating elements "click" on and off more frequently than in older ovens to achieve better results during baking, broiling, and self-clean cycles.	This is normal.
Clock and timer do not work	A fuse in your home may be blown or the circuit breaker tripped.	Replace the fuse or reset the circuit breaker.
Sometimes the oven takes longer to preheat to the same temperature	Cookware or food in oven	The cookware or food in the oven will cause the oven to take longer to preheat. Remove items to reduce preheat time.
	Number of racks in oven	Adding more racks to the oven will cause the oven to take longer to preheat. Remove some racks.

Troubleshooting tips ... Before you call for service

Problem	Possible Cause	What To Do
Oven light does not work	Light bulb is loose or defective.	Tighten or replace bulb.
	Pad operating light is broken.	Call for service.
Oven will not self-clean	The temperature is too high to set a self-clean operation.	Allow the oven to cool and reset the controls.
	Oven controls improperly set.	See the Cleaning the Oven section.
Excessive smoking during clean cycle	Excessive soil or grease..	Press the Cancel/Off pad. Open the windows to rid the room of smoke. Wait until the  goes off. Wipe up the excess soil and reset the clean cycle.
Excessive smoking during broiling	Food too close to burner element.	Lower the rack position of the food.
Oven door will not open after a clean cycle	Oven too hot.	Allow the oven to cool below locking temperature.
Oven not clean after a clean cycle	Oven controls improperly set.	See the Cleaning the Oven section.
	Oven was heavily soiled.	Clean up heavy spillovers before starting the clean cycle. Heavily soiled ovens may need to self-clean again or for a longer period of time.
 flashes in the display	The self-clean cycle has been selected but the door is not closed.	Close the oven door.
 is on when you want to cook	The oven door is locked because the temperature inside the oven has not dropped below the locking temperature.	Press the Cancel/Off pad. Allow the oven to cool.
“F— and a number or letter” flash in the display	You have a function error code.	Press the Cancel/Off pad. Allow the oven to cool for one hour. Put the oven back into operation.
	If the function code repeats.	Disconnect all power to the oven for at least 30 seconds and then reconnect power. If the function error code repeats, call for service.
Display goes blank	A fuse in your home may be blown or the circuit breaker tripped.	Replace the fuse or reset the circuit breaker.
	The clock is turned off.	See the Special features section.
	Oven is in Sabbath Mode.	Verify that the oven is not in Sabbath Mode. See the Special Features section.
Power outage, clock flashes	Power outage or surge	Reset the clock. If the oven was in use, you must reset it by pressing the Cancel/Off pad, setting the clock and resetting any cooking function.
“Burning” or “oily” odor emitting from the vent	This is normal in a new oven and will disappear in time.	To speed the process, set a self-clean cycle for a minimum of 3 hours. See the Cleaning the Oven section. This is temporary.
Strong odor	An odor from the insulation around the inside of the oven is normal for the first few times the oven is used.	This is temporary and will go away after several uses or a self-clean cycle.
Fan noise	A cooling fan may automatically turn on.	This is normal. The cooling fan will turn on to cool internal parts. It may run for up to 1-1/2 hours after the oven is turned off.
My oven door glass appears to be “tinted” or have a “rainbow” color. Is this defective?	No. The inner oven glass is coated with a heat barrier to reflect the heat back into the oven to prevent heat loss and keep the outer door cool while baking.	This is normal. Under certain light or angles, you may see this tint or rainbow color.
Oven will not work remotely	Router issues, no wireless signal, etc.	For assistance with oven wireless network connectivity, please call 800.220.6899.
	Oven is not connected.	

GE Appliances Electric Oven Limited Warranty

GEAppliances.com

All warranty service is provided by our Factory Service Centers, or an authorized Customer Care® technician. To schedule service online, visit us at GEAppliances.com/service_and_support/, or call GE Appliances at 800.GE.CARES (800.432.2737). In Canada, please visit: https://service.geappliances.ca/servicio/en_CA/. Please have your serial number and your model number available when calling for service.

Servicing your appliance may require the use of the onboard data port for diagnostics. This gives a GE Appliances factory service technician the ability to quickly diagnose any issues with your appliance and helps GE Appliances improve its products by providing GE Appliances with information on your appliance. If you do not want your appliance data to be sent to GE Appliances, please advise your technician not to submit the data to GE Appliances at the time of service.

For the period of	GE Appliances will replace
One year From the date of the original purchase	Any part of the oven which fails due to a defect in materials or workmanship. During this limited one-year warranty , GE Appliances will provide, free of charge , all labor and in-home service to replace the defective part.

What GE Appliances will not cover:

- Service trips to your home to teach you how to use the product.
- Improper installation, delivery or maintenance.
- Failure of the product if it is abused, misused, modified or used for other than the intended purpose or used commercially.
- Replacement of house fuses or resetting of circuit breakers.
- Damage to the product caused by accident, fire, floods or acts of God.
- Damage to finish, such as surface rust, tarnish, or small blemishes not reported within 48 hours of delivery.
- Incidental or consequential damage caused by possible defects with this appliance.
- Damage caused after delivery.
- Product not accessible to provide required service.
- Service to repair or replace light bulbs, except for LED lamps.

EXCLUSION OF IMPLIED WARRANTIES

Your sole and exclusive remedy is product repair as provided in this Limited Warranty. Any implied warranties, including the implied warranties of merchantability or fitness for a particular purpose, are limited to one year or the shortest period allowed by law.

This limited warranty is extended to the original purchaser and any succeeding owner for products purchased for home use within the USA. If the product is located in an area where service by a GE Appliances Authorized Servicer is not available, you may be responsible for a trip charge or you may be required to bring the product to an Authorized GE Appliances Service location for service. In Alaska, the limited warranty excludes the cost of shipping or service calls to your home.

Some states do not allow the exclusion or limitation of incidental or consequential damages. This limited warranty gives you specific legal rights, and you may also have other rights which vary from state to state. To know what your legal rights are, consult your local or state consumer affairs office or your state's Attorney General.

Warrantor: GE Appliances, a Haier company

Louisville, KY 40225

Warrantor in Canada: MC Commercial, Burlington, ON, L7R 5B6

Staple your receipt here. Proof of the original purchase date is needed to obtain service under the warranty.

Accessories

Looking For Something More?

GE Appliances offers a variety of accessories to improve your cooking and maintenance experiences!

Refer to the Consumer Support page for phone numbers and website information.

The following products and more are available:

Accessories

Small Broiler Pan (8 ¾" x 1 ¼" x 13 ½")

Large* Broiler Pan (12 ¾" x 1 ¼" x 16 ½")

XL** Broiler Pan (17" x 1 ¼" x 19 1/4")

Parts

Oven racks

27" Never Scrub Glide Rack

30" Never Scrub Glide Rack

Oven elements

Light bulbs

Cleaning Supplies

CitruShine™ Stainless Steel Wipes

CeramaBryte Stainless Steel Appliance Cleaner

Graphite Lubricant***

*The large broiler pan does not fit in 20"/24" ranges.

**The XL broiler pan does not fit in 24" wall ovens, 27" drop ins or 20"/24" ranges.

***For use with Never Scrub glide racks.

Consumer Support

GE Appliances Website

Have a question or need assistance with your appliance? Try the GE Appliances Website 24 hours a day, any day of the year! You can also shop for more great GE Appliances products and take advantage of all our on-line support services designed for your convenience. In the US: **GEAppliances.com**. In Canada: **GEAppliances.ca**.

Register Your Appliance

Register your new appliance on-line at your convenience! Timely product registration will allow for enhanced communication and prompt service under the terms of your warranty, should the need arise. You may also mail in the pre-printed registration card included in the packing material.

In the US: **GEAppliances.com/register**

In Canada: **https://service.geappliances.ca/servicio/en_CA/**

Schedule Service

Expert GE Appliances repair service is only one step away from your door. Get on-line and schedule your service at your convenience any day of the year.

In the US: **GEAppliances.com/service** or call 800.432.2737 during normal business hours.

In Canada: **https://service.geappliances.ca/servicio/en_CA/** or call 800.561.3344.

Extended Warranties

Purchase a GE Appliances extended warranty and learn about special discounts that are available while your warranty is still in effect. You can purchase it on-line anytime. GE Appliances Services will still be there after your warranty expires.

In the US: **GEAppliances.com/extended-warranty** or call 800.626.2224 during normal business hours.

In Canada: **GEAppliances.ca/en/support/purchase-extended-warranty** or call 800.290.9029.

Remote Connectivity

For assistance with wireless network connectivity (for models with remote enable), visit our website at **GEAppliances.com/connect** or call 800.220.6899 in the US.

In Canada: call 800.220.6899.

Parts and Accessories

Individuals qualified to service their own appliances can have parts or accessories sent directly to their homes (VISA, MasterCard and Discover cards are accepted). Order on-line today 24 hours every day.

In the US: **GEApplianceparts.com** or by phone at 877.959.8688 during normal business hours.

Instructions contained in this manual cover procedures to be performed by any user. Other servicing generally should be referred to qualified service personnel. Caution must be exercised, since improper servicing may cause unsafe operation.

Customers in Canada should consult the yellow pages for the nearest Mabe Service Center, visit our Website at **<https://www.geappliances.ca/parts-filters-accessories>** or call 800.661.1616.

Contact Us

If you are not satisfied with the service you receive from GE Appliances, contact us on our Website with all the details including your phone number, or write to:

In the US: General Manager, Customer Relations | GE Appliances, Appliance Park | Louisville, KY 40225

GEAppliances.com/contact

In Canada: Director, Customer Relations, Mabe Canada Inc. | Suite 310, 1 Factory Lane | Moncton, N.B. E1C 9M3

GEAppliances.ca/en/contact-us



FOUR ENCASTRÉ électrique

SÉCURITÉ3

UTILISATION DU FOUR

Commandes du four encastré simple6

Commandes du four encastré double.....7

Fonctions spéciales8

Mode sabbat9

Grilles de four10

Papier d'aluminium et protections pour four10

Ustensiles de cuisson.....10

Modes de cuisson.....11

Guide de cuisson12

ENTRETIEN ET NETTOYAGE

Four13

Lampe du four14

Porte du four.....15

CONSEILS DE DÉPANNAGE16

GARANTIE LIMITÉE18

ACCESSOIRES19

SERVICE À LA CLIENTÈLE20

MANUEL DE L'UTILISATEUR

- JKS3000 - Four encastré simple de 27 po (68,6 cm)
- JTS3000 - Four encastré simple de 30 po (76,2 cm)
- JKD3000 - Four encastré double de 27 po (68,6 cm)
- JTD3000 - Four encastré double de 30 po (76,2 cm)

Inscrivez ici les numéros de modèle et de série :

N° de modèle _____

N° de série _____

Vous trouverez ces numéros sur une étiquette située sur la garniture latérale ou à l'intérieur de la porte du four (four inférieur).

MERCI DE PERMETTRE À ÉLECTROMÉNAGERS GE DE FAIRE PARTIE DE VOTRE FOYER.

Que vous ayez grandi avec des électroménagers GE ou qu'il s'agisse de votre premier appareil GE, nous sommes heureux de vous avoir dans la famille.

Nous sommes fiers du savoir-faire, de l'innovation et du design qui font partie intégrante de tous les électroménagers GE que nous fabriquons, et nous pensons que vous le serez aussi. À cet égard, l'enregistrement de votre appareil nous assure que nous pourrons vous fournir des informations importantes sur votre appareil et des détails sur sa garantie si vous en avez besoin.

Enregistrez votre électroménager GE en ligne dès maintenant. Des sites Web et des numéros de téléphone utiles sont disponibles dans la section « Service à la clientèle » de ce manuel de l'utilisateur. Vous pouvez également envoyer par courrier la carte d'enregistrement préimprimée qui se trouve dans l'emballage de votre appareil.



ÉLECTROMÉNAGERS GE

CONSIGNES DE SÉCURITÉ IMPORTANTES

LISEZ TOUTES LES INSTRUCTIONS AVANT D'UTILISER L'APPAREIL

⚠ AVERTISSEMENT Lisez toutes les consignes de sécurité avant d'utiliser le produit. Le non-respect de ces instructions peut entraîner un incendie, une décharge électrique, des blessures graves ou fatales.

⚠ AVERTISSEMENT CONSIGNES DE SÉCURITÉ GÉNÉRALES

- Cet appareil ne doit être utilisé qu'aux fins prévues et décrites dans ce manuel.
- Assurez-vous que votre appareil est correctement installé et mis à la terre par un technicien qualifié, conformément aux instructions d'installation fournies.
- Ne tentez pas de réparer ou de remplacer une pièce du four, sauf si cela est spécifiquement recommandé dans ce manuel. Toute autre réparation doit être effectuée par un technicien qualifié.
- Avant d'effectuer une réparation, coupez l'alimentation électrique du four au niveau du tableau de distribution de votre domicile (fusible ou disjoncteur).
- Ne laissez pas les enfants seuls – les enfants ne devraient pas être laissés seuls ou sans surveillance à proximité d'un appareil électroménager en cours d'utilisation. Ils ne devraient jamais être autorisés à grimper, s'asseoir ou se tenir debout sur aucune des parties de l'appareil.
- **⚠ ATTENTION** Ne rangez pas d'objets pouvant intéresser les enfants dans les armoires situées au-dessus d'un four, les enfants s'exposeraient à de graves blessures s'ils grimpaient sur le four pour les atteindre.
- Utilisez uniquement des poignées isolantes sèches. La vapeur émise par des poignées humides en contact avec une surface chaude pourrait vous brûler. Ne laissez pas les poignées entrer en contact avec les éléments chauffants chauds. N'utilisez pas de torchon ou d'autre tissu épais à la place de poignées isolantes.
- N'utilisez jamais votre appareil pour chauffer ou réchauffer la pièce.
- Ne touchez pas les éléments chauffants ou la surface intérieure du four. Ces surfaces, bien que de couleur foncée, peuvent être suffisamment chaudes pour causer des brûlures. Pendant et après l'utilisation, ne touchez pas l'intérieur du four et ne laissez aucun tissu ou matériau inflammable entrer en contact avec celui-ci. Laissez d'abord le four refroidir. D'autres surfaces de l'appareil peuvent devenir suffisamment chaudes pour causer des brûlures. Les surfaces qui peuvent être chaudes comprennent les ouvertures des événements, les surfaces situées autour de ces ouvertures de même que les interstices situés autour de la porte de four.
- Ne faites pas chauffer de récipients fermés. La pression accumulée risquerait de faire éclater le récipient et de causer des blessures.
- Ne recouvrez pas la sole du four de papier d'aluminium ni de protection pour four d'aucune sorte, sauf celle décrite dans ce manuel. Les protections pour four sont susceptibles de retenir la chaleur ou de fondre, ce qui pourrait endommager l'électroménager ou provoquer un risque d'électrocution, de la fumée ou un incendie.
- Évitez de rayer ou de heurter les portes en verre ou les tableaux de commande. Cela pourrait entraîner un bris du verre. Ne cuisinez pas sur un appareil dont le verre est brisé. Un choc électrique, un incendie ou des blessures par coupure pourraient en résulter.
- Faites bien cuire la viande et la volaille. La température interne de la viande doit atteindre au moins 160 °F (71 °C) et celle de la volaille au moins 180 °F (82 °C). La cuisson à ces températures protège habituellement contre les intoxications alimentaires.

⚠ AVERTISSEMENT CONSERVEZ LES MATÉRIAUX INFLAMMABLES À BONNE DISTANCE DU FOUR

Le non-respect de cette consigne pourrait causer un incendie ou des blessures.

- N'entrez pas et n'utilisez pas de matières inflammables dans ou à proximité du four, notamment du papier, du plastique, des poignées, du tissu, des revêtements muraux, des rideaux, des draperies et tout type de vapeur ou de liquide inflammable.
- Ne portez jamais de vêtements amples ou qui pendent lorsque vous utilisez cet appareil. Ces vêtements pourraient prendre feu au contact des surfaces chaudes et causer de graves brûlures.
- Ne laissez pas de graisse de cuisson ou d'autres matières inflammables s'accumuler à l'intérieur ou près du four. La graisse dans le four ou à proximité du four peut s'enflammer.
- **Fonctionnement à distance** – Cet appareil peut être configuré pour permettre le fonctionnement à distance en tout temps. Ne rangez pas de matières inflammables ou d'articles sensibles à la chaleur à l'intérieur de cet appareil.

LISEZ ET CONSERVEZ CES INSTRUCTIONS

CONSIGNES DE SÉCURITÉ IMPORTANTES

LISEZ TOUTES LES INSTRUCTIONS AVANT D'UTILISER L'APPAREIL

▲ AVERTISSEMENT EN CAS D'INCENDIE, SUIVEZ LES ÉTAPES CI-DESSOUS POUR ÉVITER LES BLESSURES ET EMPÊCHER L'INCENDIE DE SE PROPAGER

- Ne versez pas d'eau sur un feu de friture. N'essayez jamais de soulever un ustensile de cuisson en feu.
- Si un feu se déclenche dans le four pendant la cuisson, étouffez les flammes provenant du four en fermant la porte et en arrêtant le four ou en utilisant un extincteur chimique ou à mousse, à usages multiples.
- Si un feu se déclenche dans le four pendant l'autonettoyage, arrêtez le four et attendez que le feu s'éteigne. Ne tentez pas d'ouvrir la porte par la force. L'introduction d'air frais dans le four lorsque celui-ci est à une température d'autonettoyage peut provoquer la projection d'un jet de flammes. Le non-respect de cette consigne peut engendrer de graves brûlures.

▲ AVERTISSEMENT CONSIGNES DE SÉCURITÉ POUR LE FOUR

- Éloignez-vous du four lorsque vous ouvrez sa porte. De l'air chaud ou de la vapeur s'échappant du four pourrait brûler vos mains, votre visage et/ou vos yeux.
- Assurez-vous que l'évent de four n'est pas obstrué.
- Assurez-vous que de la graisse ne s'accumule pas dans le four. La graisse située dans le four peut s'enflammer.
- Disposez les grilles à l'emplacement désiré lorsque le four est froid. Si vous devez déplacer une grille lorsque le four est chaud, ne laissez pas la poignée isolante entrer en contact avec l'élément chauffant du four.
- Lorsque vous mettez des sachets de cuisson ou de rôtissage dans le four, suivez les instructions de leur fabricant.
- Tirer les grilles standard vers leurs butées d'arrêt, ou la grille coulissante jusqu'à sa position d'ouverture complète, est pratique pour soulever les plats lourds. Cela permet également de se protéger contre les brûlures causées par le contact avec les surfaces chaudes de la porte ou des parois du four.
- Ne laissez pas d'articles comme du papier, des ustensiles de cuisine ou des aliments dans le four lorsque celui-ci n'est pas utilisé. Les articles entreposés dans le four pourraient s'enflammer.
- Ne placez jamais d'ustensiles de cuisson, des pierres de cuisson ou à pizza, du papier d'aluminium ou d'autres types de protection sur la sole du four. Ils sont susceptibles de retenir la chaleur ou de fondre, ce qui pourrait endommager le produit ou provoquer un choc électrique, de la fumée ou un incendie.

▲ AVERTISSEMENT CONSIGNES DE SÉCURITÉ POUR LE FOUR AUTONETTOYANT

La fonction d'autonettoyage règle le four à une température suffisamment élevée pour brûler les résidus alimentaires présents dans le four. Suivez ces consignes pour un fonctionnement sécuritaire.

- Ne touchez pas aux surfaces chaudes du four pendant l'autonettoyage. Gardez les enfants à bonne distance du four pendant l'autonettoyage. Le non-respect de ces instructions pourrait causer des blessures.
- Avant de lancer la fonction d'autonettoyage, retirez les grilles de four de couleur argentée brillante (sur certains modèles), la sonde, toute feuille d'aluminium et toute lèchefrite, grille et autres ustensiles de cuisine. Les grilles de four à revêtement de porcelaine peuvent être laissées dans le four.
- Avant de faire fonctionner le programme d'autonettoyage, essuyez la graisse et les saletés alimentaires du four. Un excès de graisse pourrait prendre feu et la fumée pourrait endommager votre domicile.

LISEZ ET CONSERVEZ CES INSTRUCTIONS

CONSIGNES DE SÉCURITÉ IMPORTANTES

LISEZ TOUTES LES INSTRUCTIONS AVANT D'UTILISER L'APPAREIL

⚠ AVERTISSEMENT

CONSIGNES DE SÉCURITÉ POUR LE FOUR AUTONETTOYANT (suite)

- Si la fonction d'autonettoyage fonctionne mal, éteignez le four et coupez l'alimentation. Contactez un technicien qualifié pour faire réparer l'appareil.
- Ne nettoyez pas le joint de la porte. Ce joint est essentiel pour assurer une bonne étanchéité de la porte. Prenez soin de ne pas frotter, d'endommager ou de déplacer le joint.
- N'utilisez pas de produits de nettoyage pour four. N'utilisez pas de produit commercial de nettoyage pour four ou de revêtement protecteur pour four sur aucune des parties internes ou externes du four.

Le dispositif d'activation à distance installé dans ce four a été testé et déclaré conforme aux limites d'un appareil numérique de classe B, conformément à la partie 15 des règlements de la FCC. Ces limites ont été mises en place pour :

a) assurer une protection raisonnable contre les interférences en milieu résidentiel. Cet appareil génère, utilise et émet des fréquences radio. S'il n'est pas installé et utilisé conformément aux instructions, il peut générer des interférences perturbant les radiocommunications. Cependant, rien ne garantit que des interférences ne surviendront pas dans une installation particulière. Si cet appareil provoque des interférences qui perturbent la réception des ondes radio ou de télévision (cela peut être vérifié en arrêtant l'appareil, puis en le remettant en marche), l'utilisateur devrait essayer une ou plusieurs des méthodes suivantes pour éliminer les interférences :

- Réorienter ou changer l'emplacement de l'antenne réceptrice.
 - Augmenter la distance entre l'appareil et le récepteur.
 - Brancher l'appareil dans une prise de courant ou sur un circuit différent du récepteur.
 - Demander de l'aide du détaillant de l'appareil ou d'un technicien en radio/télévision expérimenté.
- b)** accepter toute interférence reçue, y compris les interférences risquant d'engendrer un fonctionnement indésirable.

Veillez noter que tout changement ou toute modification apportés au dispositif de communication sans fil de cet appareil qui n'est pas expressément approuvé par le fabricant peut annuler votre droit à l'utiliser.

Pour retirer la pellicule protectrice et le ruban adhésif d'emballage

Saisissez soigneusement un des coins de la pellicule protectrice avec vos doigts et décollez-la doucement de la surface de l'appareil. N'utilisez aucun objet coupant pour enlever la pellicule. Retirez toute la pellicule avant d'utiliser l'appareil pour la première fois.

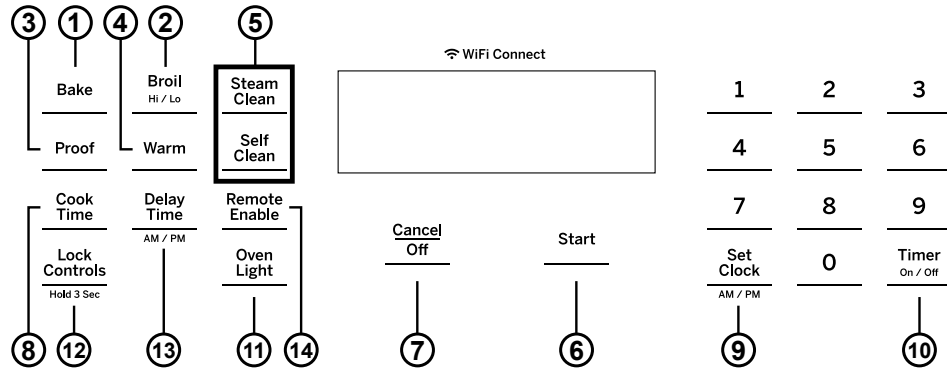
Pour vous assurer de ne pas endommager le fini de l'appareil lorsque vous enlevez la colle laissée par le ruban adhésif d'emballage, la méthode la plus sûre consiste à utiliser un détergent à vaisselle. Appliquez le produit choisi avec un chiffon doux et laissez-le pénétrer.

REMARQUE : Vous devez enlever la colle résiduelle de toutes les pièces. Vous ne pourrez plus l'enlever après si elle cuit.

LISEZ ET CONSERVEZ CES INSTRUCTIONS

Commandes du four encastré simple

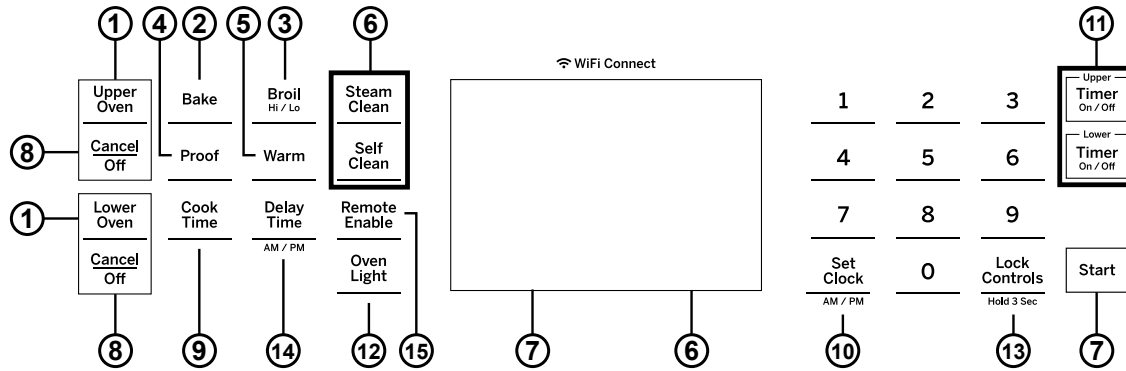
La forme des boutons de commande est fournie à titre d'information seulement; l'apparence de vos boutons peut être différente.



- 1. Bake (cuisson au four) :** Appuyez sur cette touche pour sélectionner la fonction de cuisson au four. Veuillez vous reporter à la section « Modes de cuisson » pour plus de détails.
- 2. Broil (gril) :** Appuyez sur cette touche pour sélectionner la fonction de gril. Veuillez vous reporter à la section « Modes de cuisson » pour plus de détails.
- 3. Proof (fermentation) :** Aide à faire lever la pâte à pain à la levure. Veuillez vous reporter à la section « Modes de cuisson » pour plus de détails.
- 4. Warm (maintien au chaud) :** Permet de maintenir au chaud les aliments déjà chauds. Veuillez vous reporter à la section « Modes de cuisson » pour plus de détails.
- 5. Nettoyage :** Votre four propose deux modes de nettoyage : l'autonettoyage (Self Clean) et le nettoyage à la vapeur (Steam Clean). Reportez-vous à la section sur le nettoyage du four pour obtenir des renseignements importants sur ces modes.
- 6. Start (mise en marche) :** Vous devez appuyer sur cette touche pour commencer chaque fonction de cuisson, de nettoyage ou fonction minutée.
- 7. Cancel/Off (annuler/arrêt) :** Appuyez sur cette touche pour annuler TOUTES les fonctions du four, sauf l'horloge et la minuterie.
- 8. Cook Time (cuisson minutée) :** Effectue le décompte de la durée de cuisson et éteint le four lorsque la durée de cuisson est complétée. Lancez une cuisson au four ou la fonction de maintien au chaud, mais n'appuyez pas sur **Start** (mise en marche). Appuyez sur la touche **Cook Time** (cuisson minutée), utilisez le pavé numérique pour programmer la durée de cuisson en heures et en minutes, puis appuyez sur **Start** (mise en marche).
- 9. Set Clock (réglage de l'horloge) :** Permet de régler l'horloge du four. Appuyez sur la touche **Set Clock** (réglage de l'horloge), puis sur les touches numériques pour régler l'heure. Appuyez sur **Set Clock** (réglage de l'horloge) pour alterner entre AM et PM. Appuyez sur la touche **Start** (mise en marche) pour confirmer l'heure.
- 10. Timer (minuterie) :** Sert de minuterie. Appuyez sur la touche **Timer** (minuterie) et sur les touches numériques pour programmer les heures et les minutes. Appuyez sur la touche **Start** (mise en marche). La commande émettra un bip lorsqu'il restera une minute et l'afficheur montrera le nombre de secondes restantes jusqu'à « :00 ». Le four continue de fonctionner lorsque le décompte de la minuterie tombe à zéro. Pour arrêter la minuterie, appuyez sur la touche **Timer** (minuterie).
- 11. Oven Light (lampe du four) :** Appuyez sur cette touche pour allumer ou éteindre la ou les lampes du four. Veuillez noter que lorsque vous ouvrez la porte d'un four, cela a seulement pour effet d'allumer la lampe de ce four.
- 12. Lock Controls (verrouillage des commandes) :** Permet de verrouiller les commandes de façon à ce que les touches n'activent aucune fonction. Appuyez sur la touche **Lock Controls** (verrouillage des commandes) et maintenez-la enfoncée pendant trois secondes pour verrouiller ou déverrouiller les commandes. Verrouiller les commandes annulera les fonctions actives autres que celle de la minuterie.
- 13. Delay Time (cuisson différée) :** Permet de régler l'heure de mise en marche du four. Utilisez cette touche pour régler l'heure à laquelle vous voulez que le four se mette en marche. Lancez une cuisson au four ou un autonettoyage, mais n'appuyez pas sur **Start** (mise en marche). Appuyez sur la touche **Delay Time** (cuisson différée) et utilisez les touches numériques pour programmer l'heure à laquelle le four doit se mettre en marche. Utilisez **Delay Time** (cuisson différée) pour alterner entre AM et PM*, puis appuyez sur **Start** (mise en marche). Avec la cuisson au four, une durée de cuisson peut également être programmée. Suivez les indications sous « Cook Time (cuisson minutée) » pour régler cette fonction. La cuisson différée ne peut être utilisée qu'en mode de cuisson au four et d'autonettoyage.
REMARQUE : Lorsque vous utilisez la fonction de cuisson différée, les aliments rapidement périssables, comme le lait, les œufs, le poisson, la farce, la volaille ou le porc, ne doivent pas être laissés à température ambiante pendant plus d'une heure avant ou après la cuisson. Les bactéries nocives prolifèrent rapidement à la température ambiante. Assurez-vous que la lampe du four est éteinte : la chaleur provenant de l'ampoule accélère la prolifération des bactéries nocives.
* Pour certains modèles, « AM » et « PM » ne s'affichent pas. Pour ces modèles, vous devrez changer le format d'affichage de l'horloge au mode 24 heures si la mise en marche différée se situe après midi (12 h 00). Consultez la section « Fonctions spéciales » du présent manuel pour les instructions sur la manière de changer les réglages d'affichage de l'horloge.
- 14. Remote Enable (commande à distance) :**
CONNEXION DE VOTRE FOUR
 Icône éteinte – Le four n'est pas connecté. Ouvrez l'application, puis maintenez enfoncée la touche **Remote Enable** (commande à distance) pendant cinq secondes pour commencer la procédure de connexion.
 Clignotement lent de l'icône – Le four est en mode détection et recherche un réseau.
 Clignotement rapide de l'icône – Une erreur s'est produite durant le processus de connexion.
 Icône allumée en continu – Le four est connecté au réseau et il est possible de le contrôler à distance avec un appareil mobile connecté lorsqu'il est en marche, mais il ne peut être démarré à distance.
MISE EN MARCHÉ À DISTANCE DE VOTRE FOUR
REMOTE (à distance)
 Pour être en mesure de démarrer le four à distance, appuyez sur la touche **Remote Enable** (commande à distance) et l'icône **REMOTE** s'allumera sur l'afficheur. Le four peut maintenant être démarré à distance avec un appareil connecté. L'icône **REMOTE** doit être allumée pour démarrer le four à distance. L'icône **REMOTE** n'est pas nécessaire pour modifier les réglages du four ou l'éteindre. Après avoir utilisé le four, pensez à vérifier que l'icône **REMOTE** est affichée si vous souhaitez démarrer le four à distance à l'avenir. Pour déconnecter votre téléphone de la commande à distance, appuyez sur la touche « Remote Enable » (commande à distance) et l'icône « **REMOTE** » s'éteindra.

Commandes du four encastré double

La forme des boutons de commande est fournie à titre d'information seulement; l'apparence de vos boutons peut être différente.



- Upper Oven (four supérieur) et Lower Oven (four inférieur) :** Indiquent le four sur lequel les commandes agiront.
- Bake (cuisson au four) :** Appuyez sur cette touche pour sélectionner la fonction de cuisson au four. Veuillez vous reporter à la section « Modes de cuisson » pour plus de détails.
- Broil (gril) :** Appuyez sur cette touche pour sélectionner la fonction de gril. Veuillez vous reporter à la section « Modes de cuisson » pour plus de détails.
- Proof (fermentation) :** Aide à faire lever la pâte à pain à la levure. Veuillez vous reporter à la section « Modes de cuisson » pour plus de détails. Veuillez noter qu'il n'est pas possible de réaliser une fermentation lorsqu'un mode de nettoyage est en cours dans le four inférieur.
- Warm (maintien au chaud) :** Permet de maintenir au chaud les aliments déjà chauds. Veuillez vous reporter à la section « Modes de cuisson » pour plus de détails.
- Nettoyage :** Votre four propose deux modes de nettoyage : l'autonettoyage (**Self Clean**) et le nettoyage à la vapeur (**Steam Clean**). Reportez-vous à la section sur le nettoyage du four pour obtenir des renseignements importants sur ces modes. Veuillez noter qu'il n'est pas possible de réaliser une fermentation lorsqu'un mode de nettoyage est en cours dans le four inférieur.
- Start (mise en marche) :** Vous devez appuyer sur cette touche pour commencer chaque fonction de cuisson, de nettoyage ou fonction minutée.
- Cancel/Off (annuler/arrêt) :** Appuyez sur cette touche pour annuler TOUTES les fonctions du four, sauf l'horloge et la minuterie.
- Cook Time (cuisson minutée) :** Effectue le décompte de la durée de cuisson et éteint le four lorsque la durée de cuisson est complétée. Lancez une cuisson au four ou la fonction de maintien au chaud, mais n'appuyez pas sur **Start** (mise en marche). Appuyez sur la touche **Cook Time** (cuisson minutée), utilisez le pavé numérique pour programmer la durée de cuisson en heures et en minutes, puis appuyez sur **Start** (mise en marche).
- Set Clock (réglage de l'horloge) :** Permet de régler l'horloge du four. Appuyez sur la touche **Set Clock** (réglage de l'horloge), puis sur les touches numériques pour régler l'heure. Appuyez sur **Set Clock** (réglage de l'horloge) pour alterner entre AM et PM. Appuyez sur la touche **Start** (mise en marche) pour confirmer l'heure.
- Timer (minuterie) :** Sert de minuterie. Appuyez sur la touche **Timer** (minuterie) et sur les touches numériques pour programmer les heures et les minutes. Appuyez sur la touche **Start** (mise en marche). La commande émettra un bip lorsqu'il restera une minute et l'afficheur montrera le nombre de secondes restantes jusqu'à « :00 ». Le four continue de fonctionner lorsque le décompte de la minuterie tombe à zéro. Pour arrêter la minuterie, appuyez sur la touche **Timer** (minuterie).
- Oven Light (lampe du four) :** Appuyez sur cette touche pour allumer ou éteindre la ou les lampes des deux fours. Veuillez noter que lorsque vous ouvrez la porte d'un four, cela a seulement pour effet d'allumer la lampe de ce four.
- Lock Controls (verrouillage des commandes) :** Permet de verrouiller les commandes de façon à ce que les

touches n'activent aucune fonction. Appuyez sur la touche **Lock Controls** (verrouillage des commandes) et maintenez-la enfoncée pendant trois secondes pour verrouiller ou déverrouiller les commandes. Verrouiller les commandes annulera les fonctions actives autres que celle de la minuterie.

- Delay Time (cuisson différée) :** Permet de régler l'heure de mise en marche du four. Utilisez cette touche pour régler l'heure à laquelle vous voulez que le four se mette en marche. Lancez une cuisson au four ou un autonettoyage, mais n'appuyez pas sur **Start** (mise en marche). Appuyez sur la touche **Delay Time** (cuisson différée) et utilisez les touches numériques pour programmer l'heure à laquelle le four doit se mettre en marche. Utilisez **Delay Time** (cuisson différée) pour alterner entre AM et PM*, puis appuyez sur **Start** (mise en marche). Avec la cuisson au four, une durée de cuisson peut également être programmée. Suivez les indications sous « Cook Time (cuisson minutée) » pour régler cette fonction. La cuisson différée ne peut être utilisée qu'en mode de cuisson au four et d'autonettoyage.

REMARQUE : Lorsque vous utilisez la fonction de cuisson différée, les aliments rapidement périssables, comme le lait, les œufs, le poisson, la farce, la volaille ou le porc, ne doivent pas être laissés à température ambiante pendant plus d'une heure avant ou après la cuisson. Les bactéries nocives prolifèrent rapidement à la température ambiante. Assurez-vous que la lampe du four est éteinte : la chaleur provenant de l'ampoule accélère la prolifération des bactéries nocives.

* Pour certains modèles, « AM » et « PM » ne s'affichent pas. Pour ces modèles, vous devrez changer le format d'affichage de l'horloge au mode 24 heures si la mise en marche différée se situe après midi (12 h 00). Consultez la section « Fonctions spéciales » du présent manuel pour les instructions sur la manière de changer les réglages d'affichage de l'horloge.

- Remote Enable (commande à distance) :**

CONNEXION DE VOTRE FOUR


Icône éteinte – Le four n'est pas connecté. Ouvrez l'application, puis maintenez enfoncée la touche **Remote Enable** (commande à distance) pendant cinq secondes pour commencer la procédure de connexion.

Clignotement lent de l'icône – Le four est en mode détection et recherche un réseau.

Clignotement rapide de l'icône – Une erreur s'est produite durant le processus de connexion.

Icône allumée en continu – Le four est connecté au réseau et il est possible de le contrôler à distance avec un appareil mobile connecté lorsqu'il est en marche, mais il ne peut être démarré à distance.

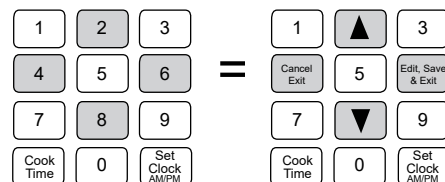
MISE EN MARCHÉ À DISTANCE DE VOTRE FOUR

 **REMOTE** (à distance)

Pour être en mesure de démarrer le four à distance, appuyez sur la touche **Remote Enable** (commande à distance) et l'icône **REMOTE** s'allumera sur l'afficheur. Le four peut maintenant être démarré à distance avec un appareil connecté. L'icône **REMOTE** doit être allumée pour démarrer le four à distance. L'icône **REMOTE** n'est pas nécessaire pour modifier les réglages du four ou l'éteindre. Pour déconnecter votre téléphone de la commande à distance, appuyez sur la touche **Remote Enable** (commande à distance) et l'icône **REMOTE** s'éteindra. Après avoir utilisé le four, pensez à vérifier que l'icône **REMOTE** est affichée si vous souhaitez démarrer le four à distance à l'avenir.

Fonctions spéciales

Votre four encastré comporte de nombreuses fonctions spéciales. Pour modifier les réglages de ces fonctions spéciales, appuyez simultanément sur les touches **Bake** (cuisson au four) et **Broil** (gril) et maintenez-les enfoncées pendant trois secondes. « **OFFSET** » (« **OFFSET** » sur des fours doubles) s'affichera. Pour chacune des fonctions ci-dessous, sélectionnez et modifiez la fonction que vous souhaitez changer en utilisant les touches **8** et **2** pour faire défiler vers le haut et le bas, la touche **6** pour modifier (Edit) (ou enregistrer et quitter [**Save and Exit**]), et la touche **4** pour retourner au menu précédent sans enregistrer.



Réglage de la température du four (OFFSET)

Cette fonction permet de régler la température de cuisson au four jusqu'à 35 °F (19,5 °C) plus chaude ou plus froide. Utilisez cette fonction si vous pensez que la température de votre four est trop élevée ou trop basse et que vous souhaitez la modifier.

Dans le cas des modèles à four double, les températures du four supérieur et du four inférieur peuvent être réglées séparément. N'utilisez pas de thermomètre, comme ceux que l'on trouve dans les épiceries, pour vérifier le réglage de température de votre four. Ce type de thermomètre peut varier de 20 à 40 °F (11 à 22 °C) des températures réelles. Naviguez jusqu'à « **OFFSET** » pour les fours simples, « **OFFSET** » pour le four supérieur ou « **OFFSET** » pour le four inférieur. Appuyez sur **6** pour modifier le décalage. « 0 » ou un nombre entre +35 et -35 s'affichera. Appuyez sur **2** pour augmenter, **8** pour diminuer. -35 °F à +35 °F (-19,5 °C à +19,5 °C) est la plage de décalage disponible. Appuyez sur **6** pour enregistrer et quitter. Appuyez sur **4** pour quitter le menu sans enregistrer.

Volume sonore (SOUND)

Cette fonction permet de régler le volume des sons produits par le four. Naviguez jusqu'à « **SOUND** » et appuyez sur **6** pour afficher ou changer le réglage actuel. Défiler vous permet d'écouter chaque niveau sonore.

Signaux de fin de la minuterie (ENDTONE)

Son émis lorsque la minuterie revient à zéro. Le son émis peut être continu « **CONTBEEP** » ou un bip répété « **BEEP** ». Si la fonction est réglée à un son continu, il faut appuyer sur une touche pour l'interrompre. Naviguez jusqu'à « **ENDTONE** » et appuyez sur **6** pour afficher ou changer le réglage actuel.

Affichage de la température en degrés Fahrenheit ou Celsius (UNITDEG)

Les commandes du four sont réglées en degrés Fahrenheit (F), mais vous pouvez les modifier pour utiliser les degrés Celsius (C). Naviguez jusqu'à « **UNITDEG** » et appuyez sur **6** pour afficher ou changer le réglage actuel.

Affichage de l'horloge (CLOCKDISP)

Cette fonction active et désactive l'horloge dans l'afficheur. Naviguez jusqu'à « **CLOCKDISP** » et appuyez sur **6** pour afficher ou changer le réglage actuel.

Configuration de l'horloge (CLOCKCFG)

Cette fonction sert à spécifier l'affichage de l'heure du jour, ou à masquer l'affichage de l'heure du jour. Vous pouvez sélectionner un affichage en mode 12 heures standard (12H) ou en mode 24 heures (24H). Naviguez jusqu'à « **CLOCKCFG** » et appuyez sur **6** pour afficher ou changer le réglage actuel.

Arrêt automatique après 12 heures (12HR)

Lorsque cette fonction est activée, le four s'arrêtera automatiquement après 12 heures de fonctionnement continu. Naviguez jusqu'à « **12HR** » et appuyez sur **6** pour afficher ou changer le réglage actuel.

Mode sabbat

Le mode sabbat désactive les lumières du four (la lumière du four ne s'allumera pas lorsque la porte sera ouverte), tous les sons (le tableau de commande n'émettra pas de bip lorsque vous appuyerez sur une touche), ainsi que les fonctions de gril, maintien au chaud, fermentation, cuisson minutée, minuterie, horloge et cuisson différée. Le mode sabbat peut uniquement être utilisé en mode de cuisson au four Bake. Cette fonction est conforme aux exigences de Star-K (sabbat juif).

Activer le mode sabbat

- Maintenez les touches **Bake** (cuisson au four) et **Broil** (gril) pendant trois secondes pour entrer dans les fonctions spéciales.
- Appuyez sur les touches **8** et **2** pour faire défiler vers le haut et le bas jusqu'à ce que « **SABBATH** » s'affiche. Utilisez la touche **6** pour afficher et modifier le réglage actuel, **2** et **8** pour changer le réglage, et **6** de nouveau pour **enregistrer**, **4** pour sortir des fonctions spéciales et démarrer le mode sabbat. (Sinon, utilisez la touche **4** pour retourner au menu précédent à partir du menu sabbat sans enregistrer). Un crochet fermant (« **]** ») s'affichera à l'écran et l'horloge ne s'affichera plus.

Veuillez noter que si vous avez un four encastré double, lorsque vous mettez la commande en mode sabbat, les deux fours sont alors dans ce mode et sont disponibles pour réaliser une cuisson au four.

Démarrer une cuisson continue

- Appuyez sur la touche **Bake** (cuisson au four). (Pour les fours doubles, cela fait fonctionner le four supérieur. Si vous souhaitez utiliser le four inférieur, appuyez sur **Lower Oven** [four inférieur] puis sur **Bake** [cuisson au four].)
- Si la température de cuisson désirée est de 350 °F (177 °C), appuyez sur **Start/Enter** (départ/entrer). Si vous désirez utiliser une autre température de cuisson, appuyez sur les touches numériques de **1** à **5** pour sélectionner une température de cuisson pré réglée, puis appuyez sur **Start/Enter** (départ/entrer). Reportez-vous à l'illustration ci-dessous pour déterminer à quelle touche correspondent les différentes températures pré réglées.

Après un certain délai, un second crochet (« **]** ») s'affichera pour indiquer que le four est en mode de cuisson.

Température (°F)	1	2	3
	200	250	300
Temps (heures)	4	5	6
	325	400	2 h
	7	8	9
	2,5 h	3 h	3,5 h
	Cancel Off	0	Start Enter
		Lock Controls Hold 3 Sec	
		4 h	

1 = 200 °F (93 °C), 2 = 250 °F (121 °C), 3 = 300 °F (149 °C),
4 = 325 °F (163 °C), 5 = 400 °F (204 °C)

6 = 2 heures, 7 = 2,5 heures, 8 = 3 heures, 9 = 3,5 heures, 0 = 4 heures

Régler la température du four

Appuyez sur **Bake** (cuisson au four) (ou appuyez sur **Lower Oven** [four inférieur], puis sur **Bake** [cuisson au four] pour le four inférieur dans le cas d'un four double). Ensuite, appuyez sur les touches numériques de **1** à **5** pour sélectionner une autre température de cuisson pré réglée, puis appuyez sur **Start/Enter** (départ/entrer).

Démarrer une cuisson minutée

- Appuyez sur la touche **Bake** (cuisson au four).
- Si vous désirez utiliser une température de cuisson de 350 °F (177 °C), appuyez sur les touches numériques de **6** à **0** pour sélectionner une durée de cuisson. Si vous désirez utiliser une température de cuisson autre que 350 °F (177 °C), appuyez sur les touches numériques de **1** à **5** pour sélectionner une température de cuisson pré réglée, puis sélectionnez une durée de cuisson. Reportez-vous à l'illustration de cette page pour déterminer à quelle touche correspondent les différentes températures et durées de cuisson.
- Appuyez sur la touche **Start/Enter** (départ/entrer)

Après un certain délai, un second crochet (« **]** ») s'affichera pour indiquer que le four est en mode de cuisson. Lorsque la durée de cuisson est écoulée, un seul crochet (« **]** ») sera de nouveau affiché pour indiquer que le four n'est plus en mode de cuisson. Aucun signal sonore ne se fera entendre lorsque le temps de cuisson sera terminé.

Éteindre le four

Pour éteindre le four, vous pouvez appuyer en tout temps sur la touche **Cancel/Off** (annuler/arrêt). **Le four s'éteint immédiatement** et les symboles « **]** » passent à « **]** », indiquant que le four est éteint.

REMARQUE : Chaque four encastré double doit être éteint séparément.

Quitter le mode sabbat

Pour sortir du mode sabbat, assurez-vous que le four est éteint. Maintenez les touches **Bake** (cuisson au four) et **Broil** (gril) enfoncées pendant trois secondes pour entrer dans les fonctions spéciales, puis appuyez sur **2** ou **8** pour faire défiler jusqu'à « **SABBATH** », **6** pour modifier, **2** ou **8** pour changer le réglage à **Off** (arrêt), **6** pour enregistrer les réglages, **4** pour sortir des menus des fonctions spéciales. L'horloge retourne à l'affichage lorsque le mode sabbat est désactivé.

Remarque sur les pannes de courant en mode sabbat

Si une panne de courant survient en mode sabbat, le four demeure en mode sabbat, mais désactivé lorsque le courant est rétabli.

Grilles de four

Votre four possède six positions de grille. Le Guide de cuisson contient des recommandations quant à la position des grilles à utiliser en fonction des types d'aliments à cuire. Le réglage de la position de la grille est une façon d'optimiser le rendement de la cuisson. Par exemple, si vous préférez que vos gâteaux, vos muffins ou vos biscuits soient très brunis, placez la grille à un cran supérieur. Si vos aliments brunissent trop, placez votre grille à un cran inférieur la prochaine fois.

Lorsque vous cuisinez avec plusieurs casseroles et de nombreuses grilles, assurez-vous qu'il y a un espace d'au moins 1½ po (3,8 cm) entre les casseroles pour favoriser une bonne circulation d'air.

Pour éviter les brûlures, placez la ou les grilles à l'emplacement désiré avant d'allumer le four.

Grilles plates traditionnelles

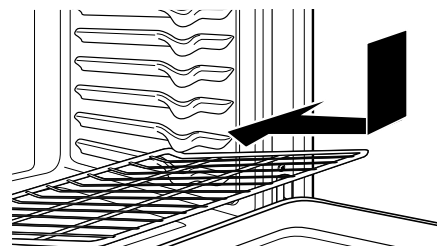
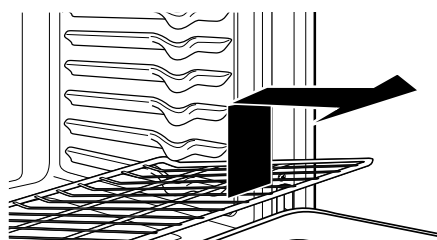
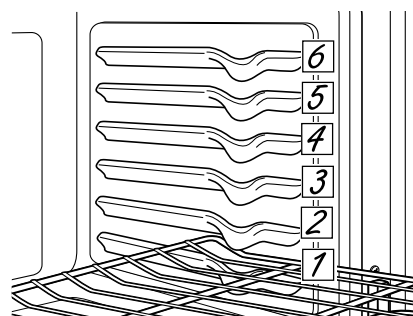
Lorsque vous mettez des ustensiles de cuisson dans le four ou les en retirez, tirez les grilles jusqu'à la butée d'arrêt du support de grille.

Pour retirer une grille, tirez-la vers vous, soulevez-en l'avant et sortez-la.

Pour remettre une grille en place, placez son côté recourbé (crans d'arrêt) sur le support, soulevez-en l'avant et poussez-la à l'intérieur.

Les grilles peuvent être difficiles à faire glisser, particulièrement après un autonettoyage. Appliquez de l'huile végétale sur un chiffon doux ou un essuie-tout, puis enduisez d'huile les côtés droit et gauche des grilles.

REMARQUE : L'utilisation d'autres types d'huiles de cuisson entraînera une décoloration ou la formation d'un résidu de couleur semblable à de la rouille sur les grilles et les côtés de la cavité. Pour nettoyer ce résidu, utilisez du savon et de l'eau ou une solution de vinaigre et d'eau. Rincez à l'eau claire et asséchez avec un chiffon doux et propre.



Papier d'aluminium et protections pour four

ATTENTION Ne recouvrez pas la sole du four de papier d'aluminium ni de protection pour four d'aucune sorte. Ils sont susceptibles de retenir la chaleur ou de fondre, ce qui pourrait endommager le produit ou provoquer un choc électrique, de la fumée ou un incendie. Les dommages résultant d'une utilisation inappropriée de ces articles ne sont pas couverts par la garantie du produit.

On peut utiliser du papier d'aluminium pour recueillir les éclaboussures en posant une feuille sur une grille inférieure, quelques centimètres sous les aliments. N'utilisez pas plus de papier qu'il n'en faut et ne couvrez jamais entièrement une grille de four avec du papier d'aluminium. Placez le papier d'aluminium à au moins 1-1/2 po (3,8 cm) des parois du four afin d'éviter une mauvaise circulation de la chaleur.

Ustensiles de cuisson

Directives relatives aux ustensiles de cuisson

Le matériel, le fini et la taille de l'ustensile de cuisson ont une incidence sur le rendement de la cuisson.

Les casseroles foncées, recouvertes d'un enduit et mates absorbent plus de chaleur que les casseroles minces et brillantes. Les casseroles qui absorbent plus facilement la chaleur produisent des croûtes brunes, croustillantes et plus épaisses. Si vous utilisez des ustensiles de cuisson foncés et recouverts d'un enduit, vérifiez la cuisson avant le temps prescrit dans la recette. Si vous obtenez de mauvais résultats avec ce type d'ustensile de cuisson, réduisez la température du four de 25 °F (14 °C) la prochaine fois.

Les casseroles lustrées permettent de cuire uniformément les aliments, comme les gâteaux et les biscuits.

Les casseroles en verre ou en céramique se réchauffent lentement, mais conservent la chaleur plus longtemps. Ces types d'ustensiles de cuisson conviennent parfaitement aux tartes et croustades.

Les ustensiles de cuisson isolés se réchauffent lentement et peuvent réduire le brunissement des aliments.

Gardez les ustensiles de cuisson propre pour favoriser une cuisson uniforme.

Modes de cuisson

Votre nouveau four offre de nombreux modes de cuisson pour vous aider à obtenir de meilleurs résultats. Ces modes de cuisson sont décrits ci-dessous. Reportez-vous à la section « Guide de cuisson » pour obtenir des recommandations spécifiques à chaque type d'aliments. N'oubliez pas que votre nouveau four peut offrir un fonctionnement différent de celui de votre ancien four.

Cuisson au four

Le mode Bake (cuisson au four) permet de cuire et de rôtir les aliments. Ce mode de cuisson utilise essentiellement la chaleur produite par l'élément inférieur, mais également celle générée par l'élément supérieur, pour cuire les aliments. Lors de la cuisson de produits de boulangerie, comme les gâteaux, les biscuits et les pâtisseries, préchauffez toujours le four. Suivez les recommandations de la recette pour disposer les aliments dans le four. Si aucune directive spécifique n'est indiquée, placez les aliments au centre du four. Pour utiliser ce mode de cuisson, appuyez sur la touche **Bake** (cuisson au four), réglez la température, puis appuyez sur **Start** (mise en marche).

Fermentation

Le mode Proof (fermentation) est conçu pour faire lever (fermenter) les pâtes à pain. Appuyez sur la touche **Proof** (fermentation) puis sur **Start** (mise en marche). Couvrez bien la pâte pour éviter qu'elle ne sèche. Le pain lèvera plus rapidement qu'à température ambiante. Veuillez noter que pour les fours encastrés doubles, il n'est pas possible de réaliser une fermentation lorsqu'un mode de nettoyage est en cours dans l'autre four.

Maintien au chaud

Le mode Warm (maintien au chaud) est destiné à conserver la chaleur des aliments cuits pendant une durée maximale de 3 heures. Pour utiliser ce mode, appuyez sur la touche **Warm** (maintien au chaud), puis sur **Start** (mise en marche). Couvrez les aliments qui doivent garder leur humidité, et ne couvrez pas ceux qui doivent être croustillants. Aucun préchauffage n'est nécessaire. N'utilisez pas cette fonction pour faire chauffer des aliments froids autres que des craquelins, chips ou céréales sèches que vous souhaitez rendre croustillants. Il est également recommandé de ne pas garder des aliments chauds pendant plus de 2 heures.

Modes de cuisson au grill

Fermez toujours la porte lorsque vous utilisez le mode de cuisson au grill. L'élément de grill de ce four est très puissant. Surveillez les aliments de près lorsque vous utilisez ce mode de cuisson. Soyez prudent lorsque vous faites griller des aliments sur la grille supérieure, car le fait de placer les aliments plus près de l'élément de grill augmente la production de fumée, les éclaboussures et la possibilité que les graisses s'enflamment. Pour de meilleurs résultats, placez l'aliment au centre, sous l'élément de grill. **Faire griller des aliments à la position de grille 6 n'est pas recommandé.**

Utilisez le grill pour des aliments susceptibles d'être grillés. Réglez la position des grilles de façon à ajuster l'intensité de la chaleur sur vos aliments. Placez les aliments plus près de l'élément de grill lorsque vous désirez une surface extérieure bien rôtie et un intérieur saignant. Les aliments plus épais et les aliments qui doivent être cuits à point doivent être grillés sur une grille située à bonne distance de l'élément du grill, ou en utilisant la fonction Broil Lo (grill à basse température).

Cuisson au grill à température élevée

Le mode de cuisson au grill à température élevée (Broil Hi) utilise la chaleur intense de l'élément supérieur pour saisir les aliments. Utilisez ce mode de cuisson pour les fines coupes de viandes et/ou des aliments qui doivent rester tendres à l'intérieur. Pour utiliser ce mode de cuisson, appuyez une fois sur la touche **Broil** (grill), puis sur la touche **Start** (mise en marche). Ce mode de cuisson n'exige pas de préchauffer le four.

Cuisson au grill à basse température

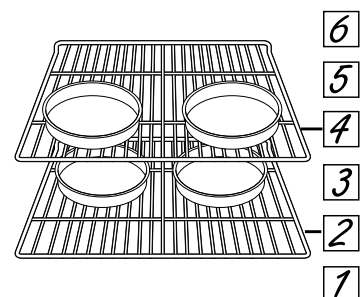
Le mode de cuisson au grill à basse température (Broil Lo) utilise une chaleur moins intense générée par l'élément supérieur pour cuire à point les aliments tout en brunissant leur surface. Utilisez ce mode pour les coupes de viande épaisses ou les aliments qui doivent être cuits à point. Pour utiliser ce mode de cuisson, appuyez **deux fois** sur la touche **Broil** (grill), puis sur la touche **Start** (mise en marche). Ce mode de cuisson n'exige pas de préchauffer le four.

Guide de cuisson

TYPE D'ALIMENT	MODES DE CUISSON RECOMMANDÉS	POSITIONS DE GRILLE RECOMMANDÉES	SUGGESTIONS ADDITIONNELLES
Produits de boulangerie et pâtisseries			
Gâteaux à étages, gâteaux plats, gâteaux Bundt, muffins, pains à préparation rapide sur une seule grille	Cuisson au four	3	Utilisez un ustensile de cuisson au fini brillant.
Gâteaux à étages* sur plusieurs grilles	Cuisson au four	2 et 4	Assurez une circulation d'air adéquate (voir l'illustration ci-dessous).
Gâteaux des anges	Cuisson au four	1	Utilisez un ustensile de cuisson au fini brillant.
Biscuits, pains cuits en galettes sur une seule grille	Cuisson au four	3	Utilisez un ustensile de cuisson au fini brillant.
Biscuits, pains cuits en galettes sur plusieurs grilles	Cuisson au four	2 et 4	Pour des aliments comme des biscuits au sucre, déplacez légèrement les aliments pendant la cuisson pour garantir une cuisson uniforme entre les grilles. Assurez une circulation d'air adéquate.
Bœuf et porc			
Galettes de bœuf haché	Cuisson au grill à température élevée	5	Utilisez une lèchefrite; abaissez les aliments dans le four pour une cuisson plus en profondeur/moins grillée. Vérifiez fréquemment les aliments lorsque vous utilisez la cuisson au grill. Pour de meilleurs résultats, placez l'aliment au centre, sous l'élément de grill.
Biftecks et côtelettes	Cuisson au grill à température élevée	5	Utilisez une lèchefrite; abaissez les aliments dans le four pour une cuisson plus en profondeur/moins grillée. Vérifiez fréquemment les aliments lorsque vous utilisez la cuisson au grill. Pour de meilleurs résultats, placez l'aliment au centre, sous l'élément de grill.
Rôtis	Cuisson au four	2	Ne couvrez pas; utilisez un ustensile moins profond, comme une lèchefrite. Le préchauffage n'est pas nécessaire.
Volaille			
Poulet entier	Cuisson au four	2	Utilisez un ustensile de cuisson peu profond, comme une lèchefrite. Le préchauffage n'est pas nécessaire.
Poitrines, cuisses, hauts de cuisse de poulet	Cuisson au grill à basse température Cuisson au four	3	Grillez d'abord avec la peau vers le bas. Vérifiez fréquemment les aliments lorsque vous utilisez la cuisson au grill. Pour de meilleures performances lors de la cuisson au grill, centrez les aliments sous l'élément chauffant du grill.
Poitrines de poulet désossées	Cuisson au grill à basse température Cuisson au four	3	Abaissez les aliments dans le four pour une cuisson plus en profondeur/moins grillée, et disposez-les plus haut dans le four pour les griller et les brunir davantage. Pour de meilleures performances lors de la cuisson au grill, centrez les aliments sous l'élément chauffant du grill.
Dinde entière	Cuisson au four	1 ou 2	Utilisez un ustensile de cuisson peu profond, comme une lèchefrite. Le préchauffage n'est pas nécessaire.
Poitrine de dinde	Cuisson au four	2	Utilisez un ustensile de cuisson peu profond, comme une lèchefrite. Le préchauffage n'est pas nécessaire.
Poisson	Cuisson au grill à basse température	5 (épaisseur de 1/2 po/1 cm ou moins) 4 (épaisseur > 1/2 po/1 cm)	Vérifiez fréquemment les aliments lorsque vous utilisez la cuisson au grill. Pour de meilleurs résultats, placez l'aliment au centre, sous l'élément de grill.
Mets mijotés	Cuisson au four	3	
Aliments préparés surgelés			
Produits de pommes de terre, croquettes de poulet, hors-d'œuvre sur une seule grille	Cuisson au four	3	Utilisez un ustensile de cuisson au fini brillant.
Produits de pommes de terre, croquettes de poulet, hors-d'œuvre sur plusieurs grilles	Cuisson au four	2 et 4	Utilisez un ustensile de cuisson au fini brillant. Déplacez légèrement les aliments pendant la cuisson pour garantir une cuisson uniforme.

* Lors de la cuisson simultanée de quatre étages de gâteau, utilisez les positions de grille 2 et 4. Décalez les moules comme le montre l'illustration de façon à ce qu'ils ne soient pas un au-dessus de l'autre.

Faites bien cuire les aliments pour éviter les intoxications alimentaires. Pour connaître la température minimale et sécuritaire des aliments, visitez le site Web à IsItDoneYet.gov. Assurez-vous d'utiliser un thermomètre pour connaître la température des aliments.



Four

Assurez-vous que l'alimentation électrique est coupée et que toutes les surfaces sont froides avant de nettoyer l'une ou l'autre des parties du four.

Tableau de commande

Il est recommandé de nettoyer le tableau de commande après chaque utilisation. Nettoyez-le avec du savon doux et de l'eau ou un mélange de vinaigre et d'eau, rincez-le à l'eau claire et séchez-le avec un chiffon doux pour le polir.

N'utilisez pas de nettoyant abrasif, de nettoyant liquide fort, de tampon à récurer en plastique ou de nettoyant pour four sur le tableau de commande. Ils endommageraient son revêtement.

Surfaces extérieures du four

N'utilisez pas de nettoyant pour four, de nettoyant abrasif, de nettoyant liquide fort, de laine d'acier, de tampon à récurer en plastique ou de poudre à récurer pour nettoyer l'extérieur ou l'intérieur du four. Utilisez un savon doux et de l'eau ou une solution de vinaigre et d'eau. Rincez à l'eau claire et asséchez avec un chiffon doux et propre. Lors du nettoyage des surfaces, assurez-vous qu'elles sont à la température ambiante et qu'elles ne sont pas exposées aux rayons directs du soleil.

Si une tache persiste sur les garnitures des événements, utilisez un nettoyant abrasif doux et le côté grattoir d'une éponge pour de meilleurs résultats.

Les éclaboussures de marinade, jus de fruit, sauce tomate et jus de cuisson contiennent des éléments acides qui peuvent causer une décoloration. Elles doivent donc être immédiatement essuyées. Laissez les surfaces chaudes refroidir, plus nettoyez-les et rincez-les.

Surfaces en acier inoxydable (certains modèles)

N'utilisez pas de tampon en laine d'acier; il rayerait la surface. Pour nettoyer la surface en acier inoxydable, utilisez de l'eau tiède savonneuse ou un produit de nettoyage ou à polir pour acier inoxydable. Essuyez toujours la surface dans le sens du grain. Suivez les instructions du nettoyant pour surface en acier inoxydable.

la rouille, le ternissement et les petits défauts de la surface du four. Utilisez uniquement les nettoyants liquides sans granule et frottez dans le sens du grain avec une éponge douce et humide.

Pour toute question concernant l'achat de produits de nettoyage, notamment des nettoyants et des agents de polissage pour appareils en acier inoxydable, reportez-vous à la section « Accessoires » de ce manuel.

Les nettoyants contenant de l'acide oxalique comme Bar Keepers Friend Soft Cleanser^{MC} permettent d'éliminer

Intérieur du four

L'intérieur de votre nouveau four peut être nettoyé à la main ou en utilisant les fonctions de nettoyage à la vapeur ou d'autonettoyage.

REMARQUE : L'eau qui se trouve au fond du four peut être chaude après la fin du programme.

Les éclaboussures de marinade, jus de fruit, sauce tomate et jus de cuisson contiennent des éléments acides qui peuvent causer une décoloration. Elles doivent donc être immédiatement essuyées. Laissez les surfaces chaudes refroidir, plus nettoyez-les et rincez-les.

Autonettoyage

Lisez les instructions relatives à l'autonettoyage du four au début de ce manuel avant d'utiliser cette fonction. L'autonettoyage utilise des températures très élevées pour nettoyer l'intérieur du four. La porte du four se verrouille lorsque cette fonction est activée. Avant de lancer le programme d'autonettoyage, essuyez la graisse et les saletés susceptibles de se trouver dans le four. Enlevez tous les éléments du four, mis à part les grilles émaillées (de couleur foncée). Les supports à fini lustré ou argenté et tout autre ustensile de cuisson, ou tout autre article, doivent être retirés du four avant de lancer le cycle d'autonettoyage. Fermez la porte. Appuyez une fois sur la touche **Self Clean** (autonettoyage) pour lancer un cycle d'autonettoyage. La durée par défaut du cycle s'affichera. Il est possible de changer le temps de nettoyage entre 3 h et 5 h en utilisant les touches numériques pour entrer un temps distinct et en appuyant sur **Start** (mise en marche). Pour les fours très sales, le temps de nettoyage maximum de 5 heures est recommandé. Si vous souhaitez utiliser la durée par défaut, appuyez sur la touche **Start** (mise en marche) immédiatement après avoir appuyé sur la touche **Self Clean** (autonettoyage). Le four s'arrête automatiquement lorsque l'autonettoyage est terminé. La porte demeure verrouillée jusqu'à ce que le four se soit refroidi. Lorsque le four a refroidi, essuyez la cendre qui se sera formée dans le four.

Nettoyage manuel

N'utilisez pas de nettoyant pour four, de nettoyant abrasif, de nettoyant liquide fort, de laine d'acier, de tampon à récurer ou de poudre à récurer à l'intérieur du four. Utilisez un savon doux et de l'eau ou une solution de vinaigre et d'eau. Rincez à l'eau claire et asséchez avec un chiffon doux et propre. Assurez-vous que les surfaces sont à la température ambiante avant de les nettoyer.

Nettoyage à la vapeur

Le nettoyage à la vapeur permet de nettoyer les déversements mineurs au moyen d'eau, à une température inférieure que celle utilisée pour l'autonettoyage.

Avant d'utiliser la fonction de nettoyage à la vapeur, essuyez la graisse et les résidus qui se trouvent dans la cavité du four. Versez une tasse d'eau dans le fond du four. Fermez la porte. Appuyez sur la touche **Steam Clean** (nettoyage à la vapeur), puis sur **Start** (mise en marche). La porte du four se verrouille automatiquement. Vous ne pouvez pas ouvrir la porte pendant le nettoyage à la vapeur de 30 minutes car cela réduirait les performances du nettoyage. À la fin du programme de nettoyage à la vapeur, la porte se déverrouille. Essuyez tout excédent d'eau et de saleté qui pourrait être resté.

IMPORTANT : Certains oiseaux sont extrêmement sensibles aux fumées dégagées pendant l'autonettoyage d'un four. Déplacez-les dans une autre pièce bien aérée.

Four (suite)

Grilles plates

Les grilles plates qui sont émaillées, non lustrées, peuvent être laissées dans la cavité du four pendant l'autonettoyage ou encore elles peuvent être lavées avec de l'eau chaude savonneuse.

Les grilles peuvent devenir plus difficiles à glisser, tout particulièrement après un autonettoyage. Appliquez de l'huile végétale sur un chiffon doux ou un essuie-tout, puis enduisez d'huile les côtés droit et gauche de la grille.

REMARQUE : L'utilisation d'autres types d'huiles de cuisson entraînera une décoloration ou la formation d'un résidu de couleur semblable à de la rouille sur les grilles et les côtés de la cavité. Pour nettoyer ce résidu, utilisez du savon et de l'eau ou une solution de vinaigre et d'eau. Rincez à l'eau claire et asséchez avec un chiffon doux et propre.

Lampe du four

⚠ AVERTISSEMENT **RISQUE DE CHOC ÉLECTRIQUE OU D'INCENDIE** : Avant de remplacer l'ampoule, coupez l'alimentation du four au niveau du tableau de distribution (disjoncteurs ou fusibles). Le non-respect de cette consigne peut entraîner un choc électrique ou des brûlures.

⚠ ATTENTION **RISQUE DE BRÛLURE** : L'ampoule et le couvercle en verre doivent être retirés lorsqu'ils sont froids. Toucher le verre chaud à main nue ou avec un chiffon humide peut causer des brûlures.

1. Coupez le courant au niveau du tableau de distribution (fusible ou disjoncteur).
2. Retirez les grilles du four.
3. Faites glisser un tournevis à lame plate ou un couteau à beurre entre le boîtier métallique et le couvercle en verre de l'ampoule.
REMARQUE : Sur certains modèles, il y a une attache métallique qui maintient visiblement le verre. L'outil doit être inséré entre le boîtier métallique et l'attache retenant le verre.
4. Soutenez le couvercle en verre de l'ampoule avec deux doigts pour éviter que le couvercle ne tombe au fond du four.
5. Tournez doucement la lame du tournevis ou du couteau à beurre pour desserrer le couvercle en verre de l'ampoule. Veillez à ne pas ébrécher le revêtement du four.
6. Retirez le couvercle de l'ampoule.
7. Retirez l'ampoule en la saisissant fermement et en la faisant glisser vers l'extérieur jusqu'à ce que les deux broches se soient dégagées de la douille en céramique.
8. Ne touchez pas le verre de la nouvelle ampoule de remplacement avec vos doigts. Cela entraînera des dommages à l'ampoule pouvant l'empêcher de s'allumer. Saisissez l'ampoule de remplacement avec une serviette propre ou un mouchoir en papier avec les broches vers le bas. Alignez les deux broches dans la douille en céramique, en appuyant doucement jusqu'à ce que l'ampoule soit bien en place dans la douille.
9. Faites glisser le couvercle de protection dans le support et poussez jusqu'à ce que les fixations s'enclenchent dans le boîtier.
10. Rebranchez l'alimentation.

Porte du four

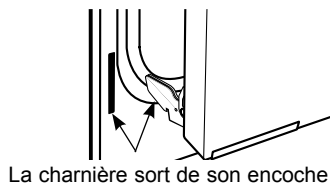
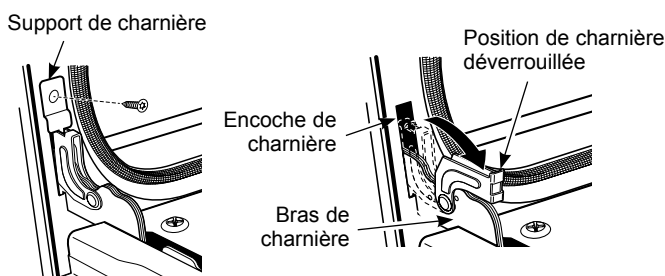
Retrait de la porte du four

REMARQUE : Le retrait de la porte n'est pas une exigence pour l'installation du produit, mais est une commodité supplémentaire.

Pour enlever la porte :

1. Ouvrez la porte du four aussi grand que possible.
2. Retirez le support de charnière (le cas échéant) du cadre avant et mettez-le de côté. Le support de charnière doit être remplacé pour assurer le bon fonctionnement de la porte lorsque cette dernière est réinstallée.
3. Poussez les deux dispositifs de verrouillage de charnière vers le cadre de la porte en position déverrouillée. Cela pourrait demander l'utilisation d'un tournevis à lame plate. **NE SOULEVEZ PAS LA PORTE PAR SA POIGNÉE!**
4. Placez les mains des deux côtés de la porte et fermez la porte du four en position de retrait (à environ 1 à 2 po [2,5 à 5,1 cm] de la position fermée).
5. Soulevez et sortez la porte jusqu'à ce que les bras de charnière soient dégagés de leurs encoches.

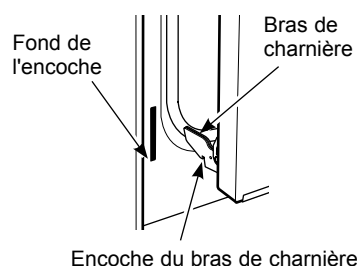
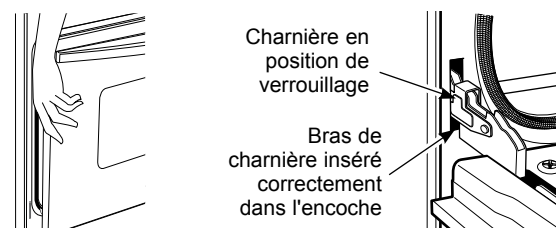
REMARQUE : La porte du four est très lourde. Assurez-vous de bien tenir la porte avant de la soulever pour la faire sortir des charnières. Faites attention une fois que la porte a été enlevée. Ne posez pas la porte par terre sur sa poignée. Cela pourrait la bosseler ou l'égratigner.



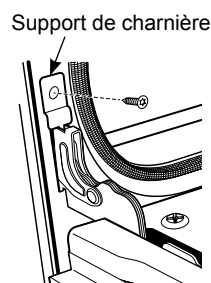
Remise en place de la porte du four

REMARQUE : La porte du four est très lourde. Vous aurez peut-être besoin d'aide afin de la soulever assez haut pour la faire glisser dans les encoches de charnière. Ne soulevez pas la porte par sa poignée.

1. Soulevez la porte du four en la saisissant de chaque côté.
2. En tenant la porte au même angle que la position de retrait (environ 1 à 2 po [2,5 à 5,1 cm] de la position fermée), placez le bras de charnière dans le fond de l'encoche de la charnière. Les bras de charnière doivent être bien en place, dans le fond des encoches.
3. Ouvrez complètement la porte. Si la porte ne s'ouvre pas complètement, les bras des charnières ne reposent pas correctement au fond des encoches.
4. Poussez les dispositifs de verrouillage de charnière contre le cadre avant de la cavité du four, en position verrouillée.
5. Remettez en place le support de charnière (le cas échéant). Le support de charnière doit être remplacé pour assurer le bon fonctionnement de la porte.
6. Fermez la porte du four.



Encoche du bras de charnière

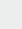




Conseils de dépannage... Avant de contacter le service de dépannage

Économisez du temps et de l'argent! Passez en revue les tableaux situés dans les pages suivantes ou visitez GEAppliances.com/ge/service-and-support/cookingproducts.htm pour des articles utiles et des vidéos d'aide avant d'appeler le service de dépannage.

Problème	Causes possibles	Solutions
Mon nouveau four ne cuit pas les aliments comme mon ancien four. Y a-t-il un problème avec le réglage de la température?	Votre nouveau four est doté d'un système de cuisson différent de celui de votre ancien four; par conséquent, il peut cuire les aliments différemment.	Pour la première utilisation, respectez les temps et les températures indiqués dans votre recette. Si vous pensez toujours que votre four chauffe trop ou ne chauffe pas assez, vous pouvez ajuster la température vous-même.
Les aliments ne cuisent pas correctement	Les commandes du four sont mal réglées.	Reportez-vous à la section « Modes de cuisson ».
	La grille n'a pas été placée sur la bonne position dans le four ou n'est pas de niveau.	Reportez-vous à la section « Modes de cuisson » et au Guide de cuisson.
	Ustensile de cuisson inapproprié ou de dimensions inadéquates.	Reportez-vous à la section « Ustensiles de cuisson ».
	La température du four doit être ajustée.	Reportez-vous à la section « Fonctions spéciales ».
	Substitution d'ingrédients	La substitution d'ingrédients peut modifier le résultat.
Les aliments ne grillent pas correctement	Les commandes du four sont mal réglées.	Assurez-vous de sélectionner le mode de cuisson au gril approprié.
	Position de grille inappropriée.	Consultez le Guide de cuisson pour des suggestions sur la position des grilles.
	Les aliments sont cuits dans un ustensile chaud.	Assurez-vous que l'ustensile de cuisson est froid.
	Un ustensile de cuisson inapproprié pour le gril est utilisé.	Utilisez un ustensile de cuisson conçu pour le gril.
	Le papier d'aluminium utilisé dans la lèchefrite ou sur la grille n'est pas installé selon les recommandations.	Si vous utilisez du papier d'aluminium, pratiquez des ouvertures vis-à-vis des ouvertures de la lèchefrite.
	Dans certaines régions, la tension électrique peut être basse.	Préchauffez l'élément de gril pendant 10 minutes.
Température du four trop chaude ou trop froide	La température du four doit être ajustée.	Reportez-vous à la section « Fonctions spéciales ».
Le four ne fonctionne pas, ou semble ne pas fonctionner	Un fusible de votre domicile peut être grillé ou le disjoncteur s'est déclenché.	Remplacez le fusible ou réenclenchez le disjoncteur.
	Les commandes du four sont mal réglées.	Reportez-vous à la section « Utilisation du four ».
	Le four est en mode sabbat.	Assurez-vous que le four n'est pas en mode sabbat. Reportez-vous à la section « Fonctions spéciales ».
Bruits de crépitement ou de craquement	Ces sons proviennent du métal qui chauffe et refroidit pendant les fonctions de cuisson et d'autonettoyage.	Cela est normal.
Pourquoi ma cuisinière émet-elle un cliquetis lorsque j'utilise le four?	Votre four a été conçu pour maintenir avec précision sa température. Les éléments chauffants peuvent ainsi émettre plus souvent des clics que les anciens modèles de four, cela afin d'optimiser la cuisson, le grillage et l'autonettoyage.	Cela est normal.
L'horloge et la minuterie ne fonctionnent pas	Un fusible de votre domicile peut être grillé ou le disjoncteur s'est déclenché.	Remplacez le fusible ou réenclenchez le disjoncteur.
Il arrive que le four prenne plus de temps à préchauffer pour atteindre la même température	Ustensile de cuisson ou aliment dans le four.	L'ustensile de cuisson ou les aliments placés dans le four prolongent le préchauffage. Retirez les aliments pour diminuer le temps de préchauffage.
	Nombre de grilles dans le four.	L'ajout de grilles dans le four prolonge le temps de préchauffage. Retirez quelques grilles.

Conseils de dépannage... Avant de contacter le service de dépannage

Problème	Causes possibles	Solutions
La lampe du four ne fonctionne pas	L'ampoule est mal serrée, ou elle est grillée.	Resserrez ou remplacez l'ampoule.
	La touche du tableau de commande contrôlant l'ampoule est défectueuse.	Appelez le service de réparation.
L'autonettoyage ne fonctionne pas	La température du four est trop élevée pour programmer l'autonettoyage.	Laissez le four refroidir et reprogrammez-le.
	Les commandes du four sont mal réglées.	Reportez-vous à la section sur le nettoyage du four.
Fumée excessive pendant l'autonettoyage	Saleté ou graisse excessive.	Appuyez sur la touche Cancel/Off (annuler/arrêt). Ouvrez les fenêtres pour évacuer la fumée de la pièce. Attendez jusqu'à ce que l'icône  s'éteigne. Nettoyez l'excès de saleté et reprogrammez l'autonettoyage.
Fumée excessive en mode de cuisson au gril	Les aliments sont trop près de l'élément.	Abaissez la grille dans le four.
La porte du four ne s'ouvre pas après l'autonettoyage	Four trop chaud.	Laissez la température du four redescendre en dessous de la température de verrouillage.
Le four n'est pas propre après l'autonettoyage	Les commandes du four sont mal réglées.	Reportez-vous à la section sur le nettoyage du four.
	Le four était très sale.	Nettoyez les éclaboussures importantes avant de lancer l'autonettoyage. Les fours très sales peuvent nécessiter un second autonettoyage ou un autonettoyage plus long.
L'icône  clignote sur l'afficheur	L'autonettoyage a été sélectionné, mais la porte est ouverte.	Fermez la porte du four.
L'icône  s'affiche lorsque vous voulez utiliser le four	La porte du four est verrouillée, car la température à l'intérieur du four n'est pas redescendue en dessous de la température de verrouillage.	Appuyez sur la touche Cancel/Off (annuler/arrêt). Laissez le four refroidir.
La lettre « F— » suivie d'un chiffre ou d'une lettre clignotent sur l'afficheur	Il s'agit d'un code d'erreur de fonction.	Appuyez sur la touche Cancel/Off (annuler/arrêt). Laissez le four refroidir pendant une heure. Rallumez le four.
	Si le code de fonction réapparaît.	Coupez l'alimentation du four pendant au moins 30 secondes, puis rétablissez-la. Si le code d'erreur de fonction réapparaît, contactez un service de réparation.
L'affichage est vide	Un fusible de votre domicile peut être grillé ou le disjoncteur s'est déclenché.	Remplacez le fusible ou réenclenchez le disjoncteur.
	L'horloge n'est pas en fonction.	Reportez-vous à la section « Fonctions spéciales ».
	Le four est en mode sabbat.	Assurez-vous que le four n'est pas en mode sabbat. Reportez-vous à la section « Fonctions spéciales ».
Coupure de courant, l'heure clignote	Coupure de courant ou surtension.	Remettez l'horloge à l'heure. Si le four était en cours d'utilisation, vous devez le reprogrammer en appuyant sur la touche Cancel/Off (annuler/arrêt), en remettant l'horloge à l'heure et en reprogrammant la fonction de cuisson choisie.
Odeur de « brûlé » ou d'huile provenant de l'événement	Cela est normal pour un nouveau four et disparaît avec le temps.	Pour accélérer ce processus, programmez un autonettoyage d'au moins 3 heures. Reportez-vous à la section sur le nettoyage du four. Ceci est temporaire.
Forte odeur	Il est normal qu'une odeur se dégage de l'isolant de l'intérieur du four pendant les premières utilisations du four.	Ceci est temporaire et cessera avec le temps ou après un cycle d'autonettoyage.
Bruit de ventilateur	Un ventilateur de refroidissement peut automatiquement se mettre en marche.	Cela est normal. Le ventilateur de refroidissement se mettra en marche pour refroidir les composants internes. Il peut fonctionner jusqu'à 1 h 30 après l'arrêt du four.
La vitre de ma porte de four semble teintée ou présente un arc-en-ciel. Est-elle défectueuse?	Non. Le verre intérieur de la porte du four est revêtu d'une barrière thermique qui réfléchit la chaleur dans le four pour prévenir la perte de chaleur et pour garder l'extérieur de la porte froide pendant la cuisson.	Cela est normal. Dans certaines conditions d'éclairage et selon l'angle de vue, il est possible de percevoir une teinte ou les couleurs de l'arc-en-ciel.
Le four ne fonctionne pas à distance	Problèmes de routeur, pas de signal sans fil, etc.	Pour obtenir de l'aide sur la connectivité réseau sans fil du four, veuillez appeler le 1-800-220-6899.
	Le four n'est pas connecté.	

Garantie limitée du four électrique d'Électroménagers GE

GEAppliances.com

Toutes les réparations sous garantie sont effectuées par nos Centres de réparation ou par nos réparateurs agréés Customer Care®. Pour faire la demande d'une réparation en ligne, visitez [GEAppliances.com/service_and_support/](https://www.geappliances.com/service_and_support/) ou appelez Électroménagers GE au 1-800-GE-CARES (432-2737). Au Canada, veuillez visiter : https://service.geappliances.ca/servicio/fr_CA/. Veuillez avoir les numéros de série et de modèle de votre appareil à portée de main lorsque vous appelez pour obtenir un service.

La réparation de votre appareil peut nécessiter l'utilisation d'un accès embarqué aux données pour déterminer le diagnostic. Cela permet à un technicien de réparation d'Électroménagers GE de diagnostiquer rapidement tout problème avec votre appareil, et aide Électroménagers GE à améliorer ses produits en lui fournissant de l'information sur votre appareil. Si vous ne voulez pas que les données de votre appareil soient transmises à Électroménagers GE, veuillez aviser le technicien de ne pas transmettre de données à Électroménagers GE au moment de la réparation.

Pendant une période de	Électroménagers GE remplacera
Un an À compter de la date d'achat d'origine	Toute pièce du four qui se révèle défectueuse en raison d'un vice de matériau ou de fabrication. Au cours de cette garantie limitée d'un an , Électroménagers GE fournira également, sans frais , toute la main-d'œuvre pour le remplacement de la pièce défectueuse à domicile.

Ce que Électroménagers GE ne couvre pas :

- Toute visite à votre domicile pour vous expliquer le fonctionnement de l'appareil.
- L'installation, la livraison ou l'entretien inappropriés de l'appareil.
- Toute défectuosité du produit lorsqu'il a été utilisé de façon abusive ou inadéquate, employé à toute autre fin que celle pour laquelle il a été conçu, modifié ou utilisé à des fins commerciales.
- Le remplacement des fusibles ou le réenclenchement des disjoncteurs.
- Tout dommage au produit attribuable à un accident, à un incendie, à une inondation ou à une catastrophe naturelle.
- Tout dommage au revêtement, comme de la rouille sur la surface, le ternissement et les petits défauts non signalés au cours des 48 heures suivant la livraison de l'appareil.
- Tout dommage accessoire ou indirect, causé par des défaillances possibles de l'appareil.
- Tout dommage causé après la livraison.
- Tout produit auquel il n'est pas possible d'accéder pour effectuer les réparations nécessaires.
- La réparation ou le remplacement d'ampoules, à l'exception de DEL.

EXCLUSIONS DES GARANTIES IMPLICITES

Votre seul et unique recours est de faire réparer le produit dans le cadre de cette garantie limitée. Toute garantie implicite, incluant la garantie de qualité marchande ou d'aptitude du produit à un usage particulier, est limitée à un an ou à la période la plus courte autorisée par la loi.

Cette garantie limitée est offerte à l'acheteur initial, ainsi qu'à tout propriétaire subséquent d'un produit acheté en vue d'une utilisation domestique aux États-Unis. Si le produit se situe dans une zone où aucun réparateur agréé par Électroménagers GE n'est disponible, vous devrez peut-être assumer les frais de déplacement de celui-ci ou apporter le produit à un atelier de réparation agréé par Électroménagers GE. En Alaska, la garantie limitée exclut les coûts d'expédition et les appels de service nécessitant une visite à domicile.

Dans certains États, il est interdit d'exclure ou de limiter les dommages indirects ou accessoires. Il est alors possible que les limitations ou exclusions ci-dessus ne s'appliquent pas dans votre cas. La présente garantie limitée vous confère des droits juridiques spécifiques. Vous pouvez bénéficier d'autres droits, qui varient d'un État ou d'une province à l'autre. Pour connaître les droits dont vous bénéficiez dans votre État ou votre province, communiquez avec le bureau de la protection du consommateur de votre région, de votre État ou de votre province, ou le procureur général.

Garant : Électroménagers GE, une entreprise de Haier

Louisville, KY 40225, États-Unis

Garant au Canada : MC Commercial, Burlington, ON, L7R 5B6

Accessoires

Vous manquez de quelque chose?

Électroménagers GE propose une panoplie d'accessoires qui permettent d'améliorer votre expérience de cuisson et de nettoyage!

Reportez-vous à la page du service à la clientèle pour obtenir les numéros de téléphone et des informations sur le site Web.

Les produits suivants, et d'autres, sont offerts :

Accessoires

Petite lèchefrite (8¾ x 1¼ x 13½ po / 22,2 x 3,2 x 34,3 cm)

Grande* lèchefrite (12¾ x 1¼ x 16½ po / 32,4 x 3,2 x 41,9 cm)

Très grande** lèchefrite (17 x 1¼ x 19¼ po / 43,2 x 3,2 x 48,9 cm)

Pièces

Grilles de four

Grille coulissante de 27 po (68,6 cm) Never Scrub

Grille coulissante de 30 po (76,2 cm) Never Scrub

Éléments de four

Ampoules

Fournitures de nettoyage

Lingettes CitruShine^{MC} pour acier inoxydable

Nettoyant pour appareil en acier inoxydable CeramaBryte

Lubrifiant à base de graphite***

* La grande lèchefrite ne convient pas aux cuisinières de 20 po/24 po (50,8 cm/61 cm)

** La très grande lèchefrite ne convient pas aux fours encastrés de 24 po (61 cm), aux cuisinières encastrables de 27 po (68,6 cm) ou aux cuisinières de 20 po (50,8 cm) ou 24 po (61 cm).

*** À utiliser avec les grilles coulissantes Never Scrub.

Service à la clientèle

Site Web des électroménagers GE

Vous avez des questions ou besoin d'assistance concernant votre appareil? Consultez le site Web d'Électroménagers GE, accessible 24 heures sur 24, tous les jours de l'année! Vous pouvez également acheter d'autres excellents produits d'Électroménagers GE et bénéficier de tous nos services de soutien en ligne conçus pour votre commodité.

Aux États-Unis : GEAppliances.com. Au Canada : electromenagersge.ca.

Enregistrez votre appareil

Enregistrez votre nouvel appareil en ligne au moment qui vous convient le mieux! L'enregistrement de votre produit dans les délais prescrits permet une meilleure communication et un service rapide, selon les modalités de votre garantie, si besoin est. Vous pouvez également envoyer par courrier la carte d'enregistrement préimprimée qui se trouve dans l'emballage de votre appareil.

Aux États-Unis : GEAppliances.com/register

Au Canada : https://service.geappliances.ca/servicio/fr_CA/

Demande de service

Pour bénéficier du service de réparation d'Électroménagers GE, il suffit de nous contacter. Vous pouvez demander une réparation en ligne à toute heure du jour, au moment qui vous convient le mieux.

Aux États-Unis : GEAppliances.com/service ou appelez au 1-800-432-2737 pendant les heures normales d'ouverture.

Au Canada : https://service.geappliances.ca/servicio/fr_CA/ ou appelez au 1-800-561-3344.

Garanties prolongées

Procurez-vous une garantie prolongée Électroménagers GE et informez-vous au sujet des rabais spéciaux offerts tout au long de la durée de votre garantie. Vous pouvez vous la procurer en ligne en tout temps. Le service à la clientèle d'Électroménagers GE sera toujours disponible après expiration de votre garantie.

Aux États-Unis : GEAppliances.com/extended-warranty ou appelez au 1-800-626-2224 pendant les heures normales d'ouverture.

Au Canada : electromenagersge.ca/fr/soutien/achat-d-une-garantie-prolongee ou appelez au 1-800-290-9029.

Connectivité à distance

Pour de l'assistance concernant la connectivité réseau sans fil (pour les modèles avec activation à distance), visitez notre site Web à GEAppliances.com/connect ou appelez au 1-800-220-6899 aux États-Unis.

Au Canada : téléphonez au 1-800-220-6899.

Pièces et accessoires

Les personnes ayant les compétences requises pour réparer elles-mêmes leurs appareils peuvent recevoir directement à la maison des pièces ou accessoires (les cartes VISA, MasterCard et Discover sont acceptées). Commandez en ligne dès aujourd'hui, 24 heures sur 24.

Aux États-Unis : GEApplianceparts.com ou téléphonez au 1-877-959-8688 pendant les heures normales d'ouverture.

Les directives fournies dans le présent manuel comportent des procédures que n'importe quel utilisateur peut effectuer. Les autres types de réparation doivent généralement être confiés à un technicien qualifié. Faites preuve de prudence : une réparation ou un entretien mal effectué peut rendre l'utilisation de l'appareil dangereuse.

Les clients au Canada doivent consulter les pages jaunes pour connaître le centre de réparation Mabe le plus proche, visiter notre site Web à <https://www.electromenagersge.ca/pièces-filtres-et-accessoires> ou téléphoner au 1-800-661-1616.

Pour nous joindre

Si vous n'êtes pas satisfait du service après-vente d'Électroménagers GE, communiquez avec nous sur notre site Web en fournissant tous les détails et votre numéro de téléphone, ou écrivez à :

Aux États-Unis : General Manager, Customer Relations | GE Appliances, Appliance Park | Louisville, KY 40225

GEAppliances.com/contact

Au Canada : Directeur, relations avec les consommateurs, Mabe Canada Inc. | 1, Factory Lane, bureau 310 | Moncton, N.-B. E1C 9M3
electromenagersge.ca/fr/contactez-nous
