



BEVERAGE CENTER & WINE CHILLER

SAFETY INFORMATION 3

USING THE APPLIANCE

Controls and Features: Beverage Center

 Temperature Control 6

 Adjustable Shelves 6

 Reversible Shelves 7

 Loading 7

Controls and Features: Wine Chiller

 Temperature Control 8

 Suggested storing and serving temperatures for wine 8

 Loading 9

 Extension Drawers 9

CARE AND CLEANING 10

INSTALLATION INSTRUCTIONS 11

TROUBLESHOOTING TIPS14

LIMITED WARRANTY17

CONSUMER SUPPORT18

OWNER'S MANUAL & INSTALLATION INSTRUCTIONS

PWS06D****
PVS06B****

**ENGLISH/FRANÇAIS/
ESPAÑOL**

Write the model and serial numbers here:

Model # _____

Serial # _____

Find these numbers on a label inside the beverage center and wine chiller.

THANK YOU FOR MAKING GE APPLIANCES A PART OF YOUR HOME.

Whether you grew up with GE Appliances, or this is your first, we're happy to have you in the family.

We take pride in the craftsmanship, innovation and design that goes into every GE Appliances product, and we think you will too. Among other things, registration of your appliance ensures that we can deliver important product information and warranty details when you need them.

Register your GE appliance now online. Helpful websites and phone numbers are available in the Consumer Support section of this Owner's Manual. You may also mail in the pre-printed registration card included in the packing material.



GE APPLIANCES

IMPORTANT SAFETY INFORMATION

READ ALL INSTRUCTIONS BEFORE USING

ATTENTION CONSUMER!

This appliance is designed for storing and cooling beverages. Do not store perishable foods in this unit.

⚠ WARNING To reduce the risk of fire, explosion, electric shock, or injury when using your appliance, follow these basic safety precautions:

- Use this appliance only for its intended purpose as described in this Owner's Manual.
- This appliance must be properly installed and located in accordance with the Installation Instructions before it is used.
- Unplug the appliance before making repairs or cleaning.
NOTE: Power to the appliance cannot be disconnected by any setting on the control panel.
NOTE: Repairs must be performed by a qualified Service Professional.
- Replace all parts and panels before operating.
- Do not store or use gasoline or other flammable vapors and liquids in the vicinity of this or any other appliance.
- Do not store explosive substances such as aerosol cans with a flammable propellant in this appliance.
- Do not use an extension cord.
- To prevent suffocation and entrapment hazards to children, remove door from this appliance before disposing of it or discontinuing its use.
- To avoid serious injury or death, children should not stand on, or play in or with the appliance.
- Children and persons with reduced physical, sensory or mental capabilities or lack of experience and knowledge can use this appliance only if they are supervised or have been given instructions on safe use and understand the hazards involved.
- This appliance is intended to be used in household and similar applications such as: staff kitchen areas in shops, offices and other working environments; farm houses; by clients in hotels, motels, bed & breakfast and other residential environments; catering and similar non-retail applications.
- Do not apply harsh cleaners to the appliance. Certain cleaners will damage plastic which may cause parts such as the door or door handles to detach unexpectedly. See the Care and Cleaning section for detailed instructions.

⚠ CAUTION To reduce the risk of injury when using your appliance, follow these basic safety precautions.

- Do not clean glass shelves or covers with warm water when they are cold. Glass shelves and covers may break if exposed to sudden temperature changes or impact, such as bumping or dropping. Tempered glass is designed to shatter into many small pieces if it breaks.
- Keep fingers out of the "pinch point" areas; clearances between the doors and between the doors and cabinet are necessarily small. Be careful closing doors when children are in the area.
- This unit is designed for storing and cooling beverages. Do not store perishable foods in this unit.

READ AND SAVE THESE INSTRUCTIONS

IMPORTANT SAFETY INFORMATION READ ALL INSTRUCTIONS BEFORE USING

INSTALLATION

⚠ WARNING **EXPLOSION HAZARD**

Keep flammable materials and vapors away from appliance. Failure to do so can result in fire, explosion, or death.

⚠ WARNING **FIRE OR EXPLOSION HAZARD Flammable Refrigerant**

This appliance contains isobutane refrigerant, also known as R600a, a natural gas with high environmental compatibility. However, it is also combustible. Adhere to the warnings below to reduce the risk of injury or property damage.

1. When handling, installing and operating the appliance, care should be taken to avoid damage to the refrigerant tubing.
2. Service shall only be performed by authorized service personnel. Use only manufacturer-authorized service parts.
3. Dispose of appliance in accordance with the Federal and Local Regulations. The flammable refrigerant and insulation material used in this product require special disposal procedures. Contact your local authorities for the environmentally safe disposal of your appliance.
4. Keep ventilation openings in the appliance enclosures or in the built-in structure clear of obstruction.
5. To remove frost, scrape with a plastic or wood spatula or scraper. Do not use an ice pick or a metal or sharp-edged instrument as it may puncture the appliance liner and then the flammable refrigerant tubing behind it.
6. Do not use electrical appliances inside the storage compartment of the appliance.
7. Do not use any electrical device to defrost your appliance.

CONNECTING ELECTRICITY

⚠ WARNING **Electrical Shock Hazard.**

Plug into a grounded 3-prong outlet.
Do not remove the ground prong.
Do not use an adapter.

Do not use an extension cord with this appliance.
Failure to follow these instructions can result in death, fire, or electrical shock.

Do not, under any circumstances, cut or remove the third (ground) prong from the power cord. For personal safety, this appliance must be properly grounded.

The power cord of this appliance is equipped with a 3-prong (grounding) plug which mates with a standard 3-prong (grounding) wall outlet to minimize the possibility of electric shock hazard from this appliance.

Have the wall outlet and circuit checked by a qualified electrician to make sure the outlet is properly grounded.

If you have only a standard 2-prong wall outlet, it is your personal responsibility and obligation to have it replaced with a properly grounded 3-prong wall outlet.

NOTE: GFI (ground fault interrupter) is not recommended.

The appliance should always be plugged into its own individual electrical outlet which has a voltage rating that matches the rating plate.

This provides the best performance and also prevents overloading house wiring circuits which could cause a fire hazard from overheated wires.

Never unplug your appliance by pulling on the power cord. Always grip plug firmly and pull straight out from the outlet.

Immediately discontinue use of a damaged supply cord. If the supply cord is damaged, it must be replaced by a qualified service professional with an authorized service part from the manufacturer.

When moving the appliance away from the wall, be careful not to roll over or damage the power cord.

READ AND SAVE THESE INSTRUCTIONS

IMPORTANT SAFETY INFORMATION

READ ALL INSTRUCTIONS BEFORE USING

PROPER DISPOSAL OF THE BEVERAGE CENTER OR WINE CHILLER

▲ WARNING SUFFOCATION AND ENTRAPMENT HAZARD

Failure to follow these disposal instructions can result in death or serious injury

IMPORTANT: Child entrapment and suffocation are not problems of the past. Junked or abandoned appliances or freezers are still dangerous even if they will sit for “just a few days.” If you are getting rid of your old appliance, please follow the instructions below to help prevent accidents.

Before You Throw Away Your Old Appliance

- Take off the door.
- Leave the shelves in place so that children may not easily climb inside.

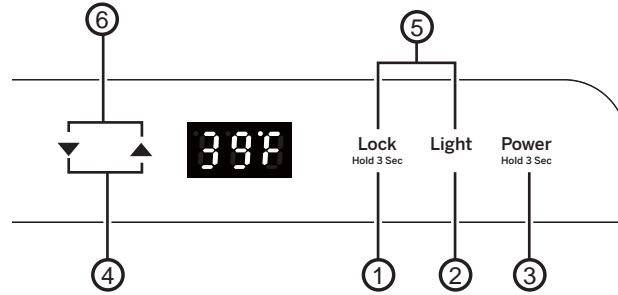
Refrigerant and Foam Disposal:

Dispose of appliance in accordance with Federal and Local Regulations. Flammable refrigerant and insulation material used require special disposal procedures. Contact your local authorities for the environmentally safe disposal of your appliance.

READ AND SAVE THESE INSTRUCTIONS

Controls and Features - Beverage Center

Temperature Control



The operating temperature of the beverage center is from 38°F (3°C) to 61°F (16°C).

This product is designed for storing and cooling beverages and/or wines. It is not intended for storage of perishable foods.

As with any refrigeration-type product, there is a slight temperature variance at different locations within the cabinet.

Do not install the beverage center where the temperature will go below 55°F (13°C) or above 90°F (32°C).

1. Locking/Unlocking Control Panel: To change any settings, control panel needs to be unlocked. If control panel is locked, display will flash **Loc** for 4 seconds when a key is pressed, and the key press is ignored.

Press and hold **Lock** for 3 seconds to lock/unlock control panel.

2. Interior Light: To switch the interior light on/off, simply press **Light**. The display will flash ON or OFF in this process.

When light setting is ON, interior light is always on.

When light setting is OFF, interior light turns on when door is opened, and turns off when door is closed.

Door Alarm: If door is left open for more than 2 minutes, door alarm will sound until door is closed.

Door alarm can be turned off by pressing and holding **Light** for 10 seconds.

3. Power: Press and hold the **Power** key for 3 seconds to power on or off the beverage center.

4. UP and DOWN to Change Temperature Setting: Press the DOWN key or the UP key once to enter temperature setting change mode. The display will start to flash the current temperature setting.

Press the DOWN key or UP key again to decrease or increase the desired temperature in increments of one degree.

If no key is pressed in 3 seconds, the display will stop flashing, and your change will be automatically accepted.

When temperature setting is changed, allow 24 hours for the unit to stabilize.

5. Sabbath Mode: Press and hold **Lock** and **Light** simultaneously for 5 seconds to enter or exit Sabbath mode. Display will show **SAb** when in Sabbath mode.

6. Fahrenheit and Celsius: Press and hold the DOWN key and the UP key simultaneously for 3 seconds to switch between Fahrenheit and Celsius temperature display.

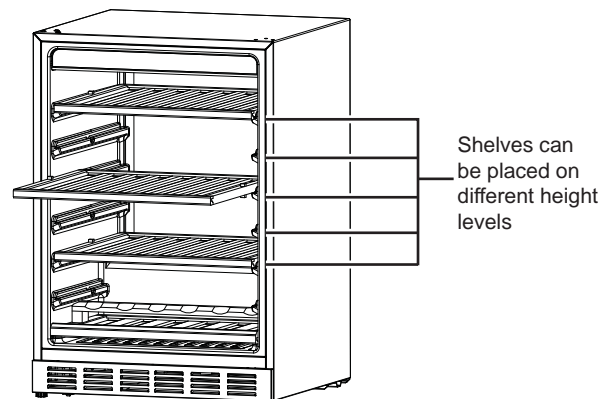
Adjustable Shelves

The beverage center features removable and adjustable shelves.

The top three shelves are adjustable. Shelves can be placed on different height levels for versatile storage configuration or storing larger items.

To remove a shelf, open the door completely to avoid potential damage to the shelf. Lift slightly and pull the shelf forward. The shelf may fit tightly in the track.

To replace a shelf, open the door completely to avoid potential damage to the shelf. Slide the shelf into the tracks along the sides of the cabinet until it stops.



Controls and Features - Beverage Center

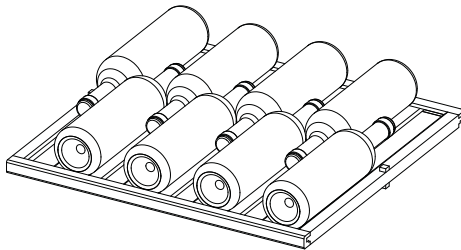
Reversible Shelves

The beverage center features reversible shelves, with wood rack on one side and tempered glass on the other side.

Loading Wine Bottles on the Top Three Shelves

Place shelves with wood rack side on top for loading wine bottles.

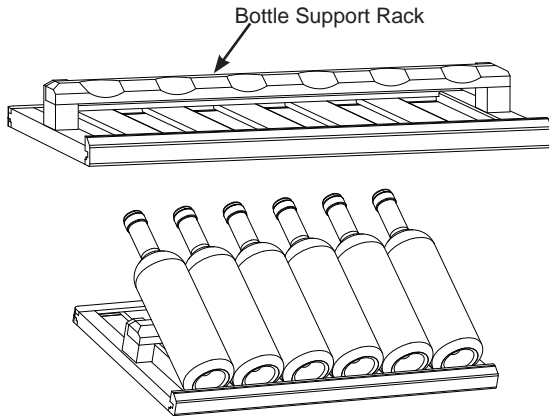
The top three shelves hold two bottles deep, with bottle necks alternating front to back.



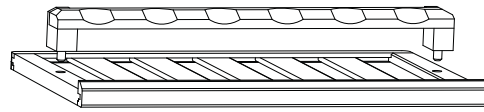
Top Three Shelves

Loading Wine Bottles on the Bottom Shelf

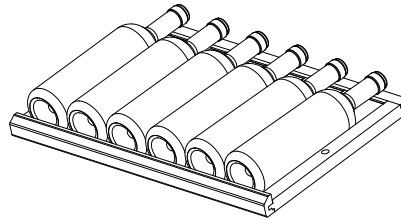
The bottom shelf features a wine bottle support rack. The support rack enables wine bottles being displayed at an angle. The support rack holds 6 bottles.



The support rack is removable. To remove the support rack, hold both left side and right side of the support rack and pull it up. Store the support rack for future use.



Once support rack is removed, the bottom shelf becomes a reversible shelf as the top three shelves.

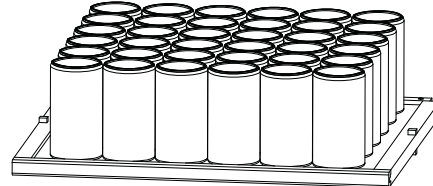


The bottom shelf holds six bottles. Tall bottles should not be loaded in the bottom drawer as they may prevent the door from closing.

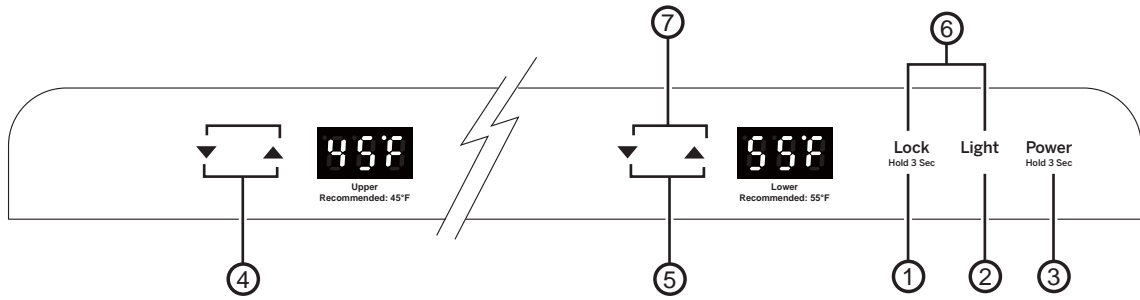
Loading Beverage Cans

Place shelves with tempered glass side on top for loading beverage cans.

NOTE: Remove the wine bottle support rack from the bottom shelf before reversing the shelf.



Controls and Features - Wine Chiller



Temperature Control

The wine chiller has two zones.

The operating temperature of the upper zone is from 43°F (6°C) to 55°F (13°C).

The operating temperature of the lower zone is from 55°F (13°C) to 62°F (17°C).

Recommended setting is 45°F (7°C) for the upper zone and 55°F (13°C) for the lower zone. This recommendation allows for easy storage of white wines in the upper zone and red wines in the lower zone.

This product is designed for storing and cooling wine. It is not intended for storage of perishable foods.

As with any refrigeration-type product, there is a slight temperature variance at different locations within each zone.

Do not install the wine chiller where the temperature will go below 55°F (13°C) or above 90°F (32°C).

1. Locking/Unlocking Control Panel: To change any settings, control panel needs to be unlocked. If control panel is locked, display will flash **Loc** for 4 seconds when a key is pressed, and the key press is ignored.

Press and hold **Lock** for 3 seconds to lock/unlock control panel.

2. Interior Light: To switch the interior light on/off, simply press **Light**. The display will flash ON or OFF in this process.

When light setting is ON, interior light is always on.

When light setting is OFF, interior light turns on when door is opened, and turns off when door is closed.

Door Alarm: If door is left open for more than 2 minutes, door alarm will sound until door is closed.

Door alarm can be turned off by pressing and holding **Light** for 10 seconds.

3. Power: Press and hold the **Power** key for 3 seconds to power on or off the beverage center.

4. UP and DOWN to Change Upper Zone Temperature Setting:

Press the DOWN key or the UP key once to enter temperature setting change mode. The upper zone display will start to flash the current temperature setting.

Press the DOWN key or UP key again to decrease or increase the desired temperature in increments of one degree.

5. UP and DOWN to Change Lower Zone Temperature Setting:

Press the DOWN key or the UP key, in the lower display area, once to enter temperature setting change mode. The lower zone display will start to flash the current temperature setting.

Press the DOWN key or UP key again to decrease or increase the desired temperature in increments of one degree.

If no key is pressed in 3 seconds, the display will stop flashing, and your change will be automatically accepted.

When temperature setting is changed, allow 24 hours for the unit to stabilize.

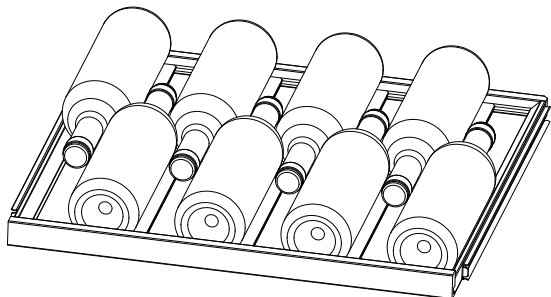
6. Sabbath Mode: Press and hold **Lock** and **Light** simultaneously for 5 seconds to enter or exit Sabbath mode. Display will show **SAB** when in Sabbath mode.

7. Fahrenheit and Celsius: Press and hold the DOWN key and the UP key simultaneously for 3 seconds to switch between Fahrenheit and Celsius temperature display.

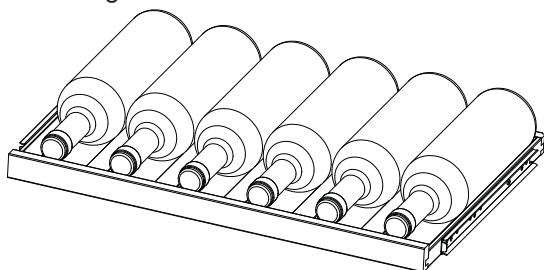
Controls and Features - Wine Chiller

Loading Wine Bottles

All three extension drawers in the upper zone and the top extension drawer in the lower zone each hold eight bottles, two deep with the necks alternating front to back.



The bottom two extension drawers in the lower zone hold six bottles each. Tall bottles should not be loaded in the bottom drawer as they may prevent the door from closing.



Extension Drawers

All of the extension drawers pull out so bottles can be conveniently loaded or removed.

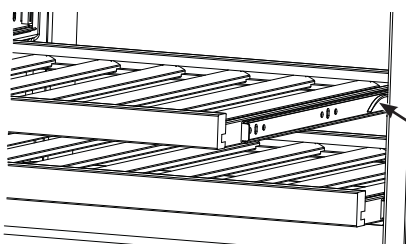
Any of the extension drawers can be removed to store larger bottles.

To remove:

1. Pull the extension drawer out to the STOP position.
2. Push the tab on right drawer guide down while pushing the tab on left guide up, and pull the drawer out.

To replace:

1. Insert the sides of the drawer back into the guides.
2. Push until the tabs lock into place.




Tab (Push the tab on right drawer guide down, push the tab on left guide up)

NOTE: Make sure the tabs on the extension drawer guides are fully engaged before loading any bottles. Pull the drawers out all the way to the STOP position and push back in several times to make sure locking tabs are properly engaged.

Care and Cleaning

Cleaning the Outside

⚠ WARNING  **Electrical Shock Hazard.**
Unplug the beverage center or wine chiller before cleaning.

Directions for Cleaning Outside Surfaces, Door Handles, and Trim

DO USE	DO NOT USE
Soft, clean cloth or sponge	Abrasive cloths, scrubbing sponges, scouring or steel wool pads
Mild detergent mixed with warm water Approved stainless steel cleaners; Visit the GE Appliances parts store for approved stainless steel cleaners: GEAppliancesparts.com or call 877.959.8688 Cleaners with oxalic acid such as Bar Keepers Friend Soft Cleanser™ can be used to remove surface rust, tarnish and small blemishes on stainless steel surfaces only.	Abrasive powders or sprays Window Sprays or Ammonia Citrus or plant oil-based cleaners Acidic or vinegar-based cleaners Oven cleaners Cleaners containing acetone (propanone) Any cleaner with WARNING about plastic contact

NOTE: DO NOT allow stainless steel cleaner to come in contact with any plastic parts such as trim pieces, handle hardware and liners. If unintentional contact of cleaners with plastic parts does occur, clean plastic part with a sponge and mild detergent mixed with warm water.

Cleaning the Inside

⚠ WARNING  **Electrical Shock Hazard.**
Unplug the beverage center or wine chiller before cleaning.

The vinyl door gasket may be cleaned with mild soap and water or a baking soda solution. Rinse well.

After cleaning the door gasket, apply a thin layer of paraffin wax or petroleum jelly to the door gasket at the hinge side. This helps keep the gasket from sticking and bending out of shape.

Use a slightly damp cloth or sponge when cleaning around lights or controls.

Use warm water and baking soda solution—about a tablespoon (15 ml) of baking soda to a quart (1 liter) of water. This both cleans and neutralizes odors. Thoroughly rinse and wipe dry.

Other parts of the beverage center or wine chiller unit—including the extension drawers and glass shelves—can be cleaned the same way.

Do not use detergents, scouring powders, spray cleaners or other harsh chemicals to clean the interior.

⚠ CAUTION Do not clean glass shelves with warm water when they are cold. Glass shelves may break if exposed to sudden temperature changes or impact, such as bumping or dropping. Tempered glass is designed to shatter into many small pieces if it breaks.

Automatic Defrosting

⚠ WARNING **Risk of Fire or Explosion.**
Flammable Refrigerant Used.

This product defrosts automatically.

Do not use an ice pick or a metal or sharp-edged instrument to accelerate the defrosting process as it may puncture the appliance liner and then the flammable refrigerant tubing behind it.

Do not use any electrical device to defrost your appliance.

NOTE: The drain pan above the compressor may be full following defrost. Check to make sure no water spills when moving the unit.

In the Event of a Power Failure

If the power fails, open the door as infrequently as possible to maintain the temperature.

Installation Instructions Beverage Center and Wine Chiller

Questions? Call 800.GE.CARES (800.432.2737) or Visit our Website at: GEAppliances.com

BEFORE YOU BEGIN

Read these instructions completely and carefully.

- **IMPORTANT** — Save these instructions for local inspector’s use.
- **IMPORTANT** — Observe all governing codes and ordinances.
- **Note to Installer** – Be sure to leave these instructions with the Consumer.
- **Note to Consumer** – Keep these instructions for future reference.
- **⚠ WARNING** This appliance must be properly grounded. See “Grounding the Beverage Center and Wine Chiller.”
- If you received a damaged beverage center or wine chiller, you should immediately contact your dealer or builder.
- **Skill Level** – Installation requires basic mechanical skills. Proper installation is the responsibility of the installer. Product failure due to improper installation is not covered under the GE Appliance Warranty.

DOOR SWING

The door swing on this product is not reversible.

- ### TOOLS REQUIRED
- #2 Phillips screwdriver
 - 10mm Hex nut driver

PRODUCT CLEARANCES

The beverage center and wine chiller is factory set for a 125° door swing.

When installed in a corner:

- Allow 4” min. clearance on the hinge side for the 90° door swing and to allow racks to slide out.
- Allow 16” minimum clearance on the hinge side for a full 125° door swing.

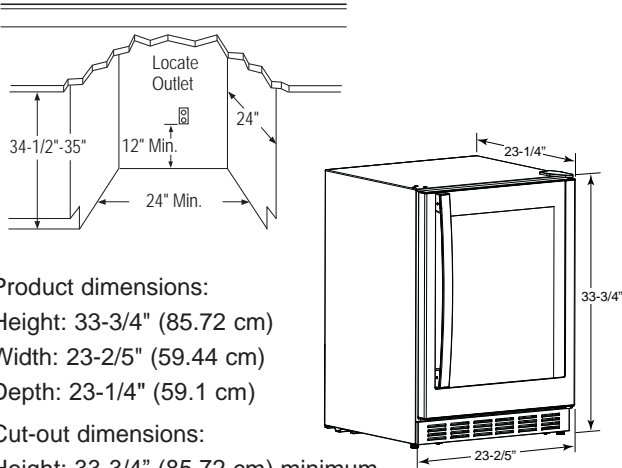
Choose the location:

- These products may be closed in on the top and three sides as long as the front is unobstructed for air circulation and proper access to the door.
- Do not install the appliance where the temperature will go below 55°F (19°C) because it will not run often enough to maintain proper temperatures.
- Do not install the appliance where the temperature will go above 90°F (35°C) because it will not perform properly.
- Do not install the appliance in a location exposed to water (rain, etc.) or direct sunlight.
- These products are not designed to be stacked one over the other.

Installation Instructions

INSTALLATION SPACE

The beverage center and wine chiller can be a free-standing model or it can be built in using the cut-out dimensions below.



Product dimensions:
 Height: 33-3/4" (85.72 cm)
 Width: 23-2/5" (59.44 cm)
 Depth: 23-1/4" (59.1 cm)

Cut-out dimensions:
 Height: 33-3/4" (85.72 cm) minimum
 Width: 24" (61 cm) minimum
 Depth: 24" (61 cm) minimum

The cutout depth should be 24"

The cutout dimensions shown allow for a full door swing and access to the pull-out racks when installed as a built-in in standard 24" deep cabinets.

- The door should protrude 1-1/2" beyond the surrounding cabinets.
- If installing between frameless cabinets, a 1/2" wide filler strip or side panel may be needed on hinge side. The filler strip will act as a spacer between the case and adjacent cabinet door swing. The width of the opening must include the filler panels. **NOTE:** The door should protrude 1-1/2" beyond the surrounding cabinets.
- The beverage center and wine chiller can be installed freestanding.

Additional Specifications

- A 120 volt 60Hz., 15 or 20 amp power supply is required. An individual properly grounded branch circuit or circuit breaker is recommended. Install a properly grounded 3-prong electrical receptacle recessed into the back wall as shown. Electrical must be located on rear wall as shown.

NOTE: GFI (ground fault interrupter) is not recommended.

GROUNDING THE BEVERAGE CENTER AND WINE CHILLER

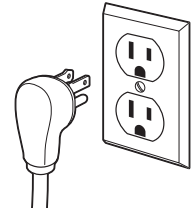
⚠ WARNING **Electrical Shock Hazard.** For personal safety, this appliance must be properly grounded.

The power cord of this appliance is equipped with a three-prong (grounding) plug which mates with a standard three-prong (grounding) wall receptacle to minimize the possibility of electric shock hazard from this appliance.

Have the wall outlet and circuit checked by a qualified electrician to make sure the outlet is properly grounded.

Where a standard 2-prong wall outlet is encountered, it is your personal responsibility and obligation to have it replaced with a properly grounded 3-prong wall outlet.

DO NOT, UNDER ANY CIRCUMSTANCES, CUT OR REMOVE THE THIRD (GROUND) PRONG FROM THE POWER CORD.



DO NOT USE AN ADAPTER PLUG TO CONNECT THE APPLIANCE TO A 2-PRONG OUTLET.

DO NOT USE AN EXTENSION CORD WITH THIS APPLIANCE.

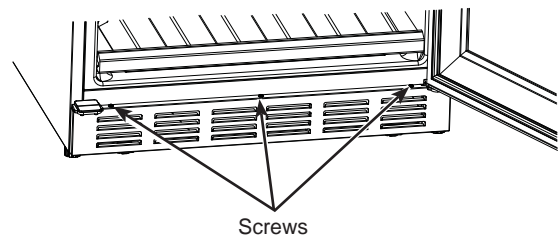
1 REMOVE PACKAGING

- Remove all packing material, tape and protective plastic coverings.

⚠ WARNING Small objects are a choke hazard for children. Remove and discard any parts not used.

2 REMOVE RUBBER PAD AND SHIPPING BRACKET

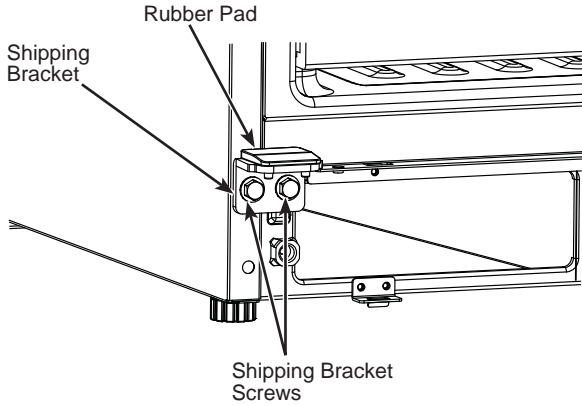
- Remove Toekick by removing 3 screws.



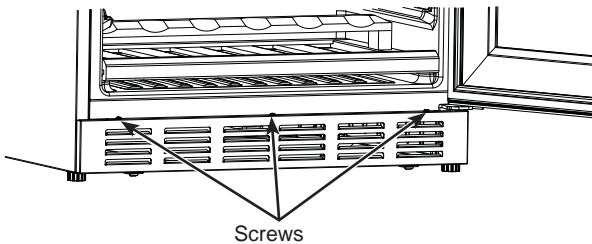
Installation Instructions

2 REMOVE RUBBER PAD AND SHIPPING BRACKET (Cont.)

- Remove 2 screws, shipping bracket, rubber pad and discard.



- Re-install Toekick with 3 screws.



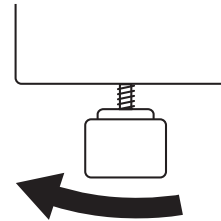
4 SLIDE PRODUCT INTO THE CUTOUT

- Carefully slide the unit into the opening. Be careful not to entangle power cord.
- Make certain that the door protrudes 1-1/2" beyond the surrounding cabinets.

5 LEVEL

Adjustable legs at the front corners of the beverage center and wine chiller should be set so the beverage center / wine chiller is firmly positioned on the floor, with a 1/8" tilt to the back to help the door closure.

To adjust the leveling legs, turn the legs counterclockwise to raise the beverage center / wine chiller, clockwise to lower it.



To raise the appliance

3 CONNECT POWER

- Connect power cord plug to a properly grounded receptacle.
- Make sure power is on by opening the door to see if interior light turns on.

6 SET TEMPERATURE CONTROLS

- The temperature controls are preset. Refer to the Temperature Control section for more information. Allow 24 hours for temperature to stabilize.

Normal operating sounds

Newer appliances sound different from older appliances. Modern appliances have more features and use newer technology.

HUMMM... WHOOSH...

- The new high efficiency compressor may run faster and longer than your old appliance and you may hear a high-pitched hum or pulsating sound while it is operating.
- Sometimes the appliance runs for an extended period, especially when the doors are opened frequently.
- You may hear a whooshing sound when the doors close. This is due to pressure equalizing within the appliance.



- You may hear the fans spinning at high speeds. This happens when the appliance is first plugged in, when the doors are opened frequently or when large amounts of beverages are added to the appliance. The fans help maintain desired temperatures.
- If door is open for over 3 minutes, you may hear the fans come on in order to cool the appliance.

CLICKS, POPS, CRACKS and CHIRPS

- You may hear cracking or popping sounds when the appliance is first plugged in. This happens as the appliance cools to the correct temperature.
- Expansion and contraction of cooling coils during and after defrost can cause a cracking or popping sound.

WATER SOUNDS

- The flow of refrigerant through the appliance cooling coils may make a gurgling noise like boiling water.
- Closing the door may cause a gurgling sound due to pressure equalization.

Troubleshooting tips ... Before you call for service

Problem	Possible Causes	What To Do
Appliance does not operate	Appliance may be in defrost cycle.	This is normal. Compressor does not operate for about 30 minutes when in defrost cycle.
	Appliance is unplugged.	Push the plug completely into the outlet.
	Appliance is powered off.	Power appliance back on. See "Power" in Temperature Control section.
	The circuit breaker is tripped/ the fuse is blown.	Replace fuse or reset the breaker.
	GFI outlet is tripped.	Reset outlet. GFI outlet is not recommended.
Vibration or rattling (slight vibration is normal)	Appliance is on an uneven surface.	Adjust the leveling legs as shown in the Installation Instructions.
Motor operates for long periods or cycles on and off frequently	Normal when appliance is first plugged in.	Wait 24 hours for the appliance to completely cool down.
	Often occurs when large amounts of wine or beverages are placed in the appliance.	This is normal.
	Door left open.	Always make sure that the door is closed after opening. Check to see if a bottle is holding door open.
	Hot weather or frequent door openings.	This is normal.
	Temperature control set at the coldest setting.	Allow 24 hours for temperature to change.
Compartment too warm	Normal when appliance is first plugged in.	Wait 24 hours for the appliance to completely cool down.
	Often occurs when large amounts of wine or beverages are placed in the appliance.	This is normal.
	Temperature control not set cold enough.	See Temperature Control section.
	Warm weather or frequent door openings.	See Temperature Control section.
	Door left open.	Always make sure that the door is closed after opening. Check to see if a bottle is holding door open.
Appliance has odor	Interior needs cleaning.	See Care and cleaning.
		Keep open box of baking soda in appliance; replace every 3 months.
Door not closing properly	Door gasket is sticking or folding over.	Apply petroleum jelly or paraffin wax to the face of the gasket.
	The door is hitting an internal component inside the appliance.	Adjust internal components to prevent interference.

Troubleshooting tips ... Before you call for service

Problem	Possible Causes	What To Do
Moisture forms on outside of appliance	Not unusual during periods of high humidity.	If bothersome, wipe surface dry; otherwise, moisture will evaporate in time.
	Door left open.	Always make sure that the door is closed after opening. Check to see if a bottle is holding door open.
Frost or moisture collects inside	Too frequent or too long door openings.	Appliance will dissipate moisture in time. If bothersome, wipe surface dry.
	In humid weather, air carries moisture into appliance when door is opened.	Appliance will dissipate moisture in time. If bothersome, wipe surface dry.
	Temperature control set at coldest setting.	See Temperature Control section.
Interior light does not operate	Appliance is unplugged.	Push the plug completely into the outlet.
	The circuit breaker is tripped / the fuse is blown.	Replace fuse or reset the breaker.
	GFI outlet is tripped.	Reset outlet. GFI outlet is not recommended.
Hot air from bottom of appliance	Normal air flow cooling motor.	In the refrigeration process, it is normal for heat to be expelled in the area under the appliance. Some floor coverings are sensitive and will discolor at these safe and normal temperatures.
Appliance never shuts off	Too frequent or too long door openings.	This is normal. The appliance will cycle off after it reaches desired temperature.
	Extreme environment temperatures	Normal operation in extreme temperatures.

GE Appliances Limited Warranty

LIMITED WARRANTY

GEAppliances.com

For US Customers, all warranty service is provided by our Factory Service Centers, or an authorized Customer Care® technician. To schedule service online, visit us at geappliances.com/service, or call GE Appliances at 800.GE.CARES (800.432.2737). Please have your serial number and your model number available when calling for service. **In Canada**, call 800.561.3344.

GE and PROFILE Series Models:

For the period of	GE Appliances will replace
One year From the date of the original purchase	Any part of the beverage center or wine chiller which fails due to a defect in materials or workmanship. During this limited one-year warranty , GE Appliances will provide, free of charge , all labor and in-home service to replace the defective part.

PROFILE Series Models Only:

For the period of	GE Appliances will replace
Five years From the date of the original purchase	Any part of the sealed refrigerating system (the compressor, condenser, evaporator and all connecting tubing) which fails due to a defect in materials or workmanship. During this limited five-year sealed refrigerating system warranty , GE Appliances will also provide, free of charge, all labor and related service to replace the defective part in the sealed refrigerating system.

What GE Appliances will not cover:

- Service trips to your home to teach you how to use the product.
- Improper installation, delivery or maintenance.
- Failure of the product if it is abused, misused, or used for other than the intended purpose or used commercially.
- Loss of wine due to spoilage.
- Replacement of house fuses or resetting of circuit breakers.
- Damage caused after delivery.
- Replacement of the light bulbs, if included, or water filter cartridge, if included.
- Damage to the product caused by accident, fire, floods or acts of God.
- Incidental or consequential damage caused by possible defects with this appliance.
- Product not accessible to provide required service.
- Damage to finish, such as surface rust, tarnish, or small blemishes not reported within 48 hours of delivery.

EXCLUSION OF IMPLIED WARRANTIES

Your sole and exclusive remedy is product repair as provided in this Limited Warranty. Any implied warranties, including the implied warranties of merchantability or fitness for a particular purpose, are limited to one year or the shortest period allowed by law.

For US Customers: This limited warranty is extended to the original purchaser and any succeeding owner for products purchased for home use within the USA. If the product is located in an area where service by a GE Appliances Authorized Servicer is not available, you may be responsible for a trip charge or you may be required to bring the product to an Authorized GE Appliances Service location for service. In Alaska, the limited warranty excludes the cost of shipping or service calls to your home.

Some states do not allow the exclusion or limitation of incidental or consequential damages. This limited warranty gives you specific legal rights, and you may also have other rights which vary from state to state. To know what your legal rights are, consult your local or state consumer affairs office or your state's Attorney General.

Warrantor: GE Appliances, a Haier company
Louisville, KY 40225

For Customers in Canada: This limited warranty is extended to the original purchaser and any succeeding owner for products purchased in Canada for home use within Canada. In-home warrant service will be provided in areas where it is available and deemed reasonable by Mabe to provide.

Warrantor Canada: MC Commercial, Burlington, Ontario, L7R 5B6

Staple your receipt here. Proof of the original purchase date is needed to obtain service under the warranty.

Consumer Support

GE Appliances Website

Have a question or need assistance with your appliance? Try the GE Appliances Website 24 hours a day, any day of the year! You can also shop for more great GE Appliances products and take advantage of all our on-line support services designed for your convenience. In the US: GEAppliances.com In Canada: GEAppliances.ca

Register Your Appliance

Register your new appliance on-line at your convenience! Timely product registration will allow for enhanced communication and prompt service under the terms of your warranty, should the need arise. You may also mail in the pre-printed registration card included in the packing material.

In the US: GEAppliances.com/register

In the Canada: Prodsupport.mabe.ca/crm/Products/ProductRegistration.aspx

Schedule Service

Expert GE Appliances repair service is only one step away from your door. Get on-line and schedule your service at your convenience any day of the year. In the US: GEAppliances.com/service or call 800.432.2737 during normal business hours.

In Canada: GEAppliances.ca/en/support/service-request or call 800.561.3344

Extended Warranties

Purchase a GE Appliances extended warranty and learn about special discounts that are available while your warranty is still in effect. You can purchase it on-line anytime. GE Appliances Services will still be there after your warranty expires. In the US: GEAppliances.com/extended-warranty or call 800.626.2224 during normal business hours.

In Canada: GEAppliances.ca/en/support/purchase-extended-warranty or call 866.277.9842

Remote Connectivity

For assistance with wireless network connectivity (for models with remote enable), visit our website at GEAppliances.com/ge/connected-appliances or call 800.220.6899 in the US only.

Parts and Accessories

Individuals qualified to service their own appliances can have parts or accessories sent directly to their homes (VISA, MasterCard and Discover cards are accepted). Order on-line today 24 hours every day.

In the US: GEApplianceparts.com or by phone at 877.959.8688 during normal business hours.

Instructions contained in this manual cover procedures to be performed by any user. Other servicing generally should be referred to qualified service personnel. Caution must be exercised, since improper servicing may cause unsafe operation.

Customers in Canada should consult the yellow pages for the nearest Mabe service center, visit our website at GEAppliances.ca/en/products/parts-filters-accessories or call 800.661.1616.

Contact Us

If you are not satisfied with the service you receive from GE Appliances, contact us on our Website with all the details including your phone number, or write to:

In the US: General Manager, Customer Relations | GE Appliances, Appliance Park | Louisville, KY 40225
GEAppliances.com/contact

In Canada: Director, Consumer Relations, Mabe Canada Inc. | Suite 310, 1 Factory Lane | Moncton, N.B. E1C 9M3
GEAppliances.ca/en/contact-us



REFROIDISSEUR À BOISSONS ET VIN

CONSIGNES DE SÉCURITÉ 3

MODE D'EMPLOI
 Commandes et caractéristiques :
 Refroidisseur de boissons
 Commande de température 6
 Tablettes réglables 6
 Tablettes réversibles 7
 Chargement 7
 Commandes et caractéristiques :
 Refroidisseur de vin
 Commande de température 8
 Suggestions de températures pour le rangement et le service du vin. 8
 Chargement 9
 Tiroirs extensibles 9

ENTRETIEN ET NETTOYAGE 10

INSTRUCTIONS D'INSTALLATION ... 11

CONSEILS DE DÉPANNAGE 14

GARANTIE LIMITÉE 17

SOUTIEN AU CONSOMMATEUR ... 18

MANUEL D'UTILISATION ET INSTRUCTIONS D'INSTALLATION

PWS06D****

PVS06B****

FRANÇAIS

Inscrivez les numéros de modèle et de série ci-après :

N° de modèle : _____

N° de série : _____

Vous trouverez ces numéros sur l'étiquette à l'intérieur du refroidisseur à boissons et vin.

NOUS VOUS REMERCIONS D'ACCUEILLIR CET ÉLECTROMÉNAGER GE CHEZ VOUS.

Que vous ayez grandi avec des électroménagers GE ou qu'il s'agisse de votre première acquisition, nous sommes heureux de vous accueillir dans notre famille.

Nous sommes fiers du savoir-faire, de l'innovation et de l'esthétique qui composent chaque électroménager GE, et nous pensons que vous le serez aussi. Dans cette optique, nous vous rappelons que l'enregistrement de votre électroménager vous assure la communication de renseignements importants sur le produit et la garantie lorsque vous en avez besoin.

Enregistrez votre électroménager GE en ligne dès maintenant. Des sites Web et des numéros de téléphone utiles figurent dans la section Soutien au consommateur de ce manuel d'utilisation. Vous pouvez aussi poster la fiche de garantie préimprimée incluse dans l'emballage.



GE APPLIANCES

IMPORTANTES CONSIGNES DE SÉCURITÉ - VEUILLEZ LIRE TOUTES LES INSTRUCTIONS AVANT UTILISATION DU FOUR

ATTENTION CONSOMMATEUR !

Cet appareil est conçu pour entreposer et refroidir les boissons uniquement. Ne pas y entreposer des denrées périssables.

⚠ AVERTISSEMENT

Pour réduire le risque d'incendie, d'explosion, de choc électrique ou de blessures lorsque vous utilisez votre appareil, veuillez suivre ces consignes de sécurité :

- Utilisez cet électroménager uniquement aux fins auxquelles il est fait mention dans ce manuel du propriétaire.
- Ce appareil doit être correctement installé conformément aux instructions d'installation avant toute utilisation.
- Débranchez le appareil avant d'effectuer une réparation ou de le nettoyer.
Remarque : L'alimentation du appareil ne peut être déconnectée par aucune des fonctions sur le panneau de commande.
Remarque : Les réparations doivent être effectuées par un professionnel qualifié.
- Remettez toutes les pièces et panneaux en place avant d'utiliser l'appareil.
- Abstenez-vous d'entreposer ou d'utiliser de l'essence ou d'autres vapeurs et liquides inflammables aux alentours de cet électroménager ou d'autres appareils.
- N'entreposez pas dans cet électroménager des substances explosives telles que des bombes aérosols qui contiennent un gaz propulseur.
- N'utilisez pas un cordon de rallonge.
- Afin de prévenir les risques d'asphyxie et d'enfermement des enfants, enlevez les portes des réfrigérateur et congélateur avant de mettre le appareil au rebut ou d'en cesser l'usage.
- Afin de prévenir les accidents graves ou la mort, les enfants ne doivent pas se tenir ni jouer dans ou sur l'électroménager.
- Les enfants et les personnes dont les capacités sont réduites sur le plan physique, sensoriel ou mental, ou qui manquent d'expérience ou de connaissances, peuvent utiliser cet électroménager seulement si elles sont surveillées ou ont reçues des consignes de sécurité sur son usage et les risques y sont associés.
- Cet électroménager est conçu pour une utilisation domestique et applications similaires : salle du personnel dans une usine, un bureau ou d'autres lieux de travail; maison de ferme; clients dans un hôtel, un motel, un gîte touristique et d'autres lieux résidentiels; approvisionnement et applications similaires non reliées au commerce de détail.
- N'appliquez pas de nettoyants corrosifs sur l'appareil. Certains nettoyants endommagent le plastique et peuvent ainsi causer la dépose imprévue de pièces telles que la porte ou les poignées. Consultez la section Entretien et nettoyage pour des instructions détaillées.

⚠ ATTENTION

Pour réduire le risque de blessures lorsque vous utilisez votre appareil, veuillez suivre ces consignes de sécurité.

- Ne nettoyez pas les tablettes ou les couvercles en verre avec de l'eau tiède quand ceux-ci sont froids. Les tablettes et couvercles en verre peuvent se casser s'ils sont exposés à des changements soudains de température ou si vous les cognez ou les faites tomber. Le verre trempé est conçu pour se briser en petits morceaux en cas de casse.
- Éloignez les doigts des parties du congélateur où l'on peut facilement se pincer : les espaces entre les portes, et entre les portes et les placards sont toujours étroits. Soyez prudent lorsque vous fermez les portes en présence d'enfants.
- Cet appareil ménager est conçu pour conserver et rafraîchir des boissons. Ne mettez pas de biens périssables dans cet appareil ménager.

LIRE ET CONSERVER CES INSTRUCTIONS

IMPORTANTES CONSIGNES DE SÉCURITÉ - VEUILLEZ LIRE TOUTES LES INSTRUCTIONS AVANT UTILISATION DU FOUR

INSTALLATION

⚠ AVERTISSEMENT



Risque d'explosion

Conservez les matériaux et vapeurs inflammables à l'écart de votre appareils. Une explosion, un incendie voire la mort pourrait en résulter.

⚠ AVERTISSEMENT



RISQUE D'INCENDIE OU D'EXPLOSION Réfrigérant inflammable

Cet appareil contient un gaz réfrigérant avec isobutane aussi connu sous R600a, un gaz naturel à compatibilité élevée avec l'environnement. Il s'agit cependant d'un combustible. Observez les consignes de sécurité ci-dessous afin de réduire le risque de blessure ou de dommage à la propriété.

1. Lors de la manipulation, de l'installation et de l'utilisation de cet appareil, prenez soin de ne pas endommager la tubulure du réfrigérant.
2. L'entretien ou la réparation doivent être effectués par un personnel de service autorisé. Utilisez seulement des pièces de rechange autorisées par le fabricant.
3. Mettez le appareil au rebut conformément aux réglementations fédérales et locales. Le gaz réfrigérant inflammable et les matériaux d'isolation utilisés dans ce produit requièrent des procédures de mise au rebut spéciales. Communiquez avec les autorités locales compétentes pour la mise au rebut de votre appareil sans danger pour l'environnement.
4. N'obstruez pas les orifices de ventilation dans les enceintes ou la structure d'encastrement de l'appareil.
5. Pour retirer le givre, gratter à l'aide d'un grattoir ou d'une spatule en plastique ou en bois. N'utilisez pas un pic à glace ni un instrument métallique ou aux arêtes coupantes car il y a risque de percer la doublure de l'appareil et la tubulure de réfrigérant derrière elle.
6. N'utilisez pas d'appareils électriques dans le compartiment de rangement de cet appareil.
7. N'utiliser aucun appareil électrique pour dégivrer votre appareil.

BRANCHEMENTS ÉLECTRIQUES

⚠ AVERTISSEMENT



Risque de choc électrique.

Branchez l'appareil dans une prise triple avec terre.
Ne retirez pas la broche de terre.
N'utilisez pas d'adaptateur.

N'utilisez pas de rallonge avec cet appareil.
Le non-respect de ces instructions peut entraîner des risques d'incendies, des chocs électriques ou la mort.

Ne coupez pas ou n'enlevez pas, sous aucun prétexte, la troisième broche de mise à la terre du cordon d'alimentation. Pour des raisons de sécurité, cet appareil doit être correctement mis à la terre.

Cet appareil est muni d'un cordon d'alimentation doté d'une fiche à prise de terre qui se branche sur une prise triphasée murale standard correspondante afin de minimiser le risque de choc électrique.

Faire vérifier la prise murale et le circuit électrique par un électricien qualifié afin d'assurer leur mise à la terre correcte.

Si vous avez une prise murale standard à deux fiches, il en découle de votre responsabilité et obligation de la faire remplacer par une prise murale triphasée.

REMARQUE : un disjoncteur de fuite de terre n'est pas recommandé.

L'appareil doit toujours être branché sur sa propre prise électrique individuelle qui fournit une tension nominale correspondant à celle inscrite sur la plaque signalétique.

Ce branchement permet de fournir le meilleur rendement et permet aussi d'éviter la surcharge du circuit électrique domestique, ce qui pourrait entraîner un risque d'incendie en raison de la surchauffe des fils électriques.

Ne débranchez jamais l'appareil en tirant sur le cordon d'alimentation. Tenez toujours fermement la fiche électrique et retirez directement de la prise.

Cessez immédiatement d'utiliser un cordon électrique endommagé. Si le cordon électrique est endommagé, son remplacement doit être effectué par un technicien en réparation qualifié au moyen d'un cordon de rechange autorisé par le fabricant.

Lors de l'éloignement de l'appareil du mur, faites attention de ne pas rouler sur le cordon d'alimentation ni de l'endommager.

LIRE ET CONSERVER CES INSTRUCTIONS

IMPORTANTES CONSIGNES DE SÉCURITÉ - VEUILLEZ LIRE TOUTES LES INSTRUCTIONS AVANT UTILISATION DU FOUR

MISE AU REBUT APPROPRIÉE DU REFROIDISSEUR À BOISSONS ET VIN

⚠ AVERTISSEMENT

RISQUE DE SUFFOQUER OU D'Y ÊTRE EMPRISONNÉ

Le non-respect de ces instructions d'élimination peut entraîner la mort ou des blessures graves.

IMPORTANT: Les enfants pris au piège ou morts d'asphyxie sont toujours d'actualité. Les appareils et congélateurs abandonnés sont toujours aussi dangereux, même si on n'attend que «quelques jours» pour s'en débarrasser. Si vous ne gardez pas votre ancien appareil ou congélateur, veuillez suivre les directives ci-dessous afin de prévenir les accidents.

Avant de vous débarrasser de votre ancien appareil :

- Démontez les porte.
- Laissez les clayettes en place afin d'empêcher les enfants de grimper à l'intérieur.

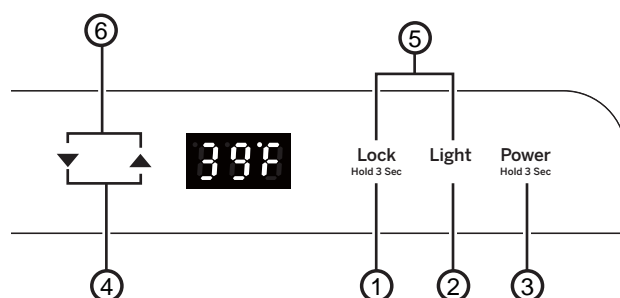
Mise au rebut des produits réfrigérants et en mousse

Mettez l'électroménager au rebut conformément à la réglementation fédérale et locale. Le réfrigérant inflammable et le matériel isolant utilisés nécessitent des procédures de mise au rebut spéciales. Communiquez avec les autorités locales pour connaître la façon de mettre votre électroménager au rebut qui soit respectueuse de l'environnement.

LIRE ET CONSERVER CES INSTRUCTIONS

Commandes et caractéristiques-Refroidisseur de boissons

Commande de température



La plage de températures du refroidisseur de boissons s'étend de 38°F (3°C) à 61°F (16°C).

Cet appareil est conçu pour le rangement et le refroidissement des boissons et/ou du vin. Il n'est pas destiné au rangement des aliments périssables.

Comme tout produit de réfrigération, il présente de légères variations de température à différents endroits de l'intérieur de la carrosserie.

N'installez pas le refroidisseur de boissons dans un endroit où la température sera supérieure à 55°F (13°C) car il ne fonctionnera pas correctement.

1. Verrouillage/déverrouillage du panneau de commande

: Pour modifier un réglage, le panneau de commande doit être déverrouillé. S'il est verrouillé, le mot **Loc** clignote durant 4 secondes sur l'afficheur si l'on appuie sur une touche, et la commande est ignorée.

Maintenez une pression sur **Lock** durant 3 secondes pour verrouiller et déverrouiller le panneau de commande.

2. Éclairage intérieur

: Pour allumer ou éteindre l'éclairage intérieur, appuyez simplement sur **Light**. L'afficheur fera clignoter ON (allumer) ou OFF (éteindre) pendant la manœuvre.

Sur ON, l'éclairage intérieur reste toujours allumé.

Sur OFF, l'éclairage intérieur s'allume à l'ouverture de la porte et s'éteint à sa fermeture.

Alarme de porte : Si la porte est laissée ouverte durant plus de 2 minutes, l'alarme de porte retentira jusqu'à ce que la porte soit fermée.

Vous pouvez faire cesser l'alarme de porte en maintenant une pression sur **Light** durant 10 secondes.

3. Mise sous/hors tension

: Maintenez une pression sur **Power** durant 3 secondes pour mettre le refroidisseur de boissons sous ou hors tension.

4. Flèche vers le haut ou le bas pour changer le réglage de la température

: Pressez la touche fléchée vers le BAS ou le HAUT une fois pour entrer dans le mode de modification de la température. L'afficheur fera alors clignoter la température de réglage actuel.

Appuyez sur la touche vers le BAS ou le HAUT à nouveau pour diminuer ou augmenter la température par unités de 1 degré.

Si aucune touche n'est pressée au bout de 3 secondes, l'afficheur cessera de clignoter et votre modification sera automatiquement acceptée.

Après une modification de température, allouez 24 heures pour obtenir sa stabilisation.

5. Mode Sabbat

: Maintenez une pression sur **Lock** et **Light** simultanément durant 5 secondes pour entrer dans le mode Sabbat ou le quitter. Le mot **SAb** s'affiche en mode Sabbat.

6. Fahrenheit ou Celsius

: Maintenez une pression sur la touche fléchée BAS ou HAUT simultanément durant 3 secondes pour changer l'affichage de température entre Fahrenheit et Celsius.

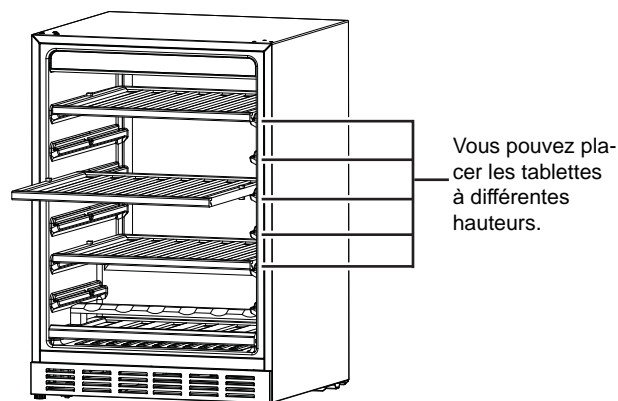
Tablettes réglables

Le refroidisseur de boissons comporte des tablettes amovibles et réglables.

Les trois tablettes supérieures sont réglables. On peut placer les tablettes à différentes hauteurs pour une configuration polyvalente ou le rangement de plus grands formats.

Pour retirer une tablette sans risquer de l'endommager, ouvrez complètement la porte. Soulevez la tablette légèrement et tirez-la vers l'avant. La tablette peut être assez serrée dans ses rails.

Pour replacer une tablette sans risquer de l'endommager, ouvrez complètement la porte. Glissez la tablette dans ses rails le long des côtés de la carrosserie jusqu'à ce qu'elle s'arrête.



Commandes et caractéristiques-Refroidisseur de boissons

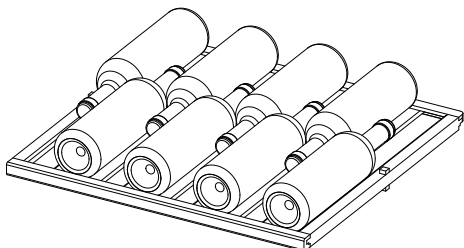
Tablettes réversibles

Le refroidisseur de boissons comporte des tablettes réversibles dont un côté est en bois et l'autre en verre trempé.

Chargement des bouteilles de vin sur les trois tablettes supérieures

Placez les tablettes avec un côté en bois dans la partie supérieure pour charger les bouteilles de vin.

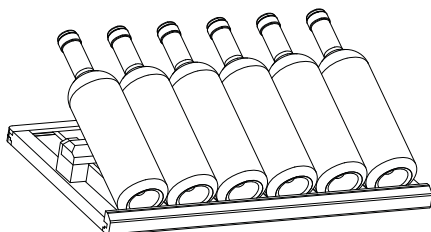
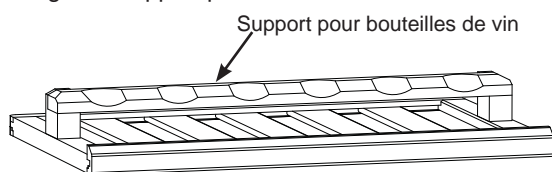
Les trois tablettes supérieures supportent deux bouteilles en profondeur avec leur goulot alternant d'avant en arrière.



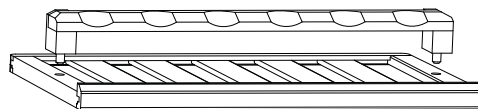
Trois tablettes supérieures

Chargement des bouteilles de vin sur la tablette inférieure

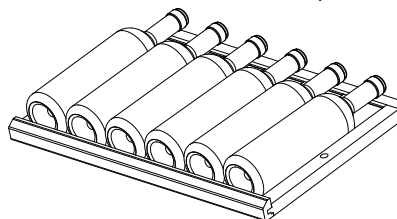
Le support pour bouteilles de vin est amovible. Pour retirer le support, tenez ses côtés gauche et droit et tirez-le vers le haut. Rangez le support pour utilisation ultérieure.



Le support pour bouteilles de vin est amovible. Pour retirer le support, tenez ses côtés gauche et droit et tirez-le vers le haut. Rangez le support pour utilisation ultérieure.



Une fois le support retiré, la tablette inférieure devient réversible comme les trois tablettes supérieures.

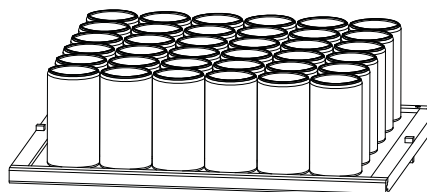


La tablette inférieure peut supporter six bouteilles. Il ne faut pas ranger de bouteilles longues dans le tiroir inférieur car elles peuvent nuire à la fermeture de la porte.

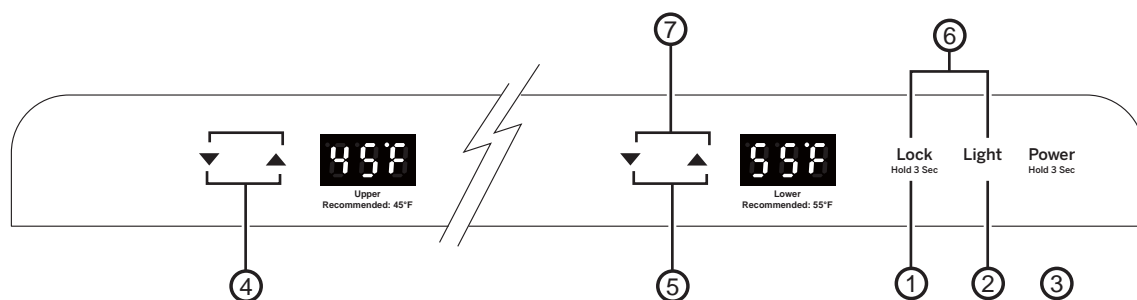
Chargement de canettes de boissons

Placez les tablettes avec un côté en verre trempé dans la partie supérieure pour charger les canettes de boisson.

REMARQUE : Retirez le support pour bouteilles de vin de la tablette inférieure avant d'inverser la tablette.



Commandes et caractéristiques - Refroidisseur à vin



Commande de température

Le refroidisseur de vin comporte deux zones.

La plage de températures de la zone supérieure s'étend de 43°F (6°C) à 55°F (13°C).

La plage de températures de la zone inférieure s'étend de 55°F (13°C) à 62°F (17°C).

Nous recommandons une température de 45°F (7°C) dans la zone supérieure et de 55°F (13°C) dans la zone inférieure. Cette recommandation facilite le stockage des vins blancs dans la zone supérieure et des vins rouges dans zone inférieure.

Ce produit est conçu pour le rangement et le refroidissement du vin. Il n'est pas destiné au rangement des aliments périssables.

Comme tout produit de réfrigération, il présente de légères variations de température à différents endroits dans chaque zone.

N'installez pas le refroidisseur de vin dans un endroit où la température sera inférieure à 55°F (13°C) ou supérieure à 90°F (32°C).

1. Verrouillage/déverrouillage du panneau de commande

: Pour modifier un réglage, le panneau de commande doit être déverrouillé. S'il est verrouillé, le mot **Loc** clignote durant 4 secondes sur l'afficheur si l'on appuie sur une touche, et la commande est ignorée.

Maintenez une pression sur Lock durant 3 secondes pour verrouiller et déverrouiller le panneau de commande.

2. Éclairage intérieur

: Pour allumer ou éteindre l'éclairage intérieur, appuyez simplement sur **Light**. L'afficheur fera clignoter ON (allumer) ou OFF (éteindre) pendant la manœuvre.

Sur ON, l'éclairage intérieur reste toujours allumé.

Sur OFF, l'éclairage intérieur s'allume à l'ouverture de la porte et s'éteint à sa fermeture.

Alarme de porte : Si la porte est laissée ouverte durant plus de 2 minutes, l'alarme de porte retentira jusqu'à ce que la porte soit fermée.

Vous pouvez faire cesser l'alarme de porte en maintenant une pression sur **Light** durant 10 secondes.

3. Mise sous/hors tension

: Maintenez une pression sur **Power** durant 3 secondes pour mettre le refroidisseur de boissons sous ou hors tension.

4. Flèche vers le HAUT ou le BAS pour changer le réglage de la température de la zone supérieure

: Pressez la touche fléchée vers le BAS ou le HAUT une fois pour entrer dans le mode de modification de la température. L'afficheur de la zone supérieure fera clignoter la réglage de température actuel.

Appuyez sur la touche vers le BAS ou le HAUT à nouveau pour diminuer ou augmenter la température par unités de 1 degré.

5. Flèche vers le HAUT ou le BAS pour changer le réglage de la température de la zone inférieure

: Dans la zone d'affichage inférieure, pressez la touche fléchée vers le BAS ou le HAUT une fois pour entrer dans le mode de modification de la température. L'afficheur de la zone inférieure fera clignoter la réglage de température actuel.

Appuyez sur la touche vers le BAS ou le HAUT à nouveau pour diminuer ou augmenter la température par unités de 1 degré.

Si aucune touche n'est pressée au bout de 3 secondes, l'afficheur cessera de clignoter et votre modification sera automatiquement acceptée.

Après une modification de température, allouez 24 heures pour obtenir sa stabilisation.

6. Mode Sabbat

: Maintenez une pression sur **Lock** et **Light** simultanément durant 5 secondes pour entrer dans le mode Sabbat ou le quitter. Le mot **SAb** s'affiche en mode Sabbat.

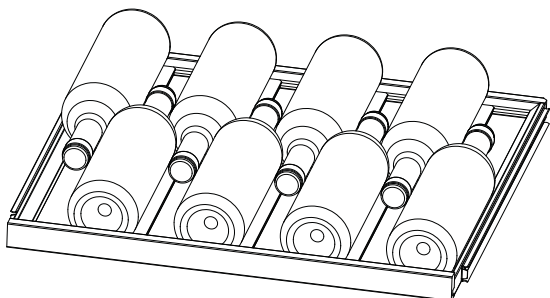
7. Fahrenheit ou Celsius

: Maintenez une pression sur la touche fléchée BAS ou HAUT simultanément durant 3 secondes pour changer l'affichage de température entre Fahrenheit et Celsius.

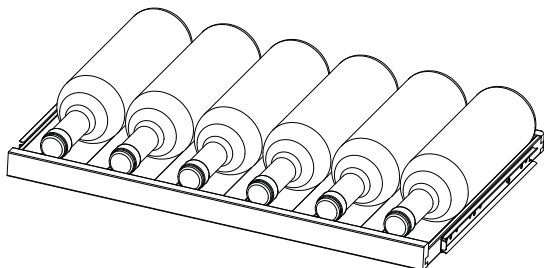
Commandes et caractéristiques - Refroidisseur à vin

Chargement des bouteilles de vin

Tous les trois tiroirs extensibles dans la zone supérieure et le tiroir extensible supérieur dans la zone inférieure supportent huit bouteilles chacun, deux bouteilles en profondeur avec leur goulot en alternance d'avant en arrière.



Les deux tiroirs extensibles inférieurs dans la zone inférieure supportent six bouteilles chacun. Il ne faut pas ranger de bouteilles longues sur le tiroir inférieur car elles peuvent nuire à la fermeture de la porte.



Tiroirs extensibles

Tous les tiroirs extensibles se tirent afin d'ajouter ou de retirer facilement les bouteilles.

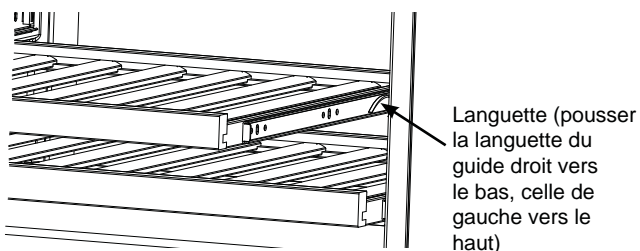
Tous les tiroirs extensibles peuvent être retirés pour ranger des bouteilles de plus grande taille.

Pour retirer :

1. Tirez le tiroir extensible jusqu'à la position STOP (arrêt).
2. Poussez la languette sur le guide de tiroir droit vers le bas tout en poussant la languette sur le guide gauche vers le haut, puis tirez le tiroir pour le sortir.

Remise en place :

1. Réinsérez les côtés du tiroir dans les guides.
2. Poussez jusqu'à ce que les languettes se verrouillent en place.



REMARQUE : Assurez-vous que les languettes sur les guides du tiroir extensibles sont complètement insérées avant de charger des bouteilles. Tirez les tiroirs complètement jusqu'à la position STOP et repoussez plusieurs fois vers l'arrière pour vous assurer que les languettes de verrouillage sont correctement insérées.

Entretien et nettoyage

Nettoyage de l'extérieur

⚠ AVERTISSEMENT  **Risque de choc électrique.**

Débranchez le refroidisseur à boissons et vin avant tout nettoyage.

Directives pour nettoyer les surfaces extérieures, les poignées de porte et les garnitures

UTILISER	NE PAS UTILISER
Linge ou éponge doux et propres	Linges abrasifs, éponges à récurer, tampons à récurer ou en laine d'acier.
Détergent doux dans eau chaude. Nettoyants pour acier inoxydable approuvés; visitez la boutique de pièces GE Appliances pour des nettoyants pour acier inoxydable approuvés : Electromenagersge.ca/fr/produits/filtres-et-accessoires ou appeler 800.661.1616 On peut utiliser des nettoyants à base d'acide oxalique tels que Bar Keepers Friend Soft Cleanser™ pour éliminer la rouille de surface, le ternissement et les petites taches sur les surfaces en acier inoxydable seulement.	Poudres ou vaporisateurs abrasifs. Vaporisateurs pour fenêtres ou ammoniac. Nettoyants à base d'agrumes ou de plantes. Nettoyants acides ou à base de vinaigre. Nettoyants pour le four. Nettoyants qui contiennent de l'acétone (propanone). Tout nettoyant avec AVERTISSEMENT relatif au contact du plastique.

REMARQUE : Ne laissez PAS un nettoyant pour acier inoxydable venir au contact de pièces en plastique telles que garnitures, quincaillerie de poignée ou doublures. Si un contact non intentionnel d'un nettoyant avec une pièce en plastique survient, nettoyez la pièce en plastique avec une éponge et un détergent doux mélangé dans l'eau chaude.

Nettoyage de l'intérieur

⚠ AVERTISSEMENT  **Risque de choc électrique.**

Débranchez le refroidisseur à boissons et vin avant tout nettoyage.

Le joint d'étanchéité en vinyle de la porte se nettoie à l'aide de savon doux et d'eau ou avec une solution de bicarbonate de soude. Rincez bien.

Une fois le joint de la porte nettoyé, appliquez une couche mince de paraffine ou de vaseline sur le joint du côté de la charnière. Ceci permet d'éviter que le joint ne colle ou ne se déforme.

Utilisez un linge ou une éponge humide pour nettoyer autour de l'ampoule ou des commandes.

Utilisez une solution d'eau chaude et de bicarbonate de soude : environ une cuillère à café (15 ml) de bicarbonate de soude pour un quart (1 l) d'eau. Cela permet à la fois de nettoyer et de désodoriser. Rincez et séchez complètement.

Les autres pièces du refroidisseur à boissons et à vin, y compris les tiroirs à extension et les clayettes en verre, peuvent être nettoyées de la même manière.

N'utilisez pas de nettoyants, de poudres récurrentes, de nettoyant en aérosols ou autres produits chimiques puissants pour nettoyer l'intérieur.

⚠ ATTENTION Ne nettoyez pas les tablettes en verre avec de l'eau chaude lorsqu'ils sont froids. Les tablettes en verre peuvent se briser s'ils sont exposés à une variation de température soudaine, ou soumis à un impact s'ils sont heurtés ou échappés. S'il se brise, le verre trempé est conçu pour se fracturer en un grand nombre de petits éclats. Ne lavez aucune pièce en plastique du appareil au lave-vaisselle.

Dégivrage automatique

⚠ AVERTISSEMENT **Risque d'incendie ou d'explosion. Présence de réfrigérant inflammable.**

Ce produit se dégivre automatiquement.

N'utilisez pas un pic à glace ni un instrument métallique ou aux arêtes coupantes pour accélérer le dégivrage car il y a risque de percer la doublure de l'appareil et la tubulure de réfrigérant derrière elle.

N'utiliser aucun appareil électrique pour dégivrer le congélateur.

REMARQUE : Le bac d'évacuation au-dessus du compresseur peut être plein après le dégivrage. Assurez-vous de ne pas provoquer de débordement lors du déplacement de l'appareil.

Dans le cas d'une panne d'électricité

En cas de panne d'électricité, ouvrez la porte le moins possible pour conserver la température interne.

Instructions d'installation

Refroidisseur à boissons et vin

Questions ? Composez le : 800.361.3400 ou consultez le site :
electromenagersge.ca

AVANT DE COMMENCER

Lisez attentivement et soigneusement ces instructions.

- **IMPORTANT** — Conservez ces instructions pour l'utilisation de l'inspecteur local.
- **IMPORTANT** — Respectez tous les codes et les ordonnances en vigueur.
- **Remarque à l'intention de l'installateur** — Assurez-vous de laisser ces instructions au client.
- **Remarque à l'intention du consommateur** — Conservez ces instructions à titre de référence.
- **⚠ AVERTISSEMENT** Cet appareil doit être mis à la terre correctement. Consultez le chapitre « Mettre à la terre le refroidisseur à boissons et vin ».
- Si vous recevez un refroidisseur à boissons et vin endommagé, vous devez prendre contact immédiatement avec votre revendeur ou le fabricant.
- **Niveau de connaissance** — L'installation exige des connaissances mécaniques de base. L'installateur est responsable pour une mise en route correcte. Toute défaillance du produit en raison d'une mauvaise installation n'est pas couverte par la garantie des produits GE Appliances.

SENS D'OUVERTURE DE LA PORTE

Le sens d'ouverture de porte de ce produit n'est pas réversible.

OUTILS REQUIS

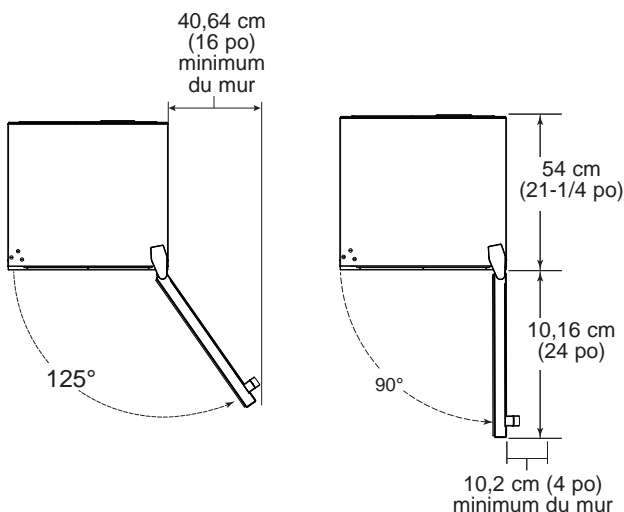
- Tournevis à tête étoilée no 2
- Tournevis à douille 10 mm

DÉGAGEMENT REQUIS POUR OUVERTURE DE PORTE

La porte du refroidisseur à boissons et vin est pré-réglée en usine pour s'ouvrir à 125°.

Si installé dans un coin :

- Laissez au moins 10,2 cm (4 po) de dégagement du côté de la charnière pour que la porte puisse s'ouvrir à 90° et ainsi permettre aux clayettes ou tiroirs d'être retirés.
- Laissez au moins 40,64 cm (16 po) de dégagement du côté de la charnière pour que la porte puisse s'ouvrir à 125°.



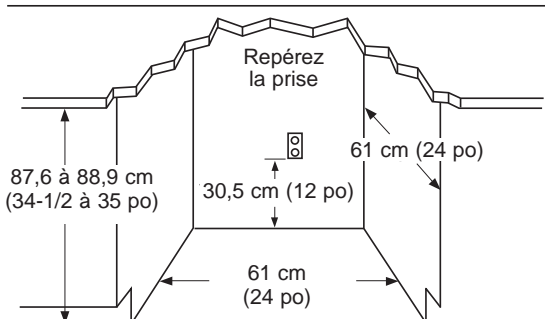
Choix de l'emplacement :

- Ces appareils peuvent être encastrés et fermés sur le dessus et 3 côtés du moment que le devant reste dégagé afin de promouvoir un flux d'air et un accès appropriés.
- N'installez pas le appareil dans une pièce où les températures descendent en-dessous de 19°C (55°F) parce qu'il serait difficile d'y maintenir une température correcte.
- N'installez pas le appareil dans un endroit où la température ambiante sera supérieure à 35°C (90°F), il ne fonctionnera pas correctement.
- N'installez pas le appareil dans un endroit exposé à l'eau (pluie, etc.) ou directement aux rayons solaires.
- Ces produits ne sont pas conçus pour être entassés.

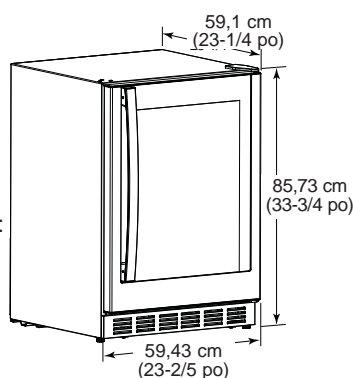
Instructions d'installation

ESPACE POUR INSTALLATION

Le refroidisseur à boissons et vin peut être un modèle autonome ou encastré suivant les dimensions suivantes :
La dimension d'encastrement doit être de 61 cm (24 po)



Dimensions du produit :
 Hauteur : 85,72 cm (33-3/4 po)
 Largeur : 59,44 cm (23-2/5 po)
 Profondeur : 59,1 cm (23-1/4 po)
 Dimensions d'encastrement :
 Hauteur : 85,72 cm (33-3/4 po) min.
 Largeur : 61 cm (24 po) min.
 Profondeur : 61 cm (24 po) min



Les dimensions d'encastrement notées permettent à la porte de s'ouvrir complètement ainsi qu'un accès aux clayettes une fois l'appareil encastré suivant la profondeur de meuble standard de 61 cm (24 po).

- Les portes doivent dépasser de 3,81 cm (1-1/2 po) les meubles adjacents.
- Si l'installation se fait entre des meubles sans cadre, une bande de remplissage de 1,3 cm de largeur (1/2 po) ou un panneau latéral sera peut-être nécessaire du côté de la charnière. La bande de remplissage servira d'espaceur entre la caisse de l'appareil et le battant de porte du meuble adjacent. La largeur de l'espace doit inclure les panneaux latéraux.

REMARQUE : la porte doit dépasser de 3,81 cm (1-1/2 po) des meubles adjacents.

- Le refroidisseur à boissons et vin peut être installé de façon autonome.

Caractéristiques supplémentaires

- Une prise secteur de 120 volts 60 Hz., 15 ou 20 amp est requise. Un circuit indépendant mis à la terre correctement ou un disjoncteur est recommandé. Installez une prise de courant triphasée correctement mise à la terre au mur derrière l'appareil comme illustré. L'installation électrique doit être au mur, derrière l'appareil comme illustré.

REMARQUE : un disjoncteur de fuite de terre n'est pas recommandé.

METTRE À LA TERRE LE REFROIDISSEUR À BOISSONS ET VIN

AVERTISSEMENT  **Risque de choc**

électrique. Pour des raisons de sécurité personnelle, cet appareil doit être correctement mis à la terre.

Cet appareil est muni d'un cordon d'alimentation doté d'une fiche à prise de terre qui se branche sur une prise triphasée murale standard correspondante afin de minimiser le risque de choc électrique.

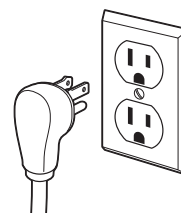
Faire vérifier la prise murale et le circuit électrique par un électricien qualifié afin d'assurer leur mise à la terre correcte.

Si vous avez une prise murale standard à deux fiches, il en découle de votre responsabilité et obligation de la faire remplacer par une prise murale triphasée.

NE COUPEZ ET NE RETIREZ DANS AUCUN CAS LA TROISIÈME BROCHE DE MISE À LA TERRE DU CORDON D'ALIMENTATION.

N'UTILISEZ PAS UN ADAPTATEUR DE PRISE POUR BRANCHER LE L'APPAREIL À UNE PRISE STANDARD À 2 FICHES.

N'UTILISEZ PAS DE RALLONGE AVEC CET APPAREIL.



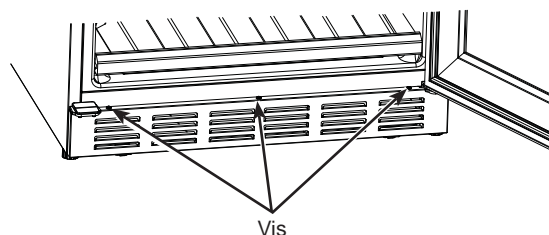
1 DÉBALLAGE

- Retirez toute matière de remplissage, ruban adhésif et plastique protecteur.

AVERTISSEMENT Les petites pièces présentent un danger d'étouffement pour les enfants. Retirez et jetez toutes pièces superflues.

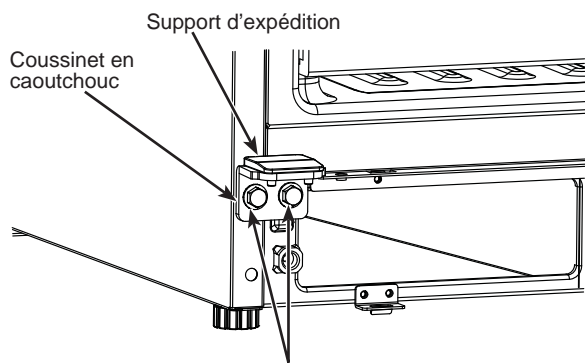
2 RETRAIT DU COUSSINET EN CAOUTCHOUC ET DU SUPPORT D'EXPÉDITION

- Enlevez le coup-de-pied en retirant 3 vis.

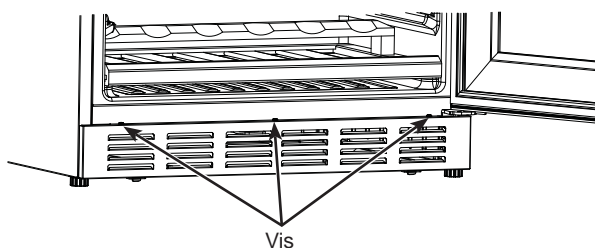


2 RETRAIT DU COUSSINET EN CAOUTCHOUC ET DU SUPPORT D'EXPÉDITION (suite)

- Retirez 2 vis, le support d'expédition, le coussinet en caoutchouc et jetez proprement.



- Réinstallez le coup-de-pied avec 3 vis.



3 BRANCHEMENT DE L'APPAREIL

- Branchez le cordon d'alimentation à une prise murale correctement mise à la terre.
- Vérifiez que l'alimentation est branchée en ouvrant la porte et vérifiant que la lumière s'allume bien.

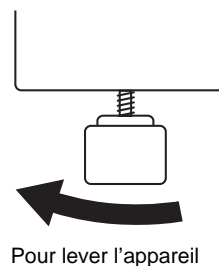
4 FAITES GLISSER L'APPAREIL DANS SON EMBLEMMENT

- Faites glisser l'appareil délicatement dans l'espace prévu. Faites attention de ne pas empêtrer le cordon d'alimentation.
- Vérifiez que la porte dépasse de 3,81 cm (1-1/2 po) les meubles adjacents.

5 MISE À NIVEAU

Les pieds réglables des coins avant du refroidisseur de boissons et de vin doivent être réglés de façon à asseoir solidement le refroidisseur sur le plancher, avec une pente de 1/8 po vers l'arrière pour faciliter la fermeture de la porte.

Pour régler les pieds de nivellement, tournez-les dans le sens contraire des aiguilles d'horloge pour lever le refroidisseur et dans le sens des aiguilles d'horloge pour le baisser.



6 RÉGLEZ LES COMMANDES DE TEMPÉRATURE

- Les commandes de température sont pré-réglées. Veuillez consulter le chapitre « Commande des températures » pour de plus amples informations. Laissez les températures se stabiliser pendant 24 heures.

Sons normaux de fonctionnement.

Les appareils électroménagers neufs émettent des bruits différents des anciens. Les appareils modernes ont plus de caractéristiques et utilisent des technologies plus nouvelles.

HUMMM... WHOOSH...

- Le nouveau compresseur à haut rendement peut tourner plus vite et plus longtemps que celui de votre ancien appareil et peut émettre des sons et vibrations plus aigus lorsqu'il fonctionne.
- L'appareil peut fonctionner pour de longues périodes surtout si la porte est ouverte fréquemment.
- Il se peut que vous entendiez un sifflement lorsque la porte est refermée. Ceci est causé par l'égalisation de la pression à l'intérieur de l'appareil.



- Il se peut que vous entendiez le ventilateur tourner très vite. Ceci se produit quand l'appareil est branché pour la première fois, lorsque la porte est ouverte trop souvent, ou lorsqu'une grande quantité de boissons est ajoutée. Le ventilateur aide à conserver la température voulue.
- Si la porte est ouverte pour plus de 3 minutes, il se peut que vous entendiez le ventilateur se mettre en marche pour refroidir l'appareil.

CLAQUEMENTS, EFFETS DE BULLES, CRAQUEMENTS et SIFFLEMENTS

- Il se peut que vous entendiez des craquements et effets de bulles lorsque l'appareil est branché pour la première fois. Ceci se produit lorsque l'appareil refroidit jusqu'à la température voulue.
- L'expansion et la contraction des serpentins de réfrigération pendant et après le dégivrage peut causer ces genres de sons.

BRUITS D'EAU

- La circulation de l'agent réfrigérant dans le serpentin émet un bruit d'eau qui bout.
- Fermer la porte peut provoquer un son de gargouille lorsque la pression s'égalise.

Conseils de dépannage ...

Avant d'appeler le service de dépannage

Problèmes	Causes possibles	Ce qu'il faut faire
L'appareil ne fonctionne pas	L'appareil est en mode de dégivrage.	C'est normal. Le compresseur ne fonctionne pas pendant environ 30 minutes en mode de dégivrage.
	L'appareil est débranché.	Poussez la fiche complètement dans la prise murale.
	L'appareil est hors tension (OFF).	Remettez l'appareil sous tension (ON). Voyez la rubrique sur la mise hors et sous tension dans la section Commande de température.
	Le disjoncteur s'est déclenché ou le fusible a grillé.	Remplacez le fusible ou réarmez le disjoncteur.
	Le disjoncteur de fuite à la terre s'est déclenché.	Réarmez le disjoncteur. Un disjoncteur de fuite à la terre n'est pas recommandé.
Vibrations ou tremblements (Des vibrations légères sont normales)	L'appareil est sur une surface irrégulière.	Ajustez le niveau des pattes comme illustré dans le chapitre « Instructions d'installation ».
Le moteur fonctionne longtemps ou s'arrête et se met en marche fréquemment	Ceci est normal lorsque l'appareil est branché pour la première fois.	Attendez 24 heures pour que l'appareil refroidisse complètement.
	Cela arrive fréquemment quand le refroidisseur est chargé avec une quantité importante de bouteilles de vin ou de boissons.	C'est normal.
	La porte est laissée ouverte.	Vérifiez toujours que la porte soit bien fermée après l'avoir ouverte. Vérifiez si une bouteille empêche la porte de fermer correctement.
	Le temps est chaud et la porte est ouverte souvent.	C'est normal.
	La commande des températures est sur le réglage le plus froid.	Attendez 24 heures pour que les températures changent.
Compartiment trop chaud	Ceci est normal lorsque l'appareil est branché pour la première fois.	Attendez 24 heures pour que l'appareil refroidisse complètement.
	Cela arrive fréquemment quand le refroidisseur est chargé avec une quantité importante de bouteilles de vin ou de boissons.	C'est normal.
	La commande des températures n'est pas sur un réglage assez froid.	Consultez le chapitre « Réglage de la commande des températures ».
	Temps chaud ou ouvertures de porte fréquentes.	Consultez le chapitre « Réglage de la commande des températures ».
	La porte est laissée ouverte.	Vérifiez toujours que la porte soit bien fermée après l'avoir ouverte. Vérifiez si une bouteille empêche la porte de fermer correctement.
L'appareil ne sent pas bon	L'intérieur doit être nettoyé.	Consultez le chapitre « Entretien et nettoyage ».
		Gardez une boîte de bicarbonate de sodium ouverte dans le refroidisseur et la remplacer tous les 3 mois.
La porte ne ferme pas correctement	Le joint d'étanchéité de la porte est collant ou replié.	Appliquez une couche mince de paraffine ou de vaseline sur le joint.
	La porte est bloquée par quelque chose à l'intérieur.	Arrangez les éléments dans l'appareil afin d'éviter ce problème.

Conseils de dépannage ...

Avant d'appeler le service de dépannage

Problèmes	Causes possibles	Ce qu'il faut faire
De l'humidité se forme sur l'extérieur de l'appareil	Ceci n'est pas inhabituel lors de temps humides.	Si cela vous ennuie, essayez la surface, autrement, l'humidité s'évaporerait en temps voulu.
	La porte est laissée ouverte.	Vérifiez toujours que la porte soit bien fermée après l'avoir ouverte.
		Vérifiez si une bouteille empêche la porte de fermer correctement.
Du givre ou de l'humidité s'accumule à l'intérieur	La porte est ouverte trop souvent ou laissée ouverte trop longtemps.	L'appareil fera disparaître l'humidité de lui-même et en temps voulu. Si cela vous ennuie, essayez la surface.
	Lors de temps humides, l'air transporte l'humidité à l'intérieur de l'appareil à chaque fois que la porte est ouverte.	L'appareil fera disparaître l'humidité de lui-même et en temps voulu. Si cela vous ennuie, essayez la surface.
	Contrôle de la température réglé sur le réglage le plus froid.	Consultez le chapitre « Réglage de la commande des températures ».
La lumière intérieure ne s'allume pas	L'appareil est débranché.	Poussez la fiche complètement dans la prise murale.
	Le disjoncteur s'est déclenché ou le fusible a grillé.	Remplacez le fusible ou réarmez le disjoncteur.
	Le disjoncteur de fuite à la terre s'est déclenché.	Réinitialiser la prise La prise GFCI n'est pas recommandée.
De l'air chaud sort du bas de l'appareil	Ceci est le flux normal d'air pour refroidir le moteur.	Lors du processus de réfrigération, il est normal que de l'air chaud soit expulsé sous l'appareil. Certains revêtements de sol sont sensibles à la chaleur et se décolorent même à ces températures normales et sécuritaires.
L'appareil ne s'arrête jamais.	Ouvertures de porte trop fréquentes ou trop longues.	Ce phénomène est normal. L'appareil s'arrêtera une fois atteinte la température désirée.
	Températures dans un environnement extrême.	Fonctionnement normal dans des températures extrêmes.

Garantie limitée des GE Appliances

GEAppliances.com

Pour les clients des États-Unis : Toutes les réparations en vertu de la garantie sont fournis par nos Centre de Service d'Usine ou par un technicien autorisé Customer Care®. Pour programmer un appel de service en ligne, consultez notre site electromenegersge.ca/fr/soutien/demande-de-service/, ou appelez le 800.561.3344. Veuillez avoir votre numéro de série et votre numéro de modèle à portée de main lorsque vous appelez pour obtenir un service.

GE et PROFILE series modèles :

Pour la période de	GE Appliances remplacera
Un an à partir de la date	Toutes pièces du refroidisseur à boissons et vin défectueux en raison d'une défectuosité matérielle ou de fabrication. Durant cette garantie limitée d'un an , GE Appliances fournira aussi, sans frais , toute la main-d'oeuvre et réparation nécessaires pour remplacer une pièce défectueuse.

Modèles de la série de PROFILE seulement :

Pour la période de	GE Appliances remplacera
Cinq ans à partir de la date d'achat d'origine	Toutes pièces du système scellé de refroidissement (le compresseur, condensateur, évaporateur et tous les tuyaux de connexion) défectueux en raison d'une défectuosité matérielle ou de fabrication. Durant cette garantie limitée de cinq ans sur le système de réfrigération scellé , GE Appliances fournira aussi, sans frais , toute la main d'œuvre et le service à domicile nécessaire pour remplacer une pièce défectueuse du système scellé de refroidissement.

Ce que GE Appliances ne couvre pas :

- Les visites à domicile pour vous montrer comment utiliser l'appareil.
- Mauvaise installation, livraison ou maintenance.
- Défaillance du produit suite à un abus, mauvaise utilisation ou utilisation à des fins autres que celles prévues ou utilisation commerciale.
- Perte de vin à cause de la détérioration.
- Remplacement des fusibles résidentiels ou réarmement des disjoncteurs.
- Dommage survenu après la livraison.
- Remplacement de l'ampoule ou de la cartouche du filtre à eau, le cas échéant.
- Dommage au produit suite à un accident, incendie, inondations ou force majeure.
- Dommages indirects ou consécutifs causés par des défauts possibles de l'appareil.
- Produit non accessible pour faire les réparations nécessaires.
- Les dommages à la finition, tels que rouille de surface, ternissement ou petites taches, non signalés dans un délai de 48 heures suivant la livraison.

EXCLUSION GARANTIES TACITES

Votre seul et unique recours est la réparation du produit suivant les modalités de la garantie limitée. Toutes les garanties tacites, y compris les garanties de valeur marchande ou d'adéquation à un usage particulier, sont limitées à une durée d'un an, ou à la durée la plus courte autorisée par la loi en vigueur.

Pour les clients des États-Unis : Cette garantie est étendue à l'acheteur d'origine et aux propriétaires suivants pour tout produit acheté pour une utilisation domestique aux États-Unis. Si le produit est installé dans une région où ne se trouve aucun réparateur autorisé GE Appliances, vous devrez peut-être assumer les frais de transport ou apporter l'appareil à un centre de service autorisé GE Appliances. En Alaska, cette garantie exclut le coût d'expédition ou de dépannage à votre domicile.

Certains états n'acceptent pas d'exclusion ou de limites aux dommages indirects consécutifs. Certains droits particuliers vous sont dévolus en vertu de la présente garantie et peuvent s'accompagner d'autres droits qui varient selon votre lieu de résidence. Pour connaître vos droits juridiques, veuillez consulter le bureau local ou le bureau d'état des affaires aux consommateurs ou le Procureur Général de votre état.

**Warrantor: GE Appliances, a Haier company
Louisville, KY 40225**

Pour les clients des Canada : Cette garantie est étendue à l'acheteur d'origine et aux propriétaires suivants pour tout produit acheté aux Canada pour une utilisation domestique aux Canada. Le service à domicile en vertu de la garantie sera fourni dans les régions où il est disponible et où Mabe estime raisonnable de le fournir.

Warrantor Canada: MC Commercial, Burlington, Ontario, L7R 5B6

Agrafez votre reçu ici. Une preuve de la date d'achat d'origine est nécessaire pour obtenir des réparations sous garantie.

Soutien au consommateur

Site Web GE Appliances

Vous avez une question ou vous avez besoin d'aide pour votre appareil électroménager? Visitez le site Web des électroménagers GE 24 heures par jour, à tout moment de l'année! Vous pouvez aussi y magasiner d'autres électroménagers de qualité GE et bénéficier de tous nos services de soutien en ligne conçus pour mieux vous servir. Au États-Unis : GEAppliances.com Au Canada : GEAppliances.ca

Enregistrez votre électroménager

Enregistrez votre nouvel électroménager en ligne dans les meilleurs délais! Un enregistrement ponctuel permettra une meilleure communication et un service rapide en vertu de votre garantie, en cas de besoin. Vous pouvez aussi poster la fiche de garantie préimprimée incluse dans l'emballage.

Au États-Unis : GEAppliances.com/register

Au États-Unis : Prodsupport.mabe.ca/crm/Products/ProductRegistration.aspx

Schedule Service

Le service de réparation expert de Électroménagers GE n'est qu'à un pas de chez vous. Connectez-vous à Internet et programmez votre appel de service à n'importe quel jour de l'année.

Au États-Unis: GEAppliances.com/service ou appeler 800.432.2737 pendant les heures d'affaires normales..

Au Canada : Electromenagersge.ca/fr/soutien/demande-de-service ou appeler 800.561.3344

Prolongation de garantie

Procurez-vous une garantie prolongée de Électroménagers GE et renseignez-vous sur les rabais spéciaux offerts pendant la durée de votre garantie. Vous pouvez en faire l'achat en ligne à tout moment. Les services Électroménagers GE seront toujours disponibles à l'expiration de votre garantie.

Au États-Unis : GEAppliances.com/extended-warranty ou appeler 800.626.2224 pendant les heures d'affaires normales.

Au Canada : Electromenagersge.ca/fr/soutien/achat-d-une-garantie-prolongee ou appeler 866.227.9842

Connectivité à distance

Pour obtenir de l'assistance concernant la connectivité au réseau sans fil (pour les modèles équipés de cette fonction), visitez notre site Web sur GEAppliances.com/ge/connected-appliances ou composez le 800.220.6899 aux États-Unis seulement.

Pièces et accessoires

Ceux qui désirent réparer eux-mêmes leurs électroménagers peuvent recevoir pièces et accessoires directement à la maison (cartes VISA, MasterCard et Discover acceptées). Commandez en ligne aujourd'hui, 24 heures par jour, toute la semaine.

Au États-Unis : Aux États-Unis : GEApplianceparts.com ou par téléphone au **877.959.8688** pendant les heures d'affaires normales.

Les directives stipulées dans le présent manuel peuvent être effectuées par n'importe quel utilisateur. Les autres réparations doivent généralement être effectuées par un technicien qualifié. Soyez prudent, car une réparation inadéquate peut affecter le fonctionnement sécuritaire de l'appareil.

Les consommateurs du Canada doivent consulter les pages jaunes pour obtenir le numéro du centre de service Mabe le plus près, visiter notre site Web au Electromenagersge.ca/fr/produits/filtres-et-accessoires, ou appeler 800.661.1616.

Contactez-nous

Si vous n'êtes pas satisfait du service reçu de Électroménagers GE, rendez-vous sur notre site Web en fournissant tous les renseignements pertinents dont votre numéro de téléphone, ou écrivez à :

In the US: General Manager, Customer Relations | GE Appliances, Appliance Park | Louisville, KY 40225
GEAppliances.com/contact

Au Canada : Directeur, Relations avec les consommateurs, Mabe Canada Inc. | Suite 310, 1 Factory Lane | Moncton, N.B. E1C 9M3 Electromenagersge.ca/fr/contactez-nous



CENTRO DE BEBIDAS Y REFRIGERADOR DE VINO

INFORMACIÓN DE SEGURIDAD 3

Uso del Electrodoméstico

Controles y Funciones: Centro de Bebidas

 Control de Temperatura 6

 Repisas ajustables 6

 Repisas Reversibles 7

 Carga 7

Controles y Funciones: Refrigerador de Vino

 Control de Temperatura 8

 Temperaturas sugeridas para almacenar y servir el vino 8

 Carga 9

 Cajones Extensibles 9

CUIDADO Y LIMPIEZA 10

INSTRUCCIONES DE INSTALACIÓN 11

CONSEJOS PARA LA SOLUCIÓN DE PROBLEMAS 14

GARANTÍA LIMITADA 19

SOPORTE PARA EL CONSUMIDOR 20

MANUAL DEL PROPIETARIO E INSTALACIÓN

PWS06D****
PVS06B****

ESPAÑOL

Anote aquí los números de serie y de modelo:

Modelo n° _____

Serie n° _____

Busque estos números en la etiqueta que se encuentra dentro del centro de bebidas y refrigerador de vino.

GRACIAS POR HACER QUE LOS ELECTRODOMÉSTICOS GE SEAN PARTE DE SU HOGAR.

Ya sea que haya crecido usando Electrodomésticos GE, o que ésta es su primera vez, nos complace tenerlo en la familia.

Sentimos orgullo por el nivel de arte, innovación y diseño de cada uno de los Electrodomésticos GE, y creemos que usted también. Entre otras cosas, el registro de su electrodoméstico asegura que podamos entregarle información importante del producto y detalles de la garantía cuando los necesite.

Registre su electrodoméstico GE ahora a través de Internet. Sitios Web y números telefónicos útiles están disponibles en la sección de Soporte para el Consumidor de este Manual del Propietario. También puede enviar una carta en la tarjeta de inscripción preimpresa que se incluye con el material embalado.



GE APPLIANCES

INFORMACIÓN IMPORTANTE DE SEGURIDAD LEA TODAS LAS INSTRUCCIONES ANTES DEL USO

ATENCIÓN CONSUMIDOR!

Este aparato está diseñado para guardar y refrigerar bebidas. No guarde alimentos perecederos en esta unidad.

⚠ ADVERTENCIA A fin de reducir el riesgo de incendio, explosión, descargas eléctricas o lesiones al usar su refrigerador, siga estas precauciones básicas de seguridad:

- Use este electrodoméstico sólo para su propósito original, como se describe en el Manual del Propietario.
- Este refrigerador se deberá instalar y ubicar adecuadamente de acuerdo con las Instrucciones de Instalación antes de ser usado.
- Desenchufe el refrigerador antes de hacer reparaciones o hacer una limpieza.
NOTA: La corriente que va al refrigerador no puede ser desconectada por ninguna configuración del panel de control.
NOTA: Las reparaciones deberán ser realizadas por un Profesional del Servicio Técnico calificado.
- Reemplace todas las piezas y paneles antes del uso.
- No guarde ni use gasolina u otros vapores inflamables y líquidos cerca de este u otros electrodomésticos.
- No guarde sustancias explosivas tales como latas de aerosoles con propelentes inflamables en este electrodoméstico.
- No use un prolongador.
- A fin de evitar riesgos de que los niños sufran asfixia o queden atrapados, retire las puertas de refrigerador y del freezer de cualquier refrigerador antes de deshacerse o dejar de usar el mismo.
- Para evitar lesiones graves o la muerte, los niños no se deberán parar sobre ni jugar en o con el electrodoméstico.
- Los niños y las personas con capacidad física, sensorial o mental reducida o con falta de experiencia y conocimiento podrán usar este electrodoméstico sólo si son supervisados o les fueron dadas instrucciones sobre un uso seguro y entienden los riesgos involucrados.
- Este electrodoméstico fue diseñado para uso hogareño y para aplicaciones similares tales como: áreas de personal de cocina en tiendas, oficinas y otros espacios laborales; casas de campo; por clientes en hoteles, moteles, hostales y otros espacios residenciales, catering y aplicaciones no minoristas similares.
- No aplique limpiadores ásperos sobre el electrodoméstico. Ciertos limpiadores dañarán el plástico, lo cual podrá hacer que ciertas piezas tales como la puerta o las manijas de las puertas se salgan de forma inesperada. Para acceder a instrucciones detalladas, lea la sección de Cuidado y Limpieza.

⚠ PRECAUCIÓN A fin de reducir el riesgo de lesiones al usar el refrigerador, siga estas precauciones básicas.

- No limpie estantes de vidrio ni tapas con agua caliente cuando estén fríos. Los estantes de vidrio y las tapas se pueden romper si son expuestos a cambios de temperatura repentinos o impactos, tales como sacudones o caídas. El vidrio templado está diseñado para destruirse en pequeñas piezas en caso de rotura.
- Mantenga los dedos fuera de los espacios de "riesgo de lastimaduras"; los despejes entre las puertas y entre las puertas y el gabinete son necesariamente pequeños. Tenga el cuidado de cerrar las puertas cuando los niños se encuentren en el área.
- Este aparato está diseñado para guardar y refrigerar bebidas. No guarde alimentos perecederos en esta unidad.

READ AND SAVE THESE INSTRUCTIONS

INFORMACIÓN IMPORTANTE DE SEGURIDAD LEA TODAS LAS INSTRUCCIONES ANTES DEL USO

INSTALLATION

⚠ ADVERTENCIA



Riesgo de Explosión

Mantenga cualquier material y vapores inflamables alejados del refrigerador. Si no se cumple con esto se podrá producir una explosión, incendio o la muerte.

⚠ ADVERTENCIA



RIESGO DE INCENDIO O EXPLOSIÓN Refrigerantes Inflamables

Este electrodoméstico cuenta con refrigerante isobutano, también conocido como R600a, un gas natural con alto nivel de compatibilidad medioambiental. Sin embargo, también es combustible. Siga las advertencias que figuran a continuación, a fin de reducir el riesgo de lesiones o daños sobre la propiedad.

1. Al mover, instalar y operar el electrodoméstico, se deberá tener cuidado de no dañar la tubería del refrigerante.
2. El servicio técnico sólo debe ser realizado por personal autorizado del servicio. Use sólo piezas del servicio autorizadas por el fabricante
3. Descarte el electrodoméstico de acuerdo con las Regulaciones Federales y Locales. El refrigerante inflamable y el material aislante inflamable usados en este producto requieren procedimientos de descarte especiales. Comuníquese con las autoridades locales para descartar su refrigerador de forma ambientalmente segura.
4. Mantenga las aberturas de ventilación, en el espacio de protección del electrodoméstico o en la estructura empotrada, libres de obstrucción.
5. Para eliminar la escarcha, raspe con una espátula o raspador de plástico o madera. No use un picahielos ni un instrumento metálico o de punta filosa, ya que esto podrá perforar el revestimiento del electrodoméstico y luego la tubería del refrigerador que se encuentra detrás.
6. No use dispositivos eléctricos dentro del compartimiento de almacenamiento del electrodoméstico.
7. No use ningún dispositivo eléctrico para descongelar su electrodoméstico.

CONEXIÓN DE LA ELECTRICIDAD

⚠ ADVERTENCIA



RIESGO DE DESCARGA ELÉCTRICA

Enchufe en un tomacorriente con conexión a tierra de 3 cables.

No elimine el cable de conexión a tierra.

No use un adaptador.

No use un prolongador.

Si no se siguen estas instrucciones se podrá producir a muerte, incendios o descargas eléctricas.

Nunca, bajo ninguna circunstancia, corte o elimine el tercer cable (tierra) del cable de corriente. Para su seguridad personal, este electrodoméstico debe estar adecuadamente conectado a tierra.

El cable de alimentación de este aparato está equipado con un enchufe de tres patas (con conexión a tierra), el cual se acopla a un tomacorriente estándar de pared de tres patas (con conexión a tierra) para minimizar la posibilidad de peligro de una descarga eléctrica de este aparato.

Haga que un electricista calificado revise el tomacorriente de pared y el circuito para cerciorarse de que el tomacorriente está conectado a tierra correctamente.

Si sólo tiene un tomacorriente estándar de pared para dos patas, es su responsabilidad y obligación reemplazarlo por un tomacorriente de pared de 3 patas conectado a tierra correctamente.

NOTA: no se recomienda utilizar GFI (interruptor de fallos de conexión a tierra).

El aparato siempre debe estar conectado en su propio tomacorriente individual que tenga la calificación de voltaje necesaria.

Esto brinda un mejor desempeño y también evita que los circuitos de la casa se sobrecarguen, lo que podría causar un riesgo de incendio por cables sobrecalentados.

Nunca desconecte su aparato tirando del cable de alimentación. Siempre agarre firmemente el enchufe y retírelo del tomacorriente.

Inmediatamente interrumpa el uso de un cable de suministro de corriente dañado. Si el cable de corriente se encuentra dañado, su reemplazo deberá ser realizado por un profesional calificado del servicio técnico, utilizando una pieza del servicio técnico autorizada por el fabricante.

Cuando mueva el aparato lejos de la pared, tenga cuidado de no voltear o dañar el cable de alimentación.

LEA Y GUARDE ESTAS INSTRUCCIONES

INFORMACIÓN IMPORTANTE DE SEGURIDAD LEA TODAS LAS INSTRUCCIONES ANTES DEL USO

FORMA ADECUADA DE DESCARTAR SU ANTIGUO REFRIGERADOR

⚠ ADVERTENCIA PELIGRO DE SUFFOCATION Y ENTRAPMENT

El incumplimiento de estas instrucciones de eliminación puede causar la muerte o lesiones graves.

IMPORTANTE: Que un niño quede atrapado o que sufra una asfixia no son problemas del pasado. Los refrigeradores antiguos o abandonados aún son peligrosos, incluso aunque se conserven por "sólo unos pocos días". Si se deshará de su antiguo refrigerador, siga las siguientes

instrucciones a fin de evitar accidentes.

Antes de descartar su antiguo aparato:

- Retire las puerta.
- Deje los estantes en su lugar de modo que los niños no puedan trepar dentro con facilidad.

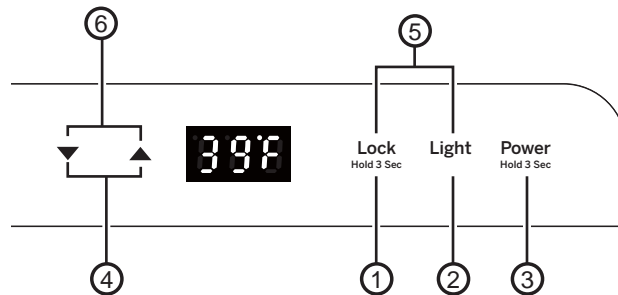
Cómo Eliminar Refrigerantes y Gomaespumas:

Descarte el electrodoméstico de acuerdo con las Regulaciones Federales y Locales. El refrigerante inflamable y el material aislante inflamable usados requieren procedimientos de descarte especiales. Comuníquese con las autoridades locales para descartar su electrodoméstico de forma ambientalmente segura.

LEA Y GUARDE ESTAS INSTRUCCIONES

Controles y funciones - Centro de bebidas

Control de Temperatura



El rango de temperatura en el cual funciona el Centro de Bebidas es de entre 38°F (3°C) y 61°F (16°C).

Este producto fue diseñado para guardar y enfriar bebidas y/o vinos. No fue diseñado para guardar comidas percederas.

Al igual que con cualquier producto refrigerable, existe una leve variación de temperatura en diferentes ubicaciones dentro del gabinete.

No instale el centro de bebidas en lugares donde la temperatura sea inferior a los 55°F (13°C) o superior a 90°F (32°C).

1. Bloqueo/ Desbloqueo del Panel de Control: A fin de modificar cualquier configuración, será necesario desbloquear el panel de control. Si el panel de control se encuentra bloqueado, en la pantalla parpadeará **Loc** (Bloqueo) durante 4 segundos cuando se presione una tecla, y la función de dicha tecla será ignorada.

Mantenga presionada la tecla **Lock** (Bloquear) durante 3 segundos para bloquear/ desbloquear el panel de control.

2. Luz Interna: Para encender/ apagar la luz interna, simplemente presione **Light** (Luz). En la pantalla parpadeará **ON** (Encendida) u **Off** (Apagada) en este proceso.

Cuando la configuración de la luz está en **ON** (Encendida), la luz interna estará siempre encendida.

Cuando la configuración de la luz esté en **OFF** (Apagada), la luz interna se encenderá cuando se abra la puerta, y se apagará cuando se cierre la puerta.

Alarma de la Puerta: Si la puerta se deja abierta por más de 2 minutos, la alarma de la misma sonará hasta que la puerta sea cerrada.

La alarma de la puerta se podrá apagar manteniendo presionada la función **Light** (Luz) durante 10 segundos.

3. Corriente: Mantenga presionada la tecla **Power** (Encendido) durante 3 segundos para encender o apagar el centro de bebidas.

4. UP (Arriba) y DOWN (Abajo) para Cambiar la Configuración de Temperatura: Presione la tecla **DOWN** (Abajo) o la tecla **UP** (Arriba) una vez para ingresar el modo de cambio de configuración de temperatura. En la pantalla comenzará a parpadear la configuración de temperatura actual.

Presione la tecla **DOWN** (Abajo) o **UP** (Arriba) nuevamente para reducir o incrementar la temperatura deseada por incrementos de un grado.

Si no se presiona ninguna tecla en 3 segundos, la pantalla dejará de parpadear y su cambio será aceptado de forma automática.

Cuando se cambie la configuración de temperatura, espere 24 horas hasta que la unidad se estabilice.

5. Sabbath Mode (Modo Sabático): Mantenga presionadas las teclas **Lock** (Bloqueo) y **Light** (Luz) de forma simultánea durante 5 segundos para entrar o salir de Sabbath Mode (Modo Sabático). La pantalla exhibirá **SAB** (Sabático) cuando se encuentre en dicho modo.

6. Fahrenheit y Celsius: Mantenga presionadas las teclas **DOWN** (Abajo) y **UP** (Arriba) de forma simultánea durante 3 segundos para cambiar en las pantallas de temperatura entre Fahrenheit y Celsius.

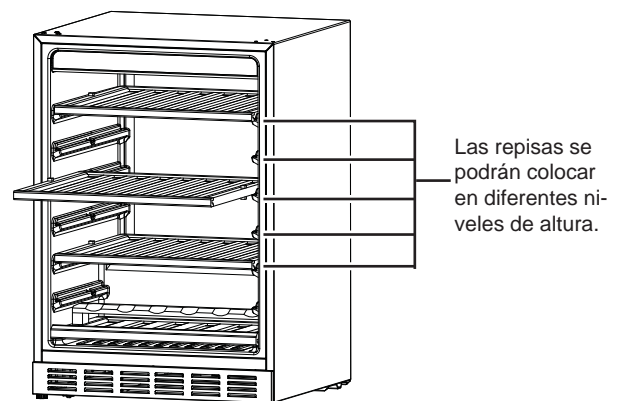
Repisas Ajustables

El centro de bebidas cuenta con repisas extraíbles y ajustables.

Las tres repisas superiores son ajustables. Las repisas se podrán ubicar en diferentes niveles de altura para una configuración versátil del almacenamiento o para guardar ítems más grandes.

Para retirar una repisa, abra la puerta completamente para evitar posibles daños sobre la misma. Levante levemente y empuje la repisa hacia adelante. La repisa podrá calzar de forma ajustada en el riel.

Para reemplazar una repisa, abra la puerta completamente para evitar posibles daños sobre la misma. Deslice la repisa sobre los rieles en los costados del gabinete hasta que se detenga.



Controles y funciones - Centro de bebidas

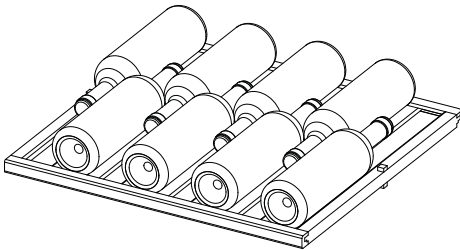
Repisas Reversibles

El centro de bebidas cuenta con repisas reversibles, con un estante de madera de un lado y de vidrio templado del otro lado.

Carga de Botellas de Vino en las Tres Repisas Superiores

Coloque las repisas con estantes de madera en la parte superior para cargar las botellas de vino.

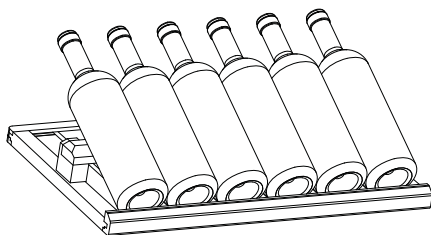
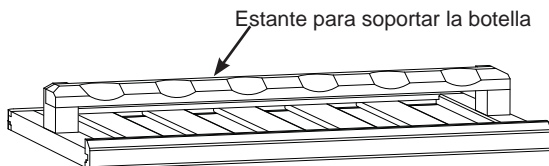
Las tres repisas superiores permiten colocar dos botellas hasta llegar a la parte más profunda, con los cuellos de las botellas alternando entre sus partes frontal y trasera.



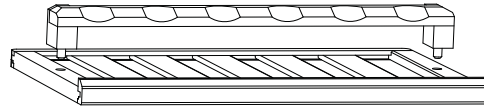
Tres Estantes Superiores

Carga de Botellas de Vino en la Repisa Inferior

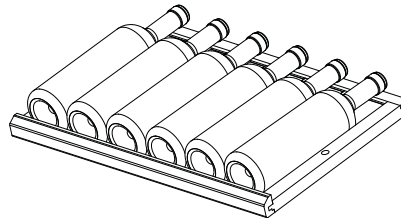
La repisa inferior cuenta con un estante de soporte de botellas de vino. El estante de soporte permite que las botellas de vino queden exhibidas en un ángulo. El estante de soporte cuenta con capacidad para 6 botellas.



El estante de soporte es extraíble. A fin de retirar el estante de soporte, sostenga tanto el lado izquierdo como el derecho del mismo y empuje hacia arriba. Guarde el estante de soporte para un uso futuro.



Una vez retirado el estante de soporte, la repisa inferior se volverá reversible al igual que las tres repisas superiores.

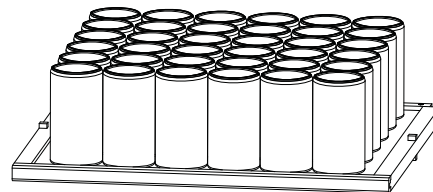


La repisa inferior cuenta con capacidad para seis botellas. Las botellas altas no se deberán cargar en el cajón inferior, ya que podrán impedir el cierre de la puerta.

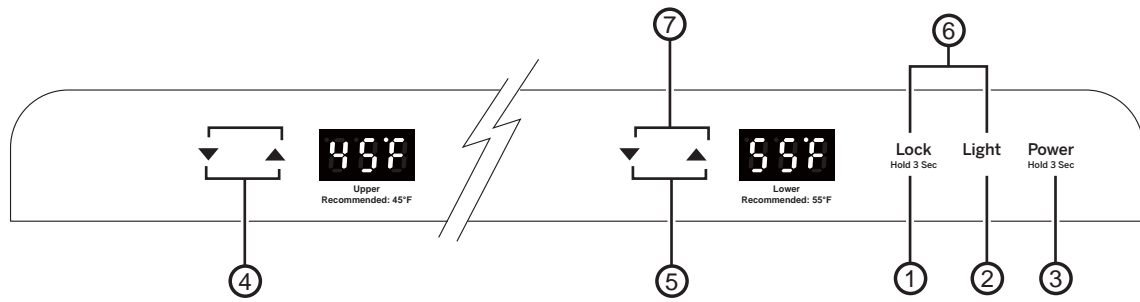
Carga de Latas de Bebida

Coloque las repisas de vidrio templado en la parte superior para cargar las latas de bebida.

NOTA: Retire el estante de soporte de botellas de vino de la repisa inferior antes de invertir la repisa.



Controles y funciones - Refrigerador de vino



Control de Temperatura

El refrigerador de vino cuenta con dos zonas.

El rango de funcionamiento de la zona superior es de entre 43°F (7°C) y 55°F (13°C).

El rango de funcionamiento de la zona inferior es de entre 55°F (13°C) y 62°F (17°C).

La configuración recomendada para la zona superior es de 45°F (7°C) y para la zona inferior es de 55°F (13°C). Esta recomendación permite almacenar de forma fácil vinos blancos en el área superior y vinos tintos en el área inferior.

Este producto fue diseñado para guardar y enfriar vino. No fue diseñado para guardar comidas perecederas.

Al igual que con cualquier producto refrigerable, existe una leve variación de temperatura en diferentes ubicaciones dentro de cada zona.

No instale el refrigerador de vino en lugares donde la temperatura sea inferior a los 55°F (13°C) o superior a los 90°F (32°C).

- 1. Bloqueo/ Desbloqueo del Panel de Control:** A fin de modificar cualquier configuración, será necesario desbloquear el panel de control. Si el panel de control se encuentra bloqueado, en la pantalla parpadeará **Loc** (Bloqueo) durante 4 segundos cuando se presione una tecla, y la función de dicha tecla será ignorada.

Mantenga presionada la tecla Lock (Bloquear) durante 3 segundos para bloquear/ desbloquear el panel de control.
- 2. Luz Interna:** Para encender/ apagar la luz interna, simplemente presione **Light** (Luz). La pantalla exhibirá **ON** (Encendido) u **Off** (Apagado) en este proceso.

Cuando la configuración de la luz se encuentre en **ON** (Encendida), la luz interna estará siempre encendida.

Cuando la configuración de la luz se encuentre en **OFF** (Apagada), la luz interna se encenderá cuando se abra la puerta, y se apagará cuando se cierre la puerta.

Alarma de la Puerta: Si la puerta se deja abierta por más de 2 minutos, la alarma de la misma sonará hasta que la puerta sea cerrada.

La alarma de la puerta se podrá apagar manteniendo presionada la función **Light (Luz)** durante 10 segundos.

- 3. Corriente:** Mantenga presionada la tecla **Power** (Encendido) Durante 3 segundos para encender o apagar el centro de bebidas.
- 4. UP (Arriba) y DOWN (Abajo) para Cambiar la Configuración de Temperatura de la Zona Superior:** Presione la tecla **DOWN** (Abajo) o la tecla **UP** (Arriba) una vez para ingresar el modo de cambio de configuración de temperatura. La pantalla de la zona superior comenzará a parpadear la configuración de temperatura actual.

Presione la tecla **DOWN** (Abajo) o **UP** (Arriba) nuevamente para reducir o incrementar la temperatura deseada por incrementos de un grado.
- 5. UP (Arriba) y DOWN (Abajo) para Cambiar la Configuración de Temperatura de la Zona Inferior:** Presione la tecla **DOWN** (Abajo) o la tecla **UP** (Arriba), en el área de la pantalla inferior, una vez para ingresar el modo de cambio de configuración de temperatura. La pantalla de la zona inferior comenzará a parpadear la configuración de temperatura actual.

Presione la tecla **DOWN** (Abajo) o **UP** (Arriba) nuevamente para reducir o incrementar la temperatura deseada por incrementos de un grado.

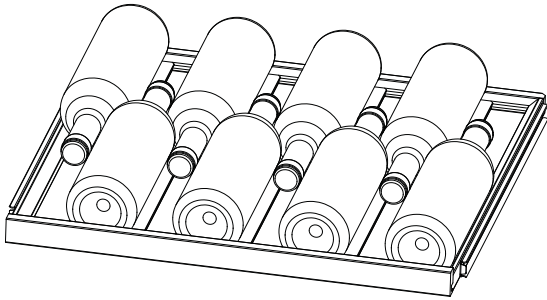
Si no se presiona ninguna tecla en 3 segundos, la pantalla dejará de parpadear y su cambio será aceptado de forma automática.

Cuando se cambie la configuración de temperatura, espere 24 horas hasta que la unidad se estabilice.
- 6. Sabbath Mode (Modo Sabático):** Mantenga presionadas las teclas **Lock** (Bloqueo) y **Light** (Luz) de forma simultánea durante 5 segundos para entrar o salir del modo Sabático. La pantalla exhibirá **SAb** (Sabático) cuando se encuentre en dicho modo.
- 7. Fahrenheit y Celsius:** Mantenga presionadas las teclas **DOWN** (Abajo) y **UP** (Arriba) de forma simultánea durante 3 segundos para cambiar entre las pantallas de temperatura en Fahrenheit y Celsius.

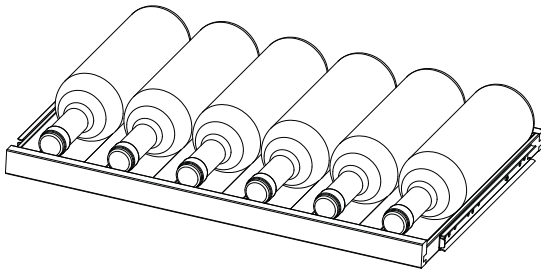
Controles y funciones - Refrigerador de vino

Carga de Botellas de Vino

Los tres cajones extensibles de la zona superior y el cajón extensible superior de la zona inferior cuentan cada uno con capacidad para ocho botellas, dos en la parte más profunda con los cuellos alternando entre la parte frontal y trasera.



Los dos cajones extensibles inferiores de la zona inferior cuentan con capacidad para seis botellas. Las botellas altas no se deberán cargar en el cajón inferior, ya que podrán impedir el cierre de la puerta.



Cajones Extensibles

Todos los cajones extensibles sobresalen de modo que las botellas se puedan agregar o retirar de modo conveniente.

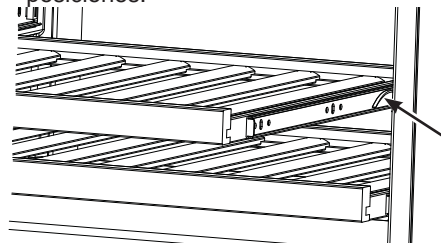
Cualquiera de los cajones extensibles se podrá retirar a fin de guardar botellas más grandes.

Para retirar:

1. Empuje el cajón extensible hacia afuera hasta la posición STOP (Detención).
2. Empuje la lengüeta de la guía del cajón derecho hacia abajo, mientras empuja la lengüeta de la guía izquierda hacia arriba, y empuje el cajón hacia afuera.

Para reemplazar:

1. Vuelva a insertar los laterales del cajón sobre las guías.
2. Empuje hasta que las lengüetas se bloqueen en sus posiciones.



NOTA: Asegúrese de que las lengüetas de las guías del cajón extensible estén completamente adheridas antes de cargar las botellas. Empuje los cajones hacia afuera completamente hasta la posición STOP (Detención) y empuje hacia atrás varias veces para asegurarse de que las lengüetas de bloqueo estén correctamente adheridas.

Cuidado y limpieza

Limpieza del exterior

⚠ ADVERTENCIA



RIESGO DE DESCARGA ELÉCTRICA

Desconecte el centro de bebidas o el refrigerador de vino antes de la limpieza.

Instrucciones para la Limpieza de Superficies Exteriores, Manijas de Puertas y Bordes

USE	NO USE
Telas suaves y limpias o esponjas	Telas abrasivas, esponjas de fregar, almohadillas de estropajo o de lana de acero
<p>Detergente suave mezclado con agua caliente</p> <p>Limpiadores de acero inoxidable aprobados. Visite la tienda de piezas de GE Appliances para acceder a limpiadores de acero inoxidable aprobados: GEApplianceparts.com o comuníquese al 877.959.8688</p> <p>Los limpiadores con ácido oxálico tales como Bar Keepers Friend Soft Cleanser™ podrán ser usados para eliminar el óxido, deslustres y pequeñas manchas de las superficies de acero inoxidable únicamente.</p>	<p>Polvos o rociadores abrasivos</p> <p>Rociadores de Ventana o Amoníaco</p> <p>Limpiadores a base de cítrico o aceite vegetal</p> <p>Limpiadores ácidos o a base de vinagre</p> <p>Limpiadores de horno</p> <p>Limpiadores que contengan acetona (propanona)</p> <p>Cualquier limpiador con ADVERTENCIAS sobre el contacto con el plástico</p>

NOTA: NO permita que el limpiador de acero inoxidable entre en contacto con cualquier parte plástica tal como partes de bordes, materiales de manijas y cobertores. Si se produce un contacto no intencional de los limpiadores con las partes plásticas, limpie estas últimas con una esponja y un detergente suave mezclado con agua caliente.

Limpieza interior

⚠ ADVERTENCIA



RIESGO DE

DESCARGA ELÉCTRICA Desconecte el centro de bebidas o el refrigerador de vino antes de la limpieza.

La junta de la puerta de vinilo puede limpiarse con un detergente suave y agua o con una solución de bicarbonato de soda. Enjuagar abundantemente.

Tras limpiar la junta de la puerta, aplique una delgada capa de cera de parafina o vaselina en la junta de la puerta en la parte de la bisagra. De esta forma se evita que la junta se pegue y se combe, perdiendo su forma.

Al limpiar luces o controles utilice un paño ligeramente humedecido o una esponja.

Utilice agua templada y una solución de bicarbonato de soda. Relación: 1 cucharada de bicarbonato de soda (15 ml) por cada litro de agua. Esto limpia y neutraliza los olores. Enjuagar abundantemente y secar.

El resto de partes de la unidad de centro de bebidas o del refrigerador de vino - (incluidos los cajones de extensión completa y los estantes de cristal) pueden limpiarse de la misma forma.

No utilice detergentes, limpiador en polvo, limpiadores en spray ni otros productos químicos abrasivos para limpiar el interior.

⚠ PRECAUCIÓN

No limpie estantes de vidrio con agua caliente cuando estén fríos. Los estantes de vidrio se pueden romper si son expuestos a cambios de temperatura repentinos o impactos tales como sacudones o caídas. El vidrio templado está diseñado para destruirse en pequeñas piezas en caso de rotura.

Descongelación Automática

⚠ ADVERTENCIA

Riesgo de incendio o

Explosión. Se usó un Refrigerante Inflamable.

Este producto se descongela de forma automática.

No use un picahielos ni un instrumento metálico o de punta filosa para acelerar el proceso de descongelación, ya que éste podrá perforar el revestimiento del electrodoméstico y luego la tubería inflamable del refrigerador que se encuentra detrás.

No use ningún dispositivo eléctrico para descongelar su electrodoméstico.

NOTA: La bandeja de desagüe que se encuentra sobre el compresor podrá quedar completamente llena luego de la descongelación. Realice un control para asegurar que no haya derrames de agua al mover la unidad.

En caso de un fallo de energía

Si se produce un fallo de energía, abra la puerta con la menor frecuencia posible para mantener la temperatura.

Instrucciones de instalación

Centro de bebidas y Refrigerador de vino

¿Tiene preguntas? Llame al 800.GE.CARES (800.432.2737) o visite nuestra página web: GEAppliances.com

ANTES DE EMPEZAR

Lea estas instrucciones en su totalidad y con atención.

- **IMPORTANTE** — guarde estas instrucciones para el uso del inspector local.
- **IMPORTANTE** — tenga en cuenta todos los códigos y normas regentes.
- **Nota al instalador:** no olvide dejar estas instrucciones al consumidor.
- **Nota al consumidor:** conserve estas instrucciones para futura referencia.
- **⚠ADVERTENCIA** este dispositivo debe conectarse a tierra correctamente. Consulte la sección "Conexión a tierra del centro de bebidas y del refrigerador de vino".
- Si ha recibido un centro de bebidas o refrigerador de vino dañado, debe ponerse en contacto inmediatamente con su distribuidor.
- Nivel de experiencia: la instalación requiere capacidades mecánicas básicas. La instalación correcta es responsabilidad del instalador. El fallo en el producto debido a una instalación incorrecta

BALANCEO DE LA PUERTA

El giro de la puerta de este producto no es reversible.

HERRAMIENTAS REQUERIDAS

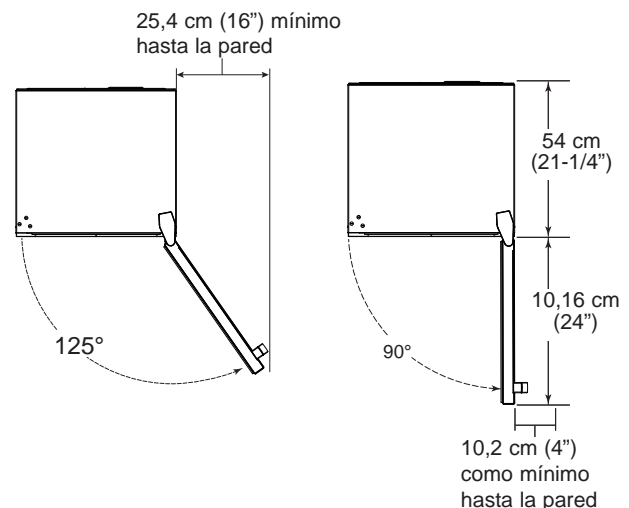
- Destornillador Phillips nº 2
- Llave de tuercas hexagonal de 10 mm

TOLERANCIAS DEL PRODUCTO

El centro de bebidas y el refrigerador de vino están configurados de fábrica para un recorrido de puerta de 125°.

Cuando se instale en una esquina:

- Deje 10,2 cm (4") de espacio mínimo en el lado de la bisagra para el recorrido de 90° de la puerta y para permitir que los bastidores puedan deslizarse.
- Deje 40,64 cm (16") de espacio mínimo para un recorrido de puerta de 125°.



Elija la ubicación:

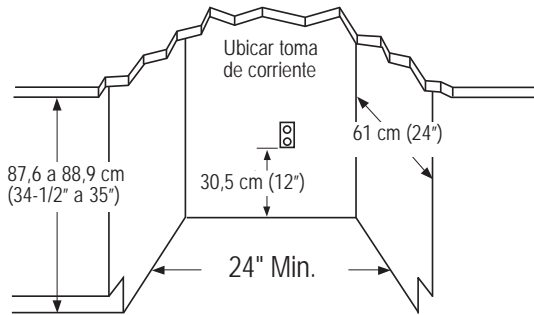
- Estos productos pueden permanecer cerrados por su parte superior y tres laterales siempre que el frente no esté obstruido para la circulación de aire y un correcto acceso a la puerta.
- No instale el refrigerador donde las temperaturas sean inferiores a 55°F (13°C), ya que no se mantendrá en funcionamiento el tiempo suficiente para conservar las temperaturas adecuadas.
- No instale el refrigerador donde la temperatura sea superior a los 90°F (32°C), ya que no funcionará de forma correcta.
- No instale el refrigerador en una ubicación expuesta al agua (lluvia, etc.) o en contacto directo con la luz solar.
- Estos productos no están diseñados para apilarse.

Instrucciones de instalación

EL ESPACIO DE INSTALACIÓN

El centro de bebidas y el refrigerador de vino puede situarse por sí mismo o encastrarse utilizando las dimensiones de sección siguientes.

La profundidad de sección debe ser de 61 cm (24")



Dimensiones del producto:

Altura: 85,72 cm (33-3/4")

Ancho: 59,44 cm (23-2/5")

Profundidad: 59,1 cm (23-1/4")

Dimensiones de sección:

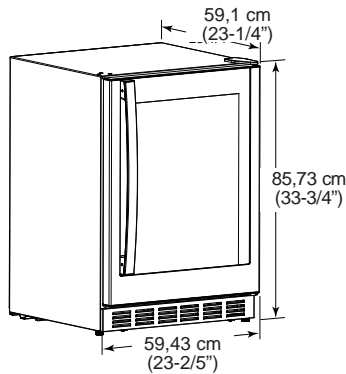
Altura: 85,72 cm (33-3/4")

mínimo

Ancho: 61 cm (24") mínimo

Profundidad: 61 cm (24")

mínimo



Las dimensiones de sección mostradas permiten un recorrido de puerta completo y acceso a los bastidores de extracción cuando se instala en un gabinete estándar de 61 cm (24") de profundidad.

- La puerta debe sobresalir 3,81 cm (1-1/2") fuera de los gabinetes circundantes.
- Si se instala entre gabinetes sin marco, puede que sea necesario un panel lateral o una franja de relleno de 1,3 cm (1/2") de ancho en la parte de la bisagra. La franja de relleno actuará como espaciador entre la caja y el recorrido de la puerta del gabinete adyacente. El ancho de la apertura debe incluir los paneles de relleno. **NOTA:** la puerta debe sobresalir 3,81 cm (1-1/2") con respecto a los gabinetes circundantes.
- El centro de bebidas y el refrigerador de vino pueden instalarse de forma independiente.

Especificaciones adicionales

- Es necesaria una fuente de alimentación de 120 voltios 60Hz., de 15 o 20 amperios. Se recomienda un circuito ramificado correctamente conectado a tierra o un interruptor automático. Instale un receptáculo eléctrico con tres tomas correctamente conectada a tierra en la pared tal y como se muestra. La conexión eléctrica debe estar situada en la pared posterior, como se indica.

NOTA: no se recomienda utilizar GFI (interruptor de fallos de conexión a tierra).

CONEXIÓN A TIERRA DEL CENTRO DE BEBIDAS Y DEL REFRIGERADOR DE VINO

⚠ ADVERTENCIA



RIESGO DE

DESCARGA ELÉCTRICA por seguridad personal, este aparato debe conectarse a tierra correctamente.

El cable de alimentación de este aparato está equipado con un enchufe de tres bornes (de conexión a tierra) que encaja con una toma de corriente para tres bornes (de conexión a tierra) para minimizar la posibilidad de riesgos de descarga eléctrica desde este aparato.

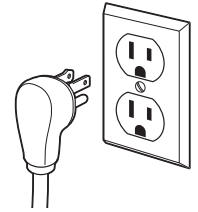
Pida a un electricista calificado que compruebe la toma de corriente y el circuito para asegurarse de que la toma está correctamente conectada a tierra.

En los casos en los que disponga de una toma de corriente de 2 bornes, es pura y exclusiva responsabilidad y obligación suya reemplazarla por una de 3 bornes correctamente conectada a tierra.

BAJO NINGUNA CIRCUNSTANCIA CORTE NI QUITE EL TERCER BORNE (DE CONEXIÓN A TIERRA) DEL CABLE DE ALIMENTACIÓN.

NO UTILICE UN ADAPTADOR PARA CONECTAR EL APARATO A UNA TOMA DE CORRIENTE DE DOS BORNES.

NO UTILICE UN EXTENSOR DE CABLE CON ESTE APARATO.



1 QUITAR EL EMBALAJE

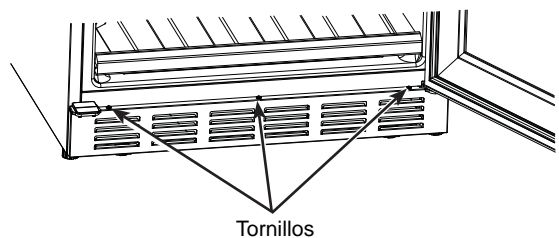
- Quite todo el material de embalaje, cinta adhesiva y cubiertas de plástico de protección.

⚠ ADVERTENCIA

Los objetos pequeños pueden constituir un riesgo de ahogo para los niños. Quite y deseché cualquier pieza que no vaya a utilizar.

2 RETIRE LA ALMOHADILLA DE GOMA Y EL SOPORTE DE EMBALAJE

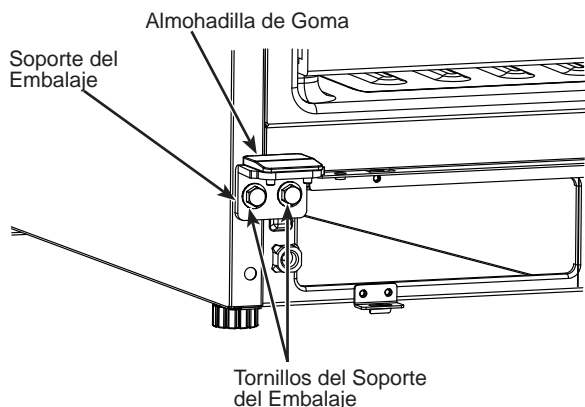
- Retire el Zócalo retirando los 3 tornillos.



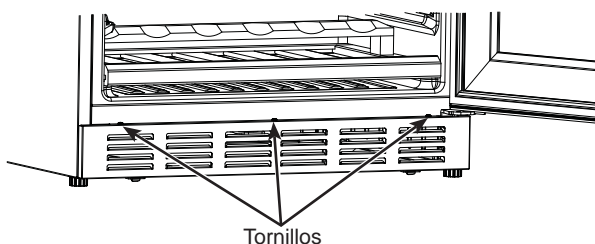
Tornillos

2 RETIRE LA ALMOHADILLA DE GOMA Y EL SOPORTE DE EMBALAJE (Cont.)

- Retire los 2 tornillos, el soporte de embalaje, la almohadilla de goma y descarte los mismos.



- Reinstale el Zócalo con los 3 tornillos.



3 CONECTAR LA ALIMENTACIÓN

- Conecte el cable de alimentación a un receptáculo correctamente conectado a tierra.
- Asegúrese de que la alimentación esté activada abriendo la puerta para ver si la luz interior se enciende.

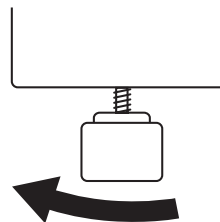
4 DESLIZAR EL PRODUCTO HACIA EL HUECO

- Deslice con cuidado la unidad hacia la apertura. Tenga la precaución de no enredarse con el cable.
- Asegúrese de que la puerta sobresale 2,5 cm (1") por delante de los muebles adyacentes.

5 NIVELAR

Las patas ajustables de las esquinas frontales del centro de bebidas y del refrigerador de vino se deberán configurar de modo que el centro de bebidas/ refrigerador de vino quede posicionado de manera firme sobre el piso, con una inclinación de 1/8" hacia la parte trasera, a fin de ayudar en el cierre de la puerta.

Para ajustar las patas niveladoras, gire las patas en dirección antihoraria para elevar el centro de bebidas/ refrigerador de vino, y en dirección horaria para bajarlas.



Para levantar el electrodoméstico

6 DEFINIR CONTROLES DE TEMPERATURA

- Los controles de temperatura están predefinidos. Consulte la sección Control de temperatura para obtener más información. Espere 24 horas hasta que la temperatura se estabilice.

Sonidos de funcionamiento normales

Los nuevos aparatos suenan de modo diferente a los aparatos antiguos. Los aparatos modernos tienen más funciones y utilizan una tecnología más moderna.

HUMMM... WHOOSH...

- El nuevo compresor de alta eficacia puede funcionar a mayor velocidad y durante más tiempo que su antiguo aparato, y podría escuchar un zumbido de tono alto o un sonido de vibración mientras está en funcionamiento.
- A veces el aparato funciona durante un período extendido, especialmente cuando las puertas se abren con frecuencia.
- Podría oír un ruido de presión cuando la puerta se cierra. Esto se debe a la ecualización de la presión dentro del aparato.



- A altas velocidades podría escuchar las aspas del ventilador moviéndose. Esto se produce cuando se conecta la unidad por primera vez, cuando las puertas se abren frecuentemente o al agregar una numerosa cantidad de bebidas. Los ventiladores ayudan a mantener las temperaturas deseadas.
- Si la puerta está abierta durante 3 minutos, podría oír que se activan los ventiladores para refrigerar el aparato.

CLIC, POP, CRACK y CHIRP

- Podría oír estos sonidos al conectar por primera vez el aparato. Esto se produce mientras el aparato se refrigera hasta alcanzar la temperatura correcta.
- La expansión y contracción de bobinas de refrigeración durante y después del descongelado puede provocar también estos sonidos.

SONIDOS DE AGUA

- El flujo de refrigerante a través de las bobinas de refrigeración del aparato podría emitir un sonido de borboteo como agua hirviendo.
- Cerrar la puerta podría provocar un sonido de borboteo debido a la ecualización de la presión.

Problema	Causas posibles	Qué hacer
El aparato no funciona	Puede que el aparato esté en el ciclo de descongelado.	Esto es normal. El motor no funciona durante unos 30 minutos cuando está en el ciclo de descongelado.
	El aparato está desconectado.	Inserte el enchufe por completo en la toma de corriente.
	El electrodoméstico está apagado.	Vuelva a encender el electrodoméstico. Consulte sobre "Encendido" en la sección del Control de Temperatura.
	El interruptor de circuito está desconectado o el fusible está fundido.	Cambie el fusible o restaure el interruptor.
	La toma de corriente GFI está desconectada.	Restaurar la toma de corriente. No se recomienda una toma de corriente GFI.
Vibración o traqueteo (una ligera vibración es normal)	La unidad se encuentra en una superficie desnivelada.	Ajuste las patas de nivelado tal y como se muestra en la sección Instrucciones de instalación.
El motor funciona durante largos periodos o se enciende y apaga frecuentemente	Es normal cuando la unidad se conecta por primera vez.	Espere 24 horas hasta que la unidad se refrigere por completo.
	Se produce a menudo cuando se colocan grandes cantidades de vino o bebidas en el aparato.	Esto es normal.
	Se ha dejado la puerta abierta.	Asegúrese siempre de no dejar la puerta abierta. Compruebe si una botella está impidiendo que se cierre la puerta.
	Temperatura ambiente demasiado alta o se abre la puerta con frecuencia.	Esto es normal.
	Control de temperatura definido en el ajuste más frío.	Espere 24 horas hasta que la temperatura cambie.
Compartimiento demasiado caliente	Esto es normal cuando la unidad se conecta por primera vez.	Espere 24 horas hasta que la unidad se refrigere por completo.
	Se produce a menudo cuando se colocan grandes cantidades de vinos o bebidas en la unidad.	Esto es normal.
	Control de temperatura no definido en un nivel de suficiente frío.	Consulte la sección Control de temperatura.
	Clima cálido o se abre la puerta con frecuencia.	Consulte la sección Control de temperatura.
	Se ha dejado la puerta abierta.	Asegúrese siempre de no dejar la puerta abierta. Compruebe si alguna botella está impidiendo que se cierre la puerta.
Olor en el aparato	El interior necesita limpieza.	Consulte la sección Cuidado y limpieza.
		Deje abierta una caja de bicarbonato de soda en la unidad; sustitúyala cada 3 meses.
La puerta no se cierra correctamente	La junta de la puerta está pegajosa o se está doblando.	Aplique cera de parafina o vaselina sobre la cara de la junta.
	La puerta está golpeando contra algún objeto en el interior del aparato.	Acomode los objetos para que se pueda cerrar la puerta.

Consejos para la Solución de Problemas... Antes de solicitar el servicio técnico

Problema	Causas posibles	What To Do
Se crea humedad en el exterior del aparato	No es extraño durante periodos de alta humedad.	Si es molesto, seque la superficie; en caso contrario la humedad se evaporará al cabo de un tiempo.
	Se ha dejado la puerta abierta.	Asegúrese siempre de no dejar la puerta abierta. Compruebe si alguna botella está impidiendo que se cierre la puerta.
Se crea escarcha o humedad en el interior	Se abre la puerta con demasiada frecuencia o durante tiempos prolongados.	La unidad evaporará la humedad a su debido tiempo. Si es molesto, seque la superficie.
	En climas húmedos, el aire lleva humedad a la unidad cuando la puerta está abierta.	La unidad evaporará la humedad a su debido tiempo. Si es molesto, seque la superficie.
	Control de temperatura definido en el ajuste más frío.	Consulte la sección Control de temperatura.
La luz interior no funciona	El aparato está desconectado.	Inserte el enchufe por completo en la toma de corriente.
	El interruptor de circuito está desconectado o el fusible está fundido.	Cambie el fusible o restaure el interruptor.
	Es necesario sustituir la bombilla.	Consulte la sección Cuidado y limpieza.
	La salida GFI está desconectada.	Restaure la toma de corriente.No se recomienda una toma de corriente GFI.
Aire caliente desde la parte inferior de la unidad	Motor de refrigeración con flujo de aire normal.	En el proceso de refrigeración, es normal que el calor se libere desde el área baja del aparato. Algunos revestimientos de piso son demasiado sensibles y pierden el color al estar cerca de estas temperaturas normales y seguras.
El electrodoméstico nunca se apaga.	Se abre la puerta de forma muy frecuente o por períodos demasiado largos.	Esto es normal. El electrodoméstico realizará el ciclo de apagado una vez que alcance la temperatura deseada.
	Temperaturas ambientales extremas	El funcionamiento es normal en temperaturas extremas.

Garantía Limitada GE Appliances

GARANTÍA LIMITADA

GEAppliances.com

Todos los servicios de garantía los proporcionan nuestros Centros de Reparación de Fábrica o nuestros técnicos Customer Care® autorizados. Para concertar una cita de reparación, en línea, 24 horas al día, visite nos al GEAppliances.com, o llame al 800.GE.CARES (800.432.2737). Cuando llame para solicitar servicio, por favor tenga a mano el número de serie y el número de modelo.

GE Y MODELOS DE LA SERIE PROFILE :

Por el período de:	GE Appliances reemplazará:
Un año A partir de la fecha de la compra original	Cualquier parte del centro de bebidas o refrigerador de vino que falle debido a defectos en los materiales o en la fabricación. Durante esta garantía limitada de un año , GE Appliances también proporcionará , sin costo alguno, toda la mano de obra y el servicio relacionado - para reemplazar partes defectuosas.

PERFIL DE MODELOS DE LA SERIE SOLO :

Por el período de:	GE Appliances reemplazará:
Five years A partir de la fecha de la compra original	Cualquier parte del sistema sellado de refrigeración (compresor, condensador, evaporador y tuberías de conexión) que fallen debido a defectos en los materiales o fabricación. Durante esta garantía limitada de cinco años del sistema sellado de refrigeración , GE Appliances también proporcionará, sin costo alguno , toda la mano de obra y el servicio relacionado para reemplazar partes defectuosas del sistema sellado de refrigeración.

Lo que GE Appliances no cubrirá:

- Viajes de servicio a su hogar para enseñarle cómo usar el producto.
- Instalación o entrega inapropiada, o mantenimiento impropio.
- Fallas del producto si hay abuso, mal uso, o uso para otros propósitos que los propuestos, o uso para fines comerciales.
- Pérdida del vino por averías.
- Causar daños después de la entrega.
- Reemplazo de fusibles de su hogar o reajuste de interruptores de circuito.
- Reemplazo de las bombillas, si incluidos, o los filtros de agua, si incluidos.
- Daño al producto causado por accidente, fuego, inundaciones o actos de Dios.
- Daño incidental o consecuencial causado por posibles defectos con el aparato.
- Producto no accesible para facilitar el servicio requerido.
- Daños sobre el acabado, tales como óxido sobre la superficie, deslustres o manchas pequeñas no informadas dentro de las 48 horas luego de la entrega.

EXCLUSIÓN DE GARANTÍAS IMPLÍCITAS

Su único y exclusivo derecho es la reparación del producto, y tal como se indica en esta Garantía limitada. Cualquier garantía implícita, incluyendo las garantías implícitas de comerciabilidad o adecuación para un fin determinado, están limitadas a un año o el período de tiempo más breve permitido por la ley.

Para los clientes de EE.UU. Esta garantía se extiende al comprador original y a cualquier dueño subsiguiente de productos comprados para uso hogareño dentro de EE.UU. Si el producto está en un área donde no se encuentra disponible un Proveedor Autorizado del Servicio Técnico de GE, usted será responsable por el costo de un viaje o se podrá requerir que traiga el producto a una ubicación del Servicio Técnico de GE Autorizado para recibir el servicio. En Alaska, la garantía excluye el costo de envío o llamadas del servicio a su hogar.

Algunos estados no permiten la exclusión o limitación de daños fortuitos o consecuentes. Esta garantía le da derechos legales específicos y es posible que tenga otros derechos legales que varían entre un estado y otro. Para conocer cuáles son sus derechos legales, consulte a la oficina de asuntos del consumidor local o estatal o al Fiscal de su estado.

Garante: GE Appliances, a Haier company
Louisville, KY 40225

Para los clientes de Canadá : Esta garantía se extiende al comprador original y cualquier comprador posterior de productos comprados en Canadá para uso residencial dentro de Canadá. El servicio a domicilio warrant será proporcionado en las áreas donde está disponible y que se considere razonable por Mabe para ofrecer.

Warrantor Canada: MC Commercial, Burlington, Ontario, L7R 5B6

Abroche su recibo aquí. Para acceder al servicio técnico de acuerdo con la garantía deberá contar con la prueba de la fecha original de compra.

Soporte para el Consumidor

Sitio Web de GE Appliances

¿Desea realizar una consulta o necesita ayuda con su electrodoméstico? ¡Intente a través del Sitio Web de Electrodomésticos de GE las 24 horas del día, cualquier día del año! Usted también puede comprar más GE Appliances maravillosos y aprovechar todos nuestros servicios de soporte a través de Internet, diseñados para su conveniencia. En EE.UU.: GEAppliances.com

Registre su Electrodoméstico

¡Registre su electrodoméstico nuevo a través de Internet, según su conveniencia! Un registro puntual de su producto permitirá una mejor comunicación y un servicio más puntual de acuerdo con los términos de su garantía, en caso de surgir la necesidad. También puede enviar una carta en la tarjeta de inscripción preimpresa que se incluye con el material embalado. En EE.UU.: GEAppliances.com/register

Servicio Programado

El servicio de reparación de expertos de Electrodomésticos GE está a sólo un paso de su puerta. Conéctese a través de Internet y programe su servicio a su conveniencia cualquier día del año. En EE.UU.: GEAppliances.com/service o comuníquese al 800.432.2737 durante el horario de atención comercial.

Garantías Extendidas

Adquiera una garantía extendida de Electrodomésticos GE y conozca los descuentos especiales que están disponibles mientras su garantía aún está vigente. La puede adquirir en cualquier momento a través de Internet. Los Servicios para los Electrodomésticos GE aún estarán allí cuando su garantía caduque. En EE.UU.: GEAppliances.com/extended-warranty o comuníquese al 800.626.2224 durante el horario de atención comercial.

Conectividad Remota

Para solicitar asistencia para la conectividad de red inalámbrica (para modelos con acceso remoto), visite nuestro sitio web en GEAppliances.com/ge/connected-appliances o comuníquese al 800.220.6899 en EE.UU.

Piezas y Accesorios

Aquellos individuos calificados para realizar el servicio técnico de sus propios electrodomésticos podrán solicitar el envío de piezas o accesorios directamente a sus hogares (se aceptan las tarjetas VISA, MasterCard y Discover). Ordene hoy a través de Internet durante las 24 horas, todos los días. En EE.UU.: GEApplianceparts.com o de forma telefónica al 877.959.8688 durante el horario de atención comercial.

Las instrucciones que figuran en este manual cubren los procedimientos que serán realizados por cualquier usuario. Otros servicios técnicos generalmente deben ser derivados a personal calificado del servicio. Se deberá tener cuidado, ya que una reparación indebida podrá hacer que el funcionamiento no sea seguro.

Contáctenos

Si no se encuentra satisfecho con el servicio que recibió de GE Appliances, comuníquese con nosotros a través de nuestro sitio Web con todos los detalles, incluyendo su número telefónico, o escriba a:

En EE.UU.: General Manager, Customer Relations | GE Appliances, Appliance Park | Louisville, KY 40225
GEAppliances.com/contact