

# Haier

Owner's Manual  
Manuel d'utilisation  
Manual del propietario  
QDT125 Series

**18" Built-In Dishwasher**  
**Lave-Vaisselle Incorpore 18"**  
**Lavavajillas Empotrado 18"**



# TABLE OF CONTENTS

<b>SAFETY INFORMATION</b> .....	<b>3</b>
<b>USING THE DISHWASHER</b> .....	<b>5</b>
Getting Started .....	5
Dispensers .....	6
Loading .....	8
<b>CARE AND CLEANING</b> .....	<b>10</b>
<b>TROUBLESHOOTING TIPS</b> .....	<b>12</b>
<b>LIMITED WARRANTY</b> .....	<b>15</b>
<b>CONSUMER SUPPORT</b> .....	<b>16</b>

## RECORD KEEPING

Thank you for purchasing this Haier product. This Owner's Manual will help you get the best performance from your new dishwasher.

For future reference, record the model and serial number located on the the tub wall just inside the door.

Staple your proof of purchase to this manual to aid in obtaining warranty service if needed.

---

Model number

---

Serial number

---

Date of purchase

## SAFETY INFORMATION

### IMPORTANT SAFETY INFORMATION READ ALL INSTRUCTIONS BEFORE USING THE APPLIANCE

**▲WARNING** For your safety, the information in this manual must be followed to minimize the risk of fire, explosion, electric shock, and to prevent property damage, personal injury, or death.

#### **▲WARNING** PROPER INSTALLATION AND MAINTENANCE

This dishwasher must be properly installed and located in accordance with the Installation Instructions before it is used. If you did not receive an Installation Instructions sheet with your dishwasher, you can receive one by visiting our Website at [haierappliances.com](http://haierappliances.com).

- Connect the dishwasher/appliance to a grounded metal, permanent wiring system; or run an equipment-grounding conductor with the circuit conductors and connect to the equipment-grounding terminal or lead of the appliance.
  - Improper connection of the equipment-grounding conductor can result in a risk of electric shock. Check with a qualified electrician or service representative if you are in doubt whether the appliance is properly grounded.
  - Dispose of discarded appliances and shipping or packing material properly.
  - Do not attempt to repair or replace any part of your dishwasher unless it is specifically recommended in this manual. All other servicing should be referred to a qualified technician.
  - Use only cord kit WX09X70910 or hard-wire to building electrical. Failure to follow this instruction, could result in risk of fire and personal injury.
  - To minimize the possibility of electric shock, disconnect this appliance from the power supply before attempting any maintenance.
- NOTE:** Turning the dishwasher off does not disconnect the appliance from the power supply. We recommend having a qualified technician service your appliance.

#### **▲WARNING** WHEN USING YOUR DISHWASHER, FOLLOW BASIC PRECAUTIONS, INCLUDING THE FOLLOWING:

- Use this appliance only for its intended purpose as described in this Owner's Manual.
- Use only detergents or wetting agents recommended for use in a dishwasher and keep them out of reach of children. Using a detergent that is not specifically designed for dishwashers will cause the dishwasher to fill with suds.
- Locate sharp items so that they are not likely to damage the door seal.
- Load sharp knives with the handles up to reduce the risk of cut-type injuries.
- Do not wash plastic items unless marked dishwasher safe or the equivalent. For plastic items not so marked, check the manufacturer's recommendations.
- Do not operate your dishwasher unless all enclosure panels are properly in place.
- Do not tamper with controls.
- Do not abuse, sit on or stand on the door or dish rack of the dishwasher.
- To reduce the risk of injury, do not allow children to play with, on or inside this appliance at any time.
- Do not store or use combustible materials including gasoline or other flammable liquids or vapors in the vicinity of this or any other appliance.
- Small parts can be a choke hazard to small children if removed from the dishwasher. Keep out of reach of small children.

## READ AND SAVE THESE INSTRUCTIONS

## SAFETY INFORMATION

### IMPORTANT SAFETY INFORMATION READ ALL INSTRUCTIONS BEFORE USING THE APPLIANCE

#### ⚠️ **WARNING WATER HEATER SAFETY**

Under certain conditions, hydrogen gas may be produced in a water heater that has not been used for two or more weeks.  
**HYDROGEN GAS IS EXPLOSIVE.**

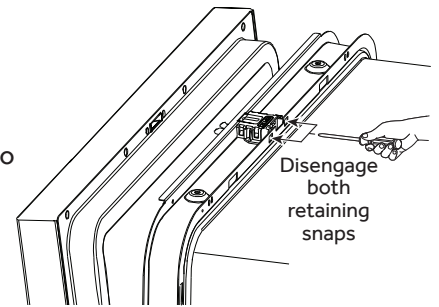
If the hot water has not been used for two or more weeks, prevent the possibility of damage or injury by turning on all hot water faucets and allowing them to run for several minutes. Do this before using any electrical appliance connected to the hot water system. This simple procedure will allow any built-up hydrogen gas to escape. Since the gas is flammable, do not smoke, use an open flame, or use the appliance during this process.

#### ⚠️ **WARNING RISK OF CHILD ENTRAPMENT**

##### **PROPER DISPOSAL OF THE DISHWASHER**

Junked or abandoned dishwashers are dangerous...even if they will sit for "just a few days." If you are getting rid of your dishwasher, please follow the instructions below to help prevent accidents.

- Do not allow children to play with, on, or inside this or any discarded appliance.
- Take off the door of the washing compartment or remove the latch by disengaging the two retaining snaps using a flat-blade screwdriver (as shown).



#### ⚠️ **CAUTION TO PREVENT MINOR INJURY AND PROPERTY DAMAGE**

- During or after wash cycle, contents may be hot to the touch. Use care before handling.
- Close supervision is necessary if this appliance is used by or near children. Do not allow children to play around the dishwasher when closing the door, closing the upper rack, or while vertically adjusting the upper rack due to the possibility of small fingers being pinched.
- Non-Dishware Items: Do not wash items such as electronic air cleaner filters, furnace filters and paint brushes in your dishwasher. Damage to the dishwasher and discoloration or staining of the dishwasher may result.

#### ⚠️ **CAUTION ELECTRICAL REQUIREMENTS**

- This appliance must be supplied with 120V, 60 Hz, and connected to an individual, properly grounded branch circuit, protected by a 15 or 20 amp circuit breaker or time-delay fuse.
- If the electric supply provided does not meet the above specifications, it is recommended that a licensed electrician install an approved outlet.
- Your dishwasher circuit should not be used for any other appliance while the dishwasher is in operation as the dishwasher requires the full capacity of the circuit.

#### ⚠️ **NOTICE**

- If your dishwasher is connected to a wall switch, ensure that the switch is on prior to use.
- If you choose to turn the wall switch off between wash cycles, allow 5-10 seconds after turning the switch on before touching **Start** to allow the control to initialize.
- Use only powder, **Finish® Quantum® Automatic Dishwashing Detergent**, liquid detergents or rinse agents recommended for use in a dishwasher and keep them out of the reach of children. **Finish® Quantum® Automatic Dishwashing Detergent**, and **Finish® Jet-Dry® Rinse Aid** rinse agents have been approved for use in all Haier Appliances dishwashers.

## READ AND SAVE THESE INSTRUCTIONS

# USING THE DISHWASHER

Features and appearance will vary throughout this manual



## 1 LOAD DISHWASHER

For best dishwashing results, follow the loading guidelines found in the **Loading** section. No pre-rinsing of normal food soil is required. Scrape off hard soils, including bones, toothpicks, skins, and seeds. Remove leafy vegetables, meat trimmings, and excessive amounts of grease or oil.

## 2 ADD DETERGENT

Add needed amount of detergent to the detergent dispenser. Use detergent such as **Finish® Quantum® Automatic Dishwashing Detergent**. See **Dispensers** section.

## 3 ADD RINSE AGENT

Add rinse agent such as **Finish® Jet-Dry® Rinse Aid** to the rinse agent dispenser. See **Dispensers** section. **NOTE:** The use of rinse aid can further enhance the dishwasher's drying performance.

## 4 SELECT CYCLE

Open the door and press the **Cycle Select** pad for the desired wash cycle. The light next to the **Cycle Select** pad will be lit to indicate which wash cycle has been selected.

**NOTE:** Cycle times vary based on soil level, water temperature, and options selected.

The cycle must be selected with the door in the open position. The cycle will not start until the **Start** pad is pushed and the door is closed within 4 seconds.

**AutoSense** This cycle automatically senses the soil level and adjusts the wash cycle accordingly. It is meant for daily, regular, or typical use to completely wash a full load of normally soiled dishes and is designed to conserve both water and energy. **NOTE: AutoSense** was used to rate the energy efficiency of this dishwasher.  
\*Time range: 1 hour 30 minutes - 2 hours.

**Heavy** This cycle is meant for heavily soiled dishes, cookware, pots, or pans with dried-on or baked-on soils. Everyday dishes are safe to be used in this cycle. \*Time: 2 hours 10 minutes.

**Light** This cycle is for lightly soiled dishes. It is safe for china and crystal with no options selected. \*Time: 48 minutes.

\*Washing time only. Does not include drying time, Auto Hot Start, or options. **NOTE:** If the incoming water temperature is too low, the Auto Hot Start feature may add up to 11 minutes of additional time.

## 5 SELECT OPTIONS

**Wash Temp** Allows you to select a higher wash temperature. These options are only available for **Heavy** and **AutoSense** cycles. Press the **Wash Temp** pad until the light next to the desired option comes on.

**Boost** This option raises water temperature and extends cycle time in order to achieve better wash performance.

**Sanitize** This option raises the water temperature in the final rinse to sanitize your dishware. The cycle length may vary depending on the temperature of your inlet water.  
**NOTE:** Cycles using this option are monitored for sanitization requirements. If the cycle is interrupted during or after the main wash portion or if the incoming water temperature is so low that adequate water heating cannot be achieved, the sanitizing conditions may not be met. In these cases, the Sanitized light will not illuminate at the end of the cycle. Utilizing this option will modify the cycle to meet the requirements of Section 6, NSF 184 for soil removal and sanitization efficacy.  
**NOTE:** NSF certified residential dishwashers are not intended for licensed food establishments.

**Delay Start** This option allows you to delay the start of a wash cycle for up to 12 hours. With the door open and a cycle selected, press the **Delay Start** pad to choose the number of hours you want to delay the start of the wash cycle. The hours will show in the display window.  
**NOTE:** You may cancel the **Delay Start** timer by holding the **Start** pad for 3 seconds. This will also cancel the wash cycle.

**Control Lock** You can lock the controls to prevent selections from being made. You can also lock the controls after you have started a cycle to prevent cycle changes. For example, children cannot accidentally start the dishwasher by pressing pads with this option selected.  
**To LOCK/UNLOCK the dishwasher control**, press and hold the **Cycle Select** and **Wash Temp** pads for 3 seconds. The lock control light (🔒) will turn on to indicate the control is locked and will turn off to indicate the control is unlocked.

# USING THE DISHWASHER

## 6 START DISHWASHER

<b>Start</b>	Press the <b>Start</b> pad and close the door within 4 seconds to start the cycle or begin the <b>Delay Start</b> countdown. The <b>Start</b> light will turn on. The wash cycle will begin after 10 seconds and then pump out for 60 seconds prior to filling the dishwasher with water. To activate the display, press any pad with the door open.
<b>Interrupt or Pause</b>	To interrupt or pause a cycle, slowly open the door. Opening the door will cause the wash cycle to pause. The dishwasher will beep every minute to remind you to close the door. To restart or resume the cycle, press <b>Start</b> , and close the door within 4 seconds. If the door is not closed within 4 seconds, the <b>Start</b> light will start blinking and the dishwasher will beep once every minute to signal that the cycle did not restart. If the <b>Start</b> light is blinking, the dishwasher is waiting for input.
<b>Cancel</b>	To cancel a wash cycle, press and hold the <b>Start</b> pad for 3 seconds and close door. The dishwasher will drain, emit a beep sound, and the wash cycle light will turn off.

## 7 INDICATOR LIGHTS

<b>Sanitized</b>	Displayed at end of the cycle when <b>Wash Temp - Sanitize</b> has been selected and dishwasher has met requirements for sanitization. See <b>Wash Temp - Sanitize</b> , for complete description. Opening the door will turn off the light.
<b>Clean</b>	Displayed when a wash cycle is complete. The light stays on as a reminder that the dishes are clean. Opening the door will turn the light off.

## 8 DISPLAY

<b>Time Remaining</b>	During operation, the display shows the total number of minutes remaining in the cycle. During a delay start, the display will show hours of time remaining until the cycle starts.
-----------------------	---

## CHECK THE WATER TEMPERATURE

The entering water should be at least 120°F (49°C) and not more than 150°F (66°C) for effective cleaning and to prevent dish damage. Check the water temperature with a candy or meat thermometer.

Turn on the hot water faucet nearest the dishwasher, place the thermometer in a glass and let the water run continuously into the glass until the temperature stops rising.

## SABBATH/DOOR WAKE UP MODE

To turn this option ON/OFF, press and hold the **Start** and **Wash Temp** buttons for 5 seconds, close the door and wait 3 minutes for the dishwasher to go into sleep mode. In the OFF mode, the control display, control sounds, and interior lights (on some models) will not respond to the door opening/closing. This mode can be used when observing certain religious holidays such as the Sabbath. To activate the control and interior lights (on some models), press any button.

## MUTE

To turn the dishwasher control sounds ON/OFF, press the **Wash Temp** button 5 times within 5 seconds.

## DISPENSERS

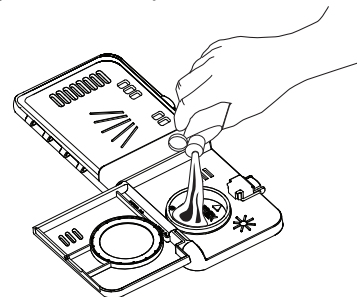
### Use a Rinse Agent

Rinse agents, such as **Finish® Jet-Dry® Rinse Aid** are designed for great drying action and to protect against spots and film build-up on your dishes, glasses, flatware, cookware, and plastic.

### Filling the Rinse Agent Dispenser

The rinse agent dispenser holds 3.9 oz. (115 ml) of rinse agent. Under normal conditions, this will last approximately one month.

- 1 Make sure the dishwasher door is fully open.
- 2 Open the dispenser door. (Rinse agent compartment is on the right side of dispenser.)



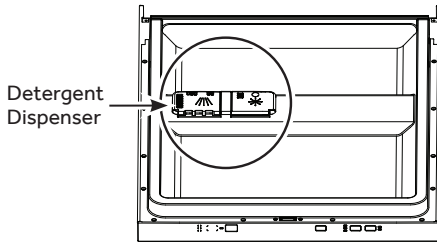
- 3 Slowly add rinse agent until the cup is full. You may need to pause several times to allow rinse aid to settle.
- 4 Clean up any spilled rinse agent with a damp cloth to prevent foam from forming inside the dishwasher.
- 5 Close the dispenser door.

# USING THE DISHWASHER

## DETERGENT DISPENSER

To open, press the button and the cover will flip back. The detergent dispenser has two compartments. The pre-wash compartment is the smaller compartment on the left side. Use the pre-wash compartment only when your water is extremely hard or when you have a heavy soiled load. The pre-wash compartment is not used when tablet or packet detergents are used.

**NOTE:** Do not block detergent dispenser with large or tall utensils.



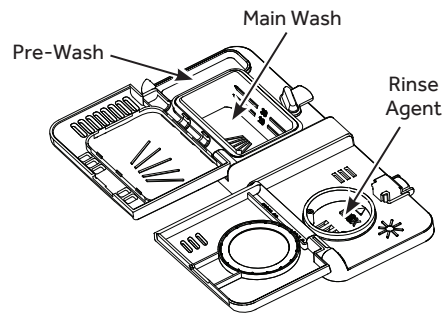
You may use tablet, packet, powder, liquid or gel automatic dishwasher detergent. Make sure you use only detergents specifically labeled for use in automatic dishwashers. Never use liquid hand dish detergent in an automatic dishwasher. Sudsing and poor wash performance will result with the use of improper detergents.

Detergents should be stored in a dry location and in their original container to prevent loss of effectiveness. Place detergent in the cup just prior to starting the dishwasher and then close the cover. The cover will open during the wash cycle.

## FILLING THE DETERGENT DISPENSER

We recommend using detergent in tablet or packet form. Independent testing has shown this form of detergent is very effective in the dishwasher. **Finish® Quantum® Powerball®** is an example of this type of detergent. Simply put a tablet or packet into the main wash compartment and close the detergent cup cover. Please notice that the tablet or packet must be placed in the main wash compartment of the detergent cup. If the tablet or packet is placed in the prewash compartment or tossed in the bottom of the dishwasher, the detergent will be flushed down the drain in a very short period of time and will thus be wasted. Wash performance will be very poor as a result.

If you choose to use detergent in powder, liquid or gel form, the amount of detergent you use will be determined by the hardness of your water, the temperature of your water, and the food soil load inside the dishwasher. Contact your water company to get information about the hardness of the water in your area. Water hardness is measured in grains per gallon. Use this information and the table above to determine the amount of detergent to use. You may purchase a hard water test strip from Haier Appliances. Call 877-337-3639 and ask for part number **WD01X10295**. In Canada, call 800-661-1616.

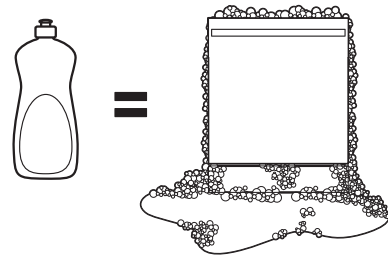


Use the table as a starting point and then adjust the amount of detergent you use. Use just enough to get good wash performance. Using just the right amount of detergent will provide great wash performance without wasting detergent or etching glassware.

Number of Grains/Gal.	Detergent Cup(s) to Fill
Less than 5	Fill main cup to line 20
5 to 10	Fill main cup to line 30
Greater than 10	Fill both main cup and pre-wash cup

Using too much detergent with very soft and/or very hot water may cause a condition called etching on your glassware. Etching is a permanent cloudiness in your glassware. This condition is irreversible. However, using too little detergent will cause poor wash performance.

## DO NOT USE HAND DISH DETERGENT



**NOTE:** Using a detergent that is not specifically designed for dishwashers will cause the dishwasher to fill with suds. During operation, these suds will spill out of the dishwasher vents, covering the kitchen floor and making the floor wet.

Because so many detergent containers look alike, store the dishwasher detergent in a separate space from all other cleaners. Show anyone who may use the dishwasher the correct detergent and where it is stored.

While there will be no lasting damage to the dishwasher, your dishes will not get clean using a dishwashing detergent that is not formulated for automatic dishwashers.

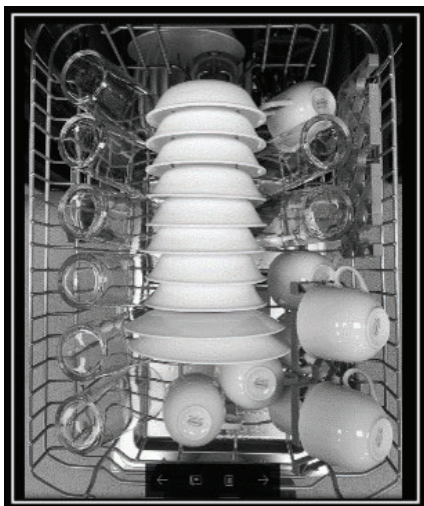
# USING THE DISHWASHER

For best dishwashing results, follow these loading guidelines. Features and appearance of racks and silverware baskets may vary from your model.

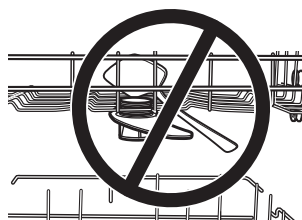
## UPPER RACK

The upper rack is for glasses, cups, and saucers. This is also a secure place for dishwasher-safe plastic items. The upper rack can be used for odd sized utensils. Sauce pans, mixing bowls, and other similarly shaped items should be placed face down for best wash performance.

The cup shelf may be placed in the up or down position to add flexibility.



**IMPORTANT:** Ensure that items do not protrude through the bottom of the rack where they will block the rotation of the upper spray arm. This could result in noise during operation and/or poor wash performance.



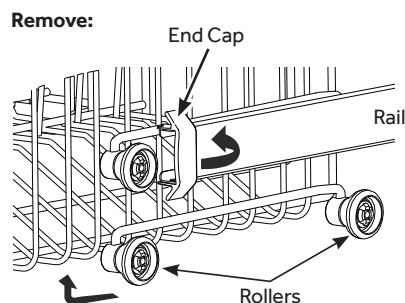
## UPPER RACK - ADJUSTMENT

**CAUTION** A loaded upper rack may be heavier than anticipated. To prevent minor injury or damage to the contents, do not raise or lower the upper rack after the rack is loaded.

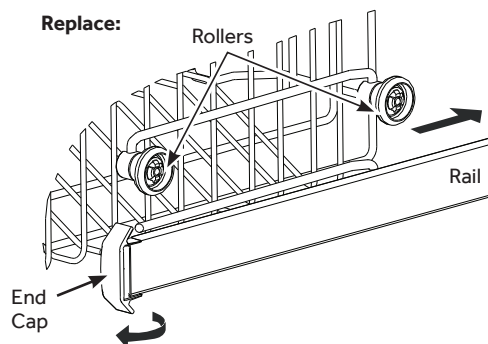
The upper rack may be adjusted to accommodate larger items.

To adjust the upper rack:

- 1 Fully extend the upper rack and rotate open the two plastic end caps on the front of the rails.



- 2 Remove the upper rack.
- 3 Select the set of rollers on the side of the rack that provides the desired height, and reinstall the upper rack by guiding the rack rails between the appropriate set of rollers.



- 4 With the rack reinstalled, rotate closed the two plastic end caps, ensuring the snap is properly engaged. Failure to properly engage the end caps may result in the rack falling from the dishwasher.



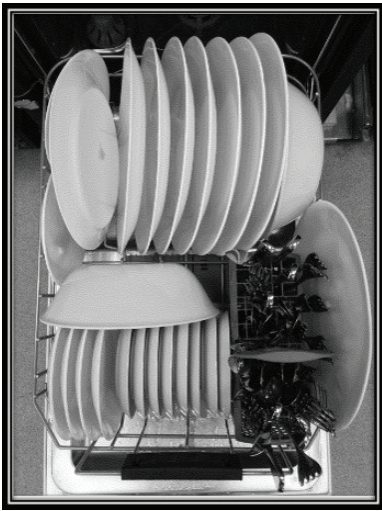
# USING THE DISHWASHER

For best dishwashing results, follow these loading guidelines. Features and appearance of racks and silverware baskets may vary from your model.

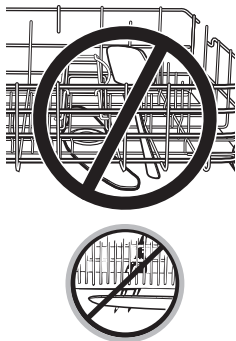
## LOWER RACK

**When loading the lower rack, do not load large platters or trays in the front left.** They may prevent detergent from circulating during the wash cycle.

The lower rack is best used for plates, saucers and cookware. Large items should go along the sides. Load platters, pots and bowls along the sides, in corners or in the back. The soiled side of items should face the center of the rack.



**IMPORTANT:** Ensure that items do not protrude through the bottom of the rack or the silverware basket where they will block the rotation of the lower spray arm. This could result in noise during operation and/or poor wash performance.

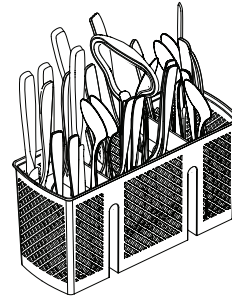


## SILVERWARE BASKET

The silverware basket may be used without the topper for quick loading. With the topper, flatware is better positioned for the dishwasher to thoroughly wash and dry all pieces by preventing nesting.

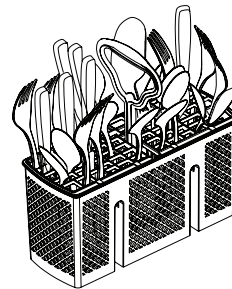
### Without the topper

Put the flatware in the removable basket with fork and knife handles up to protect your hands. Place spoons in the basket with handles down. Mix knives, forks and spoons so they don't nest together. Distribute evenly. Small plastic items, such as measuring spoons and lids from small containers, should go in the bottom of the silverware basket with silverware on top.



### With the topper

Place small plastic items, such as measuring spoons and lids from small containers, in the bottom of the basket and snap the topper in place. Insert spoons and forks, handles first, through the holes in the topper. Place knives, blades first, through the holes in the topper.



**IMPORTANT:** Do not load large or tall utensils where they may block the detergent dispenser or upper spray arm. This could result in noise during operation and/or poor wash performance.

# CARE AND CLEANING

## CONTROL PANEL

To clean the control panel, use a lightly dampened cloth. Then dry thoroughly.

## EXTERIOR DOOR PANEL

Before cleaning the front panel, make sure you know what type of panel you have. Refer to the last two letters of your model number. You can locate your model number on the left-hand tub wall just inside the door. If your model number ends with BB or WW then you have a painted door panel. If your model number ends with SS, then you have a Stainless Steel door panel.

Follow the instructions below for cleaning the door panel for your specific model.

**Painted Door Panel** (model numbers ending in BB–black or WW–white)

Use a clean, soft, lightly dampened cloth, then dry thoroughly.

Do not use scouring pads or powered cleaners because these products can scratch the finish.

**Stainless Steel Door Panel** (model numbers ending in SS)

**For cleaning rust and tarnish**, cleaners with oxalic acid such as Bar Keepers Friend Soft Cleanser™ will remove rust, tarnish and small blemishes. Use only a liquid cleanser free of grit and rub in the direction of the brush lines with a damp soft sponge. Do not use appliance wax or polish on the stainless steel.

**For other blemishes and marks**, use Stainless Steel Magic or a similar product using a clean soft cloth. Do not use appliance wax, polish, bleach or products containing chlorine on Stainless Steel. You can order Stainless Steel Magic # WX10X29 through Haier Appliances Parts by calling 877-337-3639. In Canada, call 800-661-1616.

## DISHWASHER INTERIOR

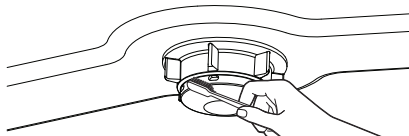
To clean and de-odorize your dishwasher, use citric acid or **Finish® Dishwasher Cleaner**, a detergent additive. **Finish® Dishwasher Cleaner** will break up mineral deposits, and remove hard water film and stains.

You can order citric acid Haier Appliances kit #WD35X151 through Haier Appliances Parts by calling 877-337-3639 or visiting [haierappliances.com](http://haierappliances.com). In Canada, call 800-661-1616. You can purchase **Finish® Dishwasher Cleaner** at your local grocery store.

## UPPER SPRAY HEAD

**Do NOT remove the upper spray head.**

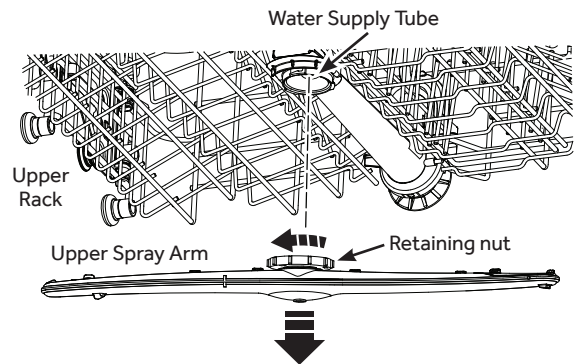
Clean with warm soapy water using a small plastic bristle brush.



## SPRAY ARMS

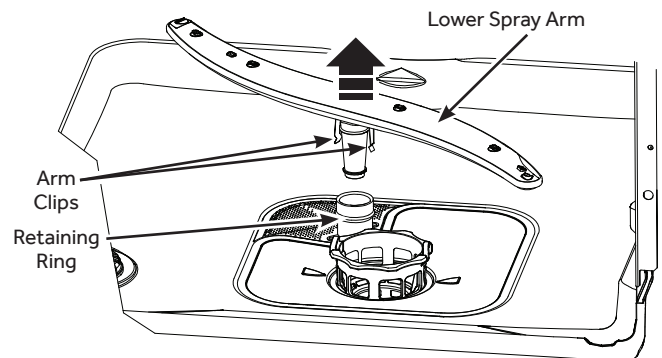
Because hard water chemicals will clog the spray arm jets and bearings, it is necessary to clean the spray arms regularly. Wash the arms in soapy, warm water and use a soft brush to clean the jets. Replace them after rinsing thoroughly.

**To remove the upper spray arm**, twist the retaining nut 45° and pull the spray arm off the water supply tube.



**IMPORTANT:** When replacing make sure to twist lock the retaining nut securely onto the water supply tube. Check that the spray arm is secure and that it rotates freely.

**To remove the lower spray arm**, remove the lower rack and lift spray arm out.

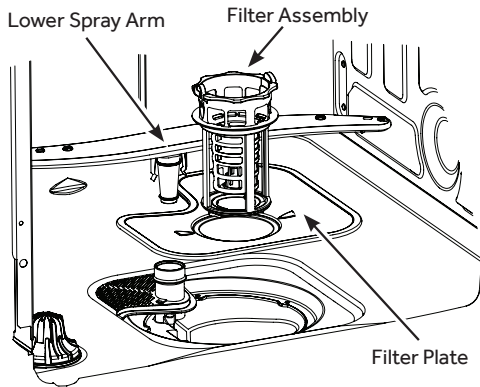


**IMPORTANT:** When replacing make sure to seat the arm clips over the retaining ring. Check that the spray arm is secure and that it rotates freely.

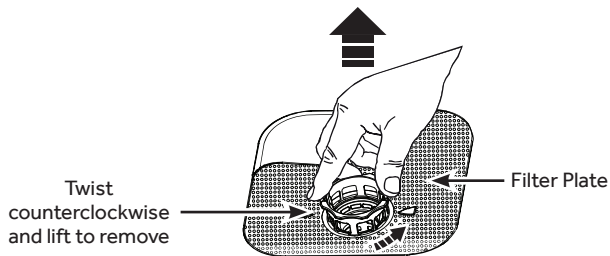
# CARE AND CLEANING

## FILTER ASSEMBLY

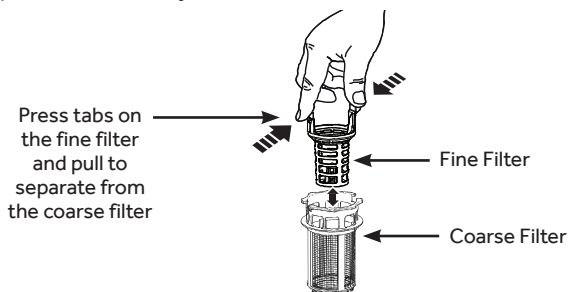
Inspect and clean the filters periodically. This should be done every month or more depending on usage. If there is a decrease in wash performance or dishes feel gritty, this is also an indication the filters need to be cleaned.



To clean the filter assembly, remove the bottom rack and lower spray arm. Twist the filter assembly counterclockwise and lift to remove. Remove the filter plate.

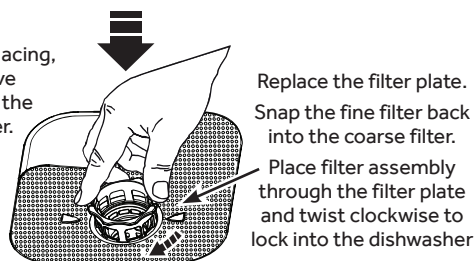


Rinse the filters with warm soapy water. Scouring pads or brushes can scratch the filter surfaces but a soft brush or sponge may be needed to remove stubborn soils or calcium deposits caused by hard water.



Once cleaned, replace the filter plate, insert the filter assembly through the plate and twist it clockwise until it locks in place. Make sure the filters are fully seated as improper replacement of the filters may reduce the performance level of the appliance. Replace the lower spray arm and lower rack.

**IMPORTANT:** Before replacing, make sure no objects have fallen into the opening in the bottom of the dishwasher.



## STAINLESS STEEL INNER DOOR AND TUB

The stainless steel used to make the dishwasher tub and inner door provides the highest reliability available in a Haier Appliances dishwasher.

If the dishwasher tub or inner door should be scratched or dented during normal use, they will not rust or corrode. These surface blemishes will not affect their function or durability.

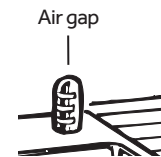
## PROTECT AGAINST FREEZING

If your dishwasher is left in an unheated place during the winter, ask a service technician to:

- 1 Turn off electrical power to the dishwasher. Remove fuses or trip circuit breaker.
- 2 Turn off the water supply and disconnect the water inlet line from the water valve.
- 3 Drain water from the water inlet line and water valve. (Use a pan to catch the water.)
- 4 Reconnect the water inlet line to the water valve.

## DOES YOUR DISHWASHER HAVE AN AIR GAP?

An air gap protects your dishwasher against water backing up into it if a drain clogs. The air gap is not a part of the dishwasher. It is not covered by your warranty. Not all plumbing codes require air gaps, so you may not have one.



Check the air gap any time your dishwasher isn't draining well.

**The air gap is easy to clean:**

- 1 Turn off the dishwasher and lift off the air gap cover.
- 2 Remove the plastic cap under the cover and clean with a toothpick.
- 3 Replace the cap and cover when the air gap is clean.

If the dishwasher tub or inner door should be scratched or dented during normal use, they will not rust or corrode. These surface blemishes will not affect their function or durability.

## TROUBLESHOOTING TIPS

Problem	Possible Cause	What To Do
Start status indicator light flashing	The door was opened or the cycle was interrupted.	Press the <b>Start</b> pad once and close the door within 4 seconds to start the dishwasher. Press the <b>Start</b> pad a second time when the dishwasher is running only if you wish to cancel the cycle.
Dishwasher BEEPS once every minute	This is a reminder that your dishwasher door has been left open during operation. It will continue beeping until you press Start and close the door.	Press <b>Start</b> and close the door.
Beeping at the end of the cycle	This is normal. Dishwasher will beep at end of cycle.	The dishwasher will beep (unless interrupted) and the <b>Clean</b> light will display at the end of the wash cycle.
Dishes and flatware not clean	Filter assembly is clogged	See the <b>CARE AND CLEANING</b> section.
	Low inlet water temperature	Make sure inlet water temperature is correct (see the <b>USING THE DISHWASHER</b> section). Turn on the hot water faucet nearest the dishwasher, let run until the water temperature stops rising. Then start the dishwasher and turn off the faucet. This ensures the entering water is hot. Select <b>Wash Temp - Boost</b> .
	Water pressure is temporarily low	Turn on a faucet. Is water coming out more slowly than usual? If so, wait until pressure is normal before using your dishwasher. Normal water pressure to the dishwasher should be 20-120 psi.
	Air gap or disposer clogged	Clean the air gap or flush the disposer.
	High drain loop or air gap not installed	Refer to the Installation Instructions for proper drain line installation.
	Improper rack loading	Make sure large dishware or utensils do not block the detergent dispenser or the wash arms. See the <b>Loading</b> section.
	Poor performing detergent	Use a highly rated detergent such as <b>Finish® Quantum® Automatic Dishwashing Detergent</b> .
Spots and filming on glasses and flatware	Extremely hard water	Use rinse agents such as <b>Finish® Jet-Dry® Rinse Aid</b> to prevent spots and prevent new film build-up. If water is extremely hard, a softener may be required.
	Low inlet water temperature	Make sure inlet water temperature is at least 120°F (49°C).
	Overloading or improper loading of the dishwasher	Load dishwasher as shown in the <b>Loading</b> section.
	Old or damp powder detergent	Make sure detergent is fresh. Use a highly rated detergent such as <b>Finish® Quantum® Automatic Dishwashing Detergent</b> .
	Rinse agent dispenser empty	Refill with rinse agent such as <b>Finish® Jet-Dry® Rinse Aid</b> .
	Too little or low performing detergent	Make sure you use the proper amount of highly rated detergent.
Cloudiness on glassware	Combination of soft water and too much detergent	This is called etching and is permanent. To prevent this from happening, use less detergent if you have soft water. Wash glassware in the shortest cycle that will get it clean.
	Low performing phosphate-free detergent	See <b>A white film on glassware, dishware and the interior</b> in this <b>TROUBLESHOOTING TIPS</b> section.
	Water temperature entering the dishwasher exceeds 150°F (66°C)	This could be etching. Lower the water heater temperature.
Suds in the tub	Wrong detergent	Use only automatic dishwasher detergents to avoid sudsing. <b>Finish® Quantum® Automatic Dishwashing Detergent</b> has been approved for use in all Haier Appliances dishwashers.
	Rinse agent was spilled	Always wipe up rinse agent spills immediately.

## TROUBLESHOOTING TIPS

Problem	Possible Cause	What To Do
Detergent left in dispenser cups	Dishes or utensils are blocking the detergent cup	Reposition the dishes, so the water from the lower spray arm can flush the detergent cup. See the <b>Loading</b> section. Reposition the tall utensils or heavy silverware that may be keeping the dispenser cup door from opening. See the <b>Loading</b> section.
Black or gray marks on dishes	Aluminum utensils have rubbed against dishes	Remove marks with a mild, abrasive cleaner.
Dishes don't dry	Door not opened immediately after Clean light came on	For proper drying, the dishwasher door must be opened immediately after the <b>Clean</b> light comes on.
	Low inlet water temperature	Make sure inlet water temperature is at least 120°F. Use <b>Wash Temp Boost</b> . Select a higher cycle, such as <b>Heavy</b> .
	Rinse agent dispenser is empty	Check the rinse agent dispenser and fill as required.
Control panel responded to inputs but dishwasher never filled with water	Door may not be completely closed	Make sure the door is firmly closed.
	Water valve may be turned off	Make sure water valve (usually located under the sink) is turned on.
Stained tub interior	An overall yellow or brown film can be caused by iron deposits in water	A special filter in the water supply line is the only way to correct this problem. Contact a water softener company.
	White film on inside surface—hard water minerals	We recommend <b>Finish® Jet-Dry® Rinse Aid</b> to help prevent hard water mineral deposits from forming. Run dishwasher with citric acid to remove mineral deposits. Citric acid (Part number: WD35X151) can be ordered through Haier Appliances Parts. See back cover for ordering information. Alternatively, purchase <b>Finish® Dishwasher Cleaner</b> and follow the directions on the label.
Dishwasher won't run	Fuse is blown or circuit breaker is tripped	Replace fuse or reset circuit breaker. Remove any other appliances from the circuit.
	Power is turned off	In some installations, the power to the dishwasher is provided through a wall switch, often located next to the disposer switch. Make sure it is on.
	Control panel is locked	Unlock control panel. See the <b>Getting started</b> section.
	Reboot your control	Turn off power to the dishwasher (at circuit breaker or wall switch) for 30 seconds, then turn back on.
Control panel lights go off when you're setting controls	Time too long between touching of selected pads	Each pad must be touched within 30 seconds of the others. To relight, touch any pad again or open the door and unlock.
Water standing in the bottom of the tub	Air gap is clogged	Clean the air gap. See the <b>CARE AND CLEANING</b> section.
	High drain loop or air gap not installed	Refer to the Installation Instructions for proper drain line installation.
Water won't pump out of the tub	Drain is clogged	If you have an air gap, clean it. See the <b>CARE AND CLEANING</b> section. If the dishwasher drains into a disposer, run disposer clear. Check to see if your kitchen sink is draining well. If not, you may need a plumber.

## TROUBLESHOOTING TIPS

Problem	Possible Cause	What To Do
Sanitized light does not illuminate at the end of the cycle	The door was opened and the cycle was interrupted during final rinse	Do not interrupt the cycle by opening the door during the wash cycle.
	The incoming water temperature was too low	Raise the water heater temperature to between 120°F and 150°F.
Noise	<b>Normal operating sounds:</b> Beeping at the end of the cycle Detergent cup opening Water entering dishwasher Motor stops and starts at various times during cycle Spray arms start and stop at various times Drain pump sounds during pump out Drain pump starts and stops several times during each drain	These are all normal. No action is required.
	Rattling dishes when the spray arm rotates	Make sure dishes are properly loaded. See the <b>Loading</b> section.
	Rattling silverware against door during wash	Tall utensils may be placed in the upper rack to avoid bumping against inner door during wash cycle.
A white film on glassware, dishware and the interior	<b>This problem is likely caused by a low quality phosphate-free dishwasher detergent</b>	<p>To remove the white film, run your dishes through a dishwasher cycle with citric acid. Use a WD35X151 citric acid kit found online. Otherwise, use <b>Finish® Dishwasher Cleaner</b> found at your local grocery store.</p> <p>Pour the citric acid in the detergent cup and close the cover. Place the filmed but otherwise clean glassware and dishware in the dishwasher. Leave silverware and other metal items out of the dishwasher. Turn the dishwasher on and let it run through a complete cycle without detergent. The glassware, dishware, and dishwasher should come out film free. Alternatively, a vinegar rinse may be used. Pour 1 cup of vinegar into dishwasher just after the detergent cup opens and let the dishwasher complete its cycle. This may be repeated several times a year as needed.</p> <p>The use of a rinse agent such as <b>Finish® Jet-Dry® Rinse Aid</b> may help minimize a repeat build up of film. Also, the use of a highly rated detergent such as <b>Finish® Quantum® Automatic Dishwashing Detergent</b> will help prevent film build-up.</p>

## FORGET TO ADD A DISH?

Additional items may be added to the dishwasher at any time, ideally items would be added shortly after starting a wash cycle.

- 1 Open the door to interrupt the cycle. Pull the door handle to release the door.
- 2 Do not open the door all the way until the water spray action stops. Steam may rise out of the dishwasher.
- 3 Add additional items.
- 4 Press **Start** and close the door within 4 seconds to resume the cycle.

# LIMITED WARRANTY

## haierappliances.com

All warranty service is provided by our Factory Service Centers, or an authorized Customer Care® technician. To schedule service online, visit us at [haierappliances.com](http://haierappliances.com), or call Haier Appliances at 877-337-3639. In Canada, call 877-470-9174. Please have your serial number and your model number available when calling for service.

Servicing your appliance may require the use of the onboard data port for diagnostics. This gives a Haier Appliances factory service technician the ability to quickly diagnose any issues with your appliance and helps Haier Appliances improve its products by providing Haier Appliances with information on your appliance. If you do not want your appliance data to be sent to Haier Appliances, please advise your technician not to submit the data to Haier Appliances at the time of service.

For the period of	Haier Appliances will replace
<b>One year</b> From date of the original purchase	<b>Any part</b> of the dishwasher which fails due to a defect in materials or workmanship. During this <b>limited one-year warranty</b> , Haier Appliances will provide, <b>free of charge</b> , all labor and in-home service to replace the defective part.

Staple your receipt here. Proof of the original purchase date is needed to obtain service under the warranty.

### What Haier Appliances will not cover (for customers in the United States):

- Service trips to your home to teach you how to use the product.
- Improper installation, delivery, or maintenance.
- Failure of the product if it is abused, misused or used for other than the intended purpose or used commercially.
- Replacement of house fuses or resetting of circuit breakers.
- Product not accessible to provide required service.
- Damage to the product caused by accident, fire, floods, or acts of God.
- Incidental or consequential damage caused by possible defects with this appliance.
- Cleaning or servicing of the air gap device in drain line.
- Damage caused after delivery including damage from items dropped on the door.

This limited warranty is extended to the original purchaser and any succeeding owner for products purchased for home use within the USA. If the product is located in an area where service by a Haier Appliances Authorized Servicer is not available, you may be responsible for a trip charge or you may be required to bring the product to an Authorized Haier Appliances Service location for service. In Alaska, the limited warranty excludes the cost of shipping or service calls to your home.

Some states do not allow the exclusion or limitation of incidental or consequential damages. This limited warranty gives you specific legal rights, and you may also have other rights which vary from state to state. To know what your legal rights are, consult your local or state consumer affairs office or your state's Attorney General.

**Warrantor: Haier Appliances, Louisville, KY 40225**

### What Haier Appliances will not cover (for customers in Canada):

- Service trips to your home to teach you how to use the product.
- Improper installation.  
If you have an installation problem, contact your dealer or installer. You are responsible for providing adequate electrical, exhausting and other connecting facilities.
- Failure of the product if it is abused, misused or used for other than the intended purpose or used commercially.
- Replacement of house fuses or resetting of circuit breakers.
- Damage to the product caused by accident, fire, floods, or acts of God.
- Damage caused after delivery including damage from items dropped on the door.

This limited warranty is extended to the original purchaser and any succeeding owner for products purchased in Canada for home use within Canada. In home warranty service will be provided in areas where it is available and deemed reasonable by Mabe to provide.

**WARRANTOR IS NOT RESPONSIBLE FOR CONSEQUENTIAL DAMAGES.**

**Warrantor: MC Commercial Inc., Burlington, ON, L7R 5B6**

### EXCLUSION OF IMPLIED WARRANTIES

Your sole and exclusive remedy is product repair as provided in this Limited Warranty. Any implied warranties, including the implied warranties of merchantability or fitness for a particular purpose, are limited to one year or the shortest period allowed by law.

# CONSUMER SUPPORT

## Haier Appliances Website

Have a question or need assistance with your appliance? Try the Haier Appliances Website 24 hours a day, any day of the year! You can also shop for more great Haier Appliances products and take advantage of all our on-line support services designed for your convenience. In the US: [haierappliances.com](http://haierappliances.com)

---

## Register Your Appliance

Register your new appliance on-line at your convenience! Timely product registration will allow for enhanced communication and prompt service under the terms of your warranty, should the need arise. You may also mail in the pre-printed registration card included in the packing material. In the US: [haierappliances.com](http://haierappliances.com)

In Canada: 877-470-9174.

---

## Schedule Service

Expert Haier Appliances repair service is only one step away from your door. Get on-line and schedule your service at your convenience any day of the year. In the US: [haierappliances.com](http://haierappliances.com) or call 877-337-3639 during normal business hours.

In Canada: 877-470-9174.

---

## Remote Connectivity

For assistance with wireless network connectivity (for models with remote enable), visit our website in the US at [haierappliances.com](http://haierappliances.com)

---

## Parts and Accessories

Individuals qualified to service their own appliances can have parts or accessories sent directly to their homes (VISA, MasterCard and Discover cards are accepted).

In the US: 877-337-3639 during normal business hours.

In Canada: 800-661-1616.

**Instructions contained in this manual cover procedures to be performed by any user. Other servicing generally should be referred to qualified service personnel. Caution must be exercised, since improper servicing may cause unsafe operation.**

---

## Contact Us

If you are not satisfied with the service you receive from Haier Appliances, contact us on our website at [haierappliances.com](http://haierappliances.com) with all the details including your phone number, or write to:

In the US: Haier Appliances, Consumer Relations | PO Box 1780 | Rapid City, SD 57709

In Canada: 877-470-9174.



# Haier

Manuel d'utilisation  
QDT125 Série

## Lave-Vaisselle Incorpore 18"



# TABLE DES MATIÈRES

<b>CONSIGNES DE SÉCURITÉ</b> .....	<b>3</b>
<b>UTILISATION DU LAVE-VAISSELLE</b> .....	<b>5</b>
Comment démarrer .....	5
Distributeurs .....	6
Chargement .....	8
<b>ENTRETIEN ET NETTOYAGE</b> .....	<b>10</b>
<b>CONSEILS DE DÉPANNAGE</b> .....	<b>12</b>
<b>GARANTIE LIMITÉE</b> .....	<b>15</b>
<b>SERVICE À LA CLIENTÈLE</b> .....	<b>16</b>

## DOCUMENTS À CONSERVER

Merci d'avoir acheté ce produit Haier. Ce manuel d'utilisation vous aidera à obtenir la meilleure performance possible de votre nouveau lave-vaisselle.

Pour référence ultérieure, inscrire le numéro de plaque signalétique et la date d'achat. La plaque signalétique est située sur la paroi de la cuve, à l'intérieur de la porte.

Pour faciliter l'obtention d'un service sous garantie, agraffer la preuve de la date d'achat à ce manuel.

---

N° de modèle

---

N° de série

---

Date d'achat

# CONSIGNES DE SÉCURITÉ

## CONSIGNES DE SÉCURITÉ IMPORTANTES LIRE TOUTES LES CONSIGNES AVANT D'UTILISER L'APPAREIL

**▲ AVERTISSEMENT** Pour votre sécurité, veuillez suivre les directives données dans le présent manuel afin de réduire au minimum les risques d'incendie, d'explosion et de chocs électriques et prévenir tout dommage et blessure grave ou mortelle.

### ▲ AVERTISSEMENT INSTALLATION ET ENTRETIEN APPROPRIÉS

Ce lave-vaisselle doit être correctement installé, en conformité avec les directives d'installation fournies, avant d'être utilisé. Si vous n'avez pas reçu les directives d'installation avec votre appareil, vous pouvez vous les procurer en visitant notre site web à l'adresse [haierappliances.com](http://haierappliances.com).

- Cet appareil doit être relié à un système de câblage électrique permanent en métal, mis à la terre. Sinon, un fil de mise à la terre pour appareillage doit être installé et raccordé à la borne ou au fil de mise à la terre de l'appareil.
  - Un raccordement incorrect du fil de mise à la terre peut présenter un risque d'électrocution. Consultez un électricien ou un technicien qualifié si vous n'êtes pas certain que l'appareil est correctement mis à la terre.
  - Veuillez vous débarrasser de la façon appropriée de vos vieux électroménagers et des matériaux d'emballage ou d'expédition.
  - Ne tentez pas de réparer ou de remplacer une pièce quelconque de votre lave-vaisselle, à moins que cela ne soit spécifiquement recommandé dans le présent manuel. Confiez toutes les autres réparations à un technicien qualifié.
  - Utilisez uniquement un nécessaire de cordon électrique WX09X70910 ou câblez directement sur le circuit électrique du domicile. L'omission d'observer cette instruction peut causer un risque d'incendie ou de blessure.
  - Pour réduire au minimum les risques d'électrocution, débranchez l'appareil de sa source d'alimentation avant d'en effectuer l'entretien.
- REMARQUE :** Le fait d'arrêter le lave-vaisselle ne coupe l'alimentation électrique de l'appareil. Nous vous recommandons de confier la réparation de votre électroménager à un technicien qualifié.

### ▲ AVERTISSEMENT LORS DU FONCTIONNEMENT DE VOTRE LAVE-VAISSELLE, PRENEZ LES PRÉCAUTIONS DE BASE, NOTAMMENT LES SUIVANTES :

- N'utilisez cet appareil que pour l'usage pour lequel il a été conçu, comme expliqué dans le présent manuel.
- Utilisez uniquement un détergent ou un agent mouillant recommandés pour utilisation dans un lave-vaisselle et tenez-les à l'écart des enfants. L'utilisation d'un détergent non conçu pour les lave-vaisselles peut provoquer la formation de mousse.
- Placez les articles coupants de manière à ce qu'ils n'endommagent pas le joint d'étanchéité de la porte.
- Placez dans le panier à couverts les couteaux tranchants le manche vers le haut afin de réduire les risques de coupures.
- Ne lavez pas les articles en plastique à moins qu'ils ne portent la mention « Lavable au lave-vaisselle » ou l'équivalent. Si certains articles en plastique ne portent pas cette mention, reportez-vous aux recommandations du fabricant.
- Ne faites pas fonctionner le lave-vaisselle si tous les panneaux de la carrosserie n'ont pas été correctement réinstallés.
- Ne modifiez pas le fonctionnement des commandes.
- Abstenez-vous de vous asseoir, de vous accrocher ou de vous tenir sur la porte ou le panier du lave-vaisselle, ou d'en faire un emploi abusif de toute autre manière.
- Pour réduire le risque de blessure, ne laissez pas les enfants jouer avec l'électroménager, grimper dessus ou s'y introduire.
- Ne rangez ni n'utilisez des matières combustibles, y compris de l'essence ou d'autres liquides ou vapeurs inflammables, à proximité de cet appareil ou de tout autre.
- Les petites pièces représentent un risque d'étouffement pour les jeunes enfants si elles sont retirées du lave-vaisselle. Gardez-les à l'écart des jeunes enfants.

## LIRE ET CONSERVEZ CES DIRECTIVES

# CONSIGNES DE SÉCURITÉ

## CONSIGNES DE SÉCURITÉ IMPORTANTES LIRE TOUTES LES CONSIGNES AVANT D'UTILISER L'APPAREIL

### ⚠ AVERTISSEMENT SÉCURITÉ DU CHAUFFE-EAU

Dans certaines conditions, il peut se former de l'hydrogène dans un chauffe-eau qui n'a pas été utilisé pendant deux semaines ou plus. **L'HYDROGÈNE EST UN GAZ EXPLOSIF.**

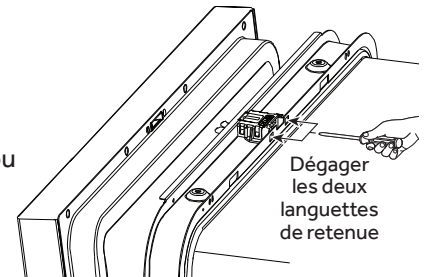
Si vous n'avez pas utilisé votre chauffe-eau pendant deux semaines ou plus, ouvrez tous les robinets d'eau chaude et laissez couler l'eau pendant plusieurs minutes afin de réduire les risques de dommages matériels ou de blessures. Prenez cette précaution avant même d'utiliser un électroménager raccordé au chauffe-eau pour éliminer l'hydrogène qui pourrait s'y être accumulé. Puisqu'il s'agit d'un gaz inflammable, ne fumez pas ou n'utilisez pas une flamme nue ou un électroménager au cours de ce processus.

### ⚠ AVERTISSEMENT RISQUE DE SUFFOCATION POUR UN ENFANT COINCÉ À L'INTÉRIEUR DE L'APPAREIL

#### ÉLIMINATION APPROPRIÉE DU LAVE-VAISSELLE

Les lave-vaisselle jetés ou abandonnés sont dangereux... même si vous ne les laissez là que pour quelques jours. Si vous voulez jeter votre lave-vaisselle, veuillez suivre les directives ci-dessous pour éviter les accidents.

- Ne laissez pas les enfants jouer avec, sur, le lave-vaisselle, ou à l'intérieur de celui-ci ou de tout autre électroménager mis aux rebus.
- Enlevez la porte du compartiment de lavage ou enlevez le verrou en dégageant les deux languettes de retenue à l'aide d'un tournevis à lame plate (comme illustré).



### ⚠ ATTENTION POUR ÉVITER LES BLESSURES MINEURES OU LES DOMMAGES MATÉRIELS

- Pendant ou après le cycle de lavage, le contenu peut s'avérer très chaud au toucher. Manipulez-le avec soin.
- Une surveillance attentive est nécessaire lorsque cet appareil est utilisé par ou près des enfants. Ne laissez pas les enfants jouer à proximité du lave-vaisselle lorsque vous la fermeture de la porte, la fermeture de la crémaillère supérieure, ou tout réglage en hauteur du panier supérieur afin d'éviter que leurs petits doigts se coincent.
- Articles autres que la vaisselle : ne lavez pas dans le lave-vaisselle des articles comme des filtres de purificateur d'air, des filtres de systèmes de chauffage ou des pinceaux. Vous pourriez endommager le lave-vaisselle et provoquer une décoloration ou des taches dans l'appareil.

### ⚠ ATTENTION EXIGENCES ÉLECTRIQUES

- Cet appareil électroménager doit être alimenté par du courant de 120V, 60 Hz, et branché à un circuit de dérivation bien mis à la terre, protégé par un fusible à retardement ou un disjoncteur de 15 ou 20 ampères.
- Si l'alimentation électrique fournie ne remplit pas les caractéristiques ci-dessus, nous vous recommandons de faire installer par un électricien qualifié une bonne prise.
- Le circuit de votre lave-vaisselle ne doit être utilisé par aucun autre appareil électroménager quand le lave-vaisselle fonctionne, car le lave-vaisselle nécessite toute la capacité du circuit.

### ⚠ AVIS

- Si votre lave-vaisselle est branché sur un circuit relié à un interrupteur mural, assurez-vous d'actionner celui-ci avant d'utiliser votre appareil.
- Si vous fermez l'interrupteur mural entre les cycles de lavage, attendez de 5 à 10 secondes après avoir ramené l'interrupteur à marche avant d'appuyer sur la touche **Start** (Marche) pour permettre aux commandes de se réinitialiser.
- N'utilisez que les détergents et agents de rinçage liquides, en poudre ou en tablette ou les **Finish® Quantum® Automatic Dishwashing Detergent** recommandés pour les lave-vaisselle et gardez-les hors de la portée des enfants. Les détergents pour lave-vaisselle **Finish® Quantum® Automatic Dishwashing Detergent** et les agents de rinçage **Finish® Jet-Dry® Rinse Aid** sont approuvés avec les lave-vaisselle Haier Appliances.

## LIRE ET CONSERVEZ CES DIRECTIVES

# UTILISATION DU LAVE-VAISSELLE

Les caractéristiques et l'apparence des appareils varient tout au long de ce manuel selon les modèles



## 1 CHARGER LE LAVE-VAISSELLE

Pour de meilleurs résultats de lavage, suivez les directives de chargement dans la section **Chargement**. Aucun pré-rinçage des dépôts alimentaires normaux n'est nécessaire. Enlevez les dépôts durs, notamment les os, les cure-dents, la peau et les graines. Enlevez les légumes-feuilles, les parties non comestibles de la viande et les quantités excédentaires de graisse ou d'huile.

## 2 AJOUTER LE DÉTERGENT

Ajoutez la quantité de détergent requise dans le distributeur à détergent. Utilisez un détergent du type **Finish® Quantum® Automatic Dishwashing Detergent**. Consultez la section **Distributeurs**.

## 3 AJOUTER LE PRODUIT DE RINÇAGE

Ajoutez le produit de rinçage **Finish® Jet-Dry® Rinse Aid** dans le distributeur. Consultez la section **Distributeurs**.

**REMARQUE** : L'utilisation d'un produit de rinçage peut améliorer davantage l'efficacité de séchage du lave-vaisselle.

## 4 SÉLECTIONNER LE CYCLE

Ouvrez la porte et appuyez sur la touche **Cycle Select** pour choisir le cycle de lavage désiré. Le voyant vis-à-vis de la touche **Cycle Select** s'allumera pour indiquer le cycle qui a été choisi. **REMARQUE** : La durée des cycles dépend du degré de saleté, de la température de l'eau et des options sélectionnées. Le cycle doit être sélectionné même si la porte est ouverte. Pour démarrer le cycle, il faut absolument appuyer sur le bouton **Start** et fermer la porte en moins de 4 secondes.

**AutoSense (DétectionAuto)** Ce cycle détecte automatiquement le degré de saleté et règle le cycle de lavage en conséquence. Il est conçu pour laver en totalité une pleine charge de vaisselle souillée sur une base quotidienne, régulière ou habituelle tout en économisant l'eau et l'énergie. **REMARQUE** : **AutoSense (DétectionAuto)** a été utilisé pour déterminer l'efficacité énergétique de ce lave-vaisselle. \*Plage de temps : 1 heure 30 minutes - 2 heures.

**Heavy (Très sale)** Ce cycle est destiné à la vaisselle et batterie de cuisine très sale, avec dépôts alimentaires séchés ou cuits. Ce cycle convient aussi à la vaisselle de tous les jours. \*Durée : 2 heure 10 minutes.

**Light (Légèrement sale)** Ce cycle est pour la vaisselle de légèrement saleté. Il est sûr pour la porcelaine et le cristal sans options sélectionnées. \*Durée : 48 minutes.

\*Durée du lavage seulement. Ne comprend pas la durée de séchage, la fonction Auto Hot Start (Démarrage automatique à chaud) ni les options. **REMARQUE** : Si la température de l'eau d'admission est trop basse, la fonction Auto Hot Start (Démarrage automatique à chaud) peut ajouter jusqu'à 11 minutes à la durée du cycle.

## 5 SÉLECTIONNER LES OPTIONS

**Wash Temp (Lavez temp)** Vous permet de sélectionner une température de lavage plus élevée. Ces options sont uniquement disponibles pour les cycles **Heavy (Très sale)** et **AutoSense (DétectionAuto)**. Appuyez sur la touche **Wash Temp (Lavez temp)** jusqu'à ce que le voyant vis-à-vis de l'option désirée s'allume.

**Boost (Augmenter)** Cette option augmente la température de l'eau et prolonge la durée du cycle afin d'obtenir une meilleure efficacité de lavage.

**Sanitize (Hygiénique)** Cette option élève la température de l'eau du rinçage final afin de désinfecter la vaisselle. La durée du cycle peut varier selon la température de l'eau d'admission. **REMARQUE** : Les cycles utilisant cette option sont surveillés pour satisfaire les critères de désinfection. S'il est interrompu pendant ou après la phase principale du lavage ou si la température de l'eau d'admission est si basse qu'un réchauffage adéquat ne peut être atteint, il se peut que les critères de désinfection ne soient pas satisfaits. Dans ces cas, le voyant Sanitized (Hygiénique) ne s'allumera pas à la fin du cycle. L'utilisation de cette option modifiera le cycle afin de satisfaire la norme 184, Section 6, de la NSF relative à l'élimination de la souillure et l'efficacité de la désinfection.

**REMARQUE** : Les lave-vaisselle à usage domestique certifiés NSF ne sont pas destinés aux établissements alimentaires commerciaux.

**Delay Start (Mise en marche différée)** Cette option vous permet de retarder d'un maximum de 12 heures le début d'un programme de lavage. Porte ouverte et cycle sélectionné, appuyez sur le pad **Delay Start (Mise en marche différée)** pour choisir de combien d'heures vous souhaitez différer le démarrage du cycle de lavage. Les heures apparaîtront sur l'affichage.

**REMARQUE** : Vous pouvez annuler la minuterie **Delay Start** en pressant la touche **Start** durant 3 secondes. Cela annulera aussi le cycle de lavage.

**Control Lock (Commande de verrouillage)** Vous pouvez verrouiller les commandes pour empêcher que des sélections ne soient effectuées. Vous pouvez aussi verrouiller les commandes après le démarrage d'un cycle pour empêcher une modification. Par exemple, cette option empêchera le démarrage accidentel du lave-vaisselle lorsqu'un enfant appuie sur des touches par inadvertance. **Pour VERROUILLER/DÉVERROUILLER** les commandes du lave-vaisselle, maintenez une pression sur les touches **Cycle Select** et **WashTemp** durant 3 secondes. Le voyant de verrouillage (🔒) s'allumera pour indiquer que les commandes sont verrouillées et il s'éteindra lorsqu'elles sont déverrouillées.

# UTILISATION DU LAVE-VAISSELLE

## 6 DÉMARRER LE LAVE-VAISSELLE

**Start (Démarrer)** Appuyez sur la touche **Start** pour débiter le cycle et fermez la porte moins de 4 secondes pour démarrer le cycle ou débiter le décompte de l'option **Delay Start** (Mise en marche différée). Le voyant **Start** s'allumera. Le cycle de lavage débitera au bout de 10 secondes puis vidangera durant 60 secondes avant de remplir le lave-vaisselle avec de l'eau. Pour activer l'affichage, appuyez sur n'importe quel bouton, porte ouverte.

**Interrupt ou Pause (Interruption ou pause)** Pour interrompre un cycle ou faire une pause, ouvrez la porte lentement. L'ouverture de la porte occasionnera une pause dans le cycle. Le lave-vaisselle émettra un bip à chaque minute pour vous rappeler de fermer la porte. Pour redémarrer ou poursuivre le cycle, appuyez sur **Start** puis fermez la porte dans les 4 secondes. Si la porte n'est pas fermée en moins de 4 secondes, le voyant **Start** commencera à clignoter et le lave-vaisselle émettra un bip toutes les minutes pour signaler l'absence de redémarrage. Le clignotement du voyant **Start** indique que le lave-vaisselle attend une sélection.

**Cancel (Annuler)** Pour annuler un cycle de lavage, maintenir une pression sur la touche **Start** bouton 3 secondes puis fermer la porte. Le lave-vaisselle se vidangera, émettra un bip, et le voyant du cycle de lavage s'éteindra.

## 7 VOYANTS DES INDICATEURS

**Sanitized (Hygiénique)** Voyant allumé à la fin du cycle lorsque **Wash Temp - Sanitize** (Lavez temp - Hygiénique) a été sélectionné et que le lave-vaisselle a satisfait aux critères de désinfection. Consultez la rubrique **Wash Temp - Sanitize** (Lavez temp - Hygiénique) pour une description complète de l'option. Le voyant s'éteindra dès l'ouverture de la porte.

**Clean (Nettoyer)** Ce voyant s'allume lorsque le cycle de lavage est terminé. Il reste allumé pour rappeler que la vaisselle est propre. Le voyant s'éteindra dès l'ouverture de la porte.

## 8 L'affichage

**Temps restant** Pendant le fonctionnement, l'affichage indique le nombre total de minutes qu'il reste à écouler dans le cycle. Lors d'une mise en marche différée, l'affichage indiquera le temps restant avant le démarrage du cycle.

## VÉRIFICATION DE LA TEMPÉRATURE DE L'EAU

L'eau qui alimente le lave-vaisselle doit être à une température d'au moins 49°C (120°F) et d'au plus 66°C (150°F) pour que l'action de lavage soit efficace et pour prévenir tout dommage à la vaisselle. Vérifiez la température de l'eau avec un thermomètre à bonbons ou à viande.

Ouvrez le robinet d'eau chaude le plus près du lave-vaisselle, placez le thermomètre dans un verre et laissez l'eau couler continuellement dans le verre jusqu'à ce que la température cesse d'augmenter.

## SABBAT/MODE D'ACTIVATION DE LA PORTE

Pour activer ou désactiver (ON/OFF) cette option, maintenez enfoncées les touches **Start** et **Wash Temp** bouton 5 secondes, fermez la porte et attendez 3 minutes que le lave-vaisselle passe en mode veille. Dans la position OFF, l'affichage et les sonorités des commandes et les lampes intérieures (certains modèles) ne répondront pas à l'ouverture ou la fermeture de la porte. Ce mode peut être utilisé lors de l'observation de certains rites religieux tels que le sabbat. Pour activer la commande et les lampes (certains modèles) intérieures, pressez n'importe quelle touche.

## MUET

Pour activer/désactiver les sons de commande du lave-vaisselle, appuyez 5 fois sur la touche **Wash Temp** en 5 secondes.

## DISTRIBUTEURS

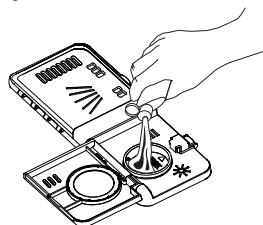
### Utilisation d'un produit de rinçage

Les produits de rinçage tels que **Finish® Jet-Dry® Rinse Aid** sont conçus pour une meilleure efficacité au séchage et une protection contre les taches et le film susceptibles de se former sur la vaisselle, la verrerie, la coutellerie, la batterie de cuisine et le plastique.

### Remplissage du distributeur

Le distributeur de produit de rinçage contient 115 ml (3,9 oz) de produit de rinçage. Dans des conditions normales de fonctionnement, cette quantité est suffisante pour environ un mois - selon le réglage.

- 1 Assurez-vous que la porte du lave-vaisselle est entièrement ouverte.
- 2 Ouvrez le couvercle du distributeur. (Le compartiment du produit de rinçage se trouve du côté droit du distributeur.)



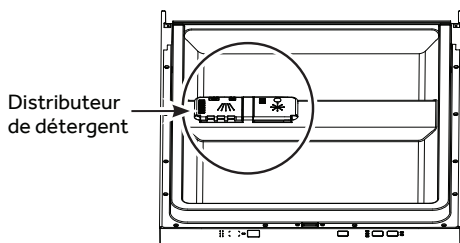
- 3 Ajoutez lentement le produit de rinçage jusqu'à remplir le contenant. Il se peut que vous deviez vous arrêter à quelques reprises pour permettre la décantation.
- 4 Nettoyez le produit de rinçage renversé avec un linge humide afin de prévenir la formation de mousse à l'intérieur du lave-vaisselle.
- 5 Fermez le couvercle du distributeur.

# UTILISATION DU LAVE-VAISSELLE

## DISTRIBUTEUR DE DÉTERGENT

Pour ouvrir, appuyez sur le bouton et le couvercle retournera. Le distributeur de détergent comporte deux compartiments. Le compartiment de pré-lavage est le plus petit compartiment sur le côté gauche. Utilisez le compartiment de pré-lavage uniquement lorsque l'eau est extrêmement dure ou que la vaisselle est très sale. Le compartiment de pré-lavage n'est pas utilisé lorsque du détergent en pastille ou en sachet est employé.

**REMARQUE :** N'obstruez pas le distributeur de détergent en plaçant des ustensiles trop larges ou longs à proximité.



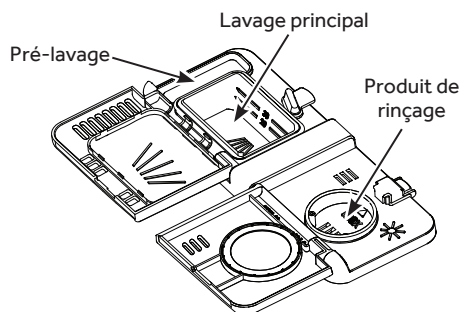
Vous pouvez utiliser du détergent à lave-vaisselle en tablettes, en poudre, en liquide ou en gel. Assurez-vous de n'utiliser que des détergents spécifiquement adaptés aux lave-vaisselle automatiques. N'utilisez jamais de détergent liquide pour le lavage de la vaisselle à la main. Si vous utilisez un détergent inadapté, il se formera de la mousse et le lavage ne sera pas optimal.

Il est important de conserver le détergent dans un endroit sec et dans son emballage d'origine afin qu'il ne perde pas de son efficacité. Par conséquent, ne versez le détergent dans le distributeur qu'au moment de mettre le lave-vaisselle en marche, puis fermez le couvercle. Le couvercle s'ouvrira pendant le programme.

## REPLISSAGE DU DISTRIBUTEUR DE DÉTERGENT

Nous recommandons d'utiliser le détergent dans une tablette ou un paquet. Des essais indépendants ont démontré que ce type de détergent est très efficace dans le lave-vaisselle. **Finish® Quantum® Powerball®** est un exemple de ce type de détergent. Mettez simplement une tablette ou une dose dans le compartiment principal et faites glisser pour fermer le couvercle du compartiment à détergent. Veuillez noter que la tablette ou la dose doit être placée dans le compartiment principal de détergent. Si la tablette ou la dose est déposée dans le compartiment de pré-lavage ou au fond du lave-vaisselle, le détergent sera éliminé très rapidement et sera donc inutilisé. Les performances de lavage seront alors très mauvaises.

Si vous choisissez d'utiliser un détergent en poudre, liquide ou en gel, la quantité utilisée sera fonction de la dureté et de la température de votre eau ainsi que de degré de salissure de votre vaisselle. Contactez votre compagnie distributrice des eaux pour obtenir des informations sur la dureté de l'eau dans votre région. La dureté de l'eau se mesure en grains par gallon. Utilisez cette information et le tableau ci-dessus pour déterminer la quantité de détergent à utiliser. Vous pouvez également acheter des bandes tests de dureté de l'eau auprès de Haier Appliances. Appelez le 877-337-3639 et demandez le numéro de pièces **WD01X10295**. Au Canada, composez le 800-661-1616.

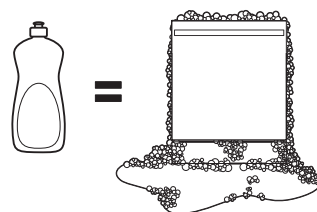


Utilisez le tableau comme point de départ puis ajustez la quantité de détergent que vous utilisez. Utilisez juste assez de détergent pour obtenir une qualité de lavage adéquate. L'utilisation de la quantité appropriée procurera une excellente qualité de lavage sans gaspiller de détergent ou attaquer la verrerie.

Nombre de grains/gal.	Niveau de compartiment(s) de détergent à remplir
Moins de 5	Remplissez le compartiment principale jusqu'à la ligne 20
5 à 10	Remplissez le compartiment principale jusqu'à la ligne 30
Plus de 10	Remplissez le compartiment principal et celui du pré-lavage

L'utilisation de trop de détergent avec une eau trop douce et/ ou trop chaude peut attaquer chimiquement votre verrerie. Le « voile » qui en résulte affectera votre verrerie en permanence. Cette situation est irréversible. Toutefois, trop peu de détergent peut affecter les performances de lavage.

## N'UTILISEZ PAS DE DÉTERGENT LIQUIDE POUR LE LAVAGE DE LA VAISSELLE À LA MAIN



**REMARQUE :** Si vous utilisez un détergent qui n'est pas conçu pour les lave-vaisselle, il se formera de la mousse à l'intérieur de l'appareil. Pendant le fonctionnement, cette mousse sortira par les événements de l'appareil et s'écoulera sur le plancher de cuisine.

Comme bon nombre de contenants de détergent se ressemblent, rangez le détergent pour lave-vaisselle à part de vos autres produits nettoyants. Montrez le bon détergent à toute personne susceptible d'utiliser le lave-vaisselle, ainsi que l'endroit où vous le gardez.

Même si l'utilisation d'un détergent non conçu pour les lave-vaisselle automatiques ne risque pas de causer des dommages permanents à votre appareil, votre vaisselle ne sera pas aussi propre.

# UTILISATION DU LAVE-VAISSELLE

Pour un lavage optimal, veuillez suivre les lignes directrices ci-dessous pour le chargement des paniers. Les caractéristiques et l'apparence des paniers et du panier à couverts peuvent être différentes de celles de votre modèle.

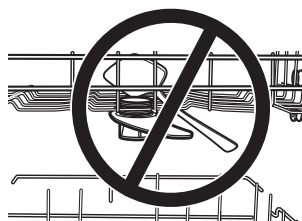
## PANIER SUPÉRIEUR

Le panier supérieur est destiné aux verres, aux tasses et aux soucoupes. C'est aussi un endroit sûr pour les articles de plastique qui vont au lave-vaisselle. Le panier supérieur peut être utilisé pour les ustensiles aux dimensions spéciales. Les poêlons, les bols à mélanger et d'autres articles de taille similaire doivent être placés à l'envers pour un meilleur résultat de lavage.

Un support à tasses s'abaisse et se relève pour plus de souplesse.



**IMPORTANT :** Il est important de faire en sorte que les articles ne dépassent pas du bas du panier pour ne pas gêner la rotation du bras gicleur supérieur. Cette situation pourrait causer du bruit pendant le fonctionnement et/ou un lavage de piètre qualité.



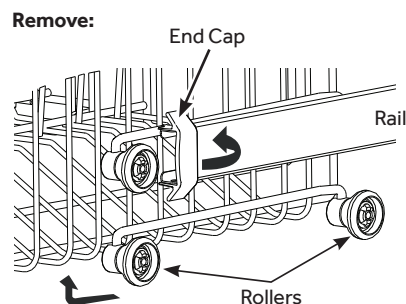
## PANIER SUPÉRIEUR - AJUSTEMENT

**⚠ ATTENTION** Un panier supérieur chargé peut être plus lourd qu'il ne semble. Évitez de soulever ou d'abaisser ce panier s'il est chargé afin d'éviter les blessures et d'endommager son contenu.

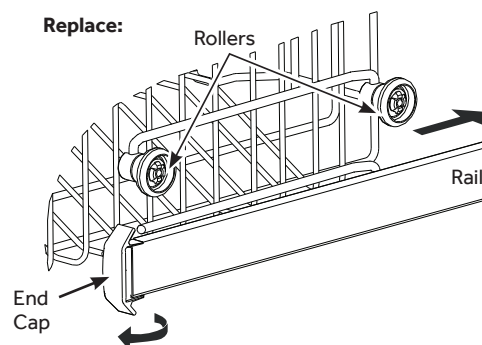
Le panier supérieur peut être ajusté pour recevoir les articles de plus grande taille.

Pour ajuster le panier supérieur :

- 1 L'allonger complètement et tourner ouvrir les deux capuchons d'extrémité en plastique à l'avant des rails.



- 2 Enlever le panier supérieur.
- 3 Sélectionnez le jeu de roulettes sur le côté du panier qui procure la hauteur désirée, puis réinstaller le panier en guidant les rails entre le jeu de roulettes approprié.



- 4 Panier installé, tournez fermer les deux capuchons, en vous assurant que leur fermoir est bien engagé. Le défaut de bien engager les capuchons d'extrémité peut entraîner la chute du panier du lave-vaisselle.



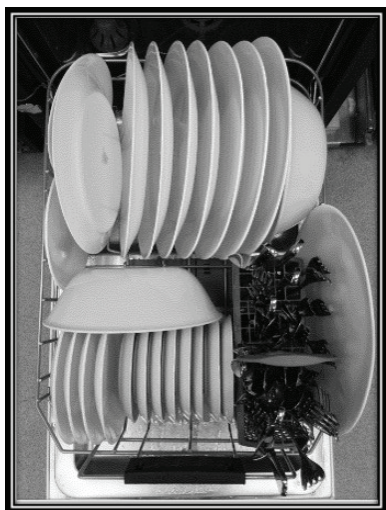
# UTILISATION DU LAVE-VAISSELLE

Pour un lavage optimal, veuillez suivre les lignes directrices ci-dessous pour le chargement des paniers. Les caractéristiques et l'apparence des paniers et du panier à couverts peuvent être différentes de celles de votre modèle.

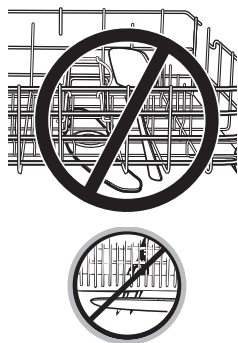
## PANIER INFÉRIEUR

**Ne placez pas de grandes assiettes ou de gros plateaux dans le avant gauche du panier inférieur.** Ils peuvent empêcher la distribution du détergent pendant le programme de lavage.

Le panier inférieur est conçu pour les assiettes, les soucoupes et les ustensiles de cuisson. Placez les articles plus gros sur les côtés. Placez les assiettes, les casseroles et les bols sur les côtés, dans les coins ou vers l'arrière du panier, la surface souillée orientée vers le centre du panier.



**IMPORTANT :** Faire en sorte que les articles ne dépassent pas du bas du panier ou du panier à couverts pour ne pas gêner la rotation du bras gicleur inférieur. Cette situation pourrait causer du bruit pendant le fonctionnement et/ou un lavage de piètre qualité.

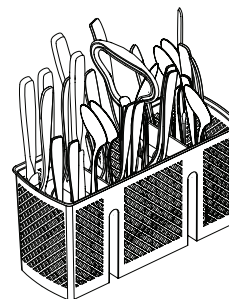


## PANIER À COUVERTS

Vous pouvez utiliser le panier à couverts sans topper pour accélérer le chargement. Avec le topper, les couverts sont mieux placés dans le lave-vaisselle pour améliorer le lavage et le séchage en empêchant les articles de s'entasser les uns contre les autres.

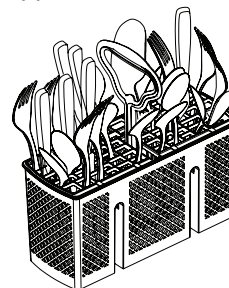
### Sans le topper

Placez les couverts dans le panier amovible, le manche des fourchettes et des couteaux vers le haut, afin d'éviter toute blessure aux mains. Placez les cuillères dans le panier, le manche vers le bas. Mélangez les couteaux, les fourchettes et les cuillères afin qu'ils ne s'entassent pas les uns contre les autres. Répartissez-les de façon uniforme. Placez les petits articles en plastique, comme les cuillères à mesurer et les couvercles de petits contenants, dans le fond du panier à couverts et ajoutez des articles par-dessus pour les immobiliser.



### Avec le topper

Placez les petits articles en plastique, comme les cuillères à mesurer et les couvercles de petits contenants, dans le fond du panier et installez le topper du panier en place. Insérez les cuillères et les fourchettes, le manche vers le bas, dans les orifices du topper. Placez les couteaux, le manche vers le haut, dans les orifices du topper.



**IMPORTANT :** Ne chargez pas d'ustensiles de grande ou de grande taille à un endroit où ils pourraient bloquer le distributeur de détergent ou le bras d'aspersion du supérieur. Cette situation pourrait causer du bruit pendant le fonctionnement et/ou un lavage de piètre qualité.

# ENTRETIEN ET NETTOYAGE

## TABLEAU DE COMMANDE

Pour nettoyer le tableau de commande, utilisez un chiffon doux légèrement humide, puis asséchez-le.

## PANNEAU DE LA PORTE

Avant de nettoyer le panneau avant de la porte, vérifiez de quel type de panneau il s'agit. Vérifiez les deux dernières lettres de votre numéro de modèle. Vous trouverez le numéro de votre modèle sur la paroi gauche de la cuve, tout juste à l'intérieur de la porte. Si votre numéro de modèle se termine par les lettres BB ou WW votre appareil est doté d'un panneau de porte peint. Si votre numéro de modèle se termine par les lettres SS, votre appareil est doté d'un panneau de porte en acier inoxydable.

Veillez suivre les directives ci-dessous pour nettoyer le panneau de porte de votre modèle.

**Panneau de porte peint** (numéro de modèle se terminant par BB-noir ou WW-blanc)

Utilisez un chiffon doux et propre légèrement humide, puis séchez.

N'utilisez pas de tampon à récurer ou de poudre nettoyante, car ils peuvent rayer la surface.

**Panneau de porte en acier inoxydable** (numéro de modèle se terminant par SS)

**Pour faire disparaître la rouille**, le ternissement et les petites imperfections, utilisez des nettoyants à l'acide oxalique tels que Bar Keepers Friend Soft Cleanser™. Utilisez uniquement un nettoyant liquide exempt d'abrasif et frottez dans la direction des lignes de brosse à l'aide d'une éponge douce humide. N'utilisez pas de cire ou de produit à polir pour électroménagers sur l'acier inoxydable.

**Pour faire disparaître d'autres imperfections ou marques**, utilisez le nettoyant Stainless Steel Magic ou un produit similaire avec un linge doux humide. N'utilisez pas de cire pour électroménagers, d'agents polissants, de javellisants ni de produits chlorés sur l'acier inoxydable. Vous pouvez commander le produit nettoyant Stainless Steel Magic (no WX10X29) auprès du service des Pièces Haier Appliances en composant le 877-337-3639. Au Canada, composez le 800-661-1616.

## L'INTÉRIEUR DU LAVE-VAISSELLE

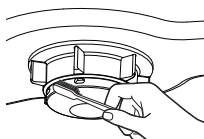
Pour nettoyer et désodoriser votre lave-vaisselle, utilisez de l'acide citrique ou le produit **Finish® Dishwasher Cleaner**, un additif détergent. **Finish® Dishwasher Cleaner** délogera les dépôts minéraux et fera disparaître la pellicule et les taches d'eau dure.

Vous pouvez commander de l'acide citrique n° WD35X151 au service des Pièces de Haier Appliances au numéro 877-337-3639 ou sur le site [haierappliances.com](http://haierappliances.com). Au Canada, composez le 800-661-1616. Vous pouvez vous procurer le produit **Finish® Dishwasher Cleaner** chez votre épicerie ou.

## TÊTE DE GICLEUR SUPÉRIEURE

**NE retirez PAS la tête de gicleur supérieure.**

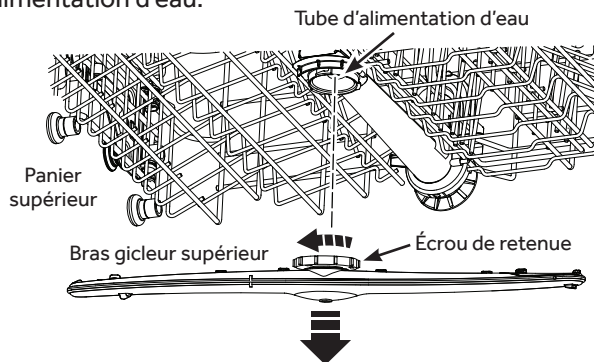
Nettoyez à l'eau chaude savonneuse à l'aide d'une petite brosse en soies.



## BRAS GICLEURS

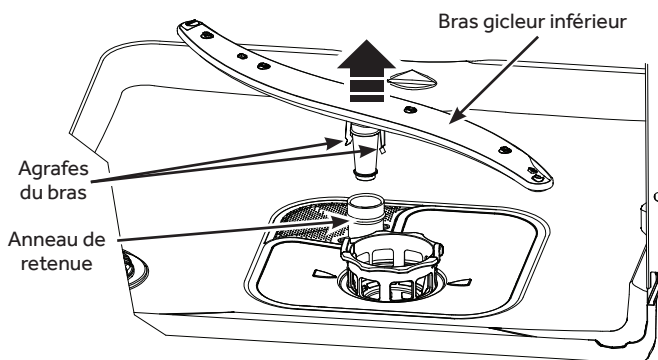
Étant donné que les minéraux que contient une eau dure peuvent obstruer les orifices des bras gicleurs et les coussinets, il faut nettoyer régulièrement les bras gicleurs. Lavez les bras gicleurs dans de l'eau chaude savonneuse et utilisez une brosse douce pour nettoyer les orifices. Après les avoir rincés à fond, remettez-les en place.

**Pour retirer le bras gicleur supérieur**, tournez l'écrou de retenue de 45° et tirez le bras gicleur hors du tube d'alimentation d'eau.



**IMPORTANT :** Lors de la remise en place, assurez-vous de tourner l'écrou de retenue fermement pour le verrouiller sur le tube d'alimentation d'eau. Assurez-vous que le bras gicleur est solidement fixé et qu'il pivote librement.

**Pour retirer le bras gicleur inférieur**, enlevez le panier inférieur et levez le bras gicleur vers l'extérieur.

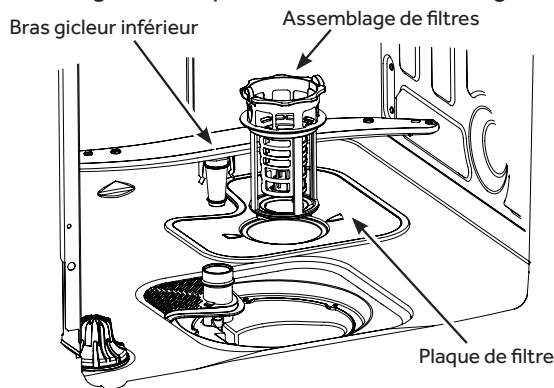


**IMPORTANT :** Lors de la remise en place, assurez-vous de placer les agrafes du bras au-dessus de l'anneau de retenue. Assurez-vous que le bras gicleur est solidement fixé et qu'il pivote librement.

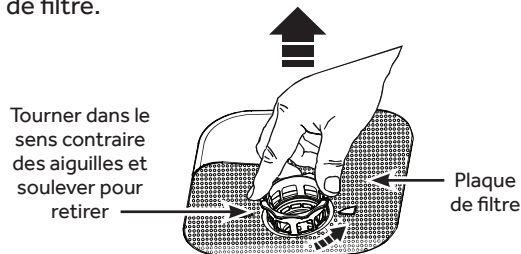
# ENTRETIEN ET NETTOYAGE

## ASSEMBLAGE DE FILTRE

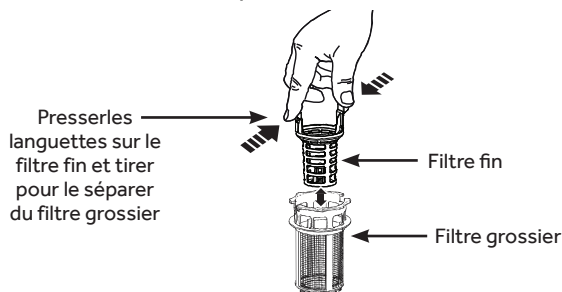
Inspectez et nettoyez les filtres régulièrement. Il importe de le faire tous les mois ou plus souvent selon l'usage. Le besoin de nettoyer les filtres se remarque par une performance moindre de lavage ou lorsque la vaisselle semble rugueuse.



Pour nettoyer l'assemblage de filtre, retirez le panier inférieur et le bras gicleur inférieur. Tournez l'assemblage de filtre dans le sens antihoraire et le soulever pour le retirer. Enlever la plaque de filtre.

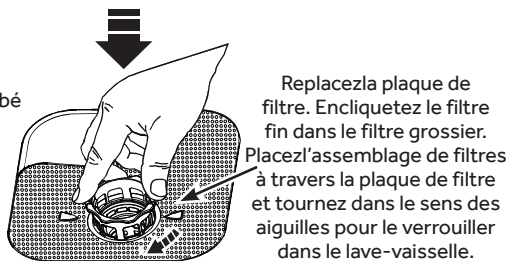


Rincez les filtres à l'eau chaude savonneuse. L'utilisation de tampons à récurer ou de brosses peut rayer le filtre. Utiliser une brosse douce ou une éponge pour enlever la saleté rebelle ou les dépôts de calcium laissés par l'eau dure.



Une fois nettoyés, remplacez la plaque de filtre, insérez l'assemblage de filtres à travers la plaque et tournez dans le sens des aiguilles jusqu'à verrouiller en place. Assurez-vous que les filtres sont insérés à fond car un remplacement incorrect des filtres peut réduire l'efficacité globale de l'appareil. Remplacez le bras gicleur inférieur et le panier inférieur.

**IMPORTANT :** Avant de replacer, assurez-vous qu'aucun objet n'est tombé dans l'orifice dans le fond du lave-vaisselle.



## PORTE INTÉRIEURE EN ACIER INOXYDABLE ET D'UN BAIN

L'acier inoxydable utilisé pour fabriquer la cuve et la porte intérieure du lave-vaisselle procure la plus haute fiabilité dans la gamme des lave-vaisselle Haier Appliances.

Si la cuve et la porte intérieure du lave-vaisselle devaient être rayées ou ébréchées dans le cours d'un usage normal, elles ne rouilleront pas pour autant. Les dommages en surface n'affecteront pas leur fonction et leur durabilité.

## PROTECTION CONTRE LE GEL

Si vous laissez votre lave-vaisselle dans un endroit non chauffé pendant l'hiver, demandez à un technicien d'effectuer les tâches qui suivent :

- 1 Enlever l'alimentation électrique du lave-vaisselle. Enlever les fusibles ou déclencher les disjoncteurs.
- 2 Couper l'alimentation en eau et débrancher la conduite d'alimentation en eau de l'électrovanne.
- 3 Vidanger l'eau de la conduite d'alimentation et de l'électrovanne (utiliser un récipient pour recueillir l'eau)
- 4 Rebrancher la conduite d'alimentation en eau à l'électrovanne de l'appareil.

## VOTRE LAVE-VAISSELLE EST-IL DOTÉ D'UNE COUPURE ANTIREFOULEMENT?

Une coupure antirefoulement protège votre lave-vaisselle contre les refoulements d'eau lors d'un blocage du renvoi. Ce dispositif ne fait pas partie du lave-vaisselle. Il n'est pas couvert par votre garantie. Puisque tous les codes de plomberie n'exigent pas de coupures antirefoulement, il est possible que vous n'ayez pas un tel dispositif.

Coupure antirefoulement



Vérifiez la coupure antirefoulement dès que votre lave-vaisselle ne se vide pas bien.

**Il est facile de nettoyer la coupure antirefoulement :**

- 1 Arrêtez le lave-vaisselle et enlevez le couvercle de la coupure antirefoulement.
- 2 Enlevez le capuchon en plastique sous le couvercle et nettoyez-le à l'aide d'un cure-dents.
- 3 Remplacez le capuchon et le couvercle une fois la coupure antirefoulement nettoyée.

# CONSEILS DE DÉPANNAGE

Problème	Causes possibles	Correctifs
Le voyant d'état Start clignote	La porte a été ouverte ou le cycle a été interrompu.	Appuyez sur le bouton <b>Start</b> une fois puis fermez la porte en moins de 4 secondes pour démarrer le lave-vaisselle. Appuyez une deuxième fois sur la touche <b>Start</b> bouton que le lave-vaisselle est en marche pour annuler le programme.
Le lave-vaisselle fait entendre un signal sonore (BIP) toute le chaque minute	Ce signal vous rappelle que vous avez ouvert la porte du lave-vaisselle pendant le fonctionnement. Le signal se fera entendre jusqu'à ce que vous fermiez la porte et appuyez sur <b>Start</b> .	Appuyez sur <b>Start</b> et fermer la porte.
Un signal sonore se fait entendre à la fin du programme	Ce phénomène est normal. Le lave-vaisselle fait entendre signaux sonores à la fin du.	Un signal sonore se fait entendre (sauf interruption) et le voyant <b>Clean</b> s'allume à la fin du programme de lavage.
La vaisselle et les couverts ne sont pas propres	Assemblage de filtre est obstrué	Voir la section <b>ENTRETIEN ET NETTOYAGE</b> .
	La température de l'eau est trop basse	Assurez-vous que la température de l'eau qui alimente le lave-vaisselle est correcte (Voir la section <b>UTILISATION DU LAVE-VAISSELLE</b> ). Ouvrez le robinet d'eau chaude situé le plus près du lave-vaisselle, puis laissez couler l'eau jusqu'à ce que la température cesse de grimper. Mettez ensuite le lave-vaisselle en marche et fermez le robinet. Vous aurez ainsi la certitude que l'eau qui alimente le lave-vaisselle est chaude. Sélectionnez l'option <b>Wash Temp - Boost</b> .
	Faible pression d'eau temporaire	Ouvrez un robinet. Le débit d'eau est-il plus faible que d'habitude? Si tel est le cas, attendez que la pression revienne à la normale avant d'utiliser votre lave-vaisselle. La pression d'eau normale du lave-vaisselle doit se situer en 20 et 120 lb/po2.
	Coupure anti-refoulement ou broyeur à déchets obstrués	Nettoyez la coupure anti-refoulement ou rincez le broyeur à déchets.
	Boucle de drainage secondaires ou la coupure anti-refoulement n'est pas installé	Reportez-vous aux instructions d'installation pour l'installation du tuyau d'évacuation adéquat.
	Chargement incorrect des paniers	Assurez-vous que les articles de grande dimension ne bloquent pas le distributeur de détergent ou les bras gicleurs. Reportez-vous à la section <b>Chargement des paniers du lave-vaisselle</b> .
	Détergent donnant de mauvais résultats	Utilisez un détergent reconnu comme <b>Finish® Quantum® Automatic Dishwashing Detergent</b> .
Taches et pellicule sur les verres et les couverts	Eau extrêmement dure	Utilisez le produit de rinçage <b>Finish® Jet-Dry® Rinse Aid</b> pour faire prévenir les taches et prévenir la formation d'une pellicule. Si l'eau est très dure, un adoucisseur peut s'avérer nécessaire.
	Basse température de l'eau	Assurez-vous que la température de l'eau atteint au moins 49 °C (120 °F).
	Le lave-vaisselle est mal ou trop chargé	Placez la vaisselle dans l'appareil de la façon indiquée à la section <b>Chargement des paniers du lave-vaisselle</b> .
	Le lave-vaisselle est ou humide	Utilisez du détergent frais. Utilisez un détergent hautement coté tel que <b>Finish® Quantum® Automatic Dishwashing Detergent</b> .
	Distributeur de produit de rinçage vide	Remplissez avec un produit de rinçage tel que <b>Finish® Jet-Dry® Rinse Aid</b> .
	Trop peu de détergent ou détergent donnant de mauvais résultats	Assurez-vous d'utiliser une quantité correcte de détergent reconnu.
Voile sur la verrerie	Combinaison d'une eau trop douce et de trop de détergent	Ceci est une « attaque chimique » et est irréversible. Pour éviter ce phénomène, utilisez moins de détergent si votre eau est douce. Lavez la verrerie sur le programme le plus court possible.
	Détergent sans phosphate peu efficace	Voir <b>Une pellicule blanche sur la verrerie, la vaisselle en et les surfaces internes du lave-vaisselle</b> en dans la section <b>Conseils de dépannage</b> .
	Température de l'eau entrant dans le lave-vaisselle est supérieure à 150°F (66°C)	Ceci pour être une « attaque chimique ». Abaissez la température de l'eau.
Mousse dans la cuve	Mauvais détergent	Pour éviter la formation de mousse, n'utilisez qu'un détergent conçu pour les lave-vaisselle automatiques. L'utilisation des <b>Finish® Quantum® Automatic Dishwashing Detergent</b> est approuvée dans tous les lave-vaisselles Haier Appliances.
	Renversement de produit de rinçage	Essuyez immédiatement le produit de rinçage renversé.

# CONSEILS DE DÉPANNAGE

Problème	Causes possibles	Correctifs
Il reste du détergent dans les distributeurs	La vaisselle ou des ustensiles empêche l'accès au compartiment à détergent	Repositionnez la vaisselle afin que l'eau provenant du bras inférieur puisse atteindre le distributeur de détergent. Reportez-vous à la section <b>Chargement</b> . Repositionnez les ustensiles longs ou l'argenterie lourde susceptible de bloquer l'ouverture du couvercle du distributeur. Consultez la section <b>Chargement</b> .
Marques noires ou grises sur la vaisselle	Frottement d'ustensiles en aluminium sur la vaisselle	Faites disparaître ces marques à l'aide d'un produit nettoyant abrasif doux.
La vaisselle ne sèche pas	Porte non fermée immédiatement après l'allumage du voyant Clean (propre)	Pour un séchage correct, il faut ouvrir la porte du lave-vaisselle immédiatement après l'allumage du voyant <b>Clean</b> .
	Basse température de l'eau	Assurez-vous que la température de l'eau qui alimente le lave-vaisselle atteint au moins 49 °C (120 °F). Sélectionnez les options <b>Wash Temp Boost</b> (Lavez boost temp). Sélectionnez un programme dont l'action de lavage est plus puissante, comme <b>Heavy</b> (Très sale).
	Le robinet d'eau chaude est peut-être fermé	Assurez-vous que le robinet d'eau chaude (habituellement situé sous l'évier) est ouvert.
Commande a réagi aux entrées, mais le lave-vaisselle ne s'est jamais rempli d'eau	La porte n'est peut-être pas totalement fermée.	Assurez-vous que la porte soit bien fermée.
	Le robinet d'eau est peut-être fermé	Assurez-vous que le robinet d'eau (normalement sous l'évier) soit ouvert.
Taches à l'intérieur de la cuve	La présence d'une pellicule jaune ou brune peut être causée par des dépôts de fer dans l'eau	Le seul moyen de corriger ce problème consiste à installer un filtre spécial sur la conduite d'eau. Veuillez communiquer avec un fournisseur d'adoucisseurs d'eau.
	Pellicule blanche sur les surfaces internes – dépôts de minéraux causés par l'eau dure	Nous recommandons l'utilisation du produit de rinçage <b>Finish® Jet-Dry® Rinse Aid</b> pour empêcher la formation de dépôts de minéraux causés par l'eau dure. Faites fonctionner le lave-vaisselle en y versant de l'acide citrique pour enlever les dépôts de minéraux. Vous pouvez acheter ce produit au service des pièces de Haier Appliances (n° de pièce WD35X151). Pour obtenir les renseignements pour commander, reportez-vous à la dernière page. Sinon, acheter <b>Finish® Dishwasher Cleaner</b> et suivez les instructions sur l'étiquette.
Le lave-vaisselle ne fonctionne pas	Un fusible est grillé ou le disjoncteur est déclenché	Remplacez le fusible ou réenclenchez le disjoncteur. Débranchez tous les autres électroménagers du circuit.
	L'alimentation électrique est coupée	Dans certaines installations, l'alimentation électrique du lave-vaisselle est commandée par un interrupteur mural, souvent placé à côté de l'interrupteur du broyeur à déchets. Assurez-vous que l'interrupteur est à Marche.
	Les commandes sont verrouillées	Déverrouillez les commandes. Voir la section <b>Pour démarrer</b> .
	Réinitialisez les commandes de l'appareil.	Coupez l'alimentation électrique au (en déclenchant le disjoncteur ou en actionnant l'interrupteur mural) pendant 30 secondes, puis rétablissez l'alimentation électrique.
Les voyants du tableau de commande s'éteignent lorsque vous réglez les commandes	Délai trop long entre les choix des touches	Vous avez un délai de 30 secondes pour appuyer sur chaque touche. Pour allumer à nouveau le tableau de commande, appuyez sur une touche ou déverrouillez, puis verrouillez la porte.
Il reste de l'eau propre au fond de la cuve	La coupure anti-refoulement est obstruée.	Nettoyez la coupure anti-refoulement. Voir la section <b>ENTRETIEN ET NETTOYAGE</b> .
	Boucle de drainage secondaires ou la coupure anti-refoulement n'est pas installé	Reportez-vous aux instructions d'installation pour l'installation du tuyau d'évacuation adéquat.
Il reste de l'eau au fond de la cuve	Le renvoi est bloqué	Si vous avez une coupure anti-refoulement, nettoyez-la. Voir la section <b>ENTRETIEN ET NETTOYAGE</b> . Si l'eau du lave-vaisselle se vide dans un broyeur à déchets, faites fonctionner le broyeur pour le dégager. Vérifiez si l'évier de votre cuisine se vide correctement. S'il ne se vide pas, vous aurez peut-être besoin d'un plombier.

# CONSEILS DE DÉPANNAGE

Problème	Causes possibles	Correctifs
Le voyant SANITIZED ne s'allume pas à la fin du programme	Vous avez ouvert la porte et le programme a été interrompu pendant ou après le cycle de lavage principal	Il ne faut pas interrompre le programme pendant ou après le cycle de lavage principal.
	La température de l'eau qui alimente le lave-vaisselle est trop basse	Augmentez le réglage du chauffe-eau pour que la température de l'eau varie entre 49 °C (120 °F) et 66°C (150 °F).
Bruit	<b>Bruits de fonctionnement normaux:</b> Bip à la fin du cycle Ouverture du distributeur de détergent Entrée de l'eau dans le lave-vaisselle Arrêt et mise en marche du moteur à différents moments pendant le programme Les bras gicleurs démarrent et s'arrêtent à différents moments. Bruit de la pompe pendant la vidange de l'eau La pompe de vidange démarre et s'arrête à différents moments.	Tous ces bruits sont normaux. Aucun correctif n'est requis.
	Bruit causé par la vaisselle lorsque le bras gicleur tourne	Assurez-vous que les articles sont bien placés dans les paniers. Reportez-vous à la section <b>Chargement</b> .
	Les ustensiles frottent bruyamment contre la porte pendant le lavage.	Les ustensiles de grande taille peuvent être placés dans le panier supérieur pour éviter qu'ils percutent contre la porte intérieure durant le cycle de lavage.
Une pellicule blanche sur la verrerie, la vaisselle et les surfaces internes du lave-vaisselle	<b>Ce problème est probablement par une qualité détergent lave-vaisselle sans phosphate bas</b>	Pour éliminer cette pellicule blanche, faites fonctionner votre lave-vaisselle avec de l'acide citrique. Utilisez la trousse d'acide citrique n°WD35X151 disponible dans votre magasin le plus proche ou en ligne. Sinon, utilisez <b>Finish® Dishwasher Cleaner</b> trouvé à votre épicerie locale. Versez l'acide citrique dans le compartiment à détergent et fermez le couvercle. Placez dans le lave-vaisselle, la verrerie et la vaisselle propres mais recouvertes de la pellicule blanche. Ne mettez pas l'argenterie et les autres articles métalliques dans le lave-vaisselle. Faites fonctionner le lave-vaisselle sans détergent. La verrerie, la vaisselle et les surfaces intérieures du lave-vaisselle devraient ressortir propres. Un rinçage au vinaigre peut également être utilisé. Versez 1 tasse de vinaigre dans le lave-vaisselle après ouverture du compartiment à détergent et laissez le lave-vaisselle terminer le programme. L'utilisation d'un agent de rinçage tel que <b>Finish® Jet-Dry® Rinse Aid</b> peut aider à minimiser la formation de cette pellicule. De plus, utilisez un détergent reconnu comme <b>Finish® Quantum® Automatic Dishwashing Detergent</b> qui peut éviter la formation de cette pellicule.

## VOUS AVEZ OUBLIÉ D'AJOUTER UN ARTICLE?

D'autres articles peuvent être ajoutés au lave-vaisselle en tout temps, idéalement peu de temps après le démarrage du cycle de lavage.

- 1 Ouvrez la porte pour interrompre le cycle. Tirez sur la poignée de la porte pour l'ouvrir.
- 2 N'ouvrez pas la porte jusqu'au bout tant que l'action de pulvérisation de l'eau n'a pas cessé. Il est possible que de la vapeur s'échappe du lave-vaisselle.
- 3 Ajoutez d'autres articles.
- 4 Appuyez sur **Start** et fermez la porte en moins de 4 secondes pour continuer le cycle.

# GARANTIE LIMITÉE

## haierappliances.com

Toutes les réparations sous garantie seront effectuées par nos centres de réparation ou nos réparateurs autorisés. Appelez le 877-470-9174. Veuillez fournir le numéro de série et le numéro de modèle lorsque vous appelez pour obtenir le service.

Pour le diagnostic, la réparation de votre appareil peut nécessiter l'utilisation du port de données embarqué. Celui-ci permet au technicien de réparation Haier Appliances de diagnostiquer rapidement des problèmes avec votre appareil. Il permet également à Haier Appliances d'améliorer ses produits en fournissant à ces derniers des informations sur votre appareil. Si vous ne voulez pas que les données de votre appareil soient envoyées à Haier Appliances, veuillez demander à votre technicien de NE PAS soumettre les données à Haier Appliances pendant la réparation.

Pour une période de :	Haier Appliances remplacera :
<b>Un an</b> Un an à partir de la date d'achat initial	<b>Toute pièce</b> du lave-vaisselle qui se casse à cause d'un vice de matériau ou de main-d'oeuvre. Au cours de cette <b>année de garantie limitée</b> , Haier Appliances fournira, <b>gratuitement</b> , toute la main-d'oeuvre et le service à la maison nécessaires pour remplacer la pièce défectueuse.

### Ce qui n'est pas couvert :

- Tout déplacement de service chez vous pour vous apprendre à utiliser votre lave-vaisselle.
- Toute mauvaise installation. Si vous avez un problème d'installation, appelez votre revendeur ou un installateur. Vous êtes responsable de fournir une bonne alimentation électrique, un bon échappement et tout autre branchement nécessaire.
- Toute panne du produit s'il a été malmené, mal utilisé ou utilisé à une autre fin que celle prévue ou utilisé commercialement.
- Tout remplacement des fusibles de la maison ou tout rebranchement des disjoncteurs.
- Tout dommage occasionné par un accident, un incendie, une inondation ou un acte de Dieu.
- Tout dommage subi après la livraison.
- Le service s'il est impossible d'avoir accès au produit pour ce faire.

### EXCLUSION DE GARANTIES IMPLICITES

Votre seul et unique recours est la réparation du produit selon les dispositions de cette Garantie limitée. Toutes les garanties implicites, incluant les garanties de commercialité et d'adéquation à un usage spécifique, sont limitées à une année ou à la période la plus courte autorisée par la législation.

Cette garantie limitée est valable pour le premier propriétaire et tout autre propriétaire du produit s'il acheté au Canada pour utilisation domestique au Canada. Le service à domicile sous garantie sera fourni là où il est disponible et dans les régions que Mabe considère que l'offre de service est raisonnable.

**LE GARANT N'EST PAS RESPONSABLE DES DOMMAGES CONSÉQUENTS.**

**Garant : MC Commercial Inc., Burlington, ON, L7R 5B6**

Agrafez le reçu d'achat ici. Pour obtenir le service sous garantie, vous devrez fournir la preuve de l'achat original

FRANÇAIS

# SERVICE À LA CLIENTÈLE

## Site Web de Haier Appliances

Vous avez une question ou vous avez besoin d'aide pour votre appareil électroménager? Visitez le site Web de Haier Appliances 24 heures par jour, tous les jours de l'année! Vous pouvez aussi y trouver d'autres formidables produits Haier Appliances et tirer avantage de tous nos services d'assistance en ligne. [haierappliances.com](http://haierappliances.com)

---

## Enregistrez votre électroménager

Enregistrez votre nouvel appareil en ligne au moment qui vous convient le mieux! L'enregistrement de votre produit dans les délais prescrits permet une meilleure communication et un service rapide, selon les modalités de votre garantie, si besoin est. Vous pouvez également envoyer par courrier la carte d'enregistrement pré-imprimée qui se trouve dans l'emballage de votre appareil.

Au Canada : 877-470-9174.

---

## Service de réparation

Un service de réparation expert Haier Appliances se trouve à quelques pas de chez vous. Rendez-vous sur notre site et programmez, à votre convenance, une visite de réparation à n'importe quel jour de l'année.

Au Canada : 877-470-9174.

---

## Pièces et accessoires

Les personnes ayant les compétences requises pour réparer elles-mêmes leurs appareils peuvent recevoir directement à la maison des pièces ou accessoires (les cartes VISA, MasterCard et Discover sont acceptées).

**Les instructions contenues dans le présent manuel comportent des procédures que tout utilisateur peut effectuer. Les autres types de réparation doivent généralement être confiés à un technicien qualifié. Usez de prudence : une réparation ou un entretien mal effectués peuvent rendre l'utilisation de l'appareil dangereuse.**

Les consommateurs au Canada doivent consulter les pages jaunes pour connaître le centre de service Mabe le plus proche ou composer le 800-661-1616.

---

## Communiquez avec nous

Si vous n'êtes pas satisfait du service de Haier Appliances, contactez-nous au 877-470-9174 et donnez-nous les détails ou écrivez à :

Au Canada : Director, Consumer Relations, Mabe Canada Inc. | Suite 310, 1 Factory Lane | Moncton, N.B. E1C 9M3



## Lavavajillas Empotrado 18"



# ÍNDICE

<b>INSTRUCCIONES DE SEGURIDAD</b> .....	<b>3</b>
<b>USO DEL LAVAVAJILLAS</b> .....	<b>5</b>
Puesta en Marcha .....	5
Dispensadores .....	6
Carga .....	8
<b>CUIDADO Y LIMPIEZA</b> .....	<b>10</b>
<b>CONSEJOS PARA LA SOLUCIÓN DE PROBLEMAS</b> .....	<b>12</b>
<b>GARANTÍA LIMITADA</b> .....	<b>15</b>
<b>SOPORTE AL CLIENTE</b> .....	<b>16</b>

## INFORMACIÓN A TENER EN CUENTA

Le agradecemos la compra de este producto de marca Haier. Este manual para el usuario le ayudará a obtener el mejor funcionamiento de su nueva lavavajillas.

Para referencia futura, anote el número de modelo y de serie en el cuadro el marco interior de la lavavajillas, y la fecha de compra.

Engrape la prueba de compra a este manual para asistirle cuando necesite obtener servicio bajo la garantía.

---

Nº de Modelo

---

Nº de Serie

---

Fecha de compra

# INSTRUCCIONES DE SEGURIDAD

## INFORMACIÓN IMPORTANTE DE SEGURIDAD LEA TODAS LAS INSTRUCCIONES ANTES DE USAR

**▲ADVERTENCIA** Para su seguridad, siga las instrucciones de este manual a fin de minimizar riesgos de incendio, explosión, descargas eléctricas, y para evitar daños en su propiedad, lesiones personales o la muerte.

### ▲ADVERTENCIA INSTALACIÓN Y MANTENIMIENTO ADECUADOS

Esta lavadora se deberá instalar y ubicar de acuerdo con las Instrucciones de Instalación antes de ser usada. Si no recibió una ficha de Instrucciones de Instalación con su lavavajillas, podrá acceder a una visitando nuestro sitio web en [haierappliances.com](http://haierappliances.com).

- Conecte el lavavajillas/ electrodoméstico a un sistema de cableado de metal permanente con conexión a tierra o se debe tender un conducto para la conexión a tierra del equipo con los conductores del circuito y conectado al terminal de tierra del equipo o al conductor de suministro del electrodoméstico.
- Una conexión inapropiada del conductor de conexión a tierra del equipo puede provocar riesgos de descargas eléctricas. Consulte a un electricista calificado o personal del servicio técnico si tiene dudas de que el electrodoméstico se encuentre conectado a tierra apropiadamente.
- Deshágase de forma correcta de electrodomésticos y materiales de envío o embalajes descargados.
- No intente reparar o reemplazar ninguna parte de la cocina, a menos que se lo recomiende específicamente en este manual. Cualquier otra reparación deberá ser realizada por un técnico calificado.
- Use sólo el kit de cables WX09X70910 o cables duros para la conexión eléctrica. Si no se siguen estas instrucciones, se pueden producir riesgos de incendio y lesiones personales.
- A fin de minimizar la posibilidad de descargas eléctricas, desconecte este electrodoméstico del suministro de corriente antes de intentar cualquier mantenimiento.  
**NOTA:** Apagar el lavavajillas no desconecta el electrodoméstico del suministro de corriente. Le recomendamos que el servicio técnico de su electrodoméstico sea realizado por un técnico calificado.

### ▲ADVERTENCIA AL USAR SU LAVAVAJILLAS, SIGA LAS PRECAUCIONES BÁSICAS, INCLUYENDO LO SIGUIENTE:

- Use este electrodoméstico sólo para su propósito original, como se describe en el Manual del Propietario.
- Use sólo detergentes o agentes humectantes recomendados para use con un lavavajillas y mantenga los mismos fuera del alcance de los niños. El uso de un detergente que no esté diseñado específicamente para lavavajillas hará que este último se llene de agua con jabón.
- Ubique artículos puntiagudos de modo que no haya posibilidades de daños sobre el sellador de la pueral.
- Cargue los cuchillos puntiagudos con los mangos hacia arriba, a fin de reducir el riesgo de lesiones por cortes.
- No lave productos de plástico, a menos que contengan una marca de seguridad en lavavajillas o su equivalente. Cuando se trate de productos de plástico que no estén marcados de esta manera, consulte las recomendaciones del fabricante.
- No use su lavavajillas a menos que todos los paneles de cercamiento estén correctamente en sus lugares.
- No manipule indebidamente los controles.
- No abuse, no se siente, no se sostenga ni se pare sobre la puerta o la bandeja del plato del lavavajillas.
- A fin de reducir el riesgo de incendios, no permita que los niños jueguen con, sobre o dentro de este electrodoméstico en cualquier momento.
- No guarde ni use materiales combustibles, incluyendo gasolina u otros líquidos o vapores inflamables cerca de éste o de otros electrodomésticos.
- Las piezas pequeñas pueden generar riesgos de asfixia en niños pequeños si son retirados del lavavajillas. Mantenga los mismos fuera del alcance de los niños pequeños.

## LEA Y GUARDE ESTAS INSTRUCCIONES

# INSTRUCCIONES DE SEGURIDAD

## INFORMACIÓN IMPORTANTE DE SEGURIDAD LEA TODAS LAS INSTRUCCIONES ANTES DE USAR

### ⚠ **ADVERTENCIA** SEGURIDAD DEL CALENTADOR DE AGUA

Bajo ciertas condiciones, se podrá producir gas de hidrógeno en un calentador de agua que no fue usado por dos semanas o más. **EL GAS DE HIDRÓGENO ES UN EXPLOSIVO.**

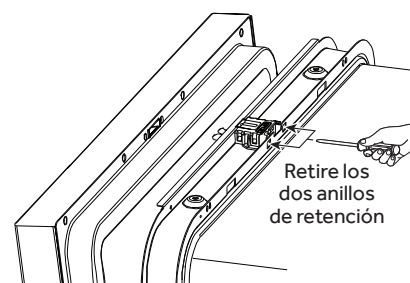
Si el agua caliente no se usó durante dos semanas o más, evite la posibilidad de daño o lesión abriendo todos los grifos de agua caliente y permitiendo que el agua corra durante varios minutos. Haga esto antes de usar cualquier artefacto eléctrico que esté conectado al sistema de agua caliente. Este procedimiento simple permitirá el escape de cualquier gas de hidrógeno acumulado. Debido a que el gas es inflamable, no fume, no use una llama abierta ni use el electrodoméstico durante este proceso.

### ⚠ **ADVERTENCIA** RIESGO DE QUE UN NIÑO QUEDE ATRAPADO

#### FORMA ADECUADA DE DESCARTAR EL LAVAVAJILLAS

Los lavavajillas tirados o abandonados son peligrosos...incluso aunque se conserven por "sólo unos pocos días". Si se deshará de su lavavajilla, siga las siguientes instrucciones a fin de evitar accidentes.

- No permita que los niños jueguen con, en, o dentro de éste o cualquier electrodoméstico que haya descartado.
- Retire la puerta del compartimento de lavado o quite la traba, retirando los dos anillos de retención con un destornillador de punta plana (como se muestra).



### ⚠ **PRECAUCIÓN** A FIN DE EVITAR LESIONES MENORES Y DAÑOS SOBRE LA PROPIEDAD

- Durante o después del ciclo de lavado, es posible que los contenidos estén calientes al tacto. Tenga cuidado antes de tomar los mismos.
- Se deberá estar especialmente atento si el electrodoméstico es usado por niños o se encuentra cerca de los mismos. No permita que los niños jueguen alrededor del lavavajillas cerrar la puerta, cerrar la bandeja superior, o mientras verticalmente ajustando la rejilla superior debido a la posibilidad de que sus dedos pequeños sean presionados.
- Productos que no sean utensilios: no lave artículos tales como filtros electrónicos de limpieza con aire, filtros de horno y brochas de pintura en su lavavajillas. Se podrán producir daños, decoloración o manchas sobre el lavavajillas.

### ⚠ **PRECAUCIÓN** REQUISITOS ELÉCTRICOS

- Este electrodoméstico deberá ser provisto con 120V, 60 Hz, y estar conectado a un circuito individual correctamente conectado a tierra, protegido por un disyuntor o fusible de retardo de 15 o 20 amp.
- Si el suministro de corriente provisto no cumple con las especificaciones anteriores, se recomienda que un electricista matriculado instale un tomacorriente aprobado.
- Su circuito del lavavajillas no debería ser usado para ningún otro electrodoméstico mientras el lavavajillas está funcionando, ya que éste requiere toda la capacidad del circuito.

### ⚠ **AVISO**

- Si el lavavajillas está conectado a un tomacorriente de pared, asegúrese de que el interruptor esté encendido antes del uso.
- Si decide apagar el interruptor entre ciclos de lavado, espere entre 5 y 10 segundos luego de encender el interruptor antes de presionar **Start** (Iniciar) para permitir que el control se inicie.
- Use sólo polvo, **Finish® Quantum® Automatic Dishwashing Detergent**, detergentes líquidos o agentes de enjuague recomendados para uso con un lavavajillas y mantenga los mismos fuera del alcance de los niños. El Detergente para Lavavajillas Automáticos **Finish® Quantum® Automatic Dishwashing Detergent**, y los agentes de enjuagues **Finish® Jet-Dry® Rinse Aid** fueron aprobados para su uso en todos los lavavajillas de Haier Appliances.

## LEA Y GUARDE ESTAS INSTRUCCIONES

# USO DEL LAVAVAJILLAS

Las funciones y la apariencia variarán a través de este manual.



## 1 CARGUE EL LAVAVAJILLAS

Para obtener mejores resultados con el lavavajillas, siga las pautas para la carga de los estantes que figuran en la sección **Carga** de los estantes del lavavajillas. No se requiere enjuague previo sobre la suciedad normal de comida. Raspe las suciedades duras, incluyendo huesos, palillos, pieles y semillas. Retire las verduras con muchas hojas, restos de carne, y cantidades excesivas de grasa o aceite.

## 2 AGREGUE DETERGENTE

Agregue la cantidad necesaria de detergente al dispensador de detergente. Use un detergente tal como **Finish® Quantum® Automatic Dishwashing Detergent**. Lea sobre el **Dispensadores** sección.

## 3 AGREGUE EL AGENTE DE ENJUAGUE

Agregue el agente de enjuague **Finish® Jet-Dry® Rinse Aid** en el dispensador del agente de enjuague. Lea sobre el **Dispensadores** sección. **NOTA:** El uso del abrillantador puede mejorar aún más el rendimiento del secado del lavavajillas.

## 4 SELECCIONE EL CICLO

Abra la puerta y presione la tecla **Cycle Select** (Selección del Ciclo) para realizar el ciclo de lavado deseado. La luz que se encuentra junto al botón **Cycle Select** (Selección de Ciclo) estará encendida para indicar qué ciclo de lavado ha sido seleccionado. **NOTA:** Los tiempos del ciclo varían de acuerdo con el nivel de suciedad, la temperatura del agua, y las opciones seleccionadas. El ciclo debe ser seleccionado con la puerta en la posición abierta. Este ciclo no se iniciará hasta que el botón **Start** (Iniciar) sea presionado y la puerta sea cerrada dentro de los 4 segundos.

**AutoSense** Este ciclo cuenta con un sensor automático del nivel de suciedad y ajusta el ciclo de lavado de forma proporcional. Está pensado para el uso diario, regular o típico a fin de lavar completamente una carga completa de platos normalmente sucios y fue diseñado para ahorrar tanto agua como corriente. **NOTA: AutoSense (DetecciónAuto)** Fue usado para medir el nivel de eficiencia de este lavavajillas. \*Rango de tiempo: 1 hora y 30 minutos – 2 horas.

**Heavy (Pesado)** Este ciclo se utiliza con platos, utensilios, cacerolas u ollas muy sucios y con suciedad seca u horneada. Es seguro usar los platos que utiliza a diario con este ciclo. \*Rango de tiempo: 2 hora y 10 minutos.

**Light (Suave)** Este ciclo es para platos ligeramente sucios. Es seguro para porcelana y cristal sin opciones seleccionadas. \*Tiempo: 48 minutos.

\*Sólo tiempo de lavado. No incluye el tiempo de secado, Auto Hot Start (Inicio con Calor Automático), u opciones. **NOTA:** Si la temperatura del agua entrante es demasiado baja, la función Auto Hot Start (Inicio con Calor Automático) podrá agregar hasta 11 minutos de tiempo adicional.

## 5 SELECCIONE OPCIONES

**Wash Temp (Temperatura de lavado)** Le permite seleccionar una temperatura de lavado superior. Estas opciones solo están disponibles para los ciclos **Heavy (Pesado)** y **AutoSense (Detección automática)**. Presione la tecla **Wash Temp** (Temperatura de lavado) hasta que la luz que se encuentra junto a la opción deseada se encienda.

**Boost (Aumento)** Esta opción eleva la temperatura del agua y extiende el tiempo del ciclo, a fin de lograr un mejor rendimiento durante el lavado.

**Sanitize (Desinfectar)** Esta opción aumenta la temperatura del agua en el enjuague final a fin de desinfectar su juego de platos. La duración del ciclo variará dependiendo de la temperatura del agua entrante. **NOTA:** Los ciclos que usan esta opción son monitoreados con relación a los requisitos de desinfección. Si el ciclo es interrumpido durante o después de la parte del lavado principal o si la temperatura del agua entrante es tan baja que no se puede lograr un nivel de calor adecuado del agua, es posible que no se cumpla con las condiciones de desinfección. En estos casos, la luz de Sanitized (Desinfectado) no se iluminará al final del ciclo. Utilizar esta opción modificará el ciclo para cubrir los requisitos de la Sección 6, NSF 184 para la eliminación de suciedad y eficiencia de la desinfección. **NOTA:** Los lavavajillas residenciales certificados por NSF no podrán ser usados en establecimientos de comidas con licencia.

**Delay Start (Retraso del Inicio)** Esta opción le permite retrasar el inicio de un ciclo de lavado hasta durante 24 horas. Con la puerta abierta y un ciclo seleccionado, presione el botón **Delay Start** (Retrasar del Inicio) para elegir la cantidad de horas que desea retrasar el inicio del ciclo de lavado. Las horas aparecerán en la ventada de la pantalla. **NOTA:** Usted puede cancelar el temporizador de **Delay Start** (Retraso del Inicio), manteniendo presionada la tecla **Start** (Inicio) durante 3 segundos. Esto también cancelará el ciclo de lavado.

**Control Lock (Bloqueo del Control)** Puede bloquear los controles para evitar que se haga cualquier selección. También puede bloquear los controles luego de haber comenzado un ciclo, a fin de evitar cambios en el ciclo. Por ejemplo: los niños no podrán iniciar de forma accidental el lavavajillas presionando los botones cuando esta opción haya sido seleccionada. **Para BLOQUEAR/ DESBLOQUEAR el control del lavavajillas**, mantenga presionadas las teclas **Cycle Select** (Selección de Ciclo) y **Wash Temp** (Temperatura de Lavado) durante 3 segundos. La luz de control de bloqueo (🔒) se encenderá para indicar que el control fue bloqueado y se apagará para indicar que el control se encuentra desbloqueado.

# USO DEL LAVAVAJILLAS

## 6 INICIO DEL LAVAVAJILLAS

**Start (Iniciar)** Presione la tecla **Start** (Inicio) y dentro de 4 segundos cierre la puerta para comenzar el ciclo o que comience la cuenta regresiva de **Delay Start** (Retraso del inicio). La luz **Start** (Iniciar) se iluminará. El ciclo de lavado comenzará después de 10 segundos y luego bombará durante 60 segundos antes de llenar de agua el lavavajillas. Para activar la pantalla, presione cualquier botón con la puerta abierta.

**Interrupt or Pause (Interrupción o Pausa)** Para interrumpir o pausar un ciclo de lavado, abra la puerta lentamente. Abrir la puerta hará que el ciclo de lavado quede pausado. El lavavajillas emitirá pitidos cada un minuto para recordarle que debe cerrar la puerta. Para reiniciar o reactivar el ciclo, presione **Start** (Iniciar), y cierre la puerta dentro 4 segundos. Si la puerta no es cerrada dentro de los 4 segundos, la luz **Start** (Iniciar) comenzará a titilar y el lavavajillas emitirá un pitido cada un minuto para indicar que el ciclo no se reinició. Si la luz **Start** (Iniciar) está titilando, el lavavajillas está esperando el ingreso.

**Cancel (Cancelar)** Para cancelar un ciclo de lavado, mantenga presionado el botón **Start** (Iniciar) por 3 segundos y cierre la puerta. El lavavajillas se drenará, emitirá un pitido, y la luz del ciclo de lavado quedará en apagado.

## 7 LUCES DEL INDICADOR

**Sanitized (Desinfectado)** Se muestra al final del ciclo cuando la función **Wash Temp - Sanitize** (Temperatura de lavado - Desinfectar) haya sido seleccionada y el lavavajillas haya cumplido con los requisitos de desinfección. Para una descripción completa de esta opción, lea **Wash Temp - Sanitize** (Temperatura de lavado - Desinfectar). Abrir la puerta hará que la luz se apague.

**Clean (Limpieza)** Se muestra cuando un ciclo de lavado fue completado. La luz permanece en encendido como recordatorio de que los platos están limpios. Abrir la puerta hará que la luz se apague.

## 8 PANTALLA

**Tiempo Restante** Durante el funcionamiento, la pantalla muestra la cantidad total de minutos restantes en el ciclo. Durante un retraso del inicio, la pantalla mostrará la cantidad de horas que faltan hasta que el ciclo se inicie).

## CONTROLE LA TEMPERATURA DEL AGUA

El agua entrante deberá ser de por lo menos 120°F (49°C) y no más de 150°F (66°C) para una limpieza efectiva y para evitar daños sobre los platos. Controle la temperatura del agua con un termómetro para caramelos o para carne.

Abra el grifo de agua caliente más cercano al lavavajillas, coloque el termómetro en un vaso y deje que el agua corra de forma continua en el vaso hasta que la temperatura deje de subir.

## SABÁTICO/ MODO DE PUERTA ACTIVADA

Para que esta opción esté en ON/OFF (Encendida/Apagada), mantenga presionados los botones **Start** (Iniciar) y **Wash Temp** (Temperatura de Lavado) durante 5 segundos, cierre la puerta y espere 3 minutos hasta que se active el modo de apagado automático del lavavajillas. En el modo OFF (Apagado), la pantalla de control, los sonidos de control y las luces internas (en algunos modelos) no responderán a la apertura o cierre de la puerta. Este modo puede ser usado al celebrar ciertos feriados religiosos tales como el Sabbath. Para activar el control y las luces internas (en algunos modelos), presione cualquier botón.

## MUDO

Para activar/desactivar los sonidos de control del lavavajillas, presione el botón **Wash Temp** 5 veces en 5 segundos.

## DISPENSADORES

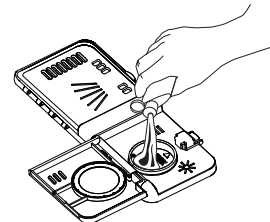
### Use un Agente de Enjuague

Los agentes de enjuague tales como **Finish® Jet-Dry® Rinse Aid** están diseñados para una gran acción de secado y para brindar protección contra manchas y acumulación de películas en sus platos, vasos, cubiertos, utensilios y plástico.

### Llenado del Dispensador

El dispensador del agente de enjuague tiene una capacidad de 3.9 oz. (115 ml) de agente de enjuague. Bajo condiciones normales, esto durará aproximadamente un mes - dependiendo de la ubicación.

- 1 Asegúrese de que la puerta del lavavajillas esté completamente abierta.
- 2 Abra la puerta del dispensador. (El compartimiento del agente de enjuague se encuentra del lado derecho del dispensador.)



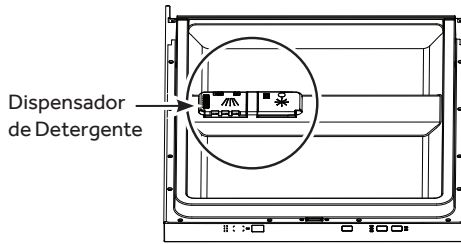
- 3 Lentamente agregue el agente de enjuague hasta que la taza esté llena. Es posible que se deba pausar varias veces para permitir que la ayuda para el enjuague se asiente.
- 4 Limpie cualquier derrame producido por el agente de enjuague con una tela seca, a fin de evitar que haya espuma dentro del lavavajillas.
- 5 Cierre la puerta del dispensador.

# USO DEL LAVAVAJILLAS

## DISPENSADOR DE DETERGENTE

Para abrir, presione el botón y la tapa se abrirá. El dispensador de detergente tiene dos compartimientos. El compartimiento de prelavado es el compartimiento más pequeño en el lado izquierdo. Use el compartimiento de prelavado sólo cuando el agua sea extremadamente dura o cuando la carga contenga un nivel de suciedad pesada. El compartimiento de prelavado no será utilizado cuando se usen detergentes en tableta o paquete.

**NOTA:** No bloquee el dispensador de detergente con utensilios grandes o altos.



Puede usar detergente para lavavajillas automáticos en pastilla, polvo, líquido o gel. Asegúrese de usar sólo detergentes específicamente etiquetados para uso con lavavajillas automáticos. Nunca use detergente líquido de mano para platos en un lavavajillas automático. Como resultado del uso de detergentes inapropiados se producirá agua jabonosa o un lavado deficiente.

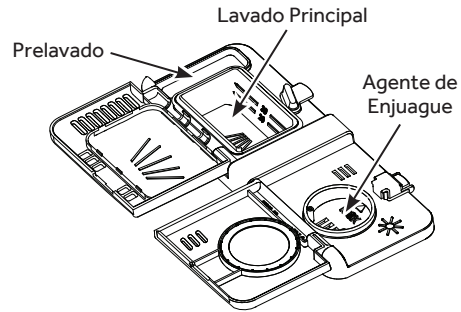
Los detergentes deberían ser guardados en una ubicación seca y en sus envases originales para evitar la pérdida de efectividad. Coloque detergente en una taza antes de encender el lavavajillas y luego cierre la tapa. La tapa se abrirá durante el ciclo de lavado.

## LLENADO DEL DISPENSADOR DE DETERGENTE

Recomendamos usar detergente en forma de pastilla o paquete. Pruebas independientes demostraron que esta forma de detergente es muy efectiva en el lavavajillas.

**Finish® Quantum® Powerball®** es un ejemplo de este tipo de detergente. Simplemente coloque una tableta o paquete en el compartimiento principal de lavado y cierre la tapa de la taza de detergente deslizando esta última. Se debe observar que la pastilla o paquete deben ser colocados en el compartimiento de lavado principal de la taza de detergente. Si la pastilla o paquete son colocados en el compartimiento de prelavado o arrojados al fondo del lavavajillas, el detergente será descartado por el drenaje en un período muy corto de tiempo y será de este modo desperdiciado. Como resultado de esto, el rendimiento del lavado será muy deficiente.

Si decide usar detergente en polvo, líquido o en gel, la cantidad de detergente que use será determinada por la dureza del agua, la temperatura del agua, y la carga de suciedad de comida dentro del lavavajillas. Para acceder a información sobre la dureza del agua en su área, comuníquese con su compañía proveedora de agua. La dureza del agua se mide en granos por galón. Use esta información y la tabla que aparece más arriba para determinar la cantidad de detergente que se debe usar. Usted puede adquirir una tira de prueba de agua dura de Haier Appliances. Llame al 877-337-3639 y solicite el número de pieza **WD01X10295**.

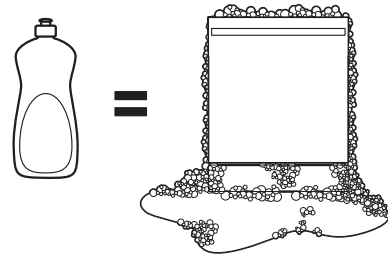


Use la tabla como punto inicial y luego ajuste la cantidad de detergente que usará. Use sólo la cantidad suficiente para un buen rendimiento del lavado. Usar sólo la cantidad correcta de detergente proveerá un gran rendimiento del lavado sin desperdiciar detergente ni enturbiar su cristalería.

Cantidad de Granos/Gal.	Galon(es) a Llenar
Menos de 5	Llene la taza principal hasta la línea 20
5 a 10	Llene la taza principal hasta la línea 30
Superior a 10	Llene tanto la taza principal como la taza de prelavado

El uso de demasiado detergente con agua muy suave y/o muy caliente podrá ocasionar una condición llamada grabado sobre su cristalería. El grabado es un enturbiamiento permanente sobre su cristalería. Esta condición es irreversible. Sin embargo, el uso de muy poco detergente ocasionará un rendimiento deficiente del lavado.

## NO USE DETERGENTE PARA LAVADO MANUAL



**NOTA:** El uso de un detergente que no esté diseñado específicamente para lavavajillas hará que este último se llene de agua con jabón. Durante el funcionamiento, esta agua con jabón se esparcirá por las ventilaciones del lavavajillas, cubriendo el piso de la cocina y mojando el mismo.

Debido a que muchos envases de detergente son parecidos, guarde el detergente para lavavajillas en un espacio aparte de los demás limpiadores. Muestre a cualquier persona que pueda usar el lavavajillas el detergente correcto y dónde se guarda.

Mientras que no habrá daños duraderos sobre el lavavajillas, sus platos no se limpiarán si usa un detergente para platos cuya fórmula no haya sido diseñada para funcionar en lavavajillas automáticos.

# USO DEL LAVAVAJILLAS

Para obtener mejores resultados con el lavavajillas, siga estas pautas de carga. Las funciones y apariencia de los estantes y canastas de cubiertos pueden variar con relación a su modelo.

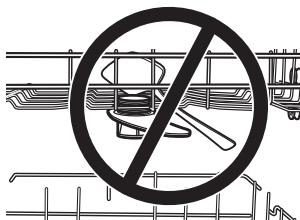
## ESTANTE SUPERIOR

El estante superior es para vasos, tazas y platitos. Éste es también un lugar seguro para colocar ítems de plástico de uso seguro en lavavajillas. El estante superior se puede usar con utensilios de tamaños atípicos. Las cacerolas, recipientes de mezcla y otros ítems con forma similar deberían ser colocados boca abajo para un mejor rendimiento del lavado.

El estante para tazas puede ser colocado en la posición hacia arriba o hacia abajo para agregar flexibilidad.



**IMPORTANTE:** Asegúrese de que los productos no sobresalgan más allá del fondo del estante donde bloquearán la rotación del brazo superior de rociado. Esto podría ocasionar ruidos durante el funcionamiento y/o un lavado deficiente.



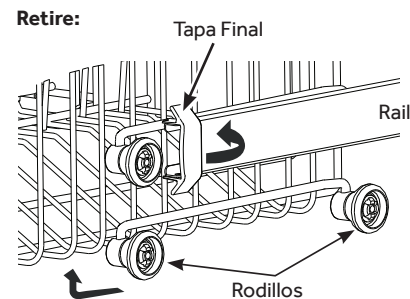
## ESTANTE SUPERIOR - AJUSTE

**⚠ PRECAUCIÓN** Un estante superior cargado puede ser más pesado de lo previsto. Para evitar lesiones leves o daños en el contenido, no levante ni baje el estante superior luego de que el mismo esté cargado con platos.

El estante superior se podrá ajustar para ubicar artículos más grandes.

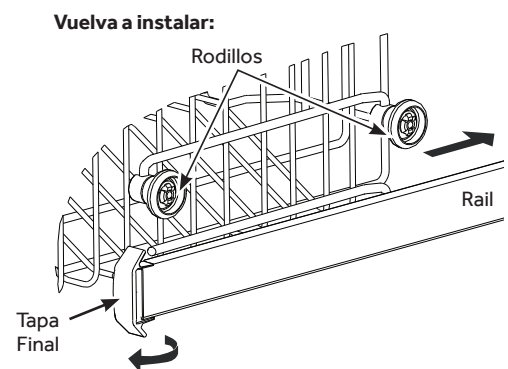
A fin de ajustar el estante superior:

- 1 Extienda completamente este último y gire para abrir las dos tapas de plástico del extremo en el frente de los rieles.



- 2 Retire el estante superior.

- 3 Seleccione el conjunto de rodillos en el constado del estante que provea la altura deseada, y vuelva a instalar el estante superior guiando los rieles del estante entre el conjunto de rodillos adecuado.



- 4 Con el estante reinstalado, girar cerrado las dos tapas de plástico del extremo, asegurando que el cierre automático esté correctamente ajustado. Si las tapas del extremo no se ajustan de forma adecuada, el estante se podrá caer del lavavajillas.



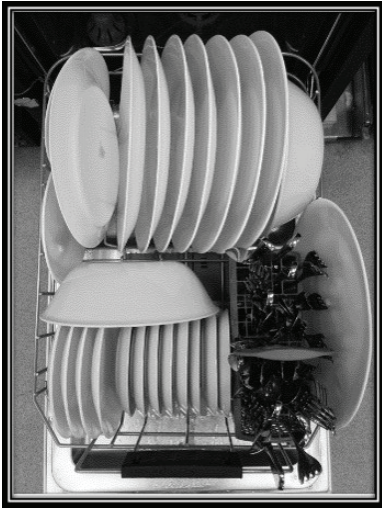
# USO DEL LAVAVAJILLAS

Para obtener mejores resultados con el lavavajillas, siga estas pautas de carga. Las funciones y apariencia de los estantes y canastas de cubiertos pueden variar con relación a su modelo.

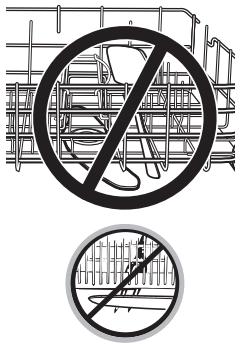
## ESTANTE INFERIOR

**Al cargar el estante inferior, no coloque platos grande ni bandejas en la frontal izquierda.** Las mismas pueden impedir que el detergente circule durante el ciclo de lavado.

El estante inferior es más conveniente para platos, platitos y utensilios. Los ítems grandes deben ser colocados a los costados. Cargue fuentes, ollas y recipientes a los costados, en esquinas o en la parte trasera. El lado sucio de los ítems debe mirar hacia el centro del estante.



**IMPORTANTE:** Asegurar que los productos no sobresalgan más allá del fondo del estante o la canasta de plata donde bloquearán la rotación del brazo inferior de rociado. Esto podría ocasionar ruidos durante el funcionamiento y/o un lavado deficiente.

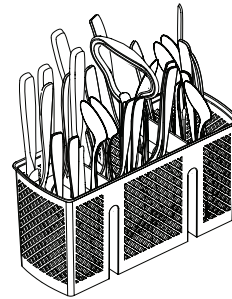


## CANASTA DE CUBIERTOS

La canasta de la vajilla de plata puede ser usada sin la tapa para una carga rápida. Con la tapa, los cubiertos quedan mejor posicionados para el lavavajillas a fin de lavar y secar completamente todas las piezas, evitando incrustaciones.

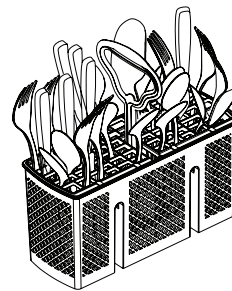
### Sin la tapa

Coloque los utensilios en la canasta extraíble con los mangos de los tenedores y cuchillos hacia arriba a fin de proteger sus manos. Coloque las cucharas en la canasta con las manijas hacia abajo. Mezcle los cuchillos, tenedores y cucharas de modo que no queden enganchados. Distribuya los mismos de forma pareja. Los ítems pequeños de plástico, tales como las cucharas de medición y las tapas de envases pequeños, deben estar en la parte inferior de la canasta de utensilios de plata con estos últimos en la parte superior.



### Con la tapa

Coloque los ítems pequeños de plástico, tales como cucharas de medición y tapas de envases pequeños, en la parte inferior de la canasta y coloque la tapa. Inserte los mangos de las cucharas y los tenedores primero a través de los agujeros de la tapa. Coloque los filos de los cuchillos primero a través de los agujeros de la tapa.



**IMPORTANTE:** No cargue utensilios grandes o altos donde puedan bloquear el dispensador de detergente o el brazo rociador del superior. Esto podría ocasionar ruidos durante el funcionamiento y/o un lavado deficiente.

# CUIDADO Y LIMPIEZA

## PANEL DE CONTROL

A fin de limpiar el panel de control, use una tela levemente suave y húmeda. Luego seque totalmente.

## PANEL DE LA PUERTA EXTERIOR

Antes de limpiar el panel frontal, asegúrese de saber qué tipo de panel posee. Consulte las últimas dos letras de su número de modelo. Puede ubicar su número de modelo en la pared de la tina del lado izquierdo, justo dentro de la puerta. Si su número de modelo termina en BB o WW entonces el panel de su puerta está pintado. Si su número de modelo termina en SS, entonces el panel de su puerta es de acero inoxidable.

Siga las siguientes instrucciones para la limpieza del panel de la puerta correspondientes a su modelo específico.

**Panel de la Puerta Pintado** (números de modelo con terminación en BB– negro o WW–blanco)

Limpie con un paño suave, limpio y levemente húmedo, y luego seque completamente.

No use almohadillas metálicas ni limpiadores en polvo, ya que estos productos podrán rayar el acabado.

**Panel de la Puerta de Acero Inoxidable** (número de modelo con terminación en SS)

**Para limpiar óxido y deslustres**, los limpiadores con ácido oxálico tales como Bar Keepers Friend Soft Cleanser™ eliminarán el óxido, deslustres y pequeñas manchas. Use sólo un limpiador líquido libre de material abrasivo y frote en la dirección de las líneas del cepillo con una esponja suave y húmeda. No use cera para electrodomésticos ni pule sobre el acero inoxidable.

**Para otras manchas y marcas**, use Stainless Steel Magic o un producto similar, con una tela limpia y suave. Para limpiar su electrodoméstico, no use cera, limpia metales, blanqueadores ni productos que contengan cloro sobre el acero inoxidable. Puede ordenar Stainless Steel Magic N° WX10X29 a través de Haier Appliances Parts (Piezas de Haier Appliances) llamando al 877-337-3639.

## INTERIOR DEL LAVAVAJILLAS

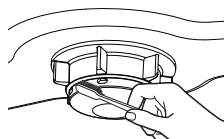
Para limpiar y desodorizar su lavavajillas, utilice ácido cítrico o **Finish® Dishwasher Cleaner**, un detergente aditivo. **Finish® Dishwasher Cleaner** destruirá los depósitos minerales, y eliminará la película y manchas de agua dura.

Puede ordenar el ácido cítrico n° WD35X151 a través de Haier Appliances Parts (Piezas de Haier Appliances) llamando al 877-337-3639 o visitando [haierappliances.com](http://haierappliances.com). Puede adquirir **Finish® Dishwasher Cleaner** en su tienda local.

## CABEZAL ROCIADOR SUPERIOR

**NO retire el cabezal rociador superior.**

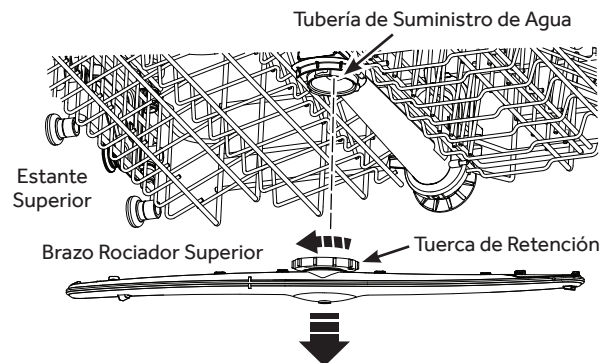
Limpie el mismo con agua caliente y jabón, usando un cepillo con cerda de plástico pequeño.



## BRAZOS ROCIADORES

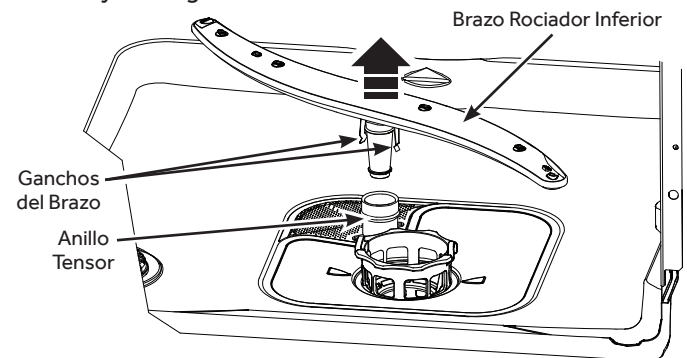
Debido a que los químicos del agua dura atascan los chorros y cojinetes del brazo rociador, es necesario limpiar los brazos rociadores de forma regular. Lave los brazos con agua tibia y jabón y use un cepillo suave para limpiar los chorros. Reemplace los mismos luego de un enjuague completo.

**A fin de retirar el brazo rociador superior**, gire la tuerca de retención 45° y quite el brazo rociador de la tubería de suministro de agua.



**IMPORTANTE:** Al realizar el reemplazo, asegúrese de ajustar la tuerca de retención hasta bloquear la misma de forma segura en la tubería de suministro de agua. Controle que el brazo rociador esté firme y que gire de forma libre.

**A fin de retirar el brazo rociador inferior**, retire el estante inferior y extraiga el brazo rociador.

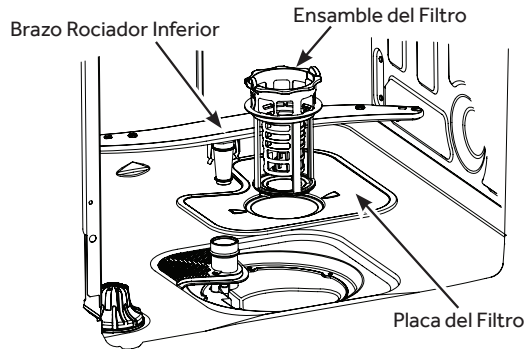


**IMPORTANTE:** Al realizar el reemplazo, asegúrese de apoyar los ganchos del brazo sobre el anillo tensor. Controle que el brazo rociador esté firme y que gire de forma libre.

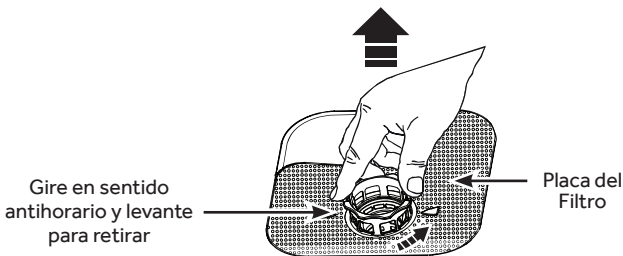
# CUIDADO Y LIMPIEZA

## ENSAMBLE DE FILTRO

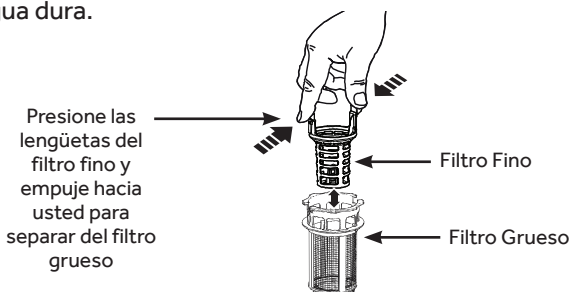
Inspeccione y limpie los filtros en forma periódica. Esto debería ser realizado cada meses o más, dependiendo del uso. Si hay una reducción en el rendimiento del lavado o los platos están arenosos, también hay una indicación de que es necesario lavar los filtros.



Para limpiar el ensamblaje de filtro, retire el estante inferior y el brazo rociador inferior. Tuerza el ensamblaje de filtro en dirección contraria a las agujas del reloj y levante el mismo para retirarlo. Retire la placa del filtro.



Enjuague los filtros con agua caliente y jabón. Los estropajos o cepillos pueden dañar la superficie del filtro, pero es posible que sea necesario usar un cepillo suave o esponja para retirar la suciedad difícil o los depósitos de calcio ocasionados por el agua dura.



Una vez limpios, reemplace la placa del filtro, inserte el ensamblaje del filtro en la placa y gire la misma en dirección horaria hasta que se bloquee. Asegúrese de que los filtros queden completamente apoyados, ya que una colocación inadecuada de los mismos podrá reducir el nivel de rendimiento del electrodoméstico. Reemplace el brazo rociador inferior y el estante inferior.

**IMPORTANTE:** Antes de volver a realizar la colocación, asegúrese de que ningún objeto haya caído en la abertura de la parte inferior del lavavajillas.



## PUERTA INTERNA Y LA TINA DE ACERO INOXIDABLE

El acero inoxidable usado para fabricar la tina del lavavajillas y la puerta interna brinda la mayor confiabilidad disponible en un lavavajillas de Haier Appliances.

Si la tina del lavavajillas o la puerta interna fueran rayados o abollados durante el uso normal, los mismos no se oxidarán ni corroerán. Estas imperfecciones sobre la superficie no afectarán su funcionamiento o durabilidad.

## PROTECCIÓN CONTRA CONGELAMIENTOS

Si su lavavajillas se deja en un lugar sin calefacción durante el invierno, solicite a un técnico del servicio que:

- 1 Corte la corriente eléctrica al lavavajillas. Retire fusibles quemados o disyuntores desactivados.
- 2 Corte el suministro de agua y desconecte la línea de entrada de agua desde la válvula de agua.
- 3 Drene el agua desde la línea de entrada de agua y la válvula de agua. (Use una olla para atrapar el agua.)
- 4 Vuelva a conectar la línea de entrada de agua a la válvula de agua.

## ¿POSEE SU LAVAVAJILLAS UN ESPACIO DE AIRE?

Un espacio de aire protege su lavavajillas contra la acumulación de agua en éste si un drenaje se atasca. El espacio de aire no es una parte del lavavajillas. No está cubierto por su garantía. No todos los códigos de plomería requieren espacios de aire; por lo tanto, es posible que usted no tenga uno.



Controle el espacio de aire en cualquier momento en que su lavavajillas no esté drenando de forma correcta.

### El espacio de aire es fácil de limpiar.

- 1 Apague el lavavajillas y levante la tapa del espacio de aire.
- 2 Retire el tapón de plástico debajo de la tapa y limpie con un palillo.
- 3 Reemplace el tapón y la tapa cuando el espacio de aire esté limpio.

# SOLUCIÓN DE PROBLEMAS

Problema	Causas Posibles	Qué Hacer
Luz titilante del indicador del estado de Inicio	La puerta fue abierta o el ciclo fue interrumpido.	Presione el botón <b>Start</b> (Iniciar) una vez y cierre la puerta dentro de los 4 segundos para iniciar el lavavajillas. Presione la tecla <b>Start</b> (Iniciar) una segunda vez cuando el lavavajillas esté funcionando únicamente si desea cancelar el ciclo.
El lavavajillas emite un PITIDO una vez por minuto	Esto es un recordatorio de que la puerta de su lavavajillas se dejó abierta durante el funcionamiento. Continuará emitiendo pitidos hasta que presione <b>Start</b> (Iniciar) y cierre la puerta.	Presione <b>Start</b> (Iniciar) y cierre la puerta.
Pitidos al final del ciclo	Esto es normal. El lavavajillas emitirá pitidos al final del ciclo.	El lavavajillas emitirá pitidos (a menos que esto se interrumpa) y la luz de <b>Clean</b> (Limpieza) se exhibirá al final del ciclo de lavado.
Los platos y los cubiertos no están limpios	Ensamble de filtro está atascado	Lea la sección de <b>CUIDADO Y LIMPIEZA</b> .
	Temperatura baja del agua entrante	Asegúrese de que la temperatura del agua entrante sea la correcta (consulte la sección <b>Uso del lavavajillas</b> ). Encienda el grifo de agua caliente más cercano al lavavajillas, deje correr hasta que la temperatura del agua deje de subir. Luego inicie el lavavajillas y apague el grifo. Esto asegura que el agua entrante está caliente. Seleccione <b>Wash Temp - Boost</b> (Aumento de la Temperatura de Lavado).
	La presión del agua está temporariamente baja	Abra el grifo. ¿Sale el agua de forma más lenta que lo normal? Si es así, espere hasta que la presión sea normal antes de usar el lavavajillas. La presión normal de agua hasta el lavavajillas debe ser de entre 20 y 120 psi.
	El espacio de aire o la salida de residuos están atascados	Limpie el espacio de aire o despeje la salida de residuos.
	El bucle de drenaje alto o el espacio de aire no fueron instalados	Consulte las Instrucciones de Instalación para instalar una línea de drenaje adecuada.
	Carga inadecuada del estante	Asegúrese de que los utensilios grandes no bloqueen el dispensador de detergente o los brazos de lavado. Lea la sección de <b>Carga del lavavajillas</b> .
Manchas y películas en vasos y utensilios	Detergente de bajo rendimiento	Use un detergente de alta calificación tal como <b>Finish® Quantum® Automatic Dishwashing Detergent</b> .
	Agua extremadamente dura	Use agentes de enjuague tales como <b>Finish® Jet-Dry® Rinse Aid</b> para evitar manchas y evitar una nueva acumulación de películas. Si sólo cuando el agua sea extremadamente dura, un ablandador puede ser necesario.
	Temperatura baja del agua entrante	Asegúrese de que la temperatura del agua sea de por lo menos 120°F (49°C).
	Sobrecarga o carga inadecuada del lavavajillas	Cargue el lavavajillas como se muestra en la sección <b>Carga del lavavajillas</b> .
	Detergente en polvo viejo o húmedo	Asegúrese de que el detergente esté fresco. Use un detergente de alta calificación tal como <b>Finish® Quantum® Automatic Dishwashing Detergent</b> .
	El dispensador del agente de enjuague está vacío	Vuelva a llenar con un agente de enjuague tal como <b>Finish® Jet-Dry® Rinse Aid</b> .
Enturbiamiento de la cristalería	Demasiado poco o bajo rendimiento del detergente	Asegúrese de usar la cantidad correcta de detergente con alta calificación.
	Combinación de agua suave y demasiado detergente	Esto se llama aguafuerte y es permanente. Para evitar que esto suceda, use menos detergente si cuenta con agua suave. Lave la cristalería en el ciclo más corto en que pueda quedar limpia.
	Detergente libre de fosfato con bajo rendimiento	Lea sobre <b>Una película blanca sobre la cristalería, utensilios y su parte interna</b> en esta sección de <b>Solución de problemas</b> .
Agua con jabón en la tina	La temperatura del agua que ingresa al lavavajillas supera los 150°F (66°C)	Esto podría ser aguafuerte. Baje la temperatura del agua caliente.
	Detergente equivocado	Use sólo detergentes para lavavajillas automáticos para evitar la generación de agua con jabón. Se probó que los <b>Finish® Quantum® Automatic Dishwashing Detergent</b> fueron aprobados para su uso en todos los lavavajillas de Haier Appliances.
	El agente de enjuague se derramó	Siempre limpie los derrames del agente de enjuague de forma inmediata.

# SOLUCIÓN DE PROBLEMAS

Problema	Causas Posibles	Qué Hacer
Se dejó detergente en las tazas del dispensador	Los platos o utensilios están bloqueando la taza de detergente	Reposicione los platos, de modo que el agua del brazo rociador inferior pueda despejar el detergente de la taza. Lea la sección <b>Carga del lavavajillas</b> . Reposicione los utensilios o la vajilla pesada que pudiera estar impidiendo que la puerta de la taza del dispensador se abra. Lea la sección <b>Carga del lavavajillas</b> .
Marcas negras o grises en los platos	Utensilios de aluminio fueron frotados contra los platos	Retire las marcas con un limpiador suave y abrasivo.
Los platos no se secan	La puerta no fue abierta inmediatamente luego de que la luz de Clean (Limpio) se encendió	Para un secado adecuado, la puerta del lavavajillas se deberá abrir inmediatamente luego de que la luz de <b>Clean</b> (Limpio) se encienda.
	Temperatura baja del agua entrante	Asegúrese de que la temperatura del agua entrante sea de por lo menos 120°F. Use la opción <b>Wash Temp Boost</b> (Aumento de la Temperatura de Lavado). Seleccione un ciclo más alto, tal como <b>Heavy</b> (Pesado).
	El dispensador del agente de enjuague está vacío	Controle el dispensador del agente de enjuague y llene como se requiere.
El panel de control respondió a las instrucciones pero el lavavajillas nunca se llenó de agua	Es posible que la puerta no esté completamente cerrada	Asegúrese de que la puerta esté firmemente cerrada.
	Es posible que la puerta no esté agua esté cerrada	Asegúrese de que la válvula de agua (normalmente ubicada debajo del lavabo) esté abierta.
Interior de la tina	Se podrá generar una película amarilla o marrón por los depósitos en el agua	El uso de un filtro especial en la cañería del suministro de agua es la única forma de corregir el problema. Comuníquese con una empresa de ablandamiento del agua.
	Película blanca en la superficie interna — minerales de agua dura	Recomendamos el uso de <b>Finish® Jet-Dry® Rinse Aid</b> para evitar la formación de depósitos minerales de agua dura. Haga funcionar el lavavajillas con ácido cítrico para eliminar los depósitos minerales. El ácido cítrico (número de pieza: WD35X151) se puede ordenar a través de Haier Appliances Parts (Piezas de Haier Appliances). Para acceder a información sobre cómo ordenar, lea la contratapa. De forma alternativa, adquiera <b>Finish® Dishwasher Cleaner</b> y siga las instrucciones en la etiqueta.
El lavavajillas no funciona	Se quemó el fusible o el disyuntor está desactivado	Reemplace el fusible o reinicie el disyuntor. Retire cualquier otro electrodoméstico del circuito.
	El encendido está apagado	En algunas instalaciones, el encendido del lavavajillas es provisto a través de un interruptor de pared, con frecuencia ubicado junto al interruptor de desechos. Asegúrese de que esté encendido
	El panel de control está bloqueado	Desbloquee el panel de control. Consulte la sección <b>Puesta en marcha</b> .
	Reinicie el control	Desconecte la corriente del lavavajillas (desde el disyuntor y el interruptor de la pared) durante 30 segundos, y luego vuelva a conectarla.
Las luces del panel de control se apagan cuando está los controles	Demasiado tiempo para presionar las teclas seleccionadas	Cada tecla deberá ser presionada dentro de los 30 segundos con relación a las demás. Para volver a iluminarlas, presione cualquier tecla nuevamente o abra la puerta y desbloquee.
Agua en el fondo de la tina	El espacio de aire está atascado	Limpie el espacio de aire. Lea la sección de <b>CUIDADO Y LIMPIEZA</b> .
	El bucle de drenaje alto o el espacio de aire no fueron instalados	Consulte las Instrucciones de Instalación para instalar una línea de drenaje adecuada.
El agua no es bombeada fuera de la tina	El drenaje está atascado	Si hay un espacio de aire, limpie el mismo. Lea la sección de <b>CUIDADO Y LIMPIEZA</b> . Si el lavavajillas drena hacia la salida de residuos, despeje esta última. Controle que el lavabo de su cocina esté realizando un drenaje correcto. De no ser así, es posible que deba llamar a un plomero.

# SOLUCIÓN DE PROBLEMAS

Problema	Causas Posibles	Qué Hacer
La luz de des Sanitize (infección) no se ilumina al finalizar el ciclo	La puerta fue abierta y el ciclo fue interrumpido durante el enjuague final	No interrumpa el ciclo abriendo la puerta durante el ciclo de lavado.
	La temperatura del agua entrante era demasiado baja	Eleve la temperatura del calentador de agua a entre 120°F y 150°F.
Ruido	Sonidos de funcionamiento normal: Pitido al final del ciclo Apertura de la taza de detergente Entra agua al lavavajillas El motor se detiene y activa en diferentes momentos durante el ciclo Los brazos rociadores se activan y detienen en diferentes momentos Sonidos de bombeo del drenaje durante el vaciado El bombeo del drenaje se activa y detiene varias veces durante cada drenaje	Todos estos son normales. Ninguna acción es requerida.
	Sonido ruidoso de los platos cuando el brazo rociador gira	Asegúrese de que los platos hayan sido cargados de forma adecuada. Lea la sección <b>Carga</b> .
	Sonido ruidoso de los utensilios contra la puerta durante el lavado	Los utensilios altos podrán ser colocados en el estante superior a fin de evitar el bombeo contra la puerta interna durante el ciclo de lavado.
Una película blanca en la cristalería, utensilios y el interior	Es posible que este problema sea ocasionado por un libre de fosfato de baja calidad	A fin de eliminar la película blanca, lave los platos a través del ciclo del lavavajillas con ácido cítrico. Use el kit de ácido cítrico WD35X151, el cual puede encontrar a través de Internet. De otra forma, use <b>Finish® Dishwasher Cleaner</b> , el cual puede adquirir en una tienda de compras local. Vierta el ácido cítrico en la taza de detergente y cierre la tapa. Coloque la cristalería y utensilios con la película o de otro modo limpia en el lavavajillas. Deje los utensilios de plata y otros artículos metálicos fuera del lavavajillas. Encienda el lavavajillas y haga que funcione un ciclo completo sin detergente. La cristalería, los utensilios y el lavavajillas deberían finalizar sin la película sobre éstos. De forma alternativa, se podrá usar un enjuague con vinagre. Vierta una taza de vinagre en el lavavajillas justo después de que la taza de detergente se abra y deje que el lavavajillas complete su ciclo.  Esto se podrá repetir varias veces al año, de ser necesario.  El uso de un agente de enjuague tal como <b>Finish® Jet-Dry® Rinse Aid</b> podrá ayudar a minimizar una nueva acumulación de la película. Además, el uso de un detergente altamente calificado como <b>Finish® Quantum® Automatic Dishwashing Detergent</b> ayudará a evitar la acumulación de la película.

## ¿OLVIÓ AGREGAR UN PLATO?

Ítems adicionales pueden ser agregados al lavavajillas en cualquier momento, de forma ideal se deben agregar en breve luego de iniciado el ciclo de lavado.

- 1 Abra la puerta para interrumpir el ciclo. Empuje la manija de la puerta para liberar la misma.
- 2 No abra la puerta completamente hasta que la acción del espray de agua se detenga. Es posible que salga vapor del lavavajillas.
- 3 Agregue los ítems adicionales.
- 4 Presione **Start** (Iniciar) y cierre la puerta dentro de los 4 segundos para reiniciar el ciclo.

# GARANTÍA LIMITADA

## haierappliances.com

Todo el servicio de garantía es provisto por nuestros Centros de Servicio de Fabricación, o un técnico autorizado de Servicio al Cliente (Customer Care®). Para programar una visita del servicio técnico, visítenos a través de Internet en haierappliances.com, o llame Haier Appliances al 877-337-3639. Cuando llame para solicitar el servicio, tenga los números de serie y modelo disponibles.

Para realizar el servicio técnico de su electrodoméstico se podrá requerir el uso de datos del puerto de abordaje para su diagnóstico. Esto da al técnico del Servicio de Fábrica de Haier Appliances la habilidad de diagnosticar de forma rápida cualquier problema con su electrodoméstico, y de ayudar a Haier Appliances a mejorar sus productos al brindarle a Haier Appliances la información sobre su electrodoméstico. Si no desea que los datos de su electrodoméstico sean enviados a Haier Appliances, solicitamos que le indique a su técnico NO entregar los datos a Haier Appliances en el momento del servicio.

<b>Por el Período de:</b>	<b>Haier Appliances reemplazará:</b>
<b>Un Año</b> Desde la fecha de compra original	<b>Cualquier parte</b> del lavavajillas que falle debido a un defecto en los materiales o la fabricación. Durante esta <b>garantía limitada de un año</b> , Haier Appliances también proveerá, <b>sin costo</b> , todo el trabajo y el servicio en el shogar relacionado con el reemplazo de la pieza que presente defectos.

### Qué No Cubrirá Haier Appliances:

- Viajes del técnico del servicio a su hogar para enseñarle sobre cómo usar el producto.
- Instalación, entrega o mantenimiento inadecuados.
- Fallas del producto en caso de abuso, mal uso, o uso para propósitos diferentes al original o uso comercial.
- Reemplazo de fusibles de la casa o reinicio de disyuntores.
- Producto no accesible para brindar el servicio requerido.
- Daños ocasionados sobre el producto por accidente, incendio, inundaciones o catástrofes naturales.
- Daños incidentales o consecuentes causados por posibles defectos sobre este producto.
- Limpieza o servicio técnico del dispositivo de espacio de aire en la línea de drenaje.
- Daño ocasionado luego de la entrega, incluyendo daños sobre productos que sufrieron caídas al suelo.

### EXCLUSIÓN DE GARANTÍAS IMPLÍCITAS

Su única y exclusiva alternativa es la reparación del producto, como se indica en la Garantía Limitada. Las garantías implícitas, incluyendo garantías implícitas de comerciabilidad o conveniencia sobre un propósito particular, se limitan a un año o al período más corto permitido por la ley.

Esta garantía limitada se extiende al comprador original y a cualquier dueño subsiguiente de productos comprados para uso hogareño dentro de EE.UU. Si el producto está en un área donde no se encuentra disponible un Proveedor Autorizado del Servicio Técnico de Haier Appliances, usted será responsable por el costo de un viaje o se podrá requerir que traiga el producto a una ubicación del Servicio Técnico de Haier Appliances Autorizado para recibir el servicio. Para acceder al servicio técnico correspondiente a la garantía, se deberá contar con la prueba de la fecha original de compra. En Alaska, la garantía limitada excluye el costo de envío o llamadas del servicio a su hogar.

Algunos estados no permiten la exclusión o limitación de daños fortuitos o consecuentes. Esta garantía limitada le da derechos legales específicos y es posible que tenga otros derechos legales que varían entre un estado y otro. Para conocer cuáles son sus derechos legales, consulte a la oficina de asuntos del consumidor local o estatal o al Fiscal de su estado.

**Garante: Haier Appliances  
Louisville, KY 40225**

Abroche su recibo aquí. Para acceder al servicio técnico de acuerdo con la garantía deberá contar con la prueba de la fecha original de compra.

# SOPORTE AL CLIENTE

## Sitio Web de Haier Appliances

¿Desea realizar una consulta o necesita ayuda con su electrodoméstico? ¡Intente a través del Sitio Web de Haier Appliances las 24 horas del día, cualquier día del año! Usted también puede comprar más electrodomésticos maravillosos de Haier Appliances y aprovechar todos nuestros servicios de soporte a través de Internet, diseñados para su conveniencia. En EE.UU.: [haierappliances.com](http://haierappliances.com)

---

## Registre su Electrodoméstico

¡Registre su electrodoméstico nuevo a través de Internet, según su conveniencia! Un registro puntual de su producto permitirá una mejor comunicación y un servicio más puntual de acuerdo con los términos de su garantía, en caso de surgir la necesidad. También puede enviar una carta en la tarjeta de inscripción preimpresa que se incluye con el material embalado. En EE.UU.: [haierappliances.com](http://haierappliances.com)

---

## Servicio Programado

El servicio de reparación de expertos de Haier Appliances está a sólo un paso de su puerta. Conéctese a través de Internet y programe su servicio a su conveniencia cualquier día del año.

En EE.UU.: [haierappliances.com](http://haierappliances.com)

o comuníquese al 877-337-3639 durante el horario de atención comercial.

---

## Conectividad Remota

Para solicitar asistencia para la conectividad de red inalámbrica (para modelos con acceso remoto), visite nuestro sitio web en [haierappliances.com](http://haierappliances.com).

---

## Piezas y Accesorios

Aquellos individuos calificados para realizar el servicio técnico de sus propios electrodomésticos podrán solicitar el envío de piezas o accesorios directamente a sus hogares (se aceptan las tarjetas VISA, MasterCard y Discover). Ordene hoy a través de Internet durante las 24 horas, todos los días. En EE.UU.: 877-337-3639 durante el horario de atención comercial.

**Las instrucciones que figuran en este manual cubren los procedimientos que serán realizados por cualquier usuario. Otros servicios técnicos generalmente deben ser derivados a personal calificado del servicio. Se deberá tener cuidado, ya que una reparación indebida podrá hacer que el funcionamiento no sea seguro.**

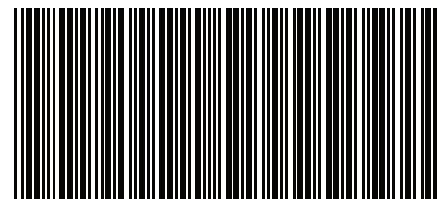
---

## Contáctenos

Si no se encuentra satisfecho con el servicio que recibió de Haier Appliances, comuníquese con nosotros a través de nuestro sitio web a [Haierappliances.com](http://Haierappliances.com) con todos los detalles, incluyendo su número telefónico, o escriba a:

En EE.UU.: Haier Appliances, Consumer Relations | PO Box 1780 | Rapid City, SD 57709

---



0120501701A