

Haier

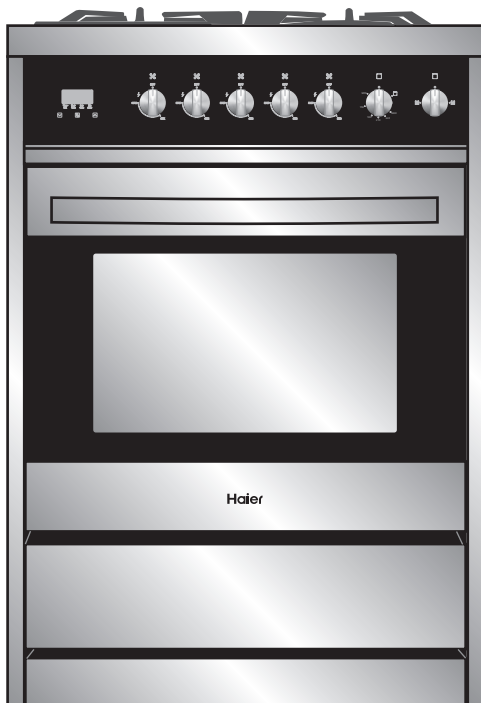
Installation Instructions
Instructions d'installation
Instrucciones de instalación

HCR2250AGS
HCR6250AGS

24" and 36" Gas Free-Standing Range

Cuisinière autoportante gaz de 24" et 36"

Estufa independiente gas de 24" y 36"



IMPORTANT: Save for local electrical inspector's use.

IMPORTANT: Conserver pour consultation par l'inspecteur local des installations électriques.

IMPORTANTE: Guárdelo para uso del inspector eléctrico local.

Part # 0570000701 REV A

TABLE OF CONTENTS

RANGE SAFETY	2
INSTALLATION REQUIREMENTS	4
Tools and Parts.....	4
Location Requirements.....	6
Electrical Requirements.....	9
Gas Supply Requirements	10
INSTALLATION INSTRUCTIONS	13
Step 1 - Unpack Range	13
Step 2 - Install Backsplash.....	13
Step 3 - Install Anti-tip Bracket.....	14
Step 4 - Make Gas Connection.....	16
Step 5 - Make Electrical Connection.....	18
Step 6 - Install Range	18
Step 7 - Level the Range (if needed)	19
Step 8 - Check Operation of Electronic Ignition System.....	20
GAS CONVERSION	21
Step 1 - Adjust the Regulator	24
Step 2 - Change Burner Orifices	25
Step 3 - Adjust Burner Flames	26
Step 4 - Testing Flame Stability.....	27
Step 5 - Flame Re-Check.....	27

RANGE SAFETY

Your safety and the safety of others are very important.

We have provided many important safety messages in this manual and on your appliance. Always read and obey all safety messages.



This is the safety alert symbol.

This symbol alerts you to potential hazards that can kill or hurt you and others. All safety messages will follow the safety alert symbol and either the word "DANGER," "WARNING" or "CAUTION."

These words mean:



An imminently hazardous situation. You could be killed or seriously injured if you don't immediately follow instructions.



A potentially hazardous situation which, if not avoided, could result in death or serious bodily injury.



A potentially hazardous situation which, if not avoided, may result in moderate or minor injury.

All safety messages will tell you what the potential hazard is, tell you how to reduce the chance of injury, and tell you what can happen if the instructions are not followed.

⚠ WARNING



Fire Hazard

If the information in this manual is not followed exactly, a fire or explosion may result causing property damage, personal injury or death.

- Do not store or use gasoline or other flammable vapors and liquids in the vicinity of this or any other appliance.
- WHAT TO DO IF YOU SMELL GAS
 - Do not try to light any appliance.
 - Do not touch any electrical switch.
 - Do not use any phone in your building.
 - Clear the room, building, or area of all occupants.
 - Immediately call your gas supplier from a neighbor's phone. Follow the gas supplier's instructions.
 - If you cannot reach your gas supplier, call the fire department.
- Installation and service must be performed by a qualified installer, service agency or the gas supplier.

WARNING: Gas leaks cannot always be detected by smell.

Gas suppliers recommend that you use a gas detector approved by UL or CSA.

For more information, contact your gas supplier.

If a gas leak is detected, follow the "What to do if you smell gas" instructions.

In the State of Massachusetts, the following installation instructions apply:

- Installations and repairs must be performed by a qualified or licensed contractor, plumber, or gasfitter qualified or licensed by the State of Massachusetts.
- If using a ball valve, it shall be a T-handle type.
- A flexible gas connector, when used, must not exceed 3 feet.

State of California Proposition 65 Warnings:

WARNING: This product contains one or more chemicals known to the State of California to cause cancer.

WARNING: This product contains one or more chemicals known to the State of California to cause birth defects or other reproductive harm.

⚠ WARNING



Tip Over Hazard

A child or adult can tip the range and be killed.

Connect anti-tip bracket to rear range foot.

Reconnect the anti-tip bracket, if the range is moved.

Failure to follow these instructions can result in death or serious burns to children and adults.

INSTALLATION REQUIREMENTS

TOOLS AND PARTS

Gather the required tools and parts before starting installation. Read and follow the instructions provided with any tools listed here.

TOOLS NEEDED

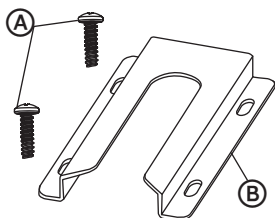
- Tape measure
- Flat-blade screwdriver
- Phillips screwdriver
- Level
- Cordless electric drill
- Hammer
- Wrench or pliers
- Pipe wrench
- 10" Adjustable Wrenches (2)
- $\frac{3}{8}$ " nut driver
- $\frac{1}{4}$ " nut driver
- $\frac{1}{8}$ " (3.2 mm) drill bit (for wood floors)
- Marker or pencil
- Masking tape
- Pipe-joint compound resistant to LP gas
- $\frac{3}{16}$ " carbide-tipped masonry drill bit (for concrete/ceramic floors)
- Noncorrosive leak-detection solution

For LP/Natural Gas Conversions

- ½" Combination wrench
- 7 mm combination wrench
- 7 mm nut driver

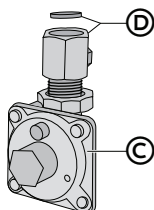
PARTS SUPPLIED

Check that all parts are included.



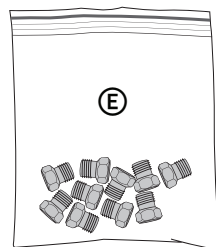
(A) 16 x 1½" Screws (2)

(B) Anti-tip Bracket



(C) Regulator

(D) Gas Pipe Adapter
with Washer



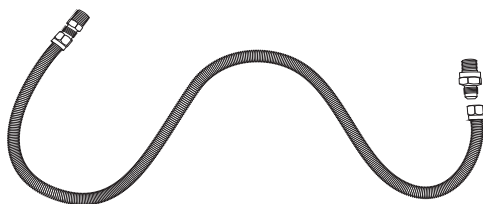
(E) LP/Natural Gas
Conversion Kit

NOTE: The Anti-tip bracket must be securely mounted to the subfloor. Depending on the thickness of the flooring, longer screws may be required to anchor the anti-tip bracket to the subfloor. Longer screws are available from your local hardware store.

PARTS NEEDED

Check local codes and consult gas supplier. Check existing gas supply and electrical supply. See "Electrical Requirements" and "Gas Supply Requirements" sections.

- Gas Supply Line Kit (Supply line and 2 adapters)

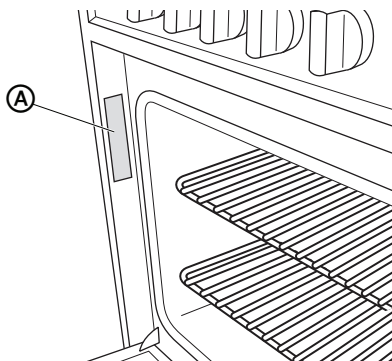


LOCATION REQUIREMENTS

VENTILATION

IMPORTANT: Observe all governing codes and ordinances. Do not obstruct flow of combustion and ventilation air.

- It is the installer's responsibility to comply with installation clearances specified on the model/serial rating plate. The model/serial rating plate is located on the left-hand side of the oven frame. Open oven door to view label. See label on back panel of range for additional element and oven power ratings.



Ⓐ Rating Plate

TEMPERATURE

IMPORTANT: This oven has been designed in accordance with the requirements of UL and CSA International and complies with the maximum allowable wood cabinet temperatures of 194F (90°C).

- Some cabinet and building materials are not designed to withstand the heat produced by the oven for baking and self-cleaning. Check with your builder or cabinet supplier to make sure that the materials used will not discolor, delaminate or sustain other damage.
- Contact a qualified floor covering installer to check that the floor covering can withstand at least 200°F (93°C).
- Use an insulated pad or ¼" (0.64 cm) plywood under range if installing range over carpeting.

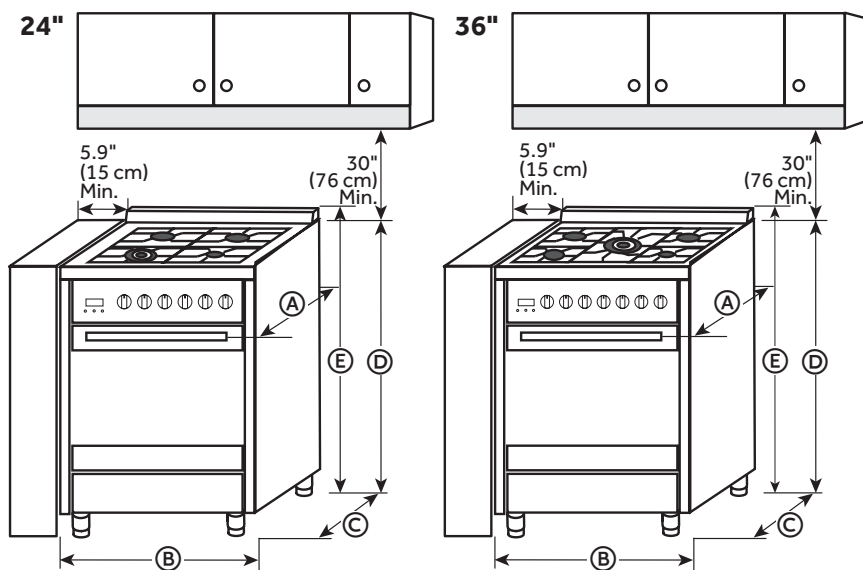
GENERAL

- The range should be located for convenient use in the kitchen.
- Recessed installations must provide complete enclosure of the sides and rear of the range.
- To eliminate the risk of burns or fire by reaching over heated surface units, cabinet storage space located above the surface units should be avoided. If cabinet storage is to be provided, the risk can be reduced by installing a range hood or microwave hood combination that projects horizontally a minimum of 5" (12.7 cm) beyond the bottom of the cabinets.
- All openings in the wall or floor where range is to be installed must be sealed.
- Do not seal the range to the side cabinets.
- Grounded electrical supply is required. See "Electrical Requirements" section.
- Proper gas supply connection must be available. See "Gas Supply Requirements" section.

DIMENSIONS

Product and Opening

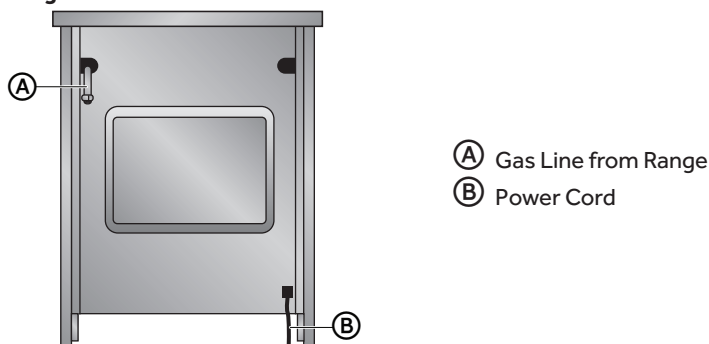
Opening dimensions shown are for 25" (64.0 cm) countertop depth, 4" (61.0 cm) base cabinet depth and 36" (91.4 cm) countertop height.



Model Size	A. Depth w/ Handle	B. Width	C. Depth	D. Height to top of Cooktop	E. Height Overall
24"	25 $\frac{1}{8}$ " (64.28 cm)	23 $\frac{3}{8}$ " (60 cm)	23 $\frac{3}{8}$ " (60 cm)	36" (91 cm)	37 $\frac{3}{8}$ " (95.5 cm)
36"	25 $\frac{1}{8}$ " (64.28 cm)	35 $\frac{3}{8}$ " (90 cm)	23 $\frac{3}{8}$ " (60 cm)	36" (91 cm)	37 $\frac{3}{8}$ " (95.5 cm)

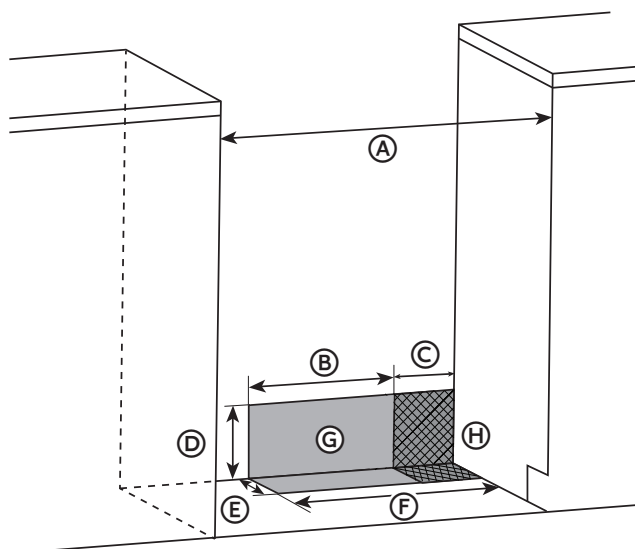
NOTE: Range can be raised approximately 1" (2.5 cm) by adjusting the leveling legs. Front of door and drawer may extend farther forward depending on styling.

Back of Range



Power Supply

IMPORTANT: An electrical outlet in the floor, may be either recessed or surface mounted, but an electrical outlet in the wall must be recessed to make the connection.



- | | |
|--|---|
| (A) 24" Model - 23 $\frac{3}{5}$ " (60 cm)
36" Model - 35 $\frac{3}{5}$ " (90 cm) | (F) 17 $\frac{1}{2}$ " (44 cm) |
| (B) 11 $\frac{1}{2}$ " (29.2 cm) | (G) Recommended Location for
Electrical Outlet |
| (C) 6" (15.2 cm) | (H) Recommended Location for
Gas Supply Connection |
| (D) 7 $\frac{1}{4}$ " (18.4 cm) | |
| (E) 3" (7.6 cm) | |

***NOTE:** 24" (61.0 cm) minimum when bottom of wood or metal cabinet is covered by not less than $\frac{1}{4}$ " (0.64 cm) flame retardant millboard covered with not less than No. 28 MSG sheet steel, 0.015" (0.4 mm) stainless steel, 0.024" (0.6 mm) aluminum or 0.020" (0.5 mm) copper.
30" (76.2 cm) minimum clearance between the cooking and the bottom of an uncovered wood or metal cabinet.

ELECTRICAL REQUIREMENTS

WARNING



Electrical Shock Hazard

- Plug into a grounded 3 prong outlet.
- Do not remove the ground prong from the power cord plug.
- Do not use an adapter.
- Do not use an extension cord.
- Failure to do so can result in death, fire or electrical shock.

IMPORTANT: The range must be electrically grounded in accordance with local codes and ordinances, or in the absence of local codes, with the National Electrical Code, ANSI/NFPA 70 or Canadian Electrical Code, CSA C22.1.

This range is equipped with an electronic ignition system that will not operate if plugged into an outlet that is not properly polarized.

If codes permit and a separate ground wire is used, it is recommended that a qualified electrical installer determine that the ground path is adequate.

A copy of the above code standards can be obtained from:

National Fire Protection Association
1 Batterymarch Park
Quincy, MA 02169-7471

CSA International
8501 East Pleasant Valley Road
Cleveland, OH 44131-5575

- A 120 volt, 60 Hz., AC only, 15-amp fused, electrical circuit is required. A time-delay fuse or circuit breaker is also recommended. It is recommended that a separate circuit serving only this range be provided.
- Electronic ignition systems operate within wide voltage limits, but proper grounding and polarity are necessary. Check that the outlet provides 120-volt power and is correctly grounded.
- This gas range is not required to be plugged into a GFCI (Ground-Fault Circuit Interrupter) outlet. It is recommended that you not plug an electric spark ignition gas range or any other major appliance into a GFCI wall outlet as it may cause the GFCI to trip during normal cycling.
- Performance of this range will not be affected if operated on a GFCI-protected circuit. However, occasional nuisance tripping of the GFCI breaker is possible due to the normal operating nature of electronic gas ranges.
- The wiring diagram is located on the back of the range in a clear plastic bag.

NOTE: The metal chassis of the range must be grounded in order for the control panel to work. If the metal chassis of the range is not grounded, no keypads will operate. Check with a qualified electrician if you are in doubt as to whether the metal chassis of the range is grounded.

GAS SUPPLY REQUIREMENTS

WARNING



Explosion Hazard

Use a new CSA International approved gas supply line.

Install a shut-off valve.

Securely tighten all gas connections.

If connected to LP, have a qualified person make sure gas pressure does not exceed 14" (36 cm) water column.

Examples of a qualified person include:

licensed heating personnel,
authorized gas company personnel, and
authorized service personnel.

Failure to do so can result in death, explosion or fire.

Observe all governing codes and ordinances.

IMPORTANT: This installation must conform with all local codes and ordinances. In the absence of local codes, installation must conform with American National Standard, National Fuel Gas Code ANSI Z223.1 - latest edition or CAN/CGA B149 – latest edition.

IMPORTANT: Leak testing of the range must be conducted according to the manufacturers instructions.

TYPE OF GAS

Natural gas:

This range is design-certified by CSA International for use with Natural gas or, after proper conversion, for use with LP gas.

- This range is factory set for use with Natural gas. See "Gas Conversions" section. The model/serial rating plate located on the right side oven door trim has information on the types of gas that can be used. If the types of gas listed do not include the type of gas available, check with the local gas supplier.

LP gas conversion:

IMPORTANT: Conversion must be done by a qualified service technician.

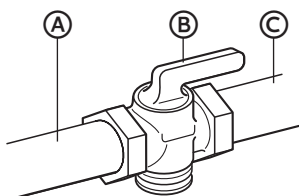
No attempt shall be made to convert the appliance from the gas specified on the model/serial rating plate for use with a different gas without consulting the serving gas supplier. See "Gas Conversions" section.

GAS SUPPLY LINE

Provide a gas supply line of $\frac{3}{4}$ " (1.9 cm) rigid pipe to the range location. A smaller size pipe on longer runs may result in insufficient gas supply. Pipe-joint compounds that resist the action of LP gas must be used. With LP gas, piping or tubing size can be $\frac{1}{2}$ " (1.3 cm) minimum. Usually, LP gas suppliers determine the size and materials used in the system.

Gas Shut-off Valve:

- The gas supply line must be equipped with a manual shutoff valve. This valve should be located in the same room but external to the range. It should be in a location that allows ease of opening and closing. Do not block access to shutoff valve. The valve is for turning on or shutting off gas to the range.



- (A) Gas Supply Line
- (B) Shutoff Valve "Open" Position
- (C) Flexible/Rigid Gas Line to Range

Flexible metal appliance connector:

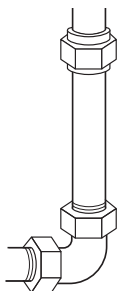
- If local codes permit, a new CSA design-certified, 4 - 5 ft (122 - 152.4 cm) long, $\frac{1}{2}$ " (1.3 cm) or $\frac{3}{4}$ " (1.9 cm) I.D., flexible metal appliance connector may be used for connecting range to the gas supply line.



- A $\frac{1}{2}$ " (1.3 cm) male pipe thread is needed for connection to the female pipe threads of the inlet to the appliance pressure regulator.
- Do not kink or damage the flexible metal tubing when moving the range.

Rigid pipe connection:

The rigid pipe connection requires a combination of pipe fittings to obtain an in-line connection to the range. The rigid pipe must be level with the range connection. All strains must be removed from the supply and fuel lines so range will be level and in line.

**GAS PRESSURE REGULATOR**

The gas pressure regulator supplied with this range must be used. The inlet pressure to the regulator should be as follows for proper operation:

Natural gas:

Minimum pressure: 5" Water Column Pressure (WCP)

Maximum pressure: 14" WCP

LP gas:

Minimum pressure: 11" WCP

Maximum pressure: 14" WCP

Contact local gas supplier if you are not sure about the inlet pressure.

Burner Input Requirements

Input ratings shown on the model/serial rating plate are for elevations up to 2,000 ft (609.6 m).

For elevations above 2,000 ft (609.6 m), ratings are reduced at a rate of 4% for each 1,000 ft (304.8 m) above sea level (not applicable for Canada).

GAS SUPPLY PRESSURE TESTING

Gas supply pressure for testing regulator must be at least 1" Water Column Pressure (WCP) above the manifold pressure shown on the model/serial rating plate.

Line pressure testing above 0.5 psi gauge (14" WCP)

The range and its individual shutoff valve must be disconnected from the gas supply piping system during any pressure testing of that system at test pressures in excess of 0.5 psi (3.5 kPa).

Line pressure testing at 0.5 psi gauge (14" WCP) or lower

The range must be isolated from the gas supply piping system by closing its individual manual shutoff valve during any pressure testing of the gas supply piping system at test pressures equal to or less than 0.5 psi (3.5 kPa).

INSTALLATION INSTRUCTIONS

IMPORTANT: This appliance shall be installed only by authorized persons and in accordance with the manufacturer's installation instructions, local gas fitting regulations, municipal building codes, electrical wiring regulations, local water supply regulations.

STEP 1 - UNPACK RANGE

WARNING

Excessive Weight Hazard

Use two or more people to move and install range.

Failure to do so can result in back or other injury.

1. Remove shipping materials, tape and film from the range. Keep cardboard bottom under range. Do not dispose of anything until the installation is complete.
2. Remove oven racks and parts package from oven and shipping materials.
3. To remove cardboard bottom, first take 4 cardboard corners from the carton. Stack one cardboard corner on top of another. Repeat with the other 2 corners. Place them lengthwise on the floor behind the range to support the range when it is laid on its back.
4. Using two or more people, firmly grasp the range and gently lay it on its back on the cardboard corners.
5. Remove cardboard bottom.

NOTES:

- The leveling legs can be adjusted while the range is on its back.
- To place range back up into a standing position, put a sheet of cardboard or hardboard on the floor in front of range to protect the flooring. Using two or more people, stand range back up onto the cardboard or hardboard.

STEP 2 - INSTALL BACKSPLASH

For proper ventilation and to protect your wall from splatters, install the backsplash to the rear edge of the cooktop which extends past the back of the oven.

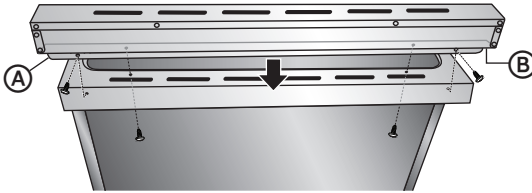
Parts Provided: Screws (6)

NOTE: 24" model uses (4) screws and the 36" model uses (6) screws

1. Align the holes in the backsplash with the holes in the back edge of the cooktop.
2. With one person holding the backsplash, and working from underneath the extended rear edge, insert screws through the bottom of the cooktop and into the bottom of the backsplash. Tighten completely.

NOTE: 24" model uses (2) screws and the 36" model uses (4) screws

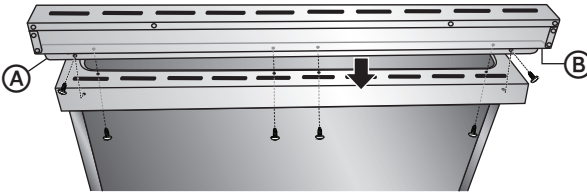
24" Model



(A) Backsplash - Back Edge

(B) Backsplash - Bottom Edge

36" Model



(A) Backsplash - Back Edge

(B) Backsplash - Bottom Edge

3. Insert the two screws (one on each side) through the back edge of the backsplash and into the cooktop. Tighten completely.

STEP 3 - INSTALL ANTI-TIP BRACKET

An Anti-Tip Bracket kit is provided with the range.

⚠ WARNING



Tip Over Hazard

A child or adult can tip the range and be killed.

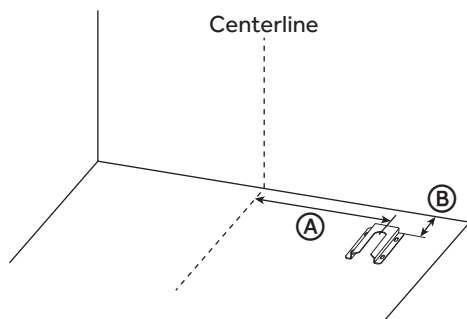
Connect anti-tip bracket to rear range foot.

Reconnect the anti-tip bracket, if the range is moved.

Failure to follow these instructions can result in death or serious burns to children and adults.

IMPORTANT: Do not completely remove the rear leveling leg. The anti-tip bracket uses either the right-hand or left-hand, rear leveling leg to secure the range to the floor.

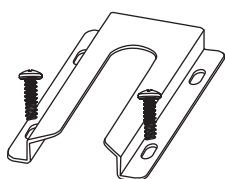
1. Remove the anti-tip bracket from where it is taped inside the oven or storage drawer.
2. Determine and mark centerline of the opening.
NOTE: The anti-tip bracket can be installed on either the left-hand side or right-hand side of the opening.
3. Place the anti-tip bracket onto the floor so that the distances from the center of the bracket to the center line and to the wall is correct for your model. See the following chart for the required distances.
4. Drill two $\frac{1}{8}$ " (3 mm) holes through the mounting holes in the anti-tip bracket and into the floor.



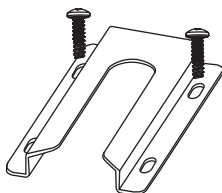
Model Size	Dimension A	Dimension B
24"	17½" (53.5 cm)	5" (12.7 cm)
36"	32¼" (83.5 cm)	5" (12.7 cm)

5. Using the two screws provided, secure the anti-tip bracket to the floor.

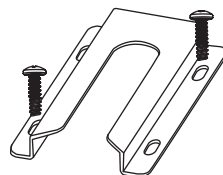
NOTE: A rear leg of the range will be centered within the anti-tip bracket when it is moved into its final position.



Front Position



Rear Position



Diagonal

STEP 4 - MAKE GAS CONNECTION

⚠ WARNING



Explosion Hazard

Use a new CSA International approved gas supply line.

Install a shut-off valve.

Securely tighten all gas connections.

If connected to LP, have a qualified person make sure gas pressure does not exceed 14" (36 cm) water column.

Examples of a qualified person include:

licensed heating personnel,
authorized gas company personnel, and
authorized service personnel.

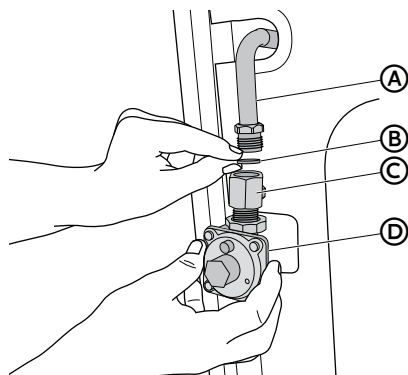
Failure to do so can result in death, explosion or fire.

TYPICAL FLEXIBLE CONNECTION

CONNECT BSPP TO NPT ADAPTER TO GAS REGULATOR:

1. Apply pipe-joint compound made for use with LP gas to the male threads of adapter ③.
2. Insert adapter ③ into outlet of the gas pressure regulator ④, and then tighten using two 10" adjustable wrenches. Be sure flow arrow on regulator is pointing up toward the range gas inlet pipe.
3. Install washer ② in female end of adapter ③, and then connect adapter ③ to range gas inlet pipe ① via compression fitting and tighten.

NOTE: Washer ② must be used to create a leak proof seal.



- ① Gas Line from Range
- ② Washer (provided)
- ③ Adapter (provided)
- ④ Gas Pressure Regulator (provided)

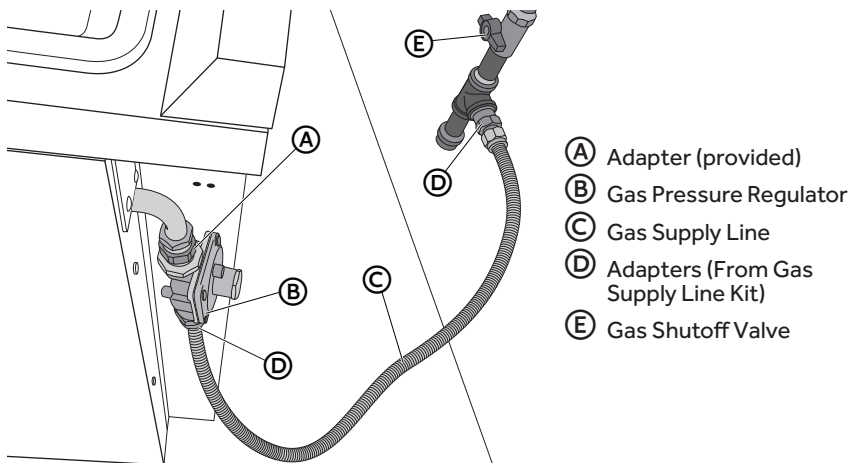
CONNECT GAS LINE FROM GAS PRESSURE REGULATOR TO GAS SUPPLY:

1. Apply pipe-joint compound made for use with LP gas to the tapered (NPT) threads of both adapters (D) supplied with gas line kit.
2. Attach one adapter to the gas pressure regulator and the other to the gas shutoff valve and tighten both.

NOTE: Do Not rotate the gas pressure regulator.

3. Attach the flexible gas line (C) to adapters (D), one adapter at each end.

IMPORTANT: All connections must be wrench tightened (requires two 10" adjustable wrenches). Do not over-tighten the connections to the gas pressure regulator. Overtightening may crack the regulator creating a leak.

**COMPLETE CONNECTION**

1. Open the manual shutoff valve in the gas supply line. The valve is open when the handle is parallel to the gas pipe.
2. Test all connections by brushing on an approved noncorrosive leak-detection solution. If bubbles appear, a leak is indicated. Correct any leak found.

STEP 5 - MAKE ELECTRICAL CONNECTION

⚠ WARNING



Electrical Shock Hazard

Plug into a grounded 3 prong outlet.

Do not remove the ground prong from the power cord plug.

Do not use an adapter.

Do not use an extension cord.

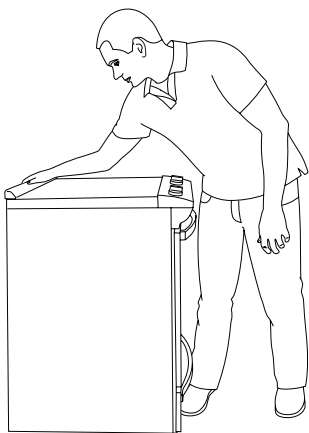
Failure to do so can result in death, fire or electrical shock.

1. Slide range close to final location.
2. Plug into a grounded 3 prong outlet.

STEP 6 - INSTALL RANGE

IMPORTANT: If the range is moved to adjust the leveling legs, make sure when you move the range back into its final location that the anti-tip bracket is engaged by repeating steps 1 through 8.

1. Slide range into final location, making sure rear leveling leg slides into anti-tip bracket. Leave a 1" (2.5 cm) gap between the back of the range and the back wall.
2. Place the outside of your foot against the bottom front to keep the range from moving, and then grasp the back of the range, as shown.



3. Slowly attempt to tilt the range forward.

If you encounter immediate resistance, the range foot is engaged in the anti-tip bracket. Go to Step 8.

4. If the rear of the range lifts more than $\frac{1}{2}$ " (1.3 cm) off the floor without resistance, stop tilting the range and lower it gently back to the floor. The range foot is not engaged in the anti-tip bracket.

IMPORTANT: If there is a snapping or popping sound when lifting the range, the range may not be fully engaged in the bracket. Check to see if there are obstructions keeping the range from sliding to the wall or keeping the range foot from sliding into the bracket. Verify that the bracket is held securely in place by the mounting screws.

5. Slide the range forward, and verify that the anti-tip bracket is securely attached to the floor or wall.
6. Slide range back so the rear range foot is inserted into the slot of the anti-tip bracket.
7. Repeat steps 1 and 2 to ensure that the range foot is engaged in the anti-tip bracket.

If the rear of the range lifts more than $\frac{1}{2}$ " (1.3 cm) off the floor without resistance, the anti-tip bracket may not be installed correctly. Do not operate the range without anti-tip bracket installed and engaged.

8. Move the range into its final location. Place a carpenter's level on the oven floor to check that the range is level from side to side and front to back.

NOTE: The range must be level for optimum cooking and baking performance.

9. If needed, use a wrench to adjust the height of the leveling legs until the range is level from side to side and front to back. See "Level the Range."

STEP 7 - LEVEL THE RANGE (IF NEEDED)

IMPORTANT: The range must be level.

The Range can be raised approximately 2" (5 cm) by adjusting the leveling legs.

1. If the range is not level, pull the range forward until rear leveling leg is disengaged from the anti-tip bracket.
2. Place a standard flat rack in oven.
3. Place the level on the rack.
4. Using a wrench or pliers, adjust the leveling legs up or down until the range is level.
5. Push range back into position. Check that rear leveling leg is engaged in the anti-tip bracket.

STEP 8 - CHECK OPERATION OF ELECTRONIC IGNITION SYSTEM

The cooktop and oven burners use electronic igniters in place of standing pilots. When the cooktop control knob is turned to the "ICON" position, the system creates a spark to light the burner.

This sparking continues, as long as the control knob is turned to "ICON."

When the oven control is turned to the desired setting, sparking occurs and ignites the gas.

Check Operation of Standard Surface Burners:

Push in and turn each control knob to the "ICON" position. The flame should light within 4 seconds. The first time a burner is lit, it may take longer than 4 seconds to light because of air in the gas line.

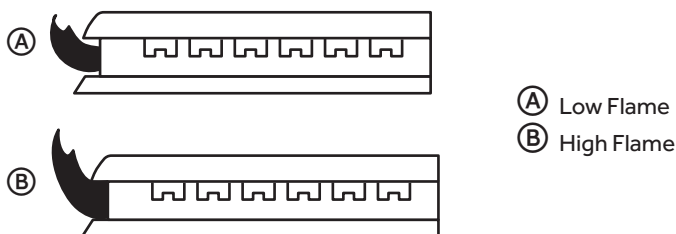
If burners do not light properly:

1. Turn burner control knob to the "OFF" position.
2. Check that the range is plugged in. Check that the circuit breaker has not tripped or the household fuse has not blown.
3. Check that the gas shutoff valves are set to the "open" position.
4. Check that burner caps are properly positioned on burner bases.

Repeat start-up. If a burner does not light at this point, turn the control knobs to the "OFF" position and contact your dealer or authorized service company for assistance.

To adjust flame height:

Adjust the height of burner flames. The cooktop "low" burner flame should be a steady blue flame approximately $\frac{1}{4}$ " (6.4 mm) high.

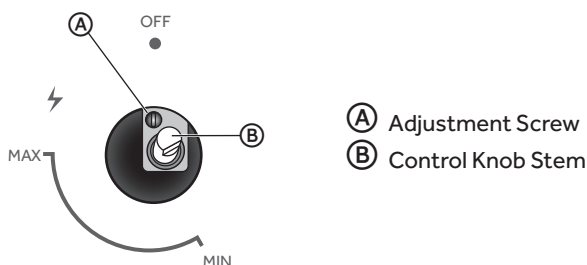


To adjust standard burner:

IMPORTANT: Adjustments must be made with two other burners in operation on a medium setting. This prevents the upper row of flames from being set too low, resulting in the flame being extinguished when other burners are turned on.

The flame can be adjusted using the adjustment screw in the center of the valve stem. The valve stem is located directly behind the control knob.

If the low flame needs to be adjusted:



- (A) Adjustment Screw
- (B) Control Knob Stem

1. Light one burner and turn the control knob to the lowest setting.
2. Remove the control knob.
3. Insert a small, flat-blade screwdriver into the adjustment screw, and slowly turn the screw until the flame appearance is correct.
 - Open the valve more if the flames are too small or fluttered.
 - Close the valve more if the flames are too large.
4. Replace the control knob.
5. Test the flame by turning the control from "LO" to "HI," checking the flame at each setting.
6. Repeat above steps for each burner.

GAS CONVERSION

⚠ WARNING



Explosion Hazard

Use a new CSA International approved gas supply line.

Install a shut-off valve.

Securely tighten all gas connections.

If connected to LP, have a qualified person make sure gas pressure does not exceed 14" (36 cm) water column.

Examples of a qualified person include:

licensed heating personnel,
authorized gas company personnel, and
authorized service personnel.

Failure to do so can result in death, explosion or fire.

LP/PROPANE GAS CONVERSION

This appliance can be used with Natural Gas or LP/Propane gas. It is shipped from the factory for use with natural gas. A kit for converting to LP gas is supplied with your cooktop. The kit is marked "FOR LP/PROPANE GAS CONVERSION".

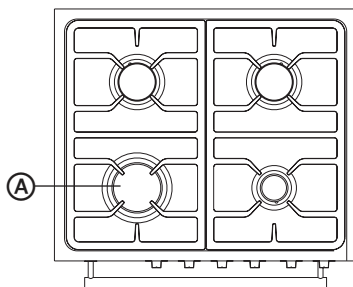
When the cooktop is converted for liquid petroleum (LP) gas, the LP gas supply is required to provide a minimum of 10" to a maximum of 14" water column to the cooktop regulator.

The conversion must be performed by a qualified service technician in accordance with the kit instructions and all local codes and requirements. Failure to follow instructions could result in serious injury or property damage. The qualified agency performing this work assumes responsibility for the conversion.

24" Burner and Orifice Characteristic Table

Burner	Position	Orifice	Gas	Pressure	Rate
		Diam. (mm)	Type	[i.w.c.]	[BTU/h]
Auxiliary	Front R	0.9	NG	4"	5000
		0.58	LP (Propane)	10"	5000
Semi-Rapid	Rear L	1.17	NG	4"	6859
		0.75	LP (Propane)	10"	6859
Triple	Front L	0.93 + 1.82	NG	4"	17357
		1.14 + 0.56	LP (Propane)	10"	15000
Rapid	Rear R	1.6	NG	4"	6859
		1.03	LP (Propane)	10"	6859

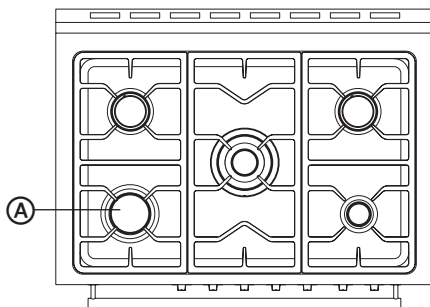
NOTE: The triple burner has only two injectors, one injector mounted in the center and one mounted below the cover plate. To access the second injector, remove the two screws and the cover plate.



- Ⓐ Opening in grate for wok ring (provided) is located over left front burner.

36" Burner and Orifice Characteristic Table

Burner	Position	Orifice	Gas	Pressure	Rate
		Diam. (mm)	Type	[i.w.c.]	[BTU/h]
Auxiliary	Front R	1.1	NG	4"	5000
		0.7	LP (Propane)	10"	5000
Semi-Rapid	Rear L and R	1.29	NG	4"	6859
		0.8	LP (Propane)	10"	6859
Dual Burner	Middle Inner	0.99*5	NG	4"	17357
	Middle Outer	0.56*6	LP (Propane)	10"	15000
Rapid Burner	Front L	1.45	NG	4"	8500
		0.91	LP (Propane)	10"	8500



Ⓐ Opening in grate for wok ring (provided) is located over left front burner.

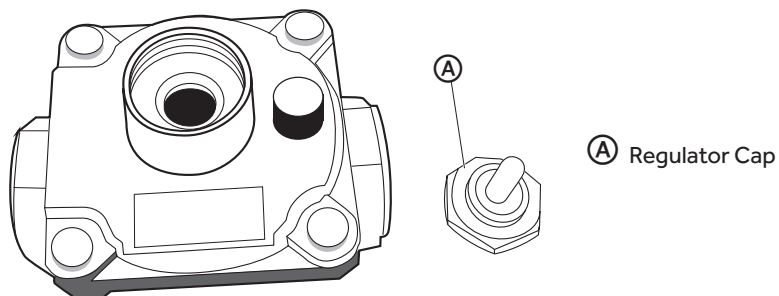
Tools Needed for Conversion:

- Wrench
- 7 mm Nut Driver
- Safety Glasses
- Small Flat-head Screwdriver

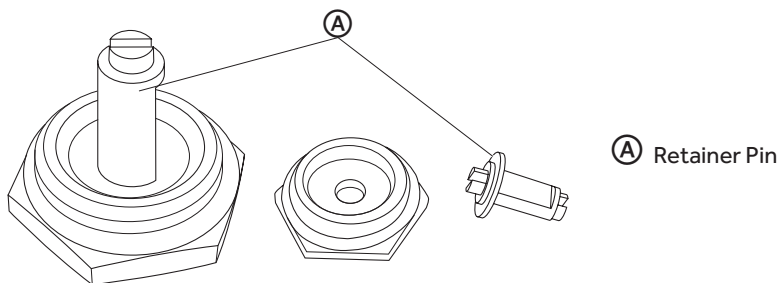
STEP 1 - ADJUST THE REGULATOR

IMPORTANT: Disconnect all electrical power, at the main circuit breaker or fuse box. Shut off the gas supply to the range by closing the manual shut-off valve.

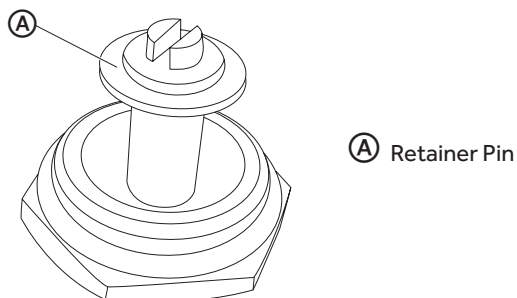
1. Unscrew the regulator cap with the wrench.



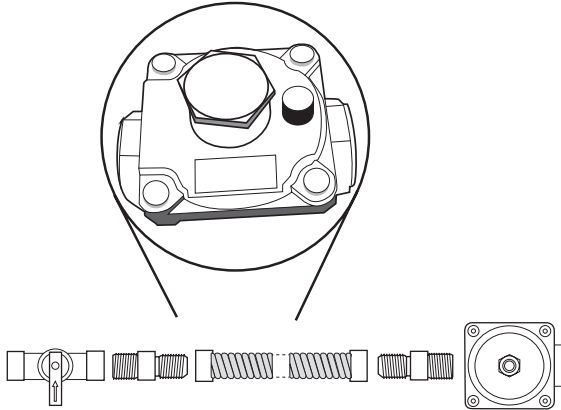
2. Remove the retainer pin that is currently positioned for use with Natural Gas.



3. Turn the retainer pin upside down and replace it into the regulator cap. It is now positioned for use with LP gas.



4. Screw the regulator cap back into the regulator and reattach the regulator to the nipple and flare union.

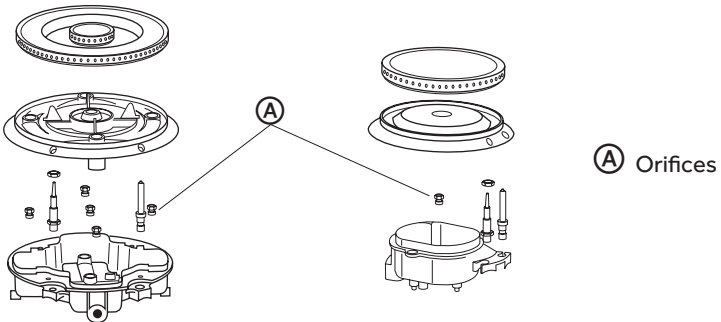


STEP 2 - CHANGE BURNER ORIFICES

IMPORTANT: Carefully read and observe each orifice label for correct location. See the Burner Chart earlier in this section.

NOTE: First remove all orifices and then start replacing them. This will help avoid the possibility that some may not be replaced.

1. Remove the burner grates, burner caps and burner heads.
2. Using a 7 mm nut driver, remove the burner orifices.

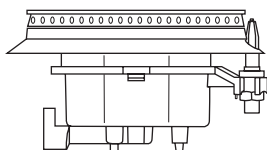


Triple Ring Burner
5 Orifices

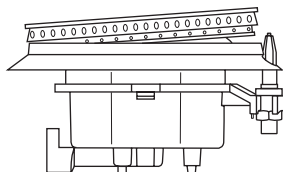
Auxiliary Burner
Semi-Rapid Burner
Rapid Burner
1 Orifice Each

A Orifices

3. Install the proper orifices in the exact locations as noted in the previous graphic.
4. Replace the burner bases, heads, caps and top grates. Make sure burner caps are properly seated on the burner head.



Properly Seated



Not Properly Seated

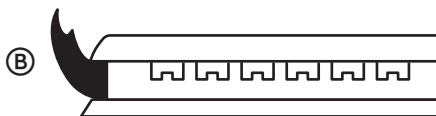
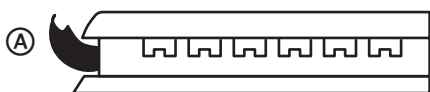
STEP 3 - ADJUST BURNER FLAMES

NOTES:

- Turn all burners on highest setting and check the flames. They should be blue in color and may have some yellow tipping at the ends of the flame when using LP gas. Foreign particles in the gas line may cause an orange flame at first, but this will soon disappear.
- Turn the cooktop burner knob to "LO" while observing the flame.
- Adjustments must be made with two other burners in operation on a medium setting. This prevents the upper row of flames from being set too low, resulting in the flame being extinguished when other burners are turned on.

To adjust flame height:

Adjust the height of burner flames. The cooktop "low" burner flame should be a steady blue flame approximately $\frac{1}{4}$ " (6.4 mm) high.

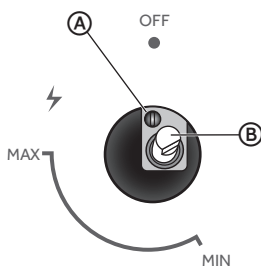


- (A) Low Flame
(B) High Flame

To adjust standard burner:

The flame can be adjusted using the adjustment screw in the center of the valve stem. The valve stem is located directly behind the control knob.

If the low flame needs to be adjusted:



- (A) Adjustment Screw
(B) Control Knob Stem

1. Light one burner and turn the control knob to the lowest setting.

2. Remove the control knob.
3. Insert a small, flat-blade screwdriver into the adjustment screw, and slowly turn the screw until the flame appearance is correct.
 - Open the valve more if the flames are too small or fluttered.
 - Close the valve more if the flames are too large.
4. Replace the control knob.
5. Test the flame by turning the control from "LO" to "HI," checking the flame at each setting.
6. Repeat above steps for each burner.

STEP 4 - TESTING FLAME STABILITY

Test 1 - Turn the knob from "HI" to "LO" quickly. If the upper row of flames goes out at this setting, increase the flame size and test again.

Test 2 - With the burner on "LO", open and close the cabinet door under the cooktop. If the air currents created by the door moving extinguish the flame, increase the flame height and test again.

STEP 5 - FLAME RE-CHECK

After the adjustment is made, turn all burners off. Ignite each burner individually. Observe the flame at the "HI" position. Rotate the knob to the lowest setting and be sure that the flame size decreases as the knob is rotated counterclockwise.

IMPORTANT: Once the conversion has been completed and has passed testing, fill out the conversion sticker and include your name, organization and the date conversion is made. Apply the sticker near the cooktop gas inlet opening to alert others in the future that this appliance has been converted. If converting back to Natural Gas, please remove the sticker so others know that the appliance is set to use its original gas.

ABNORMAL OPERATION

ANY OF THE FOLLOWING ARE CONSIDERED TO BE ABNORMAL OPERATION AND MAY REQUIRE SERVICING:

- Yellow tipping of the hob burner flame.
- Sooting up of cooking utensils.
- Burners not igniting properly.
- Burners failing to remain lit.
- Burners extinguished by oven door.
- Gas valves, which are difficult to turn.

IN CASE THE APPLIANCE FAILS TO OPERATE CORRECTLY, CONTACT THE AUTHORIZED SERVICE PROVIDER IN YOUR AREA

THE BURNERS REQUIRE NO REGULATION OF THE PRIMARY AIR

TABLE DES MATIÈRES

SÉCURITÉ DE LA CUISINIÈRE	29
EXIGENCES D'INSTALLATION.....	31
Outillage et pièces.....	31
Exigences d'emplacement.....	32
Exigences électriques	36
Spécifications de l'alimentation en gaz	37
INSTRUCTIONS D'INSTALLATION	40
Étape 1 - Déballage de la cuisinière	40
Étape 2 - Installation du dossier	41
Étape 3 - Installation de la bride antibasculement.....	42
Étape 4 - Raccordement au gaz	44
Étape 5 - Raccordement électrique	46
Étape 6 - Installation de la cuisinière	46
Étape 7 - Nivellement de la cuisinière (au besoin).....	48
Étape 8 - Contrôle du fonctionnement du système d'allumage électronique	48
CONVERSION POUR CHANGEMENT DE GAZ	50
Étape 1 - Réglage du détendeur	52
Étape 2 - Remplacement des orifices des brûleurs	53
Étape 3 - Réglage des flammes des brûleurs	54
Étape 4 - Test de la stabilité des flammes	56
Étape 5 - Second test des flammes	56

Votre sécurité et celle des autres est très importante.

Nous donnons de nombreux messages de sécurité importants dans ce manuel et sur votre appareil ménager. Assurez-vous de toujours lire tous les messages de sécurité et de vous y conformer.



Voici le symbole d'alerte de sécurité.

Ce symbole d'alerte de sécurité vous signale les dangers potentiels de décès et de blessures graves à vous et à d'autres. Tous les messages de sécurité suivront le symbole d'alerte de sécurité et le mot "DANGER", "AVERTISSEMENT" ou "ATTENTION".

Ces mots signifient :

! DANGER

Une situation de danger imminent. Vous courez le risque d'un décès ou de blessures graves si vous ne suivez pas immédiatement les instructions.

! AVERTISSEMENT

Une situation potentiellement dangereuse qui, si vous ne l'évitez pas, peut provoquer la mort ou des blessures graves.

! ATTENTION

Une situation potentiellement dangereuse qui, si vous ne l'évitez pas, peut entraîner des blessures légères à modérées.

Tous les messages de sécurité vous diront quel est le danger potentiel et comment réduire le risque de blessure et ce qui peut se produire en cas de non-respect des instructions.

⚠ AVERTISSEMENT



Risque d'incendie

Si les informations figurant dans ce manuel ne sont pas suivies à la lettre, il peut en résulter un incendie ou une explosion pouvant causer des dégâts matériels, des blessures, voire un décès.

- Ne pas ranger et utiliser d'essence ou d'autres vapeurs et liquides inflammables à proximité de cet appareil ou d'un autre appareil.
- QUE FAIRE SI VOUS SENTEZ UNE ODEUR DE GAZ
 - Ne pas essayer d'allumer un appareil.
 - Ne pas toucher d'interrupteur électrique.
 - Ne pas utiliser de téléphone dans votre bâtiment.
 - Faire évacuer tous les occupants de la pièce, du bâtiment ou de la zone concernée.
 - Appeler immédiatement votre fournisseur de gaz depuis chez un voisin. Suivre les instructions de votre fournisseur de gaz.
 - Si le fournisseur de gaz ne peut être rejoint, appeler les pompiers.
- L'installation et la maintenance doivent être confiées à un installateur qualifié, à un réparateur agréé ou au fournisseur de gaz.

AVERTISSEMENT : L'odorat ne permet pas toujours la détection d'une fuite de gaz.

Les distributeurs de gaz recommandent l'emploi d'un détecteur de gaz (homologation UL ou CSA).

Pour d'autre information, contacter le fournisseur de gaz local.

En cas de détection d'une fuite de gaz, exécuter les instructions "Que faire dans le cas d'une odeur de gaz".

⚠ AVERTISSEMENT



Risque de basculement

Un enfant ou une personne adulte peut faire basculer la cuisinière ce qui peut causer un décès.

Joindre la bride antibasculement au pied arrière de la cuisinière.

Joindre de nouveau la bride antibasculement si la cuisinière est déplacée.

Le non-respect de ces instructions peut causer un décès ou des brûlures graves aux enfants et aux adultes.

EXIGENCES D'INSTALLATION

OUTILLAGE ET PIÈCES

Rassembler les outils et composants nécessaires avant d'entreprendre l'installation. Lire et observer les instructions fournies avec chacun des outils de la liste ci-dessous.

OUTILS NÉCESSAIRES

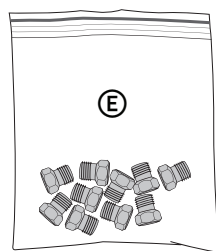
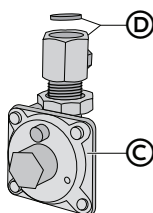
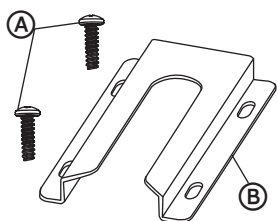
- Mètre enrouleur
- Tournevis à lame plate
- Tournevis Phillips
- Niveau
- Perceuse électrique sans fil
- Marteau
- Clé ou pince
- Clé à tuyauterie
- Clé mixte de $1\frac{5}{16}$ "
- Tourne-écrou de $\frac{3}{8}$ "
- Tourne-écrou de $\frac{1}{4}$ "
- Foret de $\frac{1}{8}$ " (3,2 mm) (pour planchers en bois)
- Marqueur ou crayon
- Ruban adhésif de masquage
- Composé d'étanchéité des raccords filetés – résistant au GPL
- Foret à maçonnerie à pointe carburée de $\frac{3}{16}$ " (4,8 mm) (pour planchers en béton/céramique)
- Solution non corrosive de détection des fuites

Pour conversions pour GPL / gaz naturel

- Clé mixte de $\frac{1}{2}$ "
- Clé mixte de 7 mm
- Tourne-écrou de 7 mm

PIÈCES FOURNIES

Vérifier que toutes les pièces sont présentes.



(A) Vis de 16 x 1 $\frac{5}{8}$ " (2)

(B) La bride antibasculement

(C) Détendeur

(D) Adaptateur pour
conduite de gaz avec
rondelle

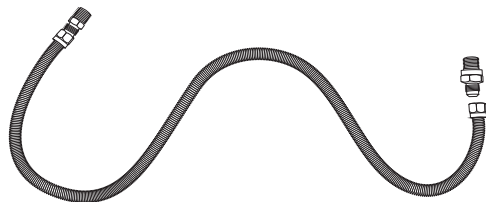
(E) Ensemble de
conversion au gaz
propane/naturel

REMARQUE : Les brides antibasculement doivent être solidement fixées au sous-plancher. La profondeur du plancher peut nécessiter des vis plus longues pour l'ancrage de la bride dans le sous-plancher. Des vis plus longues sont disponibles auprès de votre quincaillerie locale.

PIÈCES NÉCESSAIRES

Vérifier les codes locaux et consulter le fournisseur de gaz. Vérifier l'alimentation en gaz et l'alimentation électrique existantes. Voir les sections "Spécifications électriques" et "Spécifications de l'alimentation en gaz".

- Ensemble de conduite d'alimentation en gaz (conduite d'alimentation et 2 adaptateurs)

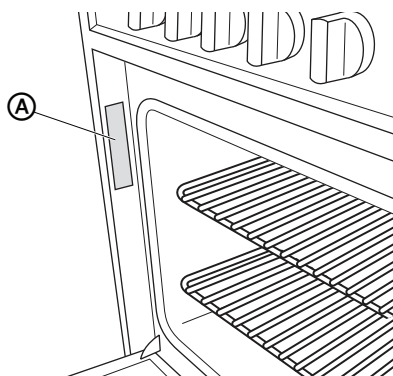


EXIGENCES D'EMPLACEMENT

VENTILATION

IMPORTANT : Respecter les dispositions de tous les codes et règlements en vigueur. Ne pas obstruer le flux de combustion et l'air de ventilation.

- C'est à l'installateur qu'incombe la responsabilité de respecter les distances de séparation exigées, si spécifiées sur la plaque signalétique de l'appareil. La plaque signalétique est située du côté gauche du cadre du four. Ouvrir la porte du four pour lire l'étiquette. Consulter l'étiquette située sur le panneau arrière de la cuisinière pour des données supplémentaires et connaître la puissance nominale du four.



Ⓐ Plaque signalétique

TEMPÉRATURE

IMPORTANT : Ce four a été conçu conformément aux exigences des normes UL et CSA International et respecte la température maximale permise de 194 °F (90 °C) pour les placards en bois.

- Les matériaux de certains placards et certains matériaux de construction ne sont pas conçus pour résister à la chaleur générée par le four durant la cuisson au four ou l'autonettoyage. Consulter le constructeur de la maison ou le fabricant des placards pour déterminer si les matériaux utilisés pourraient subir un changement de couleur, une déstratification ou d'autres dommages.
- Contacter un installateur de revêtement de sol qualifié, qui pourra déterminer si le revêtement de sol peut résister à une température d'au moins 200 °F (93 °C).
- Dans le cas de l'installation de la cuisinière par dessus un tapis, placer sous la cuisinière une plaque d'appui isolée, ou une plaque de contreplaqué de ¼" (0,64 cm).

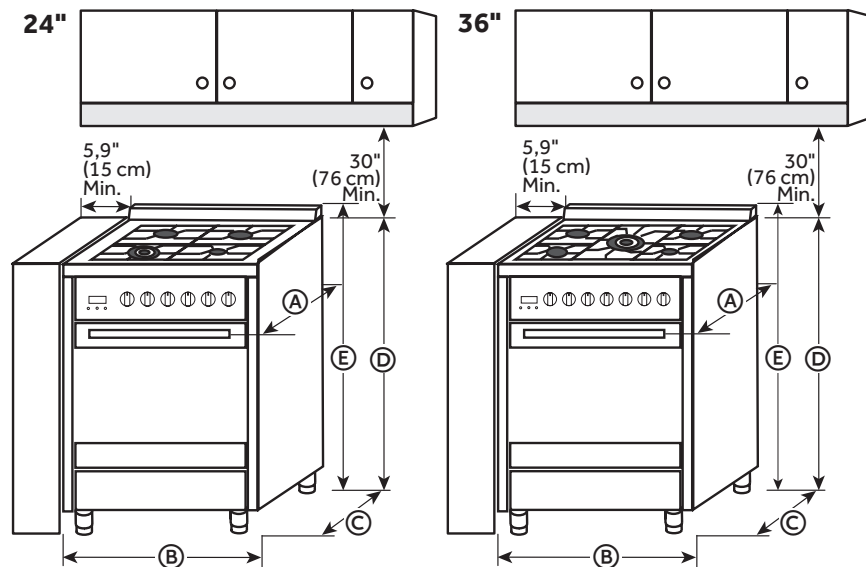
RENSEIGNEMENTS GÉNÉRAUX

- La cuisinière doit être placée de manière à permettre une utilisation pratique dans la cuisine.
- Dans le cas d'une cuisinière encastrée, l'enceinte doit recouvrir complètement les côtés et l'arrière de la cuisinière.
- Afin de minimiser le risque de brûlures ou d'incendie au-dessus de la table de cuisson, on doit éviter d'installer un placard mural. Si le rangement en placard est envisagé, le risque peut être réduit par l'installation d'une hotte de cuisinière ou un ensemble hotte/micro-ondes opérant horizontalement sur un minimum de 5" (12,7 cm) au-delà du bas des placards.
- Toutes les ouvertures dans le mur ou le plancher de l'emplacement d'installation de la cuisinière doivent être scellées.
- Ne pas réaliser un scellement entre la cuisinière et les placards latéraux.
- Une source d'électricité avec liaison à la terre est nécessaire. Voir la section "Spécifications électriques".
- Une source de gaz adéquate doit être disponible. Voir la section "Spécifications de l'alimentation en gaz".

DIMENSIONS

Produit/ouverture

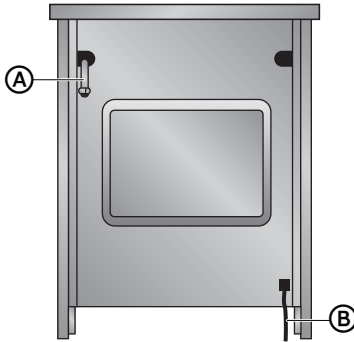
Les dimensions d'ouverture illustrées correspondent à une installation entre des placards de 24" (61,0 cm) de profondeur, avec plan de travail de 25" (64,0 cm) de profondeur et de 36" (91,4 cm) de hauteur.



Taille du modèle	A. Profondeur avec poignée	B. Largeur	C. Profondeur	D. Hauteur jusqu'à la surface de la table de cuisson	E. Hauteur totale
24"	25 $\frac{1}{5}$ " (64,28 cm)	23 $\frac{2}{5}$ " (60 cm)	23 $\frac{3}{5}$ " (60 cm)	36" (91 cm)	37 $\frac{3}{5}$ " (95,5 cm)
36"	25 $\frac{1}{5}$ " (64,28 cm)	35 $\frac{2}{5}$ " (90 cm)	23 $\frac{3}{5}$ " (60 cm)	36" (91 cm)	37 $\frac{3}{5}$ " (95,5 cm)

REMARQUE : La cuisinière peut être surélevée d'environ 1" (2,5 cm) en ajustant les pieds de nivellement. L'avant de la porte et du tiroir peuvent s'avancer davantage en fonction de l'agencement souhaité.

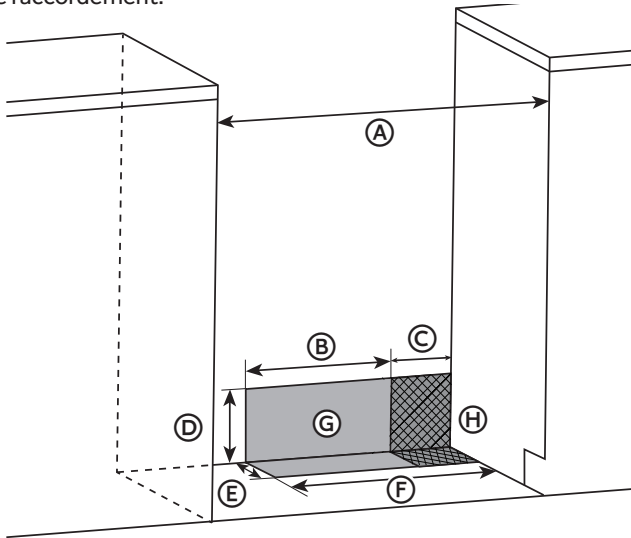
Arrière de la cuisinière



- (A) Conduite de gaz sortant de la cuisinière
- (B) Cordon d'alimentation

Alimentation électrique

IMPORTANT : Une prise électrique au plancher peut être soit encastrée soit montée en surface, mais une prise électrique murale doit être encastrée pour pouvoir effectuer le raccordement.



- (A) 24" Modèle - 23 $\frac{3}{8}$ " (60 cm)
36" Modèle - 35 $\frac{3}{8}$ " (90 cm)
- (B) 11 $\frac{1}{2}$ " (29,2 cm)
- (C) 6" (15,2 cm)
- (D) 7 $\frac{1}{4}$ " (18,4 cm)
- (E) 3" (7,6 cm)
- (F) 17 $\frac{1}{2}$ " (44 cm)
- (G) Emplacement conseillé pour la prise électrique
- (H) Emplacement conseillé pour le raccordement à l'alimentation en gaz

***REMARQUE :** Distance de séparation minimale de 24" (61 cm) lorsque le fond d'un placard de bois ou de métal est protégé par une planche ignifugée d'au moins $\frac{1}{4}$ " (0,64 cm) recouverte d'une tôle d'acier d'épaisseur égale ou supérieure au calibre 28 MSG, d'acier inoxydable de 0,015" (0,4 mm), d'aluminium de 0,024" (0,6 mm), ou de cuivre de 0,020" (0,5 mm). Distance de séparation minimale de 30" (76,2 cm) entre le dessus de la table de cuisson et le fond d'un placard de bois ou de métal non protégé.

EXIGENCES ÉLECTRIQUES

⚠ AVERTISSEMENT



Risque de choc électrique

Brancher sur une prise à 3 alvéoles reliée à la terre.

Ne pas enlever la broche de liaison à la terre du cordon d'alimentation.

Ne pas utiliser un adaptateur.

Ne pas utiliser un câble de rallonge.

Le non-respect de cette instruction pourrait causer un décès, un incendie ou un choc électrique.

IMPORTANT : La cuisinière doit être reliée à la terre en conformité avec les codes et règlements locaux en vigueur, ou en l'absence de codes locaux, avec le National Electrical Code, ANSI/NFPA 70 ou le Code canadien des installations électriques, CSA C22.1.

Cette cuisinière est dotée d'un système d'allumage électronique qui ne fonctionnera pas en cas de branchement dans une prise qui n'est pas correctement polarisée.

Si les codes le permettent et si on utilise un conducteur distinct de liaison à la terre, il est recommandé qu'un électricien qualifié vérifie la qualité de la liaison à la terre.

On peut obtenir un exemplaire de la norme ci-dessus auprès de :

National Fire Protection Association
1 Batterymarch Park
Quincy, MA 02169-7471

CSA International
8501 East Pleasant Valley Road
Cleveland, OH 44131-5575

- L'appareil doit être alimenté par un circuit de 120 V, CA seulement, 60 Hz, 15 ampères, protégé par fusible. On recommande également d'utiliser un fusible ou un disjoncteur temporisé. Il est recommandé de raccorder l'appareil sur un circuit distinct exclusif à cet appareil.
- Les systèmes d'allumage électronique fonctionnent avec des limites de tension étendues, mais une liaison à la terre correcte et une polarité appropriée sont nécessaires. Vérifier que la prise fournit une alimentation de 120 V et qu'elle est correctement reliée à la terre.
- Il n'est pas nécessaire de brancher cette cuisinière à gaz sur une prise équipée d'un disjoncteur différentiel. Il est recommandé de ne pas brancher une cuisinière à gaz ou tout autre gros appareil électroménager à allumage électrique par étincelle dans une prise murale à disjoncteur différentiel, car ce dernier peut se déclencher lors de l'utilisation normale de l'allumeur.

- La performance de cette cuisinière n'est pas affectée si elle fonctionne sur un circuit protégé par disjoncteur différentiel. Toutefois, le déclenchement intempestif du disjoncteur différentiel en utilisation normale peut se produire du fait de la nature des cuisinières à gaz à allumage électronique.
- Le schéma de câblage est situé à l'arrière de la cuisinière, dans un sachet plastique transparent.

REMARQUE : Le châssis métallique de la cuisinière doit être relié à la terre pour que le tableau de commande puisse fonctionner. Si le châssis métallique de la cuisinière n'est pas relié à la terre, aucune touche ne fonctionne. En cas de doute, consulter un électricien qualifié pour savoir si le châssis métallique de la cuisinière est relié à la terre.

SPÉCIFICATIONS DE L'ALIMENTATION EN GAZ

⚠ AVERTISSEMENT



Risque d'explosion

Utiliser une canalisation neuve d'alimentation en gaz approuvée par la CSA International.

Installer un robinet d'arrêt.

Bien serrer chaque organe de connexion des raccordements au gaz.

En cas de connexion au GPL, demander à une personne qualifiée de s'assurer que la pression de gaz ne dépasse pas 36 cm (14 po) de la colonne d'eau.

Par personne qualifiée, on comprend :

le personnel autorisé de chauffage,
le personnel autorisé d'une compagnie de gaz, et
le personnel d'entretien autorisé.

Le non-respect de ces instructions peut causer un décès, une explosion ou un incendie.

Observer toutes les prescriptions des codes et règlements en vigueur.

IMPORTANT : L'installation doit satisfaire aux critères de tous les codes et règlements locaux. En l'absence de code local, l'installation doit satisfaire aux prescriptions de la plus récente édition du code national en vigueur : National Fuel Gas Code ANSI Z223.1 (American National Standard), ou CAN/CGA B149.

IMPORTANT : Les tests de fuite de la cuisinière doivent être effectués selon les instructions du fabricant.

TYPE DE GAZ

Gaz naturel:

La conception de cette cuisinière a été homologuée par CSA International pour l'alimentation au gaz naturel, ou pour l'alimentation au GPL après conversion adéquate.

- Cette cuisinière a été configurée à l'usine pour l'alimentation au gaz naturel. Voir la section "Conversions pour changement de gaz". La plaque signalétique des numéros de modèle et de série située sur le côté droit de la garniture de la porte du four indique les types de gaz utilisables. Si le type de gaz disponible n'est pas mentionné sur la plaque signalétique, consulter le fournisseur de gaz local.

Conversion au GPL :

IMPORTANT : L'opération de conversion doit être exécutée par un technicien qualifié.

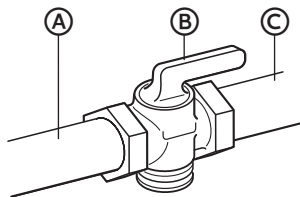
Consulter le fournisseur de gaz avant toute conversion de l'appareil pour l'utilisation d'un type de gaz qui n'est pas mentionné sur la plaque signalétique. Voir la section "Conversions pour changement de gaz".

CANALISATION DE GAZ

Installer une canalisation de gaz rigide de $\frac{3}{4}$ " (1,9 cm) jusqu'à l'emplacement d'installation de la cuisinière. L'emploi d'une canalisation de plus petit diamètre ou plus longue peut engendrer une déficience du débit d'alimentation. On doit utiliser un composé d'étanchéité des tuyauteries résistant à l'action du gaz de pétrole liquéfié. Pour l'alimentation au GPL, le diamètre des canalisations doit être de $\frac{1}{2}$ " (1,3 cm) ou plus. Généralement, le fournisseur de GPL détermine les matériaux à utiliser et le diamètre approprié.

Robinet d'arrêt du gaz :

- La canalisation d'alimentation en gaz doit comporter un robinet d'arrêt manuel. Le robinet d'arrêt manuel doit être séparé de la cuisinière, mais doit se trouver dans la même pièce en un endroit où il sera facilement accessible pour les manoeuvres d'ouverture/fermeture. Ne pas entraver l'accès au robinet d'arrêt manuel. Le robinet d'arrêt manuel est prévu pour ouvrir ou fermer l'alimentation en gaz de la cuisinière.



- (A) Canalisation de gaz
- (B) Robinet d'arrêt manuel - position d'ouverture
- (C) Conduite de gaz flexible/rigide vers la cuisinière

Raccord métallique flexible :

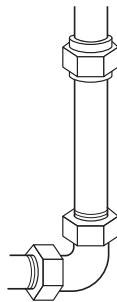
- Si les codes locaux le permettent, on peut utiliser pour raccorder la cuisinière à la canalisation de gaz un raccord métallique flexible neuf (homologation CSA) de 4 à 5 pi (122 à 152,4 cm) de longueur, de diamètre interne de $\frac{1}{2}$ " (1,3 cm) ou $\frac{3}{4}$ " (1,9 cm).



- Un raccord avec filetage mâle de $\frac{1}{2}$ " (1,3 cm) est nécessaire pour la connexion sur le raccord à filetage femelle à l'entrée du détendeur de l'appareil.
- Veiller à ne pas déformer/écraser/endommager le tube métallique flexible lors d'un déplacement de la cuisinière.

Raccordement par un ensemble rigide :

On doit utiliser une combinaison de raccords pour réaliser un raccordement rigide entre la cuisinière et la canalisation de gaz. Le tuyau rigide doit se trouver au même niveau que le raccord de connexion de la cuisinière. On doit veiller à ne soumettre les sections de canalisation d'alimentation à aucun effort de traction ou flexion, pour que la cuisinière soit d'aplomb et correctement alignée.



DÉTENDEUR DE GAZ

Le détendeur fourni avec cette cuisinière doit être utilisé. Pour un fonctionnement correct, la pression d'alimentation du détendeur doit être comme suit :

Gaz naturel:

Pression minimum : 5" (colonne d'eau)

Pression maximum : 14" (colonne d'eau)

GPL :

Pression minimum : 11" (colonne d'eau)

Pression maximum : 14" (colonne d'eau)

En cas d'incertitude quant à la pression d'alimentation à établir, contacter le fournisseur de gaz local.

Débit thermique des brûleurs

Les débits thermiques indiqués sur la plaque signalétique correspondent à une altitude d'utilisation inférieure à 2000 pi (609,6 m).

Lorsque l'appareil est utilisé à une altitude supérieure à 2000 pi (609,6 m), on doit réduire le débit thermique indiqué de 4 % pour chaque tranche de 1000 pi (304,8 m) au-dessus du niveau de la mer (pas applicable au Canada).

TESTS DE PRESSURISATION DE LA CANALISATION DE GAZ

Pression d'alimentation en gaz pour le régulateur d'essai doit être d'au moins 1" colonne d'eau sous pression (WCP) au-dessus de la pression du collecteur montré sur le modèle / série plaque signalétique.

Pressurisation à une pression supérieure à ½ lb/po² (14" - colonne d'eau)

Lors de tout test de pressurisation de ce système à une pression supérieure à ½ lb/po² (3,5 kPa), on doit déconnecter la cuisinière et son robinet d'arrêt individuel de la canalisation de gaz.

Pressurisation à une pression inférieure à ½ lb/po² (14" - colonne d'eau)

Lors de tout test de pressurisation de la canalisation de gaz à une pression égale ou inférieure à ½ lb/po² (3,5 kPa), on doit isoler la cuisinière de la canalisation de gaz par fermeture de son robinet d'arrêt manuel individuel.

INSTRUCTIONS D'INSTALLATION

IMPORTANT : Cet appareil doit être installé uniquement par des personnes autorisées et en conformité avec les instructions d'installation du fabricant, les règlements locaux en matière de raccordement au gaz, les codes du bâtiment municipaux, les règlements spécifiques au câblage électrique, les règlements d'approvisionnement en eau locaux.

ÉTAPE 1 - DÉBALLAGE DE LA CUISINIÈRE

AVERTISSEMENT

Risque du poids excessif

Utiliser deux personnes ou plus pour déplacer et installer la cuisinière.

Le non-respect de cette instruction peut causer une blessure au dos ou d'autre blessure.

1. Ôter les matériaux d'emballage, le ruban adhésif et la pellicule protectrice de la cuisinière. Garder la base de carton sous la cuisinière. Ne rien jeter avant d'avoir complètement terminé l'installation.
2. Retirer les grilles de four et le sachet de pièces du four et les matériaux d'emballage.
3. Pour retirer le fond en carton, prendre d'abord les 4 coins en carton de la caisse. Empiler l'un des coins sur un autre. Répéter avec les 2 autres coins. Les disposer sur le plancher dans le sens de la longueur derrière la cuisinière, à titre de support de la cuisinière lorsque celle-ci est placée sur sa partie postérieure.

- À l'aide d'au moins deux personnes, saisir fermement la cuisinière et la déposer délicatement sur sa partie postérieure, sur les coins de protection.
- Retirer le fond en carton.

REMARQUES :

- Les pieds de nivellement peuvent être réglés pendant que la cuisinière repose sur sa partie postérieure.
- Pour relever la cuisinière en position verticale, placer un carton ou un panneau de fibres dur au sol devant la cuisinière pour protéger le plancher. À deux personnes au moins, redresser la cuisinière et la placer sur le carton ou le panneau de fibres dur.

ÉTAPE 2 - INSTALLATION DU DOSSERET

Pour une aération adéquate et pour protéger les murs contre les éclaboussures, installer le dossier sur le bord arrière de la table de cuisson qui dépasse de l'arrière du four.

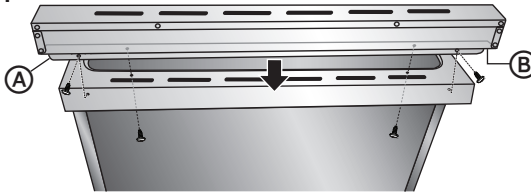
Pièces fournies : Vis (6)

REMARQUE : Les modèles de 24" utilisent 4 vis et ceux de 36", 6 vis.

- Aligner les trous du dossier avec les trous du bord arrière de la table de cuisson.
- À l'aide d'une personne maintenant le dossier en place et en travaillant par le dessous du bord arrière dépassant, insérer les vis à travers le bord inférieur de la table de cuisson jusqu'à dans les trous du bord inférieur du dossier. Serrer complètement.

REMARQUE : Les modèles de 24" utilisent 2 vis et ceux de 36", 4 vis.

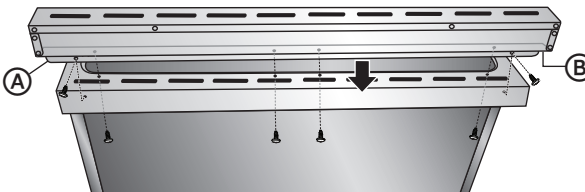
Modèle de 24"



(A) Dossieret : bord arrière

(B) Dossieret : bord inférieur

Modèle de 36"



(A) Dossieret : bord arrière

(B) Dossieret : bord inférieur

- Insérer les deux vis (une de chaque côté) à travers le bord arrière du dossieret et dans la table de cuisson. Serrer complètement.

ÉTAPE 3 - INSTALLATION DE LA BRIDE ANTIBASCULEMENT

Une bride antibasculement est fournie avec la cuisinière.

⚠ AVERTISSEMENT



Risque de basculement

Un enfant ou une personne adulte peut faire basculer la cuisinière ce qui peut causer un décès.

Joindre la bride antibasculement au pied arrière de la cuisinière.

Joindre de nouveau la bride antibasculement si la cuisinière est déplacée.

Le non-respect de ces instructions peut causer un décès ou des brûlures graves aux enfants et aux adultes.

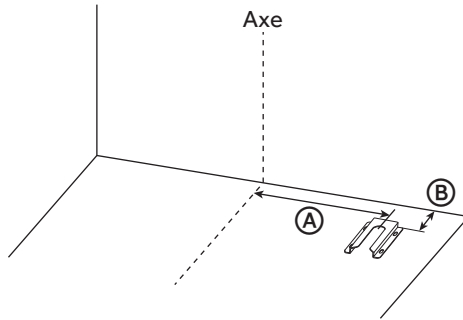
IMPORTANT : Une trousse de support antibasculement est incluse avec la cuisinière. La bride antibasculement utilise le pied de nivellement droit ou gauche afin de fixer la cuisinière au plancher.

1. Ôter la bride antibasculement fixée par du ruban adhésif à l'intérieur du four ou du tiroir de remisage.
2. Déterminer et marquer l'axe central de l'ouverture.

REMARQUE : On peut installer la bride antibasculement du côté gauche ou droit de l'ouverture.

3. Placer la bride antibasculement sur le sol de sorte que les distances à partir du centre de la bride à l'axe central et au mur soient correctes par rapport au modèle à installer. Voir le tableau suivant pour les distances requises.

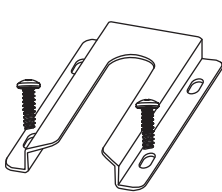
4. Percer deux trous de $\frac{1}{8}$ " (3 mm) à travers les orifices de montage sur la bride antibasculement et dans le plancher.



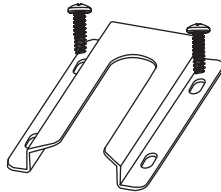
Taille du modèle	Dimension A	Dimension B
24"	17½" (53,5 cm)	5" (12,7 cm)
36"	32½" (83,5 cm)	5" (12,7 cm)

5. Au moyen des deux vis fournies, fixer la bride antibasculement au sol.

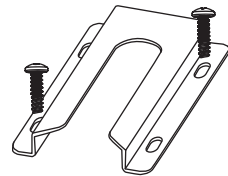
REMARQUE : Un des pieds arrière de la cuisinière sera centré avec la bride antibasculement une fois déplacé à son emplacement final.



Position avant



Position arrière



Diagonale

ÉTAPE 4 - RACCORDEMENT AU GAZ

⚠ AVERTISSEMENT



Risque d'explosion

Utiliser une canalisation neuve d'alimentation en gaz approuvée par la CSA International.

Installer un robinet d'arrêt.

Bien serrer chaque organe de connexion des raccordements au gaz.

En cas de connexion au GPL, demander à une personne qualifiée de s'assurer que la pression de gaz ne dépasse pas 36 cm (14 po) de la colonne d'eau.

Par personne qualifiée, on comprend :

le personnel autorisé de chauffage,
le personnel autorisé d'une compagnie de gaz, et
le personnel d'entretien autorisé.

Le non-respect de ces instructions peut causer un décès, une explosion ou un incendie.

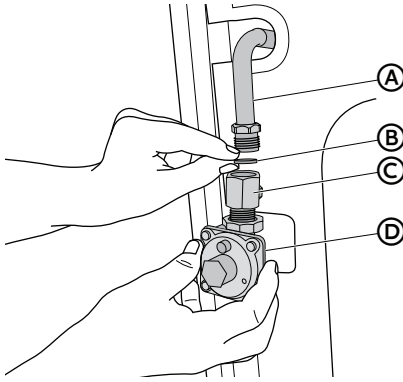
RACCORD MÉTALLIQUE FLEXIBLE TYPIQUE

RACCORDER L'ADAPTATEUR DE LIAISON BSPP À NPT AU DÉTENDEUR :

1. Appliquer une pâte à joints résistante au propane sur le filetage mâle de l'adaptateur ©.
2. Insérer l'adaptateur © dans la prise du détendeur Ⓣ, puis serrer au moyen de deux clés à molette de 10". S'assurer que la flèche d'écoulement du gaz inscrite sur le corps du détendeur soit orientée vers la canalisation d'entrée de gaz de la cuisinière.

3. Installer la rondelle (B) sur l'extrémité femelle de l'adaptateur (C), puis raccorder ensuite l'adaptateur (C) à la canalisation d'entrée de gaz (A) au moyen du raccord à compression et en serrant.

REMARQUE : La rondelle (B) doit être utilisée pour créer un scellage anti-fuites.



- (A) Conduite de gaz sortant de la cuisinière
- (B) Rondelle (fournie)
- (C) Adaptateurs (fournie)
- (D) Détecteur-régulateur de gaz (fournie)

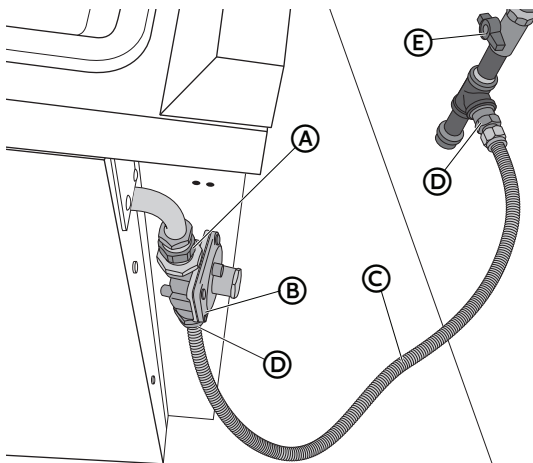
RACCORDER LA CONDUITE DE GAZ DU DÉTENDEUR À L'ALIMENTATION EN GAZ :

1. Appliquer une pâte à joints résistante au propane sur le filetage effilé (NPT) des deux adaptateurs (D) fournis avec l'ensemble de conduite à gaz.
2. Fixer un adaptateur sur le détendeur et l'autre adaptateur sur le robinet d'arrêt de la canalisation de gaz, puis serrer les deux.

REMARQUE : Ne pas tourner le détendeur.

3. Fixer la conduite de gaz flexible (C) aux adaptateurs (D), un adaptateur à chaque extrémité.

IMPORTANT : Tous les raccords doivent être serrés avec une clé (requiert deux clés à molette de 10"). Ne pas serrer excessivement les raccords sur le détendeur. Un serrage excessif peut fendre le détendeur et donc provoquer une fuite.



- (A) Adaptateur (fournie)
- (B) Détecteur-régulateur de gaz
- (C) Canalisation d'alimentation en gaz
- (D) Adaptateurs (à partir de l'ensemble de conduite d'alimentation en gaz).
- (E) Robinet d'arrêt du gaz

ACHEVER LE RACCORDEMENT

1. Ouvrir le robinet d'arrêt manuel sur la canalisation de gaz (la manette doit être parallèle au tuyau).
2. Effectuer une recherche des fuites : appliquer au pinceau sur les connexions une solution non corrosive de détection des fuites; la formation de bulles identifiera une fuite. Éliminer toute fuite constatée.

ÉTAPE 5 - RACCORDEMENT ÉLECTRIQUE

⚠ AVERTISSEMENT



Risque de choc électrique

Brancher sur une prise à 3 alvéoles reliée à la terre.

Ne pas enlever la broche de liaison à la terre du cordon d'alimentation.

Ne pas utiliser un adaptateur.

Ne pas utiliser un câble de rallonge.

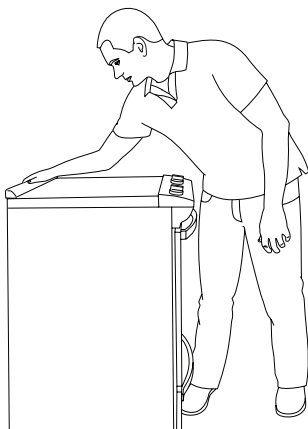
Le non-respect de cette instruction pourrait causer un décès, un incendie ou un choc électrique.

1. Faire glisser la cuisinière à proximité de son emplacement final.
2. Brancher sur une prise de courant à 3 alvéoles, reliée à la terre.

ÉTAPE 6 - INSTALLATION DE LA CUISINIÈRE

IMPORTANT : Si la cuisinière est déplacée pour régler les pieds de nivellement, s'assurer que la bride antibasculement est engagée en répétant les étapes 1 à 8 lorsque l'on replace la cuisinière à son emplacement final.

1. S'assurer que le pied de nivellement arrière glisse dans la bride antibasculement. Laisser un espace de 1" (2,5 cm) entre l'arrière de la cuisinière et le mur.
2. Placer l'extérieur du pied contre le bord inférieur avant pour immobiliser la cuisinière, puis saisir l'arrière de la cuisinière comme illustré.



3. Avec précaution, tenter de faire basculer la cuisinière vers l'avant.

En cas de résistance immédiate, cela signifie que le pied de la cuisinière est engagé dans la bride antibasculement. Passer à l'étape 8.

4. Si l'arrière de la cuisinière se soulève de plus de $\frac{1}{2}$ " (1,3 cm) du plancher sans opposer de résistance, cesser d'incliner la cuisinière et la reposer doucement sur le plancher. Le pied de la cuisinière n'est pas engagé dans la bride antibasculement.

IMPORTANT : Si l'on entend un claquement ou un bruit d'éclatement lorsqu'on soulève la cuisinière, cela signifie peut-être que la cuisinière n'est pas bien engagée dans la bride. Vérifier qu'aucun obstacle n'empêche la cuisinière de glisser jusqu'au mur ou le pied de la cuisinière de glisser dans la bride. Vérifier que la bride est fermement maintenue en place par les vis de montage.

5. Glisser la cuisinière vers l'avant et vérifier que la bride antibasculement est bien fixée au plancher ou au mur.
6. Faire glisser de nouveau la cuisinière de façon à ce que son pied arrière se trouve dans la fente de la bride antibasculement.
7. Répéter les étapes 1 et 2 pour s'assurer que le pied de la cuisinière est bien engagé dans la bride antibasculement.

Si l'arrière de la cuisinière se soulève de plus de $\frac{1}{2}$ " (1,3 cm) du plancher sans opposer de résistance, cela signifie peut-être que la bride antibasculement n'est pas correctement installée. Ne pas faire fonctionner la cuisinière si la bride antibasculement n'est pas installée et engagée.

8. Déplacer la cuisinière à son emplacement final et vérifier que la cuisinière est d'aplomb en plaçant un niveau sur le fond du four.

REMARQUE : Pour obtenir des résultats de cuisson optimaux sur la table de cuisson et au four, la cuisinière doit être de niveau.

9. Au besoin, utiliser une clé pour ajuster la hauteur des pieds de nivellement jusqu'à ce que la cuisinière soit d'aplomb transversalement et d'avant en arrière. Voir la section "Nivellement de la cuisinière".

ÉTAPE 7 - NIVELLEMENT DE LA CUISINIÈRE (AU BESOIN)

IMPORTANT : La cuisinière doit être d'aplomb.

La cuisinière peut être surélevée d'environ 2" (5 cm) en ajustant les pieds de nivellement.

1. Si la cuisinière n'est pas d'aplomb, la tirer de sorte que le pied de nivellement arrière se dégage de la bride antibasculement.
2. Placer une grille plate standard dans le four.
3. Placer un niveau sur la grille.
4. Utiliser une clé ou une pince pour régler les pieds de nivellement vers le haut ou vers le bas jusqu'à ce que la cuisinière soit d'aplomb.
5. Repousser la cuisinière pour la remettre en place. Vérifier que le pied de nivellement arrière est engagé dans la bride antibasculement.

ÉTAPE 8 - CONTRÔLE DU FONCTIONNEMENT DU SYSTÈME D'ALLUMAGE ÉLECTRONIQUE

Les brûleurs de la table de cuisson et du four utilisent des allumeurs électroniques plutôt que des veilleuses à flamme permanente. Lorsqu'on tourne le bouton de commande d'un brûleur de la table de cuisson à la position "ICON", le système génère une étincelle pour l'allumage du brûleur.

La génération d'étincelles se poursuit aussi longtemps que le bouton de commande est laissé à la position "ICON".

Lorsqu'on tourne le bouton de commande du brûleur du four à la position désirée, les étincelles générées provoquent l'inflammation du gaz.

Contrôle du fonctionnement des brûleurs de surface standard :

Enfoncer et tourner chaque bouton de commande à la position "ICON". La flamme doit s'allumer sur le brûleur en moins de 4 secondes. Lors de l'allumage initial du brûleur, le délai d'allumage peut être supérieur à 4 secondes du fait de la présence d'air dans la canalisation de gaz.

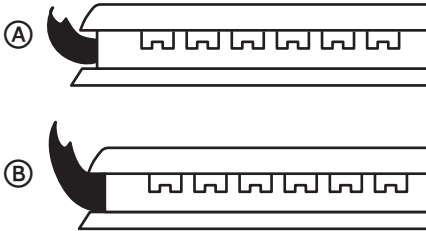
Si les brûleurs ne s'allument pas correctement :

1. Ramener le bouton de commande du brûleur de surface à la position "OFF" (arrêt).
2. Vérifier que la cuisinière est branchée. Vérifier que le disjoncteur ne s'est pas déclenché et qu'aucun fusible n'a grillé.
3. Vérifier que chaque robinet d'arrêt de gaz est à la position "open" (ouverture).
4. Vérifier que les chapeaux de brûleur sont correctement placés sur la base des brûleurs.

Répéter le processus de mise en marche. Si un brûleur ne s'allume pas à ce stade, tourner les boutons de commande sur la position "OFF" (arrêt) et contacter le revendeur ou un dépanneur agréé pour obtenir de l'aide.

Réglage de la taille des flammes :

Régler la taille des flammes sur les brûleurs. Au réglage "bas", la flamme du brûleur de la table de cuisson doit être stable et bleue et mesurer environ 1/4" (6,4 mm) de hauteur.



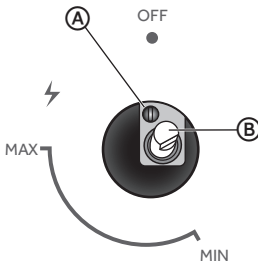
- (A) Flamme au réglage "Bas"
- (B) Flamme au réglage "Élevé"

Réglage des brûleurs standard :

IMPORTANT : Les réglages doivent être effectués pendant que deux autres brûleurs sont allumés sur un réglage moyen. Cette précaution évite de régler la rangée supérieure de flammes à un niveau trop bas, qui provoquerait son extinction lorsque d'autres brûleurs s'allument.

La vis de réglage au centre de la tige de commande du robinet permet de régler la taille des flammes. La tige de commande est située juste derrière le bouton de commande.

S'il est nécessaire de régler la taille des flammes au réglage "bas" :



- (A) Vis de réglage
- (B) Tige du bouton de commande

1. Allumer un brûleur et tourner le bouton de commande au réglage le plus bas.
2. Ôter le bouton de commande.
3. Insérer un petit tournevis à lame plate dans la vis de réglage, puis tourner doucement la vis jusqu'à obtenir un aspect adéquat de la flamme.
 - Ouvrir davantage le robinet si la flamme est trop petite ou vacillante.
 - Fermer davantage le robinet si la flamme est trop grande.
4. Réinstaller le bouton de commande.
5. Tester la flamme en tournant le bouton de commande pour le faire passer de la position "LO" (basse) à la position "HI" (élevée) et observer les flammes pour chaque réglage.
6. Répéter les étapes ci-dessus pour chaque brûleur.

⚠ AVERTISSEMENT



Risque d'explosion

Utiliser une canalisation neuve d'alimentation en gaz approuvée par la CSA International.

Installer un robinet d'arrêt.

Bien serrer chaque organe de connexion des raccordements au gaz.

En cas de connexion au GPL, demander à une personne qualifiée de s'assurer que la pression de gaz ne dépasse pas 36 cm (14 po) de la colonne d'eau.

Par personne qualifiée, on comprend :

- le personnel autorisé de chauffage,
- le personnel autorisé d'une compagnie de gaz, et
- le personnel d'entretien autorisé.

Le non-respect de ces instructions peut causer un décès, une explosion ou un incendie.

CONVERSION POUR L'ALIMENTATION AU GPL/PROPANE

Cet appareil peut être alimenté au gaz naturel ou au GPL/propane. Il a été configuré à l'usine pour alimentation au gaz naturel. Une trousse de conversion au GPL est fournie avec votre cuisinière. Cette trousse porte l'inscription "POUR CONVERSION AU GPL/ PROPANE".

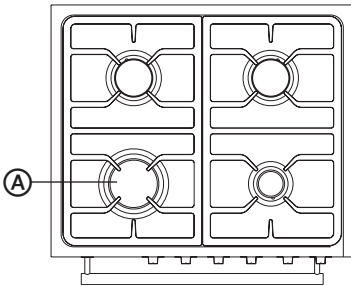
Lorsque la cuisinière est convertie pour utilisation au gaz de pétrole liquéfiés (GPL), la colonne d'eau de l'alimentation en GPL doit être de 10" (min.) à 14" (max.) vers le détenteur de la cuisinière.

La conversion doit être effectuée par un technicien de service qualifié en conformité avec les instructions de la trousse et tous les codes et prescriptions locales. Le non-respect de ces instructions peut causer une blessure corporelle ou des dégâts matériels. L'agence qualifiée effectuant ce travail assume l'entière responsabilité de la conversion.

Tableau des caractéristiques des brûleurs et des gicleurs de 24"

Type de brûleur	Position	Gicleur	Gaz	Pression	Taux
		Diam. (mm)	Type	[i.w.c.]	[BTU/h]
Brûleur auxiliaire	Avant droite	0,9	NG	4"	5000
		0,58	LP (Propane)	10"	5000
Brûleurs semi-rapides	Arrière gauche	1,17	NG	4"	6859
		0,75	LP (Propane)	10"	6859
Brûleur à triple cerclage	Avant gauche	0,93 + 1,82	NG	4"	17357
		1,14 + 0,56	LP (Propane)	10"	15000
Brûleurs rapides	Arrière droite	1,6	NG	4"	6859
		1,03	LP (Propane)	10"	6859

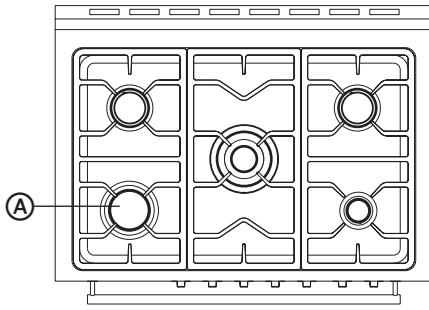
REMARQUE : Le brûleur triple ne possède que deux injecteurs, un injecteur monté au centre et l'autre monté sous la plaque d'obturation. Pour accéder au deuxième injecteur, retirer les deux vis et la plaque d'obturation.



A L'ouverture dans la grille pour anneau de wok (inclus) est située sur le brûleur avant gauche.

Tableau des caractéristiques des brûleurs et des gicleurs de 36"

Type de brûleur	Position	Gicleur	Gaz	Pression	Taux
		Diam. (mm)	Type	[i.w.c.]	[BTU/h]
Brûleur auxiliaire	Avant droite	1.1	NG	4"	5000
		0.7	LP (Propane)	10"	5000
Brûleurs semi-rapides	Arrière gauche et droite	1.29	NG	4"	6859
		0.8	LP (Propane)	10"	6859
Double brûleur	Centre intérieur	0.99*5	NG	4"	17357
	Centre externe	0.56*6	LP (Propane)	10"	15000
Brûleurs rapides	Avant gauche	1.45	NG	4"	8500
		0.91	LP (Propane)	10"	8500



- A** L'ouverture dans la grille pour anneau de wok (inclus) est située sur le brûleur avant gauche.

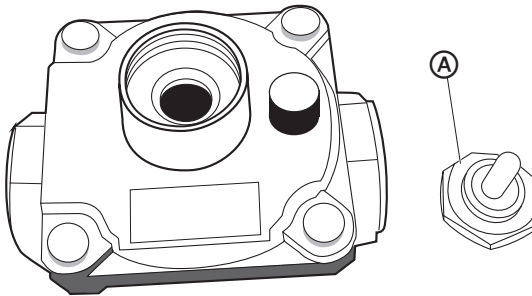
Outils nécessaires à la conversion :

- Clé
- Tourne-écrou de 7 mm
- Lunettes de sécurité
- Petit tournevis à lame plate

ÉTAPE 1 - RÉGLAGE DU DÉTENTEUR

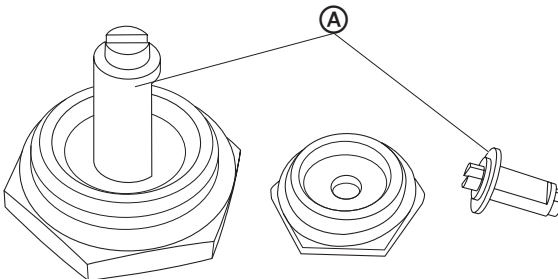
IMPORTANT : Déconnecter toute alimentation électrique au niveau du coupe-circuit principal ou de la boîte à fusibles. Couper l'alimentation en gaz de la cuisinière en fermant le robinet d'arrêt manuel.

1. Dévisser le capuchon du détendeur à l'aide de la clé.



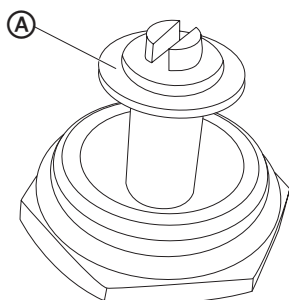
- A** Capuchon du détendeur

2. Retirer la broche de la patte de retenue actuellement positionnée pour utilisation au gaz naturel.



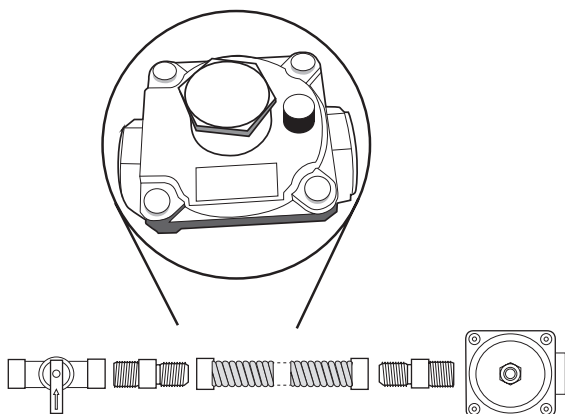
- A** Broche de la patte de retenue

3. Retourner la broche de la patte de retenue et la remettre en place dans le capuchon du détendeur. Elle est à présent positionnée pour utilisation au GPL.



A Broche de la patte de retenue

4. Revisser le capuchon du détendeur dans le détendeur et rattacher le détendeur sur l'ensemble raccord-joint conique.



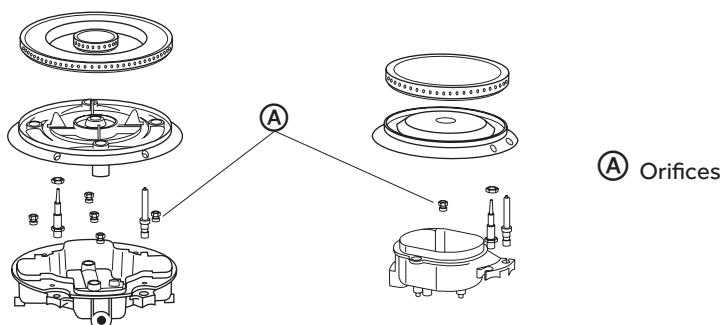
ÉTAPE 2 - REMPLACEMENT DES ORIFICES DES BRÛLEURS

IMPORTANT : Lire et respecter attentivement les étiquettes de chaque orifice pour connaître leur emplacement correct. Voir le tableau des brûleurs plus haut dans cette section.

REMARQUE : Retirer au préalable tous les orifices avant de commencer le remplacement. Ceci a pour but d'assurer que tous les orifices ont bien été remplacés.

1. Retirer la grille, le chapeau et la tête du brûleur.

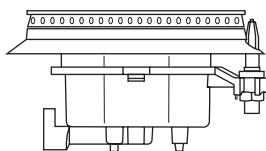
2. Retirer les orifices des brûleurs à l'aide d'un tourne-écrou de 7 mm.



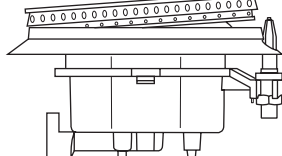
Brûleur à triple cerclage
5 orifices

Brûleur auxiliaire
Brûleur à cuisson semi-
rapide
Brûleur à cuisson rapide
1 orifice chacun

3. Installer les orifices corrects à leur emplacement exact comme indiqué sur le graphique précédent.
4. Replacer les bases, têtes, et chapeaux des brûleurs et les grilles supérieures. S'assurer que les chapeaux sont bien installés sur la tête des brûleurs.



Installation correcte



Installation incorrecte

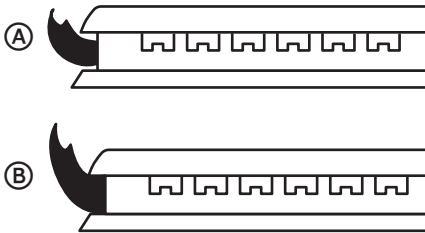
ÉTAPE 3 - RÉGLAGE DES FLAMMES DES BRÛLEURS

REMARQUES :

- Allumer tous les brûleurs au réglage le plus élevé et contrôler les flammes. Celles-ci devraient être bleues avec une pointe jaune avec utilisation au GPL. Les particules étrangères dans la conduite de gaz peuvent donner une coloration orange à la flamme, mais celle-ci devrait disparaître rapidement.
- Tourner le bouton rotatif du brûleur de la cuisinière à la position "Lo" (basse) tout en observant la flamme.
- Les réglages doivent être effectués avec les deux autres brûleurs fonctionnant en position intermédiaire. Ceci empêche de régler trop bas la rangée supérieure de flammes, ce qui éteindrait la flamme lorsque les autres brûleurs sont allumés.

Réglage de la taille des flammes :

Régler la taille des flammes sur les brûleurs. Au réglage "bas", la flamme du brûleur de la table de cuisson doit être stable et bleue et mesurer environ 1/4" (6,4 mm) de hauteur.

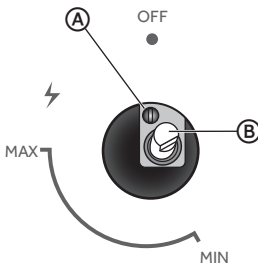


- (A) Flamme au réglage "Bas"
- (B) Flamme au réglage "Élevé"

Réglage des brûleurs standard :

La vis de réglage au centre de la tige de commande du robinet permet de régler la taille des flammes. La tige de commande est située juste derrière le bouton de commande.

S'il est nécessaire de régler la taille des flammes au réglage "bas" :



- (A) Vis de réglage
- (B) Tige du bouton de commande

1. Allumer un brûleur et tourner le bouton de commande au réglage le plus bas.
2. Ôter le bouton de commande.
3. Insérer un petit tournevis à lame plate dans la vis de réglage, puis tourner doucement la vis jusqu'à obtenir un aspect adéquat de la flamme.
 - Ouvrir davantage le robinet si la flamme est trop petite ou vacillante.
 - Fermer davantage le robinet si la flamme est trop grande.
4. Réinstaller le bouton de commande.
5. Tester la flamme en tournant le bouton de commande pour le faire passer de la position "LO" (basse) à la position "HI" (élevée) et observer les flammes pour chaque réglage.
6. Répéter les étapes ci-dessus pour chaque brûleur.

ÉTAPE 4 - TEST DE LA STABILITÉ DES FLAMMES

Test 1 - Tourner rapidement le bouton rotatif de la position "HI" (élevée) à la position "LO" (basse). Si la rangée supérieure des flammes s'éteint sur ce réglage, augmenter la taille des flammes et tester de nouveau.

Test 2 - Avec le brûleur réglé sur la position "LO" (basse), ouvrir et fermer la porte du placard situé sous la cuisinière. Si le courant d'air créé par le mouvement de la porte éteint la flamme, augmenter la taille des flammes et tester de nouveau.

ÉTAPE 5 - SECOND TEST DES FLAMMES

Après avoir effectué les réglages, éteindre tous les brûleurs. Allumer chaque brûleur individuellement. Observer la flamme à la position "HI" (élevée). Faire tourner le bouton sur le réglage le plus bas et s'assurer que la flamme baisse lorsque l'on tourne le bouton dans le sens antihoraire.

IMPORTANT : Une fois que la conversion a été effectuée et que les tests ont été effectués avec succès, remplir l'autocollant de conversion et inscrire votre nom, le nom de votre organisme et la date de la conversion. Coller l'autocollant à proximité de l'ouverture de la canalisation d'alimentation en gaz pour indiquer à des utilisateurs ultérieurs que cet appareil a été converti. En cas de reconversion au gaz naturel, retirer l'autocollant pour indiquer que l'appareil a été converti au gaz d'origine.

FONCTIONNEMENT ANORMAL

TOUTES LES CONDITIONS SUIVANTES SONT CONSIDÉRÉES COMME UN FONCTIONNEMENT ANORMAL ET PEUVENT NéCESSITER UNE INTERVENTION :

- Flamme du brûleur de cuisson jaune.
- Encrassement des ustensiles de cuisine.
- Les brûleurs ne s'allument pas correctement.
- Les brûleurs ne restent pas allumés.
- Les brûleurs s'éteignent en ouvrant la porte du four.
- Des soupapes de gaz, difficiles à tourner.

SI L'APPAREIL NE FONCTIONNE PAS CORRECTEMENT, CONTACTER LE FOURNISSEUR DE SERVICE AUTORISÉ DANS VOTRE RÉGION

LES BRÛLEURS NE NéCESSITENT PAS DE RÉGULATION DU DÉBIT D'AIR PRIMAIRE.

ÍNDICE

SEGURIDAD DE LA ESTUFA.....	58
REQUISITOS DE INSTALACIÓN	60
Herramientas y piezas	60
Requisitos de ubicación.....	61
Requisitos eléctricos	65
Requisitos del suministro de gas	66
INSTRUCCIONES DE INSTALACIÓN	69
Paso 1 - Desempacar la estufa.....	69
Paso 2 - Instale la salpicadera	70
Paso 3 - Instalación del soporte antivuelco	71
Paso 4 - Conexión de gas	73
Paso 5 - Conexión del suministro eléctrico.....	75
Paso 6 - Instalación de la estufa.....	75
Paso 7 - Nivele la estufa (si es necesario)	77
Paso 8 - Verifique el funcionamiento del sistema de encendido electrónico.....	77
CONVERSIÓN A GAS.....	79
Paso 1 - Ajustar el regulador	81
Paso 2 - Cambiar las boquillas del quemador.....	82
Paso 3 - Ajustar las llamas del quemador	83
Paso 4 - Prueba de la estabilidad de la llama.....	84
Paso 5 - Nueva verificación de la llama	84

SEGURIDAD DE LA ESTUFA

Su seguridad y la seguridad de los demás es muy importante.

Hemos incluido muchos mensajes importantes de seguridad en este manual y en su electrodoméstico. Lea y obedezca siempre todos los mensajes de seguridad.



Este es el símbolo de advertencia de seguridad.

Este símbolo le llama la atención sobre peligros potenciales que pueden ocasionar la muerte o una lesión a usted y a los demás. Todos los mensajes de seguridad irán a continuación del símbolo de advertencia de seguridad y de la palabra "PELIGRO", "ADVERTENCIA" o "PRECAUCIÓN".

Estas palabras significan:

! PELIGRO

Se trata de una situación de peligro inminente. Si no sigue las instrucciones de inmediato, usted puede morir o sufrir una lesión grave.

! ADVERTENCIA

Se trata de una situación posiblemente peligrosa que, de no evitarse, podría causar la muerte o una lesión grave.

! PRECAUCIÓN

Se trata de una situación posiblemente peligrosa que, de no evitarse, podría causar lesiones moderadas o leves.

Todos los mensajes de seguridad le dirán el peligro potencial, le dirán cómo reducir las posibilidades de sufrir una lesión y lo que puede suceder si no se siguen las instrucciones.

! ADVERTENCIA



Peligro de Incendio

Si no se siguen exactamente las instrucciones de esta guía, se puede ocasionar un incendio o explosión que dé como resultado daños materiales, lesiones personales o la muerte.

- No almacene ni use gasolina u otros vapores y líquidos inflamables cerca de esta unidad o de cualquier otro electrodoméstico.
- QUÉ HACER SI PERCIBE OLOR A GAS
 - No intente encender ningún electrodoméstico.
 - No toque ningún interruptor eléctrico.
 - No use ningún teléfono dentro del edificio.
 - Desaloje a todos los ocupantes del cuarto, edificio o área.
 - Llame inmediatamente al proveedor de gas desde el teléfono de su vecino. Siga las instrucciones del proveedor de gas.
 - Si no se puede comunicar con el proveedor de gas, llame al departamento de bomberos.
- Un instalador calificado, una agencia de servicio o el proveedor de gas debe realizar la instalación y el servicio.

ADVERTENCIA: Las fugas de gas no siempre se pueden detectar por el olfato.

Los proveedores de gas recomiendan que use un detector de gas aprobado por UL (Laboratorio de normalización) o CSA (Asociación canadiense de seguridad).

Para obtener más información, póngase en contacto con su proveedor de gas.

Si se detecta una fuga de gas, siga las instrucciones de "Pasos que usted debe seguir si siente olor a gas".

! ADVERTENCIA



Peligro de Vuelco

Un niño o un adulto puede volcar accidentalmente la estufa y resultar muerto.

Conecte el soporte antivuelco a la pata trasera de la estufa.

Si traslada de lugar la estufa, vuelva a conectar el soporte anti-vuelco.

No seguir estas instrucciones puede ocasionar la muerte o quemaduras graves en niños y adultos.

REQUISITOS DE INSTALACIÓN

HERRAMIENTAS Y PIEZAS

Reúna las herramientas y piezas necesarias antes de comenzar la instalación. Lea y siga las instrucciones provistas con cualquiera de las herramientas detalladas aquí.

HERRAMIENTAS NECESARIAS

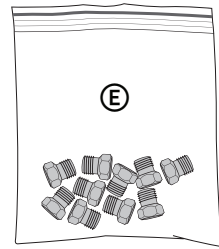
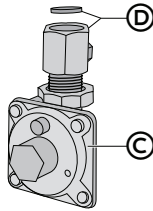
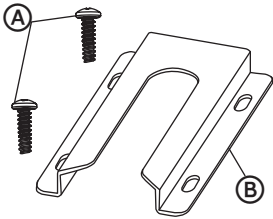
- Cinta de medir
- Destornillador de hoja plana
- Destornillador Phillips
- Nivel
- Taladro eléctrico inalámbrico
- Martillo
- Llave de tuercas o pinzas
- Llave para tubos
- Llave de boca mixta de $1\frac{5}{16}$ "
- Llave de tuercas de $\frac{3}{8}$ "
- Llave de tuercas de $\frac{1}{4}$ "
- Broca de $\frac{1}{8}$ " (3,2 mm) (para pisos de madera)
- Marcador o lápiz
- Cinta adhesiva protectora
- Compuesto para uniones de tuberías resistente a gas LP
- Broca para albañilería con punta de carburo de $\frac{3}{16}$ " (4,8 mm) (para pisos de hormigón/cerámica)
- Solución para detectar fugas no corrosiva

Para las conversiones a gas natural/LP

- Llave de boca mixta de $\frac{1}{2}$ "
- Llave de tuercas de 7 mm
- Llave de boca mixta de 7 mm

PIEZAS SUMINISTRADAS

Verifique que estén todas las piezas.



(A) Tornillos #16 x 1 5/8" (2)

(B) Soporte antivuelco

(C) Regulador

(D) Adaptador de tubería de gas con arandela

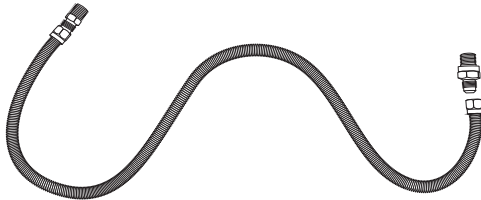
(E) Juego para la conversión a gas natural/LP

NOTA: Los soportes antivuelco deben estar montados en el contrapiso con firmeza. Según el espesor del piso, es posible que sea necesario utilizar tornillos más largos para sujetar el soporte al contrapiso. Puede conseguir tornillos más largos en su ferretería local.

PIEZAS NECESARIAS

Verifique los códigos locales y consulte con el proveedor de gas. Verifique el suministro de gas existente y el suministro eléctrico. Vea las secciones "Requisitos eléctricos" y "Requisitos del suministro de gas".

- Juego de línea de suministro de gas (Línea de suministro y 2 adaptadores)

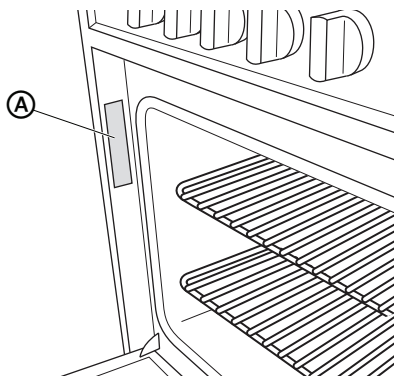


REQUISITOS DE UBICACIÓN

VENTILACIÓN

IMPORTANTE: Observe todos los códigos y ordenanzas aplicables. No obstruya el flujo de aire para la combustión y la ventilación.

- Es la responsabilidad del instalador cumplir con los espacios libres de instalación especificados en la placa indicadora de modelo/serie. La placa indicadora de modelo/serie está ubicada en el lado izquierdo del marco del horno. Abra la puerta del horno para ver la etiqueta. Vea la etiqueta en el panel posterior de la estufa para obtener información sobre la clasificación de potencia del horno y un elemento adicional.



(A) Placa indicadora

TEMPERATURA

IMPORTANTE: Este horno ha sido diseñado de acuerdo con los requisitos de UL y CSA International, y cumple con las temperaturas máximas permitidas para armarios de madera de 194 °F (90 °C).

- Algunos armarios y materiales de construcción no se diseñaron para resistir el calor que produce el horno durante el horneado y la autolimpieza. Verifique con el constructor o distribuidor de armarios para asegurarse de que los materiales que se usen no se descoloren, astillen ni sufran ningún otro tipo de daño.
- Póngase en contacto con un instalador calificado de revestimiento de pisos para cerciorarse de que el revestimiento del piso puede soportar por lo menos 200 °F (93 °C).
- Use una almohadilla aislante o una madera laminada de ¼" (0,64 cm) debajo de la estufa si va a instalar la estufa sobre una alfombra.

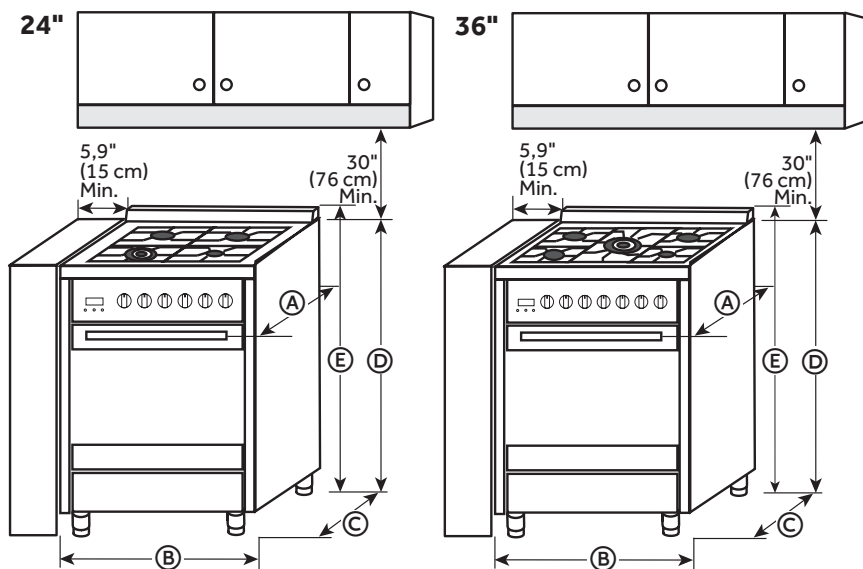
GENERAL

- Deberá colocarse la estufa en un lugar conveniente de la cocina para su uso.
- Las instalaciones empotradas deberán proveer un recinto cerrado de los lados y la parte trasera de la estufa.
- Para eliminar el riesgo de quemaduras o incendio al entrar en contacto con unidades con la superficie demasiado caliente, deberá evitarse el uso de armarios de almacenaje encima de las unidades. Si van a proveerse armarios de almacenaje, puede reducir el riesgo instalando una campana de cocina o una combinación de microondas campana, que se proyecte horizontalmente un mínimo de 5" (12,7 cm) sobresaliendo de la base de los armarios.
- Deberán sellarse todas las aberturas en la pared o en el piso en donde se instalará la estufa.
- No selle la estufa a los armarios laterales.
- Se requiere un suministro eléctrico conectado a tierra. Vea la sección "Requisitos eléctricos".
- Deberá haber una conexión adecuada del suministro de gas. Vea la sección "Requisitos del suministro de gas".

DIMENSIONES

Producto/Abertura

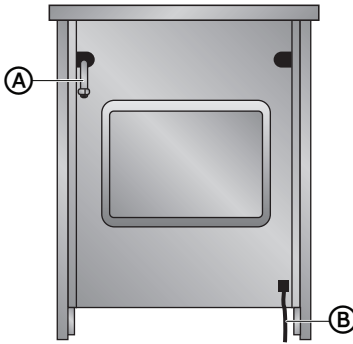
Las dimensiones de la abertura que se muestra son para una profundidad de mostrador de 25" (64 cm), profundidad del armario de la base de 24" (61 cm) y altura del mostrador de 36" (91,4 cm).



Tamaño del modelo	A. Profundidad con el asa	B. Ancho	C. Profundidad	D. Altura hasta la parte superior de la superficie de cocción	E. Altura total
24"	25 ¹ / ₅ " (64,28 cm)	23 ³ / ₅ " (60 cm)	23 ³ / ₅ " (60 cm)	36" (91 cm)	37 ³ / ₅ " (95,5 cm)
36"	25 ¹ / ₅ " (64,28 cm)	35 ² / ₅ " (90 cm)	23 ³ / ₅ " (60 cm)	36" (91 cm)	37 ³ / ₅ " (95,5 cm)

NOTA: La estufa se puede elevar aproximadamente 1" (2,5 cm) al ajustar las patas niveladoras. El frente de la puerta y el cajón se pueden extender un poco más adelante según el estilo.

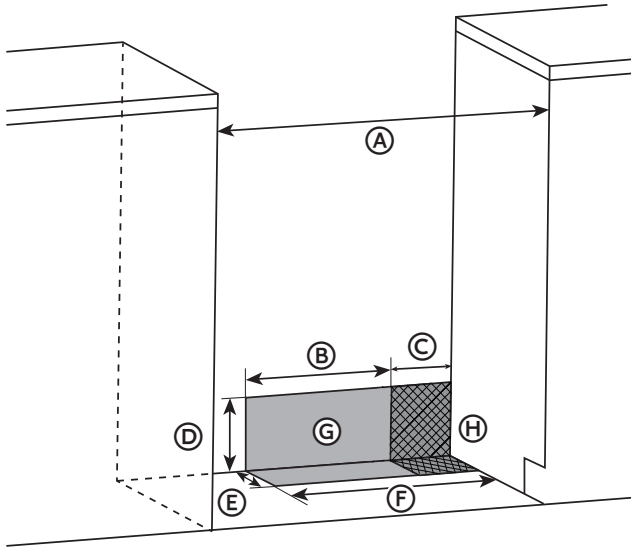
Parte posterior de la estufa



- (A) Línea de gas desde la estufa
- (B) Cable de alimentación

Suministro eléctrico

IMPORTANTE: Un tomacorriente en el piso puede estar empotrado o instalado en la superficie, pero un tomacorriente de pared debe estar empotrado para realizar la conexión.



- (A) 24" Modelo - 23³/₅" (60 cm)
36" Modelo - 35²/₅" (90 cm)
- (B) 11¹/₂" (29,2 cm)
- (C) 6" (15,2 cm)
- (D) 7¹/₄" (18,4 cm)
- (E) 3" (7,6 cm)
- (F) 17¹/₂" (44 cm)
- (G) Ubicación recomendada para el tomacorriente
- (H) Ubicación recomendada para la conexión del suministro de gas

***NOTA:** 24" (61 cm) como mínimo cuando la base del armario de madera o de metal esté cubierta por cartón de combustión lenta de no menos de 1/4" (0,64 cm) cubierto de lámina de acero de no menos de N.º 28 MSG, acero inoxidable de 0,015" (0,4 mm), aluminio de 0,024" (0,6 mm) o cobre de 0,020" (0,5 mm).
30" (76,2 cm) de espacio mínimo entre la superficie de cocción y la base de un armario de madera o metal descubierto.

REQUISITOS ELÉCTRICOS

⚠ ADVERTENCIA



Peligro de Choque Eléctrico

Conecte a un contacto de pared de conexión a tierra de 3 terminales.

No quite el terminal de conexión a tierra del cable de alimentación.

No use un adaptador.

No use un cable eléctrico de extensión.

No seguir estas instrucciones puede ocasionar la muerte, incendio o choque eléctrico.

IMPORTANTE: La estufa deberá estar conectada a tierra de acuerdo con los códigos y ordenanzas locales, o en la ausencia de códigos locales, con el Código Nacional Eléctrico (National Electrical Code), ANSI/NFPA 70 o el Código Canadiense de Electricidad (Canadian Electrical Code), CSA C22.1.

Esta estufa está equipada con un sistema de encendido electrónico que no funcionará si se enchufa en un tomacorriente que no está debidamente polarizado.

Si los códigos lo permiten y se emplea un alambre de conexión a tierra separado, es recomendable que un instalador de electricidad calificado determine si la trayectoria de la conexión a tierra es adecuada.

Usted puede obtener una copia de las normas de los códigos arriba indicadas en:

National Fire Protection Association
1 Batterymarch Park
Quincy, MA 02169-7471

CSA International
8501 East Pleasant Valley Road
Cleveland, OH 44131-5575

- Se necesita un circuito eléctrico de 120 voltios, 60 Hz, CA solamente, de 15 amperios y protegido con fusible. También se recomienda usar un fusible retardador o un cortacircuitos. Asimismo se recomienda el uso de un circuito independiente que preste servicio únicamente a esta estufa.
- Los sistemas de encendido electrónico funcionan dentro de amplios límites de voltaje, pero se debe contar con la conexión a tierra y polaridad adecuadas. Verifique que el tomacorriente tenga una capacidad de 120 voltios y que esté debidamente conectado a tierra.
- Esta estufa a gas no requiere que se enchufe en un tomacorriente GFCI (Interruptor de circuito de falla eléctrica de puesta a tierra). Se recomienda no enchufar una estufa a gas de encendido por chispa eléctrica o cualquier otro aparato principal en un tomacorriente de pared con GFCI, ya que puede hacer que el GFCI se dispare durante el ciclo normal.

- El desempeño de esta estufa no se verá afectado si funciona con un circuito protegido con GFCI. Sin embargo, es posible un disparo molesto ocasional del cortacircuito con GFCI debido a la naturaleza normal de funcionamiento de las estufas a gas electrónicas.
- El diagrama de cableado está ubicado en la parte posterior de la estufa en una bolsa de plástico transparente.

NOTA: El armazón de metal de la estufa deberá conectarse a tierra para que funcione el panel de control. Si el armazón de metal de la estufa no se conecta a tierra, ningún botón funcionará. Verifique con un electricista calificado si tiene dudas acerca de si el armazón de metal de la estufa está conectado a tierra.

REQUISITOS DEL SUMINISTRO DE GAS

! ADVERTENCIA



Peligro de explosión

Use una línea de suministro de gas nueva con aprobación de CSA International.

Instale una válvula de cierre.

Apriete firmemente todas las conexiones de gas.

Si se conecta a un suministro de gas LP, la presión no debe exceder una columna de agua de 14" (36 cm) y debe ser verificada por una persona calificada.

Ejemplos de una persona calificada incluyen:

personal de calefacción con licencia,
personal autorizado de la compañía de gas, y
personal de servicio técnico autorizado.

No seguir esta instrucción puede ocasionar la muerte, explosión o incendio.

Observe todos los códigos y ordenanzas aplicables.

IMPORTANTE: Esta instalación debe hacerse de acuerdo con todos los códigos y ordenanzas locales. Si no hay códigos locales, la instalación deberá hacerse de acuerdo al American National Standard (Código Nacional Estadounidense), el National Fuel Gas Code (Código Nacional de Gas Combustible), ANSI Z223.1- última edición o CAN/CGA B149 – última edición.

IMPORTANTE: La prueba de fugas de la estufa deberá efectuarse según las instrucciones del fabricante.

TIPO DE GAS

Gas natural:

El diseño de esta estufa está certificado por CSA International para gas natural o, después de la conversión adecuada, para usarse con gas LP.

- Esta estufa está preparada de fábrica para usarse con gas natural. Vea la sección "Conversión a gas". La placa con el número de modelo/serie, ubicada en el lado derecho del adorno de la puerta del horno, tiene información acerca de los tipos de gas que pueden usarse. Si la lista de tipos de gas no incluye el tipo de gas disponible, averigüe con el distribuidor de gas de su localidad.

Conversión a gas LP:

IMPORTANTE: La conversión deberá llevarla a cabo un técnico de servicio calificado.

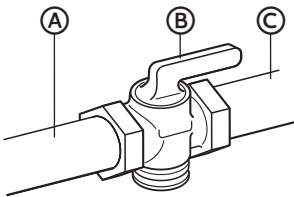
No se deberá hacer intento alguno para convertir el aparato del gas especificado en la placa indicadora de modelo/serie para utilizar un gas distinto sin consultar con el proveedor de gas. Vea la sección "Conversión a gas".

LÍNEA DE SUMINISTRO DE GAS

Provea una línea de suministro de gas de tubería rígida de $\frac{3}{4}$ " (1,9 cm) hacia la ubicación de la estufa. Una tubería de tamaño más pequeño en tendidos más largos puede traer como consecuencia un suministro insuficiente de gas. Deben usarse compuestos para uniones de tubería que sean resistentes a la acción del gas LP. Con el gas LP, el tamaño de la tubería puede ser de un mínimo de $\frac{1}{2}$ " (1,3 cm). Por lo general, los proveedores de gas LP determinan el tamaño y los materiales a usarse en el sistema.

Válvula de cierre de gas:

- La línea de suministro deberá equiparse con una válvula de cierre manual. Esta válvula deberá estar ubicada en la misma habitación, pero fuera de la estufa. Deberá estar en una ubicación que permita un fácil acceso para abrir y cerrar. No bloquee el acceso a la válvula de cierre. La válvula es para abrir o cerrar el suministro de gas a la estufa.



- (A) Línea de suministro de gas
- (B) Válvula de cierre en posición "abierta"
- (C) Línea de gas flexible/rígida hacia la estufa

Conector flexible de metal del aparato:

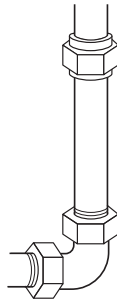
- Si los códigos locales lo permiten, puede usarse un conector de metal flexible para aparatos nuevo, con diseño certificado de CSA, de 4 a 5 pies (122 a 152,4 cm) de largo, diámetro interno de $\frac{1}{2}$ " (1,3 cm) o $\frac{3}{4}$ " (1,9 cm) para conectar la estufa a la línea de suministro de gas.



- Se necesita una rosca macho para tubería de $\frac{1}{2}$ " (1,3 cm) para conectar las roscas hembra de la entrada al regulador de presión del aparato.
- No tuerza ni dañe la tubería de metal flexible cuando mueva la estufa.

Conexión de tubería rígida:

La conexión de tubería rígida requiere una combinación de accesorios de tubería para obtener una conexión en línea hacia la estufa. La tubería rígida deberá estar nivelada con la conexión de la estufa. Deberán quitarse todas las torceduras de las líneas de suministro y de combustible para que la estufa esté nivelada y alineada.



REGULADOR DE LA PRESIÓN DE GAS

Deberá usarse el regulador de la presión de gas suministrado con esta estufa. Para el funcionamiento adecuado, la presión de entrada al regulador deberá ser como se indica a continuación:

Gas natural:

Presión mínima: presión de la columna de agua de 5"

Presión máxima: presión de la columna de agua de 14"

Gas LP:

Presión mínima: presión de la columna de agua de 11"

Presión máxima: presión de la columna de agua de 14"

Póngase en contacto con el proveedor de gas de su localidad si no está seguro acerca de la presión de entrada.

Requisitos de entrada del quemador

La capacidad nominal de entrada que se muestra en la placa indicadora de modelo/serie es para elevaciones de hasta 2000 pies (609,6 m).

Para elevaciones mayores que 2000 pies (609,6 m), los flujos nominales se reducen a una tasa del 4 % por cada 1000 pies (304,8 m) por encima del nivel del mar (no es aplicable para Canadá).

PRUEBA DE PRESIÓN DEL SUMINISTRO DE GAS

La presión de suministro de gas para el regulador de la prueba debe ser al menos 1" de presión de columna de agua (PMC) por encima de la presión del colector de muestra en la placa de modelo / serie.

Prueba de presión de la línea por encima de 0,5 lb/pulg² manométrica (3,5 kPa) (presión de la columna de agua de 14")

La estufa y su válvula de cierre individual deberán desconectarse del sistema de tubería del suministro de gas durante toda prueba de presión efectuada en dicho sistema a presiones de prueba mayores que 0,5 lb/pulg² (3,5 kPa).

Prueba de presión de la línea a 0,5 lb/pulg² manométrica (3,5 kPa) (presión de la columna de agua de 14") o inferior

La estufa deberá aislarse del sistema de tubería del suministro de gas cerrando la válvula de cierre individual manual durante toda prueba de presión efectuada en dicho sistema a presiones de prueba iguales o menores que 0,5 lb/pulg² (3,5 kPa).

INSTRUCCIONES DE INSTALACIÓN

IMPORTANTE: Este aparato solo debe ser instalado por personas autorizadas y conforme a las instrucciones de instalación del fabricante, las disposiciones locales de acoplamiento de gas, los códigos edilicios municipales, las disposiciones de cableado eléctrico y las disposiciones locales de suministro de agua.

PASO 1 - DESEMPACAR LA ESTUFA

ADVERTENCIA

Peligro de Peso Excesivo

Use dos o más personas para mover e instalar la estufa.

No seguir esta instrucción puede ocasionar una lesión en la espalda u otro tipo de lesiones.

1. Quite los materiales de embalaje, la cinta adhesiva y la película de la estufa. Mantenga la base de cartón debajo de la estufa. No se deshaga de ninguna cosa hasta que la instalación se haya completado.
2. Quite las parrillas del horno y el paquete de piezas del horno y los materiales de embalaje.
3. Para quitar la base de cartón, primero tome las 4 esquinas de cartón de la caja. Apile una esquina de cartón sobre la otra. Haga lo mismo con las otras 2 esquinas. Colóquelas a lo largo, sobre el piso, detrás de la estufa para protegerla cuando se la coloque sobre su parte posterior.

- Con la ayuda de 2 o más personas, sujete la estufa con firmeza y colóquela suavemente sobre su parte posterior, en las esquinas de cartón.
- Quite la base de cartón.

NOTAS:

- Las patas niveladoras pueden ajustarse mientras la estufa está sobre su parte posterior.
- Para colocar la estufa nuevamente en posición vertical, coloque un cartón o una madera sobre el piso frente a esta para proteger el piso. Con la ayuda de dos o más personas, coloque la estufa de pie nuevamente sobre el cartón o la madera.

PASO 2 - INSTALE LA SALPICADERA

Para lograr una ventilación adecuada y proteger la pared de salpicaduras, instale la salpicadera hasta el borde trasero de la superficie de cocción que sobresale de la parte posterior del horno.

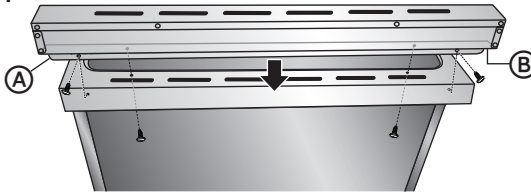
Piezas provistas: Tornillos (6)

NOTA: El modelo de 24" utiliza (4) tornillos y el modelo de 36" utiliza (6) tornillos

- Alinee los orificios de la salpicadera con los orificios en el borde posterior de la superficie de cocción.
- Mientras una persona sostiene la salpicadera, y trabaja por debajo del borde trasero que sobresale, inserte los tornillos a través de la parte inferior de la superficie de cocción y en la parte inferior de la salpicadera. Apriételos por completo.

NOTA: El modelo de 24" utiliza (2) tornillos y el modelo de 36" utiliza (4) tornillos

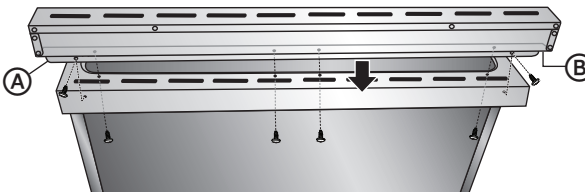
Modelo de 24"



(A) Salpicadera - Borde posterior

(B) Salpicadera - Borde inferior

Modelo de 36"



(A) Salpicadera - Borde posterior

(B) Salpicadera - Borde inferior

- Inserte los dos tornillos (uno en cada lado) a través del borde posterior de la salpicadera y en la superficie de cocción. Apriételos por completo.

PASO 3 - INSTALACIÓN DEL SOPORTE ANTIVUELCO

El juego del soporte antivuelco viene con la estufa.

! ADVERTENCIA



Peligro de Vuelco

Un niño o un adulto puede volcar accidentalmente la estufa y resultar muerto.

Conecte el soporte antivuelco a la pata trasera de la estufa.

Si traslada de lugar la estufa, vuelva a conectar el soporte anti-vuelco.

No seguir estas instrucciones puede ocasionar la muerte o quemaduras graves en niños y adultos.

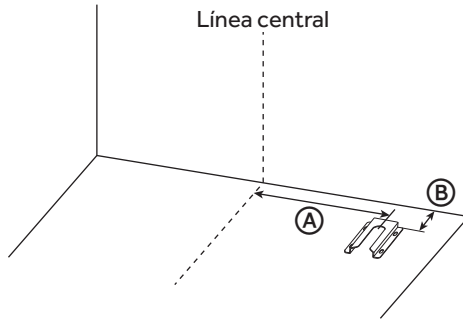
IMPORTANT : El juego del soporte antivuelco está incluido con la estufa. El soporte antivuelco utiliza la pata niveladora trasera derecha o izquierda para asegurar la estufa al suelo.

1. Quite el soporte antivuelco de donde esté pegado, en el interior del horno o el cajón de almacenamiento.
2. Determine y marque la línea central de la abertura.

NOTA: El soporte antivuelco puede instalarse en el lado derecho o izquierdo de la abertura.

3. Coloque el soporte antivuelco en el suelo, de manera que las distancias desde el centro del soporte hasta la línea central y la pared sean correctas para su modelo. Vea la siguiente tabla para conocer las distancias requeridas.

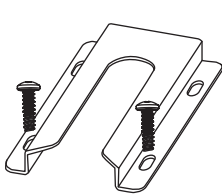
4. Taladre dos orificios de $\frac{1}{8}$ " (3 mm) entre los orificios de montaje en el soporte antivuelco y en el piso.



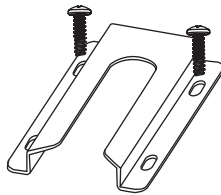
Tamaño del modelo	Dimensión A	Dimensión B
24"	17½" (53,5 cm)	5" (12,7 cm)
36"	32½" (83,5 cm)	5" (12,7 cm)

5. Usando los dos tornillos provistos, asegure el soporte antivuelco al piso.

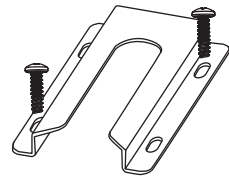
NOTA: La pata trasera de la estufa se centrará dentro del soporte antivuelco cuando la estufa se coloque en su posición final.



Posición frontal



Posición trasera



Diagonal

PASO 4 - CONEXIÓN DE GAS

! ADVERTENCIA



Peligro de explosión

Use una línea de suministro de gas nueva con aprobación de CSA International.

Instale una válvula de cierre.

Apriete firmemente todas las conexiones de gas.

Si se conecta a un suministro de gas LP, la presión no debe exceder una columna de agua de 14" (36 cm) y debe ser verificada por una persona calificada.

Ejemplos de una persona calificada incluyen:

personal de calefacción con licencia,
personal autorizado de la compañía de gas, y
personal de servicio técnico autorizado.

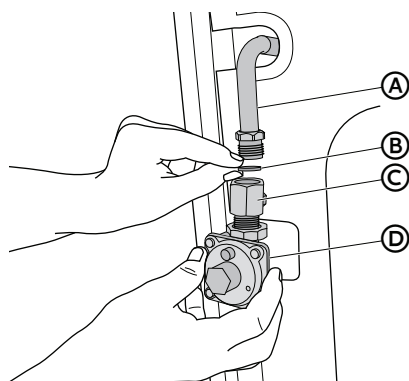
No seguir esta instrucción puede ocasionar la muerte, explosión o incendio.

CONEXIÓN TÍPICA DE LA TUBERÍA RÍGIDA

CONEXIÓN DEL ADAPTADOR DE ROSCA BSP PARALELA A ROSCA NPT, CON EL REGULADOR DE GAS:

1. Aplique compuesto para unión de tuberías hecho para usarse con gas LP a las roscas macho del adaptador (C).
2. Inserte el adaptador (C) en la salida del regulador de la presión de gas (D) y, a continuación, apriete utilizando dos llaves ajustables de 10". Asegúrese de que flecha de flujo en el regulador quede hacia arriba hacia la tubería de entrada de gas de la estufa.
3. Instale la arandela (B) en el extremo hembra del adaptador (C) y, a continuación, conecte el adaptador (C) a la tubería de entrada de gas de la estufa (A) por medio del accesorio de compresión, y apriete.

NOTA: La arandela (B) debe utilizarse para crear un sello a prueba de fugas.



- (A) Línea de gas desde la estufa
- (B) Arandela (provista)
- (C) Adaptador (provista)
- (D) Regulador de la presión de gas (provista)

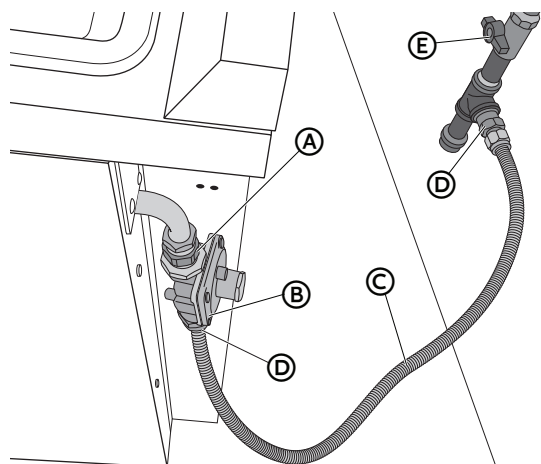
CONEXIÓN DE LA LÍNEA DE GAS DESDE EL REGULADOR DE LA PRESIÓN DE GAS AL SUMINISTRO DE GAS:

1. Aplique compuesto para unión de tuberías hecho para usarse con gas LP a las roscas (NPT) cónicas de ambos adaptadores (D) suministrados con el juego de línea de gas.
2. Fije un adaptador al regulador de la presión de gas y el otro adaptador a la válvula de cierre de gas, y apriete ambos adaptadores.

NOTA: No rote el regulador de la presión de gas.

3. Fije la línea de gas flexible (C) a los adaptadores (D), un adaptador en cada extremo.

IMPORTANTE: Todas las conexiones deben apretarse con llave (requiere dos llaves ajustables de 10"). No apriete en exceso las conexiones al regulador de la presión de gas. Apretar en exceso puede romper el regulador y crear una fuga.



- (A) Adaptador (provista)
- (B) Regulador de la presión de gas
- (C) Línea de suministro de gas
- (D) Adaptadores (Del juego de línea de suministro de gas)
- (E) Válvula de cierre de gas

FINALIZACIÓN DE LA CONEXIÓN

1. Abra la válvula de cierre manual de la línea de suministro de gas. La válvula está abierta cuando la manija está paralela al tubo de gas.
2. Pruebe todas las conexiones aplicando con un cepillo una solución no corrosiva aprobada para detectar fugas. Si aparecen burbujas, esto indica que hay una fuga. Tape todas las fugas que encuentre.

PASO 5 - CONEXIÓN DEL SUMINISTRO ELÉCTRICO

⚠ ADVERTENCIA



Peligro de Choque Eléctrico

Conecte a un contacto de pared de conexión a tierra de 3 terminales.

No quite el terminal de conexión a tierra del cable de alimentación.

No use un adaptador.

No use un cable eléctrico de extensión.

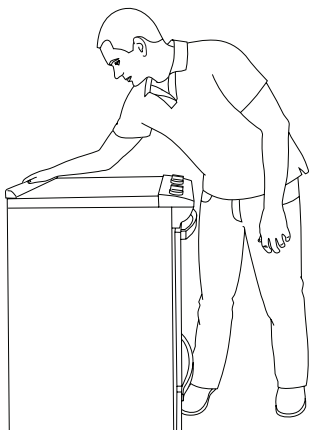
No seguir estas instrucciones puede ocasionar la muerte, incendio o choque eléctrico.

1. Deslice la estufa hacia su ubicación final.
2. Conecte el aparato a un tomacorriente de 3 terminales con conexión a tierra.

PASO 6 - INSTALACIÓN DE LA ESTUFA

IMPORTANTE: Si se mueve la estufa para ajustar las patas niveladoras, asegúrese de que cuando mueva la estufa de nuevo hacia su posición final, el soporte antivuelco esté enganchado; para ello, repita los pasos del 1 al 8.

1. Desplace la estufa a su posición final, asegurándose de que la pata niveladora trasera se deslice en el soporte antivuelco. Deje un espacio de 1" (2,5 cm) entre la parte posterior de la estufa y la pared posterior.
2. Coloque la parte exterior del pie contra la parte inferior delantera para evitar que la estufa se mueva, y luego sujete la parte posterior de la estufa como se muestra.



3. Intente inclinar lentamente la estufa hacia delante.

Si enseguida siente resistencia, quiere decir que la pata de la estufa está enganchada en el soporte antivuelco. Vaya al paso 8.

4. Si la parte trasera de la estufa se levanta más de $\frac{1}{2}$ " (1,3 cm) del piso sin sentir resistencia, deje de inclinar la estufa y bájela con cuidado hacia el piso. La pata de la estufa no está enganchada en el soporte antivuelco.

IMPORTANTE: Si se escucha un sonido de chasquido o de estallido cuando levanta la estufa, es posible que no esté totalmente enganchada en el soporte. Revise si hay obstrucciones que impiden que la estufa se deslice hacia la pared o que impiden que la pata de la estufa se deslice en el soporte. Verifique que el soporte se mantenga seguro en el lugar con los tornillos de montaje.

5. Desplace la estufa hacia delante y verifique que el soporte antivuelco esté fijado firmemente al piso o a la pared.
6. Desplace la estufa hacia atrás de modo que la pata trasera quede insertada en la ranura del soporte antivuelco.
7. Repita los pasos 1 y 2 para cerciorarse de que la pata de la estufa esté enganchada en el soporte antivuelco.

Si la parte trasera de la estufa se levanta más de $\frac{1}{2}$ " (1,3 cm) del piso sin sentir resistencia, es posible que el soporte antivuelco no se haya instalado correctamente. No ponga en funcionamiento la estufa sin tener el soporte antivuelco instalado y asegurado.

8. Mueva la estufa a su ubicación final, y verifique que la estufa esté nivelada colocando un nivel de carpintero en la parte inferior del horno.

NOTA: La estufa debe estar nivelada para lograr una cocción y un horneado óptimos.

9. Si es necesario, utilice una llave para ajustar la altura de las patas niveladoras hasta que la estufa esté nivelada de lado a lado y de adelante hacia atrás. Vea la sección "Nivele la estufa".

PASO 7 - NIVELE LA ESTUFA (SI ES NECESARIO)

IMPORTANTE: La estufa debe estar nivelada.

La estufa se puede elevar aproximadamente 2" (5 cm) al ajustar las patas niveladoras.

1. Si la estufa no está nivelada, jale la estufa hacia adelante hasta desenganchar la pata niveladora trasera del soporte antivuelco.
2. Coloque una parrilla plana estándar en el horno.
3. Coloque el nivel sobre la parrilla.
4. Con una llave de tuercas o pinzas, regule las patas niveladoras hacia arriba o hacia abajo hasta que la estufa esté nivelada.
5. Empuje la estufa a su posición final. Verifique que la pata niveladora trasera esté enganchada en el soporte antivuelco.

PASO 8 - VERIFIQUE EL FUNCIONAMIENTO DEL SISTEMA DE ENCENDIDO ELECTRÓNICO

Los quemadores de la superficie de cocción y del horno usan encendedores electrónicos en lugar de pilotos permanentes. Cuando se gira la perilla de control de la superficie de cocción a la posición "ICON" (Ícono), el sistema produce una chispa para encender el quemador.

La chispa continuará mientras se gire la perilla de control hacia "ICON" (Ícono).

Cuando se gira el control del horno hacia el ajuste deseado, se producen chispas y se enciende el gas.

Verifique el funcionamiento de los quemadores estándares de la superficie de cocción:

Empuje hacia adentro y gire cada perilla de control hacia la posición "ICON" (Ícono). La llama deberá encenderse en menos de 4 segundos. Es posible que la primera vez que se encienda el quemador tome más de 4 segundos debido al aire en la línea de gas.

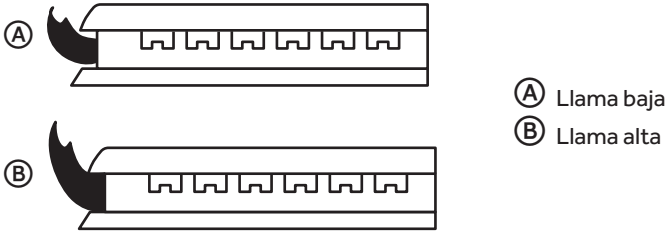
Si los quemadores no se encienden correctamente:

1. Gire la perilla de control del quemador hacia la posición "OFF" (Apagado).
2. Verifique que la estufa esté enchufada. Verifique que el cortacircuitos no se haya disparado o que no se haya quemado un fusible de la casa.
3. Verifique que las válvulas de cierre de gas estén en la posición de "abierto".
4. Verifique que las tapas de los quemadores estén en la posición correcta sobre las bases de los quemadores.

Repita el procedimiento de inicio. Si hasta este punto, no se ha encendido un quemador, gire las perillas de control hacia la posición "OFF" (Apagado) y póngase en contacto con el distribuidor o una compañía de servicio técnico autorizada para recibir ayuda.

Para regular la altura de la llama:

Ajuste la altura de las llamas del quemador. La llama "baja" del quemador de la superficie de cocción deberá ser una llama azul constante de aproximadamente $\frac{1}{4}$ " (6,4 mm) de alto.

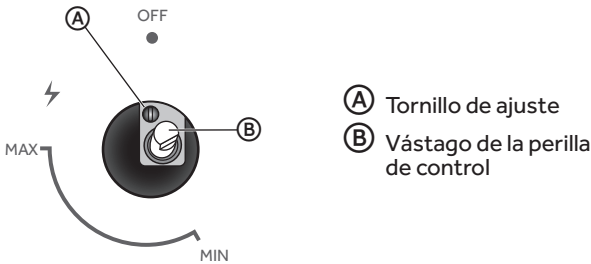


Para regular el quemador estándar:

IMPORTANTE: Los ajustes deben realizarse con los otros dos quemadores en funcionamiento en un ajuste medio. Esto evita que la fila superior de las llamas tenga un ajuste demasiado bajo, lo que da como resultado que la llama se apague cuando otros quemadores están encendidos.

La llama puede regularse usando el tornillo de ajuste que está en el centro del vástago de la válvula. El vástago de la válvula está ubicado directamente debajo de la perilla de control.

Si la llama "baja" necesita ser regulada:



1. Encienda un quemador y gire la perilla de control hacia el ajuste más bajo.
2. Quite la perilla de control.
3. Inserte un destornillador pequeño de hoja plana en el tornillo de ajuste y gire lentamente el tornillo hasta que el aspecto de la llama sea el correcto.
 - Abra más la válvula si las llamas son demasiado pequeñas u oscilantes.
 - Cierre más la válvula si las llamas son demasiado grandes.
4. Vuelva a colocar la perilla de control.
5. Pruebe la llama girando el control de "LO" (Bajo) a "HI" (Alto), verificando la llama en cada posición.
6. Repita los pasos anteriores para cada quemador.

CONVERSIÓN A GAS

! ADVERTENCIA



Peligro de explosión

Use una línea de suministro de gas nueva con aprobación de CSA International.

Instale una válvula de cierre.

Apriete firmemente todas las conexiones de gas.

Si se conecta a un suministro de gas LP, la presión no debe exceder una columna de agua de 14" (36 cm) y debe ser verificada por una persona calificada.

Ejemplos de una persona calificada incluyen:

- personal de calefacción con licencia,
- personal autorizado de la compañía de gas, y
- personal de servicio técnico autorizado.

No seguir esta instrucción puede ocasionar la muerte, explosión o incendio.

CONVERSIÓN A GAS LP/PROPANO

Este electrodoméstico puede usarse con gas LP y gas natural. Se envía de fábrica para ser usado con gas natural. Se suministra un juego para la conversión a gas LP con su superficie de cocción. El juego está marcado con la leyenda "PARA LA CONVERSIÓN A GAS LP/PROPANO".

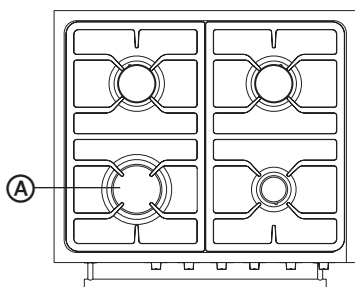
Cuando la superficie de cocción se convierte para usar gas licuado de petróleo (LP), se requiere el suministro de gas LP para proporcionar una columna de agua de un mínimo de 10" a un máximo de 14" al regulador de la superficie de cocción.

La conversión debe estar a cargo de un técnico de servicio calificado conforme a las instrucciones del juego y todos los códigos y requisitos locales. No seguir estas instrucciones podría causar lesiones graves o daños a la propiedad. La agencia calificada que realice este trabajo asume la responsabilidad de la conversión.

Tabla de características de quemadores y orificios de 24"

Burner	Position	Orifice	Gas	Pressure	Rate
		Diam. (mm)	Type	[i.w.c.]	[BTU/h]
Auxiliar	Derecha en la parte frontal	0,9	NG	4"	5000
		0,58	LP (Propano)	10"	5000
Semirrápido	Izquierda en la parte trasera	1,17	NG	4"	6859
		0,75	LP (Propano)	10"	6859
Triple	Izquierda en la parte frontal	0,93 + 1,82	NG	4"	17357
		1,14 + 0,56	LP (Propano)	10"	15000
Quemador rápido	Derecha en la parte trasera	1,6	NG	4"	6859
		1,03	LP (Propano)	10"	6859

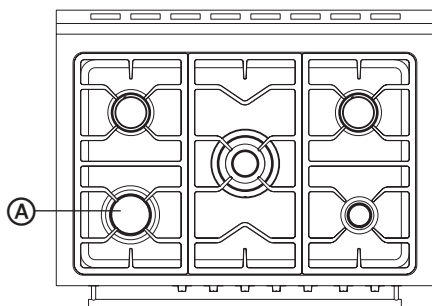
REMARQUE : Le brûleur triple ne possède que deux injecteurs, un injecteur monté au centre et l'autre monté sous la plaque d'obturation. Pour accéder au deuxième injecteur, retirer les deux vis et la plaque d'obturation.



- Ⓐ La abertura en la rejilla del aro para wok (provista) está ubicada en el quemador frontal izquierdo.

Tabla de características de quemadores y orificios de 36"

Burner	Position	Orifice	Gas	Pressure	Rate
		Diam. (mm)	Type	[i.w.c.]	[BTU/h]
Auxiliar	Derecha en la parte frontal	1.1	NG	4"	5000
		0.7	LP (Propano)	10"	5000
Semirrápido	Izquierda y derecha en la parte trasera	1.29	NG	4"	6859
		0.8	LP (Propano)	10"	6859
Quemador dual	Centre intérieur	0.99*5	NG	4"	17357
	Centre externe	0.56*6	LP (Propano)	10"	15000
Quemador rápido	Izquierda en la parte frontal	1.45	NG	4"	8500
		0.91	LP (Propano)	10"	8500



- A** La abertura en la rejilla del aro para wok (provista) está ubicada en el quemador frontal izquierdo.

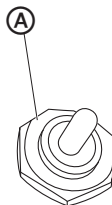
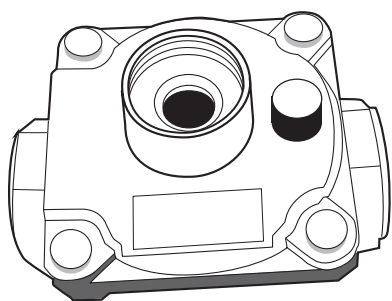
Herramientas necesarias para la conversión:

- Llave de tuercas
- Llave de tuercas de 7 mm
- Gafas de seguridad
- Destornillador de cabeza plana pequeño

PASO 1 - AJUSTAR EL REGULADOR

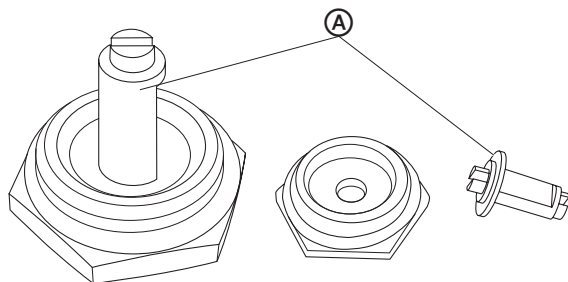
IMPORTANTE: Desconecte el suministro eléctrico en su totalidad, en el cortacircuitos o la caja de fusibles. Cierre el suministro de gas de la superficie de cocción, cerrando la válvula de cierre manual.

1. Destornille la tapa del regulador con la llave de tuercas.



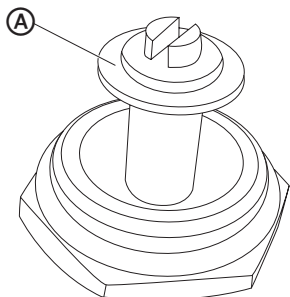
- A** Tapa del regulador

2. Quite el pasador de retención que está colocado en ese momento para uso con gas natural.



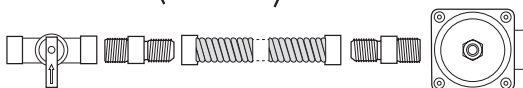
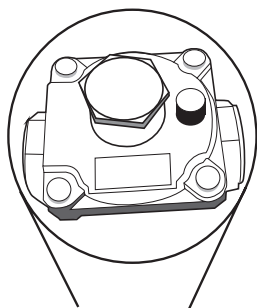
- A** Pasador de retención

3. Gire el pasador de retención hacia abajo y reemplácelo en la tapa del regulador. Ahora está colocado para uso con gas LP.



(A) Pasador de retención

4. Atornille la tapa del regulador nuevamente en el regulador y vuelva a colocarlo en la unión del niple y el quemador.

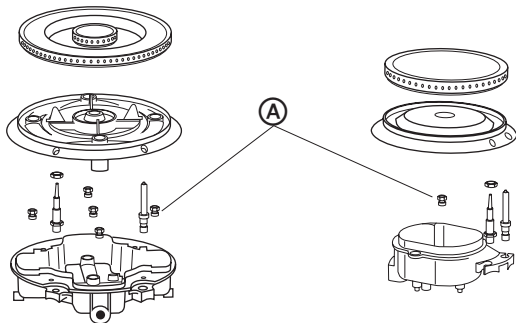


PASO 2 - CAMBIAR LAS BOQUILLAS DEL QUEMADOR

IMPORTANTE: Lea y observe con atención las etiquetas de cada boquilla para obtener una ubicación correcta. Vea la Tabla de quemadores que se muestra anteriormente en esta sección.

NOTA: Primero quite todas las boquillas y luego comience a reemplazarlas. Esto ayudará a evitar la posibilidad de que algunas no se puedan reemplazar.

1. Quite las rejillas, las tapas y los cabezales de los quemadores.
2. Con una llave de tuercas de 7 mm, retire las boquillas de los quemadores.

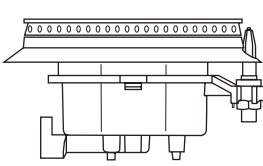


(A) Boquillas

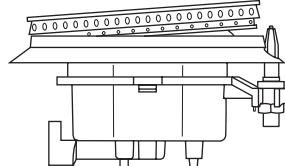
Quemador con aro triple
5 boquillas

Quemador auxiliar Quemador
semirrápido Quemador rápido
1 boquilla cada uno

3. Instale las boquillas adecuadas en los lugares exactos como se señala en el gráfico anterior.
4. Vuelva a colocar las bases, los cabezales, las tapas de los quemadores y las rejillas de la parte superior. Asegúrese de que las tapas de los quemadores estén colocadas correctamente en el cabezal del quemador.



Colocadas correctamente



No colocadas correctamente

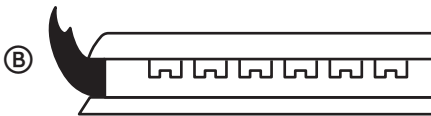
PASO 3 - AJUSTAR LAS LLAMAS DEL QUEMADOR

NOTAS:

- Gire todos los quemadores en el ajuste más alto y verifique las llamas. Deben ser de color azul y pueden tener algunas puntas amarillas en los extremos de la llama cuando se usa gas LP. Las partículas extrañas en la línea de gas pueden causar una llama anaranjada al principio, pero esto desaparecerá enseguida.
- Gire la perilla del quemador de la superficie de cocción hacia "LO" (Bajo), mientras observa la llama.
- Los ajustes deben realizarse con los otros dos quemadores en funcionamiento en un ajuste medio. Esto evita que la fila superior de las llamas tengan un ajuste demasiado bajo, lo que da como resultado que la llama se apague cuando otros quemadores están encendidos.

Para regular la altura de la llama:

Ajuste la altura de las llamas del quemador. La llama "baja" del quemador de la superficie de cocción deberá ser una llama azul constante de aproximadamente $\frac{1}{4}$ " (6,4 mm) de alto.



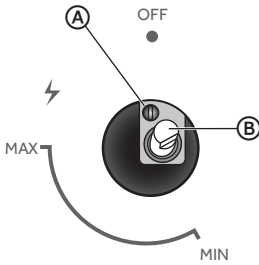
(A) Llama baja

(B) Llama alta

Para regular el quemador estándar:

La llama puede regularse usando el tornillo de ajuste que está en el centro del vástago de la válvula. El vástago de la válvula está ubicado directamente debajo de la perilla de control.

Si la llama "baja" necesita ser regulada:



- (A) Tornillo de ajuste
- (B) Vástago de la perilla de control

1. Encienda un quemador y gire la perilla de control hacia el ajuste más bajo.
2. Quite la perilla de control.
3. Inserte un destornillador pequeño de hoja plana en el tornillo de ajuste y gire lentamente el tornillo hasta que el aspecto de la llama sea el correcto.
 - Abra más la válvula si las llamas son demasiado pequeñas u oscilantes.
 - Cierre más la válvula si las llamas son demasiado grandes.
4. Vuelva a colocar la perilla de control.
5. Pruebe la llama girando el control de "LO" (Bajo) a "HI" (Alto), verificando la llama en cada posición.
6. Repita los pasos anteriores para cada quemador.

PASO 4 - PRUEBA DE LA ESTABILIDAD DE LA LLAMA

Prueba 1 - Gire la perilla de "HI" (Alto) a "LO" (Bajo) rápidamente. Si la fila superior de las llamas se apaga con este ajuste, aumente el tamaño de la llama y vuelva a hacer la prueba.

Prueba 2 - Con el quemador en "LO" (Bajo), abra y cierre la puerta del armario debajo de la superficie de cocción. Si las corrientes de aire creadas por el movimiento de la puerta apagan la llama, aumente la altura de la llama y vuelva a hacer la prueba.

PASO 5 - NUEVA VERIFICACIÓN DE LA LLAMA

Después de hacer el ajuste, apague todos los quemadores. Encienda cada quemador individualmente. Observe la llama en la posición "HI" (Alto). Gire la perilla hasta el ajuste más bajo y asegúrese de que el tamaño de la llama disminuya a medida que gira la perilla en sentido contrario a las agujas del reloj.

IMPORTANTE: Una vez que la conversión se haya completado y haya pasado la prueba, llene la etiqueta de conversión e incluya su nombre, organización y la fecha en que se realizó la conversión. Coloque la etiqueta cerca de la abertura de entrada de gas de la superficie de cocción para avisar a otros en el futuro de que este electrodoméstico ha sido convertido. Si convierte de nuevo a gas natural, retire la etiqueta para que otros sepan que el electrodoméstico está fijado para utilizar el gas original.

FUNCIONAMIENTO ANORMAL

CUALQUIERA DE LAS SIGUIENTES SITUACIONES SE CONSIDERAN DE FUNCIONAMIENTO ANORMAL Y PODRÍA REQUERIR SERVICIO TÉCNICO:

- Punta amarilla de la llama del quemador de la placa.
- Formación de hollín en los utensilios de cocina.
- Los quemadores no encienden correctamente.
- Los quemadores no permanecen encendidos.
- Los quemadores se apagan con la puerta del horno.
- Cuesta encender las válvulas de gas.

SI EL APARATO NO FUNCIONA CORRECTAMENTE, LLAME AL PROVEEDOR DE SERVICIO TÉCNICO AUTORIZADO EN SU ÁREA.

NO ES NECESARIO REGULAR EL AIRE PRINCIPAL DE LOS QUEMADORES.

IMPORTANT

Do Not Return This Product To The Store
If you have a problem with this product, please contact the
"Haier Customer Satisfaction Center" at
1-877-337-3639.

DATED PROOF OF PURCHASE, MODEL #, AND SERIAL #
REQUIRED FOR WARRANTY SERVICE

IMPORTANT

Ne pas Réexpédier ce Produit au Magasin
Pour tout problème concernant ce produit, veuillez contacter
le service des consommateurs "Haier Customer Satisfaction Center" au
1-877-337-3639.

PREUVE D'ACHAT DATÉE, NUMÉRO DE MODÈLE ET LE NUMÉRO DE SÉRIE
REQUIS POUR LE SERVICE DE GARANTIE

IMPORTANTE

No regrese este producto a la tienda
Si tiene algún problema con este producto, por favor contacte el
"Centro de Servicio al Consumidor de Haier" al
1-877-337-3639 (Válido solo en E.U.A).
NECESITA UNA PRUEBA DE COMPRA FECHADA, NÚMERO DE MODELO
Y DE SERIE PARA EL SERVICIO DE LA GARANTÍA

Made in China
Fabriqué en Chine
Hecho en China

Haier

Haier America
Wayne, NJ 07470

HCR2250AGS,
HCR6250AGS
Issued: April 2016

Printed in China

Part # 0570000701 REV A