

Haier

Installation and User Manual
Instructions d'installation et
Guide de l'utilisateur
Instrucciones de instalación y
Manual del usuario
QNE27J

Bottom Freezer Refrigerator

Réfrigérateur à congélateur inférieur

Refrigerador congelador inferior



TABLE OF CONTENTS

RECORD KEEPING	3
REFRIGERATOR SAFETY	4
Proper Disposal of Your Old Refrigerator	5
PARTS AND FEATURES	6
INSTALLATION REQUIREMENTS	6
Location Requirements	6
Clearances	6
INSTALLATION INSTRUCTIONS	7
Preparing to Install the Refrigerator	7
Appliance Dimensions	8
Installing the Water Line	9
Installing the Refrigerator	11
Completing Installation	16
REFRIGERATOR USE	17
Controls	17
Sabbath Mode	18
Internal Water Dispenser	18
Water Filter Cartridge XWFE	18
Shelves and Bins	20
Pans	20
Freezer Drawer	21
Automatic Icemaker	22
REFRIGERATOR CARE	23
Cleaning	23
Vacation and Moving	24
Replacing the Lights	24
TROUBLESHOOTING	25
APPLIANCE COMMUNICATION	29
XWFE WATER FILTER CARTRIDGE WARRANTY	30
PERFORMANCE DATA SHEET	31
LIMITED WARRANTY	32

RECORD KEEPING

Thank you for purchasing this Haier product. This user manual will help you get the best performance from your new refrigerator.

For future reference, record the model number, serial number, and the date of purchase. The model/serial number plate is located on the inside wall of the refrigerator.

Staple your proof of purchase to this manual to aid in obtaining warranty service if needed.

Model number _____

Serial number _____

Date of purchase _____

REFRIGERATOR SAFETY

⚠ WARNING To reduce the risk of fire, explosion, electric shock, or injury when using your refrigerator, follow these basic safety precautions:

- This refrigerator must be properly installed and located in accordance with the Installation Instructions before it is used.
- Unplug the refrigerator before making repairs or cleaning.
NOTE: Power to the refrigerator cannot be disconnected by any setting on the control panel.
NOTE: Repairs must be performed by a qualified Service Professional.
- Replace all parts and panels before operating.
- Do not use an extension cord.
- Do not store or use gasoline or other flammable vapors and liquids in the vicinity of this or any other appliance.
- Do not store explosive substances such as aerosol cans with a flammable propellant in this appliance.
- To prevent suffocation and entrapment hazards to children, remove the fresh food and freezer doors from any refrigerator before disposing of it or discontinuing its use.
- To avoid serious injury or death, children should not stand on, or play in or with the appliance.
- Children and persons with reduced physical, sensory or mental capabilities or lack of experience and knowledge can use this appliance only if they are supervised or have been given instructions on safe use and understand the hazards involved.
- This appliance is intended to be used in household and similar applications such as: staff kitchen areas in shops, offices and other working environments; farm houses; by clients in hotels, motels, bed & breakfast and other residential environments; catering and similar non-retail applications.
- Connect to potable water supply only. A cold water supply is required for automatic icemaker operation. The water pressure must be between 40 and 120 psi (275-827 kilopascals).
- Do not apply harsh cleaners to the refrigerator. Certain cleaners will damage plastic which may cause parts such as the door or door handles to detach unexpectedly. See the Care and Cleaning section for detailed instructions.

⚠ CAUTION To reduce the risk of injury when using your refrigerator, follow these basic safety precautions.

- Do not clean glass shelves or covers with warm water when they are cold. Glass shelves and covers may break if exposed to sudden temperature changes or impact, such as bumping or dropping. Tempered glass is designed to shatter into many small pieces if it breaks.
- Keep fingers out of the "pinch point" areas; clearances between the doors and between the doors and cabinet are necessarily small. Be careful closing doors when children are in the area.
- Do not touch the cold surfaces in the freezer compartment when hands are damp or wet, skin may stick to these extremely cold surfaces.
- Do not refreeze frozen foods which have thawed completely.
- In refrigerators with automatic icemakers, avoid contact with the moving parts of the ejector mechanism, or with the heating element that releases the cubes. Do not place fingers or hands on the automatic ice making mechanism while the refrigerator is plugged in.
- Use a sturdy glass when dispensing ice (on models with ice dispenser)

INSTALLATION

⚠ WARNING  **EXPLOSION HAZARD**

Keep flammable materials and vapors, such as gasoline, away from refrigerator. Failure to do so can result in fire, explosion, or death.

REFRIGERATOR SAFETY

CONNECTING ELECTRICITY

⚠ WARNING ELECTRICAL SHOCK HAZARD

Plug into a grounded 3-prong outlet

Do not remove the ground prong

Do not use an adapter

Do not use an extension cord.

Failure to follow these instructions can result in death, fire, or electrical shock.

Do not, under any circumstances, cut or remove the third (ground) prong from the power cord. For personal safety, this appliance must be properly grounded.

The power cord of this appliance is equipped with a 3-prong (grounding) plug which mates with a standard 3-prong (grounding) wall outlet to minimize the possibility of electric shock hazard from this appliance.

Have the wall outlet and circuit checked by a qualified electrician to make sure the outlet is properly grounded.

Where a standard 2-prong wall outlet is encountered, it is your personal responsibility and obligation to have it replaced with a properly grounded 3-prong wall outlet. Do not use an adapter.

The refrigerator should always be plugged into its own individual electrical outlet which has a voltage rating that matches the rating plate.

A 115 Volt AC, 60 Hz, 15- or 20-amp fused, grounded electrical supply is required. This provides the best performance and also prevents overloading house wiring circuits which could cause a fire hazard from overheated wires.

Never unplug your refrigerator by pulling on the power cord. Always grip plug firmly and pull straight out from the outlet.

Immediately discontinue use of a damaged supply cord. If the supply cord is damaged, it must be replaced by a qualified service professional with an authorized service part from the manufacturer.

When moving the refrigerator away from the wall, be careful not to roll over or damage the power cord.

PROPER DISPOSAL OF YOUR OLD REFRIGERATOR

⚠ WARNING SUFFOCATION AND ENTRAPMENT HAZARD

Failure to follow these disposal instructions can result in death or serious injury

IMPORTANT: Child entrapment and suffocation are not problems of the past. Junked or abandoned refrigerators are still dangerous even if they will sit for "just a few days." If you are getting rid of your old refrigerator, please follow the instructions below to help prevent accidents.

Before You Throw Away Your Old Appliance

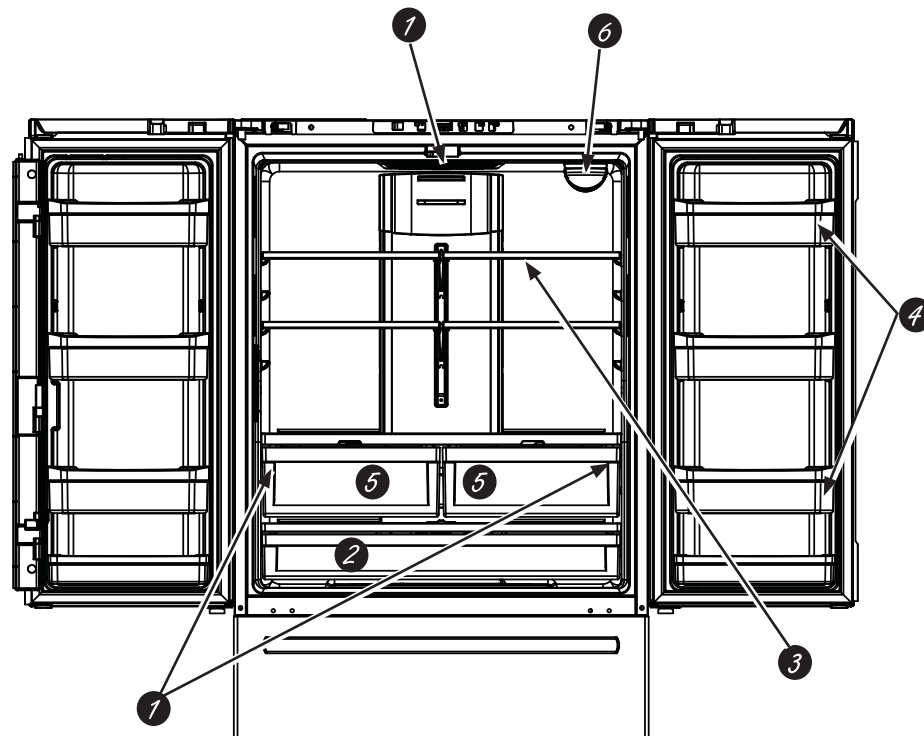
- Take off the fresh food and freezer doors.
- Leave the shelves in place so that children may not easily climb inside.

Refrigerant and Foam Disposal:

Dispose of appliance in accordance with Federal and Local Regulations. Flammable insulation material used requires special disposal of your appliance. Contact your local authorities for the environmentally safe disposal of your appliance.

READ AND SAVE THESE INSTRUCTIONS

PARTS AND FEATURES



- 1 LED lighting**
LED lights in the fresh food compartment are located at the top center and on the left and right sides of climate zone pans. LED lights are also located in the freezer; see page 24.
- 2 Full-width drawer**
A full-width drawer that can accommodate larger items is located at the bottom of the fresh food compartment.
- 3 QuickSpace™ shelf**
Functions as a normal full-sized shelf when needed and easily slides back to store tall items below.
- 4 Removable/adjustable door bins**
Can be moved up or down to accommodate your needs.
- 5 Climate zone drawers**
Separate pans for produce storage.
- 6 Water filter**
Accessible for easy replacement.

INSTALLATION REQUIREMENTS

LOCATION REQUIREMENTS

IMPORTANT: This refrigerator is designed for indoor, household use only.

- Do not install the refrigerator where the temperature will go below 60°F (16°C) because it will not run often enough to maintain proper temperatures.
- Do not install the refrigerator where the temperature will go above 100°F (37°C) because it will not perform properly.
- Do not install the refrigerator in a location exposed to water (rain, etc.) or direct sunlight.
- Install it on a floor strong enough to support it fully loaded.

CLEARANCES

Allow the following clearances for ease of installation, proper air circulation and plumbing and electrical connections.

Sides	1/8" (3 mm)
Top	1" (25 mm) Cabinet/Hinge Cover
Back	2" (50 mm)

INSTALLATION INSTRUCTIONS

BEFORE YOU BEGIN

Read these instructions completely and carefully.

- **IMPORTANT** — Observe all governing codes and ordinances. Save these instructions for local inspector's use.
- **Note to Installer** – Be sure to leave these instructions with the Consumer.
- **Note to Consumer** – Keep these instructions for future reference.
- **Skill level** – Installation of this appliance requires basic mechanical skills.
- **Completion time** – Refrigerator Installation - 20 minutes
Water Line Installation - 30 minutes
- Proper installation is the responsibility of the installer.
- Product failure due to improper installation is not covered under the Warranty.

PREPARATION

MOVING THE REFRIGERATOR INDOORS

If the refrigerator will not fit through a doorway, the refrigerator door and freezer drawer or door can be removed.

- To remove the refrigerator door, see Removing Doors in the Installation Instructions section.
- To remove the freezer drawer, see Freezer Drawer in the Installation Instructions section.

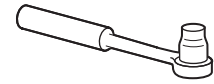
WATER SUPPLY TO THE ICEMAKER AND DISPENSER

The icemaker will have to be connected to a cold water line. A water supply kit (containing tubing, shutoff valve, fittings and instructions) is available at extra cost from your dealer, by visiting our website at Haierappliances.com or from Parts and Accessories, 877.337.3639 (in Canada, GEAppliances.ca or 800.661.1616).

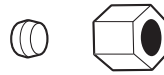
TOOLS YOU MAY NEED



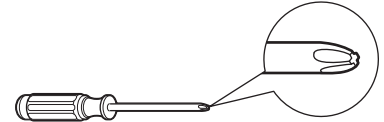
Adjustable Wrench



3/8" and 5/8" Socket Ratchet/Driver



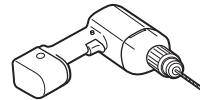
1/4" Outer Diameter Compression Nut and Ferrule (sleeve) (icemaker models only)



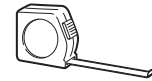
Phillips-Head Screwdriver



3/32", 1/8" & 3/16" Allen Wrenches



1/8" Drill Bit and Electric or Hand Drill



Tape Measure



Pencil



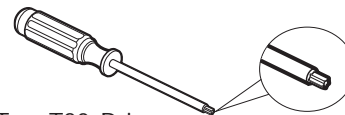
1/4" Nut Driver



Wire Cutters



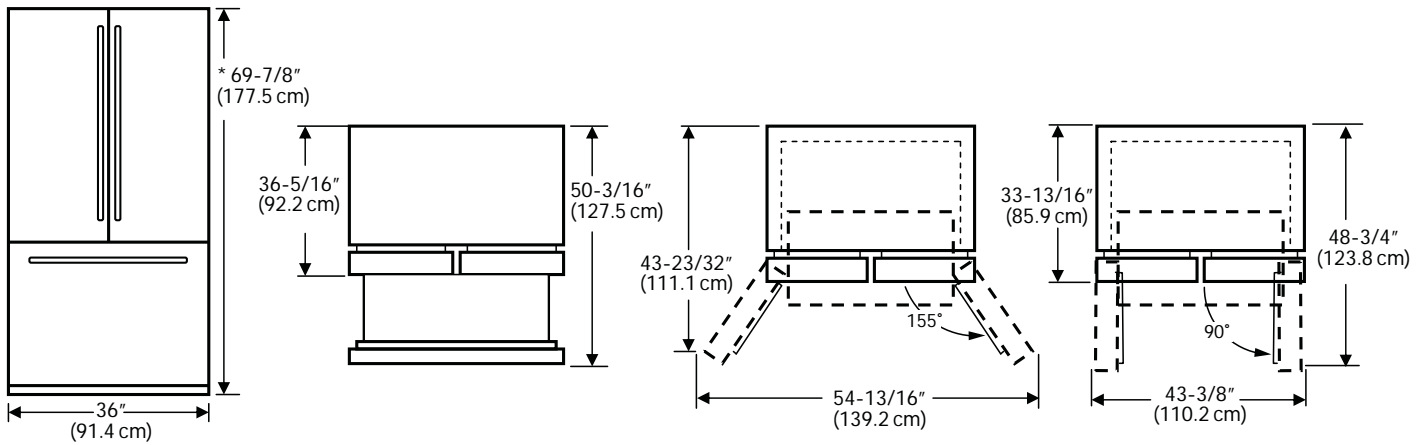
Level



Torx T20, Driver

INSTALLATION INSTRUCTIONS

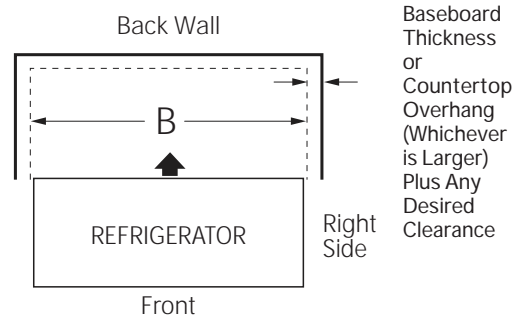
APPLIANCE DIMENSIONS



NOTE: * The height of the refrigerator to the top of the door.

MEASURE THE CABINET OPENING ACCORDING TO THE WIDTH OF THE REFRIGERATOR

Measure width of cabinet opening where refrigerator will be placed, B. Be sure to account for any countertop overhang, baseboard thickness and any clearance desired. Width, B, should not be less than $36"$ (91.4 cm). The refrigerator will be placed approximately in the middle of this opening.



INSTALLATION INSTRUCTIONS

INSTALLING THE WATER LINE

BEFORE YOU BEGIN

Recommended copper water supply kits are WX8X2, WX8X3 or WX8X4, depending on the amount of tubing you need. Approved plastic water supply lines are Universal Water Line Refrigerator Tubing (WX08X10006, WX08X10015 and WX08X10025).

If the water supply to the refrigerator is from a Reverse Osmosis Water Filtration System (RO) AND the refrigerator also has a water filter, use the refrigerator's filter bypass plug. Using the refrigerator's water filtration cartridge in conjunction with an RO water filter can result in hollow ice cubes. Some models do not come equipped with the filter bypass plug. To obtain a free bypass plug, call 877.337.3639. In Canada call 800.661.1616.

This water line installation is not warranted by the refrigerator or icemaker manufacturer. Follow these instructions carefully to minimize the risk of expensive water damage.

Water hammer (water banging in the pipes) in house plumbing can cause damage to refrigerator parts and lead to water leakage or flooding. Call a qualified plumber to correct water hammer before installing the water supply line to the refrigerator.

To prevent burns and product damage, do not hook up the water line to the hot water line.

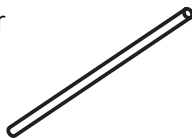
Do not install the icemaker tubing in areas where temperatures fall below freezing.

When using any electrical device (such as a power drill) during installation, be sure the device is double insulated or grounded in a manner to prevent the hazard of electric shock, or is battery powered.

All installations must be in accordance with local plumbing code requirements.

WHAT YOU WILL NEED

- Copper or Universal Water Line Refrigerator Tubing kit, 1/4" outer diameter to connect the refrigerator to the water supply. If using copper, be sure both ends of the tubing are cut square.



To determine how much tubing you need: measure the distance from the water valve on the back of the refrigerator to the water supply pipe. Be sure there is sufficient extra tubing to allow the refrigerator to move out from the wall after installation.

Universal Water Line Refrigerator Tubing Kits are available in the following lengths:

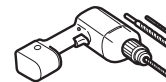
- 6' (1.8 m) – WX08X10006
- 15' (4.6 m) – WX08X10015
- 25' (7.6 m) – WX08X10025

⚠ WARNING

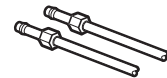
Connect to potable water supply only. A cold water supply is required for automatic icemaker operation. The water pressure must be between 40 and 120 psi (275-827 kilopascals)

NOTE: The only approved plastic tubing is that supplied in Universal Water Line Refrigerator Tubing kits. Do not use any other plastic water supply line because the line is under pressure at all times. Certain types of plastic will crack or rupture with age and cause water damage to your home.

- A water supply kit (containing tubing, shutoff valve and fittings listed below) is available at extra cost from your dealer or from Parts and Accessories, 877.337.3639 or go to **Haierappliances.com** (GEAppliances.ca or 800.661.1616 in Canada).
- A cold water supply. The water pressure must be between 20 and 120 p.s.i. (138-827 kPa).
- Power drill.



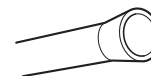
- 1/2" or adjustable wrench.
- Straight and Phillips blade screwdriver.



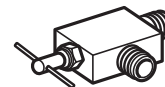
- Two 1/4" outer diameter compression nuts and 2 ferrules (sleeves)—to connect the copper tubing to the shutoff valve and the refrigerator water valve.

OR

- If you are using a Universal Water Line Refrigerator Tubing kit, the necessary fittings are preassembled to the tubing.



- If your existing copper water line has a flared fitting at the end, you will need an adapter (available at plumbing supply stores) to connect the water line to the refrigerator OR you can cut off the flared fitting with a tube cutter and then use a compression fitting. Do not cut formed end from Universal Water Line Refrigerator tubing.



- Shutoff valve to connect to the cold water line. The shutoff valve should have a water inlet with a minimum inside diameter of 5/32" at the point of connection to the COLD WATER LINE. Saddle-type shutoff valves are included in many water supply kits. Before purchasing, make sure a saddle-type valve complies with your local plumbing codes.

INSTALLATION INSTRUCTIONS

INSTALLING THE WATER LINE (Cont.)

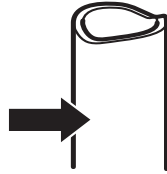
Install the shutoff valve on the nearest frequently used drinking water line.

1. SHUT OFF THE MAIN WATER SUPPLY

Turn on the nearest faucet long enough to clear the line of water.

2. CHOOSE THE VALVE LOCATION

Choose a location for the valve that is easily accessible. It is best to connect into the side of a vertical water pipe. When it is necessary to connect into a horizontal water pipe, make the connection to the top or side, rather than at the bottom, to avoid drawing off any sediment from the water pipe.

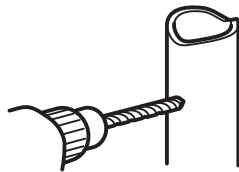


3. DRILL THE HOLE FOR THE VALVE

Drill a 1/4" hole in the water pipe (even if using a self-piercing valve), using a sharp bit. Remove any burrs resulting from drilling the hole in the pipe.

Take care not to allow water to drain into the drill.

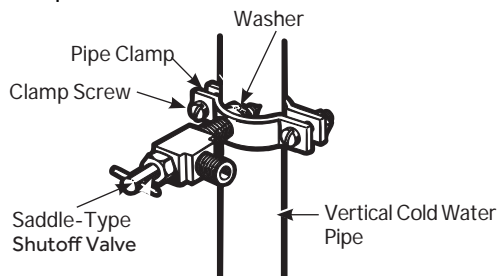
Failure to drill a 1/4" hole may result in reduced ice production or smaller cubes.



4. FASTEN THE SHUTOFF VALVE

Fasten the shutoff valve to the cold water pipe with the pipe clamp.

NOTE: Commonwealth of Massachusetts Plumbing Codes 248CMR shall be adhered to. Saddle valves are illegal and use is not permitted in Massachusetts. Consult with your licensed plumber.



5. TIGHTEN THE PIPE CLAMP

Tighten the clamp screws until the sealing washer begins to swell.

NOTE: Do not over tighten or you may crush the tubing.

6. ROUTE THE TUBING

Route the tubing between the cold water line and the refrigerator.

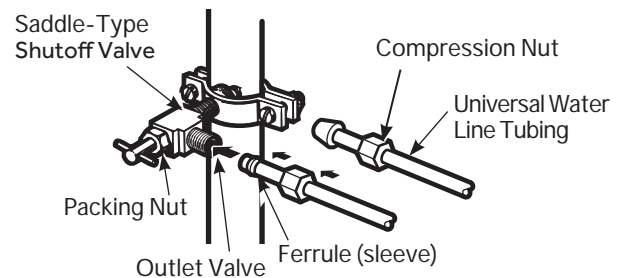
Route the tubing through a hole drilled in the wall or floor (behind the refrigerator or adjacent base cabinet) as close to the wall as possible.

7. FASTEN THE SHUTOFF VALVE

Place the compression nut and ferrule (sleeve) for copper tubing onto the end of the tubing and connect it to the shutoff valve.

Make sure the tubing is fully inserted into the valve. Tighten the compression nut securely.

For plastic tubing from a Universal Water Line Refrigerator Tubing kit, insert the molded end of the tubing into the shutoff valve and tighten compression nut until it is hand tight, then tighten one additional turn with a wrench. Over tightening may cause leaks.

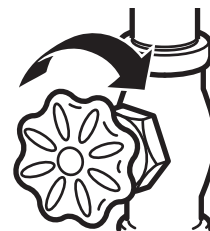


NOTE: Commonwealth of Massachusetts Plumbing Codes 248CMR shall be adhered to. Saddle valves are illegal and use is not permitted in Massachusetts. Consult with your licensed plumber.

8. FLUSH OUT THE TUBING

Turn the main water supply on and flush out the tubing until the water is clear.

Shut the water off at the water valve after about one quart (1 liter), or 2 minutes, of water has been flushed through the tubing.



INSTALLATION INSTRUCTIONS

INSTALLING THE REFRIGERATOR - FRENCH DOORS

REFRIGERATOR LOCATION

- Do not install the refrigerator where the temperature will go below 60°F (16°C) because it will not run often enough to maintain proper temperatures.
- Do not install the refrigerator where the temperature will go above 100°F (37°C) because it will not perform properly.
- Do not install the refrigerator in a location exposed to water (rain, etc.) or direct sunlight.
- Install it on a floor strong enough to support it fully loaded.

CLEARANCES

Allow the following clearances for ease of installation, proper air circulation and plumbing and electrical connections.

Sides	1/8" (3 mm)
Top	1" (25 mm) Cabinet/Hinge Cover
Back	2" (50 mm)

▲ WARNING Follow all steps. Failure to follow these instructions, leaving off parts, or overtightening screws, can lead to the door falling off and result in injury and property damage.

IMPORTANT NOTES

When removing french doors:

- Read the instructions all the way through before starting.
- Place the screws by their related parts to avoid using them in the wrong places.
- Provide a non-scratching work surface for the doors.

▲ CAUTION Lifting Hazard.

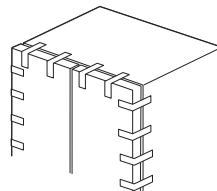
Single person lift can cause injury. Use assistance when handling, moving or lifting the refrigerator doors.

NOTE: When moving door, to prevent damage to door and electronics carefully place the door in a proper location.

▲ WARNING

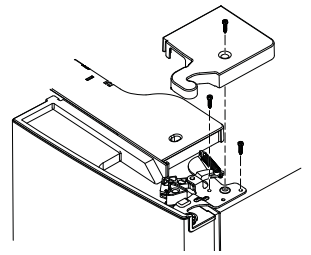
To eliminate the risk of electric shock or injury during installation, you must first unplug the refrigerator before proceeding. Failure to follow these instructions can result in electrical shock.

Tape the doors shut with adhesive tape.



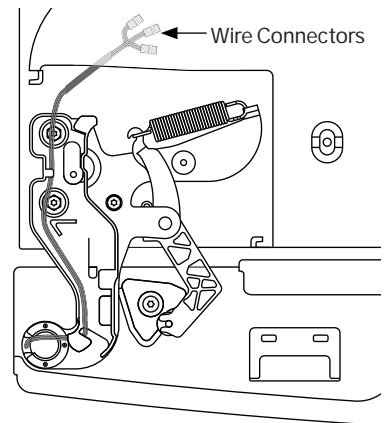
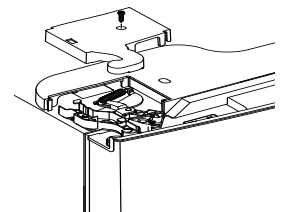
1. REMOVING DOORS (Right)

- Remove the hinge cover on top of the right fresh food door by removing the screw using a Phillips screwdriver.
- Using a 5/16" socket ratchet/driver, remove the bolts securing the top hinge to the cabinet. Lift the hinge support straight up to free the hinge pin from the socket in the top of the door.
- Remove the tape from the right door and tilt the door away from the cabinet. Lift the door off the center hinge pin.
- Set the door on a non-scratching surface with the inside up.

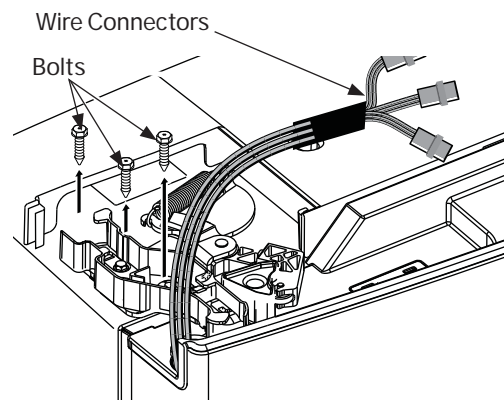


2. REMOVING DOORS (Left)

- Remove the hinge cover on top of the left fresh food door by removing the screw using a Phillips screwdriver.
- Unplug the 3 wire connectors and move the wires until you can see the screws holding the hinge.



- Using a 5/16" socket/ratchet driver, remove the bolts securing the top hinge to the cabinet.

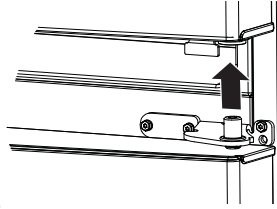


INSTALLATION INSTRUCTIONS

INSTALLING THE REFRIGERATOR - FRENCH DOORS

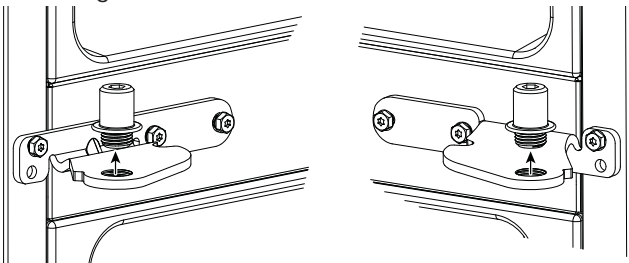
1. REMOVING DOORS (Cont.)

- D. Lift the hinge straight up to free the hinge pin from the socket in the top of the door and pass the wire through the slot in the hinge.
- E. Remove the tape from the door, open the door 90 degrees and tilt the door away from the cabinet. Lift the door off the center hinge pin.
- F. Set the door on a non-scratching surface with the inside up.

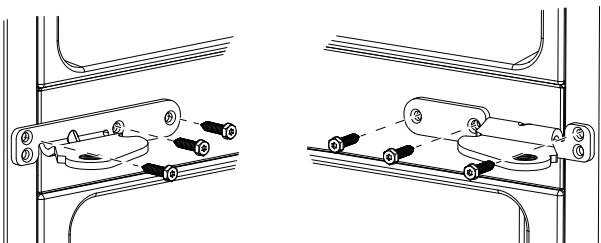


3. REMOVING CENTER HINGES AND BRACKETS

- A. Using a 1/4" Allen wrench, remove the 2 hinge pins from the hinge brackets.



- B. Using a 5/16" socket/ratchet driver, remove the bolts securing the center hinge brackets to the cabinet.



REINSTALLING DOORS

⚠ WARNING Follow all steps. Failure to follow these instructions, leaving off parts, or overtightening screws, can lead to the door falling off and result in injury and property damage.

IMPORTANT NOTES

When replacing french doors:

- Read the instructions all the way through before starting.

⚠ CAUTION Lifting Hazard.

Single person lift can cause injury. Use assistance when handling, moving or lifting the refrigerator doors.

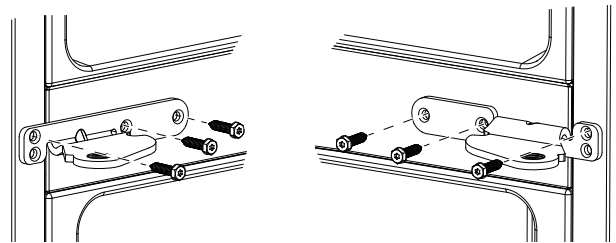
NOTE: When moving door, to prevent damage to door and electronics carefully place the door in a proper location.

⚠ WARNING

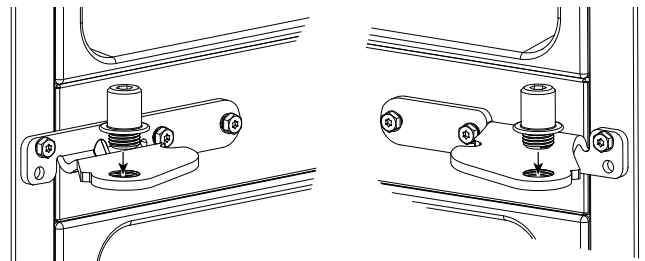
To eliminate the risk of electric shock or injury during installation, you must first unplug the refrigerator before proceeding. Failure to follow these instructions can result in electrical shock.

1. REINSTALLING CENTER HINGE BRACKETS AND HINGES

- A. Using a 5/16" socket/ratchet driver, reinstall the bolts and center hinge brackets to the cabinet.



- B. Using a 1/4" Allen wrench, reinstall the 2 hinge pins into the hinge brackets.

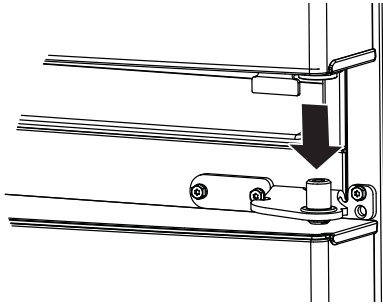


INSTALLATION INSTRUCTIONS

INSTALLING THE REFRIGERATOR - FRENCH DOORS (Cont.)

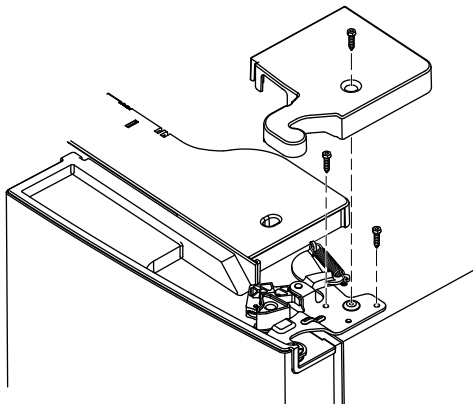
2. REHANGING THE RIGHT DOOR

A. Lower the refrigerator door onto the right hinge pin.



B. Make sure the door is aligned with the cabinet. Attach the hinge to the top of the cabinet loosely with bolts removed earlier.

C. Make sure the gasket on the door is flush against the cabinet and is not folded. Tighten the bolts to 60 lb/in. (6.78 Nm).

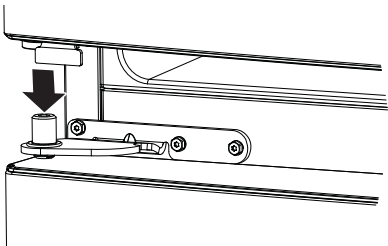


D. Replace the right hinge cover on top of the refrigerator using a Phillips screwdriver.

3. REHANGING THE LEFT DOOR

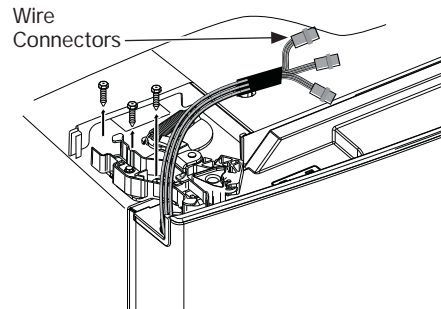
A. Pass the wire through the slot in the hinge. Place the hinge pin into the top of the door.

B. Lower the refrigerator door onto the left hinge pin.

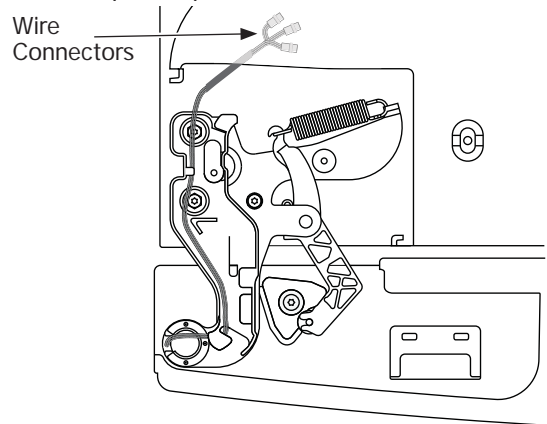


C. Make sure the door is aligned with the cabinet. Attach the hinge to the top of the cabinet loosely with bolts removed earlier.

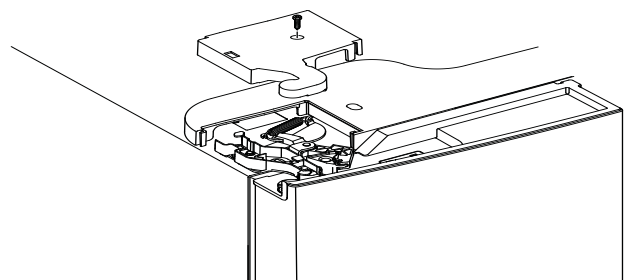
D. Make sure the gasket on the door is flush against the cabinet and is not folded. Tighten the bolts to 60 lb/in. (6.78 Nm).



E. Plug the wire connectors together and route the wire inside the plastic port.



F. Replace the left hinge cover on top of the refrigerator using a Phillips screwdriver.



INSTALLATION INSTRUCTIONS

INSTALLING THE REFRIGERATOR- FREEZER DRAWER

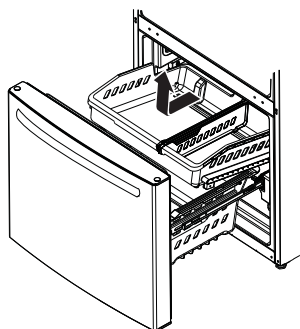
IMPORTANT NOTES

When removing freezer drawer:

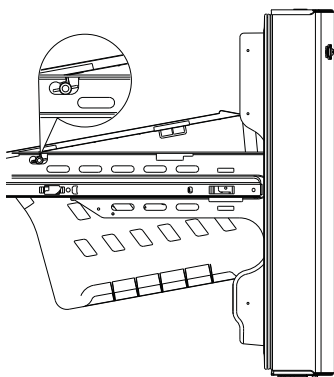
- Read the instructions all the way through before starting.
- Provide a non-scratching work surface for the doors.

1. REMOVE THE BASKETS

- A. Open the freezer drawer until it stops.
- B. Pull the top basket out until it stops. Lift the basket up on the front and out to remove.

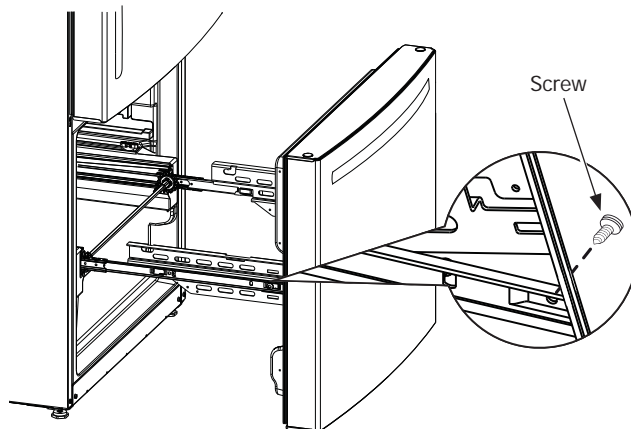


- C. The lower basket rests on a frame inside the freezer drawer. Lift the front of the basket and pull it forward. Release the pins from the slots on the frame to remove the basket.

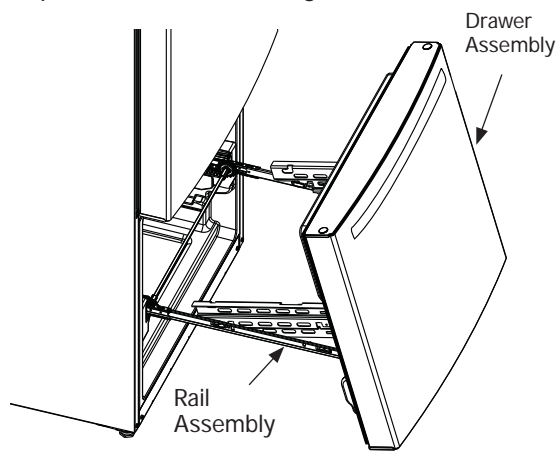


2. REMOVE THE DRAWER FRONT

- A. Remove the screw on each side of the railing.



- B. Lift up on both sides of the freezer drawer handle to separate the drawer railings from the rail assemblies.



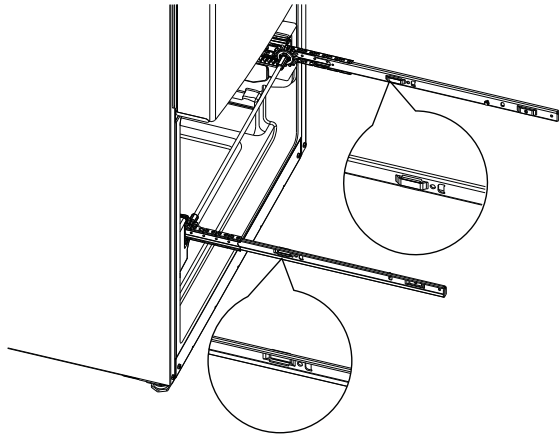
- C. Set the drawer front on a non-scratching surface.
- D. Push the rail assemblies back into locking position.

INSTALLATION INSTRUCTIONS

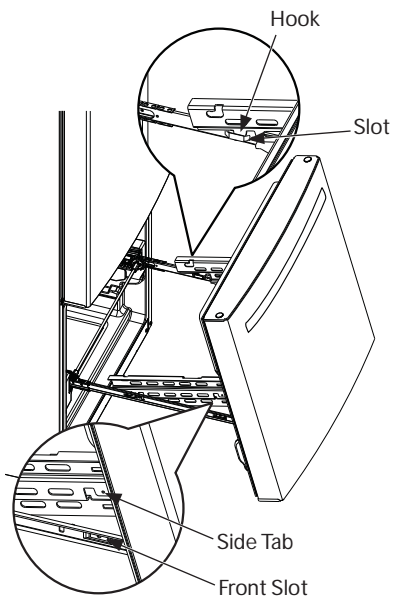
INSTALLING THE REFRIGERATOR - FREEZER DRAWER (Cont.) (on some models)

3. REINSTALL FREEZER DRAWER FRONT

- A. Pull the rail assemblies to the maximum extension.
- B. Locate the slots on the inside of each slide.

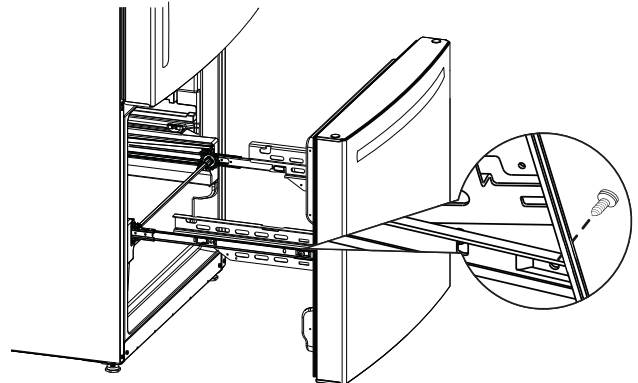


- C. Insert the hooks on the ends of the drawer assembly extensions into the slots near the back of the slides.



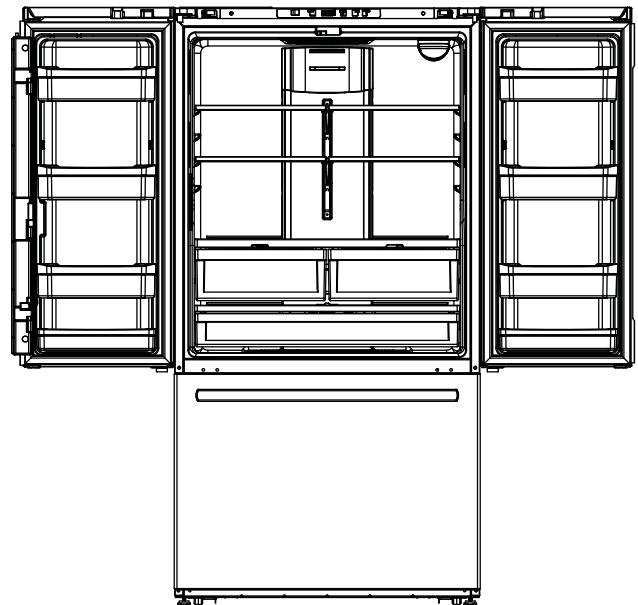
- D. Lower the front end of the freezer drawer assembly so the side tabs fit into the front slots on the rail assemblies.

- E. Replace the safety screws in both sides of the slide assemblies.
- F. Replace lower and upper baskets (see Freezer Drawer).



REFRIGERATOR SUGGESTED ASSEMBLY

Shelves shown in the location for best energy efficiency.



QNE27J
27 cuft. Models
French Door with Freezer Drawer

INSTALLATION INSTRUCTIONS

CONNECTING TO THE HOUSE WATER LINE

A cold water supply is required for automatic icemaker operation. If there is not a cold water supply, you will need to provide one. See Installing the Water Line section.

NOTES:

- Before making the connection to the refrigerator, be sure the refrigerator power cord is not plugged into the wall outlet.
- If your refrigerator does not have a water filter, we recommend installing one if your water supply has sand or particles that could clog the screen of the refrigerator's water valve. Install it in the water line near the refrigerator. If using Universal Water Line Refrigerator Tubing Kit, you will need an additional tube (WX08X10002) to connect the filter. Do not cut plastic tube to install filter.
- Before connecting the water line to the house, purge the house line for at least 2 minutes.
 - A. If you are using copper tubing, place a compression nut and ferrule (sleeve) onto the end of the tubing coming from the house cold water supply. If you are using the Universal Water Line tubing, the nuts are already assembled to the tubing.
 - B. If you are using copper tubing, insert the end of the tubing into the refrigerator connection, at the back of the refrigerator, as far as possible. While holding the tubing, tighten the fitting. If you are using Universal Water Line tubing, insert the molded end of the tubing into the refrigerator connection, at the back of the refrigerator, and tighten the compression nut until it is hand tight. Then tighten one additional turn with a wrench. Over tightening may cause leaks.

⚠ WARNING

Connect to potable water supply only.

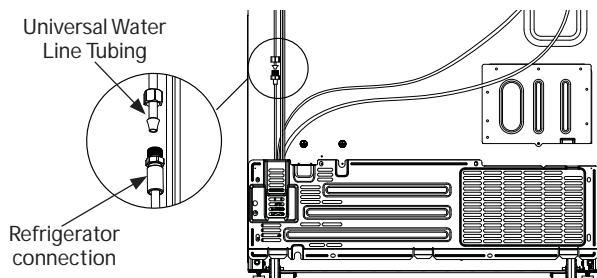
A cold water supply is required for automatic icemaker operation. The water pressure must be between 40 and 120 psi (275-827 kilopascals).

⚠ WARNING



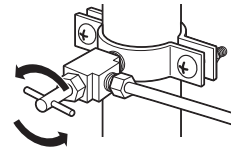
ELECTRIC SHOCK HAZARD

Attach tubing clamp using existing hole only. DO NOT drill into the refrigerator.



TURN ON THE WATER SUPPLY

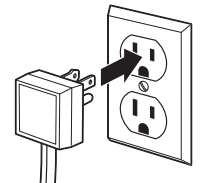
Turn the water on at the shutoff valve (house water supply) and check for any leaks.



PLUG IN THE REFRIGERATOR

On models with an icemaker, before plugging in the refrigerator, make sure the icemaker switch is set to the OFF position.

See the grounding information attached to the power cord.

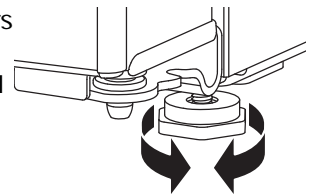


PUT THE REFRIGERATOR IN PLACE

Move the refrigerator to its final location.

LEVEL THE REFRIGERATOR

Adjustable legs at the front corners of the refrigerator should be set so the refrigerator is firmly positioned on the floor, and the front is raised just enough that the door closes easily when opened about halfway.

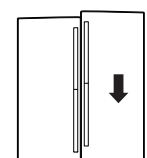


To adjust the leveling legs, turn the legs **clockwise** to raise the refrigerator, **counterclockwise** to lower it.

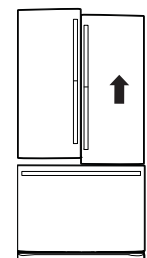
LEVEL THE REFRIGERATOR DOORS

Remember a level refrigerator is necessary for getting the doors perfectly even. If you need help, review the previous section on leveling the refrigerator.

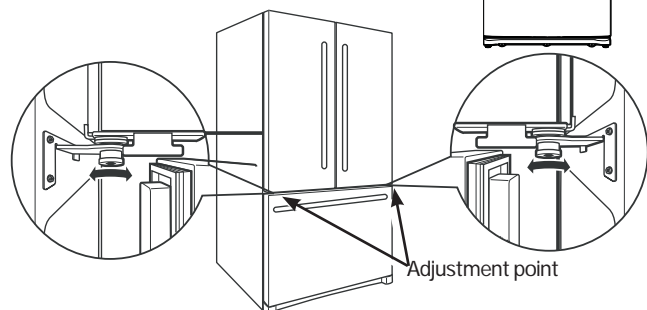
If the doors remain uneven, turn the adjustable pin to raise the lowest door using a 1/4" allen wrench to turn the pin.



When the left door is lower than the right door.



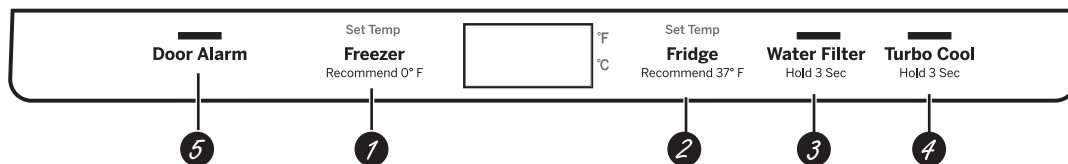
When the left door is higher than the right door.



REFRIGERATOR USE

CONTROLS

(on some models)



- Freezer Compartment Temperature Control**
Adjust freezer compartment temperature. The freezer temperature is preset in the factory at **0°F (-17.8°C)**. Allow 24 hours for temperature to stabilize to the preset recommended setting.
- Fresh Food Compartment Temperature Control**
Adjust fresh food compartment temperature. The fresh food temperature is preset in the factory at **37°F (2.8°C)**. Allow 24 hours for temperature to stabilize to the preset recommended setting.
- Water Filter**
Press and hold 3 seconds to reset the Water Filter.
- Turbo Cool**
To set the **TurboCool™**, press the **Turbo Cool** pad for 3 seconds. The display will show **tc**. **TurboCool™** rapidly cools the refrigerator compartment in order to more quickly cool foods. Use **TurboCool™** when adding a large amount of the food to the refrigerator compartment, putting away foods after they

have been sitting out at room temperature, or when putting away warm leftovers. It can also be used if the refrigerator has been without power for an extended period.

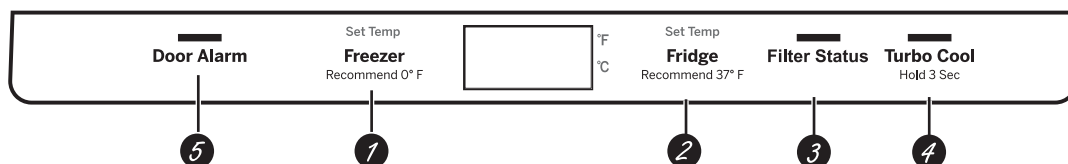
NOTE: The refrigerator temperature cannot be changed during **TurboCool™**. The freezer temperature is not affected during **Turbo Cool**. When opening the refrigerator door during **TurboCool™**, the fans will continue to run if they have cycled on.

- Door Alarm**
To set the alarm, press the **Door Alarm** pad. This alarm will sound if either door is open for more than 2 minutes. The beeping stops when you close the door.

NOTE: To put the refrigerator control in the **OFF** position, simultaneously touch the words **Freezer** and **Fridge** for 3 seconds. Power to the refrigerator cannot be disconnected by any setting on the control panel.

Changing °F to °C or °C to °F: Press and hold the "DOOR ALARM" and "FREEZER" buttons simultaneously for 5 seconds to set °C to °F or °F to °C.

(on some models)



- Freezer Compartment Temperature Control**
Adjust freezer compartment temperature. The freezer temperature is preset in the factory at **0°F (-17.8°C)**. Allow 24 hours for temperature to stabilize to the preset recommended setting.
- Fresh Food Compartment Temperature Control**
Adjust fresh food compartment temperature. The fresh food temperature is preset in the factory at **37°F (2.8°C)**. Allow 24 hours for temperature to stabilize to the preset recommended setting.
- Filter Status**
Press the **Filter Status** pad to display the water filter's life percentage (%).
- Turbo Cool**
To set the **TurboCool™**, press the **Turbo Cool** pad for 3 seconds. The display will show **tc**. **TurboCool™** rapidly cools the refrigerator compartment in order to more quickly cool foods. Use **TurboCool™** when adding a large amount of the food to the refrigerator compartment, putting away foods after they have been

sitting out at room temperature, or when putting away warm leftovers. It can also be used if the refrigerator has been without power for an extended period.

NOTE: The refrigerator temperature cannot be changed during **TurboCool™**. The freezer temperature is not affected during **TurboCool™**. When opening the refrigerator door during **TurboCool™**, the fans will continue to run if they have cycled on.

- Door Alarm**
To set the alarm, press the **Door Alarm** pad. This alarm will sound if either door is open for more than 2 minutes. The beeping stops when you close the door.

NOTE: To put the refrigerator control in the **OFF** position, simultaneously touch the words **Freezer** and **Fridge** for 3 seconds. Power to the refrigerator cannot be disconnected by any setting on the control panel.

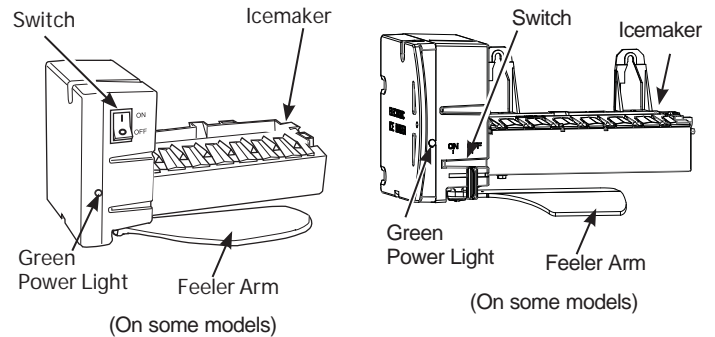
Changing °F to °C or °C to °F: Press and hold the "DOOR ALARM" and "FREEZER" buttons simultaneously for 5 seconds to set °C to °F or °F to °C.

REFRIGERATOR USE

SABBATH MODE

Activate Sabbath Mode to turn off the temperature control and advanced features (ex. door alarm). Depending on the model, the interior lights will be off, or on low brightness regardless of whether the door is open or closed. The compressor will run on a timed defrost when in Sabbath mode.

- Depending on the model, press and hold the **Alarm** and **Water Filter** or the **Alarm** and **Filter Status** simultaneously for 5 seconds to enter and exit the Sabbath mode.
- The icemaker must be turned off manually during Sabbath mode. To turn off the icemaker, set the switch to the OFF position. To turn the icemaker on, set the switch to the ON position.

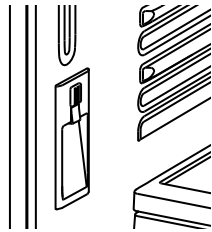


INTERNAL WATER DISPENSER

The water dispenser is located on the left wall inside the refrigerator compartment.

To dispense water:

1. Hold the glass against the recess.
2. Push the water dispenser button.
3. Hold the glass underneath the dispenser for 2–3 seconds after releasing the dispenser button. Water may continue to dispense after the button is released.



If no water is dispensed when the refrigerator is first installed, there may be air in the water line system. Press the dispenser button for at least 5 minutes to remove trapped air from the water line and to fill the water system. During this process, the dispenser noise may be loud as the air is purged from the water line system. To flush out impurities in the water line, throw away the first 6 glassfuls of water.

NOTE: To avoid water deposits, the dispenser should be cleaned periodically by wiping with a clean cloth or sponge.

WATER FILTER CARTRIDGE - XWFE

The water filter cartridge holder is located in the back upper-right corner of the fresh food refrigerator compartment.

Select models use radio frequency identification (RFID) to detect leaks and monitor filter status. The RFID technology is certified by the FCC.

Contains FCC ID: ZKJ-294D2018 IC: 10229A-294D2018

"This device complies with part 15 of the FCC Rules. Operation is subject to the following two conditions:

(1) This device may not cause harmful interference, and (2) this device must accept any interference received, including interference that may cause undesired operation."

"This device complies with Industry Canada licence-exempt RSS standard(s). Operation is subject to the following two conditions:

(1) this device may not cause interference, and (2) this device must accept any interference, including interference that may cause undesired operation of the device."

WHEN TO REPLACE THE FILTER

If there is a replacement indicator light for the water filter cartridge on the dispenser, the red filter light will start blinking to tell you that you need to replace the filter soon.

- The filter light will blink while the door is open until the filter is replaced.

The filter cartridge should be replaced every six months, or earlier if the flow of water to the dispenser or icemaker decreases.

REMOVING THE FILTER

If you are replacing the filter, first remove the previous one:

1. Open the filter cartridge housing by squeezing the 2 front tabs and gently pulling down.
2. Rotate the filter down.
3. Gently grasp the filter and slowly turn it counterclockwise about a ¼ turn. The filter should automatically release itself when you have rotated it far enough to the left. A small amount of water may drip down.

⚠ CAUTION

If air has been trapped in the system, the filter cartridge may be ejected as it is removed. Use caution when removing.

REFRIGERATOR USE

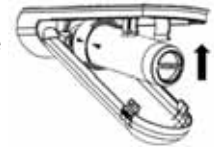
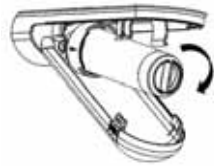
WATER FILTER CARTRIDGE - XWFE (Cont.)

FILTER BYPASS PLUG

To reduce the risk of property damage due to water leakage, you **MUST** use the filter bypass plug when a replacement filter cartridge is not available. Some models do not come equipped with the filter bypass plug. To obtain a free bypass plug, visit HaierAppliances.com. In Canada, visit HaierAppliances.ca. The dispenser and icemaker will not operate without either the filter or bypass plug installed. The bypass plug is installed in the same way as a filter cartridge

INSTALLING THE FILTER IN A BOTTOM FREEZER REFRIGERATOR

1. Open the filter cartridge housing by squeezing the 2 front tabs and gently pulling down.
2. Line up the ports on the filter with the ports on the filter cartridge holder, and gently insert the filter.
3. Slowly turn the filter to the right until it stops. **DO NOT OVERTIGHTEN**. As you turn the filter, it will automatically adjust itself into position. The filter will move about a ¼ turn or 90 degrees, until the arrow on the filter aligns with the arrow on the filter cartridge holder.
4. Slowly push the filter up into the clips.
5. Close the filter cartridge housing by gently pushing the lid upwards until the tabs lock into place.



6. **For dispenser-only models** - Run water from the dispenser for 2 gallons (7.6 liters) or approximately 5 minutes to clear the system. Water may spurt out and air bubbles may be visible during this process. If water is not flowing, check to make sure the filter has been fully rotated to the right.

For icemaker-only models - Discard the first bin of ice to allow air to purge from the system. A newly installed filter cartridge will cause water to spurt into the icemaker body, which could lead to ice droplets around the icemaker area. **NOTE:** It is normal for these droplets and initial ice production to appear discolored during the initial system flush. Ice color will return to normal after the first bin of ice production.

7. Press and hold the **RESET WATER FILTER** button on the dispenser for 3 seconds. On select models, filter reset will be automatic when a new filter is installed.

Application Guidelines/Water Supply

Service Flow	0.5 gpm (1.89 lpm)
Water Supply	Potable Water
Water Pressure	25-120 psi (172-827 kPa)
Water Temperature	33°F-100°F (0.6°C-38°C)
Capacity	170 gallons (643.5 liters)

Sign-up for **TEXT REMINDERS** by texting **REPLACE** to **70543**.

⚠ WARNING To reduce the risk associated with choking, do not allow children under 3 years of age to have access to small parts during the installation of this product. The disposable filter cartridge should be replaced every 6 months at the rated capacity, or sooner if a noticeable reduction in flow rate occurs.

For the maximum benefit of your filtration system, Haier recommends the use of GE Appliances-branded filters only. Using GE Appliances-branded filters in Haier refrigerators provides optimal performance and reliability. GE Appliances filters meet rigorous industry standards for safety and quality that are important for products that are filtering your water. Haier has not qualified non-GE Appliances-branded filters for use in Haier refrigerators and there is no assurance that non-GE Appliances-branded filters meet Haier standards for quality, performance and reliability.

If you have questions, or to order additional filter cartridges, visit our website at HaierParts.com. (In Canada, visit HaierParts.ca.)

REFRIGERATOR USE

SHELVES AND BINS

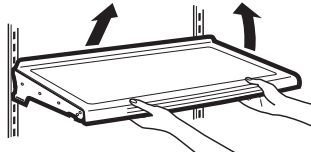
Not all features are on all models.

REARRANGING THE REFRIGERATOR SHELVES

Shelves in the refrigerator compartment are adjustable.

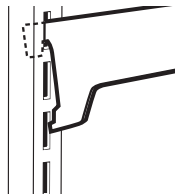
To remove the shelves:

1. Remove all items from the shelf.
2. Tilt the shelf up at the front.
3. Lift the shelf up at the back and bring the shelf out.



To replace the shelves:

1. While tilting the shelf up, insert the top hook at the back of the shelf in a slot on the track.
2. Lower the front of the shelf until the bottom of the shelf locks into place.

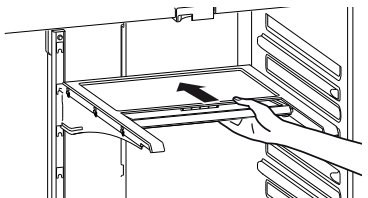
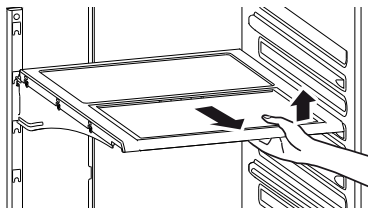


QUICK SPACE SHELF

This shelf splits in half and slides under itself for storage of tall items on the shelf below.

This shelf can be removed and replaced or relocated.

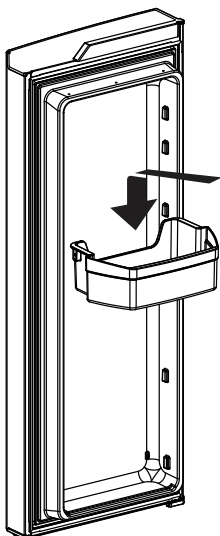
NOTE: The back half of the Quick Space Shelf is not adjustable.



ADJUSTABLE DOOR BINS

To remove: Lift the bin straight up; then pull out.

To replace: Engage the bin in the molded supports on the door and push down to lock in place.



PANS

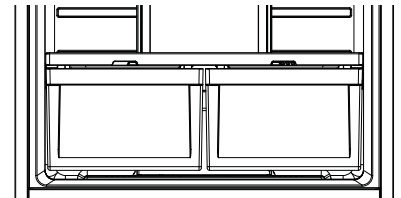
Not all features are on all models.

CLIMATE ZONE PANS

Keep fruits and vegetables organized in separate compartments for easy access. Excess water that may accumulate in the bottom of the drawers or under the drawers should be wiped dry.

To remove pan:

1. Slide the pan out to the stop position, lift the pan up and past the stop position and pull forward.



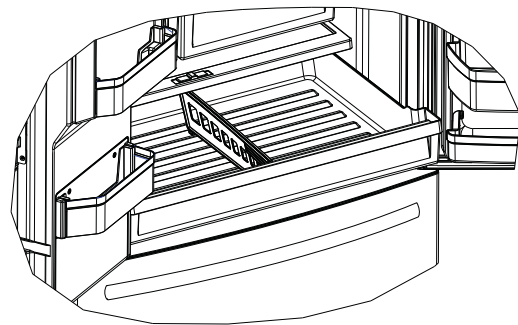
FULL -WIDTH PAN

To remove pan:

1. Pull the pan out to the stop position.
2. Lift the front of the drawer up and out.

To replace pan:

1. Place back of the drawer in first and rotate drawer front down to seat it on the slides.
2. Push the drawer in to the closed position.



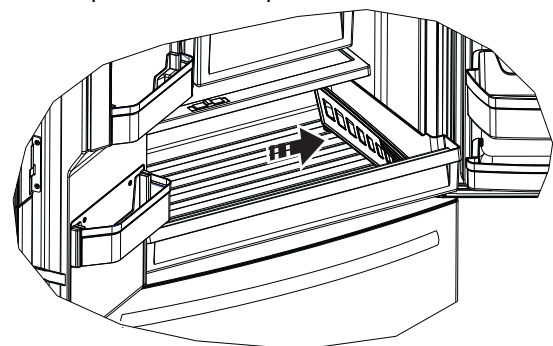
HOW TO REMOVE AND REPLACE DRAWER DIVIDER

To remove pan:

1. Pull the drawer out to the stop position.
2. Slide pan divider to right to release it from pan.

To replace:

Reverse steps 1 and 2 to replace drawer divider.

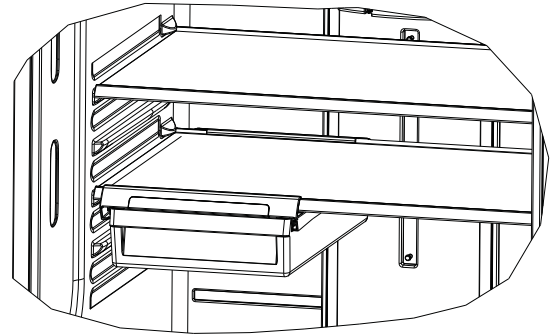


REFRIGERATOR USE

FLOATING SNACK PAN

This pan can be moved to the most useful location for your family's needs.

To remove, slide the pan out to the stop position, lift the pan up and past the stop position and lift it out.



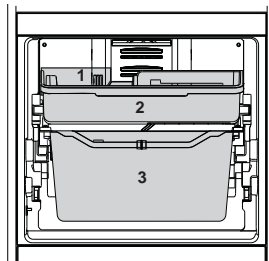
FREEZER DRAWER

Not all features are on all models.

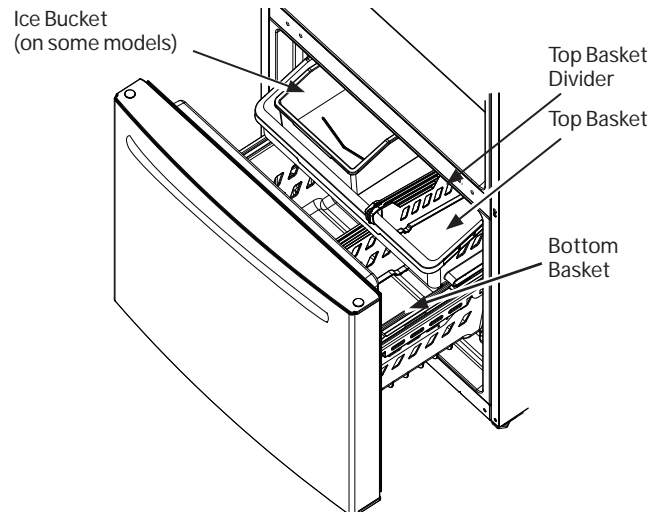
FREEZER BASKETS

1. An ice bucket in the top basket (on some models).
2. A top full-width basket.
3. A bottom full-width basket (with divider - in some models).

NOTE: Do not fill baskets higher than the rim of the basket. This may cause baskets to stick or jam when opening or closing.



Appearance and features may vary



TOP BASKET REMOVAL

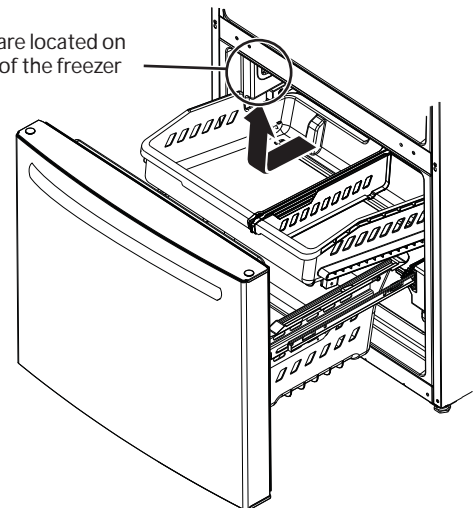
To remove the top full-width basket on freezer drawer models:

1. Pull the basket out to the stop location.
2. Lift basket up to release it from the slides.

When replacing the basket, make sure that the basket remains mounted on the side rails and over the slides of the bottom basket.

NOTE: Always be sure to fully close this basket.

LED lights are located on both sides of the freezer



REFRIGERATOR USE

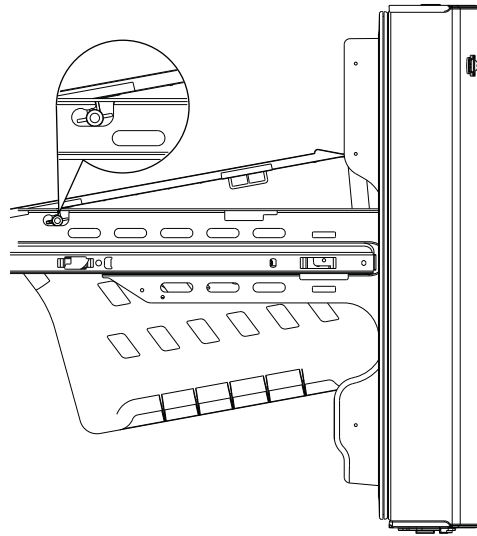
BOTTOM BASKET REMOVAL

To remove the bottom full-width basket on freezer drawer models:

1. Open the bottom freezer drawer until it stops.
2. Remove the top freezer basket.
3. The bottom freezer basket rests on the inside tabs on the drawer slides.
4. Lift the front of the basket and pull forward.
5. Release the pin from the slot to remove the basket.

When replacing the bottom full-width basket, tilt the basket back and lower it into the drawer. Rotate the basket to a horizontal position and press down. Make sure to place the pin back into the slot.

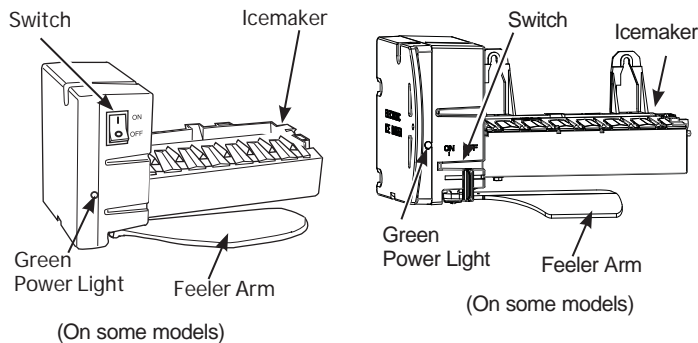
NOTE: Always be sure that the basket is seated on the bracket tabs before sliding the drawer back into the freezer.



AUTOMATIC ICEMAKER

A newly installed refrigerator may take 12 to 24 hours to begin making ice.

The icemaker will produce seven cubes per cycle approximately 100–130 cubes in a 24-hour period, depending on freezer compartment temperature, room temperature, number of door openings and other use conditions.



If the refrigerator is operated before the water connection is made to the icemaker, set the switch in the OFF position.

When the refrigerator has been connected to the water supply, set the switch to the ON position.

The icemaker will fill with water when it cools to 15°F (-10°C). A newly installed refrigerator may take 12 to 24 hours to begin making ice cubes.

You may hear a buzzing sound each time the icemaker fills with water.

Throw away the first few batches of ice to allow the water line to clear.

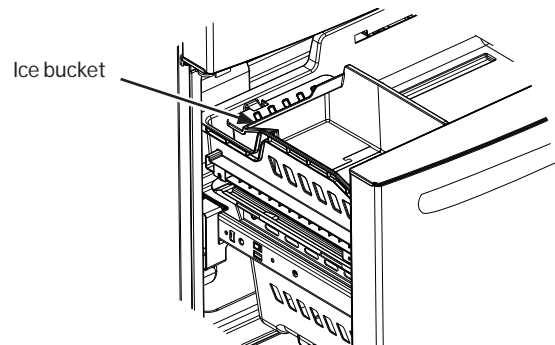
Be sure nothing interferes with the sweep of the feeler arm. When the bin fills to the level of the feeler arm, the icemaker will stop producing ice. It is normal for several cubes to be joined together.

If ice is not used frequently, old ice cubes will become cloudy, taste stale and shrink.

NOTE: In homes with lower-than-average water pressure, you may hear the icemaker cycle multiple times when making one batch of ice.

CAUTION To minimize the risk of personal injury, avoid contact with the moving parts of the ejector mechanism, or with the heating element that releases the cubes. Do not place fingers or hands on the automatic ice making mechanism while the refrigerator is plugged in.

There is ice storage in the freezer compartment located on the left side of the upper basket. Pull the upper basket forward to remove the ice bucket.



REFRIGERATOR CARE

FINGERPRINT RESISTANT STAINLESS STEEL*, BLACK STAINLESS, SLATE, DARK SLATE, PAINTED - Outside surfaces, door handles, and trim

⚠ DO NOT use Stainless Steel cleaners on the door surfaces. ⚠

IMPORTANT: The use of incorrect products may damage the outer finish of Fingerprint Resistant Stainless and Black Stainless models. Please follow these instructions and use only the appropriate items below to clean your appliance surfaces.

- Clean interior/exterior surfaces with warm water, mild soap or detergent, and a soft or microfiber cloth to avoid damage.
- Wipe the appliance surface dry with a soft clean cloth or microfiber towel to avoid streaking or water spotting.

DO USE	DO NOT USE	
Soft, clean cloth or sponge Microfiber cloth	Abrasive cloths, paper towels, scrubbing sponges (with or without soap), scouring or steel wool pads	
Mild detergent mixed with warm water	Abrasive powders, liquids, or sprays Window sprays, ammonia, or bleach Citrus or plant oil-based cleaners Acidic or vinegar-based cleaners	Oven cleaners Alkaline cleaners Stainless steel cleaners

*Easily wipe away smudges and fingerprints.

STAINLESS STEEL - Outside surfaces, door handles, and trim

NOTE: DO NOT allow stainless steel cleaner to come in contact with any plastic parts such as trim pieces, handle hardware and liners. If unintentional contact of cleaners with plastic parts does occur, clean plastic part with a sponge and mild detergent mixed with warm water.

DO USE	DO NOT USE
Soft, clean cloth or sponge	Abrasive cloths, scrubbing sponges (with or without soap), scouring or steel wool pads
Mild detergent mixed with warm water Approved stainless steel cleaners; Visit the Haier Appliances parts store for approved stainless steel cleaners: Haierappliances.com . or call 877.337.3639 . Cleaners with oxalic acid such as Bar Keepers Friend Soft Cleanser™ can be used to remove surface rust, tarnish and small blemishes on stainless steel surfaces only.	Abrasive powders or sprays Window Sprays or Ammonia Citrus or plant oil-based cleaners Acidic or vinegar-based cleaners Oven cleaners Cleaners containing acetone (propanone) Any cleaner with WARNING about plastic contact

REFRIGERATOR CARE

CLEANING THE INSIDE

Unplug the refrigerator before cleaning.

If this is not practical, wring excess moisture out of sponge or cloth when cleaning around switches, lights or controls.

Use an appliance wax polish on the inside surface between the doors.

CAUTION Do not clean glass shelves or covers with warm water when they are cold. Glass shelves and covers may break if exposed to sudden temperature changes or impact such as bumping or dropping. Tempered glass is designed to shatter into many small pieces if it breaks.

Use warm water and baking soda solution—about a tablespoon (15 ml) of baking soda to a quart (1 liter) of water. This both cleans and neutralizes odors. Rinse and wipe dry.

BEHIND THE REFRIGERATOR

Be careful when moving the refrigerator away from the wall. All types of floor coverings can be damaged, particularly cushioned coverings and those with embossed surfaces.

Raise the leveling legs located at the bottom front of the refrigerator.

Pull the refrigerator straight out and return it to position by pushing it straight in. Moving the refrigerator in a side direction may result in damage to the floor covering or refrigerator.

Lower the leveling legs until they touch the floor.

When pushing the refrigerator back, make sure you don't roll over the power cord or water supply line.

PREPARING FOR VACATION

For long vacations or absences, remove food and unplug the refrigerator. Clean the interior with a baking soda solution of one tablespoon (15 ml) of baking soda to one quart (1 liter) of water. Leave the doors open.

If the temperature can drop below freezing, have a qualified service technician drain the water supply system to prevent serious property damage due to flooding.

- 1) Unplug the refrigerator.
- 2) Empty ice bucket
- 3) Turn water supply off

If you cut the water supply off, turn off the icemaker (pg. 23).

Upon returning from vacation, replace the water filter.

PREPARING TO MOVE

Secure all loose items such as shelves and drawers by taping them securely in place to prevent damage.

When using a hand truck to move the refrigerator, do not rest the front or back of the refrigerator against the hand truck. This could damage the refrigerator.

Handle only from the sides of the refrigerator.

Be sure the refrigerator stays in an upright position during moving.

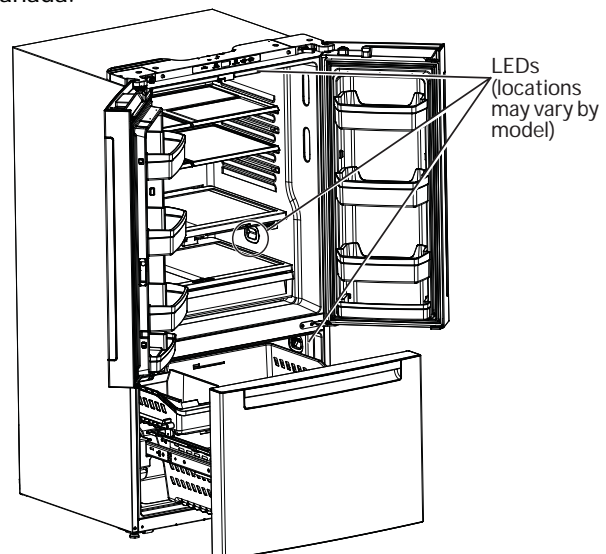
REPLACING THE LIGHTS

There is LED lighting in the fresh food compartment at the top center and on the left and right sides above the climate zone pans on the french door models.

LED lights are also located at the top of the left and right sides of the freezer.

An authorized technician will need to replace the LED light.

If this assembly needs to be replaced, call service at 877.337.3639 in the United States or 877.470.9174 in Canada.



TROUBLESHOOTING

First try the solutions suggested here to possibly avoid the cost of a service call.

PROBLEM	POSSIBLE CAUSE(S)	SOLUTION
Filter Status Indicator LED turns amber	Filter reaching expired state	Press the Filter Status pad to show remaining filter life.
Filter Status Indicator LED turns red	Filter expired	Press the Filter Status pad to show remaining filter life. If the display shows 0%, the filter needs to be replaced. When the unit has detected a new filter (a filter has been replaced) the Filter Status LED will flash 3 times and then remain off to indicate the filter was successfully replaced.
LEAK or scrolling "LEAK" on the display Water is disabled Filter Status indicator LED flashing red Buzzer sound	Filter leak detected	Replace filter. Wipe off the filter/surrounding area if there is any water from filter replacement.
"Err" on the display Water is disabled Filter Status indicator LED flashing red Buzzer sound	Filter is not detected No communication with filter	Verify you have the XWFE filter and not the XWF. Verify there are no scratches or filter label damage. Replace filter if filter label shows damage.
Refrigerator beeps when pressing dispenser paddle	Filter is not properly installed Filter water leak	Replace filter or make sure the water filter is properly installed (see water filter section).
Refrigerator does not operate	Refrigerator in defrost cycle.	Wait about 30 minutes for defrost cycle to end.
	Controls set to OFF.	Set the controls to a lower temperature setting.
	Refrigerator is unplugged.	Push the plug completely into the outlet.
	The fuse is blown/circuit breaker is tripped.	Replace fuse or reset the breaker.
	Refrigerator is in showroom mode.	Unplug the refrigerator and plug it back in.
Vibration or rattling (slight vibration is normal)	Leveling legs need adjusting.	See Level the Refrigerator.
Motor operates for long periods or cycles on and off frequently. (Modern refrigerators with more storage space and a larger freezer require more operating time. They start and stop often to maintain even temperatures.)	Normal when refrigerator is first plugged in.	Wait 24 hours for the refrigerator to completely cool down.
	Often occurs when large amounts of food are placed in refrigerator.	This is normal.
	Door left open.	Check to see if package is holding door open.
	Hot weather or frequent door openings.	This is normal.
	Temperature controls set at the coldest setting.	See Controls section
Refrigerator or freezer compartment too warm	Temperature control not set cold enough.	See Controls section
	Warm weather or frequent door openings.	Set the temperature control one step colder. See Controls section
	Door left open.	Check to see if package is holding door open.
Frost or ice crystals on frozen food (frost within package is normal)	Door left open.	Check to see if package is holding door open.
	Too frequent or too long door openings.	This is normal.
Divider between refrigerator and freezer compartments feels warm	Automatic energy saver system circulates warm liquid around front edge of freezer compartment.	This helps prevent condensation on the outside.
Automatic icemaker does not work	Icemaker switch is in the OFF position.	Set the switch to the ON position.
	Water supply turned off or not connected.	See Installing the Water Line section
	Freezer compartment too warm.	Wait 24 hours for the refrigerator to completely cool down.
	Piled up cubes in the storage bin cause the icemaker to shut off.	Level cubes by hand.
	Ice cubes stuck in icemaker.	Turn off the icemaker, remove cubes, and turn the icemaker back on.
	Filter is not properly installed Filter water leak	Replace filter or make sure the water filter is properly installed (see water filter section).

TROUBLESHOOTING

First try the solutions suggested here to possibly avoid the cost of a service call.

PROBLEM	POSSIBLE CAUSE(S)	SOLUTION
Ice cubes have odor/taste	Ice storage bin needs cleaning.	Empty and wash bin. Discard old cubes.
	Food transmitting odor/taste to ice cubes.	Wrap foods well.
	Interior of refrigerator needs cleaning.	See Care and Cleaning section.
Small or hollow cubes	Water filter clogged.	Replace filter cartridge with new cartridge or with plug.
Slow ice cube freezing	Door left open.	Check to see if package is holding door open.
	Temperature control not set cold enough.	See Controls section
Frequent 'buzzing sound"	Icemaker switch is in the ON position, but the water supply to the refrigerator has not been connected.	Set the switch to the OFF position. Keeping it in the on position will damage the water valve.
Orange glow in the freezer	Defrost heater is on.	This is normal.
Water has poor taste/odor	Water dispenser has not been used for a long time.	Dispense water until all water in system is replenished.
Water in first glass is warm	Normal when refrigerator is first installed.	Wait 24 hours for the refrigerator to completely cool down.
	Water dispenser has not been used for a long time.	Dispense water until all water in system is replenished.
	Water system has been drained.	Allow several hours for replenished supply to chill.
Water dispenser does not work	Water supply line turned off or not connected.	See Installing the Water Line section
	Water filter clogged.	Replace filter cartridge or remove filter and install plug.
	Air may be trapped in the water system.	Press the dispenser arm for at least two minutes.
Water spurting from dispenser	Newly-installed filter cartridge.	Run water from the dispenser for 3 minutes (about one and a half gallons).
Water is not dispensed but icemaker is working	Water in reservoir is frozen.	Call for service.
	Refrigerator control setting is too cold.	Set to a warmer setting.
No water or ice cube production	Supply line or shutoff valve is clogged.	Call a plumber.
	Water filter clogged.	Replace filter cartridge or remove filter and install plug.
	Filter is not properly installed. Filter water leak	Replace filter or make sure the water filter is properly installed (refer to water filter section).
Refrigerator has odor	Foods transmitting odor to refrigerator.	Foods with strong odors should be tightly wrapped. Keep an open box of baking soda in the refrigerator; replace every three months.
	Interior needs cleaning.	See Care and Cleaning section
Moisture forms on outside of refrigerator	Not unusual during periods of high humidity.	Wipe surface dry.
Moisture collects inside (in humid weather, air carries moisture into refrigerator when doors are opened)	Too frequent or too long door openings.	This is normal.
	Due to the higher humidity in the refrigerator, you may on occasion experience fog or small amounts of moisture in the refrigerator compartment.	This is normal and may come and go as different food loads and environmental conditions change. Wipe dry with a paper towel if desired.
Interior light does not work	No power at outlet.	Replace fuse or reset the breaker.
	LED lights are out	Call Service - see Replacing the Lights
Hot air from bottom of refrigerator	Normal air flow cooling motor. In the refrigeration process, it is normal that heat be expelled in the area under the refrigerator. Some floor coverings are sensitive and will discolor at these normal and safe temperatures.	This is normal.
Refrigerator never shuts off but the temperatures are OK	Adaptive defrost keeps compressor running during door openings.	This is normal. The refrigerator will cycle off after the door remains closed for 2 hours.

TROUBLESHOOTING

First try the solutions suggested here to possibly avoid the cost of a service call.

PROBLEM	POSSIBLE CAUSE(S)	SOLUTION
Refrigerator is beeping	Door is open.	Close door.
Door not closing properly	Door gasket on hinge side sticking or folding over.	Apply paraffin wax to the face of the gasket.
Actual temperature not equal to Set temperature	Unit just plugged in.	Allow 24 hours for system to stabilize.
	Door open for too long.	Allow 24 hours for system to stabilize.
	Warm food added to refrigerator.	Allow 24 hours for system to stabilize.
	Defrost cycle is in process.	Allow 24 hours for system to stabilize.
Drawer does not close by itself	Leveling legs need adjusting.	See Level the Refrigerator
Freezer drawer pops open when refrigerator door is closed	This is normal if, after popping open, the freezer drawer closed on its own.	This indicates that there is a good seal on the freezer drawer. If the freezer drawer does not automatically close after popping open, then see the Problem: Drawer does not close by itself, above.
Food freezing in the refrigerator	Food too close to the air vent at the back of the refrigerator.	Move the food away from the air vent.
	Refrigerator control is set too cold.	Move the refrigerator control to a warmer temperature setting one increment at a time.
Water is leaking from dispenser	Glass not being held under the dispenser long enough after button is released.	Hold the glass underneath the dispenser for 2–3 seconds after releasing the dispenser button. Water may continue to dispense after the button is released
	Air may be present in the water line system, causing water to drip after being dispensed.	Dispense water for at least 2 minutes to remove air from system.
My display is showing tc	Turbo Cool function is activated.	See Controls section
Water filter indicator light changed color	This is normal.	See Water Filter Cartridge - XWFE section
Water filter indicator light remains red even after replacing the water filter	Improperly installed filter Leak is detected Using expired filter	Verify you have the XWFE filter and not XWF. Verify no scratches or damage to filter label. Replace filter if label shows damage. See Water Filter Cartridge - XWFE section
Water filter indicator light is not lit	This is normal. The filter cartridge should be replaced when the replacement indicator light turns red.	See Water Filter Cartridge - XWFE section
Refrigerator doors are not even	Doors need realigning.	See Level the Refrigerator Doors section.
Baskets stick or jam when opening or closing	Baskets are too full.	To open: remove some of the products from the basket when opened as far as possible. Readjust the products left in the basket and try to open the basket again. To close: readjust products in the basket or remove any product that is above the rim of the basket and close the basket.

TROUBLESHOOTING

NORMAL OPERATING CONDITIONS

Newer refrigerators sound different from older refrigerators. Modern refrigerators have more features and use newer technology.

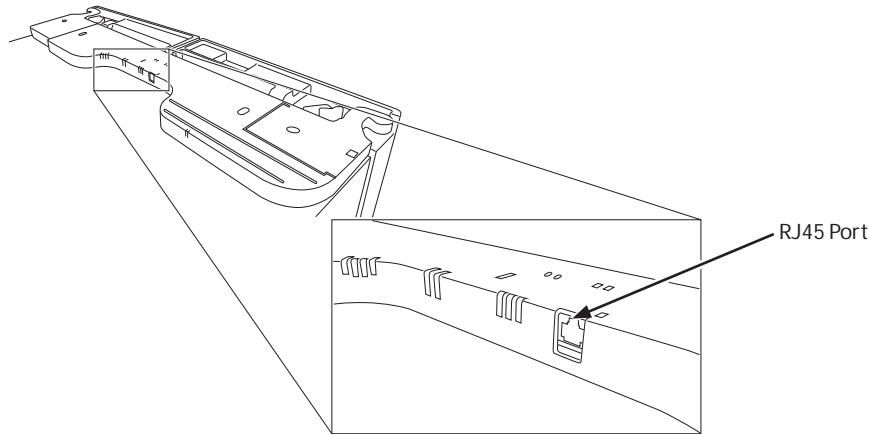
- The new high efficiency compressor may run faster and longer than your old refrigerator and you may hear a high-pitched hum or pulsating sound while it is operating.
- You may hear a whooshing sound when the doors close. This is due to pressure equalizing within the refrigerator.
- You may hear the fans spinning at high speeds. This happens when the refrigerator is first plugged in, when the doors are opened frequently or when a large amount of food is added to the refrigerator or freezer compartments. The fans are helping to maintain the correct temperatures.
- The fans change speeds in order to provide optimal cooling and energy savings.
- You may hear cracking or popping sounds when the refrigerator is first plugged in. This happens as the refrigerator cools to the correct temperature.
- Expansion and contraction of cooling coils during and after defrost can cause a cracking or popping sound.
- On models with an icemaker, after an ice making cycle, you may hear the ice cubes dropping into the ice bucket.
- On models with a dispenser, during water dispense, you may hear the water lines move at initial dispense and after dispenser button is released.
- The flow of refrigerant through the cooling coils may make a gurgling noise like boiling water.
- Water dropping on the defrost heater can cause a sizzling, popping or buzzing sound during the defrost cycle.
- A water dripping noise may occur during the defrost cycle as ice melts from the evaporator and flows into the drain pan.
- Closing the door may cause a gurgling sound due to pressure equalization.

APPLIANCE COMMUNICATION (on some models)

GE WiFi Connect Optional *

Your refrigerator is **GE WiFi Connect** compatible using the **GE ConnectPlus** module. To connect this appliance to the internet you will need to attach the module to your appliance through the communication port in the appliance. The **GE ConnectPlus** will allow your appliance to communicate with your smart phone for remote appliance monitoring, control and notifications. Please visit GEAppliances.com/connect to learn more about connected appliance features, to learn what connected appliance App's will work with your Smart Phone and to learn where you can purchase a **GE ConnectPlus**.**

Plug the ConnectPlus module into the RJ45 port located on the backside of the top refrigerator control cover. No need to remove the cover.



WiFi Connectivity: For assistance with the appliance or the **ConnectPlus** network connectivity (for models that are WiFi enabled or WiFi optional), please visit Haierappliances.com/connect.

REGULATORY INFORMATION

FCC/IC Compliance Statement:

This device complies with Part 15 of the FCC Rules. This device contains license-exempt transmitter(s)/receiver(s) that comply with Innovation, Science and Economic Development, Canada's license-exempt RSS(s). Operation is subject to the following two conditions:

1. This device may not cause harmful interference.
2. This device must accept any interference received, including interference that may cause undesired operation.

This equipment has been tested and found to comply with the limits for a Class B digital device, pursuant to Part 15 of the FCC Rules. These limits are designed to provide reasonable protection against harmful interference in a residential installation. This equipment generates uses and can radiate radio frequency energy and, if not installed and used in accordance with the instructions, may cause harmful interference to radio communications. However, there is no guarantee that interference will not occur in a particular installation. If this equipment does cause harmful interference to radio or television reception, which can be determined by turning the equipment off and on, the user is encouraged to try to correct the interference by one or more of the following measures:

- Reorient or relocate the receiving antenna.
- Increase the separation between the equipment and receiver.
- Connect the equipment into an outlet on a circuit different from that to which the receiver is connected.
- Consult the dealer or an experienced radio/television technician for help.

Labelling: Changes or modifications to this unit not expressly approved by the manufacturer could void the user's authority to operate the equipment.

ConnectPlus module only (or similar communication module)

RF Exposure - This device is only authorized for use in a mobile application. At least 20 cm of separation distance between the **ConnectPlus** device and the user's body must be maintained at all times.

XWFE WATER FILTER CARTRIDGE LIMITED WARRANTY

Contact us at HaierParts.com, or call 877.337.3639.

For the period of	Haier will replace
Thirty Days From the date of the original purchase	Any part of the water filter cartridge which fails due to a defect in materials or workmanship during this limited thirty-day warranty .*

What Haier will not cover:

- Service trips to your home to teach you how to use the product.
- Improper installation.
- Failure of the product if it is abused, misused, used for other than the intended purpose or used commercially.
- Replacement of house fuses or resetting of circuit breakers.
- Damage to the product caused by accident, fire, floods, or acts of God.
- Incidental or consequential damage caused by possible defects with this appliance.

EXCLUSION OF IMPLIED WARRANTIES

Your sole and exclusive remedy is part exchange as provided in this Limited Warranty. Any implied warranties, including the implied warranties of merchantability or fitness for a particular purpose, are limited to six months or the shortest period allowed by law.

This warranty is extended to the original purchaser and any succeeding owner for products purchased for home use within the USA. In Alaska, the warranty excludes the cost of shipping or service calls to your home.

Some states do not allow the exclusion or limitation of incidental or consequential damages. This warranty gives you specific legal rights, and you may also have other rights which vary from state to state. To know what your legal rights are, consult your local or state consumer affairs office or your state's Attorney General.

For Purchases Made In Iowa: This form must be signed and dated by the buyer and seller prior to the consummation of this sale.

This form should be retained on file by the seller for a minimum of two years.

Buyer:

Name _____
 Address _____
 City _____ State _____ Zip _____
 Signature _____ Date _____

Seller:

Name _____
 Address _____
 City _____ State _____ Zip _____
 Signature _____ Date _____

*If your Haier part fails because of a manufacturing defect within thirty days from the date of original purchase for use, we will give you a new or, at our option, a rebuilt part without charge. Return the defective part to the parts supplier from whom it was purchased together with a copy of the "proof of purchase" for the part. If the part is defective and shows no signs of abuse, it will be exchanged. The warranty does not cover the failure of parts which are damaged while in your possession, are abused, or have been installed improperly. It does not cover the cost of returning the part to the supplier from whom it was purchased nor does it cover the cost of labor to remove or install it to diagnose the fault. It does not cover parts used in products in commercial use except in the case of air conditioning equipment. In no event shall Haier be liable for consequential damages.

Warrantor: GE Appliances, a **Haier** company

Staple your receipt here. Proof of the original purchase date is needed to obtain service under the warranty.

PERFORMANCE DATA SHEET

MODEL: GE APPLIANCES XWFE WATER FILTER

- System certified by IAPMO R&T against NSF/ANSI Standards 42, 53, 401 for the reduction of claims specified on the performance data sheet and at iapmort.org.
- Actual performance may vary with local water conditions.

Substance Tested for Reduction	Influent challenge concentration (mg/L)	Maximum permissible product water concentration (mg/L)	Avg % Reduction
Chlorine Taste and Odor	2.0 mg/L +/- 10%	N/A	96.9
Chloramine Taste and Odor	3.0 mg/L +/- 10%	0.5	96.9
Particulate, Class I	At least 10,000/mL	N/A	91.4
Cysts	50,000/L	N/A	>99.99
Lead	0.15	0.01	98.85
Mercury	0.006	0.002	96.3
Asbestos	107 to 108 fibers/L	N/A	>99
Toxaphene	0.015 +/- 10%	0.003	86.95
VOC (Chloroform surrogate chemical)	0.300	0.015	99.7
Alachlor	0.050	0.001	> 98
Atrazine	0.100	0.003	> 97
Benzene	0.081	0.001	> 99
Carbofuran	0.190	0.001	> 99
carbon tetrachloride	0.078	0.0018	98
chlorobenzene	0.077	0.001	> 99
chloropicrin	0.015	0.0002	99
2,4-D	0.110	0.0017	98
dibromochloropropane (DBCP)	0.052	0.00002	> 99
o-Dichlorobenzene	0.08	0.001	> 99
p-Dichlorobenzene	0.040	0.001	> 98
1,2-dichloroethane	0.088	0.0048	95
1,1-dichloroethylene	0.083	0.001	> 99
cis-1,2-dichloroethylene	0.170	0.0005	> 99
trans-1,2-dichloroethylene	0.086	0.001	> 99
1,2-dichloropropane	0.080	0.001	> 99
cis-1,3-dichloropropylene	0.079	0.001	> 99
dinoseb	0.170	0.0002	99
Endrin	0.053	0.00059	99
Ethylbenzene	0.088	0.001	> 99
ethylene dibromide (EDB)	0.044	0.00002	> 99
bromochloroacetone nitrile	0.022	0.0005	98
dibromoacetone nitrile	0.024	0.0006	98
dichloroacetone nitrile	0.0096	0.0002	98
trichloroacetone nitrile	0.015	0.0003	98
1,1-dichloro-2-propanone	0.0072	0.0001	99
1,1,1-trichloro-2-propanone	0.0082	0.0003	96
heptachlor (H-34, Heptox)	0.025	0.00001	>99
heptachlor epoxide	0.0107	0.0002	98
hexachlorobutadiene	0.044	0.001	> 98
hexachlorocyclopentadiene	0.060	0.000002	> 99
Lindane	0.055	0.00001	> 99
methoxychlor	0.050	0.0001	> 99
pentachlorophenol	0.096	0.001	> 99
simazine	0.120	0.004	> 97
Styrene	0.150	0.0005	> 99
1,1,2,2-tetrachloroethane	0.081	0.001	> 99
Tetrachloroethylene	0.081	0.001	> 99
Toluene	0.078	0.001	> 99
2,4,5-TP (silvex)	0.270	0.0016	99
tribromoacetic acid	0.042	0.001	> 98
1,2,4-Trichlorobenzene	0.160	0.0005	> 99
1,1,1-trichloroethane	0.084	0.0046	95
1,1,2-trichloroethane	0.150	0.0005	> 99
trichloroethylene	0.180	0.0010	> 99
bromoform	0.300	0.015	95
bromodichloromethane	0.300	0.015	95
chlorodibromomethane	0.300	0.015	95
xylenes	0.070	0.001	>99
Meprobamate	400 +/- 20%	60	95.5
Atenolol	200 +/- 20%	30	95.9
Carbamazepine	1400 +/- 20%	200	98.6
DEET	1400 +/- 20%	200	98.6
Metolachlor	1400 +/- 20%	200	98.7
Trimethoprim	140 +/- 20%	20	96.1
Linuron	140 +/- 20%	20	96.6
TCEP	5000 +/- 20%	700	98.1
TCPP	5000 +/- 20%	700	98.1
Phenytoin	200 +/- 20%	30	96
Ibuprofen	400 +/- 20%	60	95.9
Naproxen	140 +/- 20%	20	96.5
Estrone	140 +/- 20%	20	97.1
Bisphenol A	2000 +/- 20%	300	99.1
Nonyl phenol	1400 +/- 20%	200	97.3

Application Guidelines/Water Supply Parameters

Service Flow	0.5 gpm (1.89 lpm)
Water Supply	Potable Water
Water Pressure	25-120 psi (172-827 kPa)
Water Temperature	33°F-100°F (0.6°C-38°C)
Capacity	170 gallons (643.5 liters)

It is essential that the manufacturer's recommended installation, maintenance and filter replacement requirements be carried out for the product to perform as advertised. See Installation Manual for Warranty information.

Note: While the testing was performed under standard laboratory conditions, actual performance may vary. Replacement Cartridge: XWFE. For estimated costs of replacement elements please call 877.337.3639 or visit our website at HaierParts.com

⚠ WARNING To reduce the risk associated with ingestion of contaminants:

- Do not use with water that is microbiologically unsafe or of unknown quality without adequate disinfection before and after the system. Systems certified for cyst reduction may be used on disinfected water that may contain filterable cysts.

NOTICE

To reduce the risk of water leakage or flooding, and to ensure optimal filter performance:

- Read and follow use instructions before installation and use of this system.
- Installation and use **MUST** comply with all state and local plumbing codes.
- Do not install if water pressure exceeds 120 psi (827 kPa). If your water pressure exceeds 80 psi (552 kPa), you **must** install a pressure-limiting valve. Contact a plumbing professional if you are uncertain how to check your water pressure.
- Do not install where water hammer conditions may occur. If water hammer conditions exist you **must** install a water hammer arrester. Contact a plumbing professional if you are uncertain how to check for this condition.
- Do not install on hot water supply lines. The maximum operating water temperature of this filter system is 100° F (38° C).
- Protect filter from freezing. Drain filter when temperatures drop below 33°F (0.6°C).
- Change the disposable filter cartridge every six months or sooner if you observe a noticeable reduction in water flow rate.
- Failure to replace the disposable filter cartridge at recommended intervals may lead to reduced filter performance and cracks in the filter housing, causing water leakage or flooding.
- This System has been tested according to NSF/ANSI 42, 53 and 401 for the reduction of the substances listed below. The concentration of the indicated substances in water entering the system was reduced to a concentration less than or equal to the permissible limit for water leaving the system, as specified in NSF/ANSI 42, 53 and 401.



XWFE System is certified by IAPMO R&T against NSF/ANSI Standards 42, 53, and 401 for the reduction of claims specified on the performance data sheet and at iapmort.org.

LIMITED WARRANTY

12 Months on Parts and Labor

For 12 months from the date of original retail purchase, GE Appliances will replace any part of the refrigerator that fails due to a defect in materials or workmanship. GE Appliances will choose, at its discretion, to replace or service the defective unit. Should GE Appliances decide to service the unit, GE Appliances will provide any part which fails due to a defect in materials or workmanship free of charge, along with any labor and related service costs to replace the defective part. During this period, should GE Appliances choose to replace the unit, it may do so by providing you with a certificate redeemable at a retailer for a replacement product.

Product must be accessible, without encumbrance and installed properly to receive warranty repair service.

NOTE: This warranty commences on the date the item was purchased, and the original purchase receipt must be presented to the authorized service representative before warranty repairs are rendered.

FOR WARRANTY SERVICE

For US Customers, all warranty service must be provided by our Factory Service Centers, or an authorized Customer Care technician. To schedule service, call 1.877.337.3639.

Please have serial number and model number available when calling for service.

In Canada, call 1.877.470.9174.

EXCLUSION OF IMPLIED WARRANTIES - Your sole and exclusive remedy is product repair as provided in this Limited Warranty. Any implied warranties, including the implied warranties of merchantability or fitness for a particular purpose, are limited to one year or the shortest period allowed by law.

For US Customers: This warranty is extended to the original purchaser and any succeeding owner for products purchased for home use within the USA. If the product is located in an area where service by a GE Appliances Authorized Servicer is not available, you may be responsible for a trip charge or you may be required to bring the product to an Authorized GE Appliances Service location for service. In Alaska, the warranty excludes the cost of shipping or service calls to your home.

Some states do not allow the exclusion or limitation of incidental or consequential damages. This warranty gives you specific legal rights, and you may also have other rights which vary from state to state. To know what your legal rights are, consult your local or state consumer affairs office or your state's Attorney General.

Warrantor US:
GE Appliances, a Haier company
Louisville, KY 40225

For Customers in Canada: This warranty is extended to the original purchaser and any succeeding owner for products purchased in Canada for home use within Canada. In-home warranty service will be provided in areas where it is available and deemed reasonable by Mabe to provide.

Warrantor Canada:
MC Commercial, Inc., Burlington, Ontario, L7R 5B6

What is not covered by this warranty:

Service trips to your home to teach you how to use the product.

Improper installation, delivery or maintenance.

Failure of the product if it is abused, misused, or used for other than the intended purpose or used commercially.

Loss of food due to spoilage.

Damage caused after delivery.

Replacement of house fuses or resetting of circuit breakers.

Replacement of the light bulbs.

Damage to the product caused by accident, fire, floods or acts of God.

Incidental or consequential damage caused by possible defects with this appliance.

Product not accessible to provide required service.

Associated costs when GE Appliances chooses to issue the consumer a certificate as a form of product replacement.

TABLE DES MATIÈRES

DOCUMENTS À CONSERVER	33
SÉCURITÉ DU RÉFRIGÉRATEUR.	34
Mise au rebut de votre ancien réfrigérateur	35
PIÈCES ET CARACTÉRISTIQUES.	36
EXIGENCES D'INSTALLATION	37
Emplacement du réfrigérateur	36
Dégagements	36
INSTRUCTIONS D'INSTALLATION.	37
Préparation avant installation du réfrigérateur	37
Dimensions de l'électroménager	38
Installation de la conduite d'eau avant de commencer	39
Installation du réfrigérateur	41
Compléter l'installation	46
UTILISATION DU RÉFRIGÉRATEUR	47
Commandes	47
Modes Sabbath	48
Distributeur d'eau intérieur	48
Filtre à eau XWFE	48
Tablettes et balconnets	50
Bacs	50
Tiroir du congélateur	51
Machine à glaçons automatique	52
ENTRETIEN DU RÉFRIGÉRATEUR	53
Nettoyage	53
Vacances ou le déménagement	54
Remplacement des lampes	54
DÉPANNAGE	55
COMMUNICATIONS DES ÉLECTROMÉNAGERS	59
CARTOUCHE XWFE DU FILTRE À EAU	60
FICHE TECHNIQUE DE PERFORMANCE	61
GARANTIE LIMITÉE	62

DOCUMENTS À CONSERVER

Merci d'avoir acheté ce produit Haier. Ce manuel d'utilisation vous aidera à obtenir la meilleure performance possible de votre nouveau réfrigérateur.

Pour référence ultérieure, inscrire le numéro de plaque signalétique et la date d'achat. La plaque signalétique est située sur une étiquette à l'intérieur du réfrigérateur.

Pour faciliter l'obtention d'un service sous garantie, agraffer la preuve de la date d'achat à ce manuel.

Numéro de modèle

Numéro de série

Date d'achat

SÉCURITÉ DU RÉFRIGÉRATEUR

⚠ AVERTISSEMENT Pour réduire le risque d'incendie, d'explosion, de choc électrique ou de blessures lorsque vous utilisez votre réfrigérateur, veuillez suivre ces consignes de sécurité :

- Ce réfrigérateur doit être correctement installé conformément aux instructions d'installation avant toute utilisation.
- Débranchez le réfrigérateur avant d'effectuer une réparation ou de le nettoyer.
REMARQUE : L'alimentation du réfrigérateur ne peut être déconnectée par aucune des fonctions sur le panneau de commande.
REMARQUE : Les réparations doivent être effectuées par un professionnel qualifié.
- Remettez toutes les pièces et panneaux en place avant d'utiliser l'appareil.
- N'utilisez pas un cordon de rallonge.
- Abstenez-vous d'entreposer ou d'utiliser de l'essence ou d'autres vapeurs et liquides inflammables aux alentours de cet électroménager ou d'autres appareils.
- N'entreposez pas dans cet électroménager des substances explosives telles que des bombes aérosols qui contiennent un gaz propulseur.
- Afin de prévenir les risques d'asphyxie et d'enfermement des enfants, enlevez les portes des compartiments réfrigérateur et congélateur avant de mettre le réfrigérateur au rebut ou d'en cesser l'usage.
- Afin de prévenir les accidents graves ou la mort, les enfants ne doivent pas se tenir ni jouer dans ou sur l'électroménager.
- Les enfants et les personnes dont les capacités sont réduites sur le plan physique, sensoriel ou mental, ou qui manquent d'expérience ou de connaissances, peuvent utiliser cet électroménager seulement si elles sont surveillées ou ont reçues des consignes de sécurité sur son usage et les risques y sont associés.
- Cet électroménager est conçu pour une utilisation domestique et applications similaires : salle du personnel dans une usine, un bureau ou d'autres lieux de travail; maison de ferme; clients dans un hôtel, un motel, un gîte touristique et d'autres lieux résidentiels; approvisionnement et applications similaires non reliées au commerce de détail.
- Raccordez l'appareil à une alimentation d'eau potable seulement. Une alimentation d'eau froide est requise pour faire fonctionner la machine à glaçons et le pichet à remplissage automatique. La pression d'eau doit se situer entre 40 et 120 psi. (275 à 827 kPa).
- N'appliquez pas de nettoyants corrosifs sur le réfrigérateur. Certains nettoyants endommagent le plastique et peuvent ainsi causer le détachement inopiné de pièces telles que porte ou poignées de porte. Voyez la section Entretien et nettoyage pour des instructions détaillées.

⚠ ATTENTION Pour réduire le risque de blessures lorsque vous utilisez votre réfrigérateur, veuillez suivre ces consignes de sécurité.

- Ne nettoyez pas les tablettes ou les couvercles en verre avec de l'eau tiède quand ceux-ci sont froids. Les tablettes et couvercles en verre peuvent se casser s'ils sont exposés à des changements soudains de température ou si vous les cognez ou les faites tomber. Le verre trempé est conçu pour se briser en petits morceaux en cas de casse.
- Éloignez les doigts des parties du congélateur où l'on peut facilement se pincer : les espaces entre les portes, et entre les portes et les placards sont toujours étroits. Soyez prudent lorsque vous fermez les portes en présence d'enfants.
- Ne touchez pas les surfaces froides du congélateur lorsque vous avez les mains humides ou mouillées. La peau risque d'adhérer à ces surfaces extrêmement froides.
- Ne recongelez pas les aliments surgelés qui ont complètement dégelé.
- Si votre réfrigérateur est doté d'une machine à glaçons automatique, évitez le contact avec les pièces mobiles du mécanisme éjecteur, ou avec l'élément chauffant qui libère les glaçons. Ne posez pas les doigts ou les mains sur le mécanisme de la machine à glaçons automatique pendant que le réfrigérateur est branché.
- Utilisez un verre robuste qui résiste à la distribution de glace (sur les modèles avec distributeur de glace).

INSTALLATION

⚠ AVERTISSEMENT  **RISQUE D'EXPLOSION.**

Conservez les matériaux et vapeurs inflammables tels que l'essence à l'écart de votre réfrigérateur. Une explosion, un incendie voire la mort pourrait en résulter.

LIRE ET CONSERVER CES INSTRUCTIONS

SÉCURITÉ DU RÉFRIGÉRATEUR

BRANCHEMENTS ÉLECTRIQUES

⚠ AVERTISSEMENT **RISQUE DE CHOC ÉLECTRIQUE**

Branchez l'appareil dans une prise triple avec terre.

Ne retirez pas la broche de terre.

N'utilisez pas d'adaptateur.

N'utilisez pas un cordon de rallonge.

Le non-respect de ces instructions peut entraîner des risques d'incendies, des chocs électriques ou la mort.

Ne coupez pas ou n'enlevez pas, sous aucun prétexte, la troisième broche de mise à la terre du cordon d'alimentation. Pour des raisons de sécurité, cet appareil doit être correctement mis à la terre.

Le cordon d'alimentation de cet appareil est équipé d'une fiche à trois broches (pour une mise à la terre) qui s'adapte à la prise de courant standard à 3 broches (pour une mise à la terre) pour minimiser les risques de chocs électriques par cet appareil.

Faites vérifier la prise murale et le circuit électrique par un électricien qualifié pour s'assurer que le système est correctement mis à la terre.

Dans le cas d'une prise biphasée, l'installateur a la responsabilité et l'obligation de la remplacer par une prise triphasée correctement mise à la terre. N'utilisez pas d'adaptateur.

Le réfrigérateur doit toujours être branché à sa propre prise électrique d'une tension nominale correspondant à celle indiquée sur sa plaque signalétique.

Une alimentation électrique à 115 volts CA, 60 Hz, avec un fusible de 15 ou 20 ampères et une mise à la terre est nécessaire. Ceci permet d'obtenir un meilleur rendement et évite de surcharger les circuits électriques du domicile qui risque d'occasionner un incendie en surchauffant.

Ne débranchez jamais le réfrigérateur en tirant sur le cordon d'alimentation. Prenez toujours fermement la fiche en main et tirez pour la sortir de la prise.

Cessez immédiatement d'utiliser un cordon électrique endommagé. Si le cordon électrique est endommagé, son remplacement doit être effectué par un technicien en réparation qualifié au moyen d'un cordon de rechange autorisé par le fabricant.

Lorsque vous éloignez votre réfrigérateur du mur, faites attention à ne pas le faire rouler sur le cordon d'alimentation afin de ne pas l'endommager.

MISE AU REBUT APPROPRIÉE DE VOTRE ANCIEN RÉFRIGÉRATEUR

⚠ AVERTISSEMENT **RISQUE DE SUFFOQUER OU D'Y ÊTRE EMPRISONNÉ**

Le non-respect de ces instructions d'élimination peut entraîner la mort ou des blessures graves.

IMPORTANT: Les enfants pris au piège ou morts d'asphyxie sont toujours d'actualité. Les réfrigérateurs et congélateurs abandonnés sont toujours aussi dangereux, même si on n'attend que «quelques jours» pour s'en débarrasser. Si vous ne gardez pas votre ancien réfrigérateur ou congélateur, veuillez suivre les directives ci-dessous afin de prévenir les accidents.

Avant de vous débarrasser de votre ancien appareil :

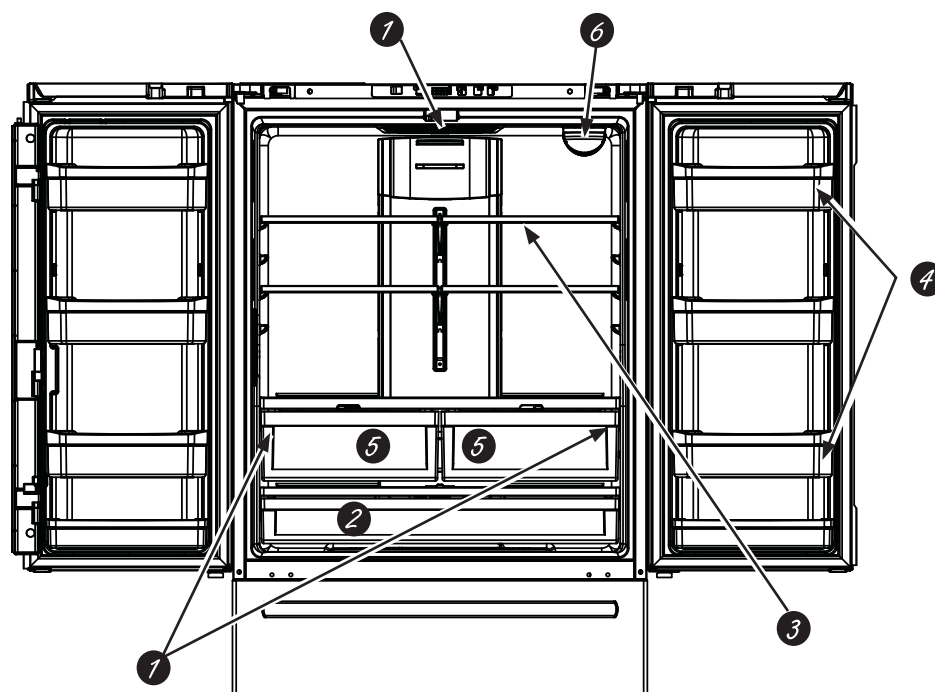
- Démontez les portes du compartiment de réfrigération et du compartiment de congélation.
- Laissez les clayettes en place afin d'empêcher les enfants de grimper à l'intérieur.

Mise au rebut des produits réfrigérants et en mousse

Mettez l'électroménager au rebut conformément à la réglementation fédérale et locale. Les matières isolantes inflammables utilisées exigent des procédures de mise au rebut spéciales. Communiquez avec les autorités locales pour connaître la façon de mettre votre électroménager au rebut qui soit respectueuse de l'environnement.

LIRE ET CONSERVER CES INSTRUCTIONS

CARACTÉRISTIQUES



1 Éclairage DEL

Les lampes DEL du compartiment réfrigérateur sont situées dans le centre supérieur et sur les côtés gauche et droit des bacs climatisés. Des lampes DEL sont aussi situées dans le congélateur; voir les pages 52.

2 Tiroir pleine largeur

Un tiroir pleine largeur pouvant recevoir des articles de taille supérieure est situé dans le bas du compartiment réfrigérateur.

3 Tablette QuickSpace™

Elle sert de tablette pleine grandeur au besoin et se glisse aisément pour ranger des articles longs en dessous.

4 Balconnets amovibles/réglables

On peut les déplacer vers le haut ou le bas pour répondre à vos besoins.

5 Tiroirs climatisés

Bacs séparés pour le rangement des fruits et légumes frais.

6 Filtre d'eau

Accessible pour faciliter le remplacement.

EXIGENCES D'INSTALLATION

EMPLACEMENT DU RÉFRIGÉRATEUR

IMPORTANT : Ce réfrigérateur est conçu pour un usage domestique, à l'intérieur uniquement.

- N'installez pas votre réfrigérateur dans un emplacement où la température ambiante sera inférieure à 16° C (60° F). Il ne se mettra pas en marche suffisamment souvent pour maintenir des températures convenables.
- N'installez pas votre réfrigérateur dans un emplacement où la température ambiante sera supérieure à 37° C (100° F). Il ne fonctionnera pas bien.
- N'installez pas votre réfrigérateur à un endroit exposé à l'eau (pluie, etc.) ou aux rayons directs du soleil.
- Installez votre réfrigérateur sur un plancher suffisamment solide pour le porter lorsqu'il est plein.

DÉGAGEMENTS

Prévoyez les dégagements suivants pour faciliter l'installation, la bonne circulation d'air et les raccordements de plomberie et d'électricité :

Côtés	3 mm (1/8 po)	
Dessus	25 mm (1 po)	Armoire/Couvercle de charnière
Arrière	50 mm (2 po)	

INSTRUCTIONS D'INSTALLATION

AVANT DE COMMENCER

Veillez lire toutes les directives attentivement

- **IMPORTANT** — Conservez ces instructions pour l'inspecteur local. Respectez toutes les ordonnances et les codes locaux.
- **Note à l'installateur** – Assurez-vous de laisser ces instructions au consommateur.
- **Note au consommateur** – Conservez ces instructions pour référence future.
- **Niveau de compétence** – L'installation de cet appareil nécessite des compétences mécaniques de base.
- **Temps d'installation** – Installation du réfrigérateur
20 minutes
Installation de la conduite d'eau - 30 minutes
- L'installateur est responsable de bien installer ce réfrigérateur.
- Toute panne du produit due à une mauvaise installation n'est pas couverte par la garantie

PRÉPARATION

DÉPLACEMENT DU RÉFRIGÉRATEUR À L'INTÉRIEUR DE LA MAISON

Si le réfrigérateur ne passe pas par la porte, vous pouvez enlever la porte du compartiment réfrigération et le tiroir du compartiment congélation.

- Pour retirer la porte du compartiment de réfrigération, consultez le chapitre retrait des portes de la section des instructions d'installation.
- Pour retirer le tiroir du congélateur, consultez le chapitre tiroir du congélateur dans la section d'utilisation du réfrigérateur.

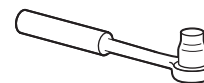
ALIMENTATION D'EAU DE LA MACHINE À GLAÇONS ET DU DISTRIBUTEUR

Si votre réfrigérateur est doté d'une machine à glaçons, la machine à glaçons doit être raccordée à une conduite d'eau froide. Vous pouvez acheter une trousse d'alimentation d'eau GE Appliances (contenant la tuyauterie, le robinet d'arrêt, les joints et les instructions) chez votre revendeur ou en vous adressant à notre site Web à l'adresse electromenegersge.ca ou en composant le 800.661.1616.

OUTILS DONT VOUS POUVEZ AVOIR BESOIN



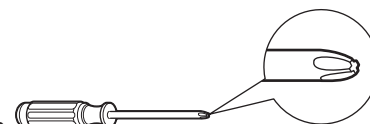
Clé réglable



Clé à douille 3/8 et 5/8 po



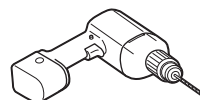
Écrou à compression d'un diamètre intérieur de 1/4 po et bague (modèles à machine à glaçons seulement)



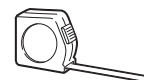
Tournevis cruciforme



Clé hexagonale 3/32, 1/8 et 3/16 po



Perceuse électrique ou manuelle et foret 1/8 po



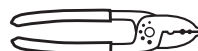
Ruban à mesurer



Crayon



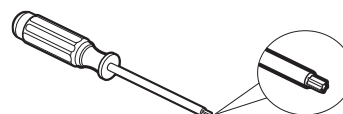
Tourne-écrou



Cisaille



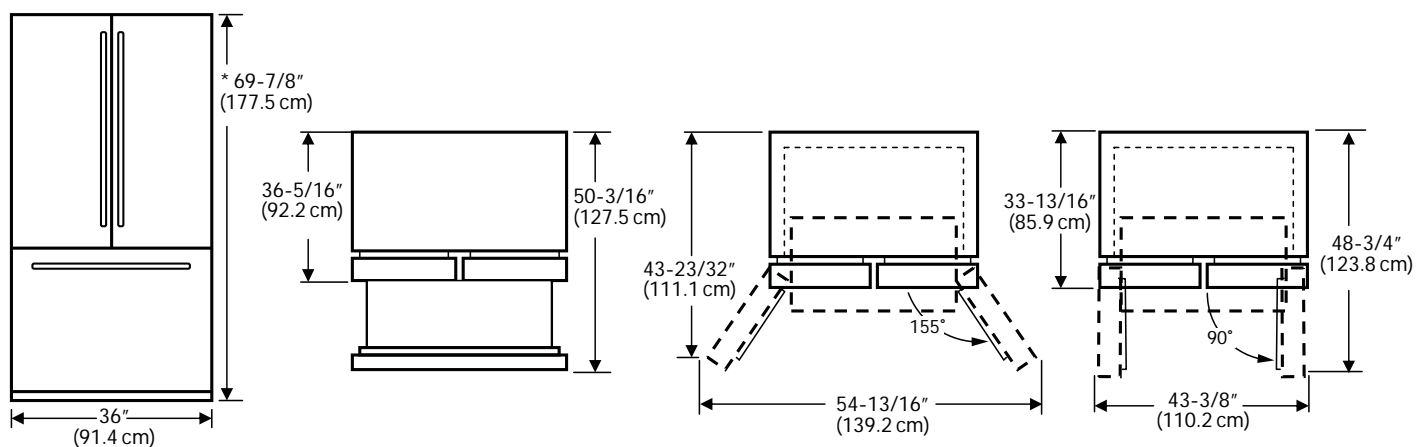
Niveau



Tournevis Torx T20

INSTRUCTIONS D'INSTALLATION

DIMENSIONS DE L'ÉLECTROMÉNAGER

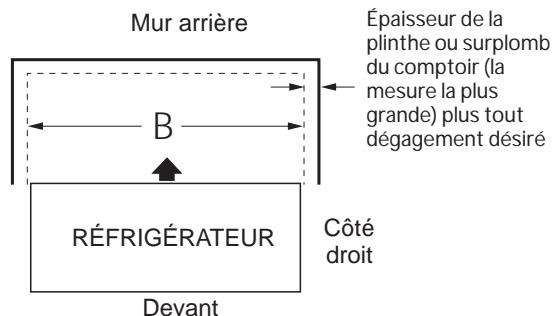


REMARQUE : * Hauteur du réfrigérateur depuis le dessus de la porte.

MESUREZ L'OUVERTURE DANS L'ARMOIRE SELON LA LARGEUR DU RÉFRIGÉRATEUR

Mesurez B, la largeur de l'ouverture de l'armoire dans laquelle vous voulez mettre votre réfrigérateur.

Assurez-vous de tenir compte de tout surplomb du comptoir, de l'épaisseur de la plinthe et de tout dégagement désiré. La largeur B ne doit pas être inférieure à 36 pouces (91,4 cm). Vous devez placer le réfrigérateur approximativement au milieu de cette ouverture.



INSTRUCTIONS D'INSTALLATION

INSTALLATION DE LA CONDUITE D'EAU AVANT DE COMMENCER

Nous recommandons les troupes de tuyauterie en cuivre WX8X2, WX8X3, WX8X4, selon la longueur dont vous avez besoin. Les conduites d'alimentation en eau en plastique approuvées sont des troupes de tuyau de conduite d'eau universel pour réfrigérateur (WX08X10006, WX08X10015 et WX08X10025).

Si l'alimentation d'eau à votre réfrigérateur vient d'un système de filtration par osmose inverse ET si votre réfrigérateur a également un filtre d'eau, utilisez le bouchon de dérivation du filtre de votre réfrigérateur. Si vous utilisez la cartouche de filtration de votre réfrigérateur conjointement avec le filtre d'osmose inverse, vous pouvez produire des glaçons creux. Certains modèles ne sont pas livrés avec un bouchon de dérivation du filtre. Pour vous en procurer un gratuitement, composez le 877.470.9174.

Cette installation de conduite d'eau n'est pas garantie par le fabricant de réfrigérateur ou de machine à glaçons. Suivez soigneusement ces instructions pour minimiser le risque de dommages onéreux d'inondation.

Les coups de bélier (eau qui donne des coups dans les tuyaux) dans la tuyauterie de la maison peut occasionner des dommages aux pièces de votre réfrigérateur, ainsi que des fuites ou des inondations. Appelez un plombier agréé pour corriger les coups de bélier avant d'installer la conduite d'eau de votre réfrigérateur.

Pour prévenir les brûlures et les dommages à votre réfrigérateur, ne branchez jamais la conduite d'eau à une canalisation d'eau chaude.

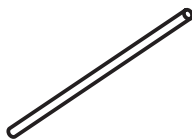
N'installez pas les tuyaux de la machine à glaçons dans des endroits où la température risque de descendre en dessous du point de congélation.

Si vous utilisez un outil électrique (comme une perceuse électrique) pendant l'installation, assurez-vous qu'il est doté d'une double isolation et d'une mise à la terre de son câblage afin de prévenir tout risque de choc électrique. On peut aussi utiliser un outil alimenté par batterie.

Vous devez procéder à toutes vos installations en conformité avec votre code local de plomberie.

CE DONT VOUS AUREZ BESOIN

- Tuyaux en cuivre ou trousse de tuyau de conduite d'eau universel pour réfrigérateur, diamètre extérieur de 1/4 po, pour brancher le réfrigérateur à l'alimentation d'eau. Si vous utilisez un tuyau en cuivre, assurez-vous que les deux extrémités du tuyau sont coupées bien droit.



Pour trouver la longueur de tuyau dont vous avez besoin : mesurez la distance qui va du robinet d'eau situé derrière le réfrigérateur jusqu'au tuyau d'alimentation d'eau. Assurez-vous qu'il y a assez de tuyau en surplus pour vous permettre d'écartier le réfrigérateur du mur après l'installation.

Les troupes de tuyau de conduite d'eau universel pour réfrigérateur sont offerts dans les longueurs suivantes :

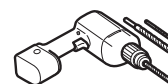
- 1,8 m (6 pi) – WX08X10006
- 4,6 m (15 pi) – WX08X10015
- 7,6 m (25 pi) – WX08X10025

⚠ AVERTISSEMENT

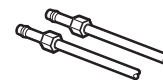
Raccordez l'appareil à une alimentation d'eau potable seulement. Une alimentation d'eau froide est requise pour faire fonctionner la machine à glaçons et le pichet à remplissage automatique. La pression d'eau doit se situer entre 40 et 120 psi. (275 à 827 kPa).

REMARQUE : Les seuls tuyaux en matière plastique approuvés par GE Appliances sont ceux qui sont fournis dans les troupes de tuyau de conduite d'eau universel pour réfrigérateur. N'utilisez jamais un autre tuyau en plastique, car le tuyau d'alimentation d'eau est tout le temps sous pression. Certains types de tuyaux en plastique peuvent devenir cassants avec l'âge et se fendre, occasionnant des dommages d'inondation dans votre maison.

- Vous pouvez acheter une trousse d'alimentation d'eau (contenant un tuyau en cuivre, un robinet d'arrêt et les joints énumérés ci-dessous) chez votre distributeur local ou auprès du service des pièces et accessoires au 800.661.1616).
- Une alimentation d'eau froide. La pression de l'eau doit mesurer entre 20 et 120 psi. (138-827 kPa).



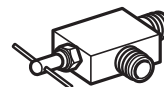
- Une perceuse électrique.
- Une clé de 1/2 po ou une clé réglable.
- Un tournevis à lame plate et un tournevis cruciforme.



- Deux écrous à compression d'un diamètre extérieur de 1/4 po et deux bagues (manchons) pour raccorder le tuyau en cuivre au robinet de sectionnement et au robinet d'eau du réfrigérateur. OU
- Si vous utilisez une trousse de tuyau de conduite d'eau universel pour réfrigérateur, les raccords nécessaires sont déjà montés au tuyau.



- Si votre conduite d'eau en cuivre actuelle présente un raccord évasé à une extrémité, vous aurez besoin d'un adaptateur (offert chez les marchands de matériel de plomberie) pour raccorder le tuyau d'eau au réfrigérateur, OU vous pouvez couper le raccord évasé à l'aide d'un coupe-tube, puis utiliser un raccord à compression. Ne coupez jamais l'extrémité finie d'un trousse de tuyau de conduite d'eau universel pour réfrigérateur.



- Un robinet de sectionnement à connecter au tuyau d'eau froide. Le robinet de sectionnement doit avoir une entrée d'eau d'un diamètre intérieur minimal de 5/32 po au point de raccordement avec la CONDUITE D'EAU FROIDE. Des robinets de sectionnement à étrier sont souvent inclus dans les troupes d'alimentation d'eau. Avant d'acheter, assurez-vous que le robinet à étrier satisfait à vos codes de plomberie locaux.

INSTRUCTIONS D'INSTALLATION

INSTALLATION DE LA CONDUITE D'EAU (Suite)

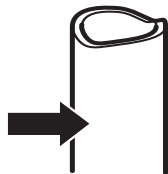
Installez le robinet de sectionnement sur la conduite d'eau potable la plus utilisée.

1. FERMER L'ALIMENTATION D'EAU PRINCIPALE

Ouvrez le robinet le plus proche suffisamment longtemps pour purger le tuyau.

2. CHOISIR L'EMPLACEMENT DU ROBINET DE SECTIONNEMENT

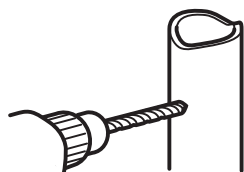
Choisissez pour le robinet un emplacement facilement accessible. Il vaut mieux le brancher de côté à un tuyau vertical. Si vous devez le brancher à un tuyau horizontal, faites le branchement en haut ou de côté, plutôt qu'en bas du tuyau, pour éviter de recevoir des sédiments du tuyau d'alimentation d'eau.



3. PERCER UN TROU POUR LE ROBINET

Percez un trou de 1/4 po dans la conduite d'eau à l'aide d'un foret dur (même si vous utilisez un robinet autotaraudeur). Enlevez toute barbare due au perçage du trou dans le tuyau.

Faites attention de ne pas laisser de l'eau couler dans votre perceuse électrique.

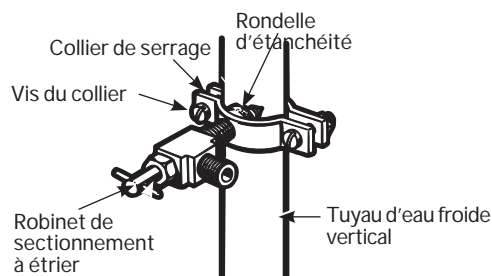


Si vous ne percez pas un trou de 1/4 po, vous obtiendrez une alimentation d'eau réduite et des glaçons plus petits.

4. FIXER LE ROBINET DE SECTIONNEMENT

Fixez le robinet de sectionnement au tuyau d'eau froide à l'aide du collier de serrage.

REMARQUE : Vous devez vous conformer aux Codes de plomberie 248CMR du Commonwealth of Massachusetts. Les robinets de sectionnement à étrier sont illégaux et leur utilisation n'est pas autorisée au Massachusetts. Consultez votre plombier local.



5. SERRER LE COLLIER DE SERRAGE

Serrez les vis du collier jusqu'à ce que la rondelle d'étanchéité commence à enfler.

REMARQUE : Ne serrez pas trop. Vous risquez d'écraser le tuyau.

6. ACHEMINER LE TUYAU

Acheminez le tuyau entre la conduite d'eau froide et le réfrigérateur.

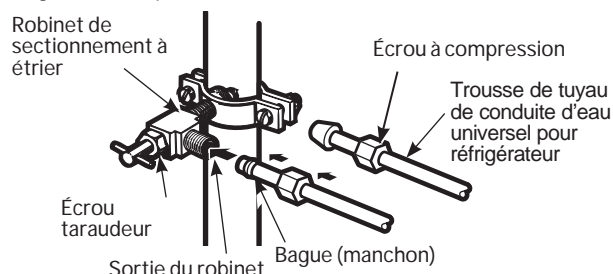
Faites passer le tuyau par un trou percé dans le mur ou le plancher (derrière le réfrigérateur ou au niveau de l'armoire de cuisine adjacente), aussi près du mur que possible.

7. RACCORDER LE TUYAU AU ROBINET DE SECTIONNEMENT

Placez un écrou à compression et une bague (manchon) à l'extrémité du tuyau et posez-les sur le robinet de sectionnement.

Assurez-vous que le tuyau est bien inséré dans le robinet. Serrez fort l'écrou à compression.

Pour le tuyau en matière plastique d'une tuyau de conduite d'eau universel pour réfrigérateur, insérez l'extrémité moulée du tuyau dans le robinet de sectionnement et serrez l'écrou à compression à la main, puis serrez d'un tour avec une clé. Un serrage excessif peut causer des fuites.



REMARQUE : Vous devez vous conformer aux Codes de plomberie 248CMR du Commonwealth of Massachusetts. Les robinets de sectionnement à étrier sont illégaux et leur utilisation n'est pas autorisée au Massachusetts. Consultez votre plombier local.

8. PURGER LE TUYAU

Ouvrez l'alimentation d'eau principale et purgez le tuyau jusqu'à ce que l'eau soit claire.

Fermez l'eau au robinet d'eau après l'écoulement d'environ 1 litre d'eau (env. 2 minutes) par le tuyau.



INSTRUCTIONS D'INSTALLATION

INSTALLATION DU RÉFRIGÉRATEUR - PORTES FRANÇAISES

EMPLACEMENT DU RÉFRIGÉRATEUR

- N'installez pas votre réfrigérateur dans un emplacement où la température ambiante sera inférieure à 16° C (60° F). Il ne se mettra pas en marche suffisamment souvent pour maintenir des températures convenables.
- N'installez pas votre réfrigérateur dans un emplacement où la température ambiante sera supérieure à 37° C (100° F). Il ne fonctionnera pas bien.
- N'installez pas votre réfrigérateur à un endroit exposé à l'eau (pluie, etc.) ou aux rayons directs du soleil.
- Installez votre réfrigérateur sur un plancher suffisamment solide pour le porter lorsqu'il est plein.

DÉGAGEMENTS

Prévoyez les dégagements suivants pour faciliter l'installation, la bonne circulation d'air et les raccordements de plomberie et d'électricité :

Côtés	3 mm (1/8 po)	
Dessus	25 mm (1 po)	Armoire/Couvercle de charnière
Arrière	50 mm (2 po)	

⚠ AVERTISSEMENT

Suivez toutes les étapes. La porte risque de tomber en plus de causer des blessures ou des dommages si vous ne respectez pas ces instructions, oubliez des pièces ou effectuez un serrage excessif des vis.

REMARQUES IMPORTANTES

Avant d'enlever les portes :

- Lisez les instructions jusqu'au bout avant de commencer.
- Placez les vis à proximité des pièces associées pour éviter de les utiliser aux mauvais endroits.
- Placez les portes sur une surface de travail qui ne les rayera pas.

⚠ ATTENTION

Soulèvement de poids lourd.

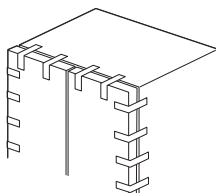
Une seule personne risque de se blesser à soulever un tel poids. Faites-vous aider lors de la manipulation, le déplacement et le soulèvement des portes de réfrigérateur.

REMARQUE : Lors du déplacement, déposez la porte à un endroit sûr qui n'abîmera ni la porte ni son électronique.

⚠ AVERTISSEMENT

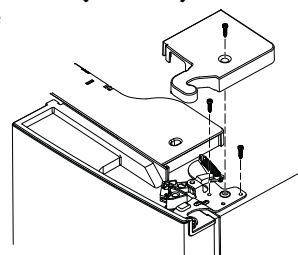
Pour éliminer le risque de choc électrique ou d'autres blessures pendant l'installation, vous devez d'abord débrancher le réfrigérateur avant de procéder. L'omission de suivre cette directive peut causer un choc électrique.

Immobilisez les portes fermées avec du ruban adhésif.



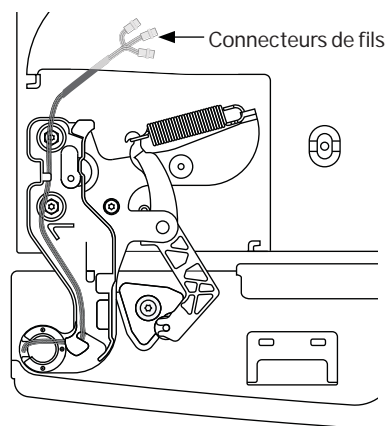
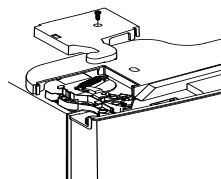
1. POUR RETIRER LES PORTES (droite)

- Enlevez le couvercle de charnière dans le haut de la porte du compartiment réfrigérateur en retirant la vis à l'aide d'un tournevis cruciforme.
- À l'aide d'une clé à douille 5/16 po, retirez les boulons qui fixent la charnière supérieure sur la carrosserie. Soulevez le support de charnière en ligne droite pour libérer l'axe de charnière de la douille dans le haut de la porte.
- Retirez le ruban de la porte droite et penchez la porte à l'écart de la carrosserie. Soulevez la porte pour la dégager de l'axe de charnière central.
- Déposez la porte sur une surface qui ne rayera pas la porte, intérieur vers le haut.

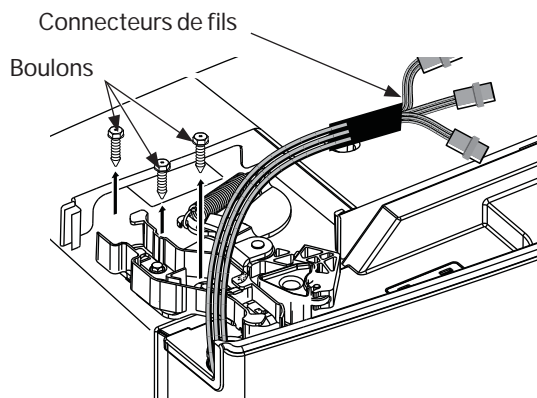


2. POUR RETIRER LES PORTES (gauche)

- Enlevez le couvercle de charnière dans le haut de la porte gauche en retirant la vis à l'aide d'un tournevis cruciforme.
- Débranchez les 3 connecteurs de fils et déplacez les fils jusqu'à voir les vis qui fixent la charnière.



- À l'aide d'une clé à douille 5/16 po, retirez les boulons qui fixent la charnière supérieure sur la carrosserie.



INSTRUCTIONS D'INSTALLATION

INSTALLATION DU RÉFRIGÉRATEUR - PORTES FRANÇAISES

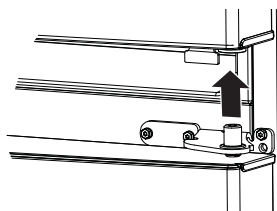
2. POUR RETIRER LES PORTES (gauche) (Suite) RÉINSTALLATION DES PORTES

D. Soulevez la charnière en ligne droite pour dégager l'axe de charnière de la douille dans le haut de la porte et acheminez le fil dans la fente de la charnière.

E. Retirez le ruban de la porte, ouvrez la porte sur 90 degrés et penchez-la à l'écart de la carrosserie.

Soulevez la porte pour la dégager de l'axe de charnière central.

F. Déposez la porte sur une surface qui ne rayera pas la porte, intérieur vers le haut.



⚠ AVERTISSEMENT

Suivez toutes les étapes. La porte risque de tomber en plus de causer des blessures ou des dommages si vous ne respectez pas ces instructions, oubliez des pièces ou effectuez un serrage excessif des vis.

REMARQUES IMPORTANTES

Avant de replacer les portes :

- Lisez les instructions jusqu'au bout avant de commencer.

⚠ ATTENTION

Soulèvement de poids lourd.

Une seule personne risque de se blesser à soulever un tel poids. Faites-vous aider lors de la manipulation, le déplacement et le soulèvement des portes de réfrigérateur.

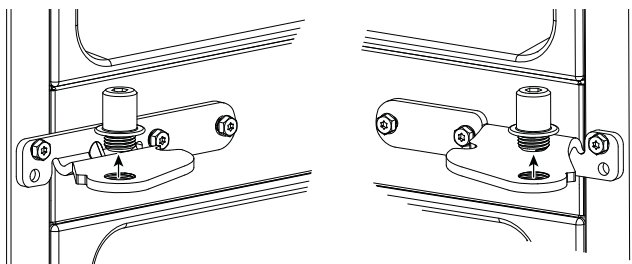
REMARQUE : Lors du déplacement, déposez la porte à un endroit sûr qui n'abîmera ni la porte ni son électronique.

⚠ AVERTISSEMENT

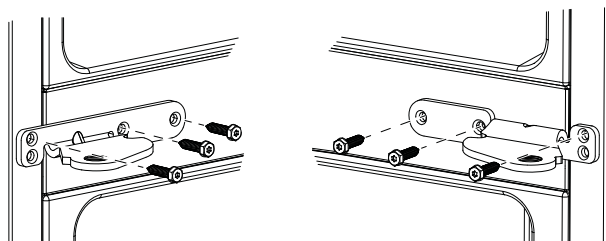
Pour éliminer le risque de choc électrique ou d'autres blessures pendant l'installation, vous devez d'abord débrancher le réfrigérateur avant de procéder. L'omission de suivre cette directive peut causer un choc électrique.

3. ENLÈVEMENT DES CHARNIÈRES ET SUPPORTS CENTRAUX

A. À l'aide d'une clé hexagonale 1/4 po, enlevez les 2 axes de charnière de leurs supports.

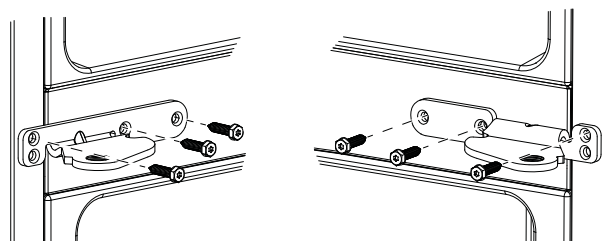


B. À l'aide d'une clé à douille 5/16 po, retirez les boulons qui fixent les supports de charnière sur la carrosserie.

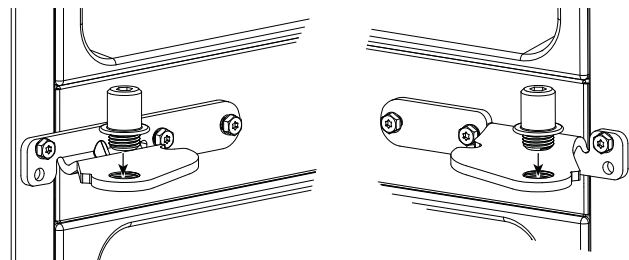


1. RÉINSTALLATION DES SUPPORTS DE CHARNIÈRE ET DES CHARNIÈRES CENTRAUX

A. À l'aide d'une clé à douille 5/16 po, refixez les boulons et les supports de charnière centraux sur la carrosserie.



B. À l'aide d'une clé hexagonale 1/4 po, refixez les 2 axes de charnière dans leurs supports.

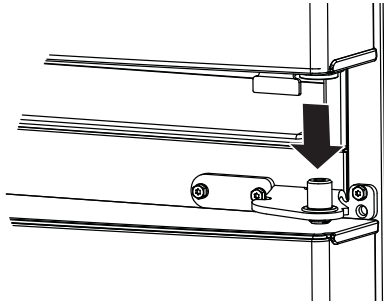


INSTRUCTIONS D'INSTALLATION

INSTALLATION DU RÉFRIGÉRATEUR - PORTES FRANÇAISES (Suite)

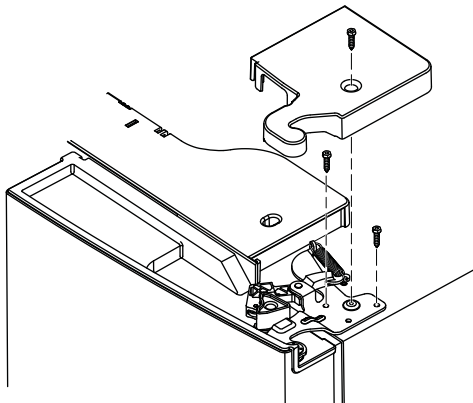
2. RACCROCHAGE DE LA PORTE DROITE

A. Abaissez la porte dans l'axe de la charnière droite.



B. Assurez-vous que la porte est alignée sur la carrosserie. Fixez lâchement la charnière sur le haut de la carrosserie à l'aide des boulons retirés précédemment.

C. Assurez-vous que le joint d'étanchéité de la porte s'appuie totalement contre la carrosserie, sans plis. Serrez les boulons avec un couple serrage de 60 lb-po. (6,78 Nm).

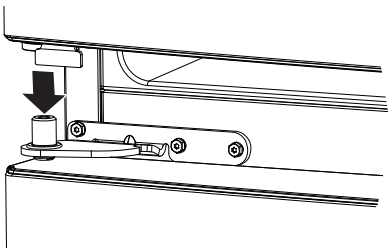


D. Remplacez le couvercle de la charnière droite dans le haut du réfrigérateur à l'aide d'un tournevis cruciforme.

3. RACCROCHAGE DE LA PORTE GAUCHE

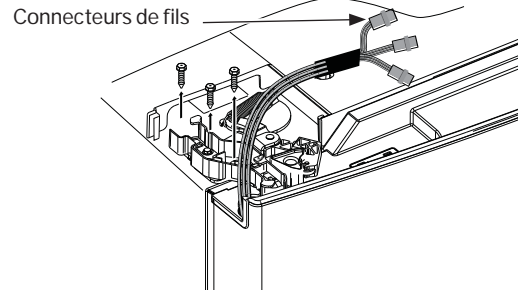
A. Acheminez le fil dans la fente de la charnière. Placez l'axe de charnière dans le haut de la porte.

B. Abaissez la porte sur l'axe de la charnière gauche.

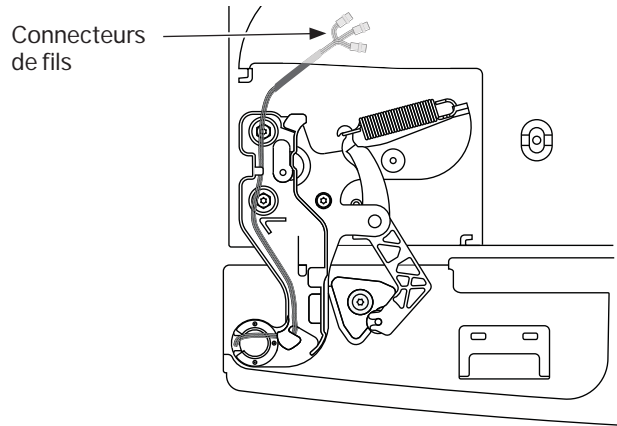


C. Assurez-vous que la porte est alignée sur la carrosserie. Fixez lâchement la charnière sur le haut de la carrosserie à l'aide des boulons retirés précédemment.

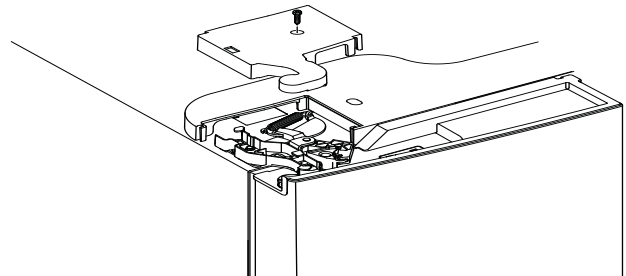
D. Assurez-vous que le joint d'étanchéité de la porte s'appuie totalement contre la carrosserie, sans plis. Serrez les boulons avec un couple serrage de (6,78 Nm).



E. Insérez la conduite d'eau dans le trou et à travers le logement en plastique jusqu'à l'arrière du réfrigérateur.



F. Remplacez le couvercle de la charnière gauche sur le dessus du réfrigérateur à l'aide d'un tournevis cruciforme.



INSTRUCTIONS D'INSTALLATION

INSTALLATION DU RÉFRIGÉRATEUR- TIROIR DU CONGÉLATEUR

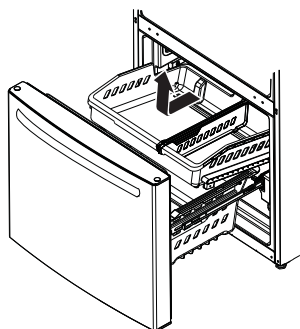
REMARQUES IMPORTANTES

Avant d'enlever le tiroir du congélateur :

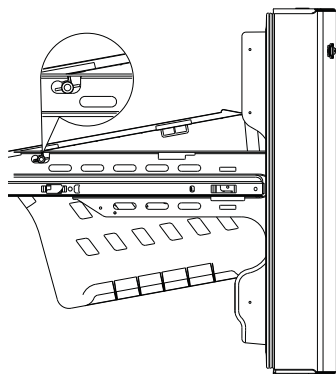
- Lisez les instructions jusqu'au bout avant de commencer.
- Placez le devant du tiroir sur une surface de travail qui ne les rayera pas.

1. ENLEVER LES PANIERS

- A. Ouvrez le tiroir du congélateur jusqu'à ce qu'il s'arrête.
- B. Tirez le panier supérieur jusqu'à ce qu'il s'arrête. Soulevez le panier sur l'avant puis vers l'extérieur pour le sortir.

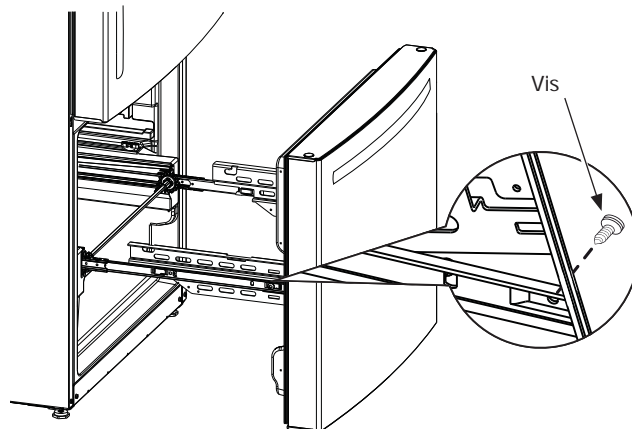


- C. Le panier inférieur repose sur un cadre à l'intérieur du tiroir. Soulevez l'avant du panier puis tirez vers l'avant. Libérez les tiges des fentes du cadre pour retirer le panier.

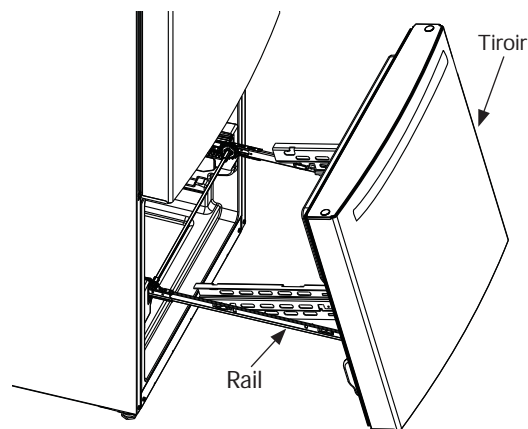


2. ENLEVER LE DEVANT DU TIROIR

- A. Retirez la vis des glissières de chaque côté.



- B. Tirez vers le haut sur les deux côtés de la poignée du tiroir pour séparer les glissières des rails.



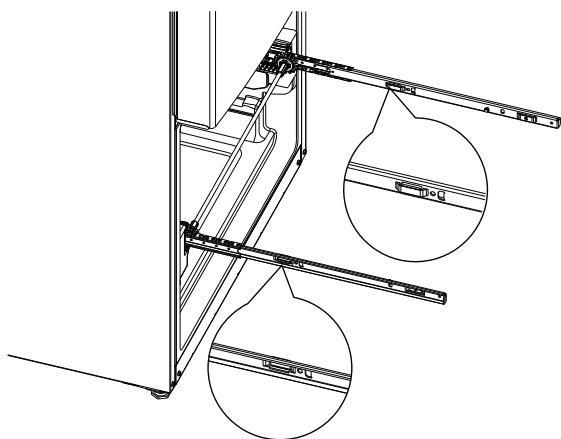
- C. Placez le devant du tiroir sur une surface de travail qui ne les rayera pas.
- D. Repoussez les rails à la position de verrouillage.

INSTRUCTIONS D'INSTALLATION

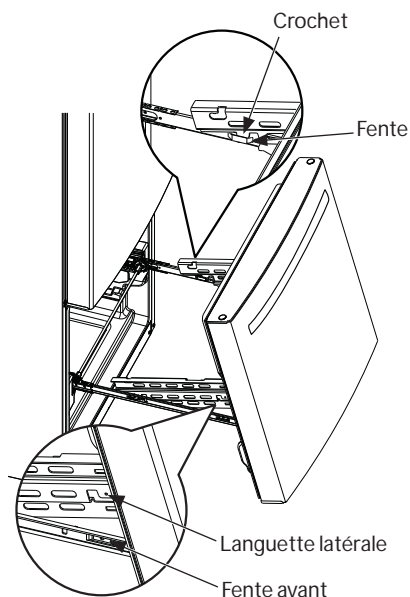
INSTALLATION DU RÉFRIGÉRATEUR- TIROIR DU CONGÉLATEUR (Suite) (certains modèles)

3. RÉINSTALLER LE DEVANT DU TIROIR DU CONGÉLATEUR

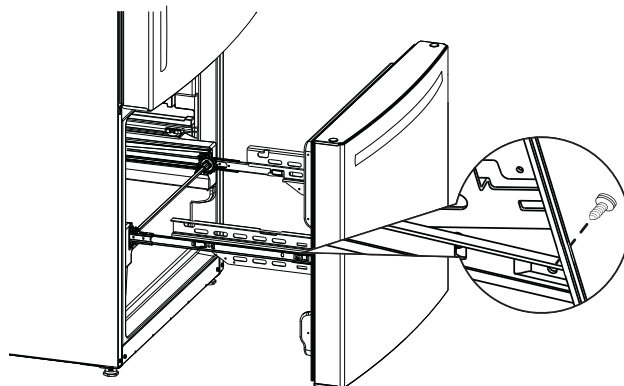
- A. Tirez les rails à leur extension maximale.
- B. Repérez les fentes sur l'intérieur de chaque glissière



- C. Insérez les crochets aux extrémités des extensions du tiroir dans les fentes près de l'arrière des glissières.



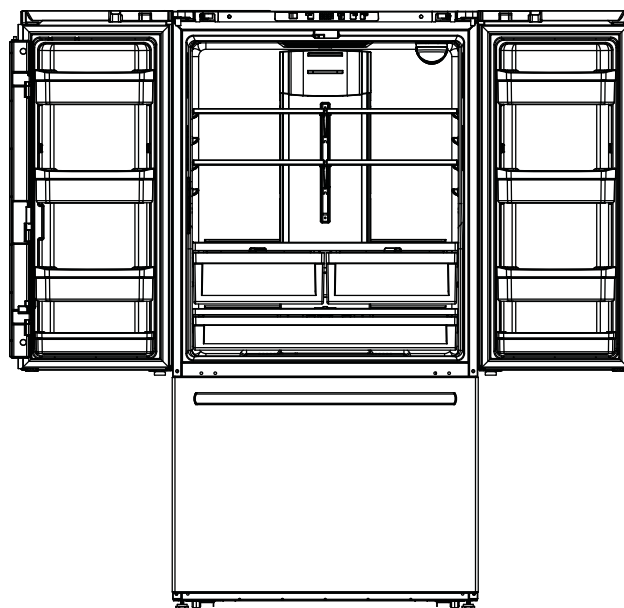
- D. Abaissez l'extrémité avant du tiroir de façon que les languettes latérales s'insèrent dans les fentes avant des rails.
- E. Remplacez les vis de sécurité dans les deux côtés des glissières et rails.



- F. Remplacez les paniers inférieur et supérieur (voir la section Tiroir du congélateur).

MONTAGE DU RÉFRIGÉRATEUR SUGGÉRÉ

Tablettes dans la position de meilleure efficacité énergétique.



QNE27J
27 cuft. Modèles à deux portes
avec tiroir de congélateur

INSTRUCTIONS D'INSTALLATION

RACCORDEMENT DU RÉFRIGÉRATEUR À LA CONDUITE D'EAU DE LA MAISON

Une alimentation en eau froide est nécessaire pour le fonctionnement de la machine à glaçons. Si elle est absente, vous devez en installer une. Consultez la section Installation de la conduite d'eau.

Remarques :

- Avant de raccorder votre réfrigérateur, assurez-vous que le cordon électrique n'est pas branché dans la prise murale.
- Si votre réfrigérateur n'est pas doté d'un filtre d'eau, nous recommandons d'en installer un si votre alimentation d'eau contient du sable ou des particules qui peuvent obstruer la grille du robinet d'eau du réfrigérateur. Si vous utilisez une trousse de tuyau de conduite d'eau universel pour réfrigérateur, vous aurez besoin d'un tube supplémentaire (WX08X10002) pour connecter le filtre. Ne coupez pas le tube en plastique pour installer le filtre.
- Avant de raccorder la conduite d'eau à la maison, purgez la conduite de la maison pendant au moins 2 minutes.

A. Si vous utilisez un tuyau en cuivre, placez un écrou à compression et une bague sur l'extrémité du tuyau d'alimentation d'eau froide de la maison.

Si vous utilisez un tuyau de conduite d'eau universel, les écrous sont déjà montés sur le tuyau.

B. Si vous utilisez un tuyau en cuivre, insérez l'extrémité du tuyau aussi loin que possible dans le raccord du réfrigérateur à l'arrière de celui-ci. Tout en tenant le tuyau, serrez le raccord.

Si vous utilisez un tuyau de conduite d'eau universel, insérez l'extrémité moulée du tuyau dans le raccord du réfrigérateur à l'arrière de celui-ci, et serrez l'écrou à compression à la main. Utilisez ensuite une clé pour le serrer d'un tour supplémentaire. Un serrage excessif peut causer des fuites.

⚠ AVERTISSEMENT

Raccordez l'appareil à une alimentation d'eau potable seulement. Une alimentation d'eau froide est requise pour faire fonctionner la machine à glaçons et le pichet à remplissage automatique. La pression d'eau doit se situer entre 40 et 120 psi. (275 à 827 kPa).

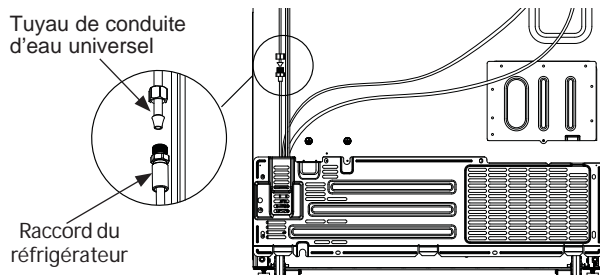
⚠ AVERTISSEMENT



RISQUE DE DÉCHARGE

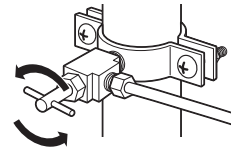
ÉLECTRIQUE

Fixez le collier de serrage dans le trou présent seulement. NE PERCEZ PAS dans le réfrigérateur.



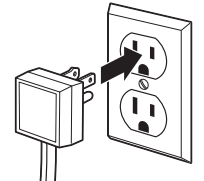
OUVRIRE L'ALIMENTATION D'EAU

Ouvrez l'alimentation d'eau au robinet de sectionnement (alimentation de la maison) et vérifiez l'absence de fuites.



BRANCHER LE RÉFRIGÉRATEUR

Pour les modèles avec machine à glaçons, avant de brancher le réfrigérateur, assurez-vous que l'interrupteur se trouve à la position Off/arrêt.



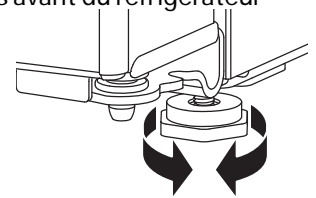
Voir les renseignements sur la mise à la terre attachés au cordon électrique.

METTRE LE RÉFRIGÉRATEUR EN PLACE

Placez le réfrigérateur à son emplacement final.

METTRE LE RÉFRIGÉRATEUR DE NIVEAU

Les **pieds de nivellement** aux coins avant du réfrigérateur doivent être réglés de façon que le réfrigérateur repose solidement sur le plancher, et que l'avant soit légèrement surélevé, juste assez pour que la porte se referme aisément lorsqu'elle est ouverte à mi-parcours.

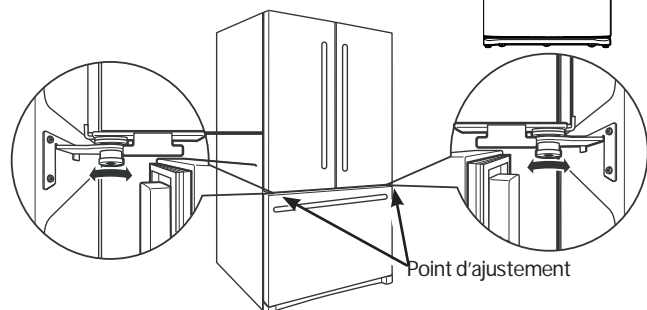


Pour régler les pieds de nivellement, tournez-les dans le sens des aiguilles pour soulever le réfrigérateur, dans le sens inverse des aiguilles pour l'abaisser.

METTRE LES PORTES DU RÉFRIGÉRATEUR DE NIVEAU

Un réfrigérateur de niveau est nécessaire pour mettre les portes à égalité. Si vous avez besoin d'aide, revoyez la section précédente sur le nivellement du réfrigérateur.

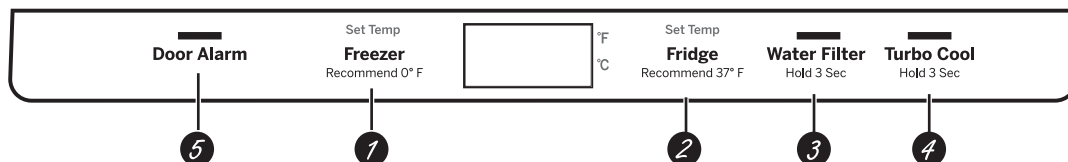
Si les portes demeurent inégales, tournez la tige réglable à l'aide d'une clé hexagonale ¼ po pour soulever la porte la plus basse.



UTILISATION DU RÉFRIGÉRATEUR

Commandes

(certains modèles)



1 **Commande de température du compartiment congélateur**
Cette commande sert à régler la température du congélateur. La température est pré réglée à l'usine à la valeur 0 °F (-17,8 °C). Allouez 24 heures pour stabiliser la température à la valeur pré réglée.

2 **Commande de température du compartiment réfrigérateur**
Cette commande sert à régler la température du compartiment réfrigérateur. La température est pré réglée à l'usine à la valeur 37 °F (2,8 °C). Allouez 24 heures pour stabiliser la température à la valeur pré réglée.

3 **Filtre d'eau**
Pressez la touche durant 3 secondes pour réinitialiser le filtre d'eau.

4 **Fonction Turbo Cool**
Pour activer la fonction **TurboCool™**, pressez cette touche durant 3 secondes. L'affichage indiquera **tc**. Cette fonction refroidit rapidement le compartiment réfrigérateur et ainsi les aliments qui s'y trouvent. Utilisez **TurboCool™** lorsque vous ajoutez une grande quantité d'aliments dans le compartiment réfrigérateur, des aliments qui ont reposé à température ambiante ou encore des restes de table tièdes. Cette fonction peut aussi servir en cas d'interruption de courant sur une longue période.

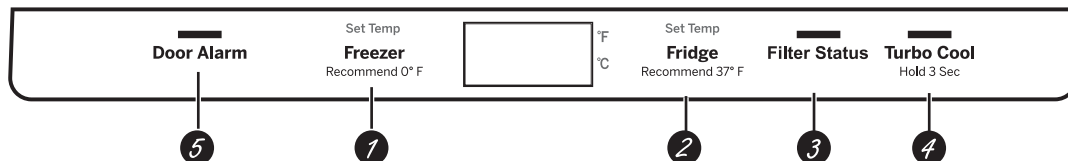
REMARQUE : Lorsque **TurboCool™** est en fonction, le réglage de la température du réfrigérateur ne peut pas être changé, la température du congélateur reste la même et les ventilateurs continuent de tourner à l'ouverture de la porte s'ils ont été activés.

5 **Alarme de Porte**
Pressez la touche **Door Alarm** (alarme de porte) pour activer cette fonction. L'alarme sonnera si l'une des portes reste ouverte plus de 2 minutes. La sonnerie cesse à la fermeture de la porte.

REMARQUE : Pour mettre le panneau de commande du réfrigérateur en position **OFF** (arrêt), pressez simultanément les mots **Freezer** (congélateur) et **Fridge** (réfrigérateur) durant 3 secondes. Aucun réglage du panneau de commande ne permet de couper l'alimentation électrique au réfrigérateur.

Basculer entre °F et °C ou °C et °F : Maintenez une pression sur les boutons **FREEZER** (congélateur) et **ALARM** (alerte) simultanément durant 5 secondes pour choisir entre °C et °F ou °F et °C.

(certains modèles)



1 **Commande de température du compartiment congélateur**
Cette commande sert à régler la température du congélateur. La température est pré réglée à l'usine à la valeur 0°F (-17,8°C). Allouez 24 heures pour stabiliser la température à la valeur pré réglée.

2 **Commande de température du compartiment réfrigérateur**
Cette commande sert à régler la température du compartiment réfrigérateur. La température est pré réglée à l'usine à la valeur 37°F (2,8°C). Allouez 24 heures pour stabiliser la température à la valeur pré réglée.

3 **État du filtre**
Pressez la touche **Filter Status** (état du filtre) pour afficher le pourcentage (%) de durée de vie résiduel du filtre.

4 **Fonction Turbo Cool**
Pour activer la fonction **TurboCool™**, pressez cette touche durant 3 secondes. L'affichage indiquera **tc**. Cette fonction refroidit rapidement le compartiment réfrigérateur et ainsi les aliments qui s'y trouvent. Utilisez **TurboCool™** lorsque vous ajoutez une grande quantité d'aliments dans le compartiment réfrigérateur, des aliments qui ont reposé à température ambiante ou encore des restes

de table tièdes. Cette fonction peut aussi servir en cas d'interruption de courant sur une longue période.

REMARQUE : Lorsque **TurboCool™** est en fonction, le réglage de la température du réfrigérateur ne peut pas être changé, la température du congélateur reste la même et les ventilateurs continuent de tourner à l'ouverture de la porte s'ils ont été activés.

5 **Alarme de Porte**
Pressez la touche **Door Alarm** (alarme de porte) pour activer cette fonction. L'alarme sonnera si l'une des portes reste ouverte plus de 2 minutes. La sonnerie cesse à la fermeture de la porte.

REMARQUE : Pour mettre le panneau de commande du réfrigérateur en position **OFF** (arrêt), pressez simultanément les mots **Freezer** (congélateur) et **Fridge** (réfrigérateur) durant 3 secondes. Aucun réglage du panneau de commande ne permet de couper l'alimentation électrique au réfrigérateur.

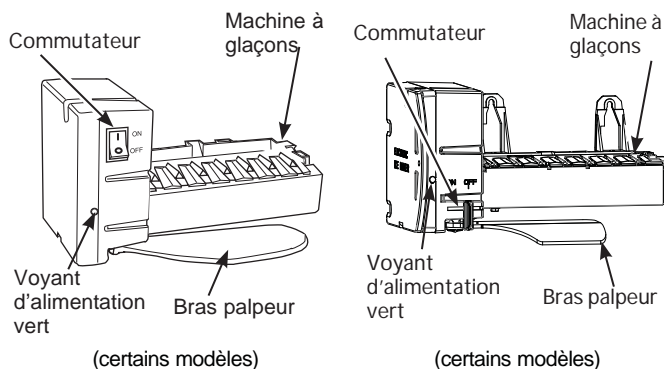
Basculer entre °F et °C ou °C et °F : Maintenez une pression sur les boutons **FREEZER** (congélateur) et **ALARM** (alerte) simultanément durant 5 secondes pour choisir entre °C et °F ou °F et °C.

UTILISATION DU RÉFRIGÉRATEUR

MODES SABBATH

Activez le mode Sabbath pour désactiver la commande de température et les fonctions avancées (p.ex. alarme de porte). Selon le modèle, les lampes intérieures seront éteintes, ou à un faible éclairage peu importe que la porte soit ouverte ou fermée. En mode Sabbath, le compresseur fonctionnera avec un dégivrage minuté.

- Selon le modèle, maintenez une pression sur **Alarm** (alarme) et **Water Filter** (filtre à eau), ou sur **Alarm** et **Filter Status** (état du filtre) simultanément durant 5 secondes pour entrer ou quitter le mode Sabbath.
- La machine à glaçons doit être éteinte manuellement durant le mode Sabbath. Pour éteindre la machine à glaçons, mettez l'interrupteur à la position OFF/arrêt. Pour allumer la machine à glaçons, mettez l'interrupteur à la position ON/marche.

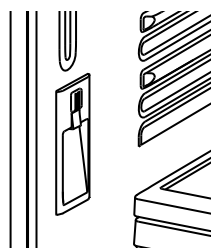


DISTRIBUTEUR D'EAU INTÉRIEUR

Le distributeur d'eau est situé sur la paroi gauche à l'intérieur du compartiment réfrigérateur.

Pour distribuer l'eau :

1. Maintenez le verre dans le renforcement.
2. Poussez le bouton du distributeur.
3. Gardez le verre sous le distributeur durant 2 à 3 secondes après le relâchement du bouton car de l'eau peut continuer à l'écouler.



Il se peut que de l'air soit présent dans la conduite d'eau si la distribution d'eau n'a pas eu lieu à la première installation du réfrigérateur. Appuyez sur le bouton du distributeur durant au moins 5 minutes pour expulser l'air de la conduite et remplir le système d'eau. Pendant ce processus, un bruit peut se faire entendre lors de l'expulsion d'air. Pour expulser les impuretés de la conduite, jetez les premiers 6 verres d'eau.

REMARQUE : Pour prévenir les dépôts, le distributeur doit être essuyé régulièrement à l'aide d'un linge ou d'une éponge propre.

FILTRE D'EAU À CARTOUCHE- XWFE

Le support du filtre d'eau à cartouche est situé dans le coin supérieur arrière droit du compartiment réfrigérateur.

Certains modèles utilisent l'identification par radiofréquence (IRF) pour détecter les fuites et contrôler l'état du filtre. La technologie IRF est homologuée par la FCC.

Contient FCC ID: ZKJ-294D2018 IC: 10229A-294D2018

« Cet appareil est conforme aux prescriptions de la partie 15 des règles de la FCC. Le fonctionnement de cet équipement est assujéti aux deux conditions suivantes : (1) Cet appareil ne doit pas causer de brouillage préjudiciable; et (2) cet appareil doit accepter tout brouillage qu'il reçoit, y compris celui pouvant entraîner un fonctionnement indésirable. »

« Cet appareil est conforme aux normes RSS d'Industrie Canada relatives aux dispositifs exempts de licence. Le fonctionnement de cet équipement est assujéti aux deux conditions suivantes : (1) Cet appareil ne doit pas causer de brouillage; et (2) cet appareil doit accepter tout brouillage, y compris celui pouvant entraîner un fonctionnement indésirable. »

QUAND REMPLACER LE FILTRE

Si le distributeur est doté d'un indicateur de remplacement de filtre, un voyant de filtre rouge commencera à clignoter pour vous signaler la nécessité de remplacer le filtre bientôt.

- Le voyant de filtre clignotera lorsque la porte est ouverte jusqu'à ce que le filtre soit remplacé.

Le filtre à cartouche doit être remplacé tous les six mois, ou plus tôt si le débit d'eau du distributeur ou de la machine à glaçons diminue.

RETRAIT DU FILTRE À CARTOUCHE

Si vous remplacez le filtre, retirez d'abord le précédent:

1. Ouvrez le boîtier du filtre à cartouche en pressant les deux languettes frontales puis tirant avec soin vers le bas.
2. Tournez le filtre vers le bas.
3. Agrippez avec soin le filtre et tournez-le dans le sens contraire des aiguilles sur environ ¼ de tour. Le filtre devrait se libérer automatiquement une fois tourné suffisamment vers la gauche. Une petite quantité d'eau pourrait dégoutter.

ATTENTION Lors de son retrait, le filtre à cartouche risque d'être éjecté si de l'air est emprisonné dans le système. Veuillez user de prudence.

BOUCHON DE DÉRIVATION DU FILTRE

Pour réduire le risque de dommage à la propriété en raison de fuites d'eau, vous DEVEZ utiliser un bouchon de dérivation du filtre lorsqu'une cartouche filtrante de rechange n'est pas disponible. Certains modèles ne sont pas équipés d'un bouchon de dérivation de filtre. Pour en obtenir un gratuitement, visitez Haierparts.ca. Le distributeur et la machine à glaçons ne fonctionneront pas sans que ne soient installés le filtre ou le bouchon de dérivation. Le bouchon de dérivation s'installe de la même manière que la cartouche filtrante.

UTILISATION DU RÉFRIGÉRATEUR

FILTRE D'EAU À CARTOUCHE- XWFE (suite)

BOUCHON DE DÉRIVATION DU FILTRE

Pour réduire le risque de dommage à la propriété en raison de fuites d'eau, vous DEVEZ utiliser un bouchon de dérivation du filtre lorsqu'une cartouche filtrante de rechange n'est pas disponible. Certains modèles ne sont pas équipés d'un bouchon de dérivation de filtre. Pour en obtenir un gratuitement, visitez Haierparts.ca. Le distributeur et la machine à glaçons ne fonctionneront pas sans que ne soient installés le filtre ou le bouchon de dérivation. Le bouchon de dérivation s'installe de la même manière que la cartouche filtrante.

INSTALLATION DU FILTRE DANS UN RÉFRIGÉRATEUR À CONGÉLATEUR INFÉRIEUR

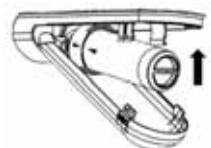
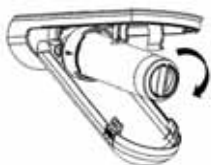
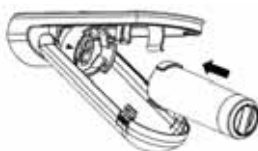
1. Ouvrez le boîtier du filtre à cartouche en pressant les deux languettes frontales puis tirant avec soin vers le bas.

2. Alignez les orifices du filtre sur ceux du support de filtre à cartouche, puis insérez le filtre avec soin.

3. Tournez le filtre lentement vers la droite jusqu'au bout. **NE SERREZ PAS EXCESSIVEMENT.** Le filtre prendra automatiquement sa position à mesure que vous le tournez. Le filtre se déplacera sur environ ¼ de tour ou 90 degrés, jusqu'à ce que la flèche sur le filtre s'aligne sur celle du support de filtre.

4. Poussez lentement le filtre vers le haut dans les agrafes.

5. Fermez le boîtier du filtre en poussant avec soin le couvercle vers le haut jusqu'à ce que les languettes se verrouillent en place.



6. **Pour les modèles avec distributeurs seulement** - Faites circuler environ 2 gallons (7,6 litres) ou durant 5 minutes d'eau pour nettoyer le système. De l'eau peut gicler et des bulles d'air peuvent être visibles pendant le processus. Si l'eau ne circule pas, assurez-vous que le filtre est complètement tourné vers la droite.

Pour les modèles avec machine à glaçons seulement – Jetez le premier bac de glaçons pour permettre la purge d'air du système. Une cartouche filtrante nouvellement installée causera un échappement d'eau dans le corps de la machine à glaçons, ce qui peut provoquer des gouttelettes glacées autour de la zone de la machine à glaçons. **REMARQUE** : Ces gouttelettes sont normales et les premiers glaçons peuvent être décolorés pendant la première purge du système. La couleur des glaçons redeviendra normale après la première production du premier bac de glaçons.

7. Maintenez une pression sur le bouton **RESET WATER FILTER** (réinitialiser le filtre à eau) du distributeur durant 3 secondes. Sur certains modèles, la réinitialisation du filtre est automatique une fois un nouveau filtre installé.

Conditions d'application/Paramètres d'alimentation d'eau

Débit de service	0,5 g/min (1,89 l/min)
Alimentation d'eau	Eau potable
Pression d'eau	25-120 psi (172-827 kPa)
Température d'eau	33°F-100°F (0,6 °C-38 °C)
Capacité	170 gallons (643,5 litres)

Inscrivez-vous pour des **RAPPELS DE TEXTE** en textant **REPLACE** au 70543.

⚠ AVERTISSEMENT Pour réduire le risque d'étouffement, ne laissez pas les enfants âgés de moins de 3 ans atteindre les petites pièces pendant l'installation du produit. Le filtre à cartouche jetable doit être remplacé tous les 6 mois dans les conditions d'utilisation prescrites, ou plus tôt si une diminution évidente de son débit est observée.

Pour bénéficier au maximum de votre système de filtration, Haier recommande l'utilisation de filtres de marque GE Appliances seulement. L'utilisation de filtres de marque GE Appliances avec des réfrigérateurs Haier procure un rendement et une fiabilité optimaux. Les filtres GE Appliances satisfont les normes NSF rigoureuses de l'industrie relative à la sécurité et la qualité, facteur important pour les produits qui filtrent votre eau. Haier n'a pas évalué le rendement des filtres d'autres marques dans les réfrigérateurs Haier et il n'existe aucune assurance qu'ils satisferont les normes de qualité, de rendement et de fiabilité Haier.

Pour toute question, ou pour commander des filtres à cartouche de rechange, visitez notre site Web au GEAppliances.ca.

UTILISATION DU RÉFRIGÉRATEUR

TABLETTES ET BALCONNETS

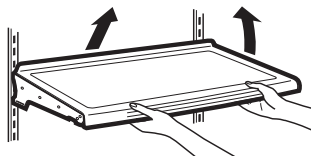
Toutes les caractéristiques ne sont pas disponibles sur tous les modèles.

DISPOSITION DES TABLETTES DU RÉFRIGÉRATEUR

Les tablettes du compartiment réfrigérateur sont réglables.

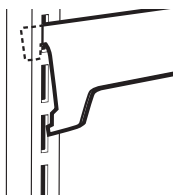
Pour retirer les tablettes :

1. Pour retirer les tablettes :
2. Soulevez la tablette à l'avant.
3. Soulevez la tablette à l'arrière et faites-la sortir.



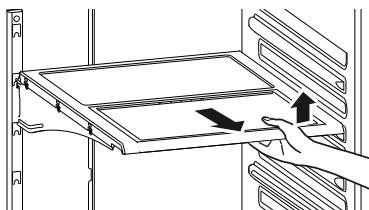
Pour replacer les tablettes :

1. En soulevant la tablette à l'avant, insérez le crochet supérieur à l'arrière de la tablette dans une fente du rail.
2. Abaissez le devant de la tablette jusqu'à ce que le bas de la tablette se fixe en place.

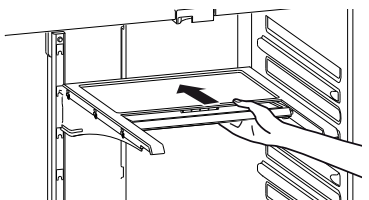


TABLETTE QUICK SPACE

Cette tablette se sépare en deux moitiés dont l'une se glisse sous l'autre pour permettre le rangement d'articles en hauteur sur la tablette du dessous. Cette tablette peut s'enlever pour remise en place ou repositionnement.



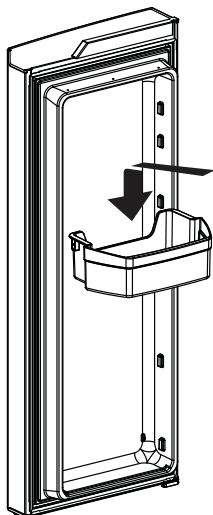
REMARQUE : La moitié arrière de la tablette Quick Space n'est pas réglable.



BALCONNETS RÉGLABLES

Pour retirer : Soulevez l'avant du balconnet en ligne droite, puis sortez-le.

Pour replacer : Engagez le balconnet dans les supports moulés de la porte et poussez vers le bas pour verrouiller en place.



BACS

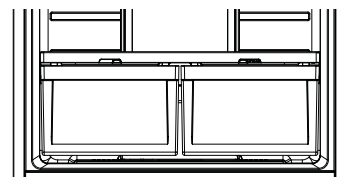
Toutes les caractéristiques ne sont pas disponibles sur tous les modèles.

BACS CLIMATISÉS

Conservez les fruits et les légumes dans des compartiments séparés pour faciliter l'accès. On doit essuyer l'excédent d'humidité pouvant s'accumuler dans le fond ou le dessous des tiroirs.

Pour retirer un bac :

Glissez le bac vers l'extérieur jusqu'à ce qu'il s'arrête, soulevez-le vers le haut en dépassant la position d'arrêt puis tirez-le vers l'avant.



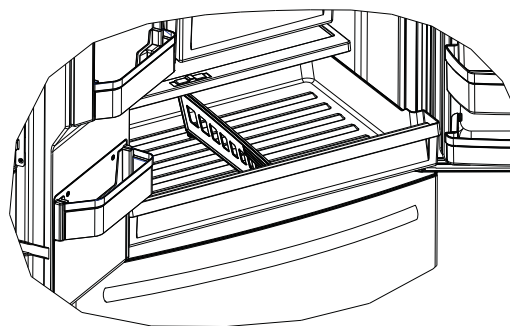
BAC PLEINE LARGEUR

Pour retirer le bac :

1. Tirez le bac vers l'extérieur jusqu'à la position d'arrêt.
2. Soulevez l'avant du tiroir puis tirez-le vers l'extérieur.

Pour replacer le bac :

1. Placez d'abord l'arrière du tiroir puis faites pivoter l'avant vers le bas pour le déposer sur les glissières.
2. Poussez le tiroir au fond jusqu'à la position fermée.



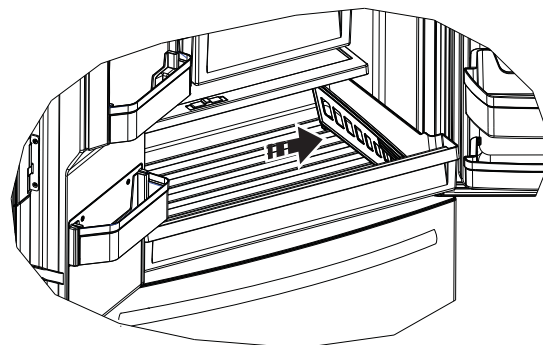
RETIRER ET REMPLACER LE SÉPARATEUR DE TIROIR

Pour retirer :

1. Tirez le tiroir vers l'extérieur jusqu'à la position d'arrêt.
2. Glissez le séparateur vers la droite pour le sortir du bac.

Pour replacer :

Inversez les étapes 1 et 2 pour replacer le séparateur.

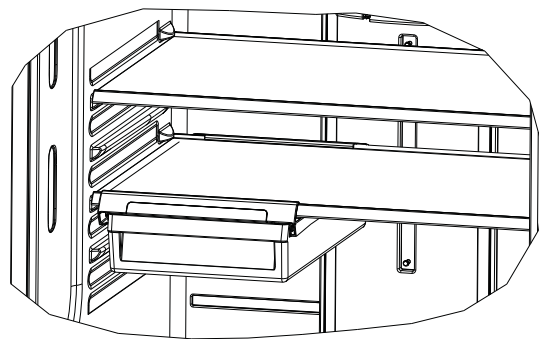


UTILISATION DU RÉFRIGÉRATEUR

BAC À COLLATION MOBILE

Ce bac peut se déplacer pour répondre à vos besoins.

Pour le retirer, glissez le bac vers l'extérieur jusqu'à la position d'arrêt, soulevez-le en dépassant la position d'arrêt, puis de nouveau pour le sortir.



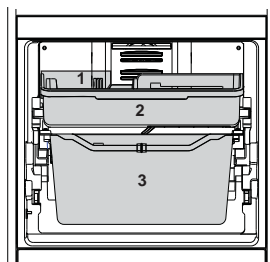
TIROIR DU CONGÉLATEUR

Toutes les caractéristiques ne sont pas disponibles sur tous les modèles.

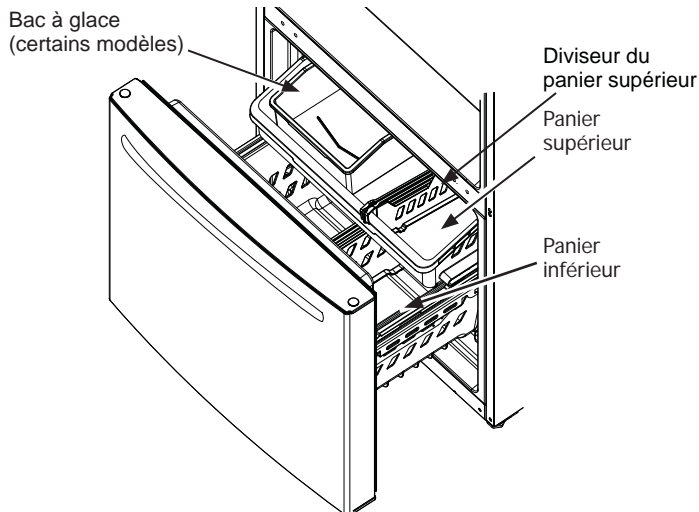
PANIER DU CONGÉLATEUR

1. Un bac à glace dans le panier supérieur (certains modèles).
2. Un panier pleine largeur supérieur.
3. Un panier pleine largeur inférieur (avec séparateur – certains modèles).

REMARQUE : Ne remplissez pas les paniers au-delà de leur bord. Ils pourraient se coincer en les ouvrant ou fermant.



L'aspect et les caractéristiques peuvent varier



Retrait du panier supérieur

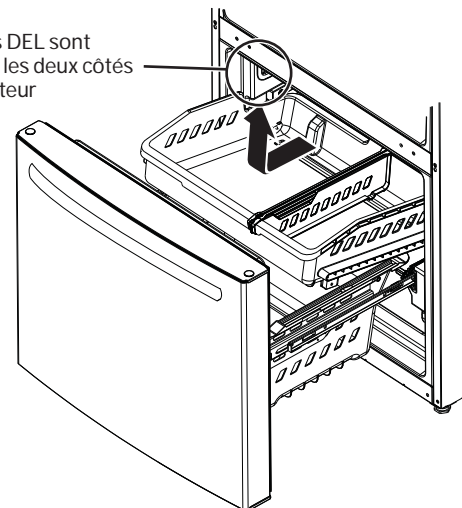
Pour retirer le panier pleine largeur supérieur sur les modèles à tiroir de congélateur :

1. Tirez le panier vers l'extérieur jusqu'à la position d'arrêt.
2. Soulevez le panier pour le dégager des glissières.

Lors de la remise en place du panier, assurez-vous que celui-ci est bien monté sur les rails latéraux, par-dessus les glissières du panier inférieur.

REMARQUE : Assurez-vous de toujours fermer ce panier à fond.

Les lampes DEL sont situées sur les deux côtés du congélateur



UTILISATION DU RÉFRIGÉRATEUR

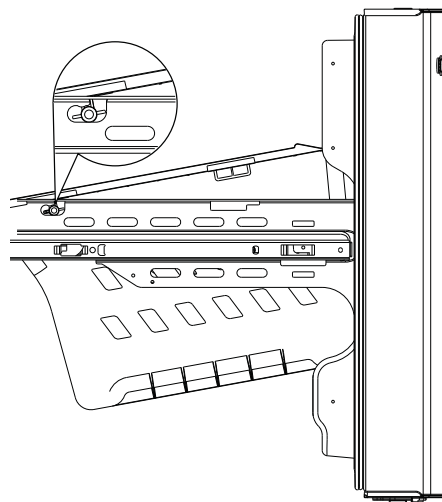
RETRAIT DU PANIER INFÉRIEUR

Pour retirer le panier pleine largeur inférieur sur les modèles à tiroir de congélateur :

1. Tirez le panier vers l'extérieur jusqu'à ce qu'il s'arrête.
2. Retirez le panier de congélateur supérieur.
3. Le panier de congélateur inférieur repose sur les languettes intérieures des glissières du tiroir.
4. Soulevez l'avant du panier et tirez vers l'avant.
5. Dégagez la tige de la fente pour sortir le panier.

Lors de la remise en place du panier pleine largeur inférieur, penchez celui-ci vers le bas puis baissez-le dans le tiroir. Faites pivoter le panier en position horizontale puis poussez-le vers le bas. Assurez-vous de replacer la tige dans la fente.

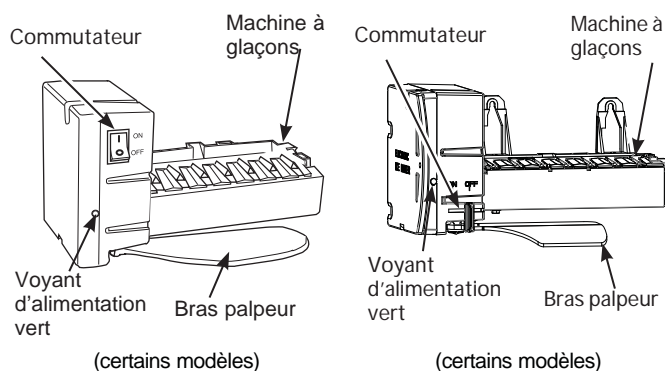
REMARQUE : Veillez toujours à ce que le panier repose sur les languettes du support avant de le glisser dans le congélateur.



MACHINE À GLAÇONS AUTOMATIQUE

Un réfrigérateur nouvellement installé prendra de 12 à 24 heures pour commencer à fabriquer de la glace.

La machine à glaçons produira sept cubes par cycle, soit environ 100 à 130 cubes pendant une période de 24 heures, selon la température du congélateur, la température ambiante, le nombre d'ouvertures de porte et d'autres conditions d'emploi.



Si l'on se sert du réfrigérateur avant de raccorder l'alimentation d'eau à la machine à glaçons, mettez l'interrupteur à la position OFF (arrêt).

Une fois le réfrigérateur raccordé à l'alimentation d'eau, mettez l'interrupteur à la position ON.

La machine à glaçons se remplit d'eau lorsqu'elle se refroidit à 15 °F (-10 °C).

Un réfrigérateur nouvellement installé prendra de 12 à 24 heures pour commencer à fabriquer de la glace.

Un bourdonnement peut se faire entendre à chaque fois que la machine se remplit d'eau.

Jetez les premiers lots de glace pour permettre à la conduite d'eau de se nettoyer.

Assurez-vous que rien ne gêne le mouvement du bras palpeur.

Lorsque le bac se remplit au niveau du bras palpeur, la machine cesse de produire de la glace. Il est normal que des cubes s'agglutinent.

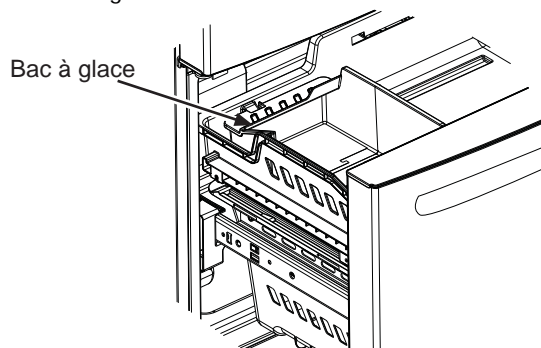
Si la glace n'est pas utilisée souvent, les vieux cubes deviendront opaques et rétrécis, et leur goût, insipide.

REMARQUE : Dans les maisons où la pression est inférieure à la normale, vous entendrez la machine à glaçons démarrer plusieurs fois pour produire un lot de glace.

ATTENTION

Pour réduire le risque de blessure, évitez de toucher les pièces mobiles du mécanisme de la machine à glaçons ainsi que l'élément chauffant qui libère les cubes. Ne placez ni les doigts ni les mains sur le mécanisme de la machine à glaçons lorsque le réfrigérateur est branché.

Du rangement pour la glace se trouve du côté gauche du panier supérieur du congélateur. Tirez le panier supérieur vers l'avant pour retirer le bac à glace.



ENTRETIEN DU RÉFRIGÉRATEUR

ACIER INOXYDABLE RÉSISTANT AUX EMPREINTES DIGITALES* , ACIER INOXYDABLE NOIR, ARDOISE, ARDOISE FONÇÉE, SURFACE PINTE - Directives pour nettoyer les surfaces extérieures, les poignées de porte et les garnitures

⚠ N'utilisez PAS de nettoyants pour acier inoxydable sur les surfaces de porte. ⚠

IMPORTANT : L'utilisation de produits inappropriés peut endommager le fini extérieur de l'acier inoxydable résistant aux empreintes digitales et de l'acier inoxydable noir. Veuillez suivre ces instructions et utiliser seulement les articles appropriés ci-dessous pour nettoyer les surfaces de votre électroménager.

- Afin de prévenir leur détérioration, nettoyez les surfaces intérieure/extérieure avec de l'eau tiède, un savon ou un détergent doux, et un linge doux ou en microfibras.
- Afin de prévenir les rayures et les taches d'eau, séchez les surfaces de l'électroménager en les essuyant avec un chiffon doux propre ou un linge en microfibras.

UTILISER	NE PAS UTILISER	
Linge ou éponge doux et propres Chiffon en microfibras	Linges abrasifs, essuie-tout, éponges à récurer (avec ou sans savon), tampons à récurer ou en laine d'acier.	
Détergent doux dans eau chaude.	Poudres, liquides, ou vaporisateurs abrasifs. Vaporisateurs pour fenêtres, ammoniac ou javel Nettoyants à base d'agrumes ou de plantes. Nettoyants acides ou à base de vinaigre.	Nettoyants pour le four. Nettoyants alcalins Nettoyants pour acier inoxydable

*Nettoie facilement les taches et les empreintes de doigt.

ACIER INOXYDABLE - Directives pour nettoyer les surfaces extérieures, les poignées de porte et les garnitures

REMARQUE : Ne laissez PAS un nettoyant pour acier inoxydable venir au contact de pièces en plastique telles que garnitures, quincaillerie de poignée ou doublures. Si un contact non intentionnel d'un nettoyant avec une pièce en plastique survient, nettoyez la pièce en plastique avec une éponge et un détergent doux mélangé dans l'eau chaude.

UTILISER	NE PAS UTILISER
Linge ou éponge doux et propres	Linges abrasifs, éponges à récurer, tampons à récurer ou en laine d'acier.
Détergent doux dans eau chaude. Nettoyants pour acier inoxydable approuvés; visitez la boutique de pièces Haier Appliances pour des nettoyants pour acier inoxydable approuvés : Haierappliances.com ou appeler 877.337.3639 . On peut utiliser des nettoyants à base d'acide oxalique tels que Bar Keepers Friend Soft Cleanser™ pour éliminer la rouille de surface, le ternissement et les petites taches sur les surfaces en acier inoxydable seulement.	Poudres ou vaporisateurs abrasifs. Vaporisateurs pour fenêtres ou ammoniac. Nettoyants à base d'agrumes ou de plantes. Nettoyants acides ou à base de vinaigre. Nettoyants pour le four. Nettoyants qui contiennent de l'acétone (propanone). Tout nettoyant avec AVERTISSEMENT relatif au contact du plastique.

ENTRETIEN DU RÉFRIGÉRATEUR

Nettoyage de l'intérieur

Débranchez le réfrigérateur avant le nettoyage

Si cela n'est pas commode, essorez le surplus d'humidité de l'éponge ou du linge avant de nettoyer autour des interrupteurs, des lampes et des commandes.

Utilisez une cire pour électroménagers sur la surface intérieure entre les portes.

ATTENTION

Évitez de nettoyer les tablettes ou les couvercles en verre à l'eau chaude lorsqu'ils sont froids car ils peuvent éclater suite à un choc ou un écart de température soudain. Le verre trempé est conçu pour éclater en très petites pièces s'il se brise

Utilisez une solution d'eau chaude et de bicarbonate de soude (environ une cuillère à soupe ou 15 ml) dans 1 litre d'eau. Cette solution nettoie tout en neutralisant les odeurs. Rincez et essuyez pour sécher.

DERRIÈRE LE RÉFRIGÉRATEUR

Prenez un soin particulier lorsque vous éloignez le réfrigérateur du mur. Tous les types de revêtement de sol peuvent être endommagés, en particulier ceux qui sont coussinés ou dont la surface est gaufrée.

Soulevez les pieds de nivellement situés dans le bas à l'avant du réfrigérateur.

Déplacez le réfrigérateur en ligne droite pour l'éloigner ou le repousser à sa place. Un mouvement latéral risque d'endommager le revêtement de plancher ou le réfrigérateur.

Abaissez les pieds de nivellement jusqu'à ce qu'ils touchent le sol.

En poussant le réfrigérateur en place, veillez à ne pas le faire rouler sur le cordon d'alimentation ou la conduite d'eau.

DÉPART EN VACANCES

Lorsque vous vous absentez durant une longue période, retirez les aliments et débranchez le réfrigérateur. Nettoyez l'intérieur avec une solution d'une cuillère à soupe (15 ml) de bicarbonate de soude par litre d'eau. Laissez les portes ouvertes.

Si la température risque de descendre sous le point de congélation, demandez à un technicien qualifié de vidanger la conduite d'eau afin de prévenir les dégâts sérieux causés par l'inondation.

- 1) Débranchez le réfrigérateur.
- 2) Videz le bac à glace.
- 3) Coupez l'alimentation d'eau.

Si vous coupez l'alimentation d'eau, éteignez la machine à glaçons.

Au retour des vacances, remplacez le filtre à eau.

DÉMÉNAGEMENT

À l'aide de ruban adhésif, immobilisez tous les éléments amovibles tels que tablettes et tiroirs pour éviter de les endommager.

Si vous utilisez un diable pour déplacer le réfrigérateur, ne laissez pas le devant ou l'arrière de l'appareil reposer contre le diable pour ne pas l'endommager.

Manipulez le réfrigérateur par ses côtés seulement.

Assurez-vous de maintenir le réfrigérateur debout pendant le déménagement.

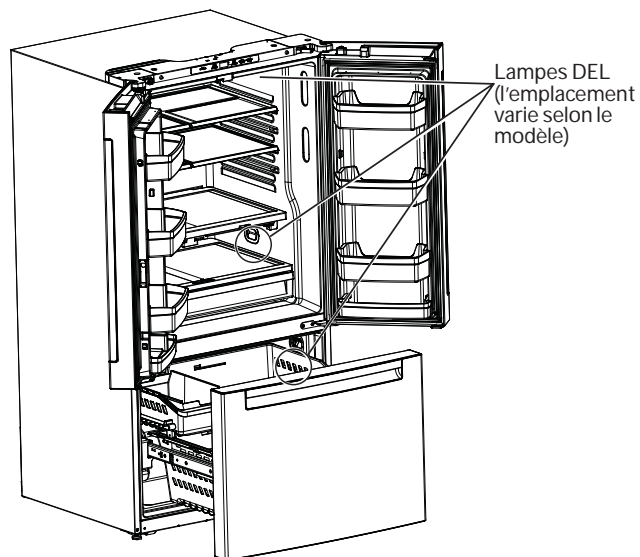
REPLACEMENT DES LAMPES

L'éclairage DEL du compartiment réfrigérateur des modèles à deux portes est situé dans le centre supérieur et sur les côtés gauche et droit au-dessus des bacs climatisés. L'éclairage DEL des modèles à une porte est situé dans le haut du compartiment réfrigérateur.

Des lampes DEL sont aussi situées dans le haut des côtés gauche et droit du congélateur sur tous les modèles.

Un technicien agréé devra remplacer l'éclairage DEL.

Si ce composant doit être remplacé, composez 877.470.9174.



DÉPANNAGE

Consultez d'abord les tableaux qui suivent et vous pourrez peut-être éviter de faire appel à un réparateur.

PROBLÈME	CAUSE(S) POSSIBLE(S)	SOLUTION
Le témoin de l'état du filtre passe au ambre	Le filtre approche son état d'expiration.	Appuyez sur la touche Filter Status pour afficher la durée de vie restante.
Le témoin de l'état du filtre passe au rouge	L'état d'expiration du filtre est atteint.	Appuyez sur la touche Filter Status pour afficher la durée de vie restante. Si l'afficheur indique 0%, il faut remplacer le filtre. Lorsque l'appareil a détecté un nouveau filtre (le filtre a été remplacé), le témoin de l'état du filtre clignote 3 fois puis demeure éteint pour indiquer que le remplacement du filtre a réussi.
LEAK (fuite) ou défilement de « LEAK » sur l'afficheur L'eau est désactivée Le témoin de l'état du filtre clignote en rouge Son de bourdonnement	Fuite de filtre détectée	Remplacez le filtre. Essuyez le filtre et la zone environnante si de l'eau a coulé au remplacement du filtre.
« Err » apparaît sur l'afficheur L'eau est désactivée Le témoin de l'état du filtre clignote en rouge Son de bourdonnement	Le filtre n'est pas détecté. Aucune communication avec le filtre.	Assurez-vous d'avoir le filtre XWFE et non le XWF. Vérifiez l'absence de rayures ou de dommages à l'étiquette du filtre. Remplacez le filtre si l'étiquette est endommagée.
Le réfrigérateur émet des bips quand on presse la palette du distributeur.	Filtre non installé correctement. Fuite d'eau au filtre.	Remplacez le filtre ou assurez-vous que le filtre est correctement installé (voir la section sur le filtre à eau).
Le réfrigérateur ne fonctionne pas	Le cycle de dégivrage est en cours.	Attendez environ 30 minutes afin que le cycle de dégivrage se termine.
	Une des commandes ou les deux est sur la position OFF (arrêt).	Réglez les commandes de température à une température plus basse.
	Le réfrigérateur est débranché.	Enfoncez complètement la fiche de l'appareil dans la prise murale.
	Le fusible est grillé/le disjoncteur est déclenché.	Remplacez le fusible ou réenclenchez le disjoncteur.
	Votre réfrigérateur est en mode de démonstration.	Débranchez votre réfrigérateur et rebranchez-le.
Vibration ou bruit métallique (une légère vibration est normale)	Vous devez ajuster les jambes de nivellement.	Voir la section Mettre le réfrigérateur de niveau.
Le moteur fonctionne pendant de longues périodes ou il s'allume et s'éteint fréquemment en alternance. (Les appareils modernes dotés de compartiments réfrigérateur et congélateur de grand volume exigent un temps de fonctionnement plus long. Ils démarrent et s'arrêtent souvent pour maintenir des températures uniformes.)	Ceci est normal lorsque le réfrigérateur vient d'être branché.	Attendre 24 heures pour que le réfrigérateur refroidisse complètement.
	Ceci est fréquent lorsqu'une grande quantité d'aliments a été placée dans le réfrigérateur.	C'est normal.
	La porte est restée ouverte.	Un paquet empêche peut-être la fermeture de la porte.
	Temps chaud ou ouverture fréquente des portes.	C'est normal.
	La température est réglée sur la température la plus basse.	Voir la section Commandes
Température trop élevée dans le congélateur ou le réfrigérateur	La température n'est pas réglée sur une température assez basse	Voir la section Commandes
	Temps chaud ou ouverture fréquente des portes.	Réglez la commande des températures sur une température plus basse. Consultez la section Commandes
	La porte est restée ouverte.	Un paquet empêche peut-être la fermeture de la porte.
Givre sur les aliments surgelés (il est normal que du givre se forme à l'intérieur du paquet)	La porte est restée ouverte.	Un paquet empêche peut-être la fermeture de la porte.
	Ouverture trop fréquente ou trop longue des portes.	C'est normal.
La séparation entre le réfrigérateur et le congélateur est chaude	Le système automatique d'économie d'énergie fait circuler du liquide tiède à l'avant du compartiment de congélation.	Ceci permet d'éviter des problèmes de condensation sur l'extérieur de l'appareil.
Bourdonnement fréquent	Le commutateur de la machine à glaçons est dans la position marche, mais l'arrivée d'eau au réfrigérateur n'a pas été raccordée.	Réglez le commutateur sur la position arrêt, car le garder dans la position marche endommagera le robinet d'eau.
Lueur orange dans le congélateur	Le cycle de dégivrage est en cours.	C'est normal.

DÉPANNAGE

Consultez d'abord les tableaux qui suivent et vous pourrez peut-être éviter de faire appel à un réparateur.

PROBLÈME	CAUSE(S) POSSIBLE(S)	SOLUTION
La machine à glaçons ne fonctionne pas	L'interrupteur la machine à glaçons est à la position OFF/arrêt.	Réglez l'interrupteur d'alimentation à la position ON/marche.
	L'alimentation en eau est coupée ou n'est pas raccordée.	Voir la section Installation de la conduite d'eau
	Le compartiment congélateur est trop chaud.	Attendez 24 heures pour que la température du réfrigérateur se stabilise.
	Un amas de glaçons dans le bac provoque l'arrêt de la machine à glaçons.	Nivelez les glaçons à la main.
	Cubes de glace sont coincés dans le distributeur.	Débranchez le distributeur, enlevez les cubes et rebranchez le distributeur.
	Filtre non installé correctement. Fuite d'eau au filtre.	Remplacez le filtre ou assurez-vous que le filtre est correctement installé (voir la section sur le filtre à eau).
Le congélateur refroidit, mais pas le compartiment réfrigérateur	Normal, lorsque le réfrigérateur est branché la première fois ou suite à une panne prolongée.	Attendez 24 heures pour atteindre la température sélectionnée dans les deux compartiments.
Odeur/saveur anormale des glaçons	Il faut nettoyer le bac à glaçons.	Videz et lavez le bac à glaçons. Jetez les vieux glaçons.
	Des aliments ont transmis leur odeur/goût aux glaçons.	Emballez bien les aliments.
	Il faut nettoyer l'intérieur du réfrigérateur.	Voir la section Entretien et nettoyage
Petits glaçons ou glaçons creux à l'intérieur	Le filtre à eau est bouché.	Remplacez le filtre à cartouche par un neuf ou par le bouchon.
Formation lente des glaçons	La porte est restée ouverte.	Vérifiez si l'emballage garde la porte ouverte.
	La commande de température du congélateur n'est pas réglée à une température assez froide.	Voyez la section Commandes.
Mauvais goût/odeur de l'eau	Le distributeur d'eau n'a pas été utilisé depuis longtemps.	Faites couler l'eau jusqu'à ce que l'eau du système soit remplacé par de l'eau fraîche.
L'eau versée dans le premier verre est chaude	Normal lorsque le réfrigérateur est initialement installé.	Attendez 24 heures pour que la température du réfrigérateur se stabilise.
	Le distributeur d'eau n'a pas été utilisé depuis longtemps.	Faites couler l'eau jusqu'à ce que l'eau du système soit remplacé par de l'eau fraîche.
	Le réservoir d'eau vient d'être vidangé.	Attendez plusieurs heures pour que l'eau refroidisse.
Le distributeur d'eau ne fonctionne pas	L'alimentation en eau est coupée ou n'est pas raccordée.	Voyez la section Installer la conduite d'eau.
	Le filtre à eau est bouché.	Remplacez le filtre à cartouche ou retirez le filtre et installez le bouchon.
	Il y a de l'air dans la conduite d'eau.	Appuyez sur le bras gicleur durant au moins deux minutes.
L'eau jaillit du distributeur	La cartouche du filtre vient d'être installée.	Faites couler l'eau du distributeur pendant 3 minutes (environ 6 litres).
La machine à glaçons fonctionne, mais ne distribue pas d'eau	L'eau du réservoir est gelée.	Appelez un réparateur.
	Le réglage de commande est trop froid.	Réglez le commande de température sur un réglage plus chaud.
Pas de production d'eau ou de glace	La conduite d'eau ou le robinet d'arrêt est bouché.	Appelez un plombier.
	Le filtre à eau est bouché.	Remplacez la cartouche du filtre avec une nouvelle cartouche ou installez le bouchon du filtre.
	Filtre non installé correctement. Fuite d'eau au filtre.	Remplacez le filtre ou assurez-vous que le filtre est correctement installé (voir la section sur le filtre à eau).
Odeur dans le réfrigérateur	Des aliments ont transmis leur odeur au réfrigérateur.	Les aliments à odeur forte doivent être emballés hermétiquement. Gardez une boîte ouverte de bicarbonate de soude dans le réfrigérateur.
	Il faut nettoyer l'intérieur.	Voir la section Entretien et nettoyage
De la condensation s'accumule à l'extérieur	Cela n'est pas inhabituel pendant les périodes de forte humidité.	Essuyez bien la surface extérieure.
De la condensation s'accumule à l'intérieur (par temps humide, l'ouverture des portes laisse entrer de l'humidité)	Les portes sont ouvertes trop fréquemment ou pendant trop longtemps.	C'est normal.
	Étant donné le taux d'humidité plus élevé dans le compartiment du réfrigérateur, il est possible d'y déceler la présence de brouillard ou de petites quantités de buée de temps à autre.	Ce phénomène est normal et son apparition sera fonction des variations de la charge d'aliments et des conditions ambiantes. Sécher à l'aide d'un essuie-toutsi désiré.
L'éclairage intérieur ne fonctionne pas	Il n'y a pas de courant au niveau	Remplacez le fusible ou réenclenchez le disjoncteur.
	Pour les lampes DEL	Joindre le service à la clientèle - voir Remplacement des lampes.

DÉPANNAGE

Consultez d'abord les tableaux qui suivent et vous pourrez peut-être éviter de faire appel à un réparateur.

PROBLÈME	CAUSE(S) POSSIBLE(S)	SOLUTION
Air chaud à la base du réfrigérateur	Courant d'air normal provenant du moteur. Pendant le processus de réfrigération, il est normal que de la chaleur soit expulsée à la base du réfrigérateur. Certains revêtements de sol sont sensibles et peuvent se décolorer sous l'effet de cette température de fonctionnement normale qui est sans danger.	C'est normal.
Le réfrigérateur ne s'arrête jamais mais les températures sont normales	La fonction de dégivrage maintient le compresseur en marche au cours de l'ouverture des portes.	Ceci est normal. Le réfrigérateur passe sur cycle d'arrêt lorsque les portes ont été fermées pendant 2 heures.
Le réfrigérateur émet un signal sonore.	La porte est ouverte.	Fermez la porte.
La porte ne se ferme pas correctement.	Le joint de la porte du côté des charnières est collé ou replié.	Mettre une couche de cire de paraffine sur le joint de la porte.
La température présente n'est pas égale à celle affichée	L'appareil vient d'être branché.	Pour stabiliser le système, laissez 24 heures s'écouler.
	La porte est restée ouverte trop longtemps.	Pour stabiliser le système, laissez 24 heures s'écouler.
	Des aliments chauds ont été placés dans le réfrigérateur.	Pour stabiliser le système, laissez 24 heures s'écouler.
	Cycle de dégivrage en cours.	Pour stabiliser le système, laissez 24 heures s'écouler.
Le tiroir ne ferme pas seul	Vous devez ajuster les jambes de nivellement.	Voir la section Mettre le réfrigérateur de niveau.
Le tiroir du compartiment congélation s'ouvre quand la porte du réfrigérateur est fermée	C'est normal si, après s'être ouvert, le tiroir du compartiment congélation se referme tout seul.	Cela indique que le tiroir du compartiment congélation a un bon joint. Si la porte/le tiroir du compartiment congélation ne se referme pas automatiquement après s'être ouvert, consultez la section Problème : Le tiroir ne ferme pas seul, ci-dessus
Les aliments gèlent dans le compartiment réfrigération	Les aliments sont trop près de l'ouverture de circulation d'air à l'arrière du compartiment réfrigération.	Éloignez les aliments de l'ouverture de circulation d'air.
	Le réglage de votre réfrigérateur est trop froid.	Réglez votre réfrigérateur à une température plus chaude en sélectionnant une graduation à la fois.
L'eau coule du distributeur	Vous ne tenez pas le verre sous le distributeur suffisamment longtemps après avoir relâché le bouton.	Tenez le verre sous le distributeur pendant 2–3 secondes après avoir relâché le bouton du distributeur. L'eau peut continuer à couler après que vous ayez relâché le bouton.
	De l'air peut se trouver dans les conduites d'eau, causant l'égouttement après une distribution d'eau.	Faites écouler l'eau pendant au moins 2 minutes pour expulser l'air du système.
Mon écran indique tc	La fonction TurboCool est active.	Consultez la section Commandes
Le voyant lumineux du filtre d'eau a changé de couleur	C'est normal.	Consultez la section Filtre d'eau à cartouche - XWFE
Le voyant lumineux de filtre d'eau demeure rouge après un remplacement du filtre d'eau	Filtre non installé correctement. Fuite détectée. Utilisation d'un filtre périmé.	Assurez-vous d'avoir un filtre XWFE et non XWF. Vérifiez l'absence de rayures ou de dommages à l'étiquette du filtre. Remplacez le filtre si l'étiquette est endommagée. Consultez la section Filtre d'eau à cartouche - XWFE
Le voyant lumineux de filtre d'eau ne s'allume pas	C'est normal. Vous devez replacer le filtre quand le voyant indicateur de remplacement du filtre devient rouge.	Consultez la section Filtre d'eau à cartouche - XWFE
Les portes ne sont pas bien alignées	Il faut réaligner les portes.	Consultez la section Mettre les portes du réfrigérateur de niveau.
Les paniers se coincent lors de l'ouverture ou de la fermeture	Les paniers sont trop remplis.	Pour ouvrir : Enlevez certains produits du panier, lorsque celui-ci est ouvert aussi loin que possible. Repositionnez les produits laissés dans le panier et essayez de l'ouvrir à nouveau. Pour fermer : Repositionnez les produits dans le panier et enlevez tout produit placé au-dessus du bord du panier, puis fermez-le.

BRUITS DE FONCTIONNEMENT NORMAUX

Les réfrigérateurs plus récents font des bruits différents de ceux des anciens. Les réfrigérateurs modernes présentent plus de fonctions et sont plus avancés sur le plan technologique.

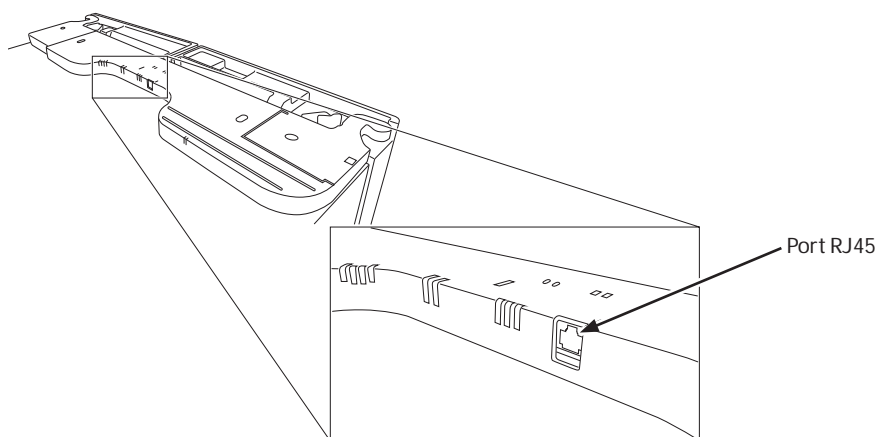
- Le nouveau compresseur à rendement élevé peut fonctionner plus longtemps et plus vite que votre ancien réfrigérateur et vous pouvez entendre un son modulé ou un ronflement aigu pendant son fonctionnement.
- Vous pouvez entendre un sifflement lorsque les portes se ferment. Cela vient de l'équilibrage de pression dans le réfrigérateur.
- Vous pouvez entendre les ventilateurs tourner à hautes vitesses. Cela se produit lorsque le réfrigérateur vient d'être branché, lorsque les portes sont ouvertes fréquemment ou lors de l'ajout d'une grande quantité d'aliments dans les compartiments congélateur ou réfrigérateur. Les ventilateurs permettent de maintenir les bonnes températures.
- Les ventilateurs changent de vitesses pour assurer des économies d'énergie et un refroidissement optimaux.
- Vous pouvez entendre des craquements ou des claquements lorsque le réfrigérateur est branché pour la première fois. Cela se produit lorsque le réfrigérateur se refroidit à la bonne température.
- L'expansion et la contraction des serpentins de refroidissement pendant et après le dégivrage peuvent causer un craquement ou un claquement.
- Sur les modèles équipés d'une machine à glaçons, après un cycle de fabrication de glaçons, vous pouvez entendre les glaçons tomber dans le bac.
- Sur les modèles munis d'un distributeur, le mouvement des conduites peut être audible lors de la première distribution d'eau et après le relâchement du bouton du distributeur.
- Le passage de l'agent frigorigère dans les serpentins de refroidissement du congélateur peut être accompagné d'un gargouillement semblable à celui de l'eau en ébullition.
- L'eau tombant sur l'élément chauffant de dégivrage peut faire un bruit de grésillement, de claquement ou de bourdonnement pendant le cycle de dégivrage.
- Un bruit de suintement d'eau peut être entendu pendant le cycle de dégivrage lorsque la glace de l'évaporateur fond et tombe dans le bac de récupération.
- Fermer la porte peut causer un gargouillement en raison de l'équilibrage de pression.

COMMUNICATIONS DES ÉLECTROMÉNAGERS (sur certains modèles)

GE WiFi Connect en option*

Votre réfrigérateur est compatible avec la connexion **Wi-Fi de GE** à l'aide du module **GE ConnectPlus**. Pour la connexion à Internet, vous devez fixer le module par le port de communication de l'électroménager. Le module **GE ConnectPlus** vous permet de communiquer avec votre électroménager par téléphone intelligent à des fins de surveillance, de commande et de notification. Veuillez visiter [GEAppliances.com /connect](http://GEAppliances.com/connect) pour obtenir plus d'informations sur les fonctions de connexion pour électroménagers, les applications compatibles avec votre téléphone intelligent et les points de vente du module **GE ConnectPlus**.**

Branchez le module ConnectPlus dans le port RJ45 situé sur la face arrière du couvercle de la commande supérieure du réfrigérateur. Nul besoin de retirer le couvercle.



Connectivité WiFi : Pour obtenir de l'assistance concernant votre électroménager ou la connectivité en réseau **ConnectPlus** (pour modèles à fonctionnalité WiFi intégrée ou optionnelle), visitez HaierAppliances.ca.

RENSEIGNEMENTS RÉGLEMENTAIRES

Déclaration de conformité de la FCC/IC :

Cet appareil est conforme aux prescriptions de la partie 15 des règles de la FCC. Cet appareil contient un ou des émetteurs/récepteurs exempts de licence qui satisfont les normes radioélectriques de Innovation, Sciences et Développement économique Canada relatives aux appareils exempts de licence RSS(s). Le fonctionnement de cet équipement est assujéti aux deux conditions suivantes :

1. Cet appareil ne doit pas causer de brouillage préjudiciable.
2. Cet appareil doit accepter tout brouillage qu'il reçoit, y compris celui pouvant entraîner un fonctionnement indésirable.

Cet équipement a été testé et déclaré conforme aux limites imposées pour un appareil numérique de Classe B, conformément à la partie 15 de la réglementation FCC. Ces limites sont définies afin d'assurer une protection raisonnable contre le brouillage nuisible dans une installation résidentielle. Cet équipement génère, utilise et émet des fréquences radio qui, en cas d'une installation erronée ou d'une utilisation non-conforme aux instructions de ce manuel d'utilisation peuvent causer un brouillage nuisible aux communications radio. Il n'y a cependant aucune garantie qu'un brouillage nuisible ne se produira pas dans une installation donnée. Si cet équipement cause un brouillage nuisible sur votre poste radio ou de télévision, ce que vous pouvez déterminer en éteignant et en rallumant votre équipement, il est conseillé à l'utilisateur d'essayer de pallier à ce brouillage nuisible en prenant l'une ou l'autre des mesures suivantes :

- Réorienter ou repositionner l'antenne de réception.
- Augmenter la distance entre l'équipement et le récepteur.
- Brancher l'équipement dans une prise d'un circuit qui diffère de celui auquel le récepteur est branché.
- Consulter le revendeur ou un technicien en radio-télévision pour obtenir de l'aide.

Étiquetage : Les modifications non explicitement approuvées par le fabricant peuvent annuler le droit de l'utilisateur de se servir de cet équipement.

Module ConnectPlus seulement (ou module de communication similaire)

Exposition aux radio-fréquences - Cet appareil n'est autorisé qu'à des fins d'application mobile. Une distance d'au moins 20 cm entre le module **ConnectPlus** et le corps de l'utilisateur doit être maintenue en tout temps.

*Certains modèles seulement **Pour les États-Unis, leurs territoires, et Canada seulement.

CERTIFICAT DE GARANTIE DE LA CARTOUCHE XWFE DU FILTRE À EAU

Communiquez avec nous sur HaierParts.com, or ou appelez le 877.337.3639.

Pendant la période de garantie de :	Nous remplacerons gratuitement :
Trente jours A compter de la date d'achat initial	Toute pièce de la cartouche filtrante qui s'avère défectueuse en raison d'un défaut de matériau ou de fabrication pendant cette période de garantie de trente jours.*

Ce qui n'est pas couvert :

- Les déplacements à votre domicile pour vous expliquer l'utilisation de ce produit.
- Une installation incorrecte.
- Une panne du produit par abus d'utilisation, par mauvaise utilisation, par modification ou s'il a été utilisé dans un but autre que celui pour lequel il a été fabriqué, ou s'il a été utilisé à des fins commerciales.
- Le remplacement des fusibles ou le réenclenchement du disjoncteur du domicile.
- Le remplacement de la cartouche filtrante à cause d'une pression d'eau en dehors de la gamme de fonctionnement recommandée ou à cause d'une concentration excessive de sédiments dans l'eau d'alimentation.
- Tout dommage causé par accident, incendie, inondation ou catastrophe naturelle.
- Tout dommage fortuit ou indirect causé par des défauts éventuels de cet appareil.

EXCLUSION DES GARANTIES TACITES :

Votre recours exclusif est l'échange du produit suivant les modalités de la Garantie Limitée. Toutes garanties tacites, y compris les garanties de valeurs marchandes ou d'adéquation à des fins particulières, sont limitées à une durée de six mois ou à la durée la plus courte autorisée par la loi.

Cette garantie est étendue à l'acheteur d'origine et aux propriétaires suivants pour tout produit acheté pour une utilisation domestique aux Etats-Unis. En Alaska, cette garantie exclut le coût d'expédition ou de dépannage à votre domicile.

Certains états n'acceptent pas d'exclusion ou de limites aux dommages indirects consécutifs. Certains droits particuliers vous sont dévolus en vertu de la présente garantie et peuvent s'accompagner d'autres droits qui varient d'un état à un autre. Pour connaître vos droits, veuillez consulter votre bureau local ou le bureau d'état des affaires aux consommateurs ou le Procureur Général de votre état.

Pour les achats effectués en Iowa : Ce formulaire doit être signé et daté par l'acheteur et le vendeur avant la réalisation de cette vente.

Ce formulaire doit être conservé au dossier par le vendeur pendant une période minimale de deux ans.

Acheteur :

Nom _____

Adresse _____

Ville _____ État _____ Code postal _____

Signature _____ Date _____

Vendeur :

Nom _____

Adresse _____

Ville _____ État _____ Code postal _____

Signature _____ Date _____

* Si votre pièce Haier s'avère défectueuse en raison d'un défaut de fabrication dans les trente jours à compter de la date d'achat initiale, nous vous fournirons gratuitement une nouvelle pièce, ou, à notre gré, une pièce reconstruite. Renvoyez la pièce défectueuse au fournisseur de pièces auprès duquel cette pièce a été achetée avec une copie de la preuve d'achat de la pièce. Si la pièce est défectueuse et n'indique aucun signe d'une utilisation abusive, celle-ci sera échangée. La garantie ne couvre pas la défaillance de pièces qui sont endommagées en votre possession, sont utilisées de façon abusive ou ont été mal installées. Elle ne couvre pas les frais de retour de la pièce au fournisseur auprès duquel elle a été achetée. Elle ne couvre pas non plus le coût de main d'oeuvre pour retirer ou installer cette pièce pour diagnostiquer la panne. Elle ne couvre pas les pièces utilisées dans les produits à usage commercial, sauf dans le cas des équipements de climatisation. En aucun cas, Haier ne peut être tenu responsable des dommages indirects.

Garant : GE Appliances, aHaier company

Pour bénéficier du service de réparation sous garantie, une preuve de la date d'achat initial est nécessaire.

FICHE TECHNIQUE DE PERFORMANCE

MODÈLE : GE APPLIANCES XWFE

- Système certifié par l'IAPMO R&T en vertu des normes 42, 53, 401 et P473 de la NSF/ANSI relatives à la réduction des allégations spécifiées sur la fiche technique de rendement et le site iapmort.org.
- Le rendement réel peut varier selon les conditions locales de l'eau.

Substance testée e pour réduction	Concentration d'essai de l'influent (mg/L)	Concentration max. admissible dans l'eau du produit (mg/L)	Réduction moy. (%)
Goût et odeur chlore	2.0 mg/L +/- 10%	N/A	96.9
Goût et odeur chloramine	3.0 mg/L +/- 10%	0.5	96.9
Particules, Classe I	Au moins 10 000/mL	N/A	91.4
Oocystes	50,000/L	N/A	>99.99
Plomb	0.15	0.01	98.85
Mercuré	0.006	0.002	96.3
Amiante	107 à 108 fibres/L	N/A	>99
Toxaphène	0.015 +/- 10%	0.003	86.95
SCC (substitut de chloroforme C	0.300	0.015	99.7
Alachlore	0.050	0.001	> 98
Atrazine	0.100	0.003	> 97
Benzène	0.081	0.001	> 99
Carbofuran	0.190	0.001	> 99
tétrachlorure de carbone	0.078	0.0018	98
chlorobenzène	0.077	0.001	> 99
chloropicrine	0.015	0.0002	99
2, 4-D	0.110	0.0017	98
dibromochloropropane (DBCP)	0.052	0.00002	> 99
o-Dichlorobenzène	0.08	0.001	> 99
p-Dichlorobenzène	0.040	0.001	> 98
1,2-dichloroéthane	0.088	0.0048	95
1,1-dichloroéthylène	0.083	0.001	> 99
cis-1,2-dichloroéthylène	0.170	0.0005	> 99
trans-1,2-dichloroéthylène	0.086	0.001	> 99
1,2-dichloropropane	0.080	0.001	> 99
cis-1,3-dichloropropylène	0.079	0.001	> 99
dinosebe	0.170	0.0002	99
Endrine	0.053	0.00059	99
Éthylbenzène	0.088	0.001	> 99
éthylène dibromide (EDB)	0.044	0.00002	> 99
bromochloroacétonitrile	0.022	0.0005	98
dibromoacétonitrile	0.024	0.0006	98
dichloroacétonitrile	0.0096	0.0002	98
trichloroacétonitrile	0.015	0.0003	98
1,1-dichloro-2-propanone	0.0072	0.0001	99
1,1,1-trichloro-2-propanone	0.0082	0.0003	96
heptachlore (H-34, Heptox)	0.025	0.00001	>99
heptachloreépoxyde	0.0107	0.0002	98
hexachlorobutadiène	0.044	0.001	> 98
hexachlorocyclopentadiène	0.060	0.000002	> 99
Lindane	0.055	0.00001	> 99
méthoxychlore	0.050	0.0001	> 99
pentachlorophénole	0.096	0.001	> 99
slmazine	0.120	0.004	> 97
Styrène	0.150	0.0005	> 99
1,1,2,2-tétrachloroéthane	0.081	0.001	> 99
Tétrachloroéthylène	0.081	0.001	> 99
Toluène	0.078	0.001	> 99
2,4,5-TP (silvex)	0.270	0.0016	99
Acide tribromoacétique	0.042	0.001	> 98
1,2,4-Trichlorobenzène	0.160	0.0005	> 99
1,1,1-trichloroéthane	0.084	0.0046	95
1,1,2-trichloroéthane	0.150	0.0005	> 99
trichloroéthylène	0.180	0.0010	> 99
bromoforme	0.300	0.015	95
bromodichlorométhane	0.300	0.015	95
chlorodibromométhane	0.300	0.015	95
xylènes	0.070	0.001	>99
Méprobamate	400 +/- 20%	60	95.5
Aténolol	200 +/- 20%	30	95.9
Carbamazépine	1400 +/- 20%	200	98.6
diéthyltoluamide (DEET)	1400 +/- 20%	200	98.6
Métolachlore	1400 +/- 20%	200	98.7
Triméthoprimé	140 +/- 20%	20	96.1
Linuron	140 +/- 20%	20	96.6
TCEP	5000 +/- 20%	700	98.1
T CPP	5000 +/- 20%	700	98.1
Phénytoïne	200 +/- 20%	30	96
Ibuprofène	400 +/- 20%	60	95.9
Naproxène	140 +/- 20%	20	96.5
Estrone	140 +/- 20%	20	97.1
Bisphénol A	2000 +/- 20%	300	99.1
Nonylphénol	1400 +/- 20%	200	97.3

Conditions d'application/Paramètres d'alimentation d'eau

Débit de service	0,5 gal./min. (1,89 l/min.)
Alimentation d'eau	Eau potable
Pression d'eau	25-120 psi (172-827 kPa)
Température de l'eau	33°F-100°F (0.6°C-38°C)
Capacité	170 gallons (643,5 liters)

Le rendement du produit sera conforme à ce qui est promis à condition que l'installation, l'entretien et le remplacement du filtre s'effectuent selon les recommandations du fabricant.

REMARQUE : Bien que les tests aient été réalisés dans des conditions Bien que les tests aient été réalisés dans des conditions de laboratoire.

Cartouche de rechange : XWFE. Pour une estimation du coût des pièces de rechange, veuillez composer le 800.661.1616 ou visitez notre site Web.Haierparts.com.

⚠ AVERTISSEMENT Pour réduire le risque associé à l'ingestion de contaminants :

- N'utilisez pas l'appareil avec de l'eau d'une qualité incertaine ou non potable sur le plan microbiologique sans une désinfection en amont et en aval du système. Les systèmes homologués relativement à la réduction d'oocystes peuvent être utilisés avec de l'eau désinfectée pouvant contenir des oocystes filtrables.

AVIS

Pour réduire le risque de fuite ou d'inondation et pour garantir un rendement optimal du filtre :

- Lisez et observez les instructions d'utilisation avant l'installation et l'utilisation de ce système.
- L'installation et l'utilisation DOIVENT satisfaire tous les codes de plomberie locaux et nationaux.
- Ne procédez pas à l'installation si la pression d'eau excède 120 psi (827 kPa). Si votre pression d'eau excède 80 psi (552 kPa), vous devez poser une valve de limitation de pression. Faites appel à un plombier si vous avez des doutes sur la façon de mesurer votre pression d'eau.
- Ne procédez pas à l'installation si une condition de coup de bélier est susceptible de survenir. Si cette condition existe, vous devez poser un antibélier. Faites appel à un plombier si vous avez des doutes sur la manière d'identifier cette condition.
- Ne procédez pas à l'installation sur des conduites d'eau chaude. La température de service maximale de l'eau pour ce système de filtre est de 100 °F (38 °C).
- Protégez le filtre contre le gel. Drainez le filtre lorsque la température tombe sous 33 °F (0,6 °C).
- Remplacez la car touche filtrante jetable tous les six mois, ou plus tôt si vous constatez une réduction appréciable du débit d'eau.
- L'omission de remplacer la car touche filtrante jetable aux intervalles recommandés peut mener à une réduction du rendement du filtre et au fendillement du boîtier du filtre, entraînant ainsi des fuites ou l'inondation.
- Ce système a été mis à l'essai conformément aux normes 42, 53, 401 et P473 de la NSF/ANSI relatives à la réduction des substances énumérées ci-dessous. La concentration des substances mentionnées dans l'eau entrant dans le système a été réduite à une valeur inférieure ou égale à la limite admissible pour l'eau quittant le système, tel que stipulé dans les normes 42, 53, 401 et P473 de la NSF/ANSI.



Le système XWFE est certifié par l'IAPMO R&T en vertu des normes 42, 53, 401 et P473 de la NSF/ANSI relatives à la réduction des allégations spécifiées sur la fiche technique de rendement et le site iapmort.org.

GARANTIE LIMITÉE

12 mois sur les pièces et la main-d'œuvre

Durant les 12 mois suivant la date d'achat d'origine au détail, GE Appliances remplacera toute pièce du réfrigérateur présentant une défectuosité en raison d'un vice de matière ou de fabrication. Le choix entre le remplacement ou la réparation de l'appareil défectueux sera à la discrétion de GE Appliances. Dans le cas où GE Appliances déciderait de réparer l'appareil défectueux, GE Appliances fournira toute pièce défectueuse en raison d'un vice de matière ou de fabrication, et assumera les frais de main-d'œuvre et de service associés à réparation de la pièce. Advenant une décision de remplacer l'appareil durant cette période, GE Appliances pourrait procéder en vous fournissant un certificat échangeable auprès d'un détaillant contre un produit de remplacement.

Le produit doit être accessible, dégagé et installé correctement pour bénéficier du service de réparation sous garantie.

REMARQUE : Cette garantie prend effet à la date à laquelle l'article a été acheté et le reçu de l'achat d'origine doit être présenté au représentant de dépannage autorisé avant qu'une quelconque réparation sous garantie ne soit effectuée.

SERVICE AU TITRE DE LA GARANTIE

Aux États-Unis, toutes les réparations sous garantie doivent être réalisées par nos Factory Service Centers ou un technicien Customer Care autorisé. Composez le 1.877.337.3639 pour prévoir un rendez-vous

Veuillez avoir votre numéro de série et votre numéro de modèle à portée de main lorsque vous appelez pour obtenir un service.

Au Canada, composez le 1.877.470.9174.

EXCLUSION DES GARANTIES TACITES : Votre recours exclusif est l'échange du produit suivant les modalités de la Garantie Limitée. **Toutes garanties tacites, y compris les garanties de valeurs marchandes ou d'adéquation à des fins particulières, sont limitées à une durée d'un an ou à la durée la plus courte autorisée par la loi.**

Pour les clients des États-Unis : Cette garantie est étendue à l'acheteur d'origine et aux propriétaires suivants pour tout produit acheté pour une utilisation domestique aux États-Unis. Si le produit est installé dans une région où ne se trouve aucun réparateur autorisé GE Appliances, vous devrez peut-être assumer les frais de transport ou apporter l'appareil à un centre de service autorisé GE Appliances. En Alaska, cette garantie exclut le coût d'expédition ou de dépannage à votre domicile.

Certains états n'acceptent pas d'exclusion ou de limites aux dommages indirects consécutifs. Certains droits particuliers vous sont dévolus en vertu de la présente garantie et peuvent s'accompagner d'autres droits qui varient selon votre lieu de résidence. Pour connaître vos droits juridiques, veuillez consulter le bureau local ou le bureau d'état des affaires aux consommateurs ou le Procureur Général de votre état.

Garant US:
GE Appliances, a Haier company
Louisville, KY 40225

Pour les clients des Canada : Cette garantie est étendue à l'acheteur d'origine et aux propriétaires suivants pour tout produit acheté aux Canada pour une utilisation domestique aux Canada. Le service à domicile en vertu de la garantie sera fourni dans les régions où il est disponible et où Mabe estime raisonnable de le fournir.

Garant Canada:
MC Commercial, Inc., Burlington, Ontario, L7R 5B6

Cette garantie ne couvre pas :

Toute visite à votre domicile pour vous expliquer le fonctionnement de l'appareil.

Mauvaise installation, livraison ou entretien.

Toute défectuosité du produit lorsqu'il est utilisé de façon abusive, ou à des fins commerciales ou à toute autre fin que celle pour laquelle il a été conçu.

Perte des aliments due à la détérioration.

Dommage subi après la livraison.

Remplacement des ampoules de lampe.

Le remplacement des fusibles ou le réenclenchement des disjoncteurs.

Tout dommage au produit attribuable à un accident, un incendie, une inondation ou un cas de force majeure.

Tout dommage direct ou indirect attribuable à une défectuosité éventuelle de l'appareil.

Le service s'il est impossible d'avoir accès au produit pour ce faire.

Les coûts associés lorsque GE Appliances choisit d'émettre un certificat échangeable contre un produit de remplacement

ÍNDICE

INFORMACIÓN A TENER EN CUENTA	63
SEGURIDAD DEL REFRIGERADOR	64
Cómo deshacerse adecuadamente de su aparato refrigerador viejo	65
PIEZAS Y CARACTERÍSTICAS	66
REQUISITOS DE INSTALACIÓN	66
Ubicación del refrigerador	66
Espacio necesario	66
INSTRUCCIONES DE INSTALACIÓN	67
Preparación para Instalar el Refrigerador	67
Dimensiones del electrodoméstico	68
Instalación de la tubería de agua	69
Instalación del refrigerador	71
Cómo Completar la Instalación	76
USO DEL REFRIGERADOR	77
Controles	77
Modos sabáticos	78
Dispensador de agua interno	78
Acerca del cartucho del filtro de agua XWFE	78
Estantes y recipientes	80
Cajones	80
Cajón del congelador	81
Fabrica de hielos automática	82
CUIDADO DEL REFRIGERADOR	83
Limpieza	83
Vacaciones y mudanzas	84
Reemplazo de las luces	84
SOLUCIÓN DE PROBLEMAS	85
COMUNICACIÓN DEL ELECTRODOMÉSTICO	89
FILTRO DE AGUA XWFE	90
FICHA TÉCNICA DE RENDIMIENTO	91
GARANTÍA LIMITADA	96

INFORMACIÓN A TENER EN CUENTA

Le agradecemos la compra de este producto de marca Haier. Este manual para el usuario lo ayudará a obtener el mejor funcionamiento de su nuevo refrigerador.

Para referencia futura, anote el número de modelo y de serie y la fecha de compra. La placa con el número de modelo o de serie está ubicada en una etiqueta dentro del refrigerador.

Engrape la prueba de compra a este manual para asistirle cuando necesite obtener servicio bajo la garantía.

Número de modelo

Número de serie

Fecha de compra

SEGURIDAD DEL REFRIGERADOR

⚠ ADVERTENCIA A fin de reducir el riesgo de incendio, explosión, descargas eléctricas o lesiones al usar su refrigerador, siga estas precauciones básicas de seguridad:

- Este refrigerador se deberá instalar y ubicar adecuadamente de acuerdo con las Instrucciones de Instalación antes de ser usado.
- Desenchufe el refrigerador antes de hacer reparaciones o hacer una limpieza.
NOTA: La corriente que va al refrigerador no puede ser desconectada por ninguna configuración del panel de control.
NOTA: Las reparaciones deberán ser realizadas por un Profesional del Servicio Técnico calificado.
- Reemplace todas las piezas y paneles antes del uso.
- No use extensiones eléctricas para conectar su aparato.
- No guarde ni use gasolina u otros vapores y líquidos inflamables cerca de este ni de otro electrodoméstico.
- No guarde sustancias explosivas tales como latas de aerosoles con propelentes inflamables en este electrodoméstico.
- A fin de evitar riesgos de que los niños queden atrapados y sufran asfixia, retire las puertas de alimentos frescos y del congelador de cualquier refrigerador antes de deshacerse o dejar de usar el mismo..
- Para evitar lesiones graves o la muerte, los niños no se deberán parar sobre ni jugar en o con el electrodoméstico.
- Los niños y las personas con capacidad física, sensorial o mental reducida o con falta de experiencia y conocimiento podrán usar este electrodoméstico sólo si son supervisados o les fueron dadas instrucciones sobre un uso seguro y entienden los riesgos involucrados.
- Este electrodoméstico fue diseñado para uso hogareño y para aplicaciones similares tales como: áreas de personal de cocina en tiendas, oficinas y otros espacios laborales; casas de campo; por clientes en hoteles, moteles, hostales y otros espacios residenciales, servicio de comidas.
- Realice la conexión a un suministro de agua potable únicamente. Se requiere un suministro de agua fría para el funcionamiento de la máquina de helos automática. La presión del agua deberá estar entre 40 y 120 psi (275-827 kilopascals)..
- No aplique limpiadores ásperos sobre el refrigerador. Ciertos limpiadores dañarán el plástico, lo cual podrá hacer que ciertas piezas tales como la puerta o las manijas de las puertas se separen de forma inesperada. Para acceder a instrucciones detalladas, lea la sección de Cuidado y Limpieza.

⚠ PRECAUCIÓN A fin de reducir el riesgo de lesiones al usar el refrigerador, siga estas precauciones básicas.

- No limpie estantes de vidrio ni tapas con agua caliente cuando estén fríos. Los estantes de vidrio y las tapas se pueden romper si son expuestos a cambios de temperatura repentinos o impactos, tales como golpes o caídas. El vidrio templado está diseñado para destruirse en pequeñas piezas en caso de rotura.
- Mantenga los dedos fuera de los espacios de "riesgo de lesión"; los espacios entre las puertas y entre las puertas y el gabinete son necesariamente pequeños. Tenga el cuidado de cerrar las puertas cuando los niños se encuentren en el área.
- No toque las superficies frías del compartimiento del congelador cuando las manos estén húmedas o mojadas, ya que la piel se podrá adherir a estas superficies extremadamente frías.
- No vuelva a congelar comidas que hayan estado totalmente congeladas en forma previa.
- En refrigeradores con máquinas de hacer hielo automáticas, evite el contacto con las partes móviles del mecanismo eyector o con el elemento de calefacción que libera los cubos. No coloque los dedos ni las manos en el mecanismo de la máquina de hielo automática mientras el refrigerador esté enchufado.
- Use un vaso robusto al dispensar hielo (en modelos con dispensador de hielo).

INSTALACIÓN

⚠ ADVERTENCIA  **RIESGO DE EXPLOSIÓN**

Mantenga cualquier material y vapores inflamables, tales como gasolina, alejados del refrigerador. Si no se cumple con esto se podrá producir una explosión, incendio o la muerte.

SEGURIDAD DEL REFRIGERADOR

CONEXIÓN DE LA ELECTRICIDAD

⚠ ADVERTENCIA RIESGO DE DESCARGA ELÉCTRICA

Enchufe en un tomacorriente con conexión a tierra de 3 cables.

No elimine el cable de conexión a tierra.

No use un adaptador.

No use extensión eléctrica.

Si no se siguen estas instrucciones se podrá producir a muerte, incendios o descargas eléctricas.

Nunca, bajo ninguna circunstancia, corte o elimine el tercer cable (tierra) del cable de corriente. Para su seguridad personal, este electrodoméstico debe estar adecuadamente conectado a tierra.

El cable de corriente de este electrodoméstico contiene un enchufe de 3 cables (conexión a tierra) que se conecta a un tomacorriente de pared estándar de 3 cables (conexión a tierra) para minimizar la posibilidad de riesgos de descargas eléctricas por parte del mismo.

Contrate a un electricista calificado para que controle el tomacorriente y el circuito eléctrico, a fin de asegurar que el enchufe esté correctamente conectado a tierra.

En caso de contar con un tomacorriente de pared de 2 cables, es su responsabilidad y obligación reemplazarlo por un tomacorriente de pared de 3 cables correctamente conectado a tierra. No use un adaptador.

El refrigerador debería estar siempre conectado a un enchufe específico con un índice de voltaje equivalente al que figura en su etiqueta de características técnicas.

Se requiere un suministro eléctrico con fusible y conexión a tierra de 115 voltios de CA, 60 Hz, 15 o 20 amperes. Esto garantiza el mejor funcionamiento y además previene la sobrecarga de los circuitos del hogar, lo cual podría ocasionar riesgos de incendio debido al recalentamiento de cables.

Nunca desenchufe el refrigerador tirando del cable de corriente. Siempre tome su enchufe firmemente y empuje el mismo hacia afuera para retirarlo.

Repáre o reemplace de inmediato todos los cables de corriente pelados o con cualquier tipo de daño. No use un cable con cortaduras o abrasión sobre su extensión o extremos.

Al alejar el refrigerador de la pared, se deberá tener cuidado de que no ruede sobre ni dañe el cable de corriente.

⚠ ADVERTENCIA PELIGRO DE ATRAPADOS Y ASFIXIA

El incumplimiento de estas instrucciones de eliminación puede causar la muerte o lesiones graves.

IMPORTANTE: Que un niño quede atrapado o que sufra una asfixia no son problemas del pasado. Los refrigeradores antiguos o abandonados aún son peligrosos, incluso aunque se conserven por "sólo unos pocos días". Si se deshará de su antiguo refrigerador, siga las siguientes instrucciones a fin de evitar accidentes.

Antes de Descartar su Antiguo Aparato:

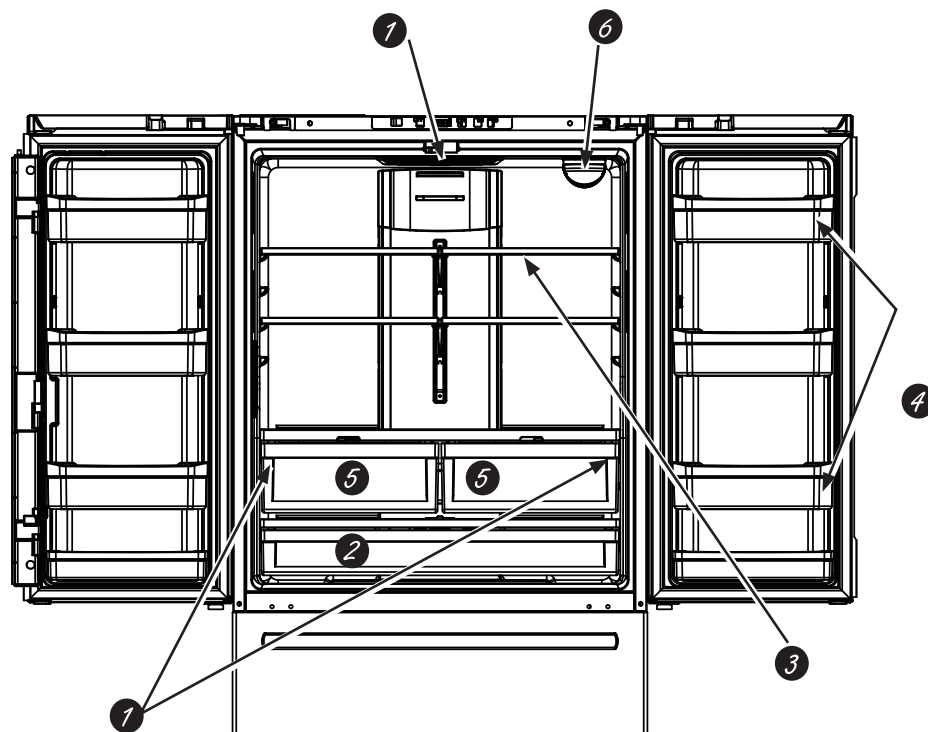
- Retire las puertas de alimentos frescos y del congelador.
- Deje los estantes en su lugar de modo que los niños no puedan trepar dentro con facilidad.

Cómo Eliminar Refrigerantes y Espuma Aislante:

Descarte el electrodoméstico de acuerdo con las Regulaciones Federales y Locales. El material aislante inflamable usado requiere procedimientos de descarte especiales. Comuníquese con las autoridades locales para descartar su electrodoméstico de forma ambientalmente segura.

LEA Y GUARDE ESTAS INSTRUCCIONES

PIEZAS Y CARACTERÍSTICAS



1 Iluminación LED

Las luces LED del compartimiento de refrigerador están ubicadas en la parte central superior y los costados izquierdo y derecho sobre los cajones del área con clima regulado. Las luces LED también están ubicadas en el congelador; consulte la página 80.

2 Cajón con ancho completo

El cajón con ancho completo, donde se pueden colocar productos más grandes, está ubicado en la parte inferior del compartimiento de refrigerador.

3 Estante QuickSpace™

Funciona como una repisa normal de tamaño completo cuando lo necesite y se desliza fácilmente hacia adentro para guardar artículos altos en la parte inferior.

4 Anaqueles para puertas desmontables/ ajustables

Se puede mover hacia arriba o abajo de acuerdo a sus necesidades.

5 Cajones con clima regulado

Cajones separadas para almacenar productos comestibles.

6 Filtro de agua

Accesible para un fácil reemplazo.

REQUISITOS DE INSTALACIÓN

REQUISITOS DE UBICACIÓN

IMPORTANTE: Este refrigerador ha sido diseñado únicamente para usarse dentro del hogar.

- No instale el refrigerador donde la temperatura llegue a ser inferior a los 60°F (16°C), ya que no se activará con la frecuencia necesaria para mantener las temperaturas apropiadas.
- No instale el refrigerador donde la temperatura sea superior a los 100°F (37°C), ya que no funcionará de forma correcta.
- No instale el refrigerador en una ubicación expuesta al agua (lluvia, etc.) o en contacto directo con la luz solar.
- Instale el mismo en un piso lo suficientemente fuerte como para soportarlo completamente cargado.

ESPACIO NECESARIO

Deje el siguiente espacio para facilitar la instalación, una adecuada circulación de aire y plomería y conexiones eléctricas.

Costados	1/8" (3 mm)
Parte superior	1" (25 mm) Gabinete/ Tapa de la Bisagra
Parte Trasera	2" (50 mm)

INSTRUCCIONES DE INSTALACIÓN

ANTES DE COMENZAR

Lea estas instrucciones en su totalidad y atentamente

- **IMPORTANTE** — Cumpla con todos los códigos y ordenanzas gubernamentales. Guarde estas instrucciones para uso del inspector local.
- **Nota para el Instalador** – Asegúrese de que el Comprador guarde estas instrucciones.
- **Nota para el Consumidor** – Guarde estas instrucciones para referencia futura.
- **Nivel de habilidad** – La instalación de este dispositivo requiere un nivel básico de habilidades mecánicas.
- **Tiempo de Instalación** – Instalación del Refrigerador 20 minutos
Instalación del Suministro de Agua - 30 minutos
- Es responsabilidad del instalador realizar una instalación adecuada.
- Si se producen fallas en el producto debido a una instalación inadecuada, la Garantía no cubrirá las mismas.

PREPARACIÓN

CÓMO MOVER EL REFRIGERADOR EN UN ESPACIO INTERNO

Si el refrigerador no pasa por una puerta, la puerta del refrigerador y el cajón del congelador podrán ser retirados.

- A fin de retirar la puerta del refrigerador, consulte sobre el Retiro de Puertas en la sección de Instrucciones de Instalación.
- A fin de retirar el cajón del freezer, consulte sobre el Cajón del Freezer en la sección de Instrucciones de Instalación.

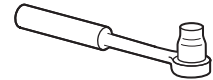
SUMINISTRO DE AGUA A LA MÁQUINA DE HIELOS Y AL DISPENSADOR

Si el refrigerador cuenta con una máquina de hielos, deberá ser conectada al suministro de agua fría. Un kit de suministro de agua de GE Appliances (con tubería, válvula de cierre, uniones e instrucciones) está disponible por un costo adicional a nivel minorista, visitando nuestro sitio web en Haierappliances.com (en Canadá en geappliances.ca) o en Parts and Accessories (Piezas y Accesorios), 877.337.3639 (en Canadá, GEAppliances.ca or 800.661.1616).

HERRAMIENTAS QUE PUEDE NECESITAR



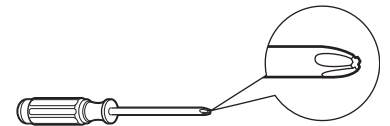
Llave Ajustable



Llave de Tubo /
Destornillador de 3/8" y
5/8"



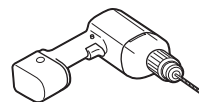
Tuerca de Compresión
de Diámetro Externo de
1/4" y Abrazadera de
Refuerzo (manga)
Sólo en modelos con
máquina de hielos



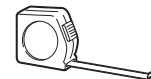
Destornillador con Cabeza
Phillips



Llaves Allen de 3/32",
1/8" y 3/16"



Broca de 1/8" y Taladro
Eléctrico o Manual



Cinta métrica



Lápiz



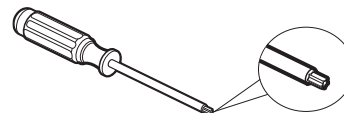
Llave de Tuerca de 1/4"



Cortacables



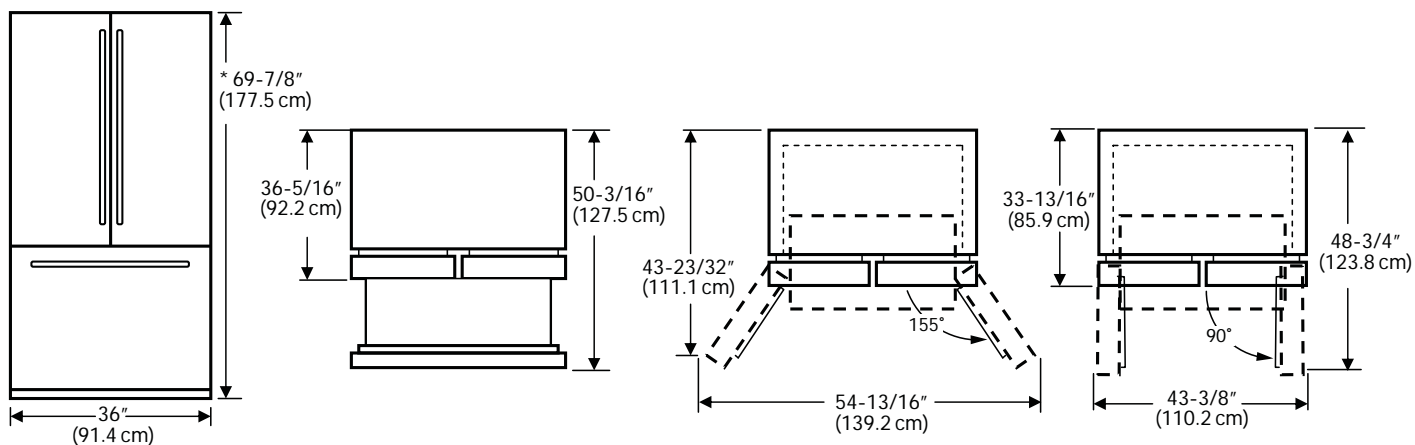
Nivel



Llave Torx T20

INSTRUCCIONES DE INSTALACIÓN

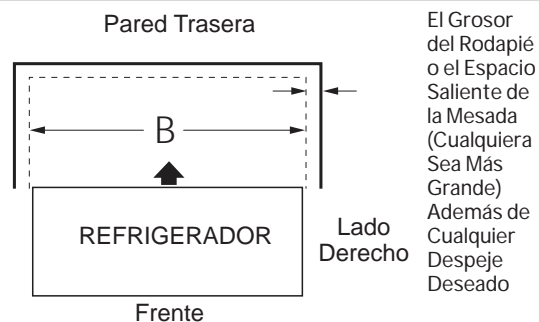
DIMENSIONES DEL ELECTRODOMÉSTICO



NOTA: *La altura del refrigerador hasta la parte superior de la puerta

MIDA LA ABERTURA DEL GABINETE DE ACUERDO CON EL ANCHO DEL REFRIGERADOR

Mida el ancho de la abertura del gabinete donde el refrigerador será colocado, "B". Asegúrese de tener en cuenta cualquier parte saliente de la mesada, el grosor del rodapié y cualquier despeje deseado. El ancho, "B", no debería ser inferior a entre 36" (91.4 cm). El refrigerador será ubicado aproximadamente en el medio de esta abertura.



INSTRUCCIONES DE INSTALACIÓN

INSTALACIÓN DE LA TUBERÍA DE AGUA ANTES DE COMENZAR

Los kits de suministro de agua de cobre recomendados son WX8X2, WX8X3 o WX8X4, dependiendo de la cantidad de tubería necesaria. Las líneas de suministro de agua de plástico aprobadas son Tuberías de Agua Universales para Refrigerador (WX08X10006, WX08X10015 y WX08X10025).

Si el suministro de agua al refrigerador es de un Sistema de Filtración de Agua por Ósmosis Inversa (RO) Y el refrigerador también cuenta con un filtro de agua, use el enchufe del bypass del filtro del refrigerador. El uso del cartucho de filtración de agua del refrigerador junto con un filtro de agua RO podrá producir cubos de hielo huecos. Algunos modelos no están equipados con el tapón del bypass del filtro. Para obtener un tapón del bypass del filtro, llame al 877.337.3639. En Canadá, llame al 800.661.1616.

Esta instalación de la tubería de agua no posee garantía del fabricante del refrigerador o de la máquina de helos. Siga estas instrucciones con cuidado, a fin de minimizar el riesgo de daños costosos a causa del agua.

Los golpes de ariete (agua que golpea las tuberías) en la plomería del hogar pueden ocasionar daños sobre las piezas del refrigerador y generar pérdidas de agua o inundación. Llame a un plomero calificado para corregir los golpes de ariete antes de instalar la tubería de suministro de agua al refrigerador.

A fin de evitar quemaduras y daños sobre los productos, no adhiera la tubería de agua a la tubería de agua caliente.

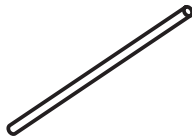
No instale la tubería de la máquina de helos en áreas donde las temperaturas sean inferiores a las de congelación.

Al usar cualquier dispositivo eléctrico (tal como un taladro eléctrico) durante la instalación, asegúrese de que el mismo posea un doble aislante o que esté conectado a tierra de modo que se prevenga el riesgo de descargas eléctricas, o que esté alimentado por medio de una batería.

Todas las instalaciones deberán ser acordes con los requisitos del código de plomería local.

LO QUE NECESITARÁ

- El kit de cobre o del Kit de Tuberías de Agua Universales para Refrigerador de 1/4" de diámetro externo para conectar el refrigerador al suministro de agua. Si usará cobre, asegúrese de que ambos extremos de la tubería hayan sido cortados de forma recta.



A fin de determinar cuánta tubería es necesaria: mida la distancia desde la válvula de agua en la parte trasera del refrigerador hasta la tubería del suministro de agua. Asegúrese de que haya suficiente tubería adicional para permitir que el refrigerador pueda ser retirado de la pared luego de la instalación.

Los Kit de Tuberías de Agua Universales para Refrigerador están disponibles en las siguientes longitudes:

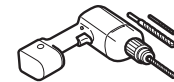
- 6' (1.8 m) – WX08X10006
- 15' (4.6 m) – WX08X10015
- 25' (7.6 m) – WX08X10025

⚠ ADVERTENCIA

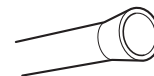
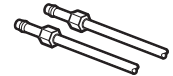
Realice la conexión a un suministro de agua potable únicamente. Se requiere un suministro de agua fría para el funcionamiento de la máquina de helos automática. La presión del agua deberá estar entre 40 y 120 psi (275-827 kilopascales).

NOTA: La única tubería plástica aprobada por Café Appliances es la que proporcionamos con los Kits de Tuberías de Agua Universales para Refrigerador. No use ningún otro suministro de agua plástico, ya que el suministro se encuentra bajo presión en todo momento. Ciertos tipos de plásticos podrán sufrir fisuras o roturas con el paso del tiempo y ocasionar problemas con el agua en su hogar.

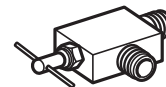
- Un kit de suministro de agua (el cual cuenta con tubería, válvula de cierre y uniones que figuran en la siguiente lista) está disponible por un costo adicional a través de su vendedor minorista o de Parts and Accessories (Piezas y Accesorios), 877.337.3639 o **Haierappliances.com**. (En Canadá, 800.661.1616 o **GEAppliances.ca**).
- Un suministro de agua fría. La presión del agua deberá estar entre 20 y 120 p.s.i. (138-827 kPa).
- Taladro eléctrico.



- Llave de 1/2" o ajustable.
- Destornillador de punta plana o Phillips.
- 2 tuercas de compresión de diámetro externo de 1/4" y 2 abrazaderas de compresión (mangas) – para conectar la tubería de cobre a la válvula de cierre y a la válvula de agua del refrigerador.
- Si usted está usando un kit de Tuberías de Agua Universales para Refrigerador, las uniones necesarias están preensambladas a la tubería.



- Si su tubería de agua de cobre existente posee una unión con avellanado en su extremo, necesitará un adaptador (disponible en las tiendas de suministros de plomería) para conectar la tubería de agua al refrigerador O puede cortar la unión con avellanado con un cortador de tubos y luego usar una unión de compresión. No corte un extremo formado por Kit de Tuberías de Agua Universales para Refrigerador.



- Válvula de cierre para conectar a la tubería de agua fría. La válvula de cierre debe tener una entrada de agua con un diámetro interno mínimo de 5/32" en el punto de conexión a la TUBERÍA DE AGUA FRÍA. Las válvulas de cierre tipo montura están incluidas en muchos kits de suministro de agua. Antes de su adquisición, asegúrese de que la válvula tipo montura cumpla con los códigos de plomería locales.

INSTRUCCIONES DE INSTALACIÓN

INSTALACIÓN DE LA TUBERÍA DE AGUA (Cont.)

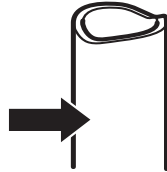
Instale la válvula de cierre en la tubería de agua potable de uso frecuente más cercana.

1. CIERRE EL SUMINISTRO DE AGUA PRINCIPAL

Abra el grifo más cercano que sea lo suficientemente largo como para despejar la tubería de agua.

2. ELIJA LA UBICACIÓN DE LA VÁLVULA

Elija una ubicación para la válvula que sea de fácil acceso. Es mejor conectar la misma en el lateral de una tubería de agua vertical. Cuando sea necesario hacer la conexión en una tubería de agua horizontal, realice la conexión a la parte superior o lateral, en vez de la parte inferior, a fin de evitar el drenaje de cualquier sedimento de la tubería de agua.

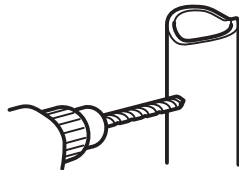


3. TALADRE EL AGUJERO DE LA VÁLVULA

Taladre un agujero de 1/4" en la tubería de agua (incluso si usará una válvula auto perforante), usando una punta afilada. Elimine cualquier zumbido que resulte de haber taladrado el agujero en la tubería.

Tenga cuidado de no permitir que el agua se drene en el taladro.

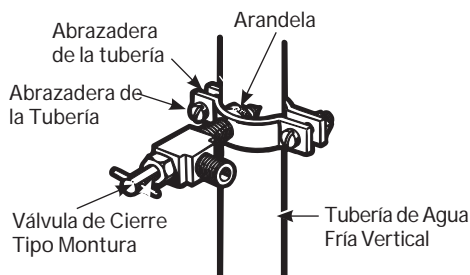
Si no se taladra un agujero de 1/4", se podrá ver reducida la producción de hielo o cubos de hielo más pequeños.



4. AJUSTE LA VÁLVULA DE CIERRE

Ajuste la válvula de cierre de la tubería de agua fría con la abrazadera de la tubería

NOTA: Se deberá cumplir con los Códigos de Plomería del Commonwealth de Massachusetts 248CMR. Las válvulas tipo montura son ilegales y su uso está prohibido en Massachusetts. Consulte a un plomero matriculado.



5. AJUSTE LA ABRAZADERA DE LA TUBERÍA

Ajuste los tornillos de la abrazadera hasta que la arandela de sellado comience a hincharse.

NOTA: No ajuste en exceso o se podrá romper la tubería.

6. ENRUTE LA TUBERÍA

Conduzca la tubería entre la entrada de agua fría y el refrigerador.

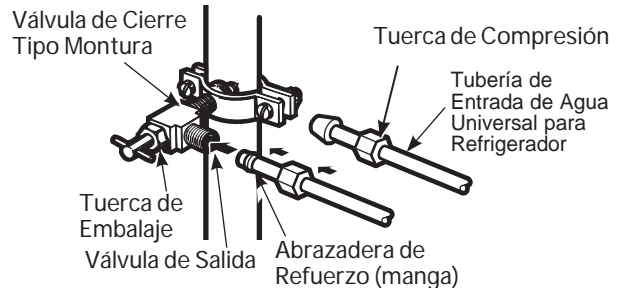
Conduzca la tubería a través de un agujero perforado en la pared o el piso (detrás del refrigerador o del gabinete con base adyacente) tan cerca a la pared como sea posible.

7. CONECTE LA TUBERÍA A LA VÁLVULA

Coloque la tuerca de compresión y la abrazadera de refuerzo (manga) para colocar la tubería de cobre en el extremo de la tubería y conecte la misma a la válvula de cierre.

Asegúrese de que la tubería esté completamente insertada en la válvula. Ajuste la tuerca de compresión de forma segura.

Para tuberías plásticas de un Kits de Tuberías de Agua Universales para Refrigerador, inserte el extremo moldeado de la tubería en la válvula de cierre y ajuste la tuerca de compresión hasta que quede ajustada manualmente, y luego dé un giro de ajuste adicional con una llave. Un ajuste excesivo puede ocasionar pérdidas.

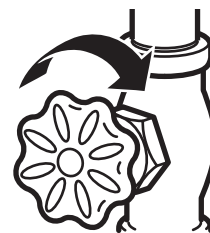


NOTA: Se deberán seguir los Códigos 248CMR de Plomería para el Estado de Massachusetts. Las válvulas tipo silla son ilegales y su uso no está permitido en Massachusetts. Consulte con un plomero licenciado.

8. DESPEJE DE LA TUBERÍA

Abra el suministro de agua principal y despeje la tubería hasta que el agua esté limpia.

Cierre el agua usando la válvula de agua luego de haber dejado correr aproximadamente un galón (1 litro), o 2 minutos, de agua a través de la tubería.



INSTRUCCIONES DE INSTALACIÓN

INSTALACIÓN DEL REFRIGERADOR - PUERTAS FRANCESAS

UBICACIÓN DEL REFRIGERADOR

- No instale el refrigerador donde la temperatura llegue a ser inferior a los 60°F (16°C), ya que no se activará con la frecuencia necesaria para mantener las temperaturas apropiadas.
- No instale el refrigerador donde la temperatura sea superior a los 100°F (37°C), ya que no funcionará de forma correcta.
- No instale el refrigerador en una ubicación expuesta al agua (lluvia, etc.) o en contacto directo con la luz solar.
- Instale el mismo en un piso lo suficientemente fuerte como para soportarlo completamente cargado.

ESPACIO NECESARIO

Deje el siguiente espacio para facilitar la instalación, una adecuada circulación de aire y plomería y conexiones eléctricas.

Costados	1/8" (3 mm)
Parte superior	1" (25 mm) Gabinete/ Tapa de la Bisagra
Parte Trasera	2" (50 mm)

⚠ ADVERTENCIA

Siga todos los pasos. Si no se siguen estas instrucciones, dejando piezas sin uso o ajustando tornillos en exceso, esto podrá hacer que la puerta se caiga y producir lesiones y daños sobre la propiedad.

NOTAS IMPORTANTES

Al retirar las puertas francesas:

- Lea las instrucciones completamente antes de comenzar.
- Coloque los tornillos en sus partes relacionadas, a fin de evitar su uso en los lugares equivocados.
- Cuente con una superficie de trabajo donde las puertas no se rayen.

⚠ PRECAUCIÓN

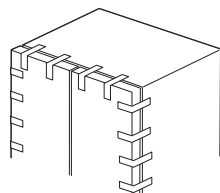
Riesgo al levantar la puerta. Si es levantada por una sola persona, podrían ocasionarse lesiones. Solicite ayuda al sostener, mover o levantar las puertas del refrigerador.

NOTA: Al retirar la puerta, a fin de evitar daños sobre la misma y la parte electrónica, coloque con cuidado la puerta en una ubicación adecuada.

⚠ ADVERTENCIA

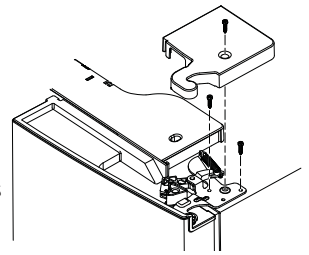
A fin de eliminar el riesgo de descarga eléctrica o lesión durante la instalación, primero deberá desenchufar el refrigerador antes de proceder. Si no se siguen estas instrucciones, se podrá producir una descarga eléctrica.

Mantenga las puertas cerradas con cinta adhesiva.



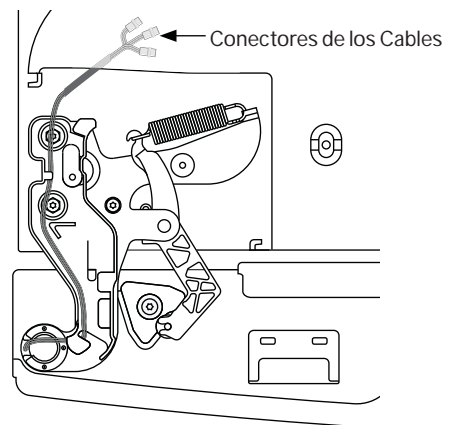
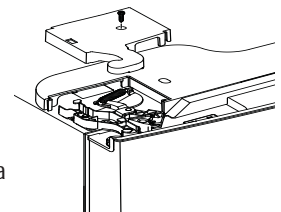
1. RETIRO DE LA PUERTA (Derecha)

- Retire la tapa de la bisagra en la parte superior de la puerta de refrigerador derecha, retirando el tornillo y usando un destornillador Phillips.
- Usando una llave de tubo/destornillador de 5/16", retire los tornillos que aseguran la bisagra superior del gabinete. Levante el soporte de la bisagra hacia arriba para liberar el perno de la bisagra del encaje en la parte superior de la puerta.
- Retire la cinta de la puerta derecha e incline la puerta lejos del gabinete. Levante la puerta y retire la misma del perno de la bisagra central.
- Ajuste la puerta en una superficie antirayaduras con la parte interna hacia arriba.



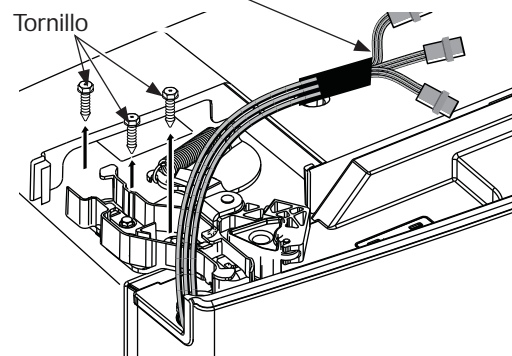
2. RETIRO DE LA PUERTA (Izquierda)

- Retire la tapa de la bisagra en la parte superior de la puerta de refrigerador izquierda, retirando el tornillo con un destornillador Phillips.
- Desenchufe los conectores de 3 cables y mueva estos últimos, hasta que pueda ver los tornillos que sostienen la bisagra.



- Usando una llave de tubo/destornillador de 5/16", retire los tornillos que aseguran

Conectores de los Cables

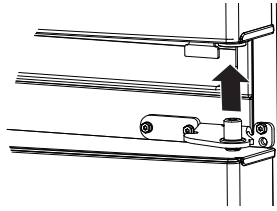


INSTRUCCIONES DE INSTALACIÓN

INSTALACIÓN DEL REFRIGERADOR - PUERTAS FRANCESAS (Cont.)

2. RETIRO DE LA PUERTA (Izquierda) (Cont.)

D. Levante la bisagra de forma recta hacia arriba para liberar el perno de la bisagra desde el anclaje en la parte superior de la puerta, y pase el cable a través de la ranura de la bisagra.

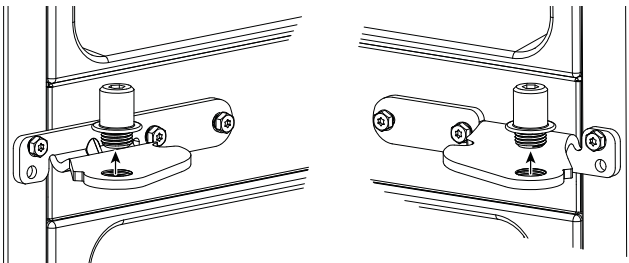


E. Retire la cinta de la puerta, abra la puerta a 90 grados e incline la puerta lejos del gabinete. Levante la puerta y retire la misma del perno de la bisagra central.

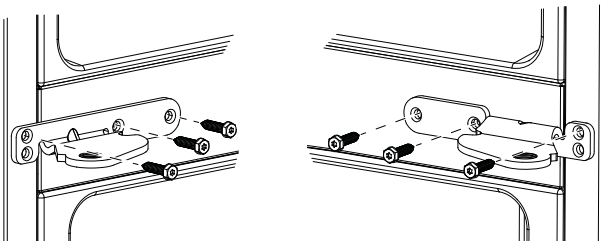
F. Ajuste la puerta en una superficie antirayaduras con la parte interna hacia arriba.

3. RETIRO DE LAS BISAGRAS CENTRALES Y DE LOS SOPORTES

A. Usando una llave Allen de 1/4", retire los 2 pernos de la bisagra desde los soportes de la bisagra.



B. Usando una llave de tubo/ destornillador de 5/16", retire los tornillos que aseguran los soportes de la bisagra central al gabinete.



REINSTALACIÓN DE LAS PUERTAS

⚠ ADVERTENCIA

Siga todos los pasos. Si no se siguen estas instrucciones, dejando piezas sin uso o ajustando tornillos en exceso, esto podrá hacer que la puerta se caiga y producir lesiones y daños sobre la propiedad.

NOTAS IMPORTANTES

Al retirar las puertas francesas:

- Lea las instrucciones completamente antes de comenzar.

⚠ PRECAUCIÓN

Riesgo al levantar la puerta. Si es levantada por una sola persona, podrían ocasionarse lesiones. Solicite ayuda al sostener, mover o levantar las puertas del refrigerador.

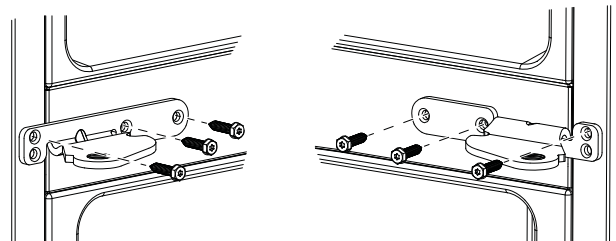
NOTA: Al retirar la puerta, a fin de evitar daños sobre la misma y la parte electrónica, coloque con cuidado la puerta en una ubicación adecuada.

⚠ ADVERTENCIA

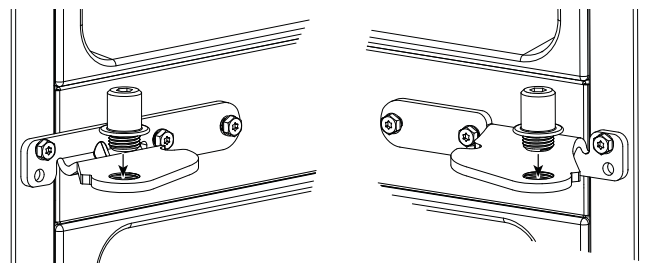
A fin de eliminar el riesgo de descarga eléctrica o lesión durante la instalación, primero deberá desenchufar el refrigerador antes de proceder. Si no se siguen estas instrucciones, se podrá producir una descarga eléctrica.

1. REINSTALACIÓN DE LOS SOPORTES DE LA BISAGRA CENTRAL Y DE LA BISAGRA

A. Usando una llave de tubo/ destornillador de 5/16", retire los tornillos que aseguran los soportes de la bisagra central al gabinete.



B. Usando una llave Allen de 1/4", reinstale los 2 pernos de la bisagra en los soportes de la bisagra.

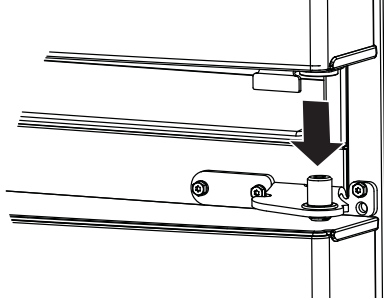


INSTRUCCIONES DE INSTALACIÓN

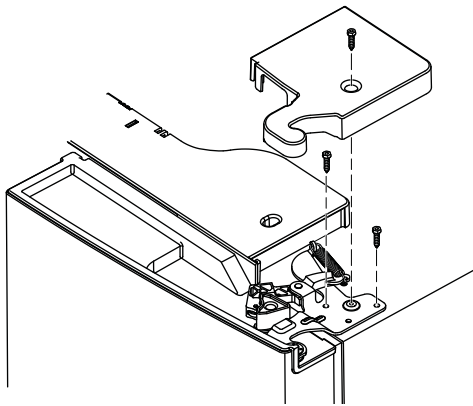
INSTALACIÓN DEL REFRIGERADOR - PUERTAS FRANCESAS (Cont.)

2. RECOLOCACIÓN DE LA PUERTA DERECHA

- A. Baje la puerta del refrigerador sobre el perno de la bisagra derecha.



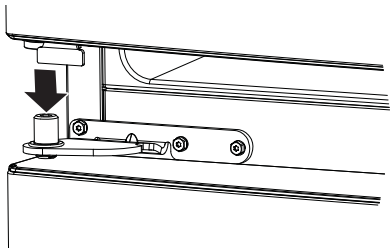
- B. Asegúrese de que la puerta esté alineada con el gabinete. Adhiera la bisagra a la parte superior del gabinete sin apretar, habiendo retirado los tornillos antes.
- C. Asegúrese de que la junta de la puerta esté nivelada contra el gabinete y que no esté doblada. Ajuste los tornillos a 60 lb/pulg (6.78 Nm).



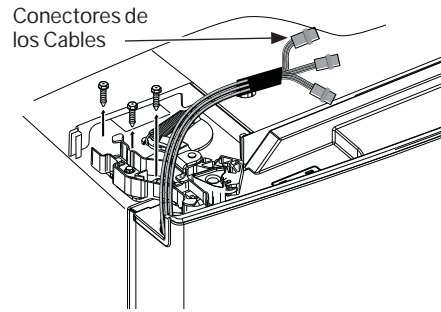
- D. Reemplace la tapa de la bisagra derecha en la parte superior del refrigerador usando un destornillador Phillips.

3. REINSTALACIÓN DE LA PUERTA IZQUIERDA

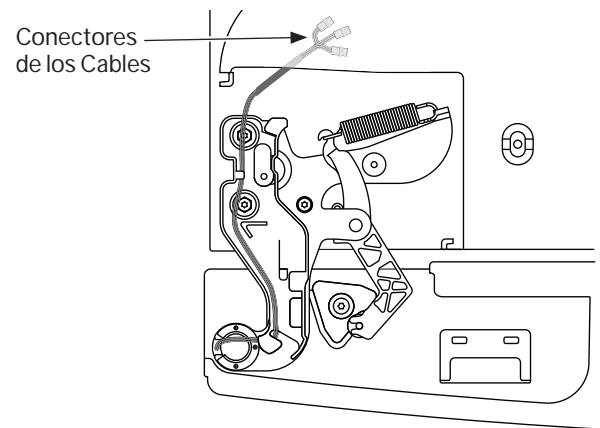
- A. Pase el cable a través de la ranura de la bisagra. Coloque el perno de la bisagra en la parte superior de la puerta.



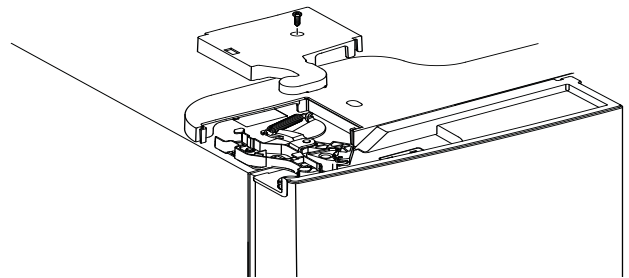
- B. Baje la puerta del refrigerador sobre el perno de la bisagra izquierda.
- C. Asegúrese de que la puerta esté alineada con el gabinete. Adhiera la bisagra a la parte superior del gabinete sin apretar, habiendo retirado los tornillos antes.
- D. Asegúrese de que la junta de la puerta esté nivelada contra el gabinete y que no esté doblada. Ajuste los tornillos a 60 lb/pulg (6.78 Nm).



- E. Enchufe los conectores de los cables juntos y dirija el cable dentro del puerto de plástico.



- F. Reemplace la tapa de la bisagra izquierda en la parte superior del refrigerador usando un destornillador Phillips.



INSTRUCCIONES DE INSTALACIÓN

INSTALACIÓN DEL REFRIGERADOR - CAJÓN DEL CONGELADOR

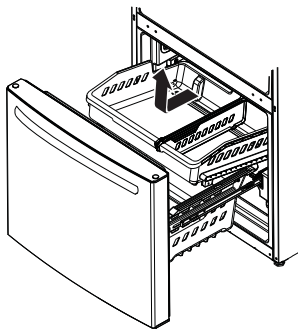
NOTAS IMPORTANTES

Al retirar el cajón del congelador:

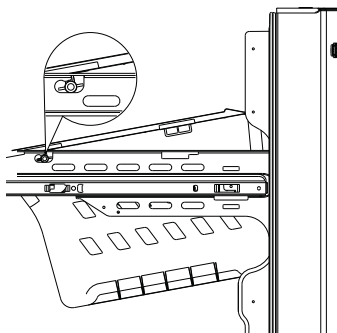
- Lea las instrucciones completamente antes de comenzar.
- Cuente con una superficie de trabajo donde las puertas no se rayen.

1. RETIRE LAS CANASTAS

- A. Abra el cajón del congelador hasta que se detenga.
B. Empuje la canasta superior hacia fuera hasta que se detenga. Levante la canasta hacia arriba sobre el frente y hacia fuera para retirar la misma.

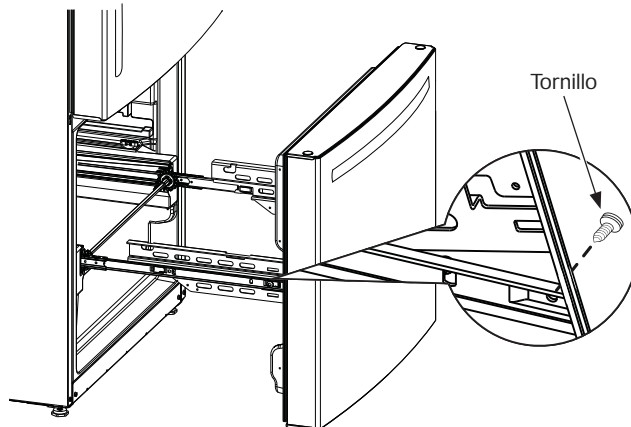


- C. La canasta inferior se apoya sobre una estructura dentro del cajón del congelador. Levante el frente de la canasta y empuje la misma hacia delante. Libere los pernos de las ranuras de las estructuras para retirar la canasta.

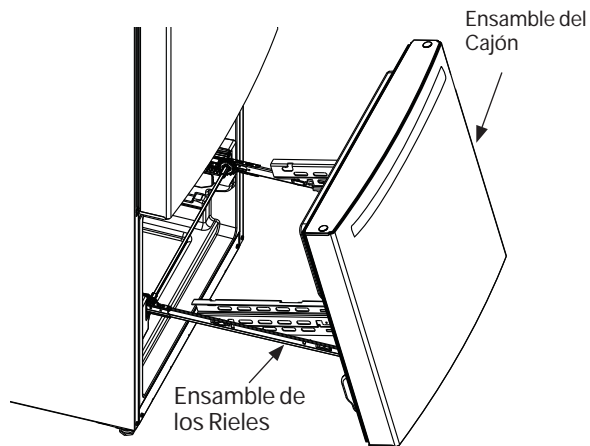


2. RETIRE EL FRENTE DEL CAJÓN

- A. Retire el tornillo que está a cada lado de los rieles.



- B. Levante sobre ambos lados de la manija del cajón del congelador para separar los rieles del cajón de los ensambles de los rieles.



- C. Configure el frente del cajón en una superficie antirayaduras.
D. Vuelva a empujar los ensambles de los rieles hasta su posición de bloqueo.

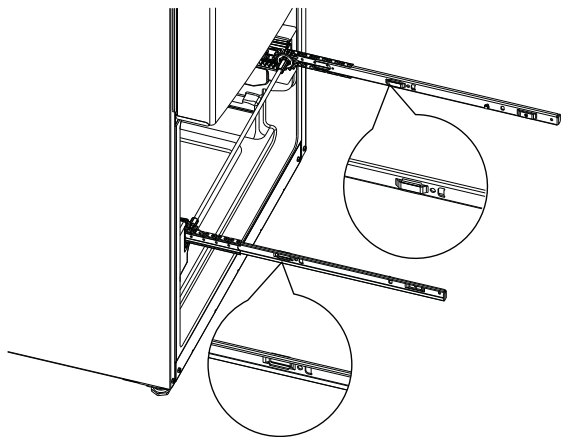
INSTRUCCIONES DE INSTALACIÓN

INSTALACIÓN DEL REFRIGERADOR - CAJÓN DEL CONGELADOR (Cont.)

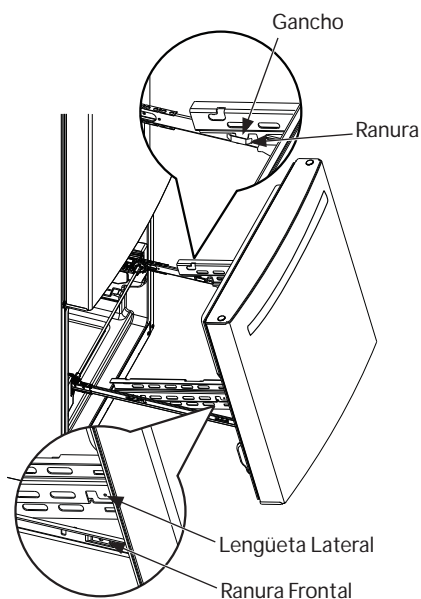
(en algunos modelos)

3. REINSTALACIÓN DEL FRENTES DEL CAJÓN DEL CONGELADOR

- A. Empuje los ensambles de los rieles hasta la extensión máxima.
- B. Ubique las ranuras en la parte interna de cada riel.

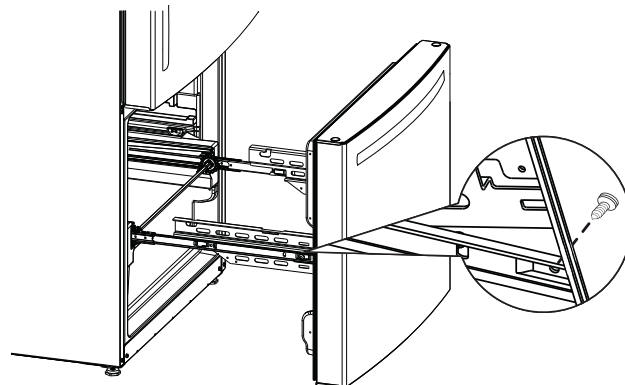


- C. Inserte los ganchos sobre los extremos de las extensiones de los ensambles del cajón en las ranuras cercanas a la parte trasera de las correderas.



- D. Baje el extremo frontal del ensamble del cajón del congelador, de modo que las lengüetas laterales coincidan con las ranuras frontales de los ensambles de las correderas.

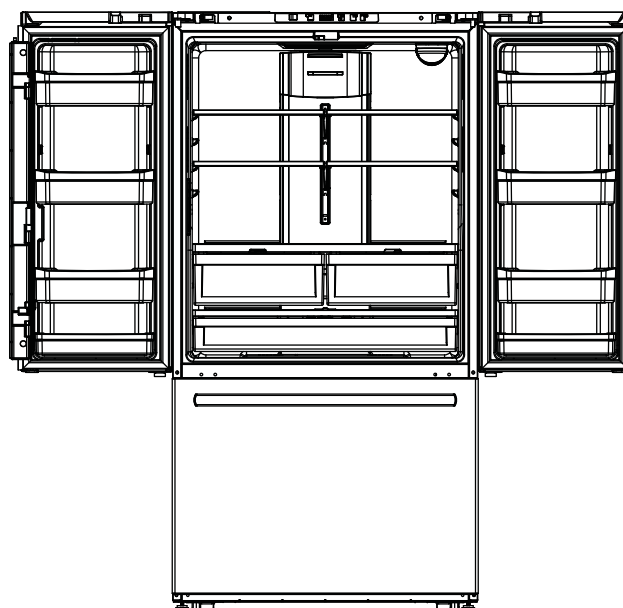
- E. Reemplace los tornillos de seguridad a ambos lados de los ensambles de las correderas.



- F. Reemplace las canastas inferior y superior (consulte la sección Cajón del congelador).

ENSAMBLE SUGERIDO DEL REFRIGERADOR

Se muestran los estantes en la ubicación para una mayor eficiencia energética.



Modelos QNE27J
27 cuft.

Puerta Francesa con Cajón del Congelador

INSTRUCCIONES DE INSTALACIÓN

CONEXIÓN DEL REFRIGERADOR AL SUMINISTRO DE AGUA DEL HOGAR

Se requiere un suministro de agua fría para el funcionamiento de la máquina de hielos automática. Si no se cuenta con un suministro de agua fría, se deberá proveer uno. Consulte la sección de Instalación del Suministro de Agua

NOTAS:

- Antes de realizar la conexión al refrigerador, asegúrese de que el cable de corriente del mismo no se encuentre enchufado al tomacorriente.
- Si su refrigerador no cuenta con un filtro de agua, le recomendamos que instale uno si el suministro de agua posee arena o partículas que podrían atascar la rejilla de la válvula de agua del refrigerador. Instale el mismo en la tubería de agua más cercana al refrigerador. Si usted está usando un kit de Tuberías de Agua Universales para Refrigerador, necesitará una tubería adicional (WX08X10002) para realizar la conexión al filtro. No corte la tubería de plástico para instalar el filtro.
- Antes de conectar la tubería de agua al hogar, purgue la tubería del hogar durante por lo menos 2 minutos.

- A. Si usará una tubería de cobre, coloque una tuerca de compresión y una abrazadera de refuerzo (manga) en el extremo de la tubería proveniente del suministro de agua fría del hogar. Si se encuentra usando la tubería de Entrada de Agua Universal, las tuercas ya se encontrarán ensambladas en la tubería.
- B. Si usará tuberías de cobre, inserte el extremo de la tubería en la conexión del refrigerador, en la parte trasera del refrigerador, lo más lejos posible. Al sostener la tubería, ajuste la unión. Si se encuentra usando la tubería de Entrada de Agua Universal, inserte el extremo moldeado de la tubería en la conexión del refrigerador, en la parte trasera del refrigerador, y ajuste la tuerca de compresión hasta que quede ajustada manualmente. Luego realice un ajuste adicional con un giro de llave. Un ajuste excesivo puede ocasionar pérdidas.

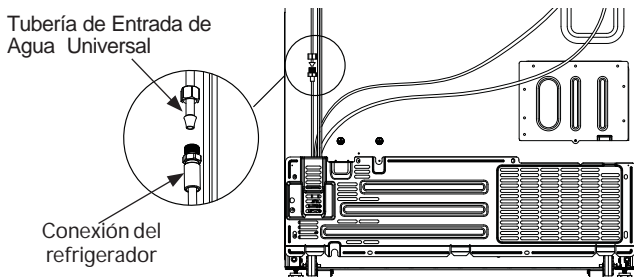
⚠ ADVERTENCIA

Realice la conexión a un suministro de agua potable únicamente. Se requiere un suministro de agua fría para el funcionamiento de la máquina de hielos automática. La presión del agua deberá estar entre 40 y 120 psi (275-827 kilopascales).

⚠ ADVERTENCIA

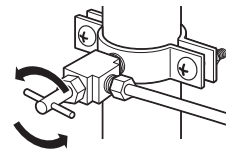
PELIGRO DE DESCARGA ELÉCTRICA

Adhiera la abrazadera de la tubería usando el agujero existente únicamente. NO perforo el refrigerador.



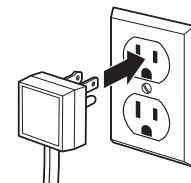
ABRA EL SUMINISTRO DE AGUA

Abra el suministro de agua usando la válvula de cierre (suministro de agua hogareño) y controle que no haya pérdidas.



ENCHUFE EL REFRIGERADOR

En modelos con máquina de hielos, antes de enchufar el refrigerador, asegúrese de que el interruptor de corriente de la máquina de hielos esté ajustado en la posición 0 (apagado).



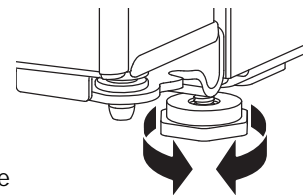
Consulte la información de conexión a tierra adjunta al cable de corriente.

COLOQUE EL REFRIGERADOR EN SU POSICIÓN

Mueva el refrigerador hasta su posición final.

NIVELE EL REFRIGERADOR

Las patas niveladoras en las esquinas frontales del refrigerador se deben ajustar de modo que el refrigerador quede posicionado de manera firme sobre el piso, y que el frente quede elevado lo suficiente como para que la puerta se cierre con facilidad cuando se abra aproximadamente hasta la mitad.

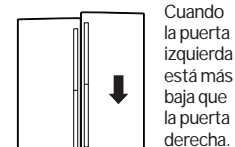


Para ajustar las patas niveladoras, gire las patas en dirección de las agujas del reloj para elevar el refrigerador, y en dirección contraria de las agujas del reloj para bajarlas.

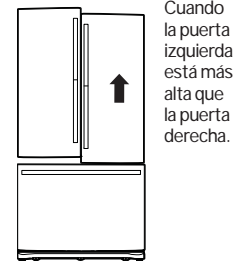
NIVELACIÓN DE LAS PUERTAS DEL REFRIGERADOR

Recuerde que es necesario que el refrigerador esté nivelado para que las puertas estén perfectamente apoyadas. Si necesita ayuda, revise la sección previa sobre la nivelación del refrigerador.

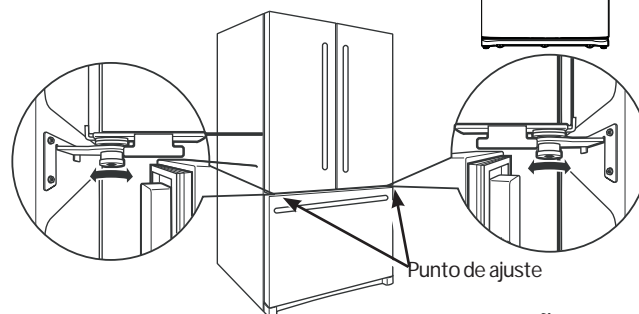
Si las puertas continúan desniveladas, gire el perno ajustable para elevar la puerta inferior usando una llave Allen de 1/4" para girar el perno.



Cuando la puerta izquierda está más baja que la puerta derecha.



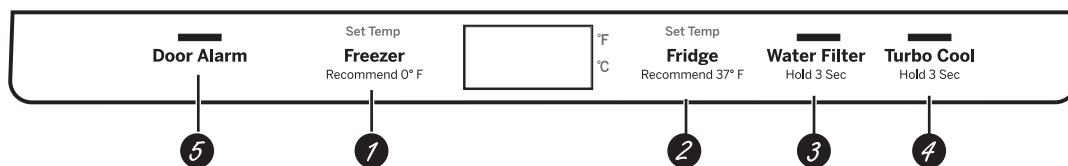
Cuando la puerta izquierda está más alta que la puerta derecha.



USO DEL REFRIGERADOR

CONTROLES

(en algunos modelos)



1 Control de Temperatura del Compartimiento del Congelador

Ajuste la temperatura del compartimiento del congelador. La temperatura del congelador está preconfigurada de fábrica en 0° F (-17.8° C). Espere 24 horas hasta que la temperatura se establezca en los ajustes de configuración previa recomendados.

2 Control de Temperatura del Compartimiento de Refrigerador

Ajuste la temperatura del compartimiento de refrigerador. La temperatura para las refrigerador está preconfigurada de fábrica en 37° F (2.8° C). Espere 24 horas hasta que la temperatura se establezca en los ajustes de configuración previa recomendados.

3 Filtro de Agua

Mantenga presionada esta función durante 3 segundos para reiniciar el Filtro de Agua.

4 Turbo Cool (Frio Turbo)

Para configurar la función **TurboCool™**, presione la tecla Turbo Cool (Frio Turbo) durante 3 segundos. La pantalla mostrará **tc**.

TurboCool™ rápidamente enfría el compartimiento del refrigerador a fin de que la comida se enfríe de forma más rápida. Use **TurboCool™** al agregar una gran cantidad de comida al compartimiento del refrigerador, guardando las comidas que estuvieron a temperatura ambiente o al guardar

restos de comida caliente. También se puede usar si el refrigerador estuvo sin corriente por un periodo prolongado.

NOTA: La temperatura del refrigerador no podrá ser modificada durante el uso de **TurboCool™**. La temperatura del congelador no se verá afectada al usar la función **TurboCool™**. Al abrir la puerta del refrigerador durante el uso de **TurboCool™**, los ventiladores continuarán funcionando si estuvieron activados.

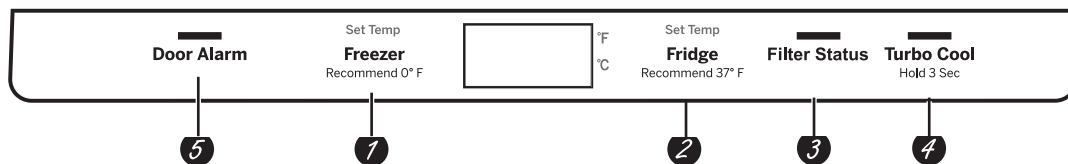
5 Alarma de la Puerta

Para configurar la alarma, presione la tecla **Door Alarm** (Alarma de la Puerta). Esta alarma sonará si una de las puertas permanece abierta por más de 2 minutos. El pitido se detiene cuando se cierra la puerta

NOTA: Para pasar el control del refrigerador a la posición **OFF** (Apagado), de forma simultánea presione las palabras **Congelador** (Congelador) y **Fridge** (Refrigerador) durante 3 segundos. La corriente que va al refrigerador no puede ser desconectada por ninguna configuración del panel de control.

Cómo pasar de °F a °C o de °C a °F: Mantenga presionados los botones **"DOOR ALARM"** (Alarma de la Puerta) y **"FREEZER"** (Freezer) de forma simultánea durante 5 segundos para configurar el paso de °C a °F o de °F a °C.

(en algunos modelos)



1 Control de Temperatura del Compartimiento del Congelador

Ajuste la temperatura del compartimiento del congelador. La temperatura del congelador está preconfigurada de fábrica en 0° F (-17.8° C). Espere 24 horas hasta que la temperatura se establezca en los ajustes de configuración previa recomendados.

2 Control de Temperatura del Compartimiento de Refrigerador

Ajuste la temperatura del compartimiento de refrigerador. La temperatura para las refrigerador está preconfigurada de fábrica en 37° F (2.8° C). Espere 24 horas hasta que la temperatura se establezca en los ajustes de configuración previa recomendados.

3 Estado del Filtro

Presione la tecla **Filter Status** (Estado del Filtro) para mostrar el porcentaje de vida útil del filtro (%).

4 Turbo Cool (Frio Turbo)

Para configurar la función **TurboCool™**, presione la tecla **Turbo Cool** (Frio Turbo) durante 3 segundos. La pantalla mostrará **tc**. **TurboCool™** rápidamente enfría el compartimiento del refrigerador a fin de que la comida se enfríe de forma más rápida. Use **TurboCool™** al agregar una gran cantidad de comida al compartimiento del refrigerador, guardando las

comidas que estuvieron a temperatura ambiente o al guardar restos de comida caliente. También se puede usar si el refrigerador estuvo sin corriente por un periodo prolongado.

NOTA: La temperatura del refrigerador no podrá ser modificada durante el uso de **TurboCool™**. La temperatura del congelador no se verá afectada al usar la función **TurboCool™**. Al abrir la puerta del refrigerador durante el uso de **TurboCool™**, los ventiladores continuarán funcionando si estuvieron activados.

5 Alarma de la Puerta

Para configurar la alarma, presione la tecla **Door Alarm** (Alarma de la Puerta). Esta alarma sonará si una de las puertas permanece abierta por más de 2 minutos. El pitido se detiene cuando se cierra la puerta

NOTA: Para pasar el control del refrigerador a la posición **OFF** (Apagado), de forma simultánea presione las palabras **Congelador** (Congelador) y **Fridge** (Refrigerador) durante 3 segundos. La corriente que va al refrigerador no puede ser desconectada por ninguna configuración del panel de control.

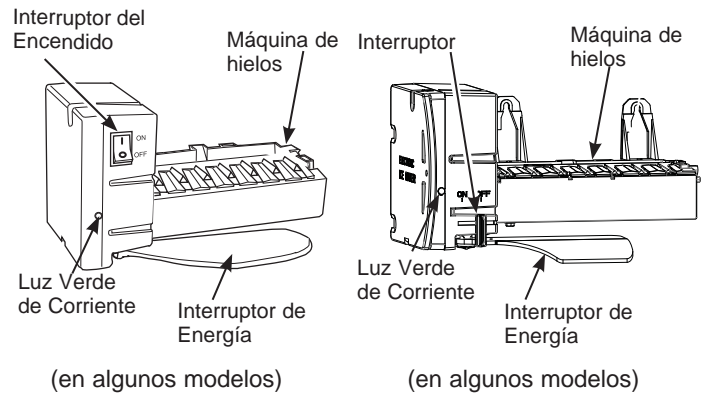
Cómo pasar de °F a °C o de °C a °F: Mantenga presionados los botones **"DOOR ALARM"** (Alarma de la Puerta) y **"FREEZER"** (Congelador) de forma simultánea durante 5 segundos para configurar el paso de °C a °F o de °F a °C.

USO DEL REFRIGERADOR

MODOS SABÁTICOS

Active Sabbath Mode (Modo Sabático) para apagar el control de temperatura y las funciones avanzadas (por ejemplo: alarma de la puerta). Dependiendo del modelo, las luces interiores estarán apagadas o en el nivel de brillo bajo, sin importar si la puerta se encuentra abierta o cerrada. El compresor funcionará con una descongelación por tiempo cuando esté en Sabbath Mode (Modo Sabático).

- Dependiendo del modelo, mantenga presionadas las funciones Alarm (Alarma) y Water Filter (Filtro de Agua) o Alarm (Alarma) y Filter Status (Estado del Filtro) de forma simultánea durante 5 segundos para ingresar y salir del modo Sabbath (Sabático).
- La máquina de hielo se deberá apagar de forma manual durante Sabbath Mode (Modo Sabático). Para apagar la máquina de hielo, configure el interruptor en la posición OFF (Apagado). Para encender la máquina de hielo, configure el Interruptor en la posición ON (Encender).

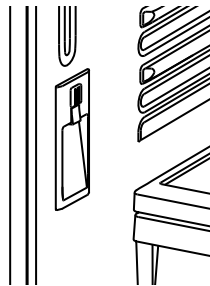


DISPENSADOR DE AGUA INTERNO

El dispensador de agua está ubicado en la pared izquierda dentro del compartimiento del refrigerador.

Para dispensar agua:

1. Sostenga el vaso contra el hueco.
2. Presione el botón dispensador de agua.
3. Sostenga el vaso debajo del dispensador entre 2 y 3 segundos luego de liberar el botón del dispensador. Es posible que continúe dispensando agua luego de que el botón haya sido liberado.



Si no se dispensa agua cuando el refrigerador se instala por primera vez, es posible que la tubería de agua posea aire. Presione el botón dispensador durante por lo menos 5 minutos para eliminar el aire atrapado de la tubería de agua y para llenar el sistema de agua. Durante este proceso, es posible que el dispensador produzca un ruido fuerte a medida que se elimina el aire de la tubería de agua. A fin de limpiar las impurezas en la tubería de agua, descarte los primeros seis vasos de agua.

NOTA: A fin de evitar depósitos de agua, el dispensador debe ser limpiado de forma periódica con un paño limpio o una esponja.

CARTUCHO DEL FILTRO DE AGUA XWFE

El cartucho del filtro de agua está ubicado en el extremo superior trasero derecho del compartimiento de comida fresca del refrigerador.

Modelos selectos utilizan identificación por frecuencia radial (RFID, según sus siglas en inglés) para detectar goteras y monitorear el estado del filtro. La tecnología RFID está certificada por la FCC.

Contiene

FCC ID: ZKJ-294D2018 IC: 10229A-294D2018

"Este dispositivo cumple con la Parte 15 de la Normativa de la FCC. Su funcionamiento está sujeto a las dos condiciones siguientes: (1) Este dispositivo no podrá ocasionar interferencias nocivas, y (2) este dispositivo debe aceptar cualquier interferencia recibida, incluyendo interferencias que puedan ocasionar un funcionamiento no deseado".

"Este dispositivo cumple el estándar(es) de exención de licencia de la RSS de la Industria de Canadá. Su funcionamiento está sujeto a las dos condiciones siguientes: (1) Este dispositivo no podrá ocasionar interferencias, y (2) este dispositivo debe aceptar cualquier interferencia recibida, incluyendo interferencias que puedan ocasionar un funcionamiento no deseado".

CUÁNDO REEMPLAZAR EL FILTRO

Si existe una luz indicadora de reemplazo del cartucho del filtro de agua en el dispensador, una luz roja del filtro comenzará a parpadear a fin de indicar que es necesario reemplazar el filtro pronto.

- La luz del filtro parpadeará mientras la puerta se encuentre abierta hasta que el filtro sea reemplazado.

El cartucho del filtro deberá ser reemplazado cada seis meses, o antes si se observa una reducción en el flujo de agua hacia el dispensador o la máquina de hielos.

RETIRO DEL FILTRO

Si reemplazará el filtro, primero retire el anterior:

1. Abra la carcasa del cartucho del filtro presionando las 2 lengüetas frontales y empujando de forma suave hacia abajo.
2. Gire el filtro hacia abajo.
3. De forma suave, tome el filtro y lentamente dé al mismo aproximadamente $\frac{1}{4}$ de giro en sentido antihorario. El filtro deberá liberarse de forma automática cuando lo haya rotado lo suficiente hacia la izquierda. Es posible que gotee una pequeña cantidad de agua.

⚠ PRECAUCIÓN

Si quedó aire atrapado en el sistema, es posible que el cartucho sea eyectado en el momento en que se retire. Tenga cuidado al retirar el mismo.

USO DEL REFRIGERADOR

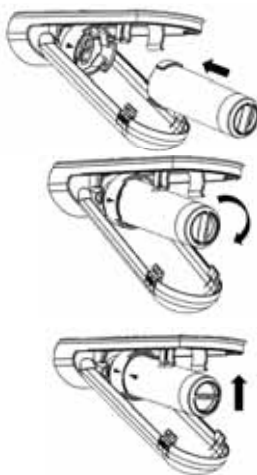
CARTUCHO DEL FILTRO DE AGUA XWFE (Cont.)

TAPÓN DE BYPASS DEL FILTRO

A fin de reducir el riesgo de daños sobre la propiedad debido a pérdidas de agua, usted DEBERÁ usar el tapón del bypass del filtro cuando no se disponga de un reemplazo del cartucho del filtro. Algunos modelos no vienen equipados con el tapón del filtro del bypass. A fin de obtener un tapón del filtro del bypass, comuníquese al 877.337.3639 o visite nuestro sitio Web Haierparts.com. En Canadá, comuníquese al 800.661.1616. El dispensador y la máquina de hielos no funcionarán si el filtro o el tapón del bypass del filtro no están instalados. El tapón del bypass se instala del mismo modo que un cartucho del filtro.

INSTALACIÓN DEL FILTRO EN UN REFRIGERADOR CON FREEZER EN LA PARTE INFERIOR

1. Abra la carcasa del cartucho del filtro presionando las 2 lengüetas frontales y empujando de forma suave hacia abajo.
2. Alinee los puertos del filtro con los puertos de la carcasa del cartucho del filtro, e inserte el filtro de forma suave.
3. Lentamente, gire el filtro hacia la derecha hasta que se detenga. **NO LO AJUSTE EN EXCESO.** Mientras gira el filtro, el mismo se ajustará automáticamente en su posición. El filtro girará aproximadamente ¼" o 90 grados, hasta que la flecha del mismo quede alineada con la flecha de la carcasa del cartucho del filtro.



4. Lentamente empuje el filtro hacia arriba sobre los sujetadores.
5. Cierre la carcasa del cartucho del filtro presionando la tapa de forma suave hacia arriba, hasta que las lengüetas queden bloqueadas en su posición.

6. **Para los modelos con dispensador únicamente** - Deje correr una cantidad de agua desde el dispensador de 2 galones (7.6 litros) o durante aproximadamente 5 minutos para limpiar el sistema. Es posible que el agua salga a chorros o se podrán visualizar burbujas de agua durante el proceso. Si no fluye agua, realice un control para asegurarse de que el filtro haya sido girado completamente hacia la derecha.

Para los modelos con máquina de hielo únicamente - Descarte la primera cubitera de hielo para permitir que el aire sea purgado del sistema. Un cartucho del filtro instalado de forma reciente hará que el agua salga a chorros del cuerpo de la máquina de hielo, lo cual podrá generar gotitas de hielo alrededor del área de la máquina de hielo. **NOTA:** Es normal que estas gotitas y la producción inicial de hielo se vean descoloradas durante la purga inicial del sistema. El color del hielo volverá a la normalidad luego de la producción de la primera cubitera de hielo.

7. Mantenga presionado el botón **RESET WATER FILTER** (Reiniciar el Filtro de Agua) del dispensador durante 3 segundos. En modelos selectos, el reinicio del filtro será automático cuando se instale un nuevo filtro.

Pautas de Aplicación/ Suministro de Agua

Flujo del Servicio	0.5 gpm (1.89 lpm)
Suministro de Agua	Agua Potable
Presión del Agua	25-120 psi (172-827 kPa)
Temperatura del agua	33°F-100°F (0.6°C-38°C)
Capacidad	170 galones (643.5 litros)

Regístrese para **RECORDATORIOS DE TEXTO**, enviados **REPLACE** (Reemplazar) por mensaje de texto al 70543.

⚠ ADVERTENCIA

A fin de reducir el riesgo asociado con asfixia, no permita que los niños menores de 3 años tengan acceso a las partes pequeñas durante la instalación de este producto. El cartucho del filtro descartable deberá ser reemplazado cada 6 meses luego de agotar su capacidad, o antes si se produce una reducción notoria en el caudal.

Para obtener el máximo beneficio de su sistema de filtrado, Haier recomienda el uso de los filtros de la marca GE Appliances únicamente. El uso de filtros de la marca GE Appliances en refrigeradores Haier brinda un óptimo funcionamiento y confiabilidad. Los filtros de GE Appliances cumplen con rigurosos estándares NSF de la industria sobre seguridad y calidad, que son importantes para los productos que están filtrando su agua. Haier no posee filtros de la marca GE Appliances que no estén calificados para su uso en refrigeradores Haier, y no existe seguridad de que los filtros que no son de la marca GE Appliances cumplan con los estándares de Haier en relación a calidad, funcionamiento y confiabilidad.

Ante cualquier consulta, o para ordenar cartuchos de filtros adicionales, visite nuestro sitio Web en HaierParts.com o llame a Haier al 877.337.3639. (En Canadá, GEAppliances.ca o llame al 800.661.1616)

USO DEL REFRIGERADOR

ESTANTES Y RECIPIENTES

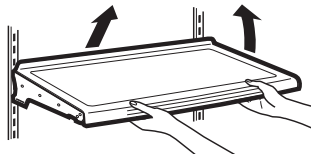
No todas las funciones corresponden a todos los modelos.

REORGANIZACIÓN DE LOS ESTANTES DEL REFRIGERADOR

Los estantes del compartimiento del refrigerador son ajustables.

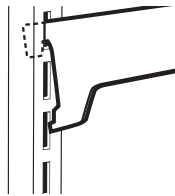
Para retirar los estantes:

1. Retire todos los productos del estante.
2. Inclíne el estante hacia arriba en la parte frontal.
3. Levante el estante desde la parte trasera y retire el mismo.



Para reemplazar los estantes:

1. Al inclinar el estante hacia arriba, inserte el gancho superior en la parte trasera del estante en una ranura del soporte.
2. Inclíne la parte frontal del estante hasta que la parte inferior del mismo quede bloqueado.

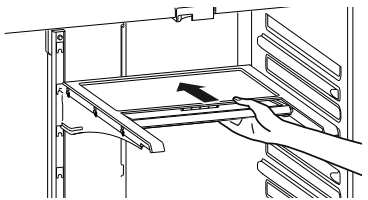
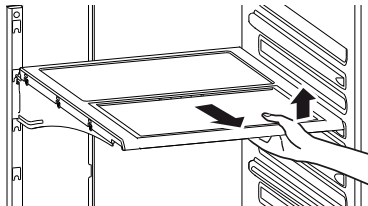


ESTANTE QUICK SHELF

Este estante se divide a la mitad y se desliza por debajo de sí mismo para almacenar productos altos en el estante de abajo.

Este estante puede ser retirado y reemplazado o reubicado.

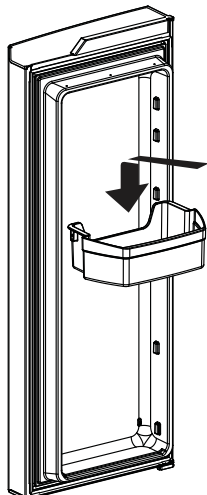
NOTA: La mitad trasera del Estante Quick Space no es ajustable.



ANAQUELES DE PUERTAS AJUSTABLES

Para su retiro: levante el anaquel de forma recta y luego empuje hacia afuera.

Para su reemplazo: adhiera el anaquel a los soportes moldeados de la puerta y empuje hacia abajo hasta que quede bloqueado.



CAJONES

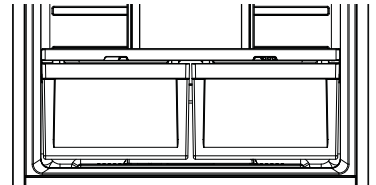
No todas las funciones corresponden a todos los modelos.

CAJONES CON CLIMA REGULADO

Mantenga las frutas y verduras organizadas en compartimientos separados para un fácil acceso. El exceso de agua que se puede acumular en la parte inferior de los cajones o debajo de los mismos se deberá limpiar.

Para retirar la cajón:

Deslice la cajón hacia fuera de la posición de detención, levante la misma hasta la posición de detención y empuje hacia delante.



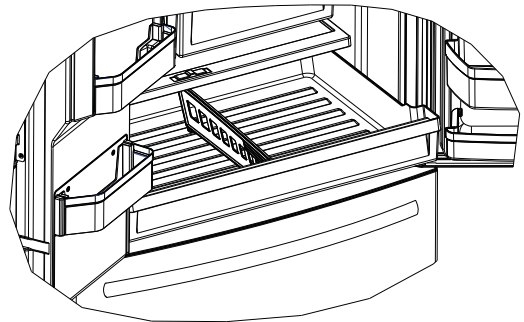
CAJÓN DE ANCHO COMPLETO

Para retirar la cajón:

1. Empuje la cajón hacia fuera hasta su posición de detención.
2. Levante la parte frontal del cajón hacia arriba y hacia afuera.

Para reemplazar la cajón:

1. Primero coloque la parte trasera del cajón y gire el frente hacia del mismo hacia abajo para que se apoye en las correderas.
2. Empuje el cajón hacia adentro hasta la posición cerrada.



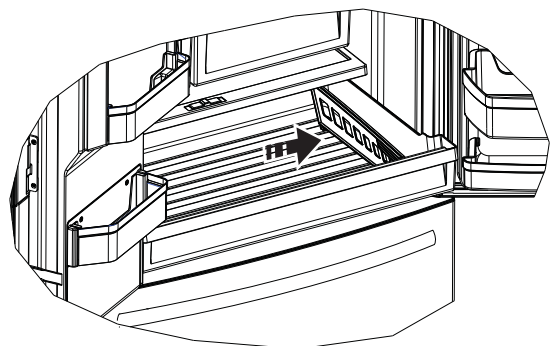
RETIRO Y REINSTALACION DEL DIVISOR DEL CAJÓN

Para su retiro:

1. Empuje el cajón hacia fuera hasta la posición de detención.
2. Deslice el divisor de cajones hacia la derecha para liberar el mismo de la cajón.

Para su Reinstalacion:

Invierta los pasos 1 y 2 para reemplazar el divisor del cajón.

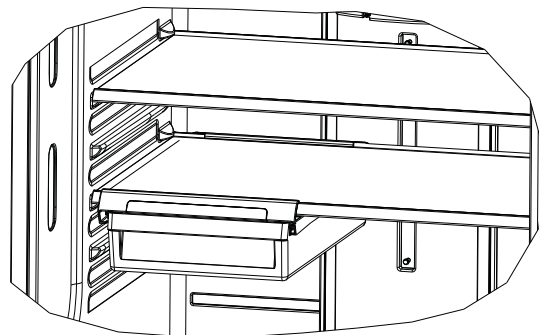


USO DEL REFRIGERADOR

CAJÓN DE REFRIGERIOS FLOTANTE

Esta cajón se podrá mover a la ubicación más útil para las necesidades de su familia.

Para retirar el cajón, deslice la misma hacia fuera hasta la posición de detención, levante la misma hasta la posición de detención y retírela.



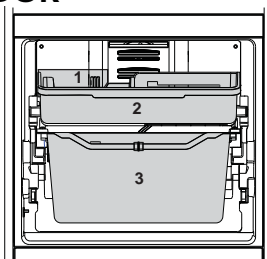
CAJÓN DEL CONGELADOR

No todas las funciones corresponden a todos los modelos.

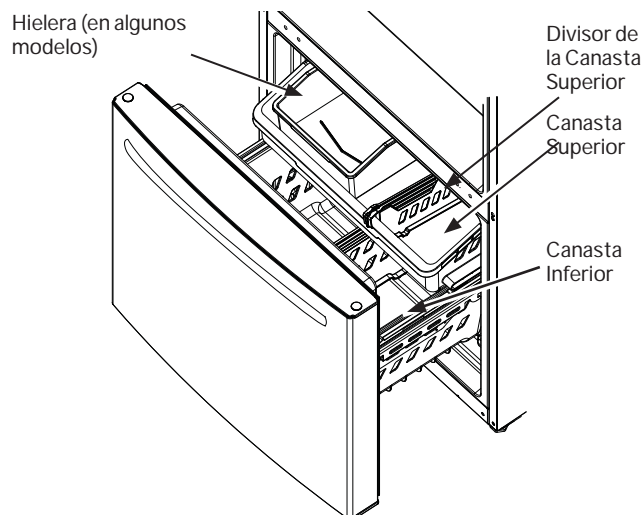
CANASTAS DEL CONGELADOR

1. Una cubeta en la canasta superior (en algunos modelos)
2. Una canasta superior.
3. Una canasta inferior (con divisor – en algunos modelos)

NOTA: No supere el borde al llenar las canastas. Esto podrá hacer que las canastas se claven o atasquen al abrirlas o cerrarlas.



Las funciones y apariencia pueden variar.



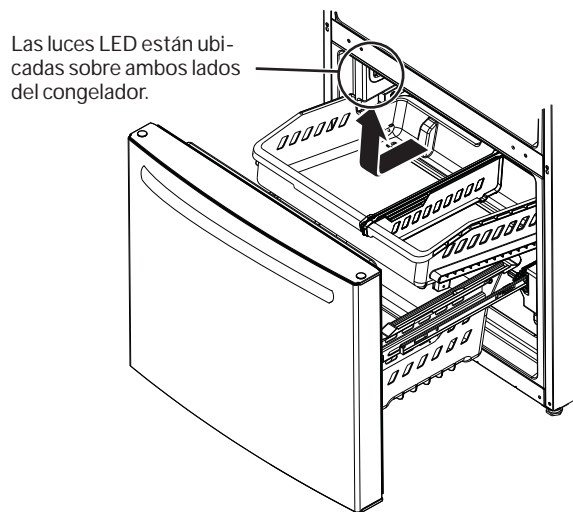
RETIRO DE LA CANASTA SUPERIOR

Para retirar la canasta superior en los modelos con cajón de congelador:

1. Empuje el cajón hacia fuera hasta su posición de detención.
2. Levante la canasta para liberarla de las correderas.

Al reemplazar la canasta, asegúrese de que quede montada sobre los rieles laterales y sobre las correderas de la canasta inferior.

NOTA: Siempre asegúrese de cerrar totalmente esta canasta.



USO DEL REFRIGERADOR

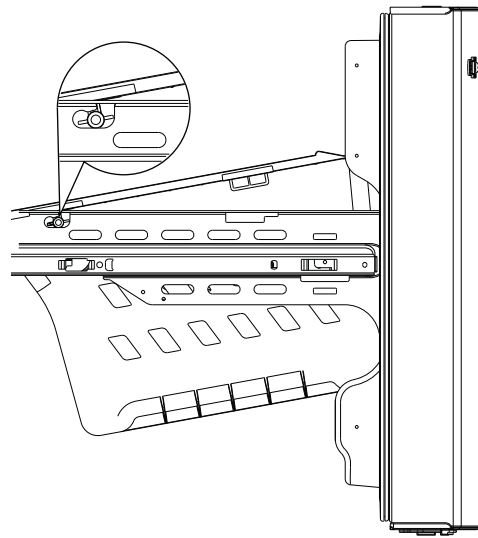
RETIRO DE LA CANASTA INFERIOR

Para retirar la canasta inferior en los modelos con cajón de congelador:

1. Abra el cajón inferior del congelador hasta que se detenga.
2. Retire la canasta superior del congelador.
3. La canasta inferior del congelador se apoya sobre las lengüetas internas de las correderas del cajón.
4. Levante el frente de la canasta y empuje hacia delante.
5. Libere el perno de la ranura para retirar la canasta.

Al reinstalar la canasta inferior, inclínala hacia atrás y asegure que los pernos entren en las ranuras de los soportes, deslice hacia atrás y dejéjala en posición horizontal.

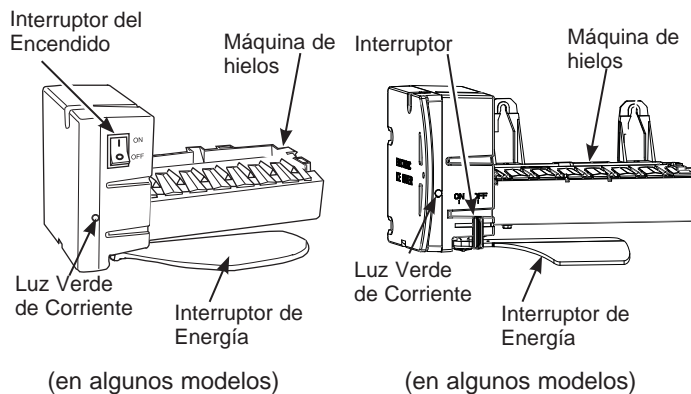
NOTA: Siempre asegúrese de que la canasta quede apoyada en las lengüetas de los soportes, antes de volver a deslizar el cajón en el congelador.



FABRICA DE HIELOS AUTOMÁTICA

Puede llevar entre 12 y 24 horas que un refrigerador recién instalado comience a fabricar hielo.

La máquina de hielos producirá siete cubos por ciclo, y aproximadamente entre 100 y 130 cubos en un periodo de 24 horas, dependiendo de la temperatura del compartimiento del congelador, la temperatura ambiente, la cantidad de veces que se abra la puerta y otras condiciones de uso.



Si el refrigerador se utiliza antes de realizar la conexión del agua a la máquina de hielos, configure el interruptor en la posición OFF (Apagado).

Cuando el refrigerador haya sido conectado al suministro de agua, ajuste el interruptor de corriente en la posición ON (Encendido).

La máquina de hielos se llenará de agua cuando se enfríe y llegue a los 15°F (-10°C). Puede llevar entre 12 y 24 horas que un refrigerador recién instalado comience a fabricar hielo.

Es posible que escuche un zumbido cada vez que la máquina de hielos se llene de agua.

Descarte las primeras cantidades de hielo para permitir que el suministro de agua se despeje.

Asegúrese de que nada interfiera con la extensión del interruptor de energía.

Cuando el cubo se llene hasta el nivel del interruptor de energía, la máquina de hielos dejará de producir hielo. Es normal que varios cubos queden juntos.

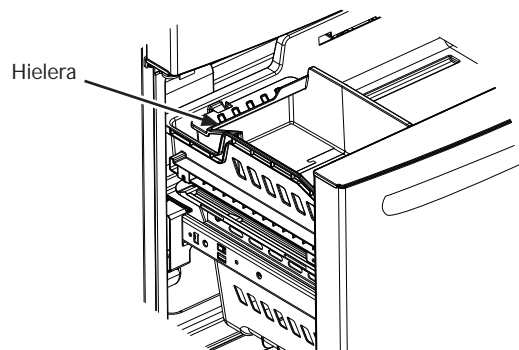
Si el hielo no se usa con frecuencia, los cubos de hielo viejos se volverán turbios, con sabor rancio y su tamaño se reducirá.

NOTA: En hogares con un nivel de presión inferior a la normal, es posible que escuche que la válvula de agua de la máquina de hielos realice varios ciclos para producir una cantidad de hielo.

⚠ PRECAUCIÓN

Para minimizar el riesgo de lesiones personales, evite el contacto con las partes móviles del mecanismo eyector o con el elemento de calefacción que libera los cubos. No coloque los dedos ni las manos en el mecanismo de la máquina de hielos automática mientras el refrigerador esté enchufado.

Hay acumulación de hielos en el compartimiento del congelador, ubicado del lado izquierdo de la canasta superior. Empuje la canasta superior hacia adelante para retirar la hielera.



CUIDADO DEL REFRIGERADOR

ACERO INOXIDABLE RESISTENTE A MARCAS TÁCTILES*, ACERO INOXIDABLE NEGRO, LOSA, LOSA OSCURA, PINTADO - Instrucciones para la Limpieza de Superficies Exteriores, Manijas de Puertas y Bordes

⚠ NO use limpiadores para Acero Inoxidable sobre las superficies de las puertas. ⚠

IMPORTANTE: El uso de productos inadecuados podrá dañar el acabado exterior de los modelos de Acero Inoxidable Resistente a Marcas Dactilares y de Acero Inoxidable Negro. Por favor, siga estas instrucciones y use sólo los siguientes ítems adecuados para limpiar las superficies de su electrodoméstico.

- Limpie las superficies interior/ exterior con agua caliente, jabón suave o detergente, y con una tela de microfibra para evitar daños.
- Seque la superficie del electrodoméstico con una tela suave y limpia o con una toalla de microfibra, a fin de evitar manchas o marcas de gotas de agua.

USE	NO USE	
Telas suaves y limpias o esponjas Tela de microfibra	Telas abrasivas, toallas de papel, esponjas de fregar (con o sin jabón), almohadillas de estropajo o de lana de acero	
Detergente suave mezclado con agua caliente	Polvos, líquidos, o rociadores abrasivos Rociadores de ventana, moníaco, o blanqueador Limpiadores a base de cítrico o aceite vegetal Limpiadores ácidos o a base de vinagre	Limpiadores de horno Limpiadores alcalinos Limpiador de acero inoxidable

*Elimine fácilmente manchas y huellas dactilares.

ACERO INOXIDABLE - Instrucciones para la Limpieza de Superficies Exteriores, Manijas de Puertas y Bordes

NOTA: NO permita que el limpiador de acero inoxidable entre en contacto con cualquier parte plástica tal como partes de bordes, materiales de manijas y cobertores. Si se produce un contacto no intencional de los limpiadores con las partes plásticas, limpie estas últimas con una esponja y un detergente suave mezclado con agua caliente.

USE	NO USE
Telas suaves y limpias o esponjas	Telas abrasivas, esponjas de fregar, almohadillas de estropajo o de lana de acero
Detergente suave mezclado con agua caliente Limpiadores de acero inoxidable aprobados. Visite la tienda de piezas de Haier Appliances para acceder a limpiadores de acero inoxidable aprobados: Haierappliances.com o comuníquese al 877.337.3639 . Los limpiadores con ácido oxálico tales como Bar Keepers Friend Soft Cleanser™ podrán ser usados para eliminar el óxido, deslustres y pequeñas manchas de las superficies de acero inoxidable únicamente.	Polvos o rociadores abrasivos Rociadores de Ventana o Amoniaco Limpiadores a base de cítrico o aceite vegetal Limpiadores ácidos o a base de vinagre Limpiadores de horno Limpiadores que contengan acetona (propanona) Cualquier limpiador con ADVERTENCIAS sobre el contacto con el plástico

CUIDADO DEL REFRIGERADOR

LIMPIEZA DE LA PARTE INTERNA

Desenchufe el refrigerador antes de limpiar.

Si esto no resulta práctico, estruje el exceso de humedad para eliminarlo de la esponja o tela al limpiar alrededor de los interruptores, luces o controles.

Use un pulidor de cera para electrodomésticos en la superficie interna entre las puertas.

⚠ PRECAUCIÓN

No limpie estantes de vidrio ni tapas con agua caliente cuando estén fríos. Los estantes de vidrio y las tapas se pueden romper si son expuestos a cambios de temperatura repentinos o impactos tales como golpes o caídas. El vidrio templado está diseñado para destruirse en pequeñas piezas en caso de rotura.

Use agua caliente y solución de bicarbonato de sodio — aproximadamente una cucharada sopera (15 ml.) de bicarbonato de sodio para un cuarto de galón (1 litro) de agua. Esto limpia y neutraliza los olores. Enjuague y seque.

DETRÁS DEL REFRIGERADOR

Tenga cuidado al alejar el refrigerador de la pared. Cualquier tipo de cobertura de piso puede ser dañada, particularmente las coberturas acolchonadas y aquellas con superficies con relieves.

Levante las patas niveladoras ubicadas en la parte frontal inferior del refrigerador.

Empuje el refrigerador hacia afuera de forma recta y regrese el mismo a su posición empujándolo hacia dentro. Mover el refrigerador hacia una ubicación lateral podrá ocasionar daños sobre la cobertura del piso o el refrigerador.

Baje las patas niveladoras hasta que toquen el piso

Al volver a empujar el refrigerador, asegúrese de que no atraviese el cable de corriente ni la tubería de suministro de agua.

PREPARACIÓN PARA LAS VACACIONES

Si estará de vacaciones o ausente por tiempo prolongado, retire la comida y desenchufe el refrigerador. Limpie la parte interna con una solución de bicarbonato de sodio de una cucharada sopera (15 ml) de bicarbonato de sodio para un cuarto de galón (1 litro) de agua. Deje las puertas abiertas.

Si la temperatura puede llegar a estar por debajo del límite de congelación, solicite a un técnico calificado que drene el sistema de suministro de agua a fin de prevenir daños graves sobre la propiedad debido a una inundación.

- 1) Desenchufe el refrigerador.
- 2) Vacíe la hielera
- 3) Cierre el suministro de agua

Si cierra el suministro de agua, apague la máquina de hielos (pg. 79).

Al regresar de sus vacaciones, reemplace el filtro de agua.

PREPARACIÓN PARA LA MUDANZA

Asegure todos los artículos tales como estantes y cajones, pegando los mismos de forma segura en sus respectivos lugares a fin de evitar daños.

Al usar un carro manual para mover el refrigerador, no deje que la parte frontal ni la parte trasera descansen contra el carro manual. Esto podría dañar el refrigerador.

Lleve el mismo sólo sobre los costados del refrigerador.

Asegúrese de que el refrigerador permanezca en una posición erguida durante el movimiento.

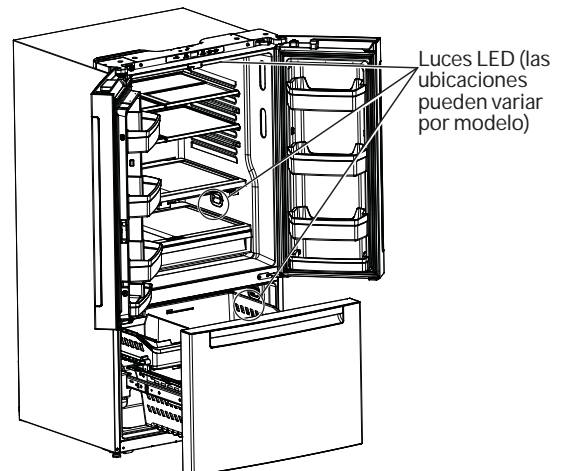
REEMPLAZO DE LAS LUCES

El compartimiento de refrigerador cuenta con iluminación LED en la parte superior central y del lado izquierdo y derecho sobre las cajones con clima regulado en los modelos con puerta francesa.

La iluminación LED está ubicada en la parte superior del compartimiento de refrigerador de los modelos con una sola puerta.

Las luces LED también están ubicadas en la parte superior de los costados izquierdo y derecho del congelador en todos los modelos. Será necesario que un técnico autorizado reemplace la luz LED.

En caso de ser necesario un reemplazo de este ensamble, llame servicio al 877.337.3639 en Estados Unidos o al 877.470.9174 en Canadá.



SOLUCIÓN DE PROBLEMAS

Pruebe las soluciones sugeridas aquí y posiblemente se evite el gasto de una visita de servicio técnico.

Problema	Posibles causas	Qué hacer
La luz LED de Indicación del Estado del Filtro se vuelve ámbar	El filtro está alcanzando el final de su vida útil	Presione la tecla Filter Status (Estado del Filtro) para mostrar la vida útil restante del filtro.
La luz LED de Indicación del Estado del Filtro se vuelve roja	El filtro caducó	Presione la tecla Filter Status (Estado del Filtro) para mostrar la vida útil restante del filtro. Si la pantalla muestra 0%, el filtro deberá ser reemplazado. Cuando la unidad haya detectado un filtro nuevo (un filtro ha sido reemplazado), la luz LED del Estado del Filtro parpadeará 3 veces y luego permanecerá apagada para indicar que el filtro fue reemplazado con éxito.
LEAK (Goteo) o desplazamiento de "LEAK" (Goteo) sobre la pantalla El agua fue deshabilitada La luz LED de Indicación del Estado del Filtro parpadea de color rojo Sonido de alarma	Fuga de filtro detectada	Reemplace el filtro. Limpie el filtro/ el área circundante si no hay agua luego del reemplazo del filtro.
"Err" (Error) en la pantalla El agua fue deshabilitada La luz LED de Indicación del Estado del Filtro parpadea de color rojo Sonido de alarma	El filtro no fue detectado No hay comunicación con el filtro	Verifique que posee el filtro XWFE y no el XWF. Verifique que no haya rayones ni daños sobre la etiqueta del filtro. Reemplace el filtro si la etiqueta del mismo muestra daños.
El refrigerador emite un pitido al presionar la paleta del dispensador	El filtro no está instalado de forma apropiada Pérdida de agua en el filtro	Reemplace el filtro o asegúrese de que el filtro de agua esté correctamente instalado (consulte la sección del filtro de agua).
El refrigerador no funciona	El refrigerador se encuentra en el ciclo de descongelamiento	Espere unos 30 minutos hasta que el ciclo de descongelamiento finalice.
	Uno o ambos controles se encuentran configurados en OFF (Apagado).	Ajuste los controles en una configuración de temperatura inferior.
	El refrigerador está desenchufado.	Presione el enchufe completamente dentro del tomacorriente.
	Se quemó el fusible/ el disyuntor está activado	Reemplace el fusible o reinicie el disyuntor.
	El refrigerador se encuentra en el modo de sala de exposición.	Desenchufe el refrigerador y vuelva a enchufarlo.
Vibración normal o ruidosa (una vibración leve es normal).	Las patas niveladoras deben ser ajustadas.	Consulte la sección de Nivelación del refrigerador.
El motor funciona durante períodos prolongados o realiza ciclos de encendido y apagado de forma frecuente. (Los refrigeradores modernos con mayor espacio de almacenamiento y un freezer más grande requieren más tiempo de funcionamiento. Se activan y se detienen con frecuencia para mantener temperaturas parejas).	Es normal cuando el refrigerador se enchufa por primera vez.	Espere 24 horas hasta que el refrigerador se enfríe completamente.
	Sucede con frecuencia cuando se colocan grandes cantidades de comida en el refrigerador.	Esto es normal.
	Se dejó la puerta abierta.	Controle que no haya paquetes que impidan que la puerta se cierre.
	Clima cálido o apertura frecuente de la puerta.	Esto es normal.
	Los controles de temperatura están configurados en la posición más fría.	Consulte la sección de Controles.
Compartimiento del refrigerador o del freezer demasiado caliente	El control de temperatura no se configuró en un nivel lo suficientemente frío.	Consulte la sección de Controles.
	Clima cálido o se abre la puerta con frecuencia.	Configure el control de temperatura un paso más frío. Consulte la sección de Controles.
	Se dejó la puerta abierta.	Controle que no haya paquetes que impidan que la puerta se cierre.
Cristales de escarcha o hielo en alimentos congelados (la escarcha dentro de paquetes es normal)	Se dejó la puerta abierta.	Controle que no haya paquetes que impidan que la puerta se cierre.
	Se abre la puerta de forma muy frecuente o por períodos demasiado largos.	Esto es normal.
El divisor de los compartimientos del refrigerador y del freezer se siente caliente	El sistema de ahorro de energía automático hace circular líquido caliente alrededor del extremo frontal del compartimiento del freezer.	Esto ayuda a evitar la condensación en la parte exterior.

SOLUCIÓN DE PROBLEMAS

Pruebe las soluciones sugeridas aquí y posiblemente se evite el gasto de una visita de servicio técnico.

Problema	Posibles causas	Qué hacer
La máquina de helos automática no funciona	El interruptor de corriente de la máquina de helos se encuentra en la posición OFF (Apagado).	Configure el interruptor de corriente en la posición ON (Encendido).
	El suministro de agua está apagado o no está conectado.	Consulte la sección sobre Instalación la Cañería de Agua.
	El compartimiento del freezer está demasiado caliente.	Espere 24 horas hasta que el refrigerador se enfríe completamente.
	Los cubos apilados en el estante de almacenamiento hacen que la máquina de helos se apague.	Nivele los cubos en forma manual.
	Los cubos de hielo quedan atorados en la máquina de hacer hielo.	Apague la máquina de helos, retire los cubos, y vuelva a encender la máquina de helos.
	El filtro no está instalado de forma apropiada. Pérdida de agua en el filtro.	Reemplace el filtro o asegúrese de que el filtro de agua esté correctamente instalado (consulte la sección del filtro de agua).
Al enfriarse el freezer, la comida fresca no se enfría	Es normal, cuando el refrigerador se enchufa por primera vez o luego de un corte de corriente prolongado	Espere 24 horas para que en ambos compartimientos se alcancen las temperaturas seleccionadas.
Los cubos de hielo tienen olor/ gusto	Es necesario limpiar los estantes de almacenamiento de hielo.	Vacíe y lave el estante. Descarte los cubos viejos.
	La comida transmite olor/ gusto a los cubos de hielo.	Envuelva bien las comidas.
	Es necesario limpiar el interior del refrigerador.	Consulte la sección de Cuidado y Limpieza.
Cubos pequeños o huecos	Filtro de agua obstruido.	Reemplace el cartucho del filtro por un cartucho nuevo con el enchufe.
Congelamiento lento de los cubos de hielo	Se dejó la puerta abierta.	Controle que no haya paquetes que impidan que la puerta se cierre.
	Controle que no haya paquetes que impidan que la puerta se cierre.	Consulte la sección de Controles.
"Sonido de zumbido" frecuente	El interruptor de la máquina de helos se encuentra en la posición Encendido, pero el suministro de agua al refrigerador no fue conectado.	Configure el interruptor en la posición Apagado. Mantenerlo en la posición Encendido dañará la válvula de agua.
Brillo anaranjado en el freezer	El calentador de descongelamiento se encuentra encendido.	Esto es normal.
El agua tiene mal gusto/ olor	El dispensador de agua no fue usado durante un tiempo prolongado.	Dispense agua hasta que toda el agua en el sistema sea repuesta.
El agua del primer vaso está caliente	Es normal cuando el refrigerador es instalado por primera vez.	Espere 24 horas hasta que el refrigerador se enfríe completamente.
	El dispensador de agua no fue usado durante un período de tiempo prolongado.	Dispense agua hasta que toda el agua del sistema sea repuesta.
	El sistema de agua fue drenado.	Espere varias horas hasta que el suministro repuesto se haya enfriado.
El dispensador de agua no funciona	Suministro de agua apagado o no conectado.	Lea la sección de Instalación de la cañería de agua
	Filtro de agua tapado.	Reemplace el cartucho del filtro o remueva el filtro e instale el tapón.
	Aire atrapado en el sistema del agua.	Presione el brazo del dispensador por un par de minutos.
	El dispensador está en LOCKED (Bloqueado).	Mantenga presionada la tecla LOCK (Bloqueo) durante 3 segundos.
El agua chorrea del dispensador	Cartucho del filtro recién instalado.	Deje correr agua del dispensador durante 3 minutos (aproximadamente un galón y medio).
El agua no es dispensada pero la máquina de hielo está funcionando	El agua de la reserva está congelada.	Llame al servicio técnico.
	La configuración del control del refrigerador está graduada demasiado fría.	Modifique la configuración a una posición más caliente.
No sale agua y la máquina de hielo no funciona	Está tapada la línea de agua o la llave de paso.	Llame a un plomero.
	Filtro de agua tapado.	Reemplace el cartucho del filtro o remueva el filtro e instale el tapón.
	El filtro no está instalado de forma apropiada Pérdida de agua en el filtro.	Reemplace el filtro o asegúrese de que el filtro de agua esté correctamente instalado (consulte la sección del filtro de agua).
El refrigerador huele	Alimentos transmitiendo olores al refrigerador.	Alimentos con olores fuertes deben estar tapados. Guarde una caja de bicarbonato de sodio en el refrigerador; cámbiela cada tres meses.
	El interior requiere limpieza.	Lea la sección de Cuidado y limpieza
Se forma humedad en la superficie del refrigerador	No es extraño durante periodos de alta humedad.	Seque la superficie
Humedad se forma al interior (en clima húmedo, el aire lleva la humedad al refrigerador cuando las puertas se abren)	Aperturas de puerta frecuentes o por mucho tiempo.	Esto es normal.
	Debido al alto nivel de humedad en el refrigerador, es posible que ocasionalmente se empañe o que se produzcan pequeñas cantidades de humedad en el compartimiento del refrigerador.	Esto es normal y puede variar dependiendo de las cantidades de comida y condiciones climáticas. Seque con una toalla de papel si lo desea.

SOLUCIÓN DE PROBLEMAS

Pruebe las soluciones sugeridas aquí y posiblemente se evite el gasto de una visita de servicio técnico.

Problema	Posibles causas	Qué hacer
La luz interna no funciona	No hay corriente en el tomacorriente.	Reemplace el fusible o reinicie el interruptor de protección.
	Para luces LED	Llame al servicio técnico - ver Reemplazo de las Luces
Aire caliente de la parte de abajo del refrigerador	Flujo de aire que está enfriando al motor. En el proceso de refrigeración, es normal que salga calor de la parte inferior del refrigerador. Algunas cubiertas de piso son sensibles y se decolorarán ante estas temperaturas normales y seguras.	Esto es normal.
El refrigerador nunca se apaga pero las temperaturas están bien	La descongelación adaptable mantiene el compresor funcionando durante las aperturas de la puerta.	Esto es normal. El refrigerador concluirá su ciclo cuando la puerta permanezca cerrada durante 2 horas
El refrigerador emite un sonido	La puerta está abierta.	Cierre la puerta.
La puerta no cierra correctamente	La junta de la puerta del lado de la bisagra se está adhiriendo o doblando.	Aplique parafina sobre la cara de la junta.
La temperatura real no es equivalente a la temperatura configurada	La unidad se acaba de enchufar.	Espere 24 horas hasta que el sistema se estabilice.
	La puerta se mantuvo abierta durante demasiado tiempo.	Espere 24 horas hasta que el sistema se estabilice.
	Se agregó comida caliente al refrigerador.	Espere 24 horas hasta que el sistema se estabilice.
	El ciclo de descongelamiento está en proceso.	Espere 24 horas hasta que el sistema se estabilice.
La gaveta no se cierra sola	Las patas niveladoras necesitan ajuste.	Consulte la Bivele el refrigerador
La gaveta del congelador se abre cuando la puerta del refrigerador está cerrada	Esto es normal si después de abrirse, la gaveta del congelador se cierra sola.	Esto indica que hay un buen sellante en la gaveta del congelador. Si la gaveta del congelador no se cierra automáticamente después de abrirse, entonces consulte la sección anterior, Problema: La gaveta del refrigerador no se cierra sola.
La comida se congela en el refrigerador	La comida está demasiado cerca de la ventilación de aire, en la parte trasera del refrigerador.	Aleje la comida de la ventilación de aire.
	El control del refrigerador está ajustado demasiado frío.	Mueva el control del refrigerador a una configuración de temperatura más alta, realizando un incremento a la vez.
El agua se está fugando del dispensador	El vaso no está siendo sostenido debajo del dispensador por suficiente tiempo después de que el botón es liberado.	Sostenga el vaso debajo del dispensador por 2 ó 3 segundos después de liberar el botón del dispensador. El agua podría continuar dispensándose después de que el botón sea liberado.
	Puede haber aire presente en el sistema de la tubería del agua que causa que el agua gotee después de que el agua se haya dispensado.	Dispense agua por al menos 2 minutos para retirar el aire del sistema.
La pantalla muestra tc	La función TurboCool se encuentra activada.	Ver las secciones Controles
La luz del indicador del filtro de agua cambió de color	Esto es normal.	Ver Acerca del cartucho del filtro de agua XWFE
La luz del indicador del filtro de agua continúa roja aún después de haber cambiado el filtro de agua	Filtro instalado de forma incorrecta Se detectaron pérdidas Uso de un filtro vencido	Verifique que posee el filtro XWFE y no el XWF. Verifique que no haya rayones ni daños sobre la etiqueta del filtro. Reemplace el filtro si la etiqueta del filtro muestra daños. Ver Acerca del cartucho del filtro de agua XWFE
La luz del indicador del filtro de agua no está encendida	Esto es normal. Cuando la luz se vuelva roja, deberá de hacer el cambio de filtro.	Ver Acerca del cartucho del filtro de agua XWFE
Las puertas del refrigerador no están parejas (en modelos de Puerta Francesa únicamente)	Es necesario realinear las puertas.	Consulte la sección de Nivelación de las Puertas del Refrigerador.
Consulte la sección de Nivelación de las Puertas del Refrigerador.	Las canastas están demasiado llenas.	Para abrir: retire algunos de los productos desde la canasta cuando se abra tanto como sea posible. Vuelva a ajustar los productos que quedaron en la canasta e intente abrir esta última nuevamente. Para cerrar: Vuelva a ajustar los productos de la canasta o retire cualquier producto que se encuentre sobre el borde de la canasta y cierre la misma.
La luz del indicador del filtro de agua cambió de color	Esto es normal.	Ver Acerca del cartucho del filtro de agua XWFE
La luz del indicador del filtro de agua continúa roja aún después de haber cambiado el filtro de agua	Filtro instalado de forma incorrecta Se detectaron pérdidas Uso de un filtro vencido	Verifique que posee el filtro XWFE y no el XWF. Verifique que no haya rayones ni daños sobre la etiqueta del filtro. Reemplace el filtro si la etiqueta del filtro muestra daños. Ver Acerca del cartucho del filtro de agua XWFE en el Manual del Propietario visitando Haierappliances.com .

SOLUCIÓN DE PROBLEMAS

CONDICIONES DE FUNCIONAMIENTO NORMAL

El sonido de los refrigeradores nuevos es diferente al de aquellos más antiguos. Los refrigeradores modernos cuentan con más funciones y utilizan una tecnología más nueva.

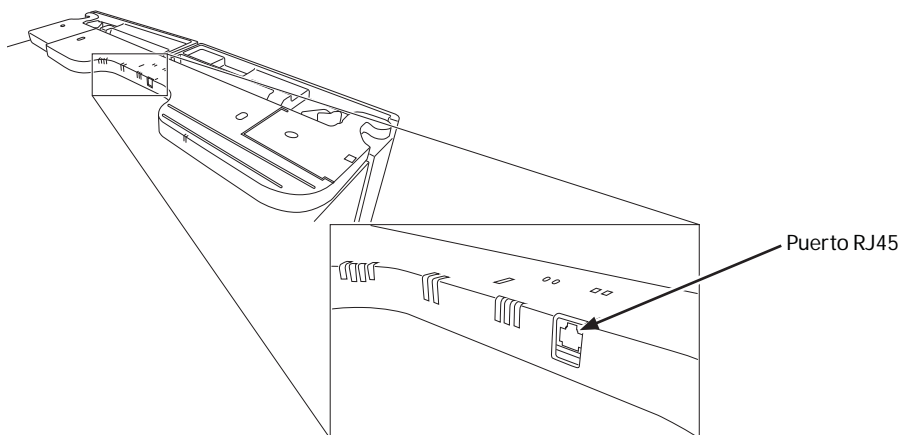
- Es posible que el nuevo compresor de alta efectividad funcione más rápido y por más tiempo que aquel de su refrigerador antiguo, y es posible que escuche un zumbido o sonido de pulsación mientras está funcionando.
- Es posible que escuche sonidos de gorgoteos al cerrar las puertas. Esto se debe al equilibrio de la presión dentro del refrigerador.
- Es posible que escuche los ventiladores girar en altas velocidades. Esto sucede cuando el refrigerador se enchufa por primera vez, cuando las puertas se abren con frecuencia o cuando una gran cantidad de comida es agregada a los compartimientos del refrigerador o del congelador. Los ventiladores están ayudando a mantener las temperaturas correctas.
- Los ventiladores cambian de velocidad a fin de brindar un enfriamiento óptimo y ahorros de energía.
- Es posible que escuche sonidos de crujidos o estallidos cuando se enchufe el refrigerador por primera vez. Esto sucede mientras el refrigerador se enfría hasta la temperatura correcta.
- La expansión y contracción de las bobinas de enfriamiento durante y después de la descongelación pueden producir sonidos de crujidos o estallidos.
- En los modelos con máquina de hielos, luego de un ciclo de producción de hielo, es posible que escuche los cubos de hielo caer a la hielera.
- En los modelos con dispensador, cuando se dispense el agua, es posible que escuche el movimiento de las tuberías de agua al iniciar el proceso y luego de que el botón del dispensador sea liberado.
- Es posible que el flujo de refrigerante a través de las bobinas de enfriamiento produzca un gorgoteo similar al agua hirviendo.
- El agua que cae sobre el calentador de descongelamiento puede producir un sonido de chisporroteo, estallido o zumbido durante el ciclo de descongelamiento.
- Es posible que se escuche un sonido de goteo durante el ciclo de descongelación, a medida que el hielo se derrite desde el evaporador y fluye hasta la cajon de drenaje.
- Cerrar la puerta podrá provocar un sonido de burbujeo debido a la igualación de la presión.

COMUNICACIÓN DEL ELECTRODOMÉSTICO (en algunos modelos)

GE WiFi Connect Opcional*

Su refrigerador es compatible con **GE WiFi Connect** usando el módulo **GE ConnectPlus**. Para conectar este electrodoméstico a Internet, es necesario que conecte el módulo a su electrodoméstico a través del puerto de comunicación del electrodoméstico. El **GE ConnectPlus** permitirá que su electrodoméstico tenga comunicación con su teléfono inteligente para un monitoreo remoto, control y notificaciones. Para aprender más sobre las funciones del electrodoméstico conectado, para saber qué aplicaciones del electrodoméstico conectado funcionarán con su teléfono inteligente y para saber dónde puede adquirir un **GE ConnectPlus**, visite GEAppliances.com/connect.**

Enchufe el módulo ConnectPlus en el puerto RJ45, ubicado del lado trasero de la tapa del control del refrigerador superior. No es necesario retirar la tapa.



Conectividad WiFi: Para solicitar asistencia en relación a su electrodoméstico o sobre la conectividad de red **ConnectPlus** (para modelos con WiFi permitido o Wifi opcional), comuníquese al **1-800-220-6899**.

INFORMACIÓN REGULATORIA

Declaración de Cumplimiento con FCC/IC:

Este dispositivo cumple con la Parte 15 de la Normativa de la FCC. Este dispositivo cuenta con un transmisor(es) /receptor(es) exentos de licencia que cumplen con la Innovación, Ciencia y Desarrollo Económico, exento de licencia en Canadá RSS(s). Su funcionamiento está sujeto a las dos condiciones siguientes:

1. Este dispositivo no podrá causar interferencias perjudiciales.
2. Este dispositivo debe aceptar cualquier interferencia recibida, incluidas las interferencias que puedan provocar un funcionamiento no deseado.

Este equipo fue probado y cumple con los límites establecidos para un dispositivo digital de clase B, según la parte 15 de la Normativa de la FCC. Este producto fue probado y cumple con los límites establecidos para un dispositivo digital de Clase B, según la parte 15 de la Normativa de la FCC. Este equipo genera, usa y puede emitir energía de radiofrecuencia y, si no se instala y utiliza de acuerdo con las instrucciones, puede ocasionar interferencias perjudiciales sobre las comunicaciones radiales. Sin embargo, no se garantiza que no se presenten interferencias en una instalación en particular. Si el equipo provoca interferencias perjudiciales para la recepción de radio o televisión, lo que puede comprobar encendiendo y apagando el equipo, se aconseja al usuario que intente corregir la interferencia a través de una de las siguientes medidas:

- Reoriente o reubique la antena receptora.
- Aumente la separación entre el equipo y el receptor.
- Conecte el equipo a un tomacorriente de un circuito diferente al tomacorriente al cual se encuentra conectado el receptor.
- Para solicitar ayuda, consulte al proveedor minorista o a un técnico experimentado de radio/ TV.

Etiqueta: Las modificaciones sobre esta unidad no aprobadas expresamente por parte del fabricante podrían anular la autoridad del usuario para utilizar el equipo.

Sólo el módulo ConnectPlus (o un módulo de comunicación similar)

Exposición a RF – Sólo se autoriza el uso de este dispositivo a través de una aplicación móvil. Se deberá mantener en todo momento una distancia de separación mínima de 20 cm. entre el dispositivo **ConnectPlus** y el cuerpo del usuario.

*Modelos Selectos Únicamente **Para EE.UU., Territorios de EE.UU., y Canadá Únicamente

GARANTÍA LIMITADA DEL CARTUCHO DEL FILTRO DE AGUA XWFE

Comuníquese con nosotros en HaierParts.com, o llame al 877.337.3639.

Por el Período de:	Reemplazaremos, Sin Costo:
Treinta Días Desde la fecha de compra original.	Cualquier parte del cartucho del filtro de agua que falle debido a un defecto en los materiales o la fabricación durante esta garantía limitada de treinta días.*

Qué No Está Cubierto:

- Viajes del técnico del servicio a su hogar para enseñarle sobre cómo usar el producto.
- Instalación inadecuada.
- Fallas del producto en caso de abuso, mal uso, o uso para propósitos diferentes a l original o uso comercial
- Reemplazo de fusibles de la casa o reinicio de disyuntores.
- Daños ocasionados sobre el producto por accidente, incendio, inundaciones o catástrofes naturales.
- Daños consecuentes o incidentales causados por posibles defectos de este producto

EXCLUSIÓN DE GARANTÍAS IMPLÍCITAS:

Su única y exclusiva alternativa es el cambio de la pieza, como se indica en esta Garantía Limitada. Las garantías implícitas, incluyendo garantías implícitas de comerciabilidad o conveniencia sobre un propósito particular, se limitan a seis meses o al periodo más corto permitido por la ley.

Esta garantía se extiende al comprador original y a cualquier dueño subsiguiente de productos adquiridos para uso hogareño dentro de EE.UU. En Alaska, la garantía excluye el costo de envío o llamadas al servicio técnico desde su hogar.

Algunos estados no permiten la exclusión o limitación de daños fortuitos o consecuentes. Esta garantía le da derechos legales específicos y es posible que tenga otros derechos legales que varían entre un estado y otro. Para conocer cuáles son sus derechos legales, consulte a la oficina de asuntos del consumidor local o estatal o al Fiscal de su estado.

Para Adquisiciones Realizadas en Iowa: Este formulario debe poseer la firma y fecha del comprador y del vendedor antes de la consumación de esta venta.

Este formulario debería ser retenido por el vendedor en un archivo durante un mínimo de dos años.

Comprador:

Nombre _____
Domicilio _____
Ciudad _____ Estado _____ Código Postal _____
Firma _____ Fecha _____

Vendedor:

Nombre _____
Domicilio _____
Ciudad _____ Estado _____ Código Postal _____
Firma _____ Date _____

* Si su pieza de Haier falla debido a un defecto en la fabricación dentro de los treinta días desde la fecha de compra original, le entregaremos una pieza nueva o, a su elección, una pieza reconstruida sin cargo. Devuelva la pieza defectuosa al proveedor de piezas a quien le realizó la compra, junto con una copia de la "prueba de compra" de la pieza. Si la pieza es defectuosa y no muestra signos de abuso, será cambiada. La garantía no cubre la falla de las piezas que están dañadas mientras están en su posesión, si son abusadas, o si fueron instaladas de forma incorrecta. No cubre el costo de regresar la pieza al proveedor a quien le realizó la compra ni cubre el costo del trabajo para retirar o instalar la misma a fin de diagnosticar la falla. No cubre las piezas usadas en productos de uso comercial, excepto en el caso de equipos acondicionadores de aire. En ningún caso Haier será responsable por daños consecuentes.

Garante: GE Appliances, a **Haier** company

Abroche su recibo aquí. Para acceder al servicio técnico de acuerdo con la garantía deberá contar con la prueba de la fecha original de compra.

FICHA TÉCNICA DE FUNCIONAMIENTO DEL MODELO: GE APPLIANCES XWFE

- Sistema certificado por IAPMO R&T contra los Estándares 42, 53, 401 y P473 de NSF/ANSI para la reducción de demandas especificadas en la ficha técnica de rendimiento y en iapmort.org.
- El rendimiento real podrá variar en relación a las condiciones locales del agua.

Sustancia Evaluada para la Reducción	Concentración del peligro de intrusión (mg/L)	Concentración de aguas máximas permitidas sobre el producto (mg/L)	% Promedio de Reducción
Gusto y Olor a Cloro	2.0 mg/L +/- 10%	N/A	96.9
Gusto y Olor a Cloramina	3.0 mg/L +/- 10%	0.5	96.9
Partícula, Clase I	Por lo menos 10,000 partículas/mL	N/A	91.4
Partícula, Clase I	50,000/L	N/A	>99.99
Plomo	0.15	0.01	98.85
Mercurio	0.006	0.002	96.3
Mercurio	107 to 108 fibras/L	N/A	>99
Toxafeno	0.015 +/- 10%	0.003	86.95
VOC (químico sustituto del cloroformo)	0.300	0.015	99.7
Ala cloro	0.050	0.001	> 98
Atrazina	0.100	0.003	> 97
Benceno	0.081	0.001	> 99
Carbofurano	0.190	0.001	> 99
Tetracloruro de carbono	0.078	0.0018	98
Clorobenceno	0.077	0.001	> 99
Cloropincrina	0.015	0.0002	99
2,4-D	0.110	0.0017	98
Dibromocloropropano (DBCP)	0.052	0.00002	> 99
o-Diclorobenceno	0.08	0.001	> 99
p-Diclorobenceno	0.040	0.001	> 98
1,2-dicloroetano	0.088	0.0048	95
1,2-dicloroetano	0.083	0.001	> 99
Cis-1,2-dicloroetileno	0.170	0.0005	> 99
Trans-1,2-dicloroetileno	0.086	0.001	> 99
1,2-dicloropropano	0.080	0.001	> 99
cis-1,3-dicloropropileno	0.079	0.001	> 99
Dinoseb	0.170	0.0002	99
Endrina	0.053	0.00059	99
Etilbenceno	0.088	0.001	> 99
Dibromuro de etileno (EDB)	0.044	0.00002	> 99
Bromocloroacetnitrilo	0.022	0.0005	98
Dibromoacetnitrilo	0.024	0.0006	98
dichloroacetnitrilo	0.0096	0.0002	98
Dicloroacetnitrilo	0.015	0.0003	98
1,2-dicloro-2-propanona	0.0072	0.0001	99
1,1,1-tricloro-2-propanona	0.0082	0.0003	96
Heptacloro (H-34, Heptox)	0.025	0.00001	>99
Epóxido de heptacloro	0.0107	0.0002	98
Hexaclorociclopentadieno	0.044	0.001	> 98
Hexaclorociclopentadieno	0.060	0.000002	> 99
Lindano	0.055	0.00001	> 99
Metoxicloro	0.050	0.0001	> 99
Pentaclorofenol	0.096	0.001	> 99
Simazina	0.120	0.004	> 97
Tetracloroetileno	0.150	0.0005	> 99
1,1,2,2-Tetracloroetileno	0.081	0.001	> 99
Tetracloroetileno	0.081	0.001	> 99
Tolueno	0.078	0.001	> 99
2,4,5-TP (silvex)	0.270	0.0016	99
Ácido tribromoacético	0.042	0.001	> 98
1,2,4-Triclorobenceno	0.160	0.0005	> 99
1,1,1-tricloroetano	0.084	0.0046	95
1,1,2-tricloroetano	0.150	0.0005	> 99
Tricloroetileno	0.180	0.0010	> 99
Bromoformo	0.300	0.015	95
Bromodichlorometano	0.300	0.015	95
clorodibromometano	0.300	0.015	95
Xileno	0.070	0.001	>99
Meprobamato	400 +/- 20%	60	95.5
Atenolol	200 +/- 20%	30	95.9
carbamazepina	1400 +/- 20%	200	98.6
DEET	1400 +/- 20%	200	98.6
Metolacloro	1400 +/- 20%	200	98.7
Trimetoprima	140 +/- 20%	20	96.1
Linuron	140 +/- 20%	20	96.6
TCEP	5000 +/- 20%	700	98.1
T CPP	5000 +/- 20%	700	98.1
Fenitoína	200 +/- 20%	30	96
Naproxeno	400 +/- 20%	60	95.9
Naproxeno	140 +/- 20%	20	96.5
Estrona	140 +/- 20%	20	97.1
Bisfenol A	2000 +/- 20%	300	99.1
Nonyl phenol	1400 +/- 20%	200	97.3

Pautas de Aplicación/ Parámetros de Suministro de Agua

Flujo de Servicio	0.5 gpm (1.89 lpm)
Suministro de Agua	Agua Potable
Presión del Agua	25-120 psi (172-827 kPa)
Temperatura del agua	33°F-100°F (0.6°C-38°C)
Capacidad	170 galones (643.5 litros)

Es esencial que se cumpla con los requisitos de instalación, mantenimiento y reemplazo de filtros recomendados por el fabricante, a fin de que el producto funcione de acuerdo a como fue promocionado. Para acceder a información sobre la Garantía, consulte el Manual de Instalación.

Nota: Observe que aunque la evaluación se realizó de acuerdo con condiciones estándares de laboratorio, el desempeño puede variar. Reemplazo del Cartucho: XWFE. Para conocer costos estimados de elementos de reemplazo, comuníquese al 877.337.3639 o visite nuestro sitio Web en HaierParts.com

⚠ ADVERTENCIA A fin de reducir el riesgo asociado con la ingestión de contaminantes:

• No se deben usar con agua que no sea microbiológicamente segura o de calidad desconocida sin una desinfección adecuada, antes o después, del sistema. Los sistemas certificados para la reducción de quistes se podrían usar en aguas desinfectadas que puedan contener quistes filtrables.

AVISO

A fin de reducir el riesgo de pérdidas de agua o inundación, y para asegurar un rendimiento óptimo del filtro:

- Lea y siga las Instrucciones de uso antes de la instalación y uso de este sistema.
- La instalación y uso DEBERÁN cumplir con todos los códigos estatales y locales de plomería.
- No se deberá instalar si la presión del agua supera los 120 psi (827 kPa). Si la presión del agua es superior a los 80 psi (552 kPa), deberá instalar una válvula limitadora de presión. Si no está seguro sobre cómo controlar la presión del agua, comuníquese con un plomero profesional.
- No instale cuando se puedan producir condiciones de golpe de ariete. Si existen condiciones de golpe de ariete, deberá instalar un suspensor de golpes de ariete.
- Si no está seguro sobre cómo controlar esta condición, comuníquese con un plomero profesional.
- No instale en líneas de suministro de agua caliente. La temperatura máxima de funcionamiento del agua para este sistema de filtro es de 100°F (37.8°C).
- Proteja el filtro de heladas. Drene el filtro cuando las temperaturas sean inferiores a 33°F (0.6°C).
- Cambie el cartucho del filtro descartable cada seis meses o antes, si observa una reducción notoria en el promedio del flujo de agua.
- Si no se reemplaza el cartucho del filtro descartable en intervalos recomendados, se podrá producir un rendimiento inferior del filtro y quebraduras en el espacio de colocación del filtro, ocasionando pérdidas de agua o inundación.
- Este sistema fue evaluado de acuerdo con NSF/ANSI 42, 53, 401 y P473 para la reducción de las sustancias que figuran a continuación. La concentración de las sustancias indicadas en agua que ingresa al sistema fue reducida a una concentración inferior o igual al límite permitido de agua que deja el sistema, de acuerdo con lo especificado en NSF/ANSI 42, 53, 401 y P473.



Sistema XWFE certificado por IAPMO R&T contra los Estándares 42, 53, 401 y P473 de NSF/ANSI para la reducción de demandas especificadas en la ficha técnica de rendimiento en iapmort.org.

GARANTÍA LIMITADA

12 Meses para Piezas y Trabajos

Durante 12 meses desde la fecha de compra minorista original, GE Appliances reemplazará cualquier pieza del refrigerador que falle debido a un defecto en los materiales o la fabricación. GE Appliances podrá, a su criterio, reemplazar o realizar la reparación de la unidad defectuosa. En caso de que GE Appliances decida realizar el servicio técnico sobre la unidad, GE Appliances brindará sin costo cualquier pieza que falle debido a un defecto en los materiales o la fabricación, junto con cualquier trabajo o costos relacionados con el servicio para reemplazar la pieza defectuosa. Durante este período, si GE Appliances decide reemplazar la unidad, podrá hacerlo brindándole a usted un certificado canjeable en un minorista, el cual podrá ser usado para un producto de reemplazo.

El producto deberá estar accesible, sin obstáculos y deberá ser instalado de forma apropiada para poder recibir el servicio de reparación correspondiente a la garantía.

NOTA: Esta garantía comienza en la fecha de compra de este producto, y el recibo original deberá presentarse al representante autorizado de servicio antes de hacerse las reparaciones bajo la garantía.

PARA OBTENER SERVICIO BAJO LA GARANTÍA

Para los clientes de EE.UU., todo el servicio de garantía deberá ser provisto por nuestros Centros de Servicio de Fabricación, o por un técnico autorizado del Servicio al Cliente. Para programar una visita del servicio técnico, llame al 1.877.337.3639.

Cuando llame para solicitar el servicio, tenga los números de serie y modelo disponibles.

En Canadá, llame al 1.877.470.9174.

EXCLUSIÓN DE GARANTÍAS IMPLÍCITAS - Su única y exclusiva alternativa es la reparación del producto, como se indica en la Garantía Limitada. Las garantías implícitas, incluyendo garantías implícitas de comerciabilidad o conveniencia sobre un propósito particular, se limitan a un año o al período más corto permitido por la ley.

Para Clientes de EE.UU.: Esta garantía se extiende al comprador original y a cualquier dueño subsiguiente de productos comprados para uso hogareño dentro de EE.UU. Si el producto está en un área donde no se encuentra disponible un Proveedor Autorizado del Servicio Técnico de GE Appliances, usted será responsable por el costo de un viaje o se podrá requerir que traiga el producto a una ubicación del Servicio Técnico de GE Appliances Autorizado para recibir el servicio. En Alaska, la garantía excluye el costo de envío o llamadas del servicio a su hogar.

Algunos estados no permiten la exclusión o limitación de daños fortuitos o consecuentes. Esta garantía le da derechos legales específicos y es posible que tenga otros derechos legales que varían entre un estado y otro. Para conocer cuáles son sus derechos legales, consulte a la oficina de asuntos del consumidor local o estatal o al Fiscal de su estado.

Garanter US:

GE Appliances, a Haier company
Louisville, KY 40225

Para Clientes en Canadá: Esta garantía se extiende al comprador original y a cualquier dueño subsiguiente de productos comprados para uso hogareño dentro de Canadá. El servicio técnico hogareño de la garantía será brindado en áreas donde Mabe se encuentre disponible y lo considere apropiado.

Garanter Canada:

MC Commercial, Inc., Burlington, Ontario, L7R 5B6

Lo que no está cubierto bajo esta garantía:

Viajes del técnico del servicio a su hogar para enseñarle sobre cómo usar el producto.

Instalación inadecuada, entrega o mantenimiento.

Fallas del producto en caso de abuso, mal uso, o uso para propósitos diferentes al original o uso comercial.

Pérdida de alimentos por mal estado.

Daño causado después de la entrega.

Reemplazo de fusibles de la casa o reinicio de disyuntores.

Reemplazo de las bombillas de luz.

Daños ocasionados sobre el producto por accidente, incendio, inundaciones o catástrofes naturales.

Daños consecuentes o incidentales causados por posibles defectos de este producto.

Producto no accesible para brindar el servicio requerido.

Costos asociados cuando GE Appliances decide entregar al consumidor un certificado como forma de reemplazo del producto.

NOTAS

NOTAS

NOTAS

IMPORTANT

Do Not Return This Product To The Store

If you have a problem with this product, please call 1-877-337-3639 for the name and telephone number of the nearest authorized service center.

DATED PROOF OF PURCHASE REQUIRED FOR WARRANTY SERVICE

IMPORTANT

Ne pas Réexpédier ce Produit au Magasin

En cas de problème avec ce produit, veuillez composer le 1-877-470-9174 pour connaître le nom et le numéro de téléphone du centre de service autorisé le plus proche.

**PREUVE D'ACHAT DATÉE, NUMÉRO DE MODÈLE ET LE NUMÉRO DE SÉRIE REQUIS
POUR LE SERVICE DE GARANTIE**

IMPORTANTE

No regrese este producto a la tienda

Si tiene un problema con este producto, por favor comuníquese al 1-877-337-3639 para solicitar el nombre y número telefónico del centro de servicio al cliente autorizado más cercano.

**NECESITA UNA PRUEBA DE COMPRA FECHADA, NÚMERO DE MODELO
Y DE SERIE PARA EL SERVICIO DE LA GARANTÍA**