

Haier

Installation and User Manual
Instructions d'installation et
Guide de l'utilisateur
Instrucciones de instalación y
Manual del usuario

HCH2400ACB
HCH3400ACB

24" and 30" Slanted Range Hood

Hotte de cuisine inclinée de 24" et 30"

Campana de cocina de 24" y 30" con inclinación



Part # 0570000769 REV A

TABLE OF CONTENTS

RANGE HOOD SAFETY INSTRUCTIONS	2
INSTALLATION REQUIREMENTS	5
Tools and Parts.....	5
Location Requirements	6
Venting Requirements	7
Electrical Requirements	8
INSTALLATION INSTRUCTIONS	9
Step 1 - Unpack Range Hood	9
Step 2 - Plan Installation.....	10
Step 3 - Install Ductwork	11
Step 4 - Install Cross Braces.....	13
Step 5 - Install Electrical Connection.....	13
Step 6 - Install Range Hood	14
Step 7 - Install Vent Covers.....	15
Step 8 - Complete Installation	17
RANGE HOOD USE.....	17
Range Hood Controls	18
RANGE HOOD CARE	19
Cleaning	19
TROUBLESHOOTING	23
LIMITED WARRANTY	24

RECORD KEEPING

Thank you for purchasing this Haier product. This user manual will help you get the best performance from your new hood.

For future reference, record the model and serial number located inside of the hood, and the date of purchase.

Staple your proof of purchase to this manual to aid in obtaining warranty service if needed.

Model number

Serial number

Date of purchase

RANGE HOOD SAFETY INSTRUCTIONS

Your safety and the safety of others are very important.

We have provided many important safety messages in this manual and on your appliance. Always read and obey all safety messages.



This is the safety alert symbol.

This symbol alerts you to potential hazards that can kill or hurt you and others. All safety messages will follow the safety alert symbol and either the word "DANGER," "WARNING" or "CAUTION."

These words mean:



An imminently hazardous situation. You could be killed or seriously injured if you don't immediately follow instructions.



A potentially hazardous situation which, if not avoided, could result in death or serious bodily injury.



A potentially hazardous situation which, if not avoided, may result in moderate or minor injury.

All safety messages will tell you what the potential hazard is, tell you how to reduce the chance of injury, and tell you what can happen if the instructions are not followed.

IMPORTANT SAFETY INSTRUCTIONS

WARNING: To reduce the risk of fire, electrical shock, injury to persons, or damage when using the range hood, follow basic precautions, including the following:

- This appliance is intended for normal family household use only.
- Before servicing or cleaning the unit, switch power off at service panel and lock the service disconnecting means to prevent power from being switched on accidentally. When the service disconnecting means cannot be locked, securely fasten a prominent warning device, such as a tag, to the service panel.
- Installation work and electrical wiring must be done by qualified person(s) in accordance with all applicable codes and standards, including fire-rated construction.
- Do not operate any fan with a damaged cord or plug. Discard fan or return to an authorized service facility for examination and/or repair.
- Sufficient air is needed for proper combustion and exhausting of gases through the flue (chimney) of fuel burning equipment to prevent backdrafting. Follow the heating equipment manufacturer's guideline and safety standards such as those published by the National Fire Protection Association (NFPA), the American Society for Heating, Refrigeration and Air Conditioning Engineers (ASHRAE), and the local code authorities.
- When cutting or drilling into wall or ceiling; do not damage electrical wiring and other utilities.
- Ducted fans must always be vented outdoors.
- For general ventilating use only. Do not use to exhaust hazardous or explosive materials and vapors.
- To reduce risk of fire and to properly exhaust air, be sure to duct air outside - do not vent exhaust air into spaces within walls or ceilings, attics or into crawl spaces, or garages.
- To reduce the risk of fire, use only metal ductwork.
- To reduce the risk of fire or electrical shock, do not use this fan with any solid-state speed control device.

IMPORTANT SAFETY INSTRUCTIONS

- Wipe up spill over immediately.
- Do not allow aluminum foil, plastic, paper or cloth to come in contact with a hot surface.
- Do not allow pans to boil dry.
- Always have a working smoke detector near the kitchen.
- Moist or damp pot holders on hot surfaces may result in burns from steam. Do not let pot holder touch hot heating elements. Do not use a towel or other bulky cloth.

WARNING: TO REDUCE THE RISK OF A RANGE TOP GREASE FIRE:

- Never leave surface units unattended at high settings. Boilovers cause smoking and greasy spillovers that may ignite. Heat oils slowly on low or medium settings.
- Always turn hood ON when cooking at high heat or when flambeing food (i.e. Crepes Suzette, Cherries Jubilee, Peppercorn Beef Flambé).
- Clean ventilating fans frequently. Grease should not be allowed to accumulate on fan or filter.
- Use proper pan size. Always use cookware appropriate for the size of the surface element.

WARNING: TO REDUCE THE RISK OF INJURY TO PERSONS IN THE EVENT OF A RANGE TOP GREASE FIRE, OBSERVE THE FOLLOWING.^a

- **SMOTHER FLAMES** with a close fitting lid, cookie sheet, or metal tray, then turn off the burner. **BE CAREFUL TO PREVENT BURNS.** If the flames do not go out immediately, **EVACUATE AND CALL THE FIRE DEPARTMENT.**
- **NEVER PICK UP A FLAMING PAN** - you may be burned.
- **DO NOT USE WATER,** including wet dishcloths or towels - a violent steam explosion will result.
- Use an extinguisher **ONLY** if:
 - You know you have a class ABC extinguisher, and you already know how to operate it.
 - The fire is small and contained in the area where it started.
 - The fire department is being called.
 - You can fight the fire with your back to an exit.

^aBased on "Kitchen Fire Safety Tips" published by NFPA.

READ AND SAVE THESE INSTRUCTIONS

INSTALLATION REQUIREMENTS

TOOLS AND PARTS

Gather the required tools and parts before starting installation. Read and follow the instructions provided with any tools listed here.

TOOLS NEEDED

- Level
- Drill with 1¼", ⅛", and ⅝" Drill Bits
- Pencil
- Wire Stripper or Utility Knife
- Tape Measure or Ruler
- Pliers
- Caulking Gun
- Caulking Compound (weatherproof)
- Vent Clamps
- Jigsaw or Keyhole Saw
- Flat-blade Screwdriver
- Metal Snips
- Phillips Screwdriver
- Metric Hex Key Set

PARTS NEEDED

- 6" (15.2 cm) dia. round metal vent duct - length required is determined by ceiling height.

For non-vented (recirculating) installations, you will also need:

- Air Deflector - Order Part #31206014
- Charcoal Filters (pkg. of 2) - Order Part #31264001

To purchase these parts for your range hood, contact the Haier Customer Satisfaction Center at 1-877-337-3639.

PARTS SUPPLIED

Remove parts from packages. Check that all parts are included.

- 120 V Power Cord (with 3 prong plug)
- Hood Canopy Assembly (blower, vent transition, light bulbs [pre-installed])
- Metal Grease Filter
- Vent Cover Support Bracket
- Two-Piece (Upper and Lower) Vent Cover
- Mounting Screws
- Washers
- Drywall Anchors

LOCATION REQUIREMENTS

IMPORTANT: Observe all governing codes and ordinances.

Have a qualified technician install the range hood. It is the installer's responsibility to comply with installation clearances specified on the model/serial rating plate. The model/serial rating plate is located behind the left filter on the rear wall of the vent hood.

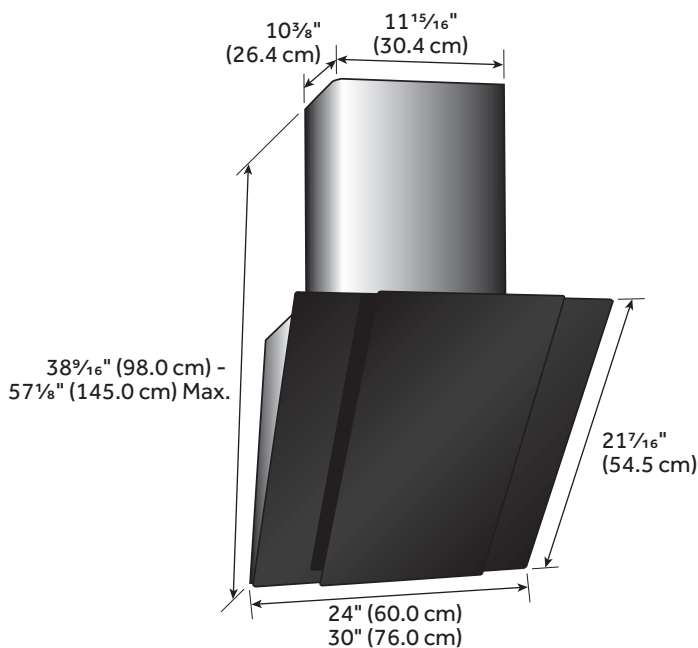
Vent hood location should be away from strong draft areas, such as windows, doors and strong heating vents.

Grounded electrical outlet is required. See "Electrical Requirements" section.

FOR MOBILE HOME INSTALLATIONS

The installation of this range hood must conform to the Manufactured Home Construction Safety Standards, Title 24 CFR, Part 328 (formerly the Federal Standard for Mobile Home Construction and Safety, Title 24, HUD, Part 280) or when such standard is not applicable, the standard for Manufactured Home Installation 1982 (Manufactured Home Sites, Communities and Setups) ANSI A225.1/NFPA 501A, or latest edition, or with local codes.

PRODUCT DIMENSIONS



INSTALLATION CLEARANCE

It is important to install the range hood at the correct height from the cooktop. Hoods mounted too low could result in heat damage; while hoods mounted too high may decrease performance and efficiency.

Height from Cooktop Surface to Bottom of Hood:

	Minimum:	Maximum:
Electric	24" (61 cm)	30" (76 cm)
Gas	30" (76 cm)	

VENTING REQUIREMENTS

Makeup Air

Local building codes may require the use of makeup air systems when using ventilation systems greater than specified CFM of air movement. The specified CFM varies from locale to locale.

Consult your HVAC professional for specific requirements in your area.

General Venting

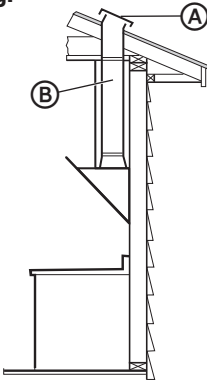
The range hood is designed to vent through the roof or side wall. To vent through a wall, a 90° elbow is needed.

- Vent system must terminate to the outdoors except for non-vented (recirculating) installation.
- Do not terminate the vent system in an attic or other enclosed area.
- If it is not possible to vent cooking fumes outside, the hood can be used for a non-vented (recirculating) installation by attaching a deflector and a charcoal filter. A Recirculating Kit is available for purchase.
- Use metal/aluminum rigid vent only. Fasten all connections with sheet metal screws and tape all joints with certified duct tape. Use caulking to seal exterior wall or roof opening around the cap. Rigid metal vent is recommended.

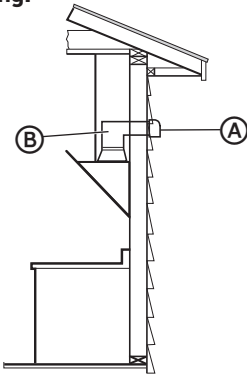
NOTE: Plastic or metal foil vent is not recommended.

- The length of vent system and number of elbows should be kept to a minimum to provide efficient performance.
- Always keep the duct clean to ensure proper airflow.

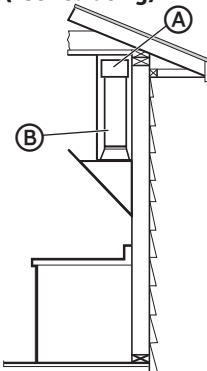
NOTE: A 90° elbow must be installed immediately above the hood.

Roof Venting:

- (A) Roof Cap
- (B) 6" (15.2 cm) Round Vent

Wall Venting:

- (A) Wall Cap
- (B) 6" (15.2 cm) Round Vent

Non-Vented (recirculating):

- (A) Deflector
- (B) 6" (15.2 cm) Round Vent

ELECTRICAL REQUIREMENTS

Observe all governing codes and ordinances.

Ensure that the electrical installation is adequate and in conformance with National Electrical Code, ANSI/NFPA 70 (latest edition), or CSA Standards C22.1-94, Canadian Electrical Code, Part 1 and C22.2 No. 0-M91 (latest edition) and all local codes and ordinances.

If codes permit and a separate ground wire is used, it is recommended that a qualified electrician determine that the ground path is adequate.

A copy of the above code standards can be obtained from:

National Fire Protection Association
1 Batterymarch Park
Quincy, MA 02169-7471

CSA International
8501 East Pleasant Valley Road
Cleveland, OH 44131-5575

It is important to make sure you have the proper electrical connection.

RECOMMENDED GROUNDING METHOD

A 120 volt, 60 Hz, AC only, 15-amp fused, grounded electrical supply is required. Use an outlet that cannot be turned off by a switch. Do not use an extension cord.

NOTE: Before cleaning, or removing a light bulb, turn vent hood off, and then disconnect the vent hood from the electrical source. When you are finished, reconnect the vent hood to the electrical source.

INSTALLATION INSTRUCTIONS

WARNING



Electrical Shock Hazard

Disconnect power before installing unit.

Failure to do so can result in death, fire, or electric shock.

STEP 1 - UNPACK RANGE HOOD

1. Select a flat surface for assembling the range hood and cover the surface.

WARNING

Excessive Weight Hazard

Use two or more people to move and install range hood.

Failure to do so can result in back or other injury.

2. Using two or more people, lift the range hood assembly onto the covered surface.

STEP 2 - PLAN INSTALLATION

The range hood will fit on walls between 7½' and 8½' depending on the mounting height of the range hood.

Your range hood has been designed for use in both ducted and non-vented (recirculating) installations. Follow the instructions specific to your installation needs.

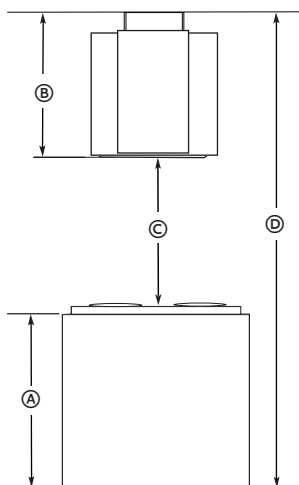
IMPORTANT: A non-vented (recirculating) installation requires an air deflector and two charcoal filters. To purchase these parts for your range hood model, please contact Haier Customer Service.

1. First, consider the following when calculating the mounting height.

- The minimum mounting height - In general, the bottom of the vent hood must be at least 24" (61 cm) from the range surface and 30" (76 cm) if mounted above a gas range. Refer to the Installation manual for your range for the required minimum mounting height.
- Your eye level - Mounting the range hood at a height where the controls are at eye level is usually most convenient.
- Design - Factors such as symmetry, alignment within your cabinetry, and the fit of the vent cover.

2. Measure:

- The distance from the floor to the ceiling.
- The distance from the floor to the countertop.
- The required distance from the top of your range surface to the bottom of the range hood.



- (A) Countertop Height
- (B) Hood Height From Ceiling to Bottom of the Range Hood Filter surface: $D - A - C = B$
- (C) 24" (61 cm) Min. from Electric Cooking Surface, 30" (76 cm) min. from Gas Cooking Surface, Suggested 36" (91.4 cm) Max.
- (D) Ceiling Height

3. Determine the center point of the opening. Mark a plumb line through this point from the ceiling to the surface of the range/cooktop.
4. Mark the mounting height © on the plumb line.

NOTE: It is recommended that you install a cross brace within the wall at the mounting height.
5. Decide where the ductwork will run between the hood and the outside. Short straight duct runs will provide the most airflow.
6. Decide where to install the 110/120V receptacle within the dimensions of the vent cover.
7. Calculate the required height of the vent cover.

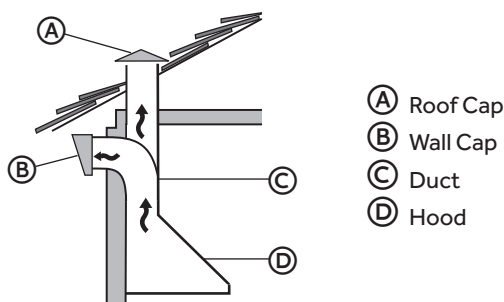
NOTE: For a shorter installation you may need to have the vent structure and vent cover sections cut. For a longer installation you may need to make an extension piece.

STEP 3 - INSTALL DUCTWORK

Your wall mounted range hood is designed to be either ducted from behind the vent cover through an outside wall, or used in a non-vented (recirculating) installation.

DUCTED INSTALLATION

IMPORTANT: Exhaust air must not be discharged into a flue that is used for the exhaust fumes from other appliances. Exhaust air cannot be discharged into an attic space or a garage.



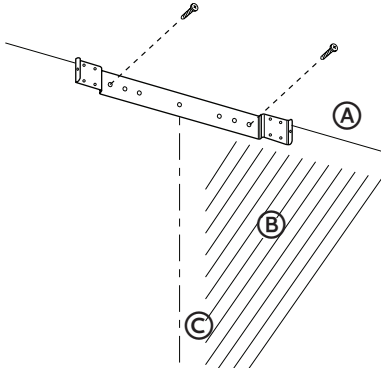
8. Plan where the ductwork will run between the range hood and the outside.

NOTE: A short straight duct run will produce the most airflow. Longer lengths and elbow ducts will reduce the efficiency of the blower.
9. Install a wall cap outside your home.
10. Connect a 6" round metal duct to the cap and work backwards towards the hood.
11. Ensure connections are completely sealed with duct tape.

NON-VENTED (RECIRCULATING) INSTALLATION

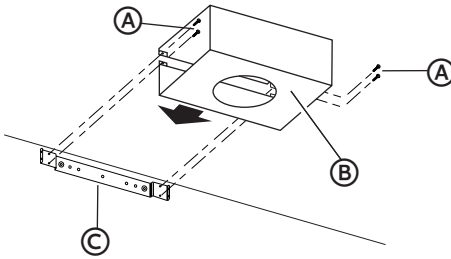
1. Center the mounting bracket on the plumb line, at the edge of the ceiling.
2. Using screws appropriate to the wall material, attach the bracket to the wall.

NOTE: If your ceiling is not even, mount the wall bracket at the lowest level point.



- (A) Ceiling
- (B) Wall
- (C) Plumb Line

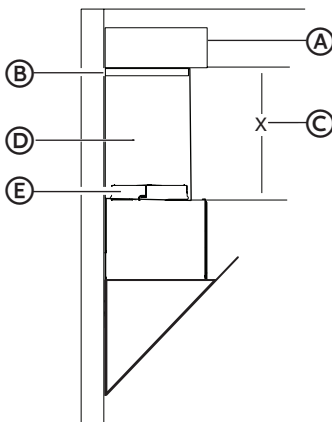
3. Using four mounting screws, attach the air deflector to the mounting bracket.



- (A) Mounting Screws
- (B) Air Deflector (not provided)
- (C) Mounting Bracket

4. Measure the length of 6" (15.2 cm) metal duct needed to connect the transition to the deflector.

NOTE: A minimum 1" (2.5 cm) length of metal duct should be fitted inside the deflector.



- (A) Air Deflector (not provided)
- (B) Vent Clamp
- (C) X = Length to Cut Vent Duct
- (D) Vent Duct
- (E) Exhaust Outlet

5. Install vent between the transition and the deflector.

NOTE: To make vent installation easier, temporarily remove the deflector from the mounting bracket and replace after vent section is in place.

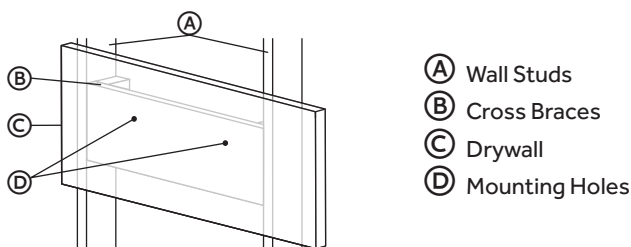
6. Seal all connections with vent clamps.

NOTE: After installing the range hood, complete the non-vented (recirculating) installation by installing charcoal filters (not provided). See the "Charcoal Filters" section for instructions.

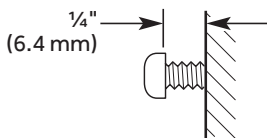
STEP 4 - INSTALL CROSS BRACES

It is recommended that you install cross braces behind the drywall, between two wall studs, at the level of the range hood mounting screws.

1. Measure the distance from the bottom of the range hood to the top of the mounting holes. Mark this distance by drawing a horizontal line (Mounting Height) across the plumb line.
2. Measure the distance between the two mounting holes, on the back of the range hood. Center this measurement on the height line so that half the measurement is on each side of the plumb line, and then mark the two locations for the range hood mounting holes.
3. Behind the drywall and any backsplash material, install cross braces between the wall studs at the level of the mounting screw holes.



4. Insert the mounting screws through the marked mounting holes, leaving about $\frac{1}{4}$ " (6.4 mm) of the thread exposed. Ensure you use the appropriate type of screws for your wall/cross braces.



NOTE: Some wall/screw types will require pre-drilling a pilot hole before inserting the screw.

STEP 5 - INSTALL ELECTRICAL CONNECTION

1. Install a grounded 3 prong 110/120V receptacle on the wall within the dimensions of the vent cover.

NOTE: All electrical wiring must be done by a qualified electrician and in accordance with all applicable codes and standards. This range hood must be properly grounded. Removing the plug from the power cord will void the warranty of the range hood.

STEP 6 - INSTALL RANGE HOOD

IMPORTANT:

- If the range hood is being installed above an installed range, ensure the range is turned off and has cooled completely before beginning installation.
- Do not remove the plastic film from the range hood until installation is complete.

! WARNING

Excessive Weight Hazard

Use two or more people to move and install range hood.

Failure to do so can result in back or other injury.

! WARNING



Electrical Shock Hazard

Plug into a grounded 3 prong outlet.

Do not remove the ground prong from the power cord plug.

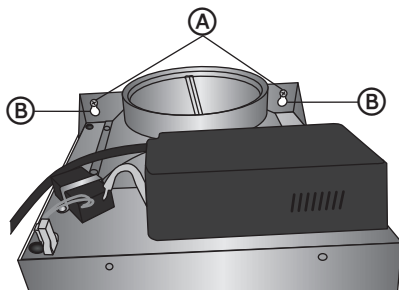
Do not use an adapter.

Do not use an extension cord.

Failure to do so can result in death, fire or electrical shock.

1. Before mounting the range hood, plug the range hood into a grounded 3 prong outlet to test all functions for proper operation.
 - Blower works at all speeds.
 - Lights turn on and off.
 - The damper flaps open when the blower is on.
2. Remove grease filters from the range hood to keep them from being damaged during installation.
3. Using two or more people, hold the hood temporarily in position ensuring the bottom of the hood is above the minimum clearance for the cooking surface.

4. Mount the range hood onto the mounting screws. When the hood has been leveled, secure unit by tightening screws.



- (A) Mounting Screws
- (B) Mounting Slots

NOTE: The vent cover needs to be placed on some styles of range hoods before you tighten the screws completely to secure the lips of the vent cover.

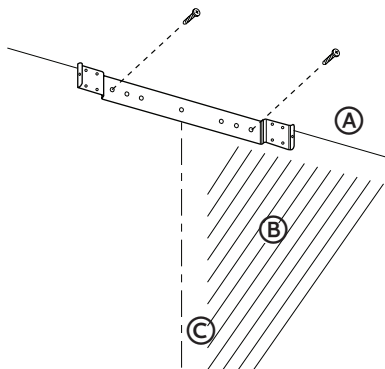
5. Attach 6" metal vent duct to the hood duct connector. Ensure that the damper flaps are free to open. Seal all seams.

STEP 7 - INSTALL VENT COVERS

IMPORTANT: For Non-Vented (recirculating) installations, skip steps 1 and 2.

1. Center the mounting bracket on the plumb line, at the edge of the ceiling.
2. Using screws appropriate to the wall material, attach the bracket to the wall.

NOTE: If your ceiling is not even, mount the wall bracket at the lowest level point.



- (A) Ceiling
- (B) Wall
- (C) Plumb Line

3. Carefully loosen but do not separate the upper and lower sections of the vent cover. The inside piece is the upper section and attaches to the wall at the ceiling. The outside piece is the bottom section that rests on the range hood.

NOTE: Remove the white film from the vent covers, as needed, prior to assembly and installation. Handle the vent covers gently to avoid scratching the finish.

! WARNING



Electrical Shock Hazard

Plug into a grounded 3 prong outlet.

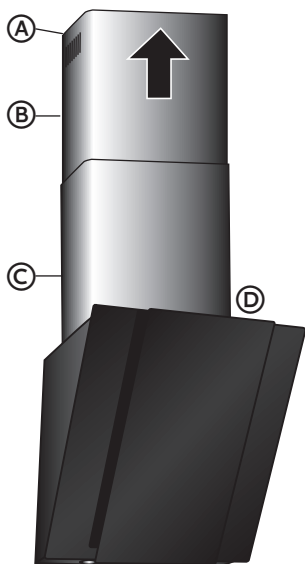
Do not remove the ground prong from the power cord plug.

Do not use an adapter.

Do not use an extension cord.

Failure to do so can result in death, fire or electrical shock.

4. Plug into a grounded 3 prong outlet.
5. Place the two nested vent cover sections on top of the range hood. Slide (telescope) the inside/upper section toward the ceiling and fasten it to the wall bracket using the screws (provided).
6. Using two screws (provided) fasten the lower vent cover to the two brackets on top of the range hood (one on each side).



- (A) Screw
- (B) Upper Vent Cover
- (C) Lower Vent Cover
- (D) Lower Vent Cover Brackets (2) - not shown

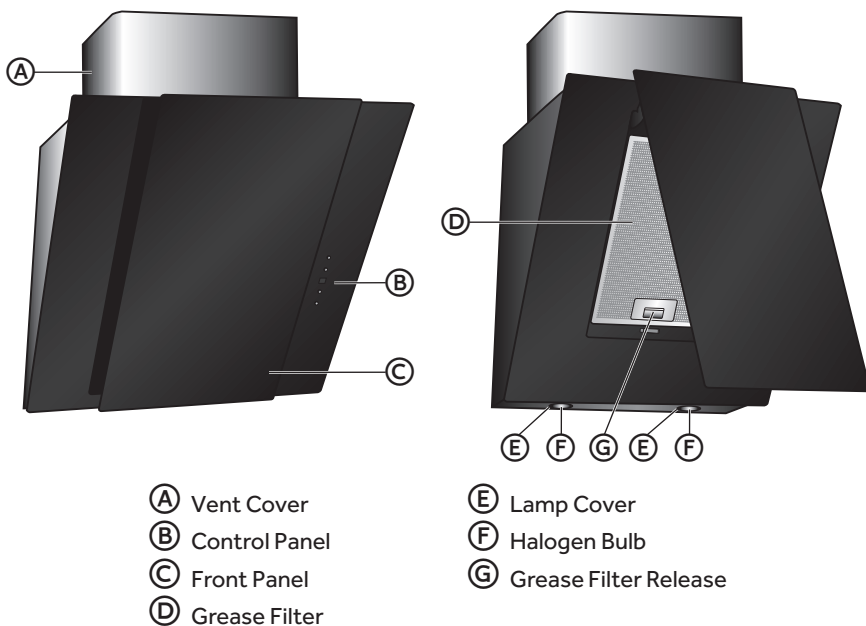
7. Remove any remaining film from the vent covers.

STEP 8 - COMPLETE INSTALLATION

1. Remove the plastic film from the range hood.
2. For non-vented (recirculating) installations only, install a charcoal filter on each side of the blower. See the "Range Hood Care" section.

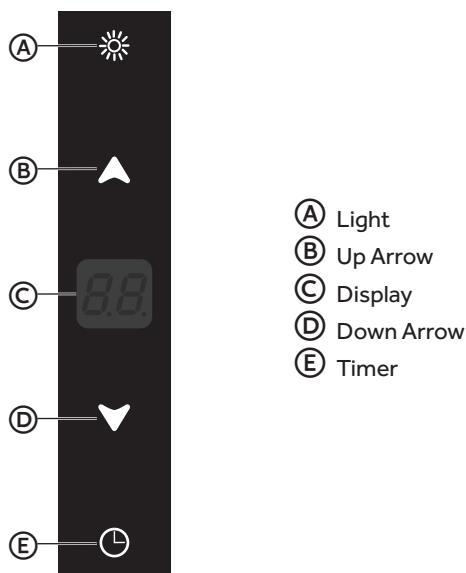
RANGE HOOD USE

The range hood is designed to remove smoke, cooking vapors and odors from the cooktop area. For best results, start the hood before cooking and allow it to operate 15 minutes after the cooking is complete to clear all smoke and odors from the kitchen.



RANGE HOOD CONTROLS

The controls are located on the front of the range hood.



LIGHT

- Press the Light touch pad to turn On/Off the light.

FAN

The Up and Down Arrow touch pads turn On/Off the fan, and control the speed of the fan. The fan speed can be changed anytime during operation by pressing an Up or Down Arrow.

- Press the Down Arrow to turn on the fan at Low speed, to adjust the speed or turn Off the fan.
- Press the Up Arrow to turn on the fan at High speed, to adjust the speed or turn Off the fan.

TIMER

The Timer control allows you to set a time for the fan to turn off.

- Press the Timer touch pad once. The fan will turn Off automatically after operating for a preset time of 15 minutes.
- Press Timer twice to set the Turn-off time.

NOTE: When the clock begins to flash, press the Up or Down Arrow pads to adjust the Turn-off time.

CLEANING

⚠ WARNING



Electrical Shock Hazard

Disconnect power before cleaning.

Failure to do so can result in death or electrical shock.

IMPORTANT: Clean the hood and grease filters frequently according to the following instructions. Replace grease filters before operating hood.

EXTERIOR SURFACES:

To avoid damage to the exterior surface, do not use steel wool or soap-filled scouring pads.

Always wipe dry to avoid water marks.

Cleaning Method:

- Liquid detergent and water, or all-purpose cleanser
- Wipe with damp soft cloth or nonabrasive sponge, then rinse with clean water and wipe dry.

METAL GREASE FILTER

1. Disconnect power.
2. Lift up on the front panel of the range hood to access the metal grease filters.



- (A) Filter Release
- (B) Front Panel

3. Wash the metal filter, as needed, either in the dishwasher or with a solution of hot water and dish detergent.
4. Allow time for the filter to dry completely.
5. Replace the grease filter.
6. Reconnect power.

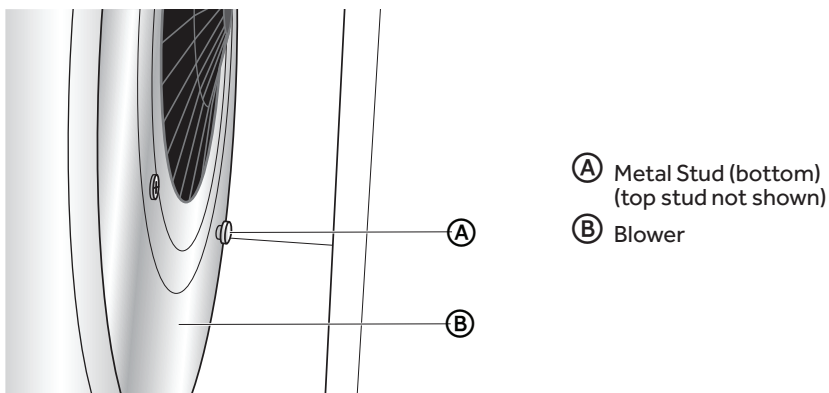
CHARCOAL FILTERS (NON-VENTED [RECIRCULATION] INSTALLATIONS ONLY)

The charcoal filter should last for up to 6 months with normal use. The charcoal filter is not washable; it must be replaced with a new filter.

To Remove and Replace Charcoal Filters:

1. Disconnect power.
2. Follow the previous steps to remove the metal grease filter from the hood.
3. Locate the charcoal filters one on each side of the blower, and turn each one slightly to disengage it from the metal studs.
4. Remove the two used charcoal filters and discard.
5. Locate the two studs extending from the top and bottom of the intakes on both the right and left sides of the blower.

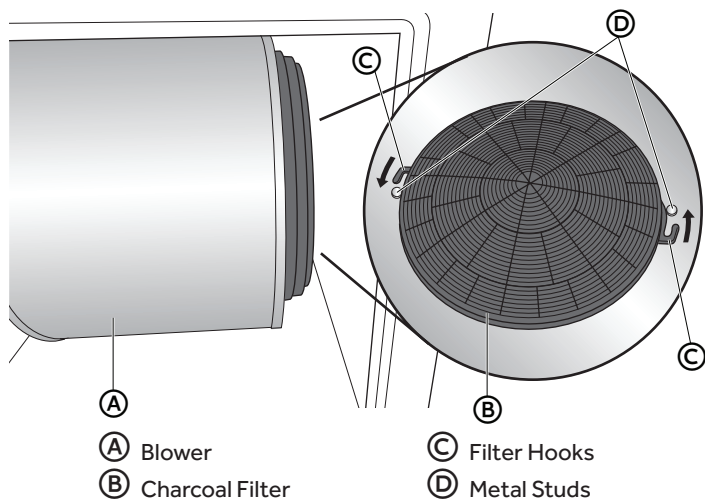
Blower Intake - Right-hand Side



- (A) Metal Stud (bottom)
(top stud not shown)
- (B) Blower

6. Insert a charcoal filter onto the intake of the blower on the left-hand and right-hand sides, and then rotate each filter slightly until the hooks on the filter wrap around the studs.

Blower Intake - Right-hand Side



- (A) Blower
- (B) Charcoal Filter
- (C) Filter Hooks
- (D) Metal Studs

7. Replace metal grease filter.
8. Reconnect power.

REPLACING A LAMP

⚠ WARNING**Electrical Shock Hazard**

Make sure the range hood lights are cool and power to the range hood has been turned off before replacing the light bulb(s).

The lenses must be in place when using the range hood. The lenses serve to protect the light bulb from breaking.

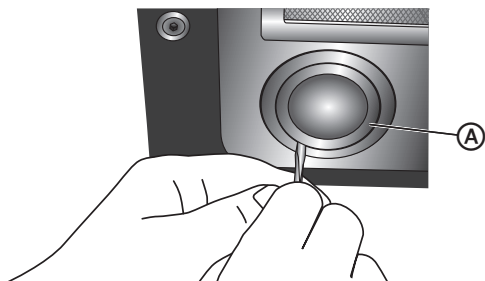
The lenses are made of glass. Handle carefully to avoid breakage.

Failure to do so could result in death, electric shock, cuts or burns.

Turn off the range hood light to allow the bulb to cool. To avoid damage or decreasing the life of the new bulb, do not touch bulb with bare fingers. Wear cotton gloves or use a tissue when replacing the light bulb.

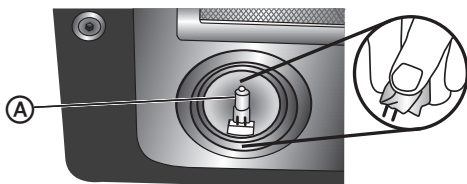
If a new bulb does not illuminate, first check that it is inserted correctly in the socket before calling service.

1. Disconnect power.
2. Insert a flat-blade screwdriver, and gently pry off the light shield.



Ⓐ Light Shield

3. Gently pull the burned out bulb from the socket.
4. Avoiding contact with skin, insert a new halogen bulb of the same size, shape and wattage into the socket.



Ⓐ Bulb

5. Align the three tabs of the light shield with the holes in the opening and push up to snap it in place.
6. Reconnect power.

TROUBLESHOOTING

First try the solutions suggested here to possibly avoid the cost of a service call.

Problem	Possible Reason	Solution
Hood doesn't work.	Electric Supply	Plug power cord into a power source.
		Reset/Turn on breaker or replace fuse.
Poor Airflow	Aluminum grease filters are clogged.	Clean and dry the filters, and then reassemble.
	Charcoal filters are clogged.	Replace the charcoal filters.
Motor running, but no airflow.	Butterfly valve jammed.	Call for service.
After running for a while, the motor stops.	The high temperature safety device is activated.	The kitchen is not sufficiently ventilated.
	The hood is installed too close to the stove.	The range hood must be installed a minimum of 24" (61 cm) above an electric cooktop, and 30" (76 cm) above a gas cooktop.
Strong cooking smell	Charcoal filters are not installed.	In re-circulating mode, charcoal filters must be installed.
Oil dripping onto stove	Oil cup missing or not installed.	Replace aluminum filter and replace oil cup.
	Aluminum grease filter saturated.	Wash the aluminum grease filters.
Whirring sound	Fan blade problem	Call for service.

FOR MORE HELP, VISIT HAIERAMERICA.COM OR CALL THE CONSUMER HELP LINE AT 1-877-337-3639.

LIMITED WARRANTY

IN-HOME SERVICE

FULL TWO YEAR WARRANTY

For 24 months from the date of original retail purchase, Haier will repair or replace any part free of charge including labor that fails due to a defect in materials or workmanship.

Haier may replace or repair at their sole discretion any part, sub system including the entire product.

Product must be accessible, without encumbrance and installed properly to receive warranty repair service.

LIMITED WARRANTY

NOTE: This warranty commences on the date the item was purchased, and the original purchase receipt must be presented to the authorized service representative before warranty repairs are rendered.

Exceptions: Commercial Use Warranty

90 days labor from date of original purchase

90 days parts from date of original purchase

No other warranty applies.

FOR WARRANTY SERVICE

All service must be performed by a Haier authorized service center. For the name and telephone number of the nearest authorized service center, please call 1-877-337-3639.

Before calling please have available the following information:

Model number and serial number of your appliance. The name and address of the dealer you purchased the unit from and the date of purchase.

A clear description of the problem.

A proof of purchase (sales receipt).

This warranty covers home appliance services within the contiguous United States and Canada and where available in Alaska, Hawaii and Puerto Rico.

What is not covered by this warranty:

Replacement or repair of household fuses, circuit breakers, wiring or plumbing.

A product whose original serial number has been removed or altered.

Any service charges not specifically identified as normal such as normal service area or hours.

Replacement of light bulbs.

Damage to clothing.

Damage incurred in shipping.

Damage caused by improper installation or maintenance.

Damage from misuse, abuse accident, fire, flood, or acts of nature.

Damage from service other than an authorized Haier dealer or service center.

Damage from incorrect electrical current, voltage or supply.

Damage resulting from any product modification, alteration or adjustment not authorized by Haier.

Adjustment of consumer operated controls as identified in the owner's manual.

Hoses, knobs, lint trays and all attachments, accessories and disposable parts.

Labor, service transportation, and shipping charges for the removal and replacement of defective parts beyond the initial 24-month period.

Damage from other than normal household use.

Any transportation and shipping charges.

THIS LIMITED WARRANTY IS GIVEN IN LIEU OF ALL OTHER WARRANTIES, EXPRESSED OR IMPLIED, INCLUDING BUT NOT LIMITED TO, THE WARRANTIES OF MERCHANTABILITY AND FITNESS FOR A PARTICULAR PURPOSE

The remedy provided in this warranty is exclusive and is granted in lieu of all other remedies.

This warranty does not cover incidental or consequential damages, so the above limitations may not apply to you. Some states do not allow limitations on how long an implied warranty lasts, so the above limitations may not apply to you.

This warranty gives you specific legal rights, and you may have other rights, which vary from state to state.

Haier America
Wayne, NJ 07470

TABLE DES MATIÈRES

SÉCURITÉ DE LA HOTTE	26
EXIGENCES D'INSTALLATION	30
Outils et pièces	30
Exigences d'emplacement.....	31
Exigences concernant l'évacuation.....	32
Spécifications électriques.....	34
INSTRUCTIONS D'INSTALLATION	35
Étape 1 – Déballage de la hotte	35
Étape 2 – Planification de l'installation	35
Étape 3 – Installation des conduits	37
Étape 4 – Installation des entretoises croisées.....	39
Étape 5 – Installation du raccordement électrique	39
Étape 6 – Installation de la hotte	40
Étape 7 – Installation des cache-conduits.....	41
Étape 8 – Fin de l'installation	43
UTILISATION DE LA HOTTE	43
Commandes de la hotte de cuisinière	44
ENTRETIEN DE LA HOTTE	45
Nettoyage	45
DÉPANNAGE	49
GARANTIE LIMITÉE	50

DOCUMENTS À CONSERVER

Merci d'avoir acheté ce produit Haier. Ce manuel d'utilisation vous aidera à obtenir la meilleure performance possible de votre nouvelle hotte.

Pour référence ultérieure, inscrire le numéro de plaque signalétique situé à l'intérieur de la hotte, et la date d'achat.

Pour faciliter l'obtention d'un service sous garantie, agraffer la preuve de la date d'achat à ce manuel.

Numéro de modèle

Numéro de série

Date d'achat

Votre sécurité et celle des autres est très importante.

Nous donnons de nombreux messages de sécurité importants dans ce manuel et sur votre appareil ménager. Assurez-vous de toujours lire tous les messages de sécurité et de vous y conformer.



Voici le symbole d'alerte de sécurité.

Ce symbole d'alerte de sécurité vous signale les dangers potentiels de décès et de blessures graves à vous et à d'autres. Tous les messages de sécurité suivront le symbole d'alerte de sécurité et le mot "DANGER", "AVERTISSEMENT" ou "ATTENTION".

Ces mots signifient :

 **DANGER**

Une situation de danger imminent. Vous courez le risque d'un décès ou de blessures graves si vous ne suivez pas immédiatement les instructions.

 **AVERTISSEMENT**

Une situation potentiellement dangereuse qui, si vous ne l'évitez pas, peut provoquer la mort ou des blessures graves.

 **ATTENTION**

Une situation potentiellement dangereuse qui, si vous ne l'évitez pas, peut entraîner des blessures légères à modérées.

Tous les messages de sécurité vous diront quel est le danger potentiel et comment réduire le risque de blessure et ce qui peut se produire en cas de non-respect des instructions.

IMPORTANTES INSTRUCTIONS DE SÉCURITÉ

AVERTISSEMENT : Afin de réduire le risque d'incendie, de choc électrique, de blessures corporelles ou de dommage lors de l'utilisation de la hotte, il convient d'observer certaines précautions fondamentales, notamment :

- Cet appareil est conçu uniquement à des fins d'usage domestique familial normal.
- Avant d'entreprendre un travail d'entretien ou de nettoyage, interrompre l'alimentation de la hotte au niveau du tableau de disjoncteurs, et verrouiller le tableau de disjoncteurs pour empêcher tout rétablissement accidentel de l'alimentation du circuit. Lorsqu'il n'est pas possible de verrouiller le tableau de disjoncteurs, placer sur le tableau de disjoncteurs une étiquette d'avertissement bien en évidence interdisant le rétablissement de l'alimentation.
- Tout travail d'installation ou câblage électrique doit être réalisé par une personne qualifiée, dans le respect des prescriptions de tous les codes et normes applicables, y compris les codes du bâtiment et de protection contre les incendies.
- Ne pas faire fonctionner un ventilateur dont le cordon ou la fiche est endommagé(e). Jeter le ventilateur ou le retourner à un centre de service autorisé pour examen et/ou réparation.
- Une source d'air de débit suffisant est nécessaire pour le fonctionnement correct de tout appareil à gaz (combustion et évacuation des gaz à combustion par la cheminée), pour qu'il n'y ait pas de reflux des gaz de combustion. Respecter les directives du fabricant de l'équipement de chauffage et les prescriptions des normes de sécurité – comme celles publiées par la National Fire Protection Association (NFPA) et l'American Society for Heating, Refrigeration and Air Conditioning Engineers (ASHRAE), et les prescriptions des autorités réglementaires locales.
- Lors d'opérations de découpage et de perçage dans un mur ou un plafond, veiller à ne pas endommager les câblages électriques ou canalisations qui peuvent s'y trouver.
- Les ventilateurs d'évacuation doivent toujours décharger l'air à l'extérieur.

IMPORTANTES INSTRUCTIONS DE SÉCURITÉ

- Cet appareil est conçu uniquement pour la ventilation générale. Ne pas l'utiliser pour l'extraction de matières ou vapeurs dangereuses ou explosives.
- Pour minimiser le risque d'incendie et évacuer adéquatement les gaz, veiller à acheminer l'air aspiré par un conduit jusqu'à l'extérieur – ne pas décharger l'air aspiré dans un espace vide du bâtiment comme une cavité murale, un plafond, un grenier, un vide sanitaire ou un garage.
- Pour réduire le risque d'incendie, utiliser uniquement des conduits métalliques.
- Pour réduire le risque d'incendie ou de choc électrique, ne pas utiliser ce ventilateur avec un quelconque dispositif de réglage de la vitesse à semi-conducteurs.
- Essuyer les renversements immédiatement.
- Ne pas laisser du papier d'aluminium, du plastique, du papier ou un chiffon entrer en contact avec une surface chaude.
- Ne pas laisser les ustensiles sur le feu jusqu'à ce que le liquide qu'ils contiennent s'évapore.
- Toujours avoir un détecteur de fumée en état de marche près de la cuisine.
- Utiliser des mitaines de four humides ou trempées pour manipuler des ustensiles de cuisson chauds peut entraîner des brûlures dues à la vapeur. Ne pas laisser la mitaine de four entrer en contact avec les éléments chauffants lorsqu'ils sont chauds. Ne pas utiliser de chiffon ou tout autre tissu encombrant.

AVERTISSEMENT : POUR MINIMISER LE RISQUE D'UN FEU DE GRAISSE SUR LA CUISINIÈRE :

- Ne jamais laisser un élément de surface fonctionner à puissance de chauffage maximale sans surveillance. Un renversement/débordement de matière grasseuse pourrait provoquer une inflammation et la génération de fumée. Utiliser une puissance de chauffage moyenne ou basse pour le chauffage d'huile.
- Veiller à toujours faire fonctionner le ventilateur de la hotte lors de la cuisson avec une puissance de chauffage élevée ou lors de la cuisson d'un mets à flamber (à savoir crêpes Suzette, cerise jubilee, steak au poivre flambé).

IMPORTANTES INSTRUCTIONS DE SÉCURITÉ

- Nettoyer fréquemment les ventilateurs d'extraction. Veiller à ne pas laisser la graisse s'accumuler sur les surfaces du ventilateur ou des filtres.
- Utiliser toujours un ustensile de taille appropriée. Utiliser toujours un ustensile adapté à la taille de l'élément chauffant.
- NE JAMAIS PRENDRE EN MAIN UN RÉCIPIENT ENFLAMMÉ - vous risquez de vous brûler.
- NE PAS UTILISER D'EAU, ni un torchon humide - ceci pourrait provoquer une explosion de vapeur brûlante.
- Utiliser un extincteur SEULEMENT si :

AVERTISSEMENT : POUR RÉDUIRE LE RISQUE DE DOMMAGES CORPORELS APRÈS LE DÉCLENCHEMENT D'UN FEU DE GRAISSE SUR LA CUISINIÈRE, APPLIQUER LES RECOMMANDATIONS SUIVANTES :^a

- Placer sur le récipient un couvercle bien ajusté, une tôle à biscuits ou un plateau métallique POUR ÉTOUFFER LES FLAMMES, puis éteindre le brûleur. VEILLER À ÉVITER LES BRÛLURES. Si les flammes ne s'éteignent pas immédiatement, ÉVACUER LA PIÈCE ET APPELER LES POMPIERS.

– Il s'agit d'un extincteur de classe ABC, dont on connaît le fonctionnement.

– Il s'agit d'un petit feu encore limité à l'endroit où il s'est déclaré.

– Les pompiers ont été contactés.

– Il est possible de garder le dos orienté vers une sortie pendant l'opération de lutte contre le feu.

^aRecommandations tirées des conseils de sécurité en cas d'incendie de cuisine publiés par la NFPA.

LIRE ET CONSERVER CES INSTRUCTIONS

EXIGENCES D'INSTALLATION

OUTILS ET PIÈCES

Rassembler les outils et pièces nécessaires avant d'entreprendre l'installation. Lire et observer les instructions fournies avec chacun des outils de la liste ci-dessous.

OUTILS NÉCESSAIRES

- Niveau
- Perceuse avec des forets de 1 ¼", ⅜" et ⅝"
- Crayon
- Pince à dénuder ou couteau utilitaire
- Mètre-ruban ou règle
- Pince
- Pistolet à calfeutrage
- Composé de calfeutrage résistant aux intempéries
- Brides de conduit
- Scie sauteuse ou scie à guichet
- Tournevis à lame plate
- Cisaille de ferblantier
- Tournevis Phillips
- Ensemble de clés hexagonales (système métrique)

PIÈCES NÉCESSAIRES

- Conduit d'évacuation métallique circulaire de 6" (15,2 cm) de diamètre – longueur nécessaire déterminée par la hauteur de plafond.

Pour les installations sans décharge à l'extérieur (recyclage), il faudra aussi :

- Déflecteur d'air - commander la pièce 31206014
- Filtres à charbon (lot de 2) - commander la pièce 31264001

Pour acheter ces pièces pour votre hotte, contacter le Centre de satisfaction clientèle Haier au 1-877-337-3639.

PIÈCES FOURNIES

Retirer les pièces de leur emballage. Vérifier que toutes les pièces sont présentes.

- Cordon d'alimentation 120 V (avec fiche à 3 broches)
- Auvent de hotte (avec ventilateur, raccord de transition, ampoule et partie en verre de la hotte [installés])
- Filtre à graisse métallique
- Bride de support du cache-conduit
- Cache-conduit en deux parties (supérieure et inférieure)
- Vis de montage
- Rondelles
- Chevilles d'ancrage pour cloisons sèches

EXIGENCES D'EMPLACEMENT

IMPORTANT : Observer les dispositions de tous les codes et règlements en vigueur.

Confier l'installation de la hotte à un technicien qualifié. C'est à l'installateur qu'incombe la responsabilité de respecter les distances de séparation spécifiées sur la plaque signalétique de l'appareil. La plaque signalétique de l'appareil est située derrière le filtre de gauche, sur la paroi arrière de la hotte.

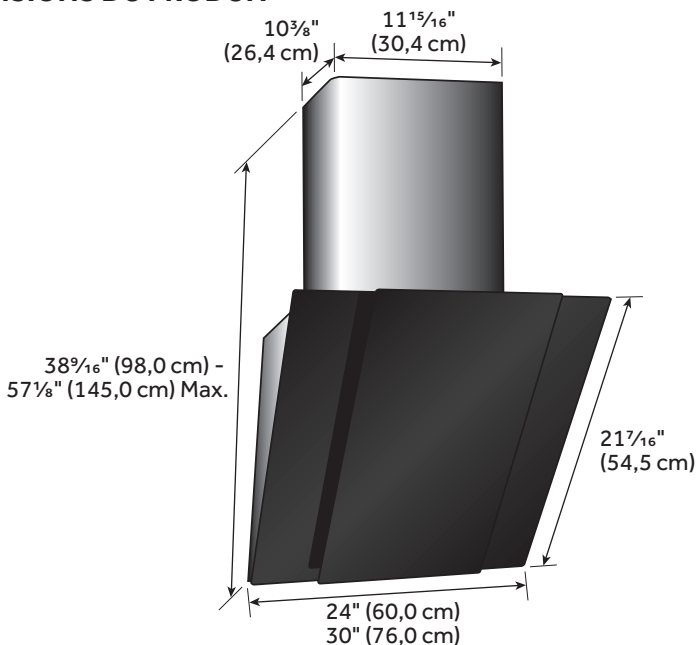
On doit toujours installer la hotte à distance des sources de courant d'air (fenêtres, portes et bouches de chauffage).

On doit disposer d'une prise de courant électrique reliée à la terre. Voir la section "Spécifications électriques".

INSTALLATION DANS UNE RÉSIDENCE MOBILE

L'installation de cette hotte doit satisfaire aux exigences de la norme Manufactured Home Construction Safety Standards, Titre 24 CFR, partie 328 (anciennement Federal Standard for Mobile Home Construction and Safety, titre 24, HUD, partie 280); lorsque cette norme n'est pas applicable, l'installation doit satisfaire aux critères de la plus récente édition de la norme Manufactured Home Installation 1982 (Manufactured Home Sites, Communities and Setups) ANSI A225.1/NFPA 501A, ou des codes locaux.

DIMENSIONS DU PRODUIT



DISTANCES DE DÉGAGEMENT POUR L'INSTALLATION

Il est important d'installer la hotte à la hauteur recommandée par rapport à la table de cuisson. Les hottes montées trop bas peuvent provoquer des dommages liés à la chaleur, alors que les hottes montées trop haut peuvent ne peuvent fournir le rendement et l'efficacité escomptés.

Hauteur entre le dessus de la table de cuisson et le bas de la hotte :

	Minimum:	Maximum:
Électrique	24" (61 cm)	30" (76 cm)
Gaz	30" (76 cm)	

EXIGENCES CONCERNANT L'ÉVACUATION

Air supplémentaire

Les codes du bâtiment peuvent exiger l'utilisation de systèmes d'air supplémentaires lors de l'utilisation des systèmes de ventilation de plus de CFM spécifié de circulation de l'air. Le CFM spécifiée varie d'un emplacement à emplacement.

Consultez votre professionnel de HVAC pour des besoins spécifiques dans votre région.

Ventilation générale

Cette hotte est conçue pour décharge à travers le toit ou à travers le mur. Pour la sortie à travers un mur, on doit employer un raccord coudé à 90°.

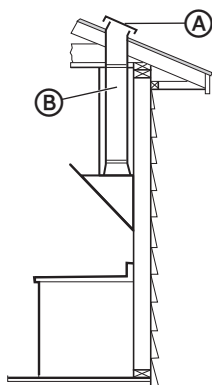
- Le circuit d'évacuation doit décharger l'air à l'extérieur, excepté pour les installations sans décharge à l'extérieur (recyclage).
- Ne pas terminer le circuit d'évacuation dans un grenier ou dans un autre espace clos.
- S'il n'est pas possible d'évacuer les fumées et vapeurs de cuisson à l'extérieur, la hotte peut alors être utilisée pour installation sans décharge à l'extérieur (recyclage) à l'aide d'un déflecteur d'air et d'un filtre à charbon. Il est possible d'acheter un ensemble de recyclage.
- Utiliser un conduit en métal ou en aluminium seulement. Serrer tous les raccords avec des vis à tôle et appliquer du ruban à conduits homologué sur tous les joints. À l'aide d'un produit de calfeutrage, assurer l'étanchéité autour de la bouche de décharge à l'extérieur (à travers le mur ou le toit). Un conduit en métal rigide est recommandé.

REMARQUE : Ne pas utiliser de conduit en plastique ou en aluminium.

- La longueur du circuit d'évacuation et le nombre de coudes doivent être réduits autant que possible pour un rendement optimal.
- Le conduit doit toujours être propre afin d'assurer une circulation adéquate de l'air.

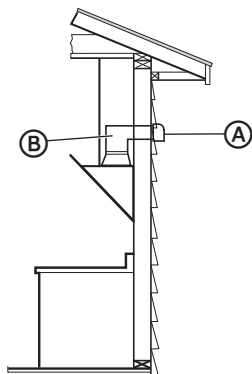
REMARQUE : Un raccord coudé à 90° doit être installé immédiatement au-dessus de la hotte.

Évacuation à travers le toit :



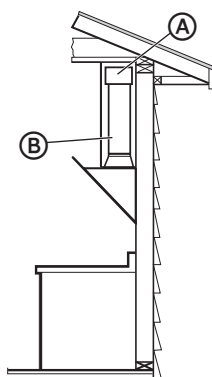
- (A) Bouche de décharge sur toit
- (B) Conduit rond de 6" (15,2 cm)

Évacuation à travers le mur :



- (A) Bouche de décharge murale
- (B) Conduit rond de 6" (15,2 cm)

Installation sans décharge à l'extérieur (recyclage) :



- (A) Déflecteur
- (B) Conduit rond de 6" (15,2 cm)

SPÉCIFICATIONS ÉLECTRIQUES

Observer les dispositions de tous les codes et règlements en vigueur.

Vérifier que l'installation électrique a été correctement effectuée et qu'elle est conforme aux spécifications de la plus récente édition des normes National Electrical Code, ANSI/NFPA 70, ou de la norme CSA C22.1-94, Code canadien de l'électricité, partie 1 et C22.2 N° 0-M91 (dernière édition) et de tous les codes et règlements en vigueur locaux.

Si les codes le permettent et si on utilise un conducteur distinct de liaison à la terre, il est recommandé qu'un électricien qualifié vérifie la qualité de la liaison à la terre.

Pour obtenir un exemplaire des normes ci-dessus, contacter :

National Fire Protection Association
1 Batterymarch Park
Quincy, MA 02169-7471

CSA International
8501 East Pleasant Valley Road
Cleveland, OH 44131-5575

Il est important de s'assurer que les raccordements électriques sont corrects.

MÉTHODE RECOMMANDÉE DE LIAISON À LA TERRE

L'appareil doit être alimenté par un circuit de 120 V, CA seulement, 60 Hz, 15 A, protégé par fusible. Utiliser une prise de courant dont l'alimentation ne peut pas être interrompue par un interrupteur. Ne pas utiliser de rallonge.

REMARQUE : Avant le nettoyage ou le retrait d'une ampoule, éteindre la hotte, puis la déconnecter de la source de courant électrique. Lorsque l'on a terminé, reconnecter la hotte à la source de courant électrique.

INSTRUCTIONS D'INSTALLATION

⚠ AVERTISSEMENT



Risque de choc électrique

Déconnecter la source de courant électrique avant d'installer l'appareil.

Le non-respect de cette instruction peut causer un décès, un incendie ou un choc électrique.

ÉTAPE 1 – DÉBALLAGE DE LA HOTTE

1. Choisir une surface plane pour assembler la hotte, puis la protéger en la couvrant.

⚠ AVERTISSEMENT

Risque du poids excessif

Utiliser deux personnes ou plus pour déplacer et installer la hotte.

Le non-respect de cette instruction peut causer une blessure au dos ou d'autres blessures.

2. À l'aide de deux personnes ou plus, soulever la hotte et la poser sur la surface couverte.

ÉTAPE 2 – PLANIFICATION DE L'INSTALLATION

La hotte convient à des murs mesurant entre 7½ et 8½ pi selon la hauteur de montage de la hotte.

Cette hotte a été conçue pour installations avec conduits et sans décharge à l'extérieur (recyclage). Suivre les instructions relatives aux exigences d'installation.

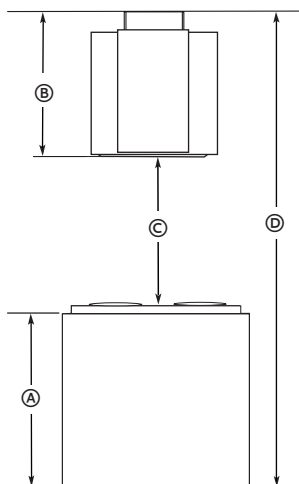
IMPORTANT : Une installation sans décharge à l'extérieur (recyclage) requiert l'emploi d'un déflecteur d'air et de deux filtres à charbon. Pour acheter ces pièces adaptées au modèle de votre hotte, veuillez contacter le service à la clientèle de Haier.

1. Lors du calcul de la hauteur de montage, commencer par prendre en considération ce qui suit :

- Hauteur minimale de montage : en général, le bas de la hotte doit se trouver à au moins 24" (61 cm) de la surface de la cuisinière et à 30" (76 cm) si cette dernière est montée au-dessus d'une cuisinière à gaz. Consulter le manuel d'installation de la hotte pour connaître la hauteur de montage minimum exigée.
- À hauteur des yeux : Il est généralement plus pratique de monter la hotte à une hauteur permettant aux commandes d'être à hauteur des yeux.
- Conception : Facteurs comme la symétrie, l'alignement avec les placards et l'ajustement du cache-conduit.

2. Mesure :

- La distance entre le plancher et le plafond.
- La distance entre le plancher et le comptoir.
- La distance exigée entre la surface de la table de cuisson et le bas de la hotte.



- Ⓐ Hauteur du comptoir
- Ⓑ Hauteur sous hotte entre le plafond et le bas de la surface de la hotte comportant le filtre : $D - A - C = B$
- Ⓒ 24" (61 cm) min. à partir de la surface de cuisson électrique, 30" (76 cm) min. à partir de la surface de cuisson au gaz; distance max. suggérée de 36" (91,4 cm).
- Ⓓ Hauteur sous plafond

3. Déterminer le point central de l'ouverture. À l'aide d'un fil à plomb, marquer la distance qui sépare ce point du plafond à la surface de la cuisinière/table de cuisson.

4. Marquer la hauteur de montage © sur le fil à plomb.

REMARQUE : Il est recommandé d'installer une entretoise croisée sur le mur à la hauteur de montage.

5. Décider de l'emplacement où passeront les conduits entre la hotte et l'extérieur. Un conduit droit et court permettra de favoriser un flux d'air optimal.

6. Décider de l'emplacement d'installation de la prise de 110/120 V en respectant les dimensions de la hotte.

7. Calculer la hauteur requise du cache-conduit.

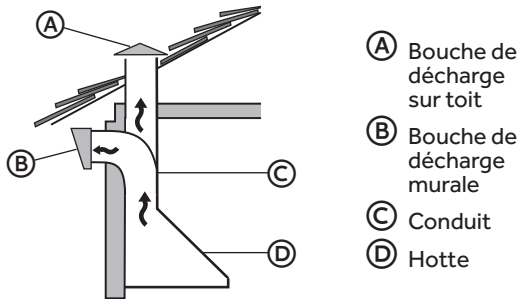
REMARQUE : Pour une installation plus courte, il peut être nécessaire de couper des sections de la structure du conduit et du cache-conduit. Pour une installation plus longue, une pièce d'extension peut être nécessaire.

ÉTAPE 3 - INSTALLATION DES CONDUITS

Cette hotte à montage mural est conçue pour installation avec conduits par l'arrière du cache-conduit à travers un mur extérieur ou pour une installation sans décharge à l'extérieur (recyclage).

INSTALLATION AVEC CONDUITS

IMPORTANT : L'air évacué ne doit pas être déchargé dans un conduit servant à l'évacuation de fumées provenant d'autres appareils électroménagers. L'air évacué ne peut pas être déchargé dans un grenier ou un garage.



8. Prévoir l'emplacement où passeront les conduits entre la hotte et l'extérieur.

REMARQUE : Un conduit droit et court favorise un flux d'air optimal. Des longueurs plus grandes et des conduits coudés réduiront l'efficacité du ventilateur.

9. Installer une bouche de décharge murale à l'extérieur de la maison.

10. Raccorder un conduit métallique rond de 6" à la bouche de décharge, puis poursuivre l'installation en redescendant vers la hotte.

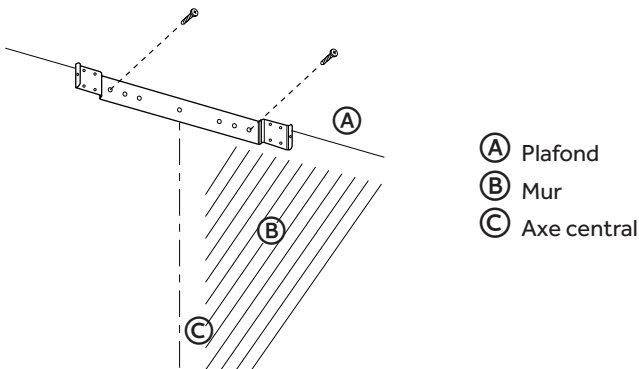
11. Assurer le scellage complet des raccords avec du ruban à conduits.

INSTALLATION SANS DÉCHARGE À L'EXTÉRIEUR (RECYCLAGE)

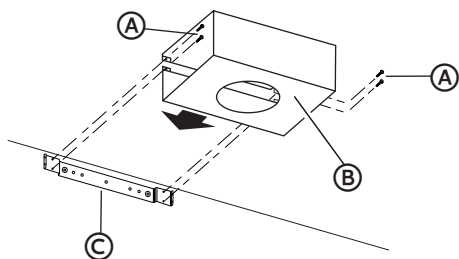
1. Centrer la bride de montage sur le fil à plomb, en partant du bord du plafond.

2. En utilisant des vis adaptées au matériau du mur, fixer la bride sur le mur.

REMARQUE : Si le plafond n'est pas régulier, fixer la bride au niveau le plus bas.



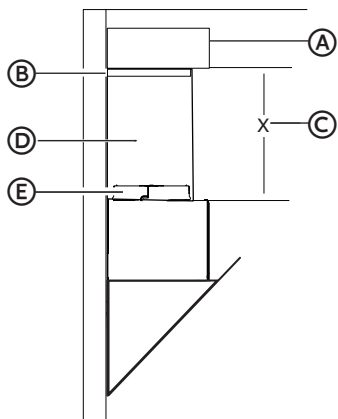
3. Au moyen de quatre vis de montage, fixer le déflecteur d'air à la bride de montage.



- (A) Vis d'assemblage
- (B) Déflecteur d'air (non fournie)
- (C) Bride de cache-conduit

4. Mesurer la longueur de conduit métallique de 6" (15,2 cm) nécessaire pour le raccordement entre le raccord de transition et le déflecteur.

REMARQUE : Une longueur minimum de 1" (2,5 cm) de conduit métallique doit pouvoir entrer à l'intérieur du déflecteur.



- (A) Déflecteur d'air (non fournie)
- (B) Bride de conduit
- (C) X = longueur à laquelle couper le conduit d'évacuation
- (D) Conduit d'évacuation
- (E) Sortie d'évacuation

5. Installer le conduit d'évacuation entre le raccord de transition et le déflecteur.

REMARQUE : Pour faciliter l'installation du conduit, retirer temporairement le déflecteur de la bride de montage et le réinstaller une fois la section de conduit en place.

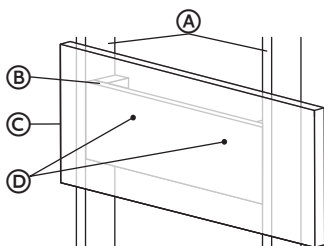
6. Utiliser des brides de conduit pour assurer l'étanchéité de tous les raccords.

REMARQUE : Une fois l'installation de la hotte terminée, achever l'installation sans décharge à l'extérieur (recyclage) en installant les filtres à charbon (non fournis). Voir les instructions dans la section "Filtres à charbon".

ÉTAPE 4 - INSTALLATION DES ENTRETOISES CROISÉES

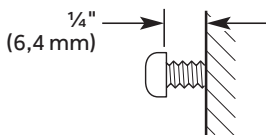
Il est recommandé d'installer les entretoises croisées derrière la cloison sèche, entre deux poteaux muraux, au niveau des vis de montage de la hotte.

1. Mesurer la distance entre le bas de la hotte et le haut des trous de montage. Marquer la distance en traçant une ligne horizontale (hauteur de montage) sur toute la longueur du fil à plomb.
2. Mesurer la distance entre les deux trous de montage, à l'arrière de la hotte. Centrer cette mesure sur la ligne de la hauteur de sorte que chaque moitié de la mesure se trouve de chaque côté du fil à plomb, puis marquer les deux emplacements des trous de montage de la hotte.
3. Derrière la cloison sèche et tout matériau de dossier, installer des entretoises croisées entre les poteaux muraux au niveau des trous pour vis de montage.



- (A) Poteaux muraux
- (B) Entretoises croisées
- (C) Cloison sèche
- (D) Trous de montage

4. Insérer les vis de montage dans les trous de montage marqués, en laissant environ $\frac{1}{4}$ " (6,4 mm) de filet de vis apparent. S'assurer d'utiliser le type de vis adapté au mur/aux entretoises croisées.



REMARQUE : Certains types de murs/vis requièrent de percer un avant-trou avant d'insérer la vis.

ÉTAPE 5 - INSTALLATION DU RACCORDEMENT ÉLECTRIQUE

1. Installer une prise à 3 alvéoles reliée à la terre de 110/120 V sur le mur en respectant les dimensions du cache-conduit.

REMARQUE : Tout câblage électrique doit être réalisé par un électricien qualifié, dans le respect des prescriptions de tous les codes et normes applicables. Cette hotte doit être correctement reliée à la terre. Le retrait de la prise du cordon d'alimentation annulera la garantie de la hotte.

ÉTAPE 6 – INSTALLATION DE LA HOTTE

IMPORTANT :

- Si la hotte est installée au-dessus d'une cuisinière déjà en place, s'assurer que la cuisinière est alors éteinte et qu'elle a totalement refroidi avant de commencer l'installation.
- Ne pas enlever la pellicule en plastique de la hotte jusqu'à ce que l'installation soit terminée.

⚠ AVERTISSEMENT

Risque du poids excessif

Utiliser deux personnes ou plus pour déplacer et installer la hotte.

Le non-respect de cette instruction peut causer une blessure au dos ou d'autres blessures.

⚠ AVERTISSEMENT



Risque de choc électrique

Brancher sur une prise à 3 alvéoles reliée à la terre.

Ne pas enlever la broche de liaison à la terre du cordon d'alimentation.

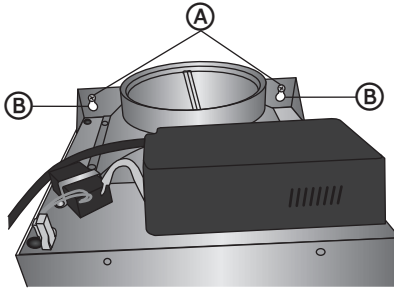
Ne pas utiliser un adaptateur.

Ne pas utiliser un câble de rallonge.

Le non-respect de cette instruction pourrait causer un décès, un incendie ou un choc électrique.

1. Avant le montage, brancher la hotte dans une prise à 3 alvéoles reliée à la terre afin d'en tester toutes les fonctions pour un fonctionnement adéquat.
 - Le ventilateur fonctionne à toutes les vitesses.
 - Les lampes s'allument et s'éteignent.
 - Les volets du clapet s'ouvrent lorsque le ventilateur est en marche.
2. Retirer les filtres à graisse de la hotte afin de ne pas risquer de les endommager durant l'installation.
3. À deux personnes ou plus, maintenir la hotte temporairement en position afin de s'assurer que le bas de la hotte se trouve au-dessus du dégagement minimum au-dessus de la surface de cuisson.

4. Monter la hotte sur les vis de montage. Une fois la hotte de niveau, fixer l'appareil en serrant les vis.



- (A) Vis de montage
- (B) Encoches de montage

REMARQUE : Pour certains modèles de hotte, le cache-conduit doit être installé avant de serrer les vis complètement afin de fixer les bords du cache-conduit.

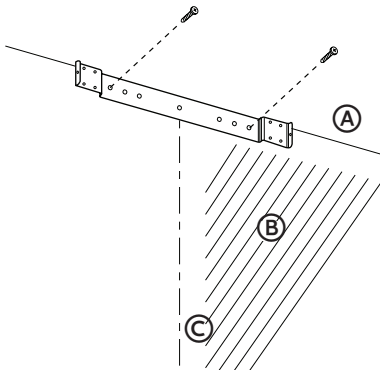
5. Fixer le conduit d'évacuation métallique de 6" au connecteur de conduit de la hotte. S'assurer que les volets du clapet peuvent s'ouvrir librement. Sceller tous les joints.

ÉTAPE 7 - INSTALLATION DES CACHE-CONDUITS

IMPORTANT : Pour les installations sans décharge à l'extérieur (recyclage), sauter les étapes 1 et 2.

1. Centrer la bride de montage sur le fil à plomb, en partant du bord du plafond.
2. En utilisant des vis adaptées au matériau du mur, fixer la bride sur le mur.

REMARQUE : Si le plafond n'est pas régulier, fixer la bride au niveau le plus bas.



- (A) Plafond
- (B) Mur
- (C) Axe central

3. Desserrer délicatement les sections supérieure et inférieure du cache-conduit, en prenant soin de ne pas les séparer. La pièce interne correspond à la section supérieure qui se fixe au mur sur le plafond. La pièce externe correspond à la section inférieure qui reste sur la hotte.

REMARQUE : Retirez le film blanc de la couverture de ventilation, au besoin, avant assemblage et l'installation. Manipuler l'évent couvre délicatement pour éviter de rayer la finition.

⚠ AVERTISSEMENT



Risque de choc électrique

Brancher sur une prise à 3 alvéoles reliée à la terre.

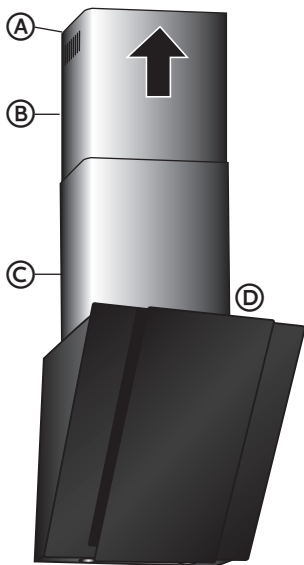
Ne pas enlever la broche de liaison à la terre du cordon d'alimentation.

Ne pas utiliser un adaptateur.

Ne pas utiliser un câble de rallonge.

Le non-respect de cette instruction pourrait causer un décès, un incendie ou un choc électrique.

4. Brancher sur une prise à 3 alvéoles reliée à la terre.
5. Mettre les deux sections imbriquées du cache-conduit sur le dessus de la hotte. Faire glisser (replier) la section interne/supérieure vers le plafond et la fixer en serrant sur la bride murale au moyen des vis (fournies).
6. L'aide de deux vis (fournies) Fixer le couvercle de trou d'air inférieur aux deux crochets sur le dessus de la hotte (une de chaque côté).



- (A) Vis
- (B) Cache-conduit – section supérieure
- (C) Cache-conduit – section inférieure
- (D) Basse Couvre-évent Supports (2) - ne figure pas

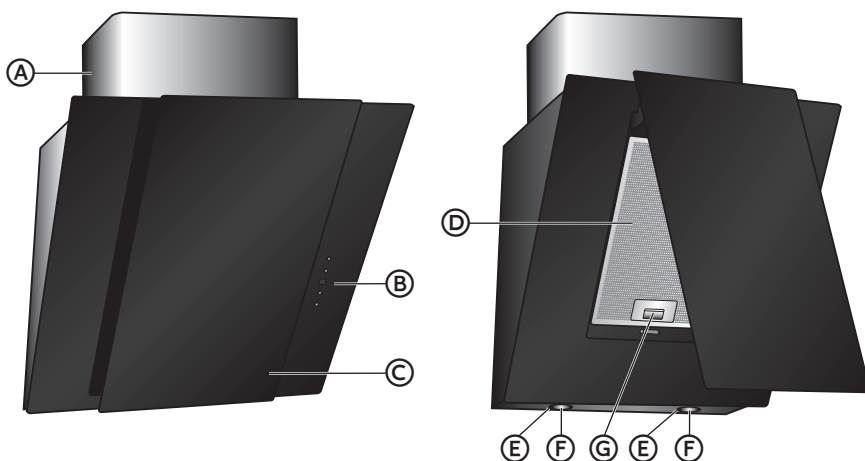
7. Retirer la pellicule restante des cache-conduits.

ÉTAPE 8 – FIN DE L'INSTALLATION

1. Retirer la pellicule en plastique de la hotte.
2. Pour les installations sans décharge à l'extérieur (recyclage) uniquement, installer un filtre à charbon de chaque côté du ventilateur. Voir la section "Entretien de la hotte de cuisinière".

UTILISATION DE LA HOTTE

La hotte de cuisinière est conçue pour extraire fumée, vapeurs de cuisson et odeurs de la zone de la table de cuisson. Pour obtenir les meilleurs résultats, mettre le ventilateur de la hotte en marche avant d'entreprendre une cuisson, et laisser le ventilateur fonctionner pendant plusieurs minutes après l'achèvement d'une cuisson pour pouvoir évacuer de la cuisine toute trace d'odeur de cuisson ou fumée.



(A) Cache-conduit

(B) Tableau de commande

(C) Panneau avant

(D) Filtre à graisse

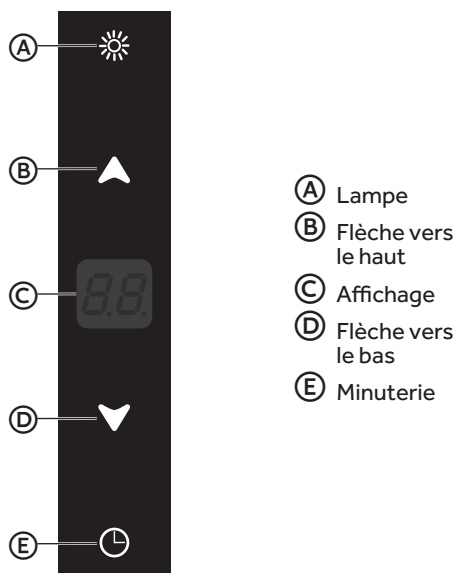
(E) Protège-ampoule

(F) Ampoule halogène

(G) Loquet du filtre à graisse

COMMANDES DE LA HOTTE DE CUISINIÈRE

Les commandes sont situées à l'avant de l'auvent.



LAMPE

- Appuyer sur la touche de la lampe pour allumer/éteindre la lampe.

VENTILATEUR

Les touches à flèches "vers le haut" et "vers le bas" servent à allumer/éteindre le ventilateur et sélectionner une vitesse de ventilation. On peut modifier la vitesse à tout moment pendant le fonctionnement du ventilateur en appuyant sur les touches à flèches "vers le haut" et "vers le bas".

- Appuyer sur la flèche orientée vers le bas pour allumer le ventilateur au réglage bas, régler la vitesse ou éteindre le ventilateur.
- Appuyer sur la flèche orientée vers le haut pour allumer le ventilateur au réglage élevé, régler la vitesse ou éteindre le ventilateur.

MINUTERIE

La commande de minuterie permet de régler une heure d'arrêt du ventilateur.

- Appuyer sur la touche de la minuterie pour éteindre automatiquement le ventilateur après une durée de fonctionnement préétablie de 15 minutes.
- Appuyer sur la touche de la minuterie deux fois pour régler l'heure d'arrêt.

REMARQUE : Lorsque l'horloge commence à clignoter, appuyer sur les touches à flèches "vers le haut" et "vers le bas" pour régler l'heure d'arrêt.

ENTRETIEN DE LA HOTTE

NETTOYAGE

⚠ AVERTISSEMENT



Risque de choc électrique

Déconnecter la source de courant électrique avant le nettoyage.

Le non-respect de cette instruction peut causer un décès ou un choc électrique.

IMPORTANT : Nettoyer fréquemment la hotte et les filtres à graisse en suivant les instructions suivantes. Réinstaller les filtres à graisse avant de faire fonctionner la hotte.

SURFACES EXTERNES :

Afin d'éviter d'endommager la surface externe, ne pas utiliser de tampons en laine d'acier ou de tampons à récurer savonneux.

Toujours essuyer pour éviter de laisser des marques d'eau.

Méthode de nettoyage :

- Détergent liquide et eau, ou produit de nettoyage polyvalent.
- Frotter avec un chiffon doux humide ou une éponge non abrasive, puis rincer avec de l'eau propre et essuyer.

FILTRE À GRAISSE MÉTALLIQUE

1. Déconnecter la source de courant électrique.
2. Soulever le panneau avant de la hotte pour accéder aux filtres à graisse métalliques.



- (A) Dégagement des filtres
(B) Panneau avant

3. Laver le filtre métallique au besoin, soit au lave-vaisselle, soit avec une solution d'eau chaude et de liquide vaisselle.
4. Laisser le filtre sécher complètement.
5. Réinstaller le filtre à graisse métallique.
6. Rétablir l'alimentation électrique.

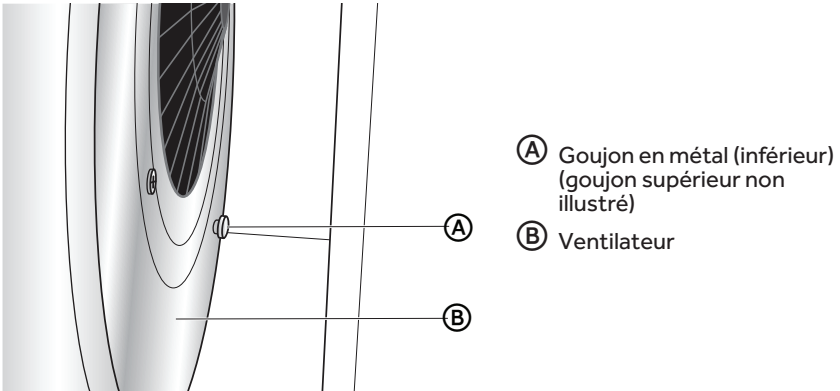
FILTRE À CHARBON (INSTALLATIONS SANS DÉCHARGE À L'EXTÉRIEUR [RECYCLAGE] UNIQUEMENT)

Le filtre à charbon devrait durer pendant 6 mois dans des conditions d'utilisation normales. Le filtre à charbon n'est pas lavable; il doit être remplacé par un filtre neuf.

Pour enlever et remplacer les filtres à charbon :

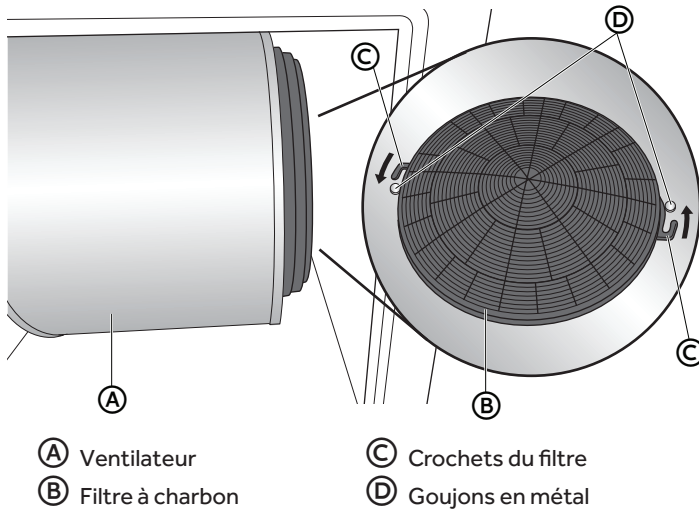
1. Déconnecter la source de courant électrique.
2. Suivre les étapes précédentes pour retirer le filtre à graisse métallique de la hotte.
3. Localiser les filtres à charbon, un de chaque côté du ventilateur, puis les tourner légèrement pour les libérer des goujons en métal.
4. Retirer les deux filtres à charbon usagés et les jeter.
5. Localiser les deux goujons sortant des parties supérieure et inférieure des entrées d'air, du côté droit et du côté gauche du ventilateur.

Entrée d'air du ventilateur - côté droit



6. Insérer un filtre à charbon sur l'entrée d'air du ventilateur, sur les côtés gauche et droit, puis faire légèrement pivoter chaque filtre jusqu'à ce que les crochets du filtre s'accrochent autour des goujons.

Entrée d'air du ventilateur - côté droit



7. Réinstaller le filtre à graisse métallique.
8. Rétablir l'alimentation électrique.

⚠ AVERTISSEMENT



Risque de choc électrique

Assurez-vous que le hotte et que les lumières sont froides et que le hotte est bien éteint avant de remplacer les ampoules.

Les lentilles doivent être remises en place lorsque vous utilisez le hotte. Les lentilles servent à protéger l'ampoule pour qu'elle ne se casse pas.

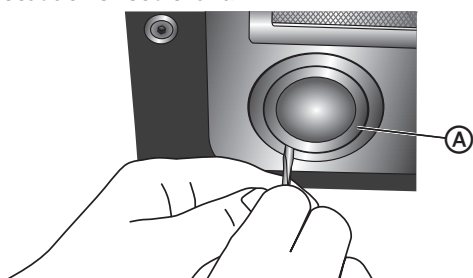
Les lentilles sont en verre. Manipulez-les avec précaution pour éviter de les casser.

Le non-respect de cette instruction pourrait causer un décès, un choc électrique, des coupures ou des brûlures.

Éteindre la lampe de la hotte et laisser l'ampoule refroidir. Pour éviter d'endommager ou de réduire la longévité de l'ampoule neuve, ne pas toucher l'ampoule avec les doigts nus. Porter des gants en coton ou utiliser de l'essuie-tout lors du remplacement de l'ampoule.

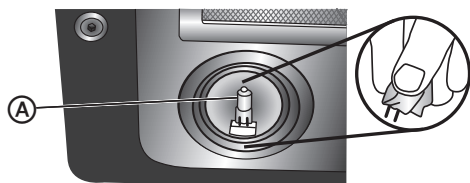
Si l'ampoule neuve ne s'allume pas, vérifier d'abord qu'elle est bien insérée dans la douille avant de demander l'intervention d'un dépanneur.

1. Déconnecter la source de courant électrique.
2. Insérer un tournevis à lame plate, puis dégager le protège-ampoule avec précaution en soulevant.



(A) Protège-ampoule

3. Tirer délicatement sur l'ampoule pour la sortir de la douille.
4. En évitant tout contact avec la peau, insérer une ampoule halogène neuve de grosseur, de forme et de puissance semblables dans la douille.



(A) Ampoule

- Aligner les trois languettes du protège-ampoule sur les orifices dans l'ouverture, puis pousser pour enclencher.
- Rétablir l'alimentation électrique.

DÉPANNAGE

Essayer d'abord les solutions suggérées ici pour éviter le coût d'un appel de service.

Problème	Cause possible	Solution
La hotte ne fonctionne pas.	Alimentation électrique	Brancher le cordon d'alimentation électrique dans la prise de courant.
		Réenclencher le disjoncteur ou remplacer le fusible.
Faible circulation d'air	Les filtres à graisse en aluminium sont obstrués.	Nettoyer et sécher les filtres, puis réassembler.
	Les filtres à charbon sont obstrués.	Remplacer les filtres à charbon.
Le moteur tourne mais l'air ne circule pas.	Le robinet à papillon est coincé.	Faire un appel de service.
Après avoir tourné un moment, le moteur s'arrête.	La sécurité de température élevée est activée.	La cuisine n'est pas suffisamment aérée.
	La hotte a été installée trop près de la cuisinière.	La hotte doit être installée à 24" (61 cm) minimum au-dessus d'une table de cuisson électrique et à 30" (76 cm) au-dessus d'une table de cuisson à gaz.
Forte odeur de cuisson	Les filtres à charbon ne sont pas installés.	En mode de recyclage, des filtres à charbon doivent être installés.
De l'huile goutte sur la cuisinière	Réceptacle de graisse manquant ou pas installé.	Replacer le filtre en aluminium et replacer le réceptacle de graisse.
	Filtre à graisse en aluminium saturé.	Laver les filtres à graisse en aluminium.
Bruit de frottements rythmiques	Problème avec les pales du ventilateur	Faire un appel de service.

POUR OBTENIR DE L'AIDE SUPPLÉMENTAIRE, VISITER HAIERAMERICA.COM OU CONTACTER LA LIGNE D'ASSISTANCE À LA CLIENTÈLE AU 1-877-337-3639.

GARANTIE LIMITÉE

SERVICE À DOMICILE

GARANTIE COMPLÈTE DE DEUX ANS

Pendant 24 mois à compter de la date d'achat d'origine, Haier réparera ou remplacera gratuitement n'importe quelle pièce (main-d'œuvre comprise) comportant un défaut de matériau ou de fabrication.

Haier peut choisir à sa seule discrétion de remplacer ou réparer des pièces, des sous-systèmes ou le produit tout entier.

Le produit doit être accessible, dégagé et installé correctement pour bénéficier du service de réparation sous garantie.

GARANTIE LIMITÉE

REMARQUE : Cette garantie prend effet à la date à laquelle l'article a été acheté et le reçu de l'achat d'origine doit être présenté au représentant de dépannage autorisé avant qu'une quelconque réparation sous garantie ne soit effectuée.

Exceptions : Garantie à usage commercial

90 jours sur la main-d'œuvre à compter de la date d'achat d'origine

90 jours sur les pièces à compter de la date d'achat d'origine

Aucune autre garantie ne s'applique.

SERVICE AU TITRE DE LA GARANTIE

Contactez le centre de dépannage autorisé le plus proche. Tout dépannage doit être effectué par un centre de dépannage autorisé Haier. Pour le nom et le numéro de téléphone du centre de dépannage autorisé le plus proche de votre domicile, composer le 1-877-337-3639.

Avant d'appeler le centre, veuillez garder à disposition les renseignements suivants :

Numéros de plaque signalétique de l'appareil. Le nom et l'adresse du revendeur auprès duquel vous avez acheté l'appareil, ainsi que la date d'achat.

Une description claire du problème rencontré.

Une preuve d'achat (reçu de vente).

Cette garantie est valable pour le service des appareils domestiques aux États-Unis contigus et au Canada et lorsque le service est disponible, en Alaska, à Hawaï et Porto Rico.

Cette garantie ne couvre pas :

Le remplacement ou la réparation des fusibles, disjoncteurs, du câblage ou du circuit de plomberie du domicile.

Un produit dont le numéro de série d'origine a été enlevé ou modifié.

Tous frais de dépannage non identifiés comme étant normaux tel un dépannage dans une zone ou une tranche horaire normale.

Remplacement des ampoules.

Vêtements endommagés.

Les dommages liés à l'expédition.

Les dommages liés à une installation ou un entretien inadapté.

Les dommages causés par l'un des éléments suivants : Mauvaise utilisation, utilisation abusive, accident, incendie ou catastrophe naturelle.

Les dommages résultant d'un dépannage fourni par une entité autre qu'un revendeur ou centre de dépannage autorisé Haier.

Les dommages causés par un courant, une tension ou une alimentation électrique incorrects.

Les dommages résultant d'une quelconque modification ou altération du produit ou d'un ajustement non autorisé par Haier.

Un ajustement des commandes utilisées par le consommateur tel qu'identifié dans le manuel de l'utilisateur.

Les tuyaux, boutons, plateaux à charpie et tout accessoire ou pièce jetable.

Les frais de main-d'œuvre, transport pour dépannage et d'expédition pour le retrait et le remplacement de pièces défectueuses au-delà de la période de 24 mois.

Les dommages liés à une utilisation autre qu'une utilisation domestique normale.

Tout frais de transport et d'expédition.

CETTE GARANTIE LIMITÉE REMPLACE TOUTE AUTRE GARANTIE EXPRESSE OU IMPLICITE, Y COMPRIS, MAIS PAS SEULEMENT, LES GARANTIES IMPLICITES, Y COMPRIS LES GARANTIES DE QUALITÉ MARCHANDE OU D'APTITUDE À UN USAGE PARTICULIER

Le recours offert dans cette garantie est exclusif et se substitue à toute autre garantie.

Cette garantie ne couvre pas les dommages fortuits ou indirects; aussi les limitations décrites ci-dessus peuvent ne pas s'appliquer à votre cas. Certains États ne permettent pas de limitation sur la durée d'une garantie implicite, aussi les limitations décrites ci-dessus peuvent ne pas s'appliquer à votre cas.

Cette garantie vous confère des droits juridiques spécifiques. Vous pouvez également jouir d'autres droits qui peuvent varier d'un État à l'autre.

Haier America
Wayne, NJ 07470

ÍNDICE

SEGURIDAD DE LA CAMPANA DE COCINA	52
REQUISITOS DE INSTALACIÓN	56
Herramientas y piezas	56
Requisitos de ubicación	57
Requisitos de ventilación	58
Requisitos eléctricos	60
INSTRUCCIONES DE INSTALACIÓN	61
Paso 1 - Desempaque la campana de cocina	61
Paso 2 - Planifique la instalación	61
Paso 3 - Instale los conductos.....	63
Paso 4 - Instale refuerzos transversales.....	65
Paso 5 - Instale la conexión eléctrica.....	66
Paso 6 - Instale la campana de cocina.....	66
Paso 7 - Instale las cubiertas del ducto de escape.....	68
Paso 8 - Complete la instalación.....	69
USO DE LA CAMPANA DE COCINA.....	70
Controles de la campana de cocina	71
CUIDADO DE LA CAMPANA DE COCINA	72
Limpieza	72
SOLUCIÓN DE PROBLEMAS	77
GARANTÍA LIMITADA.....	78

INFORMACIÓN A TENER EN CUENTA

Le agradecemos la compra de este producto de marca Haier. Este manual para el usuario lo ayudará a obtener el mejor funcionamiento de su nueva campana de cocina.

Para referencia futura, anote el número de modelo y de serie en el interior de la campana de cocina, y la fecha de compra.

Engrape la prueba de compra a este manual para asistirle cuando necesite obtener servicio bajo la garantía.

Número de modelo

Número de serie

Fecha de compra

Su seguridad y la seguridad de los demás es muy importante.

Hemos incluido muchos mensajes importantes de seguridad en este manual y en su electrodoméstico. Lea y obedezca siempre todos los mensajes de seguridad.



Este es el símbolo de advertencia de seguridad.

Este símbolo le llama la atención sobre peligros potenciales que pueden ocasionar la muerte o una lesión a usted y a los demás. Todos los mensajes de seguridad irán a continuación del símbolo de advertencia de seguridad y de la palabra "PELIGRO", "ADVERTENCIA" o "PRECAUCIÓN".

Estas palabras significan:

! PELIGRO

Se trata de una situación de peligro inminente. Si no sigue las instrucciones de inmediato, usted puede morir o sufrir una lesión grave.

! ADVERTENCIA

Se trata de una situación posiblemente peligrosa que, de no evitarse, podría causar la muerte o una lesión grave.

! PRECAUCIÓN

Se trata de una situación posiblemente peligrosa que, de no evitarse, podría causar lesiones moderadas o leves.

Todos los mensajes de seguridad le dirán el peligro potencial, le dirán cómo reducir las posibilidades de sufrir una lesión y lo que puede suceder si no se siguen las instrucciones.

INSTRUCCIONES IMPORTANTES DE SEGURIDAD

ADVERTENCIA: Para reducir el riesgo de incendio, choque eléctrico, lesiones a personas o daños al utilizar la campana de cocina, siga precauciones básicas, incluyendo las siguientes:

- Este aparato está diseñado exclusivamente para el uso doméstico normal de una familia.
- Antes de dar servicio o limpiar esta unidad, apague el suministro de energía en el panel de servicio, y bloquee los medios de desconexión del servicio para evitar que se encienda accidentalmente el suministro de energía. Cuando el medio de desconexión del servicio no se pueda bloquear, sujete de manera segura un dispositivo de advertencia prominente, como una etiqueta, al panel de servicio.
- El trabajo de instalación y cableado eléctrico se debe llevar a cabo por una persona(s) calificada(s), en conformidad con todos los códigos y estándares aplicables, incluyendo construcciones clasificadas como resistentes al fuego.
- No opere ningún ventilador que tenga un cable o enchufe dañado. Deshágase del ventilador o devuélvalo a un centro de servicio técnico autorizado para que sea examinado y/o reparado.
- Es necesario que haya suficiente aire para la adecuada combustión y ventilación de gases a través del conducto (la chimenea) del equipo que consume combustible para evitar que ocurra contratiempo. Siga la guía y los estándares de seguridad del fabricante del equipo de calefacción, como los publicados por National Fire Protection Association (NFPA) (Asociación nacional de protección contra incendios), American Society for Heating, Refrigeration and Air Conditioning Engineers (ASHRAE) (Sociedad americana de ingenieros de calefacción, refrigeración y aire acondicionado) y las autoridades de códigos locales.
- Cuando corte o taladre en una pared o techo, no dañe el cableado eléctrico ni otros servicios públicos.
- Los ventiladores con conductos siempre deben tener salida al exterior.
- Para usarse solamente en ventilación común. No lo utilice para ventilar materiales y vapores peligrosos o explosivos.

INSTRUCCIONES IMPORTANTES DE SEGURIDAD

- Para reducir el riesgo de incendio y para ventilar el aire adecuadamente, asegúrese de dirigir el aire hacia el exterior; no ventile el aire de salida a espacios dentro de paredes o techos, desvanes, espacios angostos o garajes.
- Para reducir el riesgo de incendio, solo use conductos metálicos.
- A fin de reducir el riesgo de incendio o de choque eléctrico, no use este ventilador con ningún dispositivo semiconductor para el control de la velocidad.
- Limpie los derrames de inmediato.
- No deje que el papel aluminio, plástico, papel o telas entren en contacto con una superficie caliente.
- No permita que las cacerolas hiervan en seco.
- Siempre tenga un detector de humo en funcionamiento cerca de la cocina.
- Las agarraderas para ollas húmedas o mojadas en las superficies calientes pueden ocasionar quemaduras por vapor. No deje que la agarradera para ollas toque los elementos calefactores calientes. No use una toalla ni otros paños voluminosos

ADVERTENCIA: PARA REDUCIR EL RIESGO DE INCENDIO PROVOCADO POR GRASA EN LA SUPERFICIE DE LA ESTUFA:

- Nunca deje las unidades de superficie sin vigilancia cuando estén en ajustes altos. Los derrames por hervor causan salpicaduras grasosas y humeantes, las cuales pueden encenderse. Caliente los aceites lentamente y con ajustes bajos o medios.
- Siempre ENCIENDA la campana cuando cocine con calor alto o cuando flamee alimentos (por ejemplo, crepes Suzette, cerezas Jubileo y flameado de carne de res con pimienta).
- Limpie los ventiladores con frecuencia. No permita que se acumule la grasa en el ventilador o en el filtro.
- Utilice la cacerola del tamaño adecuado. Siempre utilice la cacerola adecuada para el tamaño del elemento de superficie.

INSTRUCCIONES IMPORTANTES DE SEGURIDAD

ADVERTENCIA: PARA EVITAR EL RIESGO DE DAÑOS A PERSONAS EN CASO DE FUEGO POR ALTO NÍVEL DE GRASA, TENGA EN CUENTA LO SIGUIENTE.^a

- SOFOQUE LA LLAMA con una tapadera apropiada, una bandeja metálica ó un utensilio de cocina que pueda cubrirla, despues, apague el quemador. ACTÚE CON PRECAUCIÓN PARA EVITAR QUEMADURAS. Si la llama no se extingue inmediatamente SALGA Y LLAME A LOS BOMBEROS.
- NUNCA COJA UNA SARTEN EN LLAMAS, porque corre el riesgo de quemarse.
- NO USE AGUA ni paños o toallas húmidas porque puede provocarse una violenta humareda.
- Use un extintor SOLAMENTE si:
 - Posee un extintor de clase ABC y sabe perfectamente cómo usarlo.
 - El fuego es pequeño y está controlado en el mismo sitio en que empezó.
 - Ha llamado con anterioridad a los bomberos.
 - Puede combatir el fuego retrocediendo hacia la salida.

^aBasado en "Seguridad antifuego en la cocina" publicado por NFPA.

LEA Y GUARDE ESTAS INSTRUCCIONES

REQUISITOS DE INSTALACIÓN

HERRAMIENTAS Y PIEZAS

Reúna las herramientas y piezas necesarias antes de comenzar la instalación. Lea y siga las instrucciones provistas con cualquiera de las herramientas detalladas aquí.

HERRAMIENTAS NECESARIAS

- Nivel
- Taladro con brocas de 1¼" (3 cm), ⅜" (3,2 mm) y ⅝" (7,9 mm)
- Lápiz
- Pelacables o cuchillo de uso general
- Cinta de medir o regla
- Pinzas
- Pistola para calafateo
- Masilla para calafateo a prueba de agua
- Abrazaderas para ducto
- Sierra de vaivén o sierra caladora
- Destornillador de hoja plana
- Tijeras de hojalatero
- Destornillador Phillips
- Juego de llaves hexagonales métricas

PIEZAS NECESARIAS

- Ducto de ventilación redondo de metal de 6" (15,2 cm) de diámetro - el largo necesario está determinado por la altura del techo.

Para las instalaciones sin ducto de escape (con recirculación), también necesitará:

- Desviador de aire - Solicite la pieza n.º 31206014
- Filtros de carbón (2 por paquete) - Solicite la pieza n.º 31264001

Para comprar estas piezas para su campana de cocina, póngase en contacto con el Centro para la satisfacción del cliente de Haier llamando al 1-877-337-3639.

PIEZAS SUMINISTRADAS

Retire las piezas de los paquetes. Verifique que estén todas las piezas.

- Cable eléctrico de 120 V (con enchufe de 3 terminales)
- Soporte de apoyo de la cubierta del ducto de escape
- Ensamblaje del escudete para campana (con soplador, pieza de transición del ducto, foco y escudete de vidrio [instalados])
- Cubierta del ducto de escape de dos piezas (superior e inferior)
- Filtro metálico para grasa
- Tornillos de montaje
- Arandelas
- Taquetes para panel de yeso

REQUISITOS DE UBICACIÓN

IMPORTANTE: Observe todos los códigos y ordenanzas aplicables.

Haga que un técnico calificado instale la campana de cocina. Es la responsabilidad del instalador cumplir con los espacios libres de instalación especificados en la placa indicadora de modelo/serie. La placa indicadora de modelo/serie está ubicada detrás del filtro izquierdo, en la pared posterior de la campana de ventilación.

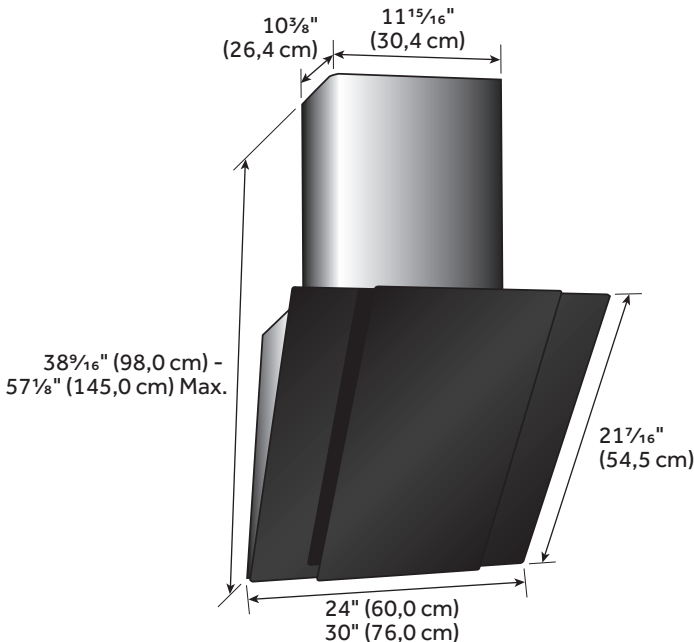
La ubicación de la campana con escudete deberá estar lejos de zonas con corrientes fuertes de aire, tales como ventanas, puertas u orificios de calefacción fuertes.

Se requiere un tomacorriente con conexión a tierra. Vea la sección "Requisitos eléctricos".

PARA LA INSTALACIÓN EN CASAS RODANTES

La instalación de esta campana de cocina debe ajustarse a los Manufactured Home Construction Safety Standards (Estándares de seguridad de construcción de casas fabricadas), Título 24 CFR, Parte 328 (anteriormente conocidos como Federal Standard for Mobile Home Construction and Safety [Estándar federal para la seguridad y construcción de casas rodantes], Título 24, HUD Parte 280), o cuando dicho estándar no sea aplicable, el estándar Manufactured Home Installation (Estándar para instalación en casas fabricadas) de 1982 (Manufactured Home Sites, Communities and Setups [Obras, comunidades y proyectos de casas fabricadas]), ANSI A225.1/NFPA 501A, o la última edición o con los códigos locales.

DIMENSIONES DEL PRODUCTO



ESPACIO PARA LA INSTALACIÓN

Es importante instalar la campana de ventilación a la altura correcta de la superficie de cocción. Si las campanas se colocan demasiado bajas, se podrían dañar a causa del calor; mientras que si se colocan demasiado altas, se podría ver afectada su eficacia y funcionamiento.

Altura entre la parte superior de la estufa y la parte inferior de la campana:

	Mínimo:	Máximo:
Eléctrico	24" (61 cm)	30" (76 cm)
Gas	30" (76 cm)	

REQUISITOS DE VENTILACIÓN

Aire suplementario

Los códigos de construcción locales pueden requerir el uso de sistemas de aire suplementarios cuando se utilizan sistemas de ventilación superiores especificado CFM de movimiento de aire. El CFM especificado varía de un lugar a otro .

Consulte a su profesional de HVAC para requisitos específicos en su área.

Ventilación general

La campana de ventilación ha sido diseñada para proporcionar ventilación a través del techo o una pared lateral. Para colocar el ducto de escape a través de la pared, se necesita un codo de 90°.

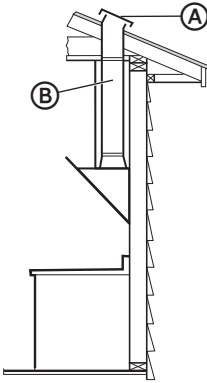
- El sistema de ventilación debe tener salida al exterior, excepto para las instalaciones sin ducto de escape (con recirculación).
- No dirija la salida del sistema de ventilación hacia el desván u otra área cerrada.
- Si no es posible ventilar el humo de la cocción al exterior, la campana puede usarse en las instalaciones sin ducto de escape (con recirculación); para ello, se debe colocar un desviador y un filtro de carbón. El juego de recirculación está disponible para la compra.
- Solo utilice un ducto de escape rígido de metal o aluminio. Sujete todas las conexiones con tornillos para lámina metálica y fije todas las uniones con cinta para ducto certificada. Utilice masilla de calafateo para sellar la abertura exterior de la pared o el techo alrededor de la tapa. Se recomienda un ducto de escape rígido de metal.

NOTA: No se recomienda el uso de un ducto de escape de plástico u hoja metálica.

- El largo del sistema de ventilación y el número de codos se deben mantener al mínimo para proveer un funcionamiento eficaz.
- Mantenga siempre el ducto limpio para garantizar un flujo de aire adecuado.

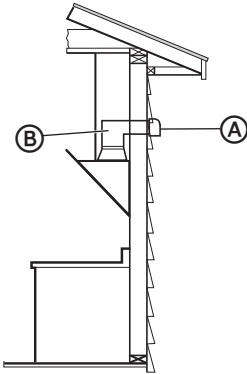
NOTA: Se debe instalar un codo de 90° justo arriba de la campana.

Ventilación a través del techo:



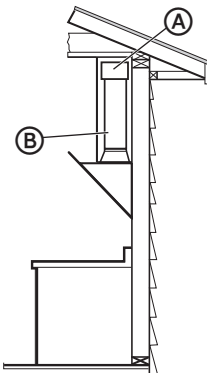
- (A) Tapa del techo
- (B) Ducto de escape redondo de 6" (15,2 cm)

Ventilación a través de la pared:



- (A) Tapa para pared
- (B) Ducto de escape redondo de 6" (15,2 cm)

Sin ducto de escape (con recirculación):



- (A) Desviador
- (B) Ducto de escape redondo de 6" (15,2 cm)

REQUISITOS ELÉCTRICOS

Observe todos los códigos y ordenanzas aplicables.

Asegúrese de que la instalación eléctrica sea adecuada y en conformidad con el National Electrical Code (Código Nacional Eléctrico), ANSI/NFPA 70 (última edición) o las normas de CSA C22.1-94, Canadian Electrical Code (Código canadiense de electricidad), Parte 1 y C22.2 N.º 0-M91 (última edición), y todos los códigos y ordenanzas locales.

Si los códigos lo permiten y se emplea un alambre de conexión a tierra separado, se recomienda que un electricista calificado determine si la trayectoria de conexión a tierra es la adecuada.

Usted puede obtener una copia de las normas de los códigos arriba indicadas en:

National Fire Protection Association
1 Batterymarch Park
Quincy, MA 02169-7471

CSA International
8501 East Pleasant Valley Road
Cleveland, OH 44131-5575

Es importante asegurarse de que cuenta con la conexión eléctrica adecuada.

MÉTODO DE CONEXIÓN A TIERRA RECOMENDADO

Se requiere suministro eléctrico de 120 Voltios, 60 Hz, CA solamente y con fusibles de 15 amperios, debidamente conectado a tierra. Use un tomacorriente que no se pueda apagar con un interruptor. No use un cable eléctrico de extensión.

NOTA: Antes de limpiar o quitar el foco, apague la campana de ventilación y luego, desconéctela de la fuente de energía eléctrica. Cuando termine, vuelva a conectar la campana de ventilación a la fuente de energía eléctrica.

INSTRUCCIONES DE INSTALACIÓN

⚠ ADVERTENCIA



Peligro de Choque Eléctrico

Desconecte el suministro de energía antes de instalar la unidad.

No seguir estas instrucciones puede ocasionar la muerte, incendio o choque eléctrico.

PASO 1 - DESEMPAQUE LA CAMPANA DE COCINA

1. Seleccione una superficie plana para ensamblar la campana de cocina y cubra la superficie.

⚠ ADVERTENCIA

Peligro de Peso Excesivo

Use dos o más personas para mover e instalar la campana de cocina.

No seguir esta instrucción puede ocasionar una lesión en la espalda u otro tipo de lesiones.

2. À l'aide de deux personnes ou plus, soulever la hotte et la poser sur la surface couverte.

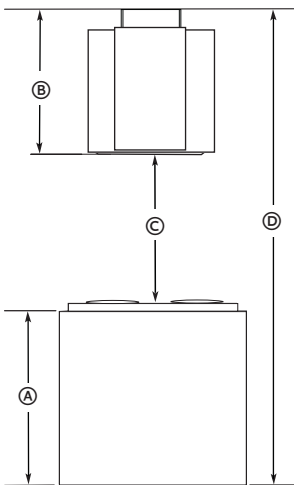
PASO 2 - PLANIFIQUE LA INSTALACIÓN

La campana de cocina encajará en paredes de entre 7½' (2,3 m) y 8½' (2,6 m) según la altura de montaje de la campana de cocina.

Su campana de cocina ha sido diseñada para usarse en instalaciones con ducto y sin ducto de escape (con recirculación). Siga las instrucciones que sean específicas para sus necesidades de instalación.

IMPORTANTE: Si realizará una instalación sin ducto de escape (con recirculación), necesitará un desviador de aire y dos filtros de carbón. Para comprar estas piezas para su modelo de campana de cocina, póngase en contacto con el Servicio al Cliente de Haier.

- En primer lugar, considere lo siguiente al calcular la altura de montaje.
 - Altura mínima de montaje: en general, la parte inferior de la campana de ventilación debe estar como mínimo a 24" (61 cm) de la superficie de la estufa y a 30" (76 cm) si se coloca sobre una estufa a gas. Para conocer la altura mínima de montaje necesaria de la campana, consulte el manual de instalación.
 - Al nivel de la vista: en general, es más conveniente colocar la campana de cocina a una altura donde los controles se encuentren al nivel de la vista.
 - Diseño: factores tales como simetría, alineación con los armarios y la forma en que encaja la cubierta del ducto de escape.
- Mida:
 - La distancia desde el suelo hasta el techo.
 - La distancia desde el suelo hasta el mostrador.
 - La distancia necesaria desde la parte superior de la superficie de la estufa hasta la parte inferior de la campana de cocina.



- (A) Altura del mostrador
- (B) Altura de la campana desde el techo hasta la parte inferior de la superficie del filtro de la campana de cocina: $D - A - C = B$
- (C) 24" (61 cm) como mínimo desde la superficie de cocción eléctrica, 30" (76 cm) como mínimo desde la superficie de cocción a gas, 36" (91,4 cm) como máximo sugerido.
- (D) Altura del techo

- Determine el punto central de la abertura. Marque una línea a plomo por este punto desde el techo hasta la superficie de la estufa/superficie de cocción.
- Marque la altura de montaje © sobre la línea de plomo.

NOTA: Recomendamos instalar un refuerzo transversal en la pared a la altura de montaje.

- Decida el lugar por el que pasarán los conductos entre la campana y la parte externa. Los trayectos de ductos rectos y cortos proporcionarán el mayor flujo de aire.

- Decida dónde instalar el tomacorriente de 110/120 V según las dimensiones de la cubierta del ducto de escape.
- Calcule la altura necesaria de la cubierta del ducto de escape.

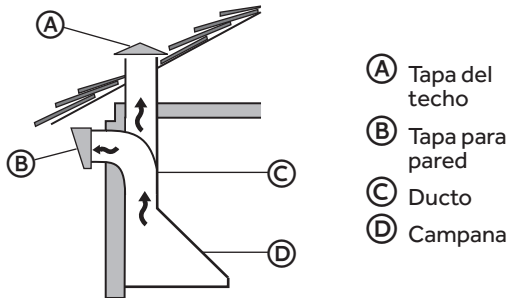
NOTA: Si debe realizar una instalación más corta, es posible que deba hacer cortar las secciones de la cubierta del ducto de escape y la estructura de ventilación. En el caso de una instalación más larga, es posible que deba colocar una pieza de extensión.

PASO 3 - INSTALE LOS CONDUCTOS

Su campana de cocina montada sobre la pared ha sido diseñada para instalarse con un conducto detrás de la cubierta del ducto de escape a través de una pared externa o para utilizarse en una instalación sin ducto de escape (con recirculación).

INSTALACIÓN CON CONDUCTO

IMPORTANTE: El aire de escape no debe salir por un conducto utilizado para humos de salida de otros electrodomésticos. El aire de escape no debe tener salida de ventilación hacia un desván o garaje.



- Planifique el lugar por el que pasarán los conductos entre la campana de cocina y la parte externa.

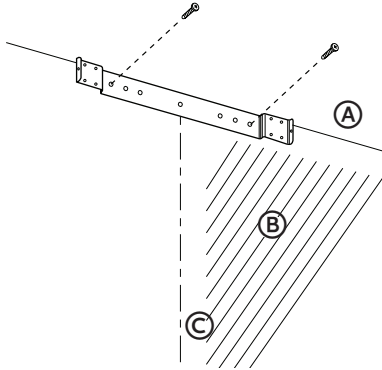
NOTA: Un trayecto de ducto recto y corto brindará el mayor flujo de aire. Los trayectos más prolongados y los ductos de codo reducirán la eficacia del soplador.

- Instale una tapa para pared fuera de su casa.
- Conecte un conducto metálico redondo de 6" (15,2 cm) a la tapa y trabaje desde atrás hacia la campana.
- Asegúrese de que las conexiones estén completamente selladas con cinta para ducto.

INSTALACIÓN SIN DUCTO DE ESCAPE (CON RECIRCULACIÓN)

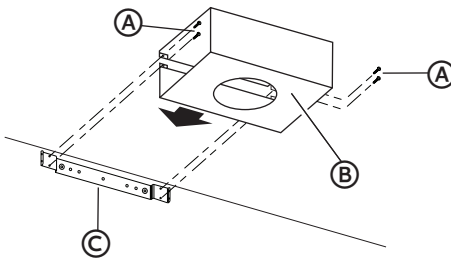
1. Centre el soporte de montaje sobre la línea de plomo, en el borde del techo.
2. Sujete el soporte a la pared con los tornillos adecuados según el material de la pared.

NOTA: Si su techo no es parejo, instale el soporte de la pared en el punto más bajo del nivel.



- (A) Techo
- (B) Pared
- (C) Central

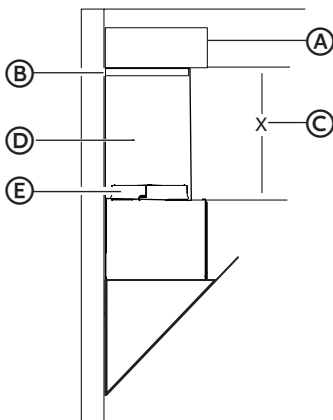
3. Sujete el desviador de aire al soporte de montaje con los cuatro tornillos de montaje.



- (A) Tornillos de ensamblaje
- (B) Desviador de aire (no provisto)
- (C) Soporte de la cubierta del ducto

4. Mida la longitud del ducto de metal de 6" (15,2 cm) necesaria para conectar la pieza de transición al desviador.

NOTA: Coloque un mínimo de 1" (2,5 cm) del ducto de metal dentro del desviador.



- (A) Desviador de aire (no provisto)
- (B) Abrazadera para ducto
- (C) X = longitud para cortar el ducto de ventilación
- (D) Ducto de ventilación
- (E) Salida de escape

5. Instale el ducto de escape entre la pieza de transición y el desviador.

NOTA: Para hacer más fácil la instalación del ducto de escape, quite provisoriamente el desviador del soporte de montaje y vuelva a colocarlo después de que esté en su lugar la sección del ducto.

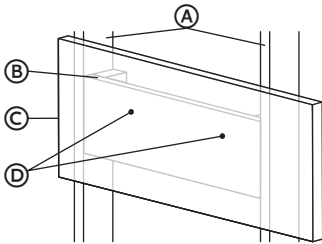
6. Selle todas las conexiones con las abrazaderas para ducto de escape.

NOTA: Después de instalar la campana de cocina, complete la instalación sin ducto de escape (con recirculación) al instalar los filtros de carbón (no provistos). Vea la sección "Filtros de carbón" para obtener más instrucciones.

PASO 4 - INSTALE REFUERZOS TRANSVERSALES

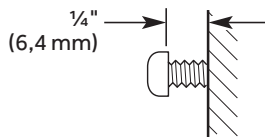
Recomendamos instalar refuerzos transversales detrás del panel de yeso, entre los dos pies derechos de pared, al nivel de los tornillos de montaje de la campana de cocina.

1. Mida la distancia desde la parte inferior de la campana de cocina hasta la parte superior de los orificios de montaje. Marque esta distancia trazando una línea horizontal (Altura de montaje) a lo largo de la línea de plomo.
2. Mida la distancia entre los dos orificios de montaje en la parte posterior de la campana de cocina. Centre la medición sobre la línea de altura de manera que la mitad de la medición se ubique sobre cada lado de la línea de plomo y luego marque las dos ubicaciones para los orificios de montaje de la campana de cocina.
3. Detrás del panel de yeso y cualquier material de la salpicadera, instale refuerzos transversales entre los pies derechos de pared al nivel de los orificios de los tornillos de montaje.



- (A) Pies derechos de pared
- (B) Refuerzos transversales
- (C) Panel de yeso
- (D) Orificios de montaje

4. Inserte los tornillos de montaje en los orificios de montaje marcados y deje aproximadamente 1/4" (6,4 mm) de la rosca a la vista. Asegúrese de utilizar el tipo adecuado de tornillos para su pared/refuerzos transversales.



NOTA: Para algunos tipos de tornillos/paredes, deberá perforar previamente un orificio piloto antes de colocar el tornillo.

PASO 5 - INSTALE LA CONEXIÓN ELÉCTRICA

1. Instale un tomacorriente de 3 terminales de 110/120 V con conexión a tierra en la pared dentro de las dimensiones de la cubierta del ducto de escape.

NOTA: Todo el cableado eléctrico debe ser realizado por un electricista calificado según los códigos y estándares correspondientes. Esta campana de cocina debe estar conectada a tierra correctamente. Si quita el enchufe del cable de alimentación, anulará la garantía de la campana de cocina.

PASO 6 - INSTALE LA CAMPANA DE COCINA

IMPORTANTE:

- Si la campana de cocina se instala arriba de una estufa ya instalada, asegúrese de que dicha estufa esté apagada y se haya enfriado por completo antes de comenzar la instalación.
- No quite la película de plástico de la campana de cocina hasta después de completar la instalación.

⚠ ADVERTENCIA

Peligro de Peso Excesivo

Use dos o más personas para mover e instalar la campana de cocina.

No seguir esta instrucción puede ocasionar una lesión en la espalda u otro tipo de lesiones.

⚠ ADVERTENCIA



Peligro de Choque Eléctrico

Conecte a un contacto de pared de conexión a tierra de 3 terminales.

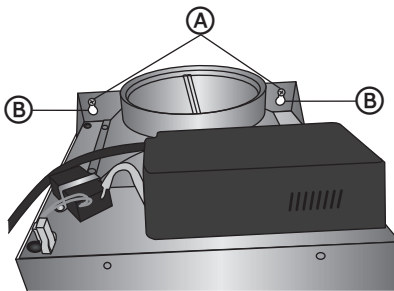
No quite el terminal de conexión a tierra del cable de alimentación.

No use un adaptador.

No use un cable eléctrico de extensión.

No seguir estas instrucciones puede ocasionar la muerte, incendio o choque eléctrico.

1. Antes de instalar la campana de cocina, enchúfela en un tomacorriente de 3 terminales con conexión a tierra para probar que todas las funciones operan correctamente.
 - El soplador funciona a todas las velocidades.
 - Las luces se encienden y se apagan.
 - Las aletas de la compuerta se abren cuando el soplador está encendido.
2. Quite los filtros de grasa de la campana de cocina para evitar que se dañen durante la instalación.
3. Con la ayuda de dos o más personas, sostenga la campana de manera temporaria en posición y asegúrese de que la parte inferior de la campana supere la distancia mínima de la superficie de cocción.
4. Instale la campana de cocina sobre los tornillos de montaje. Después de nivelar la campana, apriete los tornillos para asegurar la unidad.



- (A) Tornillos de montaje
- (B) Ranuras de montaje

NOTA: En algunos tipos de campanas de cocina, debe colocar la cubierta del ducto de escape antes de apretar los tornillos por completo para fijar los bordes de la cubierta del ducto de escape.

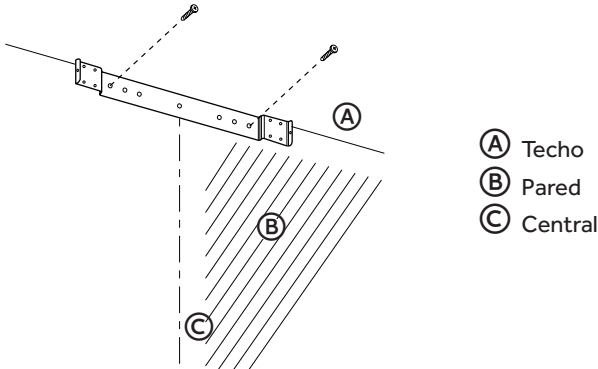
5. Coloque un ducto de escape de metal de 6" (15,2 cm) al conector del ducto de la campana. Asegúrese de que las aletas de la compuerta se pueden abrir bien. Selle todas las juntas.

PASO 7 - INSTALE LAS CUBIERTAS DEL DUCTO DE ESCAPE

IMPORTANTE: En el caso de las instalaciones sin ducto de escape (con recirculación), omita los pasos 1 y 2.

1. Centre el soporte de montaje sobre la línea de plomo, en el borde del techo.
2. Sujete el soporte a la pared con los tornillos adecuados según el material de la pared.

NOTA: Si su techo no es parejo, instale el soporte de la pared en el punto más bajo del nivel.



3. Afloje cuidadosamente sin separar las secciones superior e inferior de la cubierta del ducto de escape. La pieza interna es la sección superior y se sujeta a la pared del techo. La pieza externa es la parte inferior que se apoya sobre la campana de cocina.

NOTA: Retire la película en blanco de las tapas de ventilación, según sea necesario, antes del montaje y la instalación. Manija del respiradero cubre suavemente para no rayar el acabado.

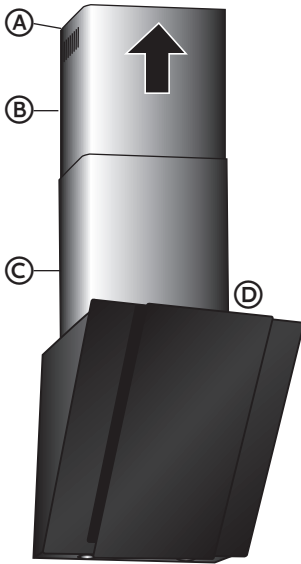
! ADVERTENCIA



Peligro de Choque Eléctrico

- Conecte a un contacto de pared de conexión a tierra de 3 terminales.
- No quite el terminal de conexión a tierra del cable de alimentación.
- No use un adaptador.
- No use un cable eléctrico de extensión.
- No seguir estas instrucciones puede ocasionar la muerte, incendio o choque eléctrico.

4. Brancher sur une prise à 3 alvéoles reliée à la terre.
5. Coloque las dos secciones de la cubierta del ducto de escape integradas en la parte superior de la campana de cocina. Deslice (ensamble) la sección interna/superior hacia el techo y sujétela al soporte de pared con los tornillos (provistos).
6. Dos tornillos de Uso (incluidos) sujetan la cubierta de ventilación inferior a los dos soportes en la parte superior de la campana (una a cada lado).



- (A) Tornillo
- (B) Cubierta superior del ducto de escape
- (C) Cubierta inferior del ducto de escape
- (D) Baja Vent cubierta Soportes (2) - no se muestra

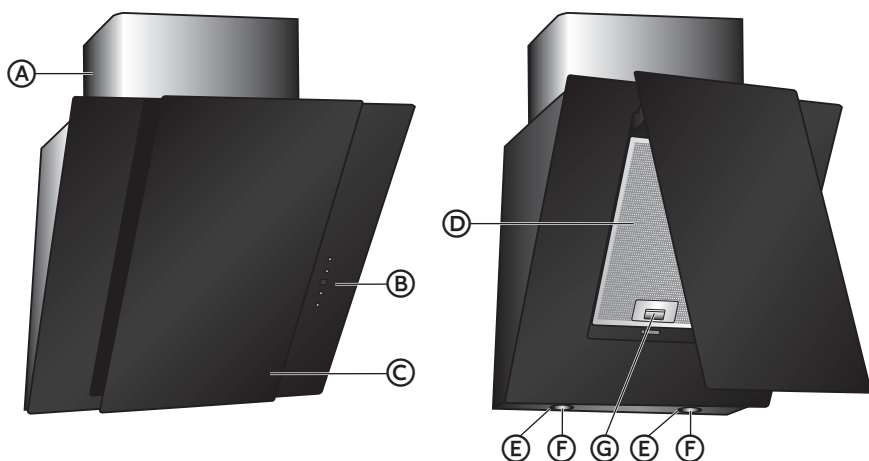
7. Retire cualquier película restante de las cubiertas del ducto de escape.

PASO 8 - COMPLETE LA INSTALACIÓN

1. Quite la película plástica de la campana de cocina.
2. Solamente para las instalaciones sin ducto de escape (con recirculación), instale un filtro de carbón en cada lado del soplador. Vea la sección "Cuidado de la campana de cocina".

USO DE LA CAMPANA DE COCINA

La campana de cocina se ha diseñado para sacar humo, vapores provenientes de la cocción y olores del área de la superficie de cocción. Para obtener mejores resultados, encienda la campana antes de cocinar y permita que funcione por 15 minutos después de haber cocinado, para que quite todo el humo y los olores de la cocina.



- (A) Cubierta del ducto
- (B) Panel de control
- (C) Panel delantero
- (D) Filtro para grasa

- (E) Cubierta de la lámpara
- (F) Foco halógeno
- (G) Liberación del filtro para grasa

CONTROLES DE LA CAMPANA DE COCINA

Los controles están ubicados en el lado frontal del escudete.



LUZ

- Presione el botón táctil de la luz para encender y apagar la luz.

VENTILADOR

Con los botones táctiles de flecha hacia arriba y hacia abajo, podrá encender/apagar el ventilador y controlar la velocidad. Presione la tecla con la flecha hacia arriba o hacia abajo para poder cambiar la velocidad del ventilador en cualquier momento durante el funcionamiento.

- Presione la flecha hacia abajo para encender el ventilador a baja velocidad, ajustar la velocidad o apagar el ventilador.
- Presione la flecha hacia arriba para encender el ventilador a alta velocidad, ajustar la velocidad o apagar el ventilador.

TEMPORIZADOR

El control del temporizador le permite fijar una hora de apagado del ventilador.

- Presione el botón táctil del temporizador una vez para apagar el ventilador automáticamente después de funcionar durante un tiempo prefijado de 15 minutos.
- Presione el botón del temporizador dos veces para fijar la hora de apagado.

NOTA: Cuando el reloj comienza a destellar, presione la flecha hacia arriba o hacia abajo para ajustar el tiempo de apagado.

LIMPIEZA

⚠ ADVERTENCIA



Peligro de choque eléctrico

Desconecte el suministro de energía antes de limpiarlo.

No seguir esta instrucción puede ocasionar la muerte o choque eléctrico.

IMPORTANTE: Limpie con frecuencia la campana y los filtros para grasa de acuerdo con las instrucciones a continuación. Vuelva a colocar los filtros para grasa antes de poner a funcionar la campana.

SUPERFICIES EXTERIORES:

Para evitar daños a la superficie exterior, no use estropajos de acero ni jabonosos.

Siempre séquela con un paño para evitar manchas de agua.

Método de limpieza:

- Detergente líquido y agua o producto de limpieza general
- Límpiela con un paño suave húmedo o una esponja no abrasiva, enjuáguela con agua limpia y séquela con un paño.

FILTRO METÁLICO PARA GRASA

1. Desconecte el suministro de energía.
2. Abra el panel delantero de la campana de cocina para acceder a los filtros de grasa de metal.



- (A) Liberación del filtro
- (B) Panel delantero

3. Lave el filtro de metal, según fuera necesario, en la lavavajillas o con una solución de agua caliente y detergente para vajilla.
4. Espere que el filtro se seque por completo.
5. Vuelva a colocar el filtro metálico para grasa.
6. Vuelva a conectar el suministro de energía.

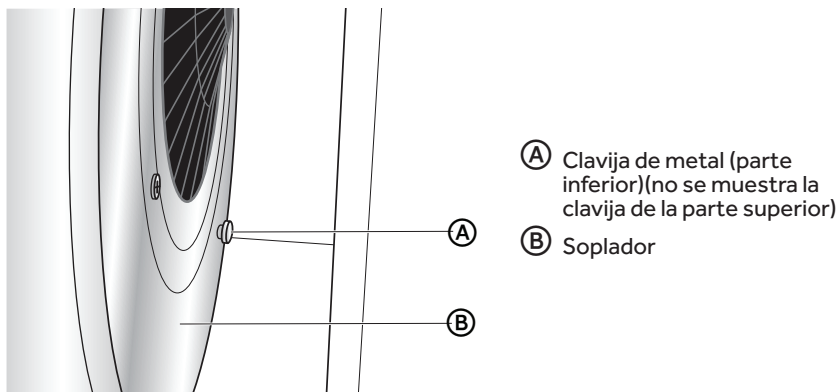
FILTRO DE CARBÓN (SOLO PARA INSTALACIONES SIN DUCTO DE ESCAPE [RECIRCULACIÓN])

El filtro de carbón debe durar hasta 6 meses con un uso normal. El filtro de carbón no es lavable; se debe reemplazar por un nuevo filtro.

Para quitar y reemplazar los filtros de carbón:

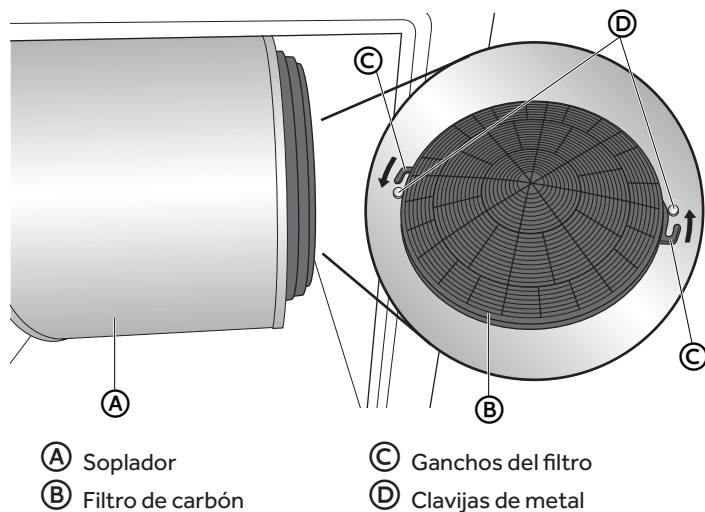
1. Desconecte el suministro de energía.
2. Siga los pasos anteriores para quitar el filtro de grasa de metal de la campana.
3. Localice los filtros de carbón en cada lado del soplador y gire cada uno levemente para desengancharlos de las clavijas de metal.
4. Quite los dos filtros de carbón usados y deséchelos.
5. Localice los dos pies derechos que se extienden desde la parte superior e inferior de las tomas de los lados derecho e izquierdo del soplador.

Toma del soplador - lado derecho



6. Coloque un filtro de carbón en la toma del soplador de los lados derecho e izquierdo y, luego, gire cada filtro levemente hasta que los ganchos del filtro envuelvan las clavijas.

Toma del soplador - lado derecho



7. Vuelva a colocar el filtro de grasa de metal.
8. Vuelva a conectar el suministro de energía.

CÓMO REEMPLAZAR UNA LÁMPARA

⚠ ADVERTENCIA



Peligro de choque eléctrico

Asegúrese de que la campana de cocina y las lámparas estén frías y la campana de la cocina se ha apagada antes de reemplazar la(s) bombilla(s).

Las lentes tienen que estar montadas cuando se usa el horno. Las lentes sirven para evitar que se rompan las bombillas.

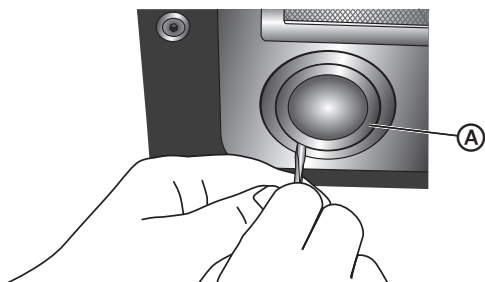
Las lentes son de vidrio. Manéjelas con cuidado para evitar que se rompan.

No seguir esta instrucción puede resultar en choques eléctricos, cortaduras, quemaduras o la muerte.

Apague la luz de la campana de cocina y espere a que se enfríe el foco. Para evitar dañar o acortar la vida útil del nuevo foco, no lo toque con los dedos descubiertos. Use guantes de algodón o un pañuelo de papel cuando cambie el foco.

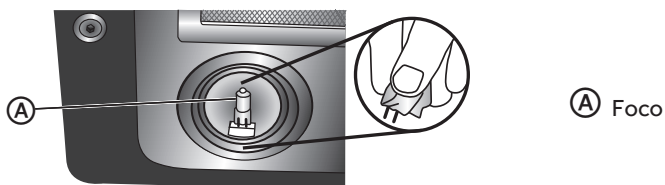
Si no se enciende el nuevo foco, primero verifique que esté colocado correctamente en el portalámpara antes de llamar al servicio técnico.

1. Desconecte el suministro de energía.
2. Inserte un destornillador de hoja plana y suavemente levante la pantalla de luz.



Ⓐ Pantalla de luz

3. Quite cuidadosamente el foco quemado del portalámpara.
4. Evite el contacto con la piel, coloque en el portalámpara un foco halógeno nuevo del mismo tamaño, forma y vataje.



5. Alinee las tres lengüetas de la pantalla de luz con los orificios de la abertura y empuje hacia arriba para que encaje en su lugar.
6. Vuelva a conectar el suministro de energía.

SOLUCIÓN DE PROBLEMAS

Pruve primero las soluciones sugeridas aquí para evitar posiblemente el costo de una visita de servicio técnico.

Problema	Posible causa	Solución
La campana no funciona	Suministro eléctrico	Enchufe el cable de alimentación en la fuente de energía.
		Reajuste/Encienda el cortacircuitos o cambie el fusible.
Flujo de aire deficiente	Los filtros de aluminio para grasa están obstruidos.	Limpie y seque los filtros y, luego, vuévalos a colocar.
	Los filtros de carbón están obstruidos.	Reemplace los filtros de carbón.
El motor funciona, pero no hay flujo de aire.	La válvula de mariposa está atascada.	Llame para solicitar servicio técnico.
Después de funcionar por un rato, el motor se detiene.	Está activado el dispositivo de seguridad de alta temperatura.	La cocina no se ventila lo suficiente.
	La campana está instalada demasiado cerca de la estufa.	La campana de cocina se debe instalar, como mínimo, a 24" (61 cm) sobre una superficie de cocción eléctrica y a 30" (76 cm) sobre una superficie de cocción a gas.
Fuerte olor de la cocina	No se instalaron los filtros de carbón.	En el modo de recirculación, se deben instalar los filtros de carbón.
Gotea aceite sobre la estufa	La taza de aceite no está o no se instaló.	Vuelva a colocar el filtro de aluminio y la taza de aceite.
	Filtro de aluminio para grasa saturado.	Lave los filtros de aluminio para grasa.
Sonido de runruno	Problema con las aspas del ventilador.	Llame para solicitar servicio técnico.

SI NECESITA MÁS AYUDA, VISITE HAIERAMERICA.COM O COMUNÍQUESE CON LA LÍNEA DE AYUDA AL CONSUMIDOR LLAMANDO AL 1-877-337-3639.

GARANTÍA LIMITADA

SERVICIO EN EL HOGAR

GARANTÍA COMPLETA POR DOS AÑOS

Durante 24 meses a partir de la fecha de compra original en la tienda, Haier reparará o reemplazará cualquier pieza del aparato sin costo, incluyendo la mano de obra, si la misma falla debido a defectos en los materiales o en la mano de obra.

Haier may replace or repair at their sole discretion any part, sub system including the entire product.

Product must be accessible, without encumbrance and installed properly to receive for warranty repair service.

GARANTÍA LIMITADA

NOTA: Esta garantía comienza en la fecha de compra de este producto, y el recibo original deberá presentarse al representante autorizado de servicio antes de hacerse las reparaciones bajo la garantía.

Excepciones: Garantía uso comercial

90 días en la mano de obra a partir de la fecha de compra original

90 días en las piezas a partir de la fecha de compra original

No es aplicable ninguna otra garantía.

PARA OBTENER SERVICIO BAJO LA GARANTÍA

Póngase en contacto con el centro de servicio autorizado más cercano a su localidad. Todo servicio deberá ser realizado por un centro de servicio autorizado por Haier. Para obtener el nombre y el número de teléfono del centro de servicio autorizado más cercano, llame al 1-877-337-3639.

Antes de llamar, tenga a mano la siguiente información:

Número de modelo y de serie del aparato. El nombre y la dirección del distribuidor en donde compró la unidad y la fecha de compra.

Una descripción clara del problema.

Un comprobante de compra (recibo de compra).

Esta garantía cubre servicios para electrodomésticos dentro de los Estados Unidos continental y Canadá y donde esté disponible en Alaska, Hawaii y Puerto Rico.

Lo que no está cubierto bajo esta garantía:

Reemplazo o reparación de fusibles domésticos, cortacircuitos, cableado o plomería.

Un producto cuyo número de serie original haya sido removido o alterado.

Cualquier cargo por servicio que no haya sido identificado específicamente como servicio normal, como puede ser el área o las horas de servicio.

Reemplazo de los focos.

Daños a la ropa.

Daños ocurridos durante el transporte.

Daños ocasionados por la instalación o el mantenimiento inadecuados.

Daños por el uso incorrecto, abuso, accidente, incendio, inundación o fenómenos de la naturaleza.

Daños debidos al servicio efectuado por un distribuidor o centro de servicio que sea diferente del autorizado por Haier.

Daños ocasionados por la corriente, el voltaje o el suministro eléctrico incorrectos.

Daños que resulten de cualquier modificación hecha en el producto, alteración o ajustes no autorizados por Haier.

Ajuste de los controles manejados por el cliente según han sido identificados en el manual del propietario.

Mangueras, perillas, bandejas de pelusa y todos los otros aditamentos, accesorios y piezas desechables.

Cargos por mano de obra, transporte para el servicio y envío para la remoción y el reemplazo de las piezas defectuosas que se efectúen después del período inicial de 24 meses.

Daños ocasionados por un uso diferente al doméstico normal.

Cualquier gasto de transporte y de envío.

ESTA GARANTÍA LIMITADA REEMPLAZA TODAS LAS OTRAS GARANTÍAS, EXPRESAS O IMPLÍCITAS QUE INCLUYAN, ENTRE OTRAS, LAS GARANTÍAS DE COMERCIALIZACIÓN O DE CAPACIDAD PARA UN PROPÓSITO EN PARTICULAR

El recurso provisto en esta garantía es exclusivo y está otorgado en lugar de cualquier otro recurso.

Esta garantía no cubre daños incidentales o consecuentes, de modo que las limitaciones indicadas anteriormente pueden no aplicarse en su caso. Algunos estados no permiten las limitaciones acerca de cuánto tiempo dura una garantía implícita, de modo que las limitaciones arriba indicadas quizás no le correspondan.

Esta garantía le otorga derechos legales específicos, y es posible que usted tenga otros derechos, los cuales varían de un estado a otro.

Haier America
Wayne, NJ 07470

IMPORTANT

Do Not Return This Product To The Store
If you have a problem with this product, please contact the
"Haier Customer Satisfaction Center" at
1-877-337-3639.

DATED PROOF OF PURCHASE, MODEL #, AND SERIAL #
REQUIRED FOR WARRANTY SERVICE

IMPORTANT

Ne pas Réexpédier ce Produit au Magasin
Pour tout problème concernant ce produit, veuillez contacter
le service des consommateurs "Haier Customer Satisfaction Center" au
1-877-337-3639.

PREUVE D'ACHAT DÁTÉE, NUMÉRO DE MODÈLE ET LE NUMÉRO DE SÉRIE
REQUIS POUR LE SERVICE DE GARANTIE

IMPORTANTE

No regrese este producto a la tienda
Si tiene algún problema con este producto, por favor contacte el
"Centro de Servicio al Consumidor de Haier" al
1-877-337-3639 (Válido solo en E.U.A).

NECESITA UNA PRUEBA DE COMPRA FECHADA, NÚMERO DE MODELO
Y DE SERIE PARA EL SERVICIO DE LA GARANTÍA

Made in China
Fabriqué en Chine
Hecho en China

Haier

Haier America
Wayne, NJ 07470

HCH2400ACB
HCH3400ACB
Issued: November 2015

Printed in China

Part # 0570000769 REV A