

Haier

Installation Instructions
Instructions d'installation
Instrucciones de instalación
HMV1472BHS

Microwave Oven

Four à micro-ondes

Horno de microondas



TABLE OF CONTENTS

MICROWAVE SAFETY	2
INSTALLATION REQUIREMENTS	3
Tools and Parts	3
Location Requirements	4
Electrical Requirements	5
INSTALLATION INSTRUCTIONS	6
Step 1 - Unpack Microwave Oven	6
Step 2 - Locate Wall Studs	7
Step 3 - Align Rear Wall Template and Mark Wall	7
Step 4 - Drill Holes for Mounting Microwave Oven	9
Step 5 - Determine Ventilation Method	10
Step 6 - Install Microwave Oven	11
Step 7 - Complete Installation	25

MICROWAVE SAFETY

Your safety and the safety of others are very important.

We have provided many important safety messages in this manual and on your appliance. Always read and obey all safety messages.



This is the safety alert symbol.

This symbol alerts you to potential hazards that can kill or hurt you and others. All safety messages will follow the safety alert symbol and either the word "DANGER," "WARNING" or "CAUTION."

These words mean:

⚠ DANGER

An imminently hazardous situation. You could be killed or seriously injured if you don't immediately follow instructions.

⚠ WARNING

A potentially hazardous situation which, if not avoided, could result in death or serious bodily injury.

⚠ CAUTION

A potentially hazardous situation which, if not avoided, may result in moderate or minor injury.

All safety messages will tell you what the potential hazard is, tell you how to reduce the chance of injury, and tell you what can happen if the instructions are not followed.

IMPORTANT SAFETY INSTRUCTIONS

IMPORTANT: To reduce the risk of fire, electrical shock, injury to persons, or damage when using the microwave oven, follow basic precautions, including the following:

- Read all of the instructions before using this appliance.
- This appliance must be properly installed and located in accordance with the installation instructions before it is used.
- The microwave oven must be properly grounded. Connect only to properly grounded outlet. See "GROUNDING INSTRUCTIONS" found in this installation guide.
- Consult a qualified electrician or serviceman if the grounding instructions are not completely understood, or if doubt exists as to whether the microwave oven is properly grounded.
- Do not remove ground prong.
- Do not use an adapter.
- Do not use an extension cord.

IMPORTANT SAFETY INSTRUCTIONS

- Disconnect electrical power at the fuse box or circuit breaker box before installing.
- The mounting surface must be capable of supporting the cabinet load, in addition to the added weight of this 63–85 pound (28.5–38.5 kg) product, plus additional oven loads of up to 50 pounds (22.7 kg) or a total weight of 113–135 pounds (51.3–61.2 kg).
- This product cannot be installed in cabinet arrangements such as an island or a peninsula. It must be mounted to BOTH a top cabinet AND a wall.
- Use two or more people to move and install microwave oven.

READ AND SAVE THESE INSTRUCTIONS

INSTALLATION REQUIREMENTS

TOOLS AND PARTS

Gather the required tools and parts before starting installation. Read and follow the instructions provided with any tools listed here.

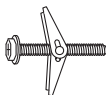
TOOLS NEEDED

- Phillips Screwdriver
- Pencil
- Tape Measure or Ruler
- Carpenter's Square
- Tin Snips (for cutting damper, if required)
- Scissors
- Cordless Electric Drill
- $\frac{3}{16}$ ", $\frac{1}{2}$ " and $\frac{5}{8}$ " Drill Bits
- Reciprocating Saw, Hole Saw or Keyhole Saw
- Stud Finder
- Hammer
- Carpenter's Level
- Duct Tape
- Masking Tape
- Safety Gloves and Goggles

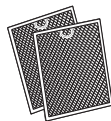
PARTS SUPPLIED



Wood Screws ($\frac{1}{4}$ " x 2")



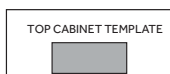
Toggle Bolts and wing nuts ($\frac{3}{16}$ " x 3")



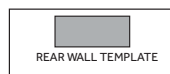
Grease Filters (packed separately)



Nylon Grommet (for metal cabinets)



Top Cabinet Template



Rear Wall Template



Glass Tray

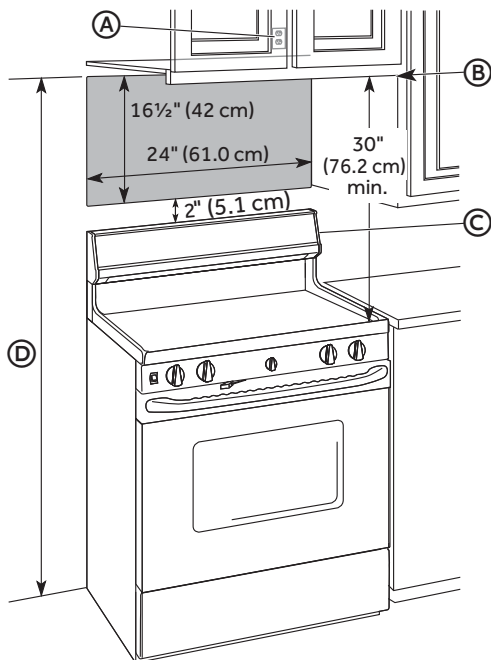


Turntable Ring

PARTS NEEDED

- M6-1.00 Self-aligning Machine Screw (2) - of the length needed to go through the cabinet bottom, filler block (if needed for recessed bottom cabinets), and into the top of the microwave.

LOCATION REQUIREMENTS



- (A) Grounded 3 Prong Outlet
- (B) Bottom edge of cabinet needs to be 30" (76.2 cm) or more from the cooking surface.
- (C) Backsplash
- (D) 66" (167.6 cm) or more from the floor to the top of the microwave

- The space between the cabinets on each side of the range must be at least 24" (61 cm) wide and free of obstructions.
- Grounded electrical outlet inside overhead cabinet. See "Electrical Requirements" section.
- If you are going to vent the microwave oven to the outside, see "Install Microwave Oven" for exhaust and duct preparation.
- When installing the microwave oven beneath smooth, flat cabinets, follow the instructions on the Top Cabinet template for power cord clearance.

ELECTRICAL REQUIREMENTS

! WARNING



Electrical Shock Hazard

Plug into a grounded 3 prong outlet.

Do not remove the ground prong from the power cord plug.

Do not use an adapter.

Do not use an extension cord.

Failure to do so can result in death, fire or electrical shock.

Observe all governing codes and ordinances.

Product rating is 120 volts AC, 60 Hertz and 1500 watts. This product must be connected to a supply circuit of the proper voltage and frequency.

The power supply cord and plug should be brought to a separate 15 to 20 ampere branch circuit single grounded outlet.

The outlet box should be located in the cabinet above the microwave oven.

The outlet box and supply circuit should be installed by a qualified electrician and conform to the National Electrical Code or the prevailing local code.

GROUNDING INSTRUCTIONS

For a grounded, cord-connected microwave:

The microwave oven must be grounded. In the event of an electrical short circuit, grounding reduces the risk of electric shock by providing an escape wire for the electric current. The microwave oven is equipped with a cord having a grounding wire with a grounding plug. The plug must be plugged into an outlet that is properly installed and grounded.

WARNING: Improper use of the grounding plug can result in a risk of electric shock. Consult a qualified electrician or serviceman if the grounding instructions are not completely understood, or if doubt exists as to whether the microwave oven is properly grounded.

Do not use an extension cord. If the power supply cord is too short, have a qualified electrician or serviceman install an outlet near the microwave oven.

READ AND SAVE THESE INSTRUCTIONS

INSTALLATION INSTRUCTIONS

⚠ WARNING



Electrical Shock Hazard

Disconnect electrical power at the fuse box or circuit breaker box before installing microwave.

Failure to do so can result in death or electrical shock.

STEP 1 - UNPACK MICROWAVE OVEN

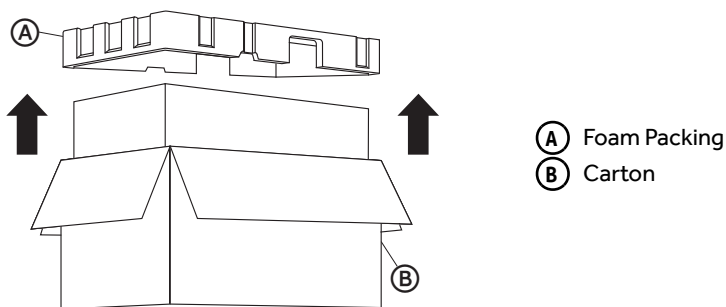
⚠ WARNING

Excessive Weight Hazard

Use two or more people to move and install microwave oven.

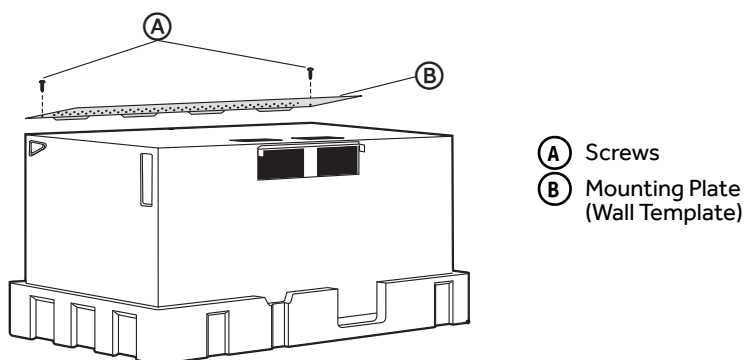
Failure to do so can result in back or other injury.

- Using two or more people move the microwave close to the installation site.
- Open the four flaps on the carton top. From the top of the microwave, remove the foam packing that contains the turntable and turntable ring.
NOTE: Do not remove the foam packing from the front of the oven.
- Open the top of the plastic bag. Using two people, lift the microwave out of the carton and gently set it front down on the foam packing. Remove the grease filters and User Manual from the carton.



- Locate and remove the two screws attaching the mounting plate to the back of the oven, and then remove the mounting plate.

NOTE: The mounting plate will be used as the wall template and to mount the microwave oven onto the wall.



5. Replace the two screws into the holes from which they were removed.

STEP 2 - LOCATE WALL STUDS

IMPORTANT: The microwave must be installed to at least one wall stud, preferably two wall studs. If there is no wall stud within the cabinet opening, do not install the microwave oven.

1. Find the studs using one of the following methods:

Stud finder – a magnetic device that locates nails.

OR

Using a hammer, tap lightly across the mounting surface while listening for a solid sound. A solid sound indicates a stud location.

2. After locating the stud(s), find the center by probing the wall with a small nail to find the edges of the stud. Then place a mark halfway between the edges. The center of any adjacent studs should be 16" (40.6 cm) or 24" (61 cm) from this mark.
3. Mark the center of the adjacent stud, and then draw a vertical plumb line down the center of each stud.

STEP 3 - ALIGN REAR WALL TEMPLATE AND MARK WALL

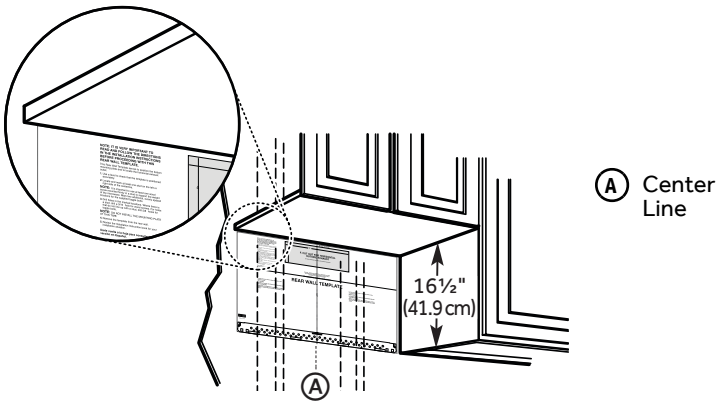
Overhead cabinet styles vary. Follow the instructions that apply to the cabinet style in your home.

IMPORTANT: Disconnect power to electrical outlet.

STYLE 1 - FLAT-BOTTOM CABINET

IMPORTANT: The microwave must be level. Use a carpenter's level to make sure the cabinet bottom is level.

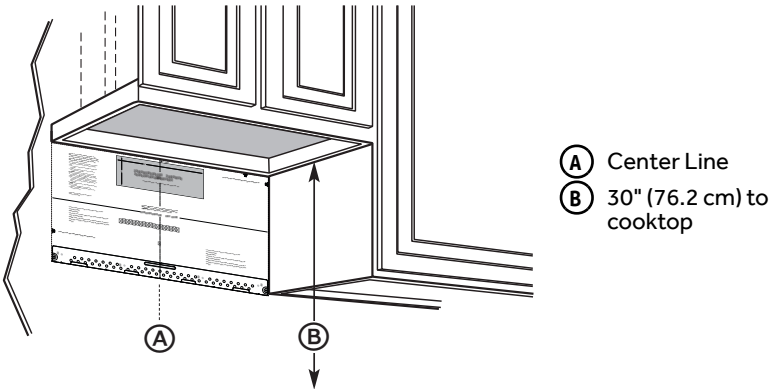
1. Draw a vertical line on the wall at the center of the 24" (61 cm) wide opening.
2. Place the Mounting Plate/Rear Wall Template onto the wall so that the centerline of the template is aligned with the center line, and the top of the template is touching the bottom of the cabinet. Tape the template in this position.



STYLE 2 - FRAMED, RECESSED CABINET

IMPORTANT: The microwave must be level. Use a carpenter's level to make sure the cabinet bottom is level.

1. Draw a vertical line on the wall at the center of the 24" (61 cm) wide opening.
2. Place the Mounting Plate/Rear Wall Template onto the wall so that the centerline of the template is aligned with the center line, and the top of the template is touching the bottom of the cabinet. Tape the template in this position.

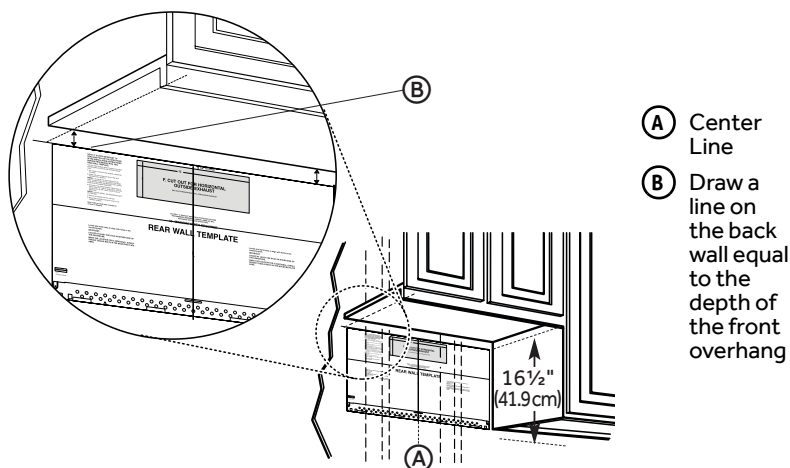


STYLE 3 - RECESSED CABINET WITH FRONT OVERHANG OR DECORATIVE TRIM

IMPORTANT:

- The microwave must be level. Use a carpenter's level to make sure the cabinet bottom is level.
- If a decorative cabinet trim is interfering with the installation and leveling of the microwave oven, remove the decorative trim.
- If the cabinets have a front overhang, but no back or side overhang, to keep the microwave level, place the mounting plate so that the distance from the top of the mounting plate to the cabinet bottom is equal to the distance from the bottom of the front overhang to the bottom of the cabinet.

1. Measure the inside depth of the front overhang.
2. Draw a horizontal line on the back wall that is the same distance below the cabinet bottom as the depth of the front overhang.



3. Draw a vertical line on the wall at the center of the 24" (61 cm) wide opening.
4. Place the Mounting Plate/Rear Wall Template onto the wall so that the centerline of the template is aligned with the center line, and the top of the template is the same distance below the cabinet bottom as the depth of the front overhang. Tape the template in this position.

STEP 4 - DRILL HOLES FOR MOUNTING MICROWAVE OVEN

IMPORTANT: At LEAST one wood screw mounted firmly in a stud must be used to support the weight of the microwave.

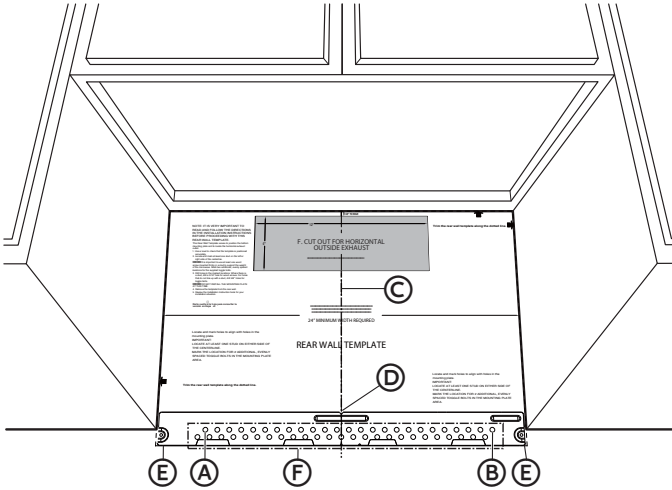
1. Draw a horizontal line on the wall marking the bottom of the Rear Wall Template.
2. Locate holes A and B inside the Mounting Plate Area indicated on the rear wall template.
3. Place the mounting plate on top of the rear wall template centered in the Mounting Plate Area so that the holes on the mounting plate align with the holes on the template.
4. Mark the wall through holes A and B.

IMPORTANT: If neither Hole A nor Hole B aligns with a stud, locate a stud within the mounting plate area and mark a third hole that aligns with the stud.

5. Remove the mounting plate and set it aside. Drill holes in the marked locations.

NOTE: A wood screw must be used when installing into a wood stud.

- Drill a $\frac{5}{8}$ " hole to use a toggle bolt
 - Drill a $\frac{3}{16}$ " hole to use a wood screw.
6. DO NOT INSTALL THE MOUNTING PLATE AT THIS TIME.

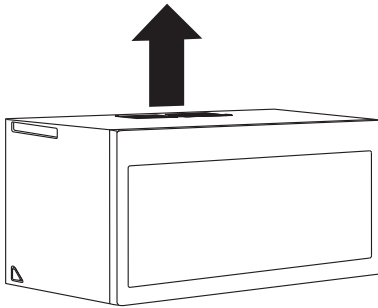


- (A) Hole A
- (B) Hole B
- (C) Draw a Vertical Line on Wall marking Center of Top Cabinet
- (D) Centerline notches
- (E) Draw a horizontal line on wall marking the bottom of Rear Wall Template.
- (F) Mounting Plate Area

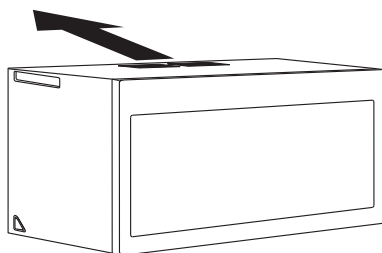
STEP 5 - DETERMINE VENTILATION METHOD

IMPORTANT: This microwave oven is shipped assembled for a Recirculating Ventilation Installation; however, it is designed to adapt to the following methods of ventilation. Select the ventilation method required for your installation and follow the instructions specific to your method:

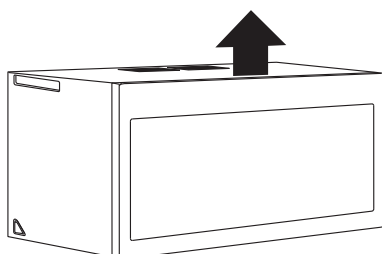
Method A - Outside Top Exhaust (Vertical Duct)



Method B - Outside Back Exhaust (Horizontal Duct)



Method C - Recirculating (Non-Vented, Ductless)



STEP 6 - INSTALL MICROWAVE OVEN

Install the microwave oven following the instructions specific to your method of ventilation: **Method A** - Outside Top Exhaust, **Method B** - Outside Back Exhaust, **Method C** - Non-Vented (Recirculating)

METHOD A - OUTSIDE TOP EXHAUST

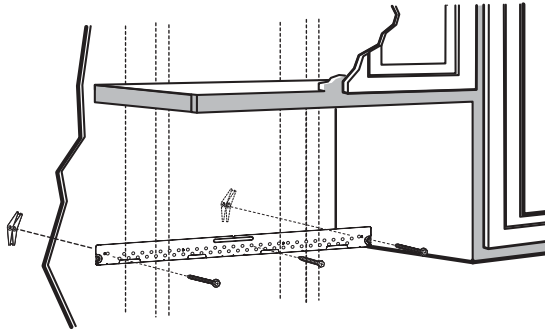
IMPORTANT:

- Make sure the screws for the blower motor and blower plate are securely tightened when they are reinstalled. This will help avoid excessive vibration.
- Make sure the motor wiring has been properly routed and secured, and that the wires are not pinched.

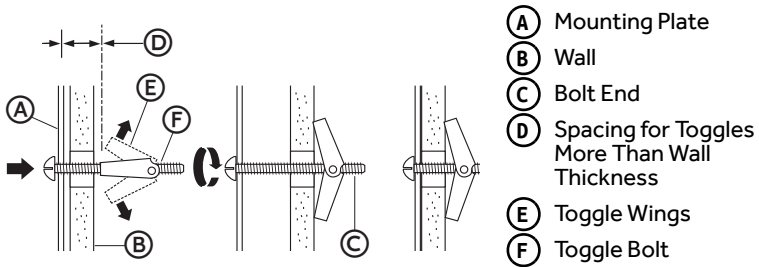
INSTALL MOUNTING PLATE

NOTE: At least one wood screw must be used to attach the plate to a wall stud.

1. Remove the toggle wings from the bolts.
2. Insert the bolts into the mounting plate through the holes designated to go into drywall and reattach the toggle wings onto each bolt.



- Place the mounting plate against the wall and insert the toggle wings into the holes in the wall to mount the plate.



- Press the mounting plate flush against the wall. Make sure the mounting plate touches the bottom of the horizontal line and that the plate is centered under the cabinet.

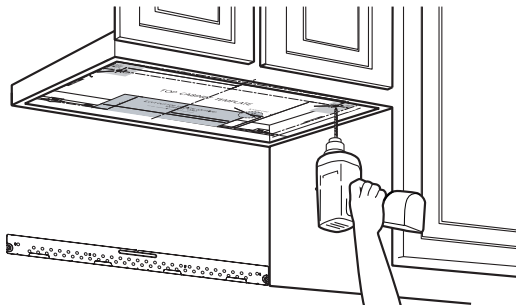
NOTE: Avoid pinching fingers between the back of the mounting plate and the wall.

- Tighten all bolts.

NOTE: Pull the plate away from the wall to help tighten the bolts.

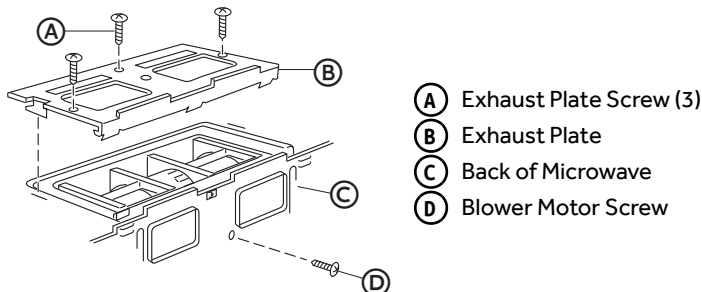
PREPARE OVERHEAD CABINET

- Read the instructions on the Top Cabinet template, and then tape the template underneath the overhead cabinet.
- Drill the holes following the instructions on the template.
 - Drill holes for the top support screws.
 - Drill a hole large enough for the power cord to fit through.
 - Drill a cutout large enough for the exhaust adapter.

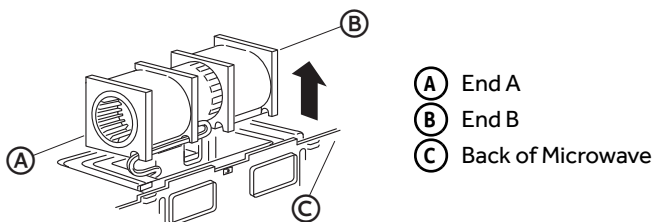


ADAPT BLOWER FOR OUTSIDE TOP EXHAUST

1. Place the microwave in an upright position.
2. Remove and save the three screws fastening the exhaust plate to the microwave.
3. Remove and save the screw fastening the blower motor to the microwave.



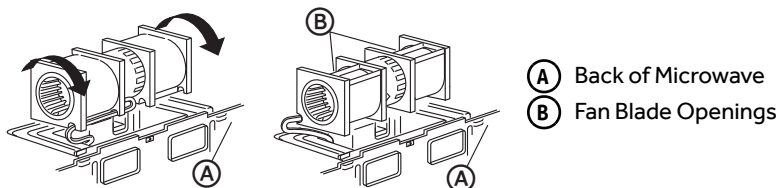
4. Carefully pull out the blower unit. The wires will extend far enough to allow you to adjust the blower unit.



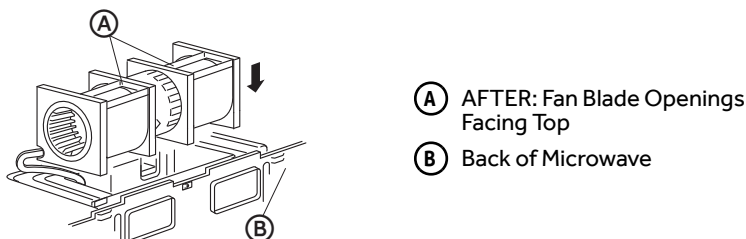
5. Roll the blower unit 90° so that fan blade openings are facing out the top of the microwave.

Before Rotation

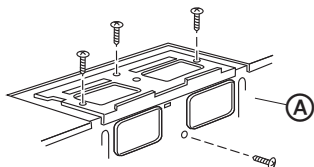
After Rotation



6. Place the blower unit back into the microwave.
7. Using the blower motor screw removed earlier, secure blower unit to microwave. Completely tighten the screw.



8. Using the three blower plate screws removed earlier, reinstall the blower plate. Completely tighten the screws.



(A) Back of Microwave

MOUNT THE MICROWAVE OVEN

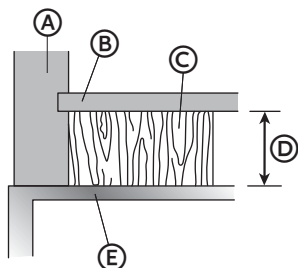
! WARNING

Excessive Weight Hazard

Use two or more people to move and install microwave oven.

Failure to do so can result in back or other injury.

NOTE: If the cabinet front hangs below the bottom cabinet shelf it is recommended that you use filler blocks to avoid damaging the case by over tightening the screws.



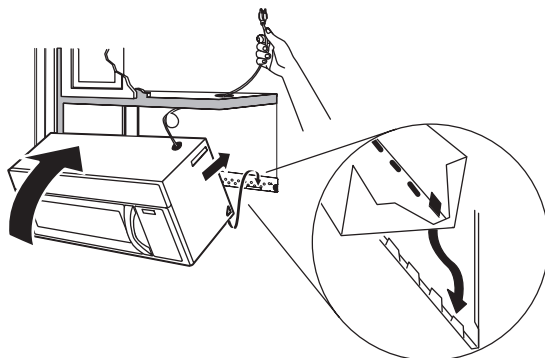
- (A) Cabinet Front
- (B) Cabinet Bottom
- (C) Filler Block
- (D) Equivalent to Depth of Cabinet Recess
- (E) Microwave Oven Top

1. Thread the power cord through the hole in the bottom of the overhead cabinet. Keep the power cord tight while mounting the oven.

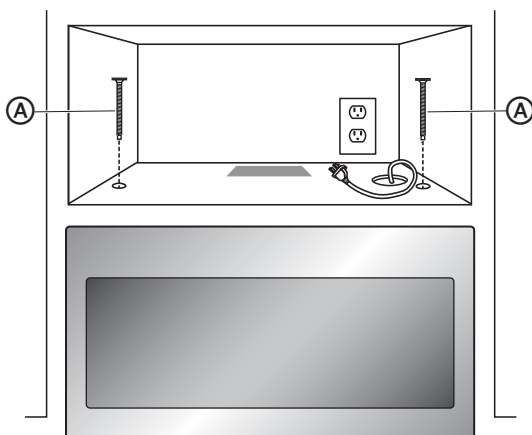
NOTE: If the overhead cabinet is metal, use the nylon grommet around the power cord hole to avoid cutting the power cord.

2. Using two or more people, lift the microwave, tilt it forward, and hook slots at back bottom edge onto four lower tabs of mounting plate.
3. Rotate microwave so that the top is up against cabinet bottom.

NOTE: Keep the power cord tight, and do not pinch the cord, especially when mounting flush to bottom of cabinet.



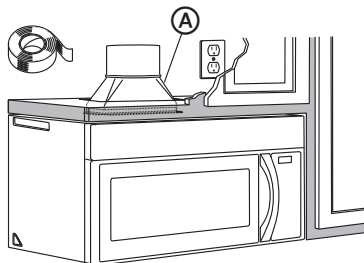
4. Insert the two mounting screws through the holes in the overhead cabinet and into the holes in the top of the microwave oven. Turn each screw until it is completely tightened.



5. Holding the microwave oven flush against the back wall and the overhead cabinet, tighten the two screws completely.

CONNECT DUCTWORK

1. Extend the house exhaust duct down, and then connect the exhaust duct to a range hood boot adapter (not supplied).
2. Seal exhaust duct joints using furnace duct tape for high temperature applications.



(A) Adapter

INSTALL GREASE FILTERS

Grease filters are located on the underside of microwave oven. For installation instructions, see the User Manual packed with the microwave.

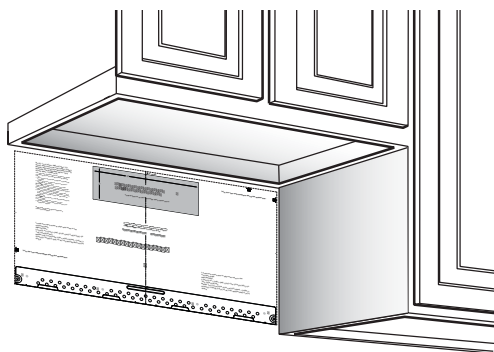


METHOD B - OUTSIDE BACK EXHAUST (HORIZONTAL DUCT)

IMPORTANT:

- Make sure the screws for the blower motor and blower plate are securely tightened when they are reinstalled. This will help avoid excessive vibration.
- Make sure the motor wiring has been properly routed and secured, and that the wires are not pinched.

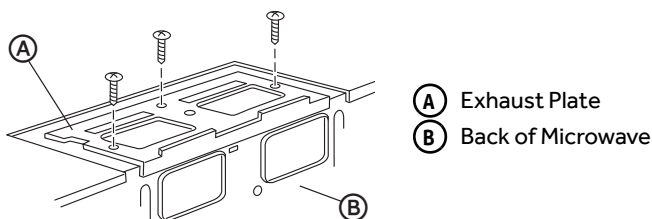
CREATE REAR WALL EXHAUST OPENING



1. Read the instructions on the Mounting Plate/Rear Wall template.
2. Tape the Mounting Plate/Template to the rear wall, aligning it with the holes previously drilled for holes A and B in the mounting plate.
3. Cut the opening, following the instructions on the Rear Wall template.

REMOVE THE BLOWER PLATE

1. Remove and save the screw(s) fastening the blower plate to the microwave.
2. Lift off the blower plate.

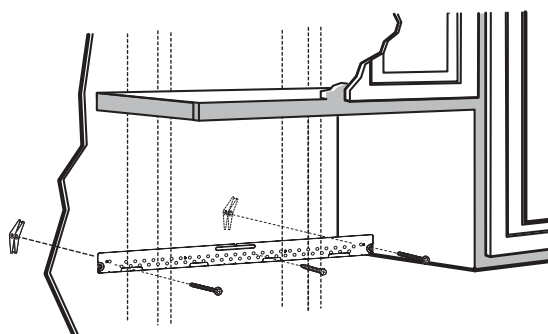


- (A) Exhaust Plate
- (B) Back of Microwave

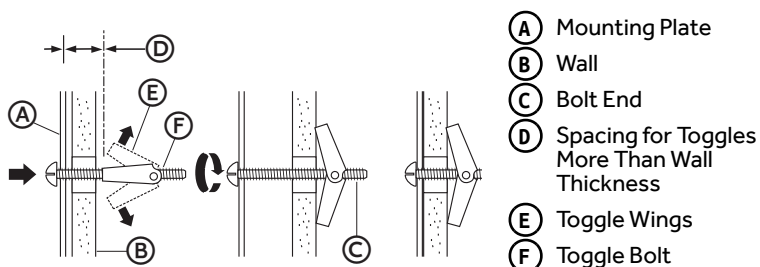
INSTALL MOUNTING PLATE

NOTE: At least one wood screw must be used to attach the plate to a wall stud.

1. Remove the toggle wings from the bolts.
2. Insert the bolts into the mounting plate through the holes designated to go into drywall and reattach the toggle wings onto each bolt.



3. Place the mounting plate against the wall and insert the toggle wings into the holes in the wall to mount the plate.



4. Press the mounting plate flush against the wall. Make sure the mounting plate touches the bottom of the horizontal line and that the plate is centered under the cabinet.

NOTE: Avoid pinching fingers between the back of the mounting plate and the wall.

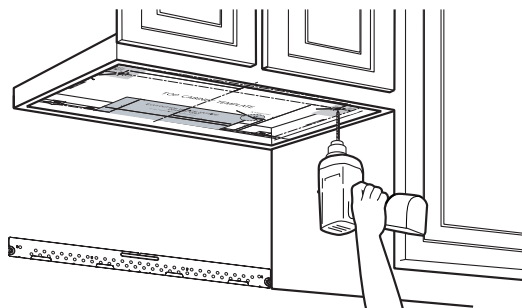
5. Tighten all bolts.

NOTE: Pull the plate away from the wall to help tighten the bolts.

PREPARE OVERHEAD CABINET

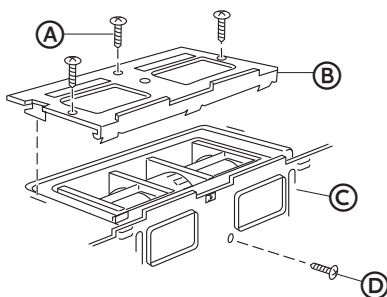
1. Read the instructions on the Top Cabinet template, and then tape the template underneath the overhead cabinet.
2. Drill the holes following the instructions on the template.

- Drill holes for the top support screws.
- Drill a hole large enough for the power cord to fit through.
- Drill a cutout large enough for the exhaust adapter.



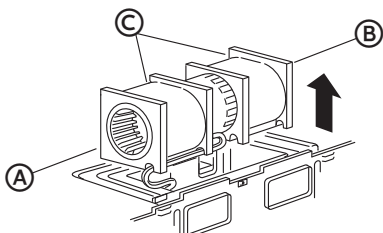
ADAPT BLOWER FOR OUTSIDE REAR EXHAUST

1. Remove and save the screw fastening the blower motor to the microwave.



- (A) Exhaust Plate Screw (3)
- (B) Exhaust Plate
- (C) Back of Microwave
- (D) Blower Motor Screw

2. Carefully pull out the blower unit. The wires will extend far enough to allow you to adjust the blower unit.

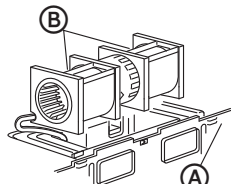
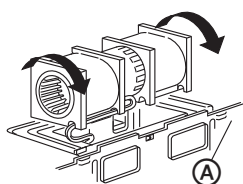


- (A) End A
- (B) End B
- (C) Before: Fan Blade Openings Facing Forward

3. Roll the blower unit 90°.

Before Rotation

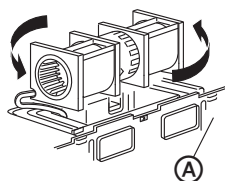
After Rotation



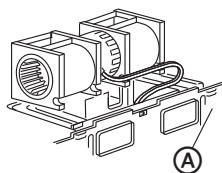
- (A) Back of Microwave
- (B) Fan Blade Openings

4. Rotate blower unit counterclockwise 180°.

Before Rotation



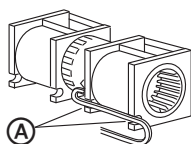
After Rotation



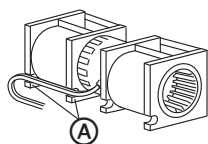
A Back of Microwave

5. Gently remove the wires from the grooves. Reroute the wires through grooves on other side of the blower unit.

Before Rerouting



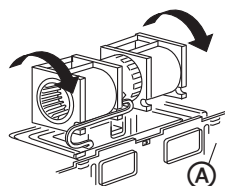
After Rerouting



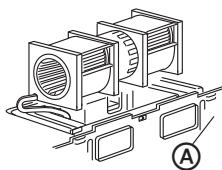
A Grooves

6. Roll the blower unit 90° so that fan blade openings are facing out the back of the microwave.

Before Rolling

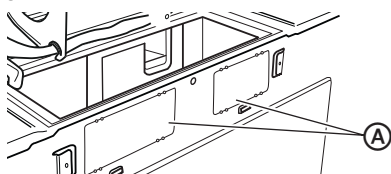


After Rolling



A Back of Microwave

7. Using tin snips, remove the knockout plates in the back of the unit.

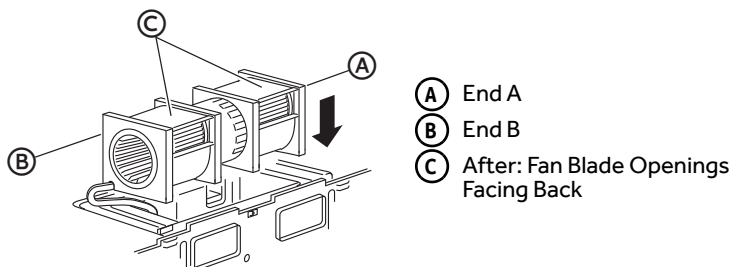


A Knockout Plates

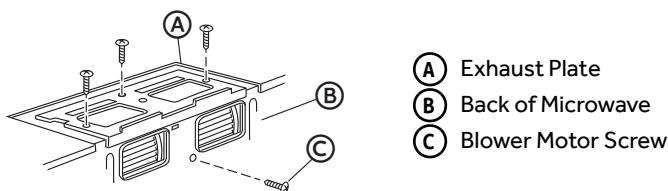
8. Place the blower unit back into the microwave.

IMPORTANT:

- Make sure the wires are not pinched and that they are properly secured.
- The blower unit exhaust openings should match exhaust openings on the rear of the microwave oven.



- Using the blower motor screw removed earlier, secure blower unit to microwave. Completely tighten the screw.
- Using the three blower plate screws removed earlier, reinstall the blower plate. Completely tighten the screws.



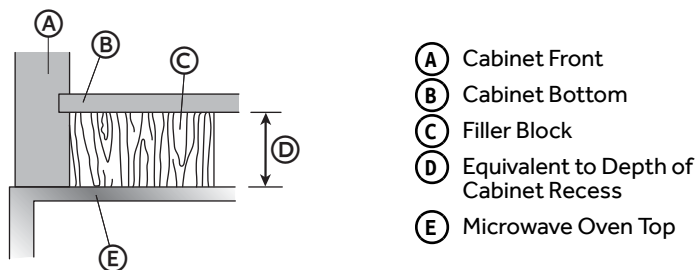
MOUNT THE MICROWAVE OVEN

⚠ WARNING

Excessive Weight Hazard

Use two or more people to move and install microwave oven.
Failure to do so can result in back or other injury.

NOTE: If the cabinet front hangs below the bottom cabinet shelf it is recommended that you use filler blocks to avoid damaging the case by over tightening the screws.



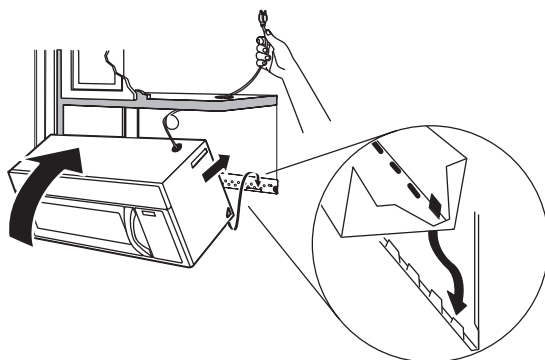
- Thread the power cord through the hole in the bottom of the overhead cabinet. Keep the power cord tight while mounting the oven.

NOTE: If the overhead cabinet is metal, use the nylon grommet around the power cord hole to avoid cutting the power cord.

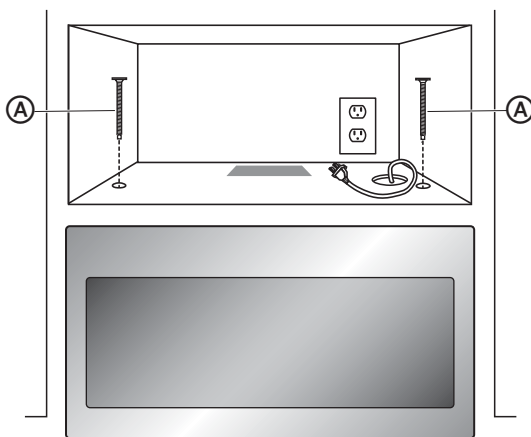
- Using two or more people, lift the microwave, tilt it forward, and hook slots at back bottom edge onto four lower tabs of mounting plate.

3. Rotate microwave so that the top is up against cabinet bottom.

NOTE: Keep the power cord tight, and do not pinch the cord, especially when mounting flush to bottom of cabinet.



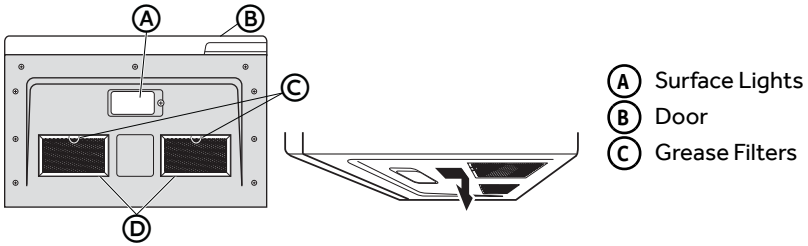
4. Insert the two mounting screws through the holes in the overhead cabinet and into the holes in the top of the microwave oven. Turn each screw until it is completely tightened.



5. Holding the microwave oven flush against the back wall and the overhead cabinet, tighten the two screws completely.

INSTALL GREASE FILTERS

Grease filters are located on the underside of microwave oven. For installation instructions, see the User Manual packed with the microwave.



- (A) Surface Lights
- (B) Door
- (C) Grease Filters

METHOD C - RECIRCULATING (NON-VENTED, DUCTLESS)

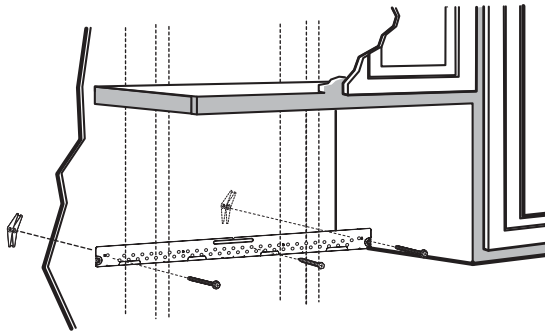
IMPORTANT:

- Make sure the screws for the blower motor and blower plate are securely tightened when they are reinstalled. This will help avoid excessive vibration.
- Make sure the motor wiring has been properly routed and secured, and that the wires are not pinched.

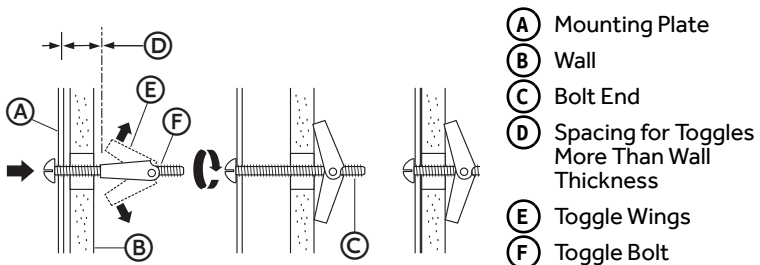
INSTALL MOUNTING PLATE

NOTE: At least one wood screw must be used to attach the plate to a wall stud.

1. Remove the toggle wings from the bolts.
2. Insert the bolts into the mounting plate through the holes designated to go into drywall and reattach the toggle wings onto each bolt.



3. Place the mounting plate against the wall and insert the toggle wings into the holes in the wall to mount the plate.



4. Press the mounting plate flush against the wall. Make sure the mounting plate touches the bottom of the horizontal line and that the plate is centered under the cabinet.

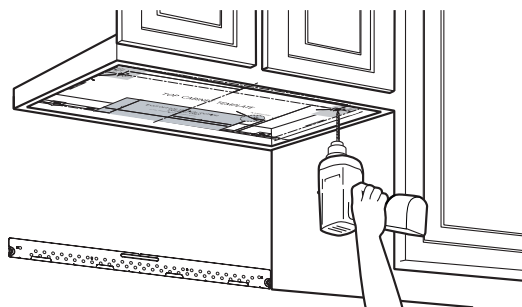
NOTE: Avoid pinching fingers between the back of the mounting plate and the wall.

5. Tighten all bolts.

NOTE: Pull the plate away from the wall to help tighten the bolts.

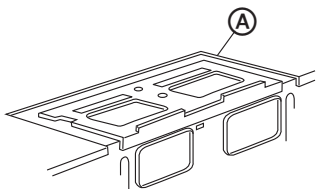
PREPARE OVERHEAD CABINET

1. Read the instructions on the Top Cabinet template, and then tape the template underneath the overhead cabinet.
2. Drill the holes following the instructions on the template.
 - Drill holes for the top support screws.
 - Drill a hole large enough for the power cord to fit through.
 - Drill a cutout large enough for the exhaust adapter.



CHECK THE BLOWER PLATE

1. Place the microwave in an upright position.
2. Make sure the blower plate is installed correctly on the microwave oven.



A Exhaust Plate

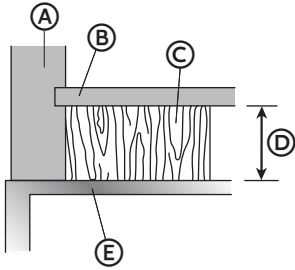
MOUNT THE MICROWAVE OVEN

⚠ WARNING

Excessive Weight Hazard

Use two or more people to move and install microwave oven.
Failure to do so can result in back or other injury.

NOTE: If the cabinet front hangs below the bottom cabinet shelf it is recommended that you use filler blocks to avoid damaging the case by over tightening the screws.



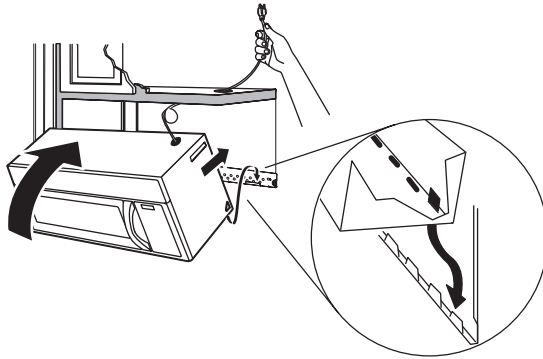
- (A) Cabinet Front
- (B) Cabinet Bottom
- (C) Filler Block
- (D) Equivalent to Depth of Cabinet Recess
- (E) Microwave Oven Top

1. Thread the power cord through the hole in the bottom of the overhead cabinet. Keep the power cord tight while mounting the oven.

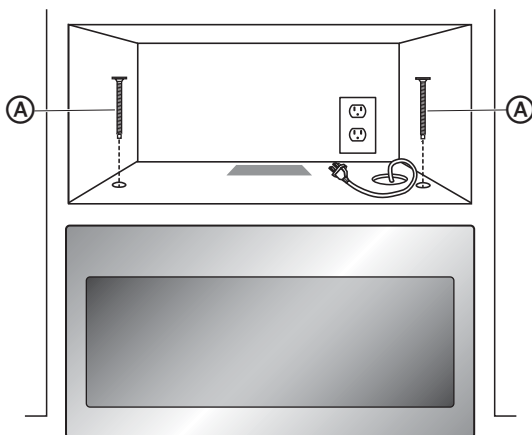
NOTE: If the overhead cabinet is metal, use the nylon grommet around the power cord hole to avoid cutting the power cord.

2. Using two or more people, lift the microwave, tilt it forward, and hook slots at back bottom edge onto four lower tabs of mounting plate.
3. Rotate microwave so that the top is up against cabinet bottom.

NOTE: Keep the power cord tight, and do not pinch the cord, especially when mounting flush to bottom of cabinet.



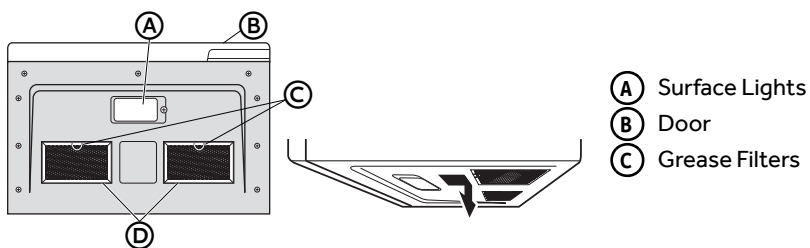
4. Insert the two mounting screws through the holes in the overhead cabinet and into the holes in the top of the microwave oven. Turn each screw until it is completely tightened.



5. Holding the microwave oven flush against the back wall and the overhead cabinet, tighten the two screws completely.

INSTALL GREASE FILTERS

Grease filters are located on the underside of microwave oven. For installation instructions, see the User Manual packed with the microwave.



STEP 7 - COMPLETE INSTALLATION

⚠ WARNING



Electrical Shock Hazard

- Plug into a grounded 3 prong outlet.
- Do not remove the ground prong from the power cord plug.
- Do not use an adapter.
- Do not use an extension cord.
- Failure to do so can result in death, fire or electrical shock.

1. Plug into a grounded 3 prong outlet.
2. Reconnect power.
3. Check the operation of microwave oven by placing 1 cup (250 mL) of water on the turntable, and programming a cook time of 1 minute at 100% power. Test vent fan and exhaust by operating the vent fan.
4. If the microwave oven does not operate:
 - Check that a household fuse has not blown, or that a circuit breaker has not tripped. Replace the fuse or reset the circuit breaker. If the problem continues, call an electrician.
 - Check that the power supply cord is plugged into a grounded 3 prong outlet.
 - See the User Manual for troubleshooting information.
5. Installation is now complete.

TABLE DES MATIÈRES

SÉCURITÉ DE FOUR À MICRO-ONDES	28
EXIGENCES D'INSTALLATION	29
Outils et pièces	29
Exigences d'emplacement	31
Spécifications électriques	32
INSTRUCTIONS D'INSTALLATION	33
Étape 1 - Déballage de le four à micro-ondes	34
Étape 2 - Identification des poteaux du colombage mural	35
Étape 3 - Aligner le gabarit du mur arrière et marquer le mur	35
Étape 4 - Percer les trous pour monter le four à micro-ondes	37
Étape 5 - Déterminer la méthode de ventilation	38
Étape 6 - Installation du four à micro-ondes	39
Étape 7 - Fin de l'installation	54

SÉCURITÉ DE FOUR À MICRO-ONDES

Votre sécurité et celle des autres est très importante.

Nous donnons de nombreux messages de sécurité importants dans ce manuel et sur votre appareil ménager. Assurez-vous de toujours lire tous les messages de sécurité et de vous y conformer.



Voici le symbole d'alerte de sécurité.

Ce symbole d'alerte de sécurité vous signale les dangers potentiels de décès et de blessures graves à vous et à d'autres. Tous les messages de sécurité suivront le symbole d'alerte de sécurité et le mot "DANGER", "AVERTISSEMENT" ou "ATTENTION".

Ces mots signifient :



Une situation de danger imminent. Vous courez le risque d'un décès ou de blessures graves si vous ne suivez pas immédiatement les instructions.



Une situation potentiellement dangereuse qui, si vous ne l'évitez pas, peut provoquer la mort ou des blessures graves.



Une situation potentiellement dangereuse qui, si vous ne l'évitez pas, peut entraîner des blessures légères à modérées.

Tous les messages de sécurité vous diront quel est le danger potentiel et comment réduire le risque de blessure et ce qui peut se produire en cas de non-respect des instructions.

IMPORTANTES INSTRUCTIONS DE SÉCURITÉ

IMPORTANT : Afin de réduire le risque d'incendie, de choc électrique, de blessures corporelles ou de dommage lors de l'utilisation du four à micro-ondes, il convient d'observer certaines précautions fondamentales, notamment :

- Lire toutes les instructions avant d'utiliser cet appareil.
- Avant d'être utilisé, cet appareil doit être correctement installé et placé dans la pièce, conformément aux instructions d'installation.
- Le four à micro-ondes doit être relié à la terre. Brancher sur une prise correctement reliée à la terre uniquement. Consulter les "INSTRUCTIONS DE MISE À LA TERRE" de la section "Spécifications électriques" et dans les instructions d'installation fournies.

IMPORTANTES INSTRUCTIONS DE SÉCURITÉ

- L'utilisateur qui ne comprend pas bien les instructions de liaison à la terre, ou qui n'est pas certain que le four à micro-ondes soit convenablement relié à la terre, devrait consulter un électricien ou un technicien qualifié.
- Ne pas enlever la prise de liaison à la terre.
- Ne pas utiliser d'adaptateur.
- Ne pas utiliser de rallonge.
- Interrompre l'alimentation électrique avant d'installer le micro-ondes (au niveau du tableau de distribution - fusible ou disjoncteur).
- La surface de montage doit pouvoir supporter la charge du placard, à laquelle s'ajoute le poids de ce produit de 63 à 85 livres (28,5 à 38,5 kg), plus les charges supplémentaires du four allant jusqu'à 50 livres (22,7 kg) ou un poids total de 113 à 135 livres (51,3 à 61,2 kg).
- Ce produit ne peut être installé dans un placard configuré en îlot ou en presque-île. Il doit être monté sur un placard supérieur ET un mur.
- Avec l'aide d'au moins deux personnes, déplacer et installer le four à micro-ondes.

LIRE ET CONSERVER CES INSTRUCTIONS

EXIGENCES D'INSTALLATION

OUTILS ET PIÈCES

Rassembler les outils et pièces nécessaires avant d'entreprendre l'installation. Lisez et suivez les instructions fournies avec les outils indiqués ici.

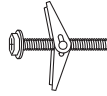
OUTILS NÉCESSAIRES

- Tournevis Phillips
- Crayon
- Mètre-ruban ou règle
- Équerre de charpentier
- Cisailles de ferblantier (pour découper le clapet si besoin)
- Ciseaux
- Perceuse électrique sans fil
- Forets de $\frac{3}{16}$ ", $\frac{1}{2}$ " et $\frac{5}{8}$ "
- Scie sauteuse, scie-cloche ou scie à guichet
- Détecteur de clous
- Marteau
- Niveau
- Ruban adhésif
- Ruban adhésif de masquage
- Gants et lunettes de protection

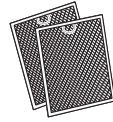
PIÈCES FOURNIES



Vis à bois (1/4" x 2")



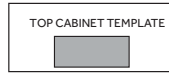
Boulons à ailettes et écrous à oreilles (3/16" x 3")



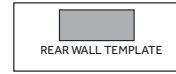
Filtres à graisse (emballés à l'unité)



Œillet en nylon (pour les placards métalliques)



Gabarit du placard supérieur



Gabarit du mur arrière



Plateau en verre

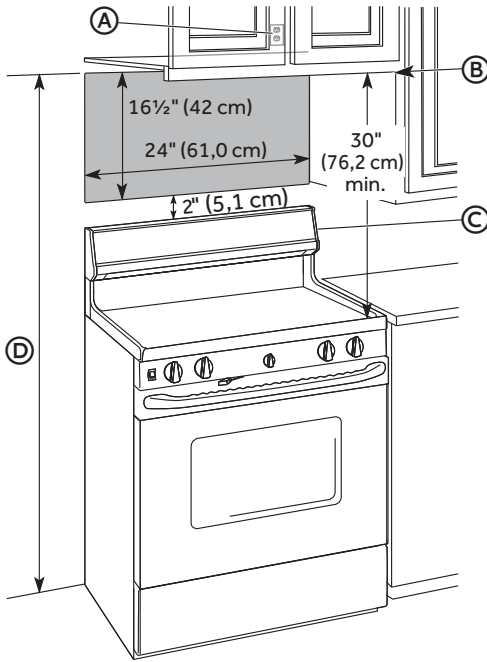


Anneau de support du plateau tournant

PIÈCES NÉCESSAIRES

- Vis à métaux auto-centreuses (2) M6-1.00 - de la longueur nécessaire pour traverser le bas du placard, la cale (si nécessaire pour les placards au bas encastré), jusque dans la partie supérieure du four à micro-ondes.

EXIGENCES D'EMPLACEMENT



- (A)** Prise à 3 alvéoles reliée à la terre
- (B)** Le bord inférieur du placard doit se trouver à 30" (76,2 cm) ou plus de la surface de cuisson.
- (C)** Panneau anti-éclaboussure
- (D)** 66" (167,6 cm) ou plus depuis le plancher jusqu'au sommet du four à micro-ondes

- La largeur de l'espace entre les placards doit être de 24" (61 cm) et bien dégagée.
- Prise de courant électrique reliée à la terre à l'intérieur du placard du haut. Voir la section "Spécifications électriques".
- Dans le cas d'une installation du four à micro-ondes avec évacuation vers l'extérieur, voir la section "Installation du four à micro-ondes" pour la préparation de l'évacuation et des canalisations.
- Dans le cas d'une installation du four à micro-ondes sous des placards plats et lisses, suivre attentivement les instructions sur le gabarit du placard supérieur pour le dégagement nécessaire au cordon d'alimentation.

SPÉCIFICATIONS ÉLECTRIQUES

⚠ AVERTISSEMENT



Risque de choc électrique

Brancher sur une prise à 3 alvéoles reliée à la terre.

Ne pas enlever la broche de liaison à la terre du cordon d'alimentation.

Ne pas utiliser un adaptateur.

Ne pas utiliser un câble de rallonge.

Le non-respect de cette instruction pourrait causer un décès, un incendie ou un choc électrique.

Observer les dispositions de tous les codes et règlements en vigueur.

Caractéristiques nominales du produit : 120 volts CA, 60 Hertz et 1500 watts. Ce produit doit être branché à un circuit d'alimentation électrique de tension et de fréquence adéquates.

Le cordon et la prise d'alimentation électrique doivent être branchés sur un circuit de dérivation distinct de 15 à 20 ampères relié à la terre.

Le boîtier de raccordement électrique doit être situé dans le placard au-dessus du four à micro-ondes.

Le boîtier de raccordement électrique et le circuit d'alimentation doivent être installés par un électricien qualifié et doit satisfaire les exigences de la norme National Electrical Code ou du règlement local applicable.

INSTRUCTIONS DE LIAISON À LA TERRE

Pour un four à micro-ondes reliée à la terre et connectée par un cordon :

Il faut que le four à micro-ondes soit relié à la terre. En cas de court-circuit électrique, la liaison à la terre réduit le risque de choc électrique car le courant électrique dispose d'un itinéraire direct d'acheminement à la terre. Le four à micro-ondes est doté d'un cordon de courant électrique qui comporte un fil de liaison à la terre, avec broche de liaison à la terre. On doit brancher la fiche sur une prise de courant convenablement installée et reliée à la terre.

AVERTISSEMENT : L'utilisation incorrecte du dispositif de liaison à la terre peut susciter un risque de choc électrique. L'utilisateur qui ne comprend pas bien les instructions de liaison à la terre, ou qui n'est pas certain que le four à micro-ondes soit convenablement relié à la terre, devrait consulter un électricien ou un technicien qualifié.

Ne pas utiliser un câble de rallonge. Si le cordon de courant électrique est trop court, demander à un électricien ou un technicien qualifié d'installer une prise de courant à proximité du four à micro-ondes.

LIRE ET CONSERVER CES INSTRUCTIONS

INSTRUCTIONS D'INSTALLATION

⚠ AVERTISSEMENT



Risque de choc électrique

Interrompre l'alimentation électrique avant d'installer le micro-ondes (au niveau du tableau de distribution - fusible ou disjoncteur)

Le non-respect de cette instruction peut causer un décès ou un choc électrique.

ÉTAPE 1 - DÉBALLAGE DE LE FOUR À MICRO-ONDES

⚠ AVERTISSEMENT

Risque du poids excessif

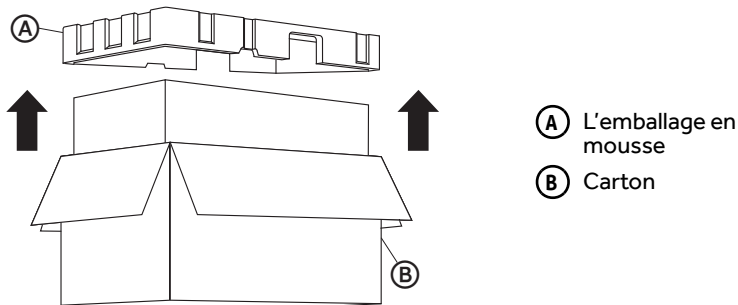
Avec l'aide d'au moins deux personnes, déplacer et installer le four à micro-ondes.

Le non-respect de cette instruction peut causer une blessure au dos ou d'autres blessures.

1. Déplacer le four à micro-ondes à proximité de l'endroit où il va être installé à l'aide d'au moins deux personnes.
2. Ouvrir les quatre rabats de l'emballage du four sur le haut du carton. Retirer l'emballage en mousse contenant le plateau tournant et son anneau, sur le dessus du four à micro-ondes.

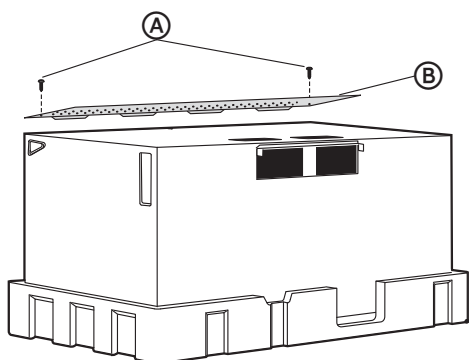
REMARQUE : Ne pas retirer l'emballage en mousse de l'avant du four.

3. Ouvrir le haut du sac en plastique. L'utilisation de deux personnes, soulevez le micro-ondes hors du carton et doucement le régler avant vers le bas sur l'emballage en mousse. Retirer les filtres à graisse et Manuel de l'utilisateur de la boîte.



4. Localiser, puis retirer les deux vis fixant la plaque de montage à l'arrière du four, puis retirer la plaque.

REMARQUE : La plaque de montage sera utilisée en tant que gabarit mural et pour fixer le four à micro-ondes sur le mur.



- (A) Vis
- (B) Plaque de montage (gabarit mural)

5. Réinstaller les vis dans les trous desquels ils ont été retirés.

ÉTAPE 2 - IDENTIFICATION DES POTEAUX DU COLOMBAGE MURAL

IMPORTANT : Le four à micro-ondes doit être installé à au moins un montant de cloison, de préférence à deux montants. En l'absence de montant de cloison dans l'ouverture du placard, ne pas installer le four à micro-ondes.

1. Localiser les poteaux à l'aide de l'une des méthodes suivantes :
 Détecteur de clous : un appareil magnétique détectant les clous.
 OU
 Tapoter la surface de montage avec un marteau jusqu'à entendre un son massif. Un son massif indique l'emplacement d'un poteau.
2. Après avoir localisé le ou les poteau(x), localiser le centre en sondant le mur avec un petit clou pour identifier les bords du poteau. Ensuite, tracer une marque à mi-distance des bords. Le centre de tout poteau adjacent doit être à 16" (40,6 cm) ou 24" (61 cm) de cette marque.
3. Marquer le centre du montant adjacent, puis tracer l'axe central vertical de chaque montant.

ÉTAPE 3 - ALIGNER LE GABARIT DU MUR ARRIÈRE ET MARQUER LE MUR

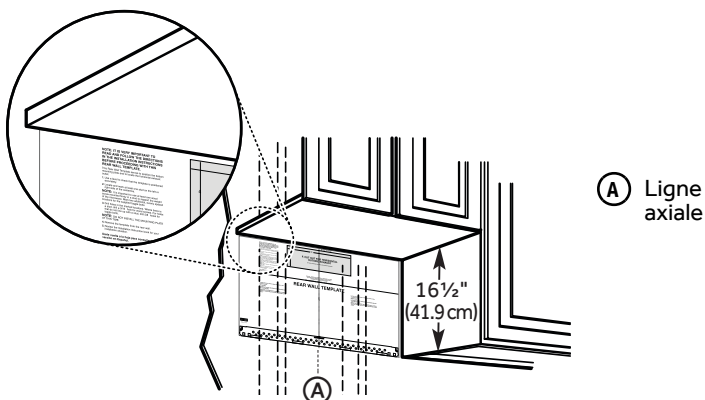
Le style des placards du dessus peuvent varier. Suivre les instructions relatives au style de placards du domicile.

IMPORTANT : Interrompre l'alimentation électrique.

STYLE 1 - SOUS UN PLACARD À FOND PLAT

IMPORTANT : Le four à micro-ondes doit être d'aplomb. Vérifier l'aplomb du fond du placard à l'aide d'un niveau.

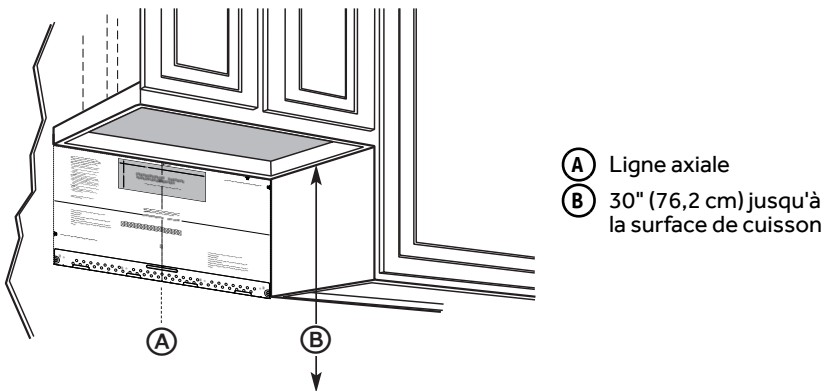
1. Tracer une ligne verticale sur le mur au centre de l'espace de 24" (61 cm) de large.
2. Positionner la plaque de montage/gabarit mural arrière sur le mur de sorte que l'axe du gabarit soit aligné avec la ligne médiane et que le haut du gabarit soit en contact avec le bas du placard. À l'aide de ruban adhésif, fixer le gabarit en position.



STYLE 2 - SOUS UN PLACARD ENCASTRÉ AVEC ENCADREMENT

IMPORTANT : Le four à micro-ondes doit être d'aplomb. Vérifier l'aplomb du fond du placard à l'aide d'un niveau.

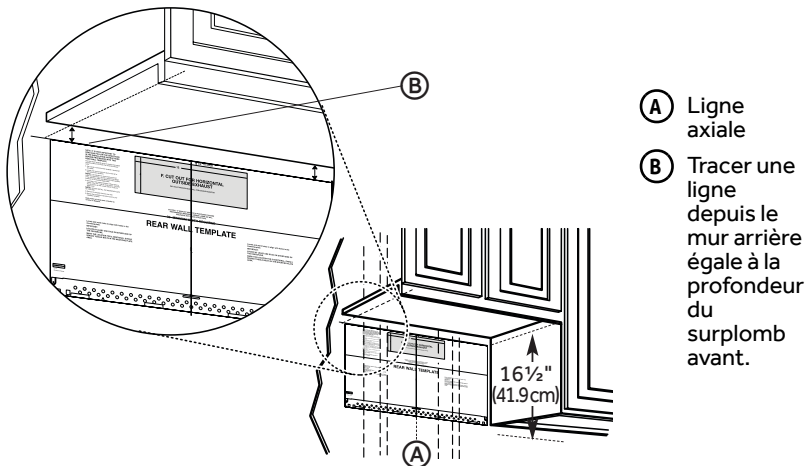
1. Tracer une ligne verticale sur le mur au centre de l'espace de 24" (61 cm) de large.
2. Positionner la plaque de montage/gabarit mural arrière sur le mur de sorte que l'axe du gabarit soit aligné avec la ligne médiane et que le haut du gabarit soit en contact avec le bas du placard. À l'aide de ruban adhésif, fixer le gabarit en position.



STYLE 3 - PLACARD ENCASTRÉ AVEC SURPLOMB AVANT OU GARNITURE DÉCORATIVE

IMPORTANT :

- Le four à micro-ondes doit être d'aplomb. Vérifier l'aplomb du fond du placard à l'aide d'un niveau.
 - Si une garniture décorative du placard gêne l'installation et l'aplomb du four à micro-ondes, retirer la garniture.
 - Si les placards sont conçus avec un surplomb avant, mais pas latéral ni arrière, pour conserver l'aplomb du four à micro-ondes, positionner la plaque de montage de sorte que la distance entre la plaque de montage et le bas du placard soit égale à la distance entre le bas du surplomb avant et le bas du placard.
1. Mesurer la profondeur intérieure du surplomb avant.
 2. Tracer une ligne depuis le mur arrière égale à la profondeur du surplomb avant.



3. Tracer une ligne verticale sur le mur au centre de l'espace de 24" (61 cm) de large.
4. Positionner la plaque de montage/gabarit mural arrière sur le mur de sorte que l'axe du gabarit soit aligné avec la ligne médiane et que le haut du gabarit soit à la même distance au-dessous du bas du placard que la profondeur du surplomb avant. À l'aide de ruban adhésif, fixer le gabarit en position.

ÉTAPE 4 - PERCER LES TROUS POUR MONTER LE FOUR À MICRO-ONDES

IMPORTANT : Il faut utiliser AU MINIMUM une vis à bois fermement fixée sur un montant pour soutenir le poids du four à micro-ondes.

1. Tracer une ligne horizontale sur le mur pour marquer le bas du gabarit mural arrière.
2. Localiser les trous A et B à l'intérieur de la zone de la plaque de montage, indiqués sur le gabarit mural arrière.
3. Positionner la plaque de montage au-dessus du gabarit mural arrière, centrée dans la zone de la plaque de montage, de sorte que les trous de la plaque de montage soient alignés avec les trous du gabarit.
4. Marquer le mur à travers les trous A et B.

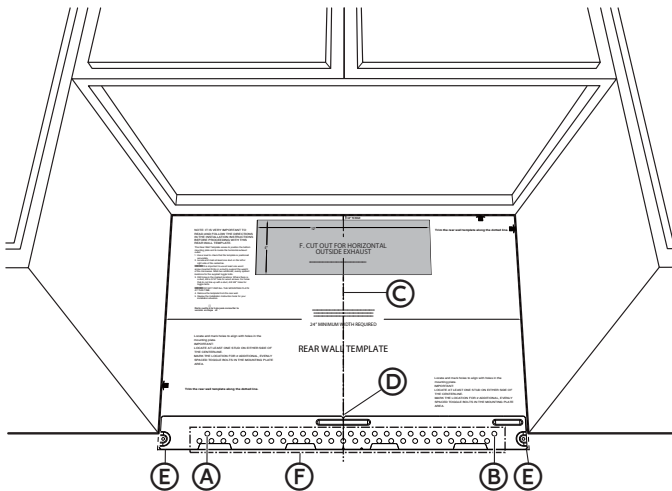
IMPORTANT : Si ni le trou A ni le trou B n'est aligné avec un montant, localiser un montant à l'intérieur de la zone de la plaque de montage et marquer un troisième trou aligné avec le montant.

5. Percer un trou aux emplacements du trou A et du trou B.

REMARQUE : Une vis à bois doit être utilisée lors d'une installation sur un poteau de bois.

- Percer un trou de $\frac{5}{8}$ " pour utiliser un boulon à ailettes.
- Percer un trou de $\frac{3}{16}$ " pour utiliser une vis à bois.

6. Retirer la plaque de montage/gabarit du mur arrière et la mettre de côté. NE PAS MONTER LA PLAQUE À CE MOMENT

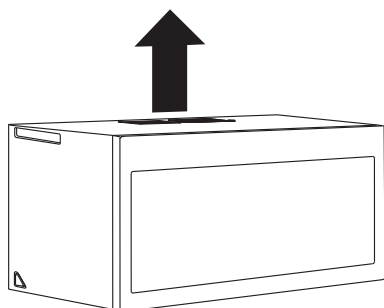


- (A) Trou A
- (B) Trou B
- (C) Tracer une ligne verticale sur le mur depuis le centre du placard supérieur.
- (D) Encoches de la ligne axiale
- (E) Tracer une ligne horizontale sur le mur depuis le dessous du "gabarit du mur arrière".
- (F) Zone de la plaque de montage

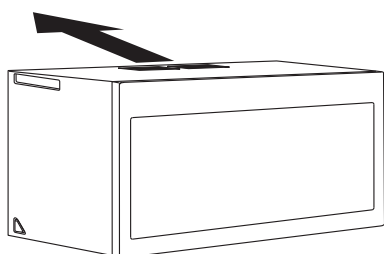
ÉTAPE 5 - DÉTERMINER LA MÉTHODE DE VENTILATION

IMPORTANT : Ce four à micro-ondes a été livré assemblé pour une installation à ventilation par recyclage; Il est toutefois conçu pour être adapté aux méthodes d'évacuation suivantes. Sélectionner la méthode d'évacuation nécessaire pour votre installation et suivre les instructions spécifiques à votre méthode :

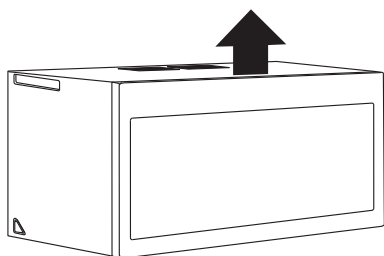
Méthode A - Évacuation extérieure par le haut (conduit vertical)



Méthode B - Évacuation extérieure par l'arrière (conduit horizontal)



Méthode C - Recyclage (sans évacuation ni conduit)



ÉTAPE 6 - INSTALLATION DU FOUR À MICRO-ONDES

Installer le four à micro-ondes en suivant les instructions spécifiques à votre ventilation: **Méthode A** - évacuation extérieure par le haut (conduit vertical), **Méthode B** - évacuation extérieure par l'arrière (conduit horizontal), **Méthode C** - recyclage (sans évacuation ni conduit)

MÉTHODE A - ÉVACUATION EXTÉRIEURE PAR LE HAUT (CONDUIT VERTICAL)

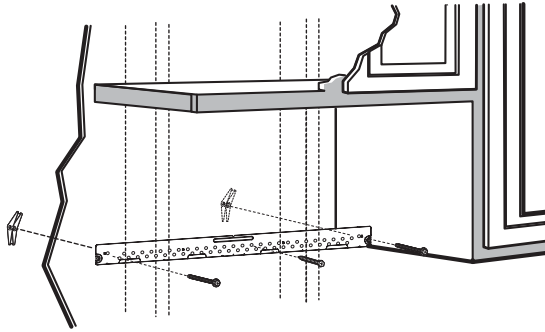
IMPORTANT :

- S'assurer que les vis du moteur du ventilateur et du couvercle du ventilateur sont bien serrés lors de leur réinstallation. Cela évitera des vibrations excessives.
- S'assurer que le câblage du moteur a été correctement raccordé et fixé solidement, et que les câbles ne sont pas coincés.

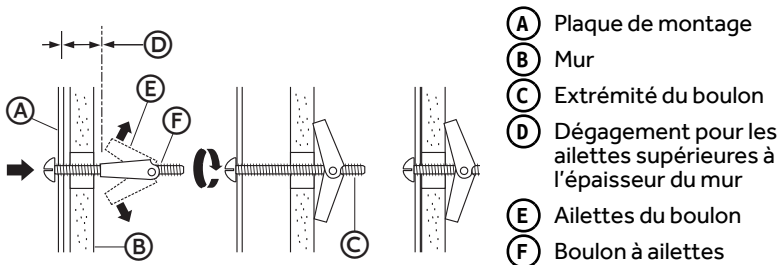
INSTALLER LA PLAQUE DE MONTAGE

REMARQUE : Utiliser au moins une vis à bois pour fixer la plaque au poteau du colombage mural.

1. Retirer les ailettes des boulons.
2. Insérer les boulons dans la plaque de montage à travers les trous conçus pour rentrer dans des panneaux de gypse et rattacher les ailettes sur chaque boulon.



3. Placer la plaque de montage contre le mur et insérer les ailettes dans les trous du mur pour monter la plaque.



4. Pousser la plaque de montage en affleurement contre le mur. S'assurer que la plaque de montage touche le bas de la ligne horizontale et que la plaque soit centrée sous le placard.

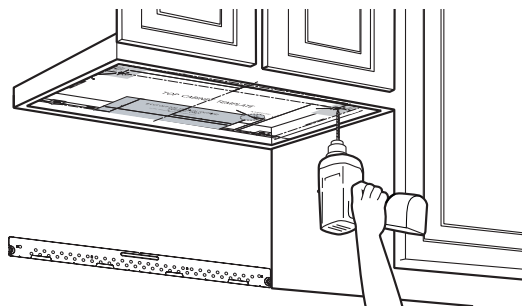
REMARQUE : Éviter de se coincer les doigts entre l'arrière de la plaque de montage et le mur.

5. Serrer tous les boulons.

REMARQUE : Retirer la plaque du mur pour mieux serrer les boulons.

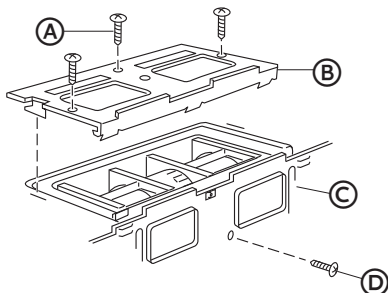
PRÉPARER LE PLACARD EN HAUTEUR

1. Lire les instructions sur le gabarit du placard supérieur, puis scotcher le gabarit sous le placard en hauteur.
2. Percer les trous selon les instructions sur le gabarit.
 - Percer les trous pour les vis de support supérieures.
 - Percer un trou suffisamment grand pour y faire passer le cordon d'alimentation.
 - Percer une ouverture suffisamment grande pour l'adaptateur d'évacuation.



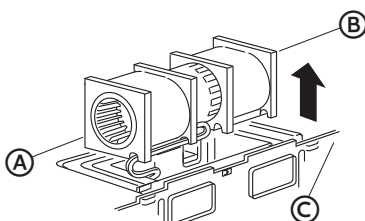
ADAPTER LE VENTILATEUR POUR UNE ÉVACUATION EXTÉRIEURE PAR LE HAUT

1. Placer le four à micro-ondes en position debout.
2. Retirer les trois vis fixant la plaque d'évacuation au four à micro-ondes, puis les mettre de côté.
3. Retirer la vis fixant le moteur du ventilateur au four à micro-ondes et la mettre de côté.



- (A) Vis de la plaque d'évacuation (3)
- (B) Plaque d'évacuation
- (C) Arrière du four à micro-ondes
- (D) Vis du moteur du ventilateur

4. Dégager délicatement le moteur. Les câbles sont suffisamment longs pour permettre d'ajuster le moteur.

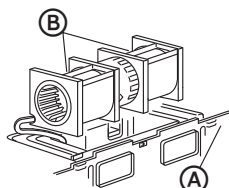
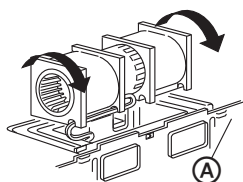


- (A) Extrémité A
- (B) Extrémité B
- (C) Arrière du four à micro-ondes

5. Faire pivoter le moteur à 90° de manière à ce que les ouvertures des pales du ventilateur soient face au sommet du four à micro-ondes.

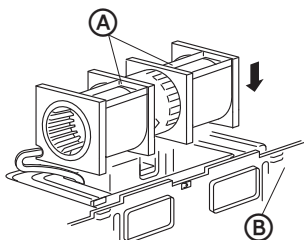
Avant la rotation

Après rotation



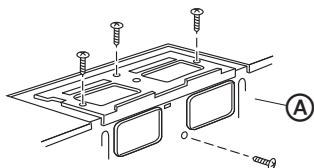
- (A) Arrière du four à micro-ondes
- (B) Ouvertures des pales du ventilateur

6. Remettre en place le ventilateur dans l'ouverture.
7. Au moyen de la vis du moteur du ventilateur retirée précédemment, fixer le ventilateur au four à micro-ondes. Serrer complètement la vis.



- (A) APRÈS : Ouvertures des pales du ventilateur orientées vers le haut
- (B) Arrière du four à micro-ondes

8. Au moyen des trois vis de la plaque du ventilateur retirées précédemment, réinstaller la plaque du ventilateur. Serrer complètement les vis.



- (A) Arrière du four à micro-ondes

MONTER LE FOUR À MICRO-ONDES

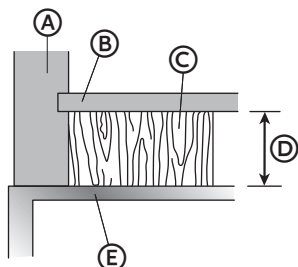
⚠ AVERTISSEMENT

Risque du poids excessif

Avec l'aide d'au moins deux personnes, déplacer et installer le four à micro-ondes.

Le non-respect de cette instruction peut causer une blessure au dos ou d'autres blessures.

REMARQUE : Si l'avant du placard est accroché sous l'étagère inférieure du placard, il est conseillé d'utiliser des cales pour éviter d'endommager la caisse si les vis sont trop serrées.



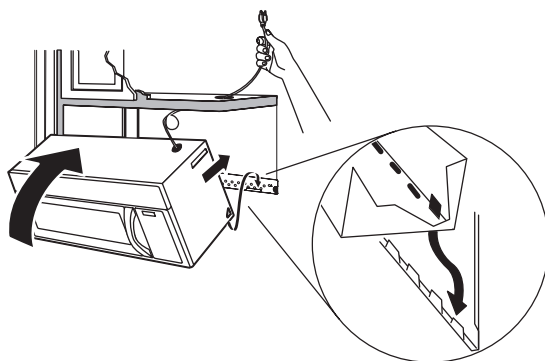
- (A) Face avant du placard
- (B) Étagère inférieure du placard
- (C) Cale
- (D) Distance équivalente à l'encastrement du placard
- (E) Sommet du four à micro-ondes

1. Faire passer le cordon d'alimentation à travers le trou percé au fond du placard en hauteur. Tirer sur le cordon d'alimentation lors du montage du four.

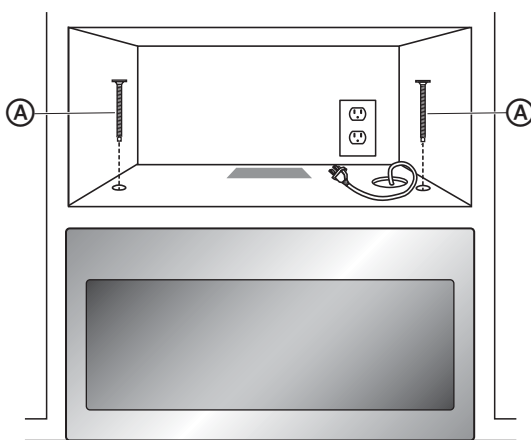
REMARQUE : Si le placard en hauteur est en métal, placer l'œillet en nylon autour du trou du cordon d'alimentation pour éviter de couper le cordon d'alimentation.

2. Soulever le four à micro-ondes à l'aide d'au moins deux personnes, le faire basculer vers l'avant et accrocher les encoches situées sur le rebord arrière inférieur sur les quatre pattes inférieures de la plaque de montage.
3. Tourner le four à micro-ondes de sorte que le dessus se retrouve contre la partie inférieure du placard.

REMARQUE : S'assurer de garder le cordon d'alimentation tendu et ne pas le coincer, tout particulièrement dans le cas d'une installation en affleurement avec le bas du placard.



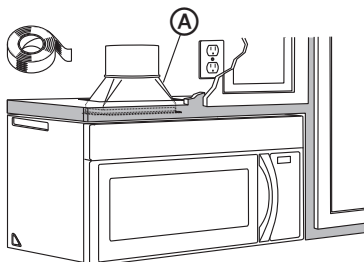
4. Insérer les deux vis de montage à travers les trous du placard du haut et dans les trous de la partie supérieure du four à micro-ondes. Serrer toutes les vis à fond.



5. En maintenant le four à micro-ondes en affleurement contre le mur arrière et le placard du haut, serrer les deux vis à fond.

RACCORDEMENT À LA TUYAUTERIE

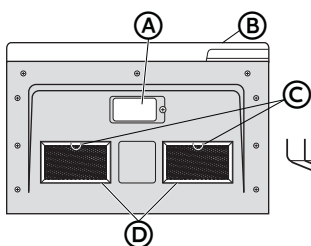
1. Déployer le conduit d'évacuation du domicile vers le bas, puis le raccorder à l'adaptateur de boîtier de hotte aspirante (non fourni).
2. Assurer l'étanchéité des jointures du conduit d'évacuation à l'aide d'adhésif à tuyauterie de chaudière pour applications à haute température.



(A) Adaptateur

INSTALLER LES FILTRES À GRAISSE

Les filtres à graisse sont situés sur la partie inférieure du four à micro-ondes. Pour instructions d'installation, voir le manuel d'utilisation livré avec le micro-ondes.



- (A) Lampes de surface
- (B) Porte
- (C) Filtres à graisse

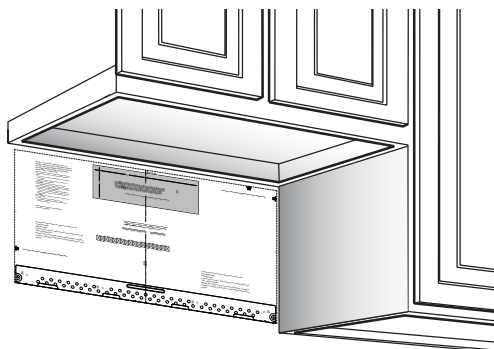


MÉTHODE B - ÉVACUATION EXTÉRIEURE PAR L'ARRIÈRE (CONDUIT HORIZONTAL)

IMPORTANT :

- S'assurer que les vis du moteur du ventilateur et du couvercle du ventilateur sont bien serrées lors de leur réinstallation. Cela évitera des vibrations excessives.
- S'assurer que le câblage du moteur a été correctement raccordé et fixé solidement, et que les câbles ne sont pas coincés.

CRÉER UNE OUVERTURE D'ÉVACUATION SUR LE MUR ARRIÈRE

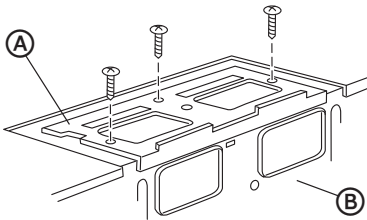


1. Lire les instructions sur la plaque de montage/gabarit du mur arrière.
2. Scotcher la plaque de montage/gabarit au mur arrière en l'alignant sur les trous percés précédemment pour les trous A et B dans la plaque murale.

- Découper l'ouverture en suivant les instructions du gabarit du mur arrière.

RETIRER LE COUVERCLE DU VENTILATEUR

- Retirer la vis fixant le couvercle du ventilateur au four à micro-ondes.
- Soulever le couvercle du ventilateur. Mettre la vis de côté.

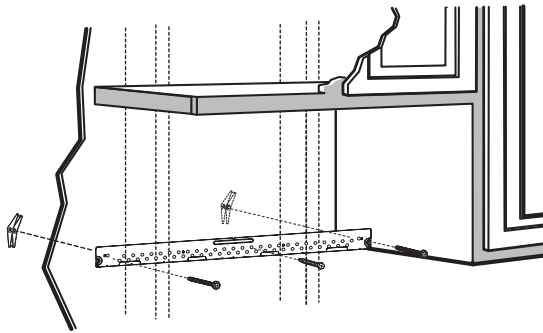


- (A) Plaque d'évacuation
- (B) Arrière du four à micro-ondes

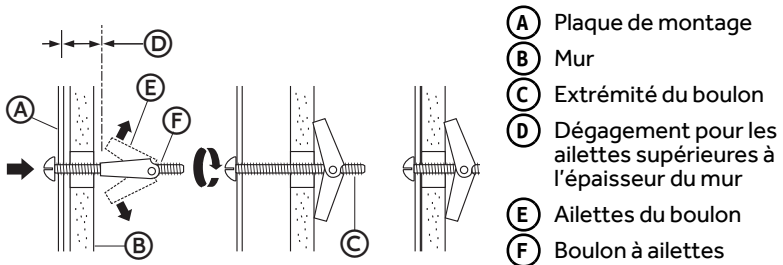
INSTALLER LA PLAQUE DE MONTAGE

REMARQUE : Utiliser au moins une vis à bois pour fixer la plaque au poteau du colombage mural.

- Retirer les ailettes des boulons.
- Insérer les boulons dans la plaque de montage à travers les trous conçus pour rentrer dans des panneaux de gypse et rattacher les ailettes sur chaque boulon.



- Placer la plaque de montage contre le mur et insérer les ailettes dans les trous du mur pour monter la plaque.



- (A) Plaque de montage
- (B) Mur
- (C) Extrémité du boulon
- (D) Dégagement pour les ailettes supérieures à l'épaisseur du mur
- (E) Ailettes du boulon
- (F) Boulon à ailettes

- Pousser la plaque de montage en affleurement contre le mur. S'assurer que la plaque de montage touche le bas de la ligne horizontale et que la plaque soit centrée sous le placard.

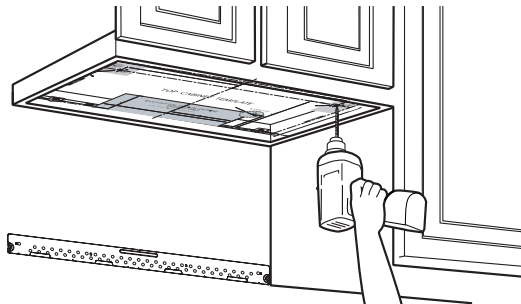
REMARQUE : Éviter de se coincer les doigts entre l'arrière de la plaque de montage et le mur.

- Serrer tous les boulons.

REMARQUE : Retirer la plaque du mur pour mieux serrer les boulons.

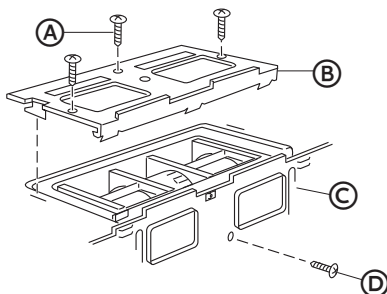
PRÉPARER LE PLACARD EN HAUTEUR

1. Lire les instructions sur le gabarit du placard supérieur, puis scotcher le gabarit sous le placard en hauteur.
2. Percer les trous selon les instructions sur le gabarit.
 - Percer les trous pour les vis de support supérieures.
 - Percer un trou suffisamment grand pour y faire passer le cordon d'alimentation.
 - Percer une ouverture suffisamment grande pour l'adaptateur d'évacuation.



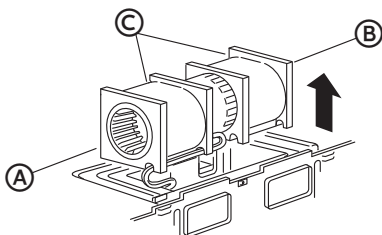
ADAPTER LE VENTILATEUR POUR UNE ÉVACUATION EXTÉRIEURE PAR L'ARRIÈRE

1. Retirer la vis fixant le moteur du ventilateur au four à micro-ondes et la mettre de côté.



- (A) Vis de la plaque d'évacuation (3)
- (B) Plaque d'évacuation
- (C) Arrière du four à micro-ondes
- (D) Vis du moteur du ventilateur

2. Dégager délicatement le moteur. Les câbles sont suffisamment longs pour permettre d'ajuster le moteur.

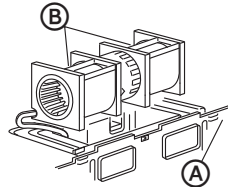
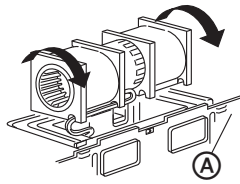


- (A) Extrémité A
- (B) Extrémité B
- (C) Avant : Ouvertures des pales du ventilateur orientées vers l'avant

3. Faire pivoter le ventilateur sur 90°.

Avant la rotation

Après rotation

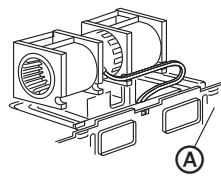
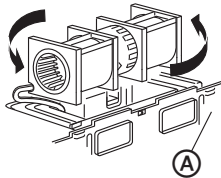


- (A) Arrière du four à micro-ondes
- (B) Ouvertures des pales du ventilateur

4. Faire pivoter le ventilateur dans le sens antihoraire à 180°.

Avant la rotation

Après rotation

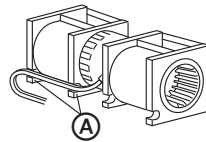
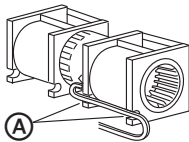


- (A) Arrière du four à micro-ondes

5. Retirer délicatement les câbles des rainures. Réacheminer les câbles à travers les rainures de l'autre côté du ventilateur.

Avant réacheminement

Après réacheminement

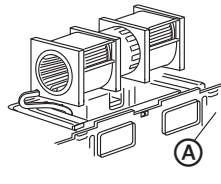
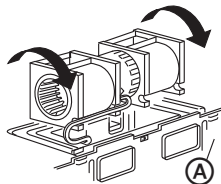


- (A) Rainures

6. Faire pivoter le moteur à 90° de manière à ce que les ouvertures des pales du ventilateur soient face à l'arrière du four à micro-ondes.

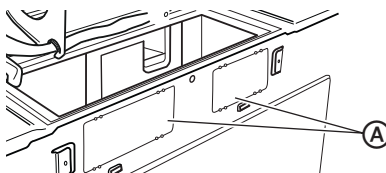
Avant de rouler

Après laminage



- (A) Arrière du four à micro-ondes

7. Utilisation de cisailles, retirer les opercules arrachables à l'arrière de l'appareil.

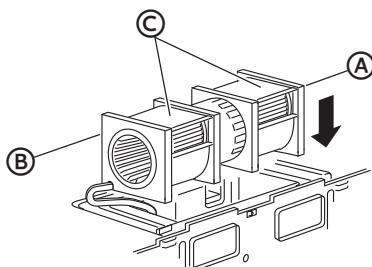


- (A) Opercules arrachables

8. Remettre en place le ventilateur dans l'ouverture.

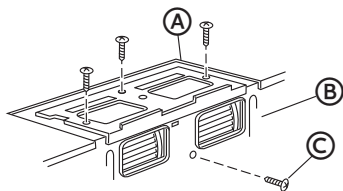
IMPORTANT :

- S'assurer que les câbles ne sont pas coincés et qu'ils sont correctement maintenus en place.
- Les ouvertures d'évacuation du ventilateur doivent correspondre aux ouvertures à l'arrière du four à micro-ondes.



- (A) Extrémité A
- (B) Extrémité B
- (C) Après : Ouvertures des pales du ventilateur orientées vers l'arrière

9. Au moyen de la vis du moteur du ventilateur retirée précédemment, fixer le ventilateur au four à micro-ondes. Serrer complètement la vis.
10. Au moyen des trois vis de la plaque du ventilateur retirées précédemment, réinstaller la plaque du ventilateur. Serrer complètement les vis.



- (A) Plaque d'évacuation
- (B) Arrière du four à micro-ondes
- (C) Vis du moteur du ventilateur

MONTER LE FOUR À MICRO-ONDES

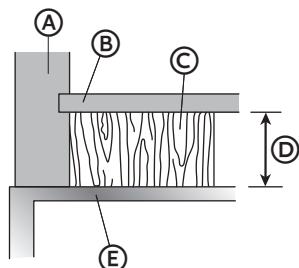
⚠ AVERTISSEMENT

Risque du poids excessif

Avec l'aide d'au moins deux personnes, déplacer et installer le four à micro-ondes.

Le non-respect de cette instruction peut causer une blessure au dos ou d'autres blessures.

REMARQUE : Si l'avant du placard est accroché sous l'étagère inférieure du placard, il est conseillé d'utiliser des cales pour éviter d'endommager la caisse si les vis sont trop serrées.



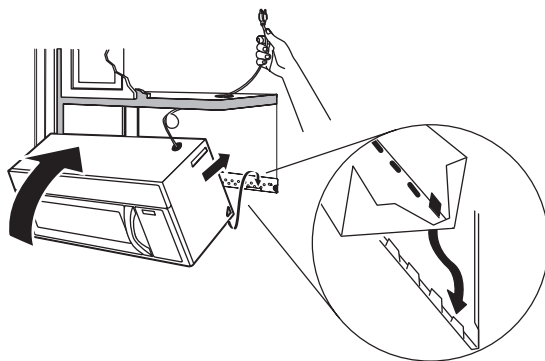
- (A) Face avant du placard
- (B) Étagère inférieure du placard
- (C) Cale
- (D) Distance équivalente à l'encastrement du placard
- (E) Sommet du four à micro-ondes

1. Faire passer le cordon d'alimentation à travers le trou percé au fond du placard en hauteur. Tirer sur le cordon d'alimentation lors du montage du four.

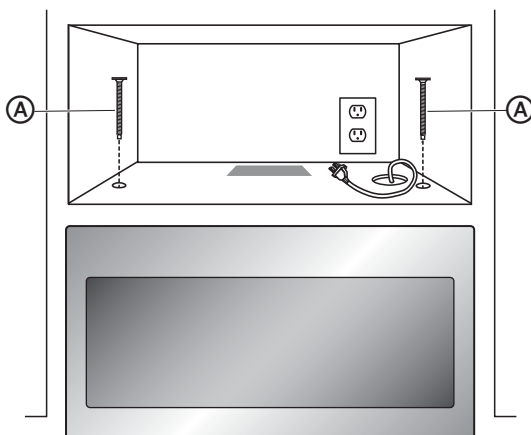
REMARQUE : Si le placard en hauteur est en métal, placer l'œillet en nylon autour du trou du cordon d'alimentation pour éviter de couper le cordon d'alimentation.

2. Soulever le four à micro-ondes à l'aide d'au moins deux personnes, le faire basculer vers l'avant et accrocher les encoches situées sur le rebord arrière inférieur sur les quatre pattes inférieures de la plaque de montage.
3. Tourner le four à micro-ondes de sorte que le dessus se retrouve contre la partie inférieure du placard.

REMARQUE : S'assurer de garder le cordon d'alimentation tendu et ne pas le coincer, tout particulièrement dans le cas d'une installation en affleurement avec le bas du placard.



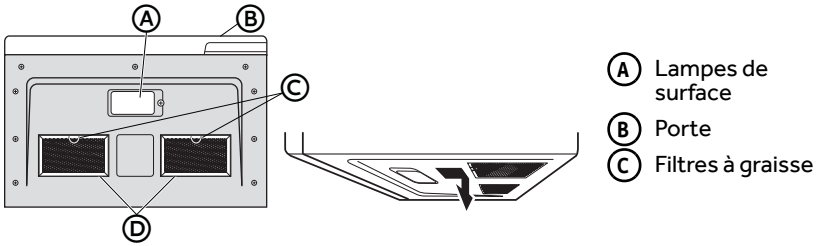
4. Insérer les deux vis de montage à travers les trous du placard du haut et dans les trous de la partie supérieure du four à micro-ondes. Serrer toutes les vis à fond.



5. En maintenant le four à micro-ondes en affleurement contre le mur arrière et le placard du haut, serrer les deux vis à fond.

INSTALLER LES FILTRES À GRAISSE

Les filtres à graisse sont situés sur la partie inférieure du four à micro-ondes. Pour instructions d'installation, voir le manuel d'utilisation livré avec le micro-ondes.



MÉTHODE C - RECYCLAGE (SANS ÉVACUATION NI CONDUIT)

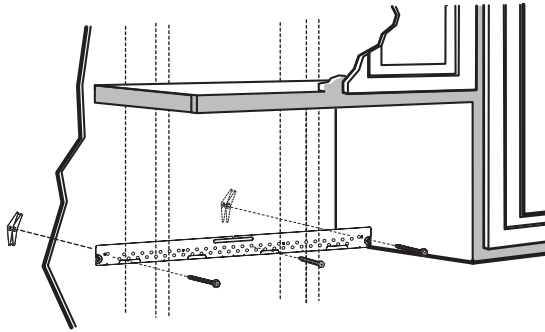
IMPORTANT :

- S'assurer que les vis du moteur du ventilateur et du couvercle du ventilateur sont bien serrés lors de leur réinstallation. Cela évitera des vibrations excessives.
- S'assurer que le câblage du moteur a été correctement raccordé et fixé solidement, et que les câbles ne sont pas coincés.

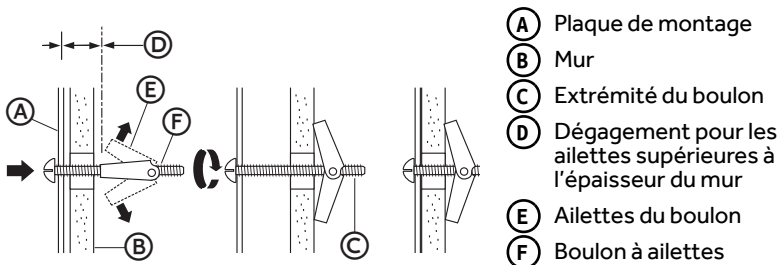
INSTALLER LA PLAQUE DE MONTAGE

REMARQUE : Utiliser au moins une vis à bois pour fixer la plaque au poteau du colombage mural.

1. Retirer les ailettes des boulons.
2. Insérer les boulons dans la plaque de montage à travers les trous conçus pour rentrer dans des panneaux de gypse et rattacher les ailettes sur chaque boulon.



3. Placer la plaque de montage contre le mur et insérer les ailettes dans les trous du mur pour monter la plaque.



4. Pousser la plaque de montage en affleurement contre le mur. S'assurer que la plaque de montage touche le bas de la ligne horizontale et que la plaque soit centrée sous le placard.

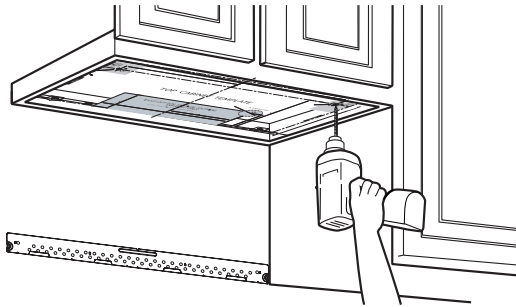
REMARQUE : Éviter de se coincer les doigts entre l'arrière de la plaque de montage et le mur.

5. Serrer tous les boulons.

REMARQUE : Retirer la plaque du mur pour mieux serrer les boulons.

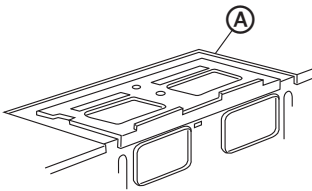
PRÉPARER LE PLACARD EN HAUTEUR

1. Lire les instructions sur le gabarit du placard supérieur, puis scotcher le gabarit sous le placard en hauteur.
2. Percer les trous selon les instructions sur le gabarit.
 - Percer les trous pour les vis de support supérieures.
 - Percer un trou suffisamment grand pour y faire passer le cordon d'alimentation.
 - Percer une ouverture suffisamment grande pour l'adaptateur d'évacuation.



VÉRIFIER LE COUVERCLE DU VENTILATEUR

1. Placer le four à micro-ondes en position debout.
2. Vérifier que le couvercle du ventilateur a été correctement installé sur le four à micro-ondes.



A Plaque d'évacuation

MONTER LE FOUR À MICRO-ONDES

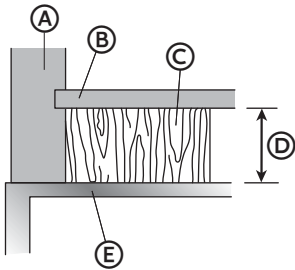
⚠ AVERTISSEMENT

Risque du poids excessif

Avec l'aide d'au moins deux personnes, déplacer et installer le four à micro-ondes.

Le non-respect de cette instruction peut causer une blessure au dos ou d'autres blessures.

REMARQUE : Si l'avant du placard est accroché sous l'étagère inférieure du placard, il est conseillé d'utiliser des cales pour éviter d'endommager la caisse si les vis sont trop serrées.



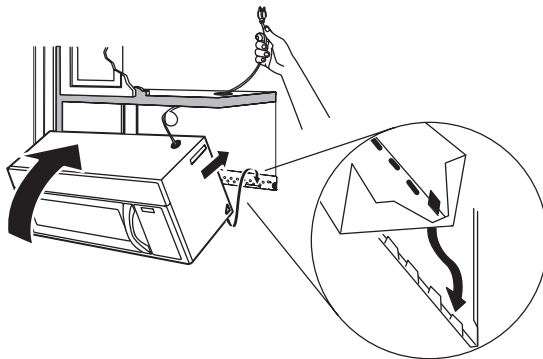
- (A) Face avant du placard
- (B) Étagère inférieure du placard
- (C) Cale
- (D) Distance équivalente à l'encastrement du placard
- (E) Sommet du four à micro-ondes

1. Faire passer le cordon d'alimentation à travers le trou percé au fond du placard en hauteur. Tirer sur le cordon d'alimentation lors du montage du four.

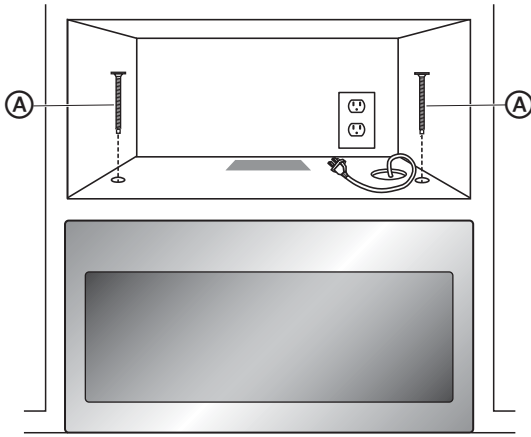
REMARQUE : Si le placard en hauteur est en métal, placer l'œillet en nylon autour du trou du cordon d'alimentation pour éviter de couper le cordon d'alimentation.

2. Soulever le four à micro-ondes à l'aide d'au moins deux personnes, le faire basculer vers l'avant et accrocher les encoches situées sur le rebord arrière inférieur sur les quatre pattes inférieures de la plaque de montage.
3. Tourner le four à micro-ondes de sorte que le dessus se retrouve contre la partie inférieure du placard.

REMARQUE : S'assurer de garder le cordon d'alimentation tendu et ne pas le coincer, tout particulièrement dans le cas d'une installation en affleurement avec le bas du placard.



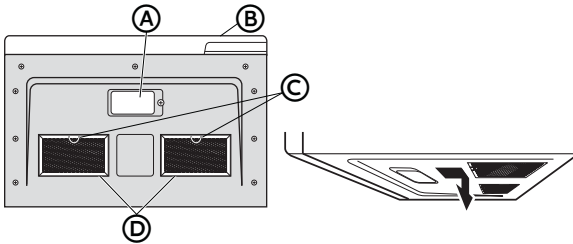
4. Insérer les deux vis de montage à travers les trous du placard du haut et dans les trous de la partie supérieure du four à micro-ondes. Serrer toutes les vis à fond.



5. En maintenant le four à micro-ondes en affleurement contre le mur arrière et le placard du haut, serrer les deux vis à fond.

INSTALLER LES FILTRES À GRAISSE

Les filtres à graisse sont situés sur la partie inférieure du four à micro-ondes. Pour instructions d'installation, voir le manuel d'utilisation livré avec le micro-ondes.



- (A) Lampes de surface
- (B) Porte
- (C) Filtres à graisse

ÉTAPE 7 - FIN DE L'INSTALLATION

⚠ AVERTISSEMENT



Risque de choc électrique

Brancher sur une prise à 3 alvéoles reliée à la terre.

Ne pas enlever la broche de liaison à la terre du cordon d'alimentation.

Ne pas utiliser un adaptateur.

Ne pas utiliser un câble de rallonge.

Le non-respect de cette instruction pourrait causer un décès, un incendie ou un choc électrique.

1. Brancher sur une prise à 3 alvéoles reliée à la terre.
2. Rétablir l'alimentation électrique.
3. Contrôler le fonctionnement du four à micro-ondes : placer sur le plateau rotatif 1 récipient contenant 250 mL d'eau, et programmer une période de chauffage de 1 minute à la puissance maximale (100 %). Faire fonctionner le ventilateur d'extraction pour tester son fonctionnement.
4. Si le four à micro-ondes ne fonctionne pas :
 - Déterminer si un fusible est grillé ou si un disjoncteur s'est ouvert. Remplacer le fusible ou réenclencher le disjoncteur. Si le problème persiste, appeler un électricien.
 - Vérifier que le cordon d'alimentation est correctement branché sur une prise de courant à 3 alvéoles reliée à la terre.
 - Voir les instructions d'utilisation pour plus de renseignements.
5. L'installation est maintenant terminée.

ÍNDICE

SEGURIDAD DEL HORNO	56
REQUISITOS DE INSTALACIÓN	57
Herramientas y piezas	57
Requisitos de ubicación	58
Requisitos eléctricos	59
INSTRUCCIONES DE INSTALACIÓN	60
Paso 1 - Desempaque el horno de microondas	61
Paso 2 - Ubicar los pies derechos de pared	62
Paso 3 - Alinee la plantilla de pared trasera y marque la pared	62
Paso 4 - Taladre orificios para montar el horno de microondas	64
Paso 5 - Determine el método de ventilación	65
Paso 6 - Instalar el horno de microondas	66
Paso 7 - Complete la instalación	81

SEGURIDAD DEL HORNO

Su seguridad y la seguridad de los demás es muy importante.

Hemos incluido muchos mensajes importantes de seguridad en este manual y en su electrodoméstico. Lea y obedezca siempre todos los mensajes de seguridad.



Este es el símbolo de advertencia de seguridad.

Este símbolo le llama la atención sobre peligros potenciales que pueden ocasionar la muerte o una lesión a usted y a los demás. Todos los mensajes de seguridad irán a continuación del símbolo de advertencia de seguridad y de la palabra "PELIGRO", "ADVERTENCIA" o "PRECAUCIÓN".

Estas palabras significan:

⚠ PELIGRO

Se trata de una situación de peligro inminente. Si no sigue las instrucciones de inmediato, usted puede morir o sufrir una lesión grave.

⚠ ADVERTENCIA

Se trata de una situación posiblemente peligrosa que, de no evitarse, podría causar la muerte o una lesión grave.

⚠ PRECAUCIÓN

Se trata de una situación posiblemente peligrosa que, de no evitarse, podría causar lesiones moderadas o leves.

Todos los mensajes de seguridad le dirán el peligro potencial, le dirán cómo reducir las posibilidades de sufrir una lesión y lo que puede suceder si no se siguen las instrucciones.

INSTRUCCIONES IMPORTANTES DE SEGURIDAD

IMPORTANTE: Para reducir el riesgo de incendio, choque eléctrico, lesiones a personas o daños al utilizar el horno de microondas, siga precauciones básicas, incluyendo las siguientes:

- Lea todas las instrucciones antes de usar este electrodoméstico.
- Antes de usarse este aparato, deberá ser debidamente instalado y ubicado de acuerdo a las instrucciones de instalación.

INSTRUCCIONES IMPORTANTES DE SEGURIDAD

- El horno de microondas debe estar conectado a tierra. Conéctelo solamente a un contacto debidamente conectado a tierra. Vea la sección "INSTRUCCIONES DE CONEXIÓN A TIERRA" que encontrará en la sección "Requisitos eléctricos" y las instrucciones de instalación proporcionadas.
- Consulte con un electricista o técnico calificado si las instrucciones para conexión a tierra no se entienden bien o si hay alguna duda con respecto a la correcta conexión a tierra del horno de microondas.
- No quite el terminal de conexión a tierra.
- No use un adaptador.
- No use un cable eléctrico de extensión.
- Desconecte el suministro eléctrico en la caja de fusibles o de cortacircuitos antes de instalar el microondas.
- La superficie de montaje debe poder soportar la carga del armario, además del peso añadido de este producto de 63 a 85 libras (28,5 a 38,5 kg), más las cargas adicionales del horno de hasta 50 libras (22,7 kg) o un peso total de 113 a 135 libras (51,3 a 61,2 kg).
- Este producto no puede instalarse en sistemas de armarios, tales como muebles tipo isla o península. Debe montarse TANTO en el armario superior COMO en la pared.
- Use dos o más personas para mover e instalar el horno de microondas.

LEA Y GUARDE ESTAS INSTRUCCIONES

REQUISITOS DE INSTALACIÓN

HERRAMIENTAS Y PIEZAS

Reúna las herramientas y piezas necesarias antes de comenzar la instalación. Lea y siga las instrucciones provistas con cualquiera de las herramientas enlistadas aquí.

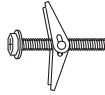
HERRAMIENTAS NECESARIAS

- Destornillador Phillips
- Lápiz
- Cinta de medir o regla
- Escuadra de carpintero
- Tijeras para lata (para cortar el regulador de tiro, si fuera necesario)
- Tijeras
- Taladro eléctrico inalámbrico
- Brocas de $\frac{3}{16}$ ", $\frac{1}{2}$ " y $\frac{5}{8}$ "
- Sierra de vaivén, sierra de cilíndrica o sierra de caladora)
- Detector de pies derechos
- Martillo
- Nivel de carpintero
- Cinta adhesiva
- Cinta adhesiva protectora
- Guantes y gafas protectoras

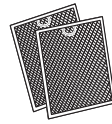
PIEZAS SUMINISTRADAS



Tornillos para madera
($\frac{1}{4}$ " x 2")



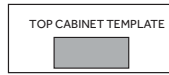
Pernos de ajuste y
tuercas mariposa
($\frac{3}{16}$ " x 3")



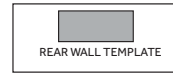
Filtros para grasa
(empacados por
separado)



Refuerzo dentado de nailon
(para armarios metálicos)



Plantilla del armario
superior



Plantilla de la pared
trasera



Bandeja de vidrio

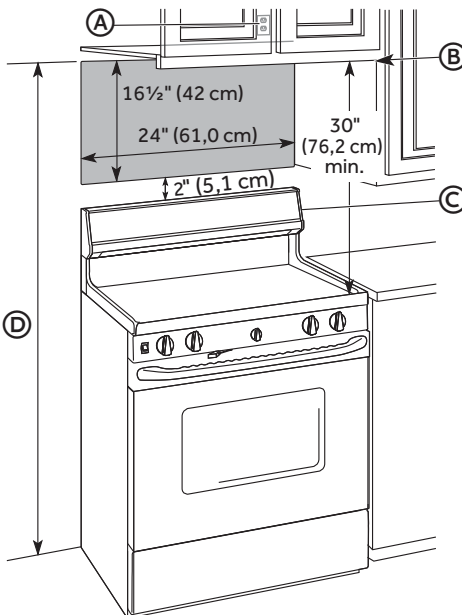


Anillo de la bandeja
giratoria

PIEZAS NECESARIAS

- Tornillos para metales de alineación automática M6-1.00 (2) - de la longitud necesaria para atravesar la base del armario, el bloque de relleno (de ser necesario para los armarios con base empotrada) y en la parte superior del microondas.

REQUISITOS DE UBICACIÓN



- (A) Contacto de 3 terminales con conexión a tierra
- (B) El borde inferior del armario debe estar a 30" (76,2 cm) o más de la superficie de cocción
- (C) Salpicadera
- (D) 66" (167,6 cm) o más del piso a la parte superior del horno de microondas

- El espacio entre los armarios debe ser de 24" (61 cm) como mínimo y no debe haber obstáculos.
- Contacto eléctrico conectado a tierra dentro del armario suspendido. Vea la sección "Requisitos eléctricos".
- Si va a ventilar el horno de microondas hacia el exterior, vea "Instalación del horno de microondas" para obtener información sobre la preparación del ducto y la ventilación.
- Cuando instale el horno de microondas debajo de armarios lisos y planos, siga con cuidado las instrucciones de la plantilla del armario superior a fin de dejar espacio libre para el cable eléctrico.

REQUISITOS ELÉCTRICOS

⚠ ADVERTENCIA



Peligro de Choque Eléctrico

Conecte a un contacto de pared de conexión a tierra de 3 terminales.

No quite el terminal de conexión a tierra del cable de alimentación.

No use un adaptador.

No use un cable eléctrico de extensión.

No seguir estas instrucciones puede ocasionar la muerte, incendio o choque eléctrico.

Observe todos los códigos y ordenanzas aplicables.

La clasificación del producto es de 120 voltios CA, 60 hercios y 1500 vatios. Este producto debe estar conectado a un circuito de suministro de energía de voltaje y frecuencia apropiados.

El cable de suministro de energía y el enchufe deben colocarse en un tomacorriente con conexión a tierra de circuito simple derivado de 15 a 20 amperios por separado.

La caja de salida debe colocarse en el armario encima del horno de microondas.

Un electricista calificado debe instalar la caja de salida y el circuito de suministro según el National Electrical Code (Código Nacional Eléctrico) o el código local imperante.

INSTRUCCIONES DE PUESTA A TIERRA

Para la conexión de un horno de microondas mediante cable eléctrico conectado a tierra:

El horno de microondas debe estar conectado a tierra. En caso de que se produzca un cortocircuito, la conexión a tierra reduce el riesgo de electrocución por medio de un alambre de escape para la corriente eléctrica. El horno de microondas está equipado con un cable que tiene un alambre de conexión a tierra con un enchufe para conexión a tierra. El enchufe debe estar conectado a un tomacorriente que está correctamente instalado y conectado a tierra.

ADVERTENCIA: El uso incorrecto del enchufe para la conexión a tierra puede resultar en riesgo de electrocución. Consulte con un electricista o técnico calificado si las instrucciones para conexión a tierra no se entienden bien o si hay alguna duda con respecto a la correcta conexión a tierra del horno de microondas.

No use un cable de extensión. Si el cable de suministro eléctrico es muy corto, haga que un electricista o técnico calificado instale un tomacorriente cerca del horno de microondas.

LEA Y GUARDE ESTAS INSTRUCCIONES

INSTRUCCIONES DE INSTALACIÓN

⚠ ADVERTENCIA



Peligro de Choque Eléctrico

Desconecte el suministro eléctrico en la caja de fusibles o de cortacircuitos antes de instalar el microondas.

No seguir esta instrucción puede ocasionar la muerte o choque eléctrico.

PASO 1 - DESEMPAQUE EL HORNO DE MICROONDAS

⚠ ADVERTENCIA

Peligro de Peso Excesivo

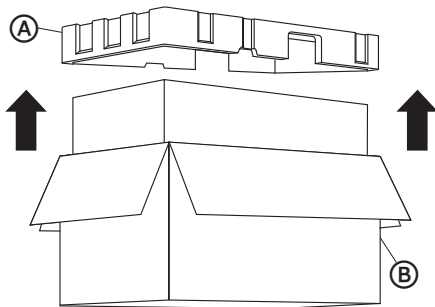
Use dos o más personas para mover e instalar el horno de microondas.

No seguir esta instrucción puede ocasionar una lesión en la espalda u otro tipo de lesiones.

1. Con la ayuda de dos o más personas, mueva el horno de microondas cerca de la ubicación donde lo va a instalar.
2. Abra las cuatro solapas de la parte superior de la caja. Desde la parte superior del microondas, quite el embalaje de espuma que contiene la bandeja giratoria y el anillo de la bandeja giratoria.

NOTA: No retire el empaque de espuma de la parte frontal del horno.

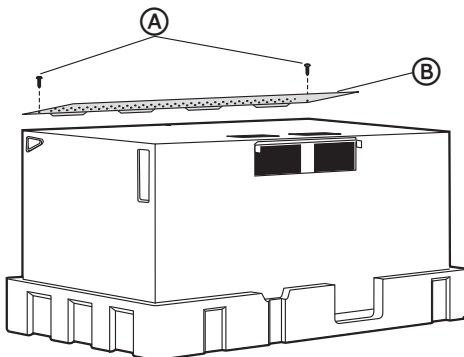
3. Abra la parte superior de la bolsa de plástico. El uso de dos personas, levante el horno de microondas fuera de la caja y fijar suavemente frontal hacia abajo en el embalaje de espuma. Quitar los filtros antigra y Manual del usuario de la caja.



- (A) Empaque de espuma
- (B) Caja

4. Localice y quite los dos tornillos que sujetan la placa de montaje a la parte posterior del horno y, a continuación, quite la placa de montaje.

NOTA: La placa de montaje se utilizará como plantilla de la pared y para montar el horno de microondas en la pared.



- (A) Tornillos
- (B) Placa de montaje (Plantilla de la pared)

5. Vuelva a colocar los dos tornillos en los orificios de los cuales fueron quitados.

PASO 2 - UBICAR LOS PIES DERECHOS DE PARED

IMPORTANTE: El microondas debe instalarse al menos en un pie derecho de pared, preferentemente dos pies derechos de pared. Si no hay ningún pie derecho de pared dentro de la abertura del armario, no instale el horno de microondas.

1. Ubique los pies derechos, usando uno de los siguientes métodos:

Detector de pies derechos: un dispositivo magnético que localiza clavos.

O BIEN

Use un martillo para dar golpecitos suaves sobre toda la superficie de montaje a fin de detectar un sonido sólido. Un sonido sólido indicará la ubicación del pie derecho.

2. Después de localizar el(los) pie(s) derecho(s), ubique el centro haciendo pruebas en la pared con un pequeño clavo que le permita detectar los bordes del pie derecho. Luego haga una marca que quede a la mitad de ambos bordes. El centro de cualquier pie derecho adyacente debe quedar a 16" (40,6 cm) o 24" (61 cm) de dicha marca.
3. Marque el centro del pie adyacente y, a continuación, trace una línea de plomo vertical hacia abajo del centro de cada pie.

PASO 3 - ALINEE LA PLANTILLA DE PARED TRASERA Y MARQUE LA PARED

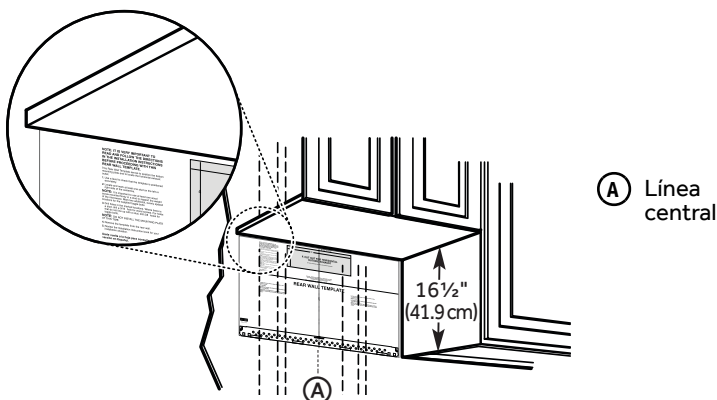
Los estilos de los armarios suspendidos varían. Siga las instrucciones que corresponden al estilo de armario que tiene en su casa.

IMPORTANTE: Desconecte el suministro eléctrico que alimenta el tomacorriente.

ESTILO 1 - DEBAJO DEL ARMARIO CON BASE PLANA

IMPORTANTE: El horno de microondas debe estar nivelado. Utilice un nivel de carpintero para asegurarse de que la parte inferior del armario esté nivelada.

1. Trace una línea vertical sobre la pared en el centro del espacio cuyo ancho es de 24" (61 cm).
2. Coloque en la pared la plantilla de la placa de montaje/pared trasera de manera que la línea central de la plantilla quede alineada con la línea central, y la parte superior de la plantilla esté en contacto con la parte inferior del armario. Pegue la plantilla en esta posición.

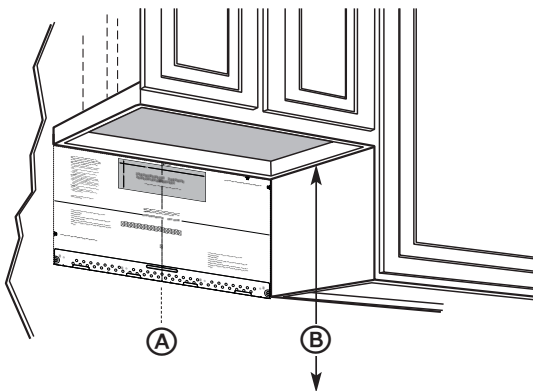


(A) Línea central

ESTILO 2 - DEBAJO DEL ARMARIO EMPOTRADO, CON MARCO

IMPORTANTE: El horno de microondas debe estar nivelado. Utilice un nivel de carpintero para asegurarse de que la parte inferior del armario esté nivelada.

1. Trace una línea vertical sobre la pared en el centro del espacio cuyo ancho es de 24" (61 cm).
2. Coloque en la pared la plantilla de la placa de montaje/pared trasera de manera que la línea central de la plantilla quede alineada con la línea central, y la parte superior de la plantilla esté en contacto con la parte inferior del armario. Pegue la plantilla en esta posición.



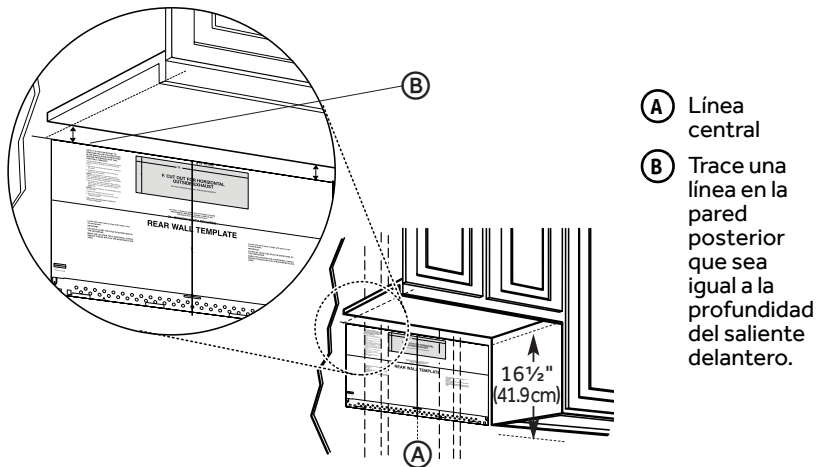
(A) Línea central
(B) 30" (76,2 cm) hasta la superficie de cocción

ESTILO 3 - ARMARIO EMPOTRADO CON SALIENTE DELANTERO O MOLDURA DECORATIVA

IMPORTANTE:

- El horno de microondas debe estar nivelado. Utilice un nivel de carpintero para asegurarse de que la parte inferior del armario esté nivelada.
- Si la moldura decorativa del armario interfiere con la instalación y nivelación del horno de microondas, quítela.
- Si los armarios tienen un saliente delantero, pero no tienen un saliente posterior o lateral, para mantener el microondas nivelado, coloque la placa de montaje de manera que la distancia desde la parte superior de la placa de montaje a la base del armario sea igual a la distancia desde la parte inferior del saliente delantero a la parte inferior del armario.

1. Mida la distancia de profundidad interior del saliente delantero.
2. Trace una línea en la pared posterior que sea igual a la profundidad del saliente delantero.



3. Trace una línea vertical sobre la pared en el centro del espacio cuyo ancho es de 24" (61 cm).
4. Coloque sobre la pared la plantilla de la placa de montaje/pared trasera de manera que la línea central de la plantilla quede alineada con la línea central, y la parte superior de la plantilla esté a la misma distancia debajo de la parte inferior del armario al igual que la profundidad del saliente delantero. Pegue la plantilla en esta posición.

PASO 4 - TALADRE ORIFICIOS PARA MONTAR EL HORNO DE MICROONDAS

IMPORTANTE: Se debe utilizar al MENOS un tornillo para madera montado firmemente en un pie derecho para soportar el peso del microondas.

1. Trace una línea horizontal sobre la pared en la parte inferior de la plantilla de la pared trasera.
2. Localice los orificios A y B dentro del área de la placa de montaje indicada en la plantilla de la pared trasera.
3. Coloque la placa de montaje en la parte superior de la plantilla de la pared trasera centrada en el área de la placa de montaje de manera que los orificios de la placa de montaje queden alineados con los orificios en la plantilla.

4. Marque la pared a través de los orificios A y B.

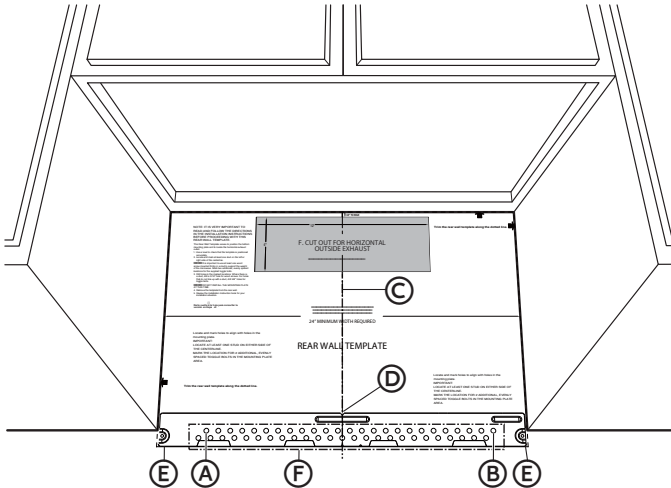
IMPORTANTE: Si ninguno de los orificios A o B quedan alineados con un pie derecho, localícelo dentro del área de la placa de montaje y marque un tercer orificio para que quede alineado con el pie derecho.

5. Taladre un orificio en los orificios A y B.

NOTA: Se debe utilizar un tornillo para madera cuando se instala en un pie de madera.

- Taladre un orificio de $\frac{5}{8}$ " (15,9 mm) para utilizar un perno de ajuste.
- Taladre un orificio de $\frac{3}{16}$ " (4,8 mm) para utilizar un tornillo para madera.

6. Quite la plantilla de la placa de montaje/pared trasera y colóquela a un lado. **NO COLOQUE LA PLACA EN ESTE MOMENTO.**



(A) Orificio A

(B) Orificio B

(C) Trace una línea vertical sobre la pared desde el centro del armario superior.

(D) Muecas de la línea central

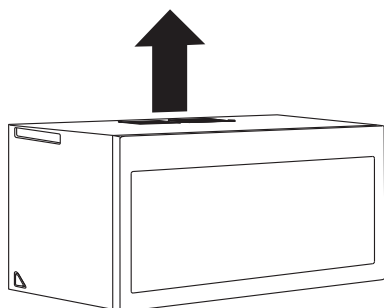
(E) Trace una línea horizontal en la pared desde la parte inferior de la "Plantilla de la pared trasera".

(F) Área de la placa de montaje

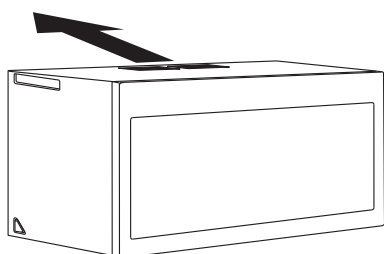
PASO 5 - DETERMINE EL MÉTODO DE VENTILACIÓN

IMPORTANTE: Este horno de microondas se envía ensamblado para la instalación de ventilación por recirculación de aire; sin embargo, está diseñado para adaptarse a los siguientes métodos de ventilación. Seleccione el método de ventilación requerido para su instalación y siga las instrucciones específicas de su método:

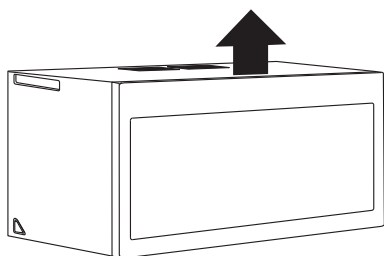
Método A: Ducto de escape superior externo (Ducto vertical)



Método B: Ducto de escape posterior externo (ducto horizontal)



Método C - Recirculación (Sin ducto y sin ventilación)



PASO 6 - INSTALAR EL HORNO DE MICROONDAS

Instale el horno de microondas siguiendo las instrucciones específicas para su ventilación: **Método A** - Ducto de escape superior externo (Ducto vertical), **Método B** - Ducto de escape posterior externo (Ducto horizontal), **Método C** - Recirculación (Sin ducto y sin ventilación)

MÉTODO A: DUCTO DE ESCAPE SUPERIOR EXTERNO (DUCTO VERTICAL)

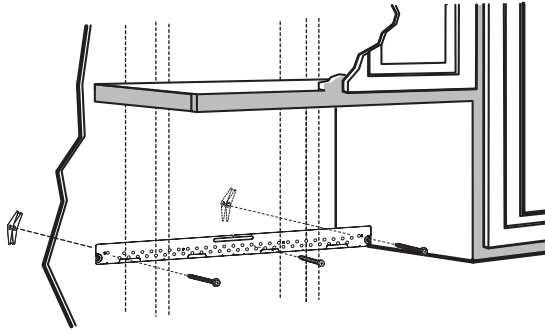
IMPORTANTE:

- Asegúrese de que los tornillos para el motor del soplador y la placa del soplador estén bien ajustados cuando se vuelven a colocar. Esto ayudará a evitar la vibración excesiva.
- Asegúrese de que el cableado del motor quede orientado y firme de forma adecuada, y que los cables no estén aplastados.

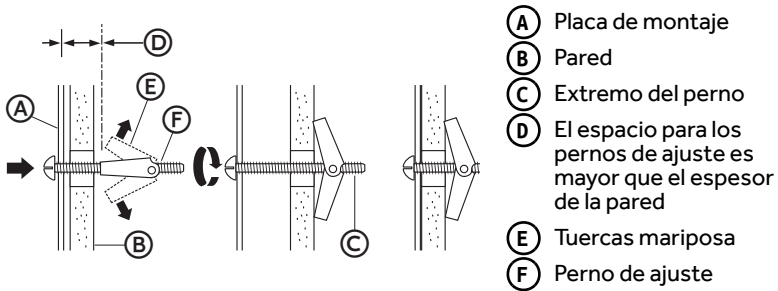
INSTALE LA PLACA DE MONTAJE

NOTA: Debe usarse al menos un tornillo para madera a fin de fijar la placa al pie derecho de pared.

1. Quite las tuercas mariposa de los pernos.
2. Inserte los pernos en la placa de montaje usando los orificios diseñados para introducirse en el panel de yeso y vuelva a colocar las tuercas mariposa en cada perno.



3. Coloque la placa de montaje contra la pared e inserte las tuercas mariposa en los orificios de la pared para instalar la placa.



4. Presione de forma pareja la placa de montaje contra la pared. Asegúrese de que la placa de montaje toque la parte inferior de la línea horizontal y que la placa quede centrada debajo del armario.

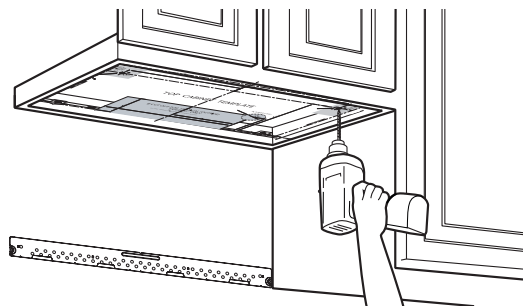
NOTA: Evite aplastarse los dedos entre la parte posterior de la placa de montaje y la pared.

5. Ajuste todos los pernos.

NOTA: Aleje la placa de la pared para que pueda ajustar los pernos.

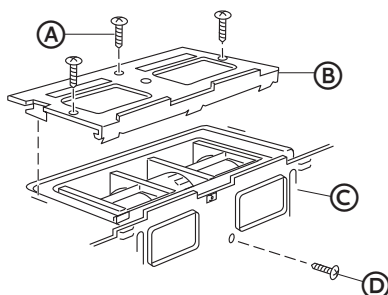
PREPARE EL ARMARIO SUSPENDIDO

1. Lea las instrucciones de la plantilla del ARMARIO SUPERIOR, y luego adhiera con cinta la plantilla debajo del armario suspendido.
2. Taladre los orificios siguiendo las instrucciones de la plantilla del ARMARIO SUPERIOR.
 - Taladre los orificios para colocar los tornillos de soporte de la parte superior.
 - Taladre un orificio lo suficientemente grande para que pueda pasar el cable eléctrico.
 - Taladre un recorte lo suficientemente grande a fin de colocar el adaptador para el ducto de escape.



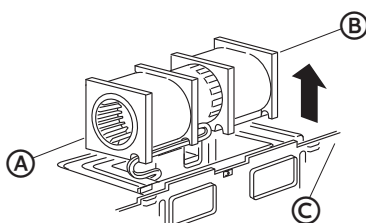
ADAPTE EL SOPLADOR DEL HORNO DE MICROONDAS PARA EL DUCTO DE ESCAPE SUPERIOR EXTERNO

1. Coloque el horno de microondas en su posición vertical.
2. Quite y guarde los tres tornillos que sujetan la placa de escape al microondas.
3. Quite y guarde el tornillo que sujeta el motor del soplador al horno de microondas.



- (A) Tornillos de la placa de escape (3)
- (B) Placa del ducto de escape
- (C) Parte posterior del microondas
- (D) Tornillo del motor del soplador

4. Jale con cuidado la unidad del soplador. Los cables se extenderán lo suficiente para que pueda ajustar la unidad del soplador.

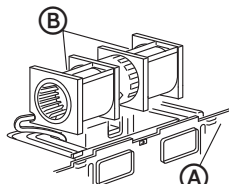
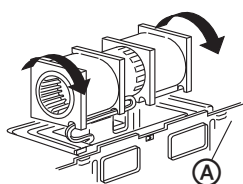


- (A) Extremo A
- (B) Extremo B
- (C) Parte posterior del microondas

5. Gire la unidad del soplador 90°, de manera que las aberturas de las aletas del ventilador queden orientadas hacia la parte superior del horno de microondas.

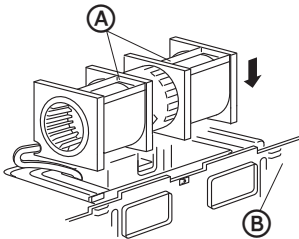
Antes de la rotación

Después de la rotación



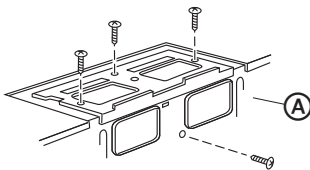
- (A) Parte posterior del horno de microondas
- (B) Aberturas de las aletas del ventilador

- Vuelva a colocar la unidad del soplador en la abertura.
- Con el tornillo del motor del soplador que quitó antes, úselo para colocar de manera firme la unidad del soplador al microondas. Ajuste el tornillo por completo.



- (A) DESPUÉS: Aberturas de las aletas del ventilador orientadas hacia arriba
- (B) Parte posterior del horno de microondas

- Con los tres tornillos de la placa del soplador que quitó antes, vuelva a instalar la placa del soplador. Apriete los tornillos por completo.



- (A) Parte posterior del horno de microondas

INSTALACIÓN DEL HORNO DE MICROONDAS

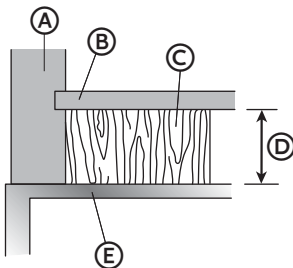
! ADVERTENCIA

Peligro de Peso Excesivo

Use dos o más personas para mover e instalar el horno de microondas.

No seguir esta instrucción puede ocasionar una lesión en la espalda u otro tipo de lesiones.

NOTA: Si el frente del armario cuelga por debajo del estante inferior del armario, se recomienda el uso de bloques de relleno para evitar daños en la carcasa en caso de ajustar demasiado los tornillos.



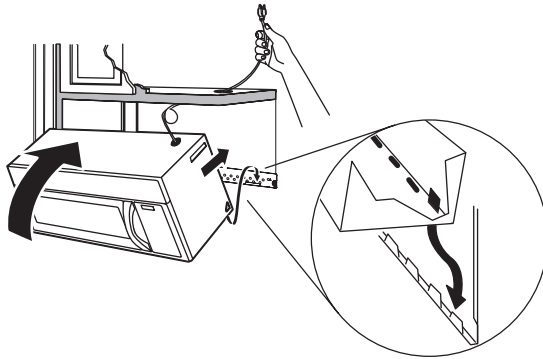
- (A) Frente del armario
- (B) Estante inferior del armario
- (C) Bloque de relleno
- (D) Equivalente a la profundidad del armario empotrado
- (E) Parte superior del horno de microondas

- Pase el cable eléctrico por el orificio de la base del armario suspendido. Mantenga tenso el cable eléctrico mientras instala el horno.

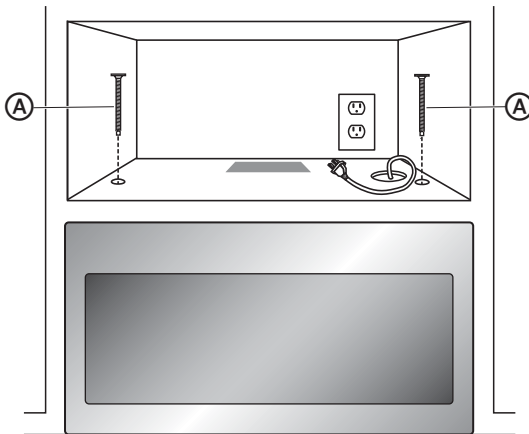
NOTA: Si el armario suspendido es metálico, use el refuerzo dentado de nailon alrededor del orificio del cable eléctrico para evitar que se corte.

- Con la ayuda de dos o más personas, levante el horno de microondas, inclínelo hacia adelante y enganche las ranuras del borde inferior posterior en las cuatro lengüetas inferiores de la placa de montaje.
- Rote el microondas para que la parte superior quede hacia arriba contra la base del armario.

NOTA: Mantenga el cable eléctrico tenso, y no lo aplaste, especialmente cuando instale el horno contra la base del armario.



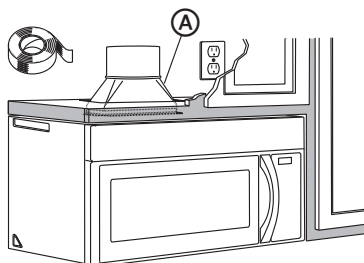
- Inserte los dos tornillos de montaje a través de los orificios en el armario suspendido y en los orificios que se encuentran en la parte superior del horno de microondas. Gire cada tornillo hasta que quede completamente apretado.



- Apriete los dos tornillos por completo mientras sostiene el horno de microondas contra la pared posterior y el armario suspendido.

CONECTE LOS CONDUCTOS

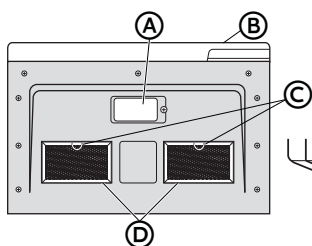
- Extienda el ducto de escape de la casa hacia abajo y, a continuación, conecte el ducto de escape a un adaptador de arranque para campana de cocina (no provisto).
- Selle las uniones del ducto de escape con cinta para ductos de calderas para aplicaciones de altas temperaturas.



(A) Adaptador

INSTALE LOS FILTROS DE GRASA

Filtros de grasa se encuentran en la parte inferior del horno de microondas. Para leer las instrucciones, vea el Manual para el usuario provisto con el horno de microondas.



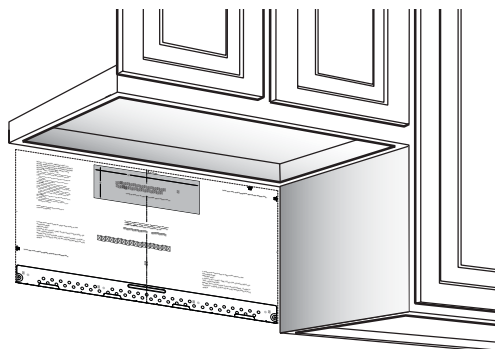
(A) Luces de la superficie
(B) Puerta
(C) Filtros de grasa

MÉTODO B: DUCTO DE ESCAPE POSTERIOR EXTERNO (DUCTO HORIZONTAL)

IMPORTANTE:

- Asegúrese de que los tornillos para el motor del soplador y la placa del soplador estén bien ajustados cuando se vuelven a colocar. Esto ayudará a evitar la vibración excesiva.
- Asegúrese de que el cableado del motor quede orientado y firme de forma adecuada, y que los cables no estén aplastados.

CÓMO CREAR UNA ABERTURA DE ESCAPE EN LA PARED TRASERA

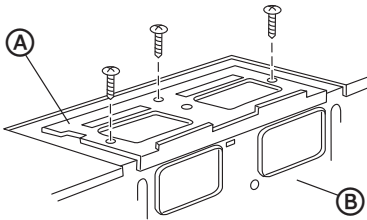


1. Lea las instrucciones de la plantilla de la placa de montaje/pared trasera.
2. Adhiera con cinta la placa de montaje/plantilla a la pared trasera, alinee con los orificios previamente taladrados para los orificios A y B en la placa de pared.

3. Corte la apertura, siguiendo las instrucciones de la plantilla de la pared trasera.

QUITE LA PLACA DEL SOPLADOR

1. Quite el tornillo que sujeta la placa del soplador al horno de microondas.
2. Levante y quite la placa del soplador. Ponga los tornillos a un lado.

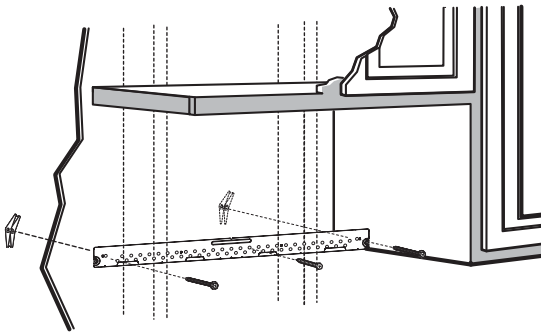


- (A) Placa del ducto de escape
- (B) Parte posterior del horno de microondas

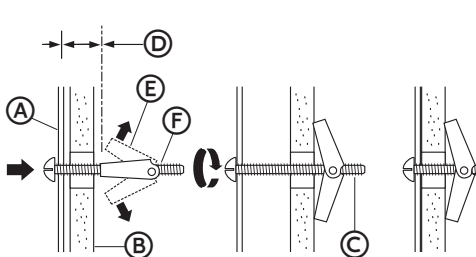
INSTALE LA PLACA DE MONTAJE

NOTA: Debe usarse al menos un tornillo para madera a fin de fijar la placa al pie derecho de pared.

1. Quite las tuercas mariposa de los pernos.
2. Inserte los pernos en la placa de montaje usando los orificios diseñados para introducirse en el panel de yeso y vuelva a colocar las tuercas mariposa en cada perno.



3. Coloque la placa de montaje contra la pared e inserte las tuercas mariposa en los orificios de la pared para instalar la placa.



- (A) Placa de montaje
- (B) Pared
- (C) Extremo del perno
- (D) El espacio para los pernos de ajuste es mayor que el espesor de la pared
- (E) Tuercas mariposa
- (F) Pernos de ajuste

4. Presione de forma pareja la placa de montaje contra la pared. Asegúrese de que la placa de montaje toque la parte inferior de la línea horizontal y que la placa quede centrada debajo del armario.

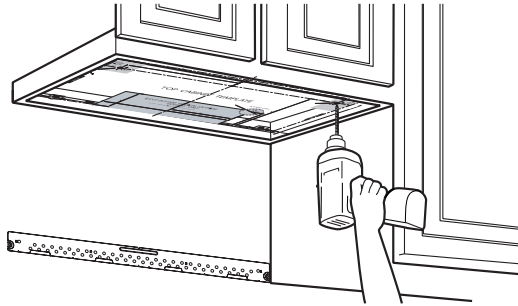
NOTA: Evite aplastarse los dedos entre la parte posterior de la placa de montaje y la pared.

- Ajuste todos los pernos.

NOTA: Aleje la placa de la pared para que pueda ajustarse los pernos.

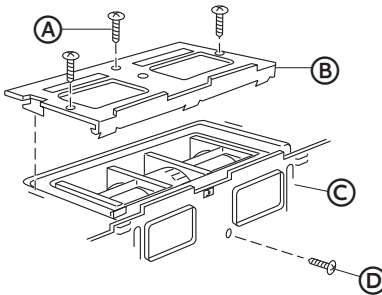
PREPARE EL ARMARIO SUSPENDIDO

- Lea las instrucciones de la plantilla del ARMARIO SUPERIOR, y luego adhiera con cinta la plantilla debajo del armario suspendido.
- Taladre los orificios siguiendo las instrucciones de la plantilla del ARMARIO SUPERIOR.
 - Taladre los orificios para colocar los tornillos de soporte de la parte superior.
 - Taladre un orificio lo suficientemente grande para que pueda pasar el cable eléctrico.
 - Taladre un recorte lo suficientemente grande a fin de colocar el adaptador para el ducto de escape.



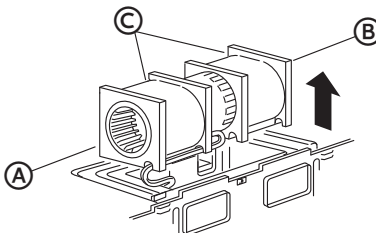
ADAPTE EL SOPLADOR PARA EL DUCTO DE ESCAPE TRASERO EXTERNO

- Quite y guarde el tornillo que sujeta el motor del soplador al horno de microondas.



- (A) Tornillos de la placa de escape (3)
- (B) Placa del ducto de escape
- (C) Parte posterior del horno de microondas
- (D) Tornillo del motor del soplador

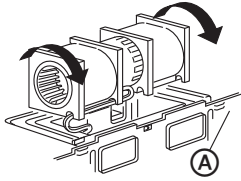
- Jale con cuidado la unidad del soplador. Los cables se extenderán lo suficiente para que pueda ajustar la unidad del soplador.



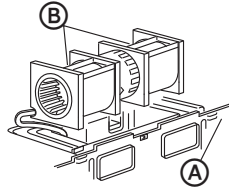
- (A) Extremo A
- (B) Extremo B
- (C) Antes: Aberturas de las aletas del ventilador orientadas hacia adelante

3. Gire la unidad del soplador 90°.

Antes de la rotación



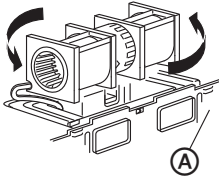
Después de la rotación



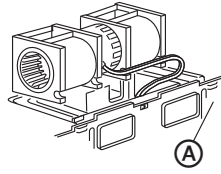
- (A) Parte posterior del horno de microondas
- (B) Aberturas de las aletas del ventilador

4. Gire la unidad del soplador 180° en sentido contrario a las agujas del reloj.

Antes de la rotación



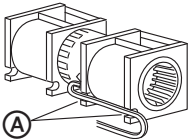
Después de la rotación



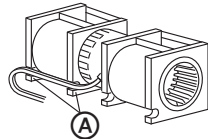
- (A) Parte posterior del horno de microondas

5. Quite cuidadosamente los cables de las ranuras. Vuelva a pasar los cables por las ranuras en el otro lado de la unidad del soplador.

Antes de redireccionamiento



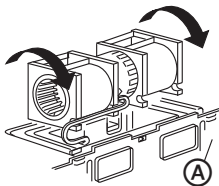
Después de redireccionamiento



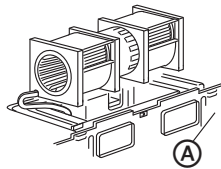
- (A) Ranuras

6. Gire la unidad del soplador 90°, de manera que las aberturas de las aletas del ventilador queden orientadas hacia la parte posterior del horno de microondas.

Antes de rodar

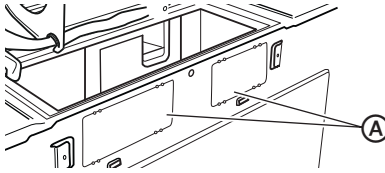


Después del laminado



- (A) Parte posterior del horno de microondas

7. Usando tijeras de corte, quite las placas caladas en la parte posterior de la unidad.

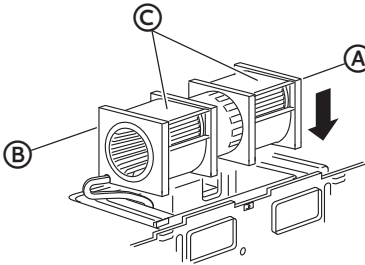


(A) Placas caladas

8. Vuelva a colocar la unidad del soplador en la abertura.

IMPORTANTE:

- Asegúrese de que los cables no estén aplastados y que estén bien firmes.
- Las aberturas de ventilación de la unidad del soplador deben coincidir con las aberturas de ventilación en la parte trasera del horno de microondas.



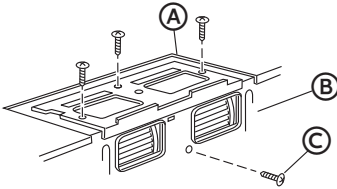
(A) Extremo A

(B) Extremo B

(C) Después: Aberturas de las aletas del ventilador orientadas hacia atrás

9. Con el tornillo del motor del soplador que quitó antes, úselo para colocar de manera firme la unidad del soplador al microondas. Ajuste el tornillo por completo.

10. Con los tres tornillos de la placa del soplador que quitó antes, vuelva a instalar la placa del soplador. Apriete los tornillos por completo.



(A) Placa del ducto de escape

(B) Parte posterior del horno de microondas

(C) Tornillo del motor del soplador

INSTALACIÓN DEL HORNO DE MICROONDAS

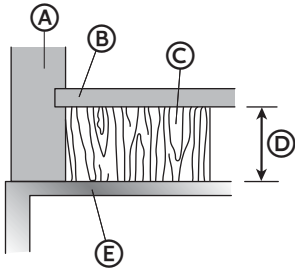
! ADVERTENCIA

Peligro de Peso Excesivo

Use dos o más personas para mover e instalar el horno de microondas.

No seguir esta instrucción puede ocasionar una lesión en la espalda u otro tipo de lesiones.

NOTA: Si el frente del armario cuelga por debajo del estante inferior del armario, se recomienda el uso de bloques de relleno para evitar daños en la carcasa en caso de ajustar demasiado los tornillos.



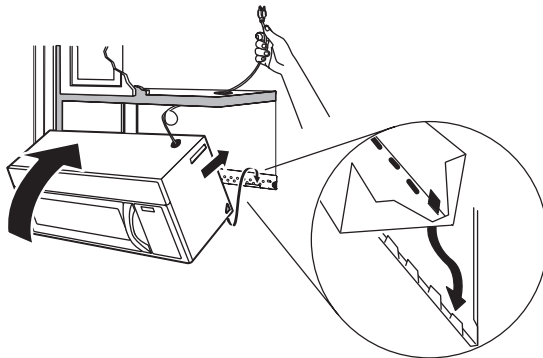
- (A) Frente del armario
- (B) Estante inferior del armario
- (C) Bloque de relleno
- (D) Equivalente a la profundidad del armario empotrado
- (E) Parte superior del horno de microondas

1. Pase el cable eléctrico por el orificio de la base del armario suspendido. Mantenga tenso el cable eléctrico mientras instala el horno.

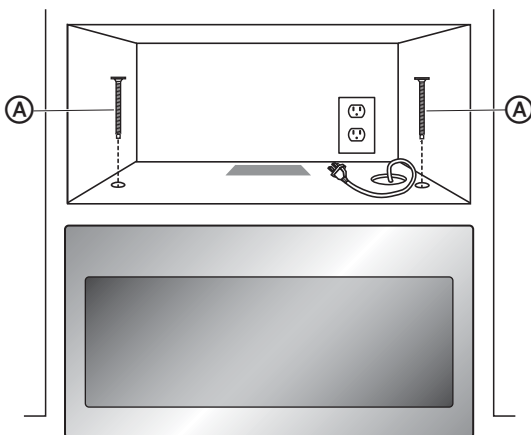
NOTA: Si el armario suspendido es metálico, use el refuerzo dentado de nailon alrededor del orificio del cable eléctrico para evitar que se corte.

2. Con la ayuda de dos o más personas, levante el horno de microondas, inclínelo hacia adelante y enganche las ranuras del borde inferior posterior en las cuatro lengüetas inferiores de la placa de montaje.
3. Rote el microondas para que la parte superior quede hacia arriba contra la base del armario.

NOTA: Mantenga el cable eléctrico tenso, y no lo aplaste, especialmente cuando instale el horno contra la base del armario.



4. Inserte los dos tornillos de montaje a través de los orificios en el armario suspendido y en los orificios que se encuentran en la parte superior del horno de microondas. Gire cada tornillo hasta que quede completamente apretado.



5. Apriete los dos tornillos por completo mientras sostiene el horno de microondas contra la pared posterior y el armario suspendido.

INSTALE LOS FILTROS DE GRASA

Filtros de grasa se encuentran en la parte inferior del horno de microondas. Para leer las instrucciones, vea el Manual para el usuario provisto con el horno de microondas.



- (A) Luces de la superficie
- (B) Puerta
- (C) Filtros de grasa

MÉTODO C - RECIRCULACIÓN (SIN DUCTO Y SIN VENTILACIÓN)

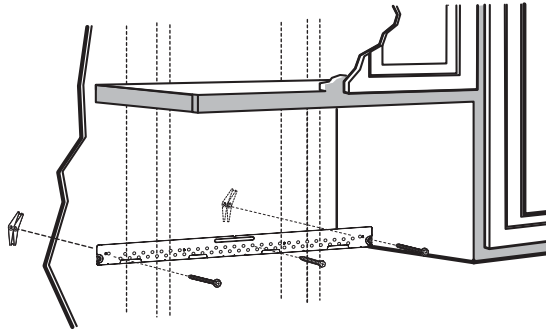
IMPORTANTE:

- Asegúrese de que los tornillos para el motor del soplador y la placa del soplador estén bien ajustados cuando se vuelven a colocar. Esto ayudará a evitar la vibración excesiva.
- Asegúrese de que el cableado del motor quede orientado y firme de forma adecuada, y que los cables no estén aplastados.

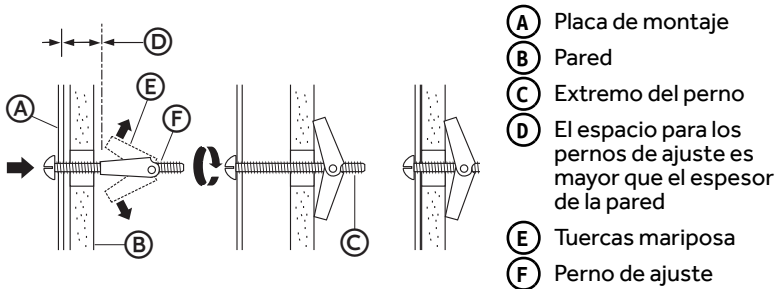
INSTALE LA PLACA DE MONTAJE

NOTA: Debe usarse al menos un tornillo para madera a fin de fijar la placa al pie derecho de pared.

1. Quite las tuercas mariposa de los pernos.
2. Inserte los pernos en la placa de montaje usando los orificios diseñados para introducirse en el panel de yeso y vuelva a colocar las tuercas mariposa en cada perno.



3. Coloque la placa de montaje contra la pared e inserte las tuercas mariposa en los orificios de la pared para instalar la placa.



4. Presione de forma pareja la placa de montaje contra la pared. Asegúrese de que la placa de montaje toque la parte inferior de la línea horizontal y que la placa quede centrada debajo del armario.

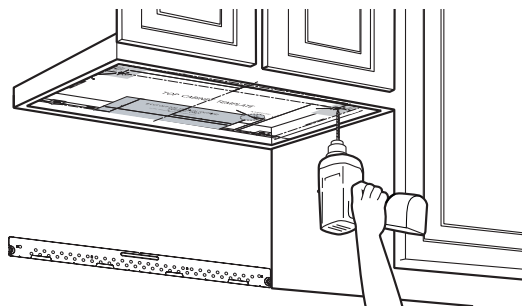
NOTA: Evite aplastarse los dedos entre la parte posterior de la placa de montaje y la pared.

5. Ajuste todos los pernos.

NOTA: Aleje la placa de la pared para que pueda ajustar los pernos.

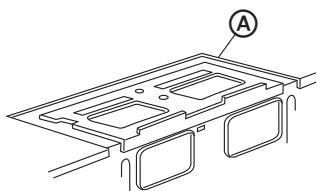
PREPARE EL ARMARIO SUSPENDIDO

1. Lea las instrucciones de la plantilla del ARMARIO SUPERIOR, y luego adhiera con cinta la plantilla debajo del armario suspendido.
2. Taladre los orificios siguiendo las instrucciones de la plantilla del ARMARIO SUPERIOR.
 - Taladre los orificios para colocar los tornillos de soporte de la parte superior.
 - Taladre un orificio lo suficientemente grande para que pueda pasar el cable eléctrico.
 - Taladre un recorte lo suficientemente grande a fin de colocar el adaptador para el ducto de escape.



VERIFIQUE LA PLACA DEL SOPLADOR

1. Coloque el horno de microondas en su posición vertical.
2. Verifique si la placa del soplador está correctamente instalada en el horno de microondas.



A Placa del ducto de escape

INSTALACIÓN DEL HORNO DE MICROONDAS

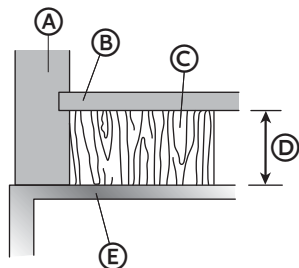
! ADVERTENCIA

Peligro de Peso Excesivo

Use dos o más personas para mover e instalar el horno de microondas.

No seguir esta instrucción puede ocasionar una lesión en la espalda u otro tipo de lesiones.

NOTA: Si el frente del armario cuelga por debajo del estante inferior del armario, se recomienda el uso de bloques de relleno para evitar daños en la carcasa en caso de ajustar demasiado los tornillos.



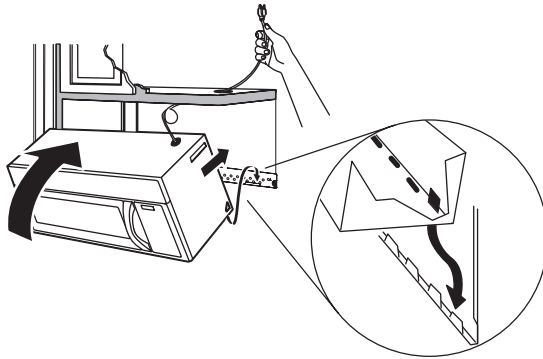
- A** Frente del armario
- B** Estante inferior del armario
- C** Bloque de relleno
- D** Equivalente a la profundidad del armario empotrado
- E** Parte superior del horno de microondas

1. Pase el cable eléctrico por el orificio de la base del armario suspendido. Mantenga tenso el cable eléctrico mientras instala el horno.

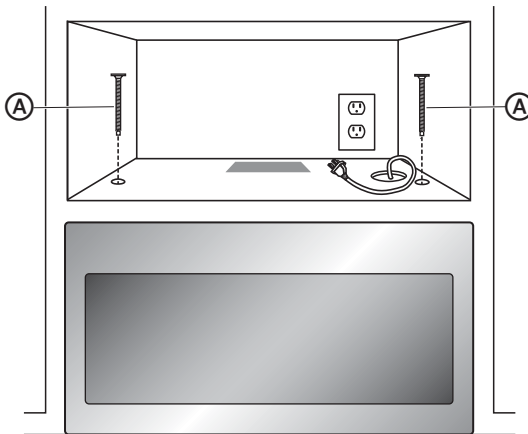
NOTA: Si el armario suspendido es metálico, use el refuerzo dentado de nailon alrededor del orificio del cable eléctrico para evitar que se corte.

2. Con la ayuda de dos o más personas, levante el horno de microondas, inclínelo hacia adelante y enganche las ranuras del borde inferior posterior en las cuatro lengüetas inferiores de la placa de montaje.
3. Rote el microondas para que la parte superior quede hacia arriba contra la base del armario.

NOTA: Mantenga el cable eléctrico tenso, y no lo aplaste, especialmente cuando instale el horno contra la base del armario.



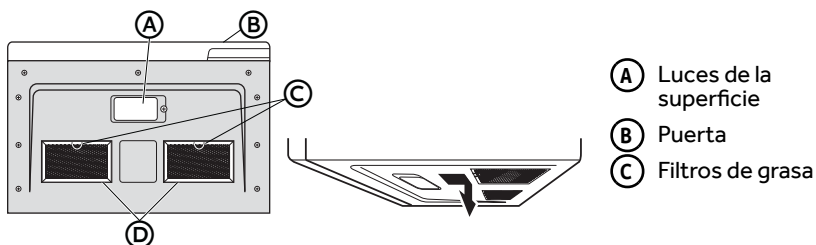
4. Inserte los dos tornillos de montaje a través de los orificios en el armario suspendido y en los orificios que se encuentran en la parte superior del horno de microondas. Gire cada tornillo hasta que quede completamente apretado.



5. Apriete los dos tornillos por completo mientras sostiene el horno de microondas contra la pared posterior y el armario suspendido.

INSTALE LOS FILTROS DE GRASA

Filtros de grasa se encuentran en la parte inferior del horno de microondas. Para leer las instrucciones, vea el Manual para el usuario provisto con el horno de microondas.



PASO 7 - COMPLETE LA INSTALACIÓN

⚠ ADVERTENCIA



Peligro de Choque Eléctrico

Conecte a un contacto de pared de conexión a tierra de 3 terminales.

No quite el terminal de conexión a tierra del cable de alimentación.

No use un adaptador.

No use un cable eléctrico de extensión.

No seguir estas instrucciones puede ocasionar la muerte, incendio o choque eléctrico.

1. Conecte a un contacto de pared de conexión a tierra de 3 terminales.
2. Vuelva a conectar el suministro de energía.
3. Verifique el funcionamiento del horno de microondas colocando 1 taza (250 mL) de agua en la bandeja giratoria y programe un tiempo de cocción de 1 minuto al 100 % de potencia. Haga funcionar el ventilador para probar su funcionamiento y el del ducto de escape.
4. Si el horno de microondas no funciona:
 - Verifique que no se haya fundido un fusible ni disparado un cortacircuitos de la casa. Reemplace el fusible o reposicione el cortacircuitos. Si el problema continúa, llame a un electricista.
 - Verifique que el cable del suministro de energía esté enchufado en un tomacorriente de 3 terminales con conexión a tierra.
 - Vea las Instrucciones para el usuario a fin de obtener información sobre la solución de problemas.
5. Se ha completado la instalación.

IMPORTANT

Do Not Return This Product To The Store
If you have a problem with this product, please contact the
"Haier Customer Satisfaction Center" at
1-877-337-3639.

DATED PROOF OF PURCHASE, MODEL #, AND SERIAL #
REQUIRED FOR WARRANTY SERVICE

IMPORTANT

Ne pas Réexpédier ce Produit au Magasin
Pour tout problème concernant ce produit, veuillez contacter
le service des consommateurs "Haier Customer Satisfaction Center" au
1-877-337-3639.

UNE PREUVE D'ACHAT DATEE EST REQUISE POUR BENEFICIER DE LA GARANTIE.

IMPORTANTE

No regrese este producto a la tienda
Si tiene algún problema con este producto, por favor contacte el
"Centro de Servicio al Consumidor de Haier" al
1-877-337-3639 (Válido solo en E.U.A).
NECESITA UNA PRUEBA DE COMPRA FECHADA, NÚMERO DE MODELO
Y DE SERIE PARA EL SERVICIO DE LA GARANTÍA

Made in China
Fabriqué en Chine
Hecho en China

Haier

Haier America
Wayne, NJ 07470

HMV1472BHS
Issued: August 2016

Printed in China

Part # 0570001268 REV A