

# Haier

User Manual  
Guide de l'utilisateur  
Manual del usuario  
**HMV1472BHS**

**Microwave Oven**

**Four à micro-ondes**

**Horno de microondas**





# TABLE OF CONTENTS

<b>MICROWAVE SAFETY .....</b>	<b>2</b>
Microwave Energy Safety .....	4
Electrical Requirements .....	5
<b>PARTS AND FEATURES .....</b>	<b>6</b>
Specifications .....	7
Turntable .....	7
<b>CONTROL PANEL .....</b>	<b>8</b>
Clock .....	8
Features .....	9
<b>MICROWAVE OVEN USE .....</b>	<b>10</b>
Cookware .....	10
Microwave Cooking .....	10
<b>MICROWAVE OVEN CARE .....</b>	<b>14</b>
Cleaning .....	14
Filters .....	14
Lights .....	17
<b>TROUBLESHOOTING .....</b>	<b>17</b>
<b>LIMITED WARRANTY .....</b>	<b>18</b>
<b>RECORD KEEPING .....</b>	<b>19</b>

## MICROWAVE SAFETY

### Your safety and the safety of others are very important.

We have provided many important safety messages in this manual and on your appliance. Always read and obey all safety messages.



This is the safety alert symbol.

This symbol alerts you to potential hazards that can kill or hurt you and others. All safety messages will follow the safety alert symbol and either the word "DANGER," "WARNING" or "CAUTION."

These words mean:

**⚠ DANGER**

An imminently hazardous situation. You could be killed or seriously injured if you don't immediately follow instructions.

**⚠ WARNING**

A potentially hazardous situation which, if not avoided, could result in death or serious bodily injury.

**⚠ CAUTION**

A potentially hazardous situation which, if not avoided, may result in moderate or minor injury.

All safety messages will tell you what the potential hazard is, tell you how to reduce the chance of injury, and tell you what can happen if the instructions are not followed.

## IMPORTANT SAFETY INSTRUCTIONS

When using electrical appliances basic safety precautions should be followed, including the following:

**WARNING:** To reduce the risk of burns, electric shock, fire, injury to persons, or exposure to excessive microwave energy:

- Read all of the instructions before using this appliance.
- Read and follow the specific "PRECAUTIONS TO AVOID POSSIBLE EXPOSURE TO EXCESSIVE MICROWAVE ENERGY" found in this section.
- The microwave oven must be grounded. Connect only to properly grounded outlet. See "GROUNDING INSTRUCTIONS" found in the "Electrical Requirements" section and in the provided Installation Instructions.
- Install or locate the microwave oven only in accordance with the provided Installation Instructions.
- Microwave is suitable for use above both gas and electric cooking equipment.

# IMPORTANT SAFETY INSTRUCTIONS

- Intended to be used above ranges with maximum width of 36" (91.44 cm).
- Some products such as whole eggs in the shell and sealed containers - for example, closed glass jars - can explode and should not be heated in the microwave oven.
- Use the microwave oven only for its intended use as described in the manual. Do not use corrosive chemicals or vapors in the microwave oven. This type of oven is specifically designed to heat, cook, or dry food. It is not designed for industrial or laboratory use.
- As with any appliance, close supervision is necessary when used by children.
- Do not operate the microwave oven if it has a damaged cord or plug, if it is not working properly, or if it has been damaged or dropped.
- The microwave oven should be serviced only by qualified service personnel. Call an authorized service company for examination, repair, or adjustment.
- Do not cover or block any openings on the microwave oven.
- Do not store or use this microwave oven outdoors. Do not use the microwave oven near water - for example, near a kitchen sink, in a wet basement, near a swimming pool, or similar locations.
- Do not immerse cord or plug in water.
- Keep cord away from heated surfaces.
- Do not let cord hang over edge of table or counter.
- See door surface cleaning instructions in the "Microwave Oven Care" section.

## **To reduce the risk of fire in the oven cavity:**

- Do not overcook food. Carefully attend the microwave oven when paper, plastic, or other combustible materials are placed inside the oven to facilitate cooking.
- Remove wire twist-ties from paper or plastic bags before placing bags in oven.
- If materials inside the oven ignite, keep oven door closed, turn oven off, and disconnect the power cord, or shut off power at the fuse or circuit breaker panel.
- Do not use the cavity for storage purposes. Do not leave paper products, cooking utensils, or food in the cavity when not in use.

## **To reduce the risk of injury to persons:**

- Do not overheat the liquid.
- Liquids, such as water, coffee, or tea can be overheated beyond the boiling point without appearing to be boiling. Visible bubbling or boiling when the container is removed from the microwave oven is not always present. This could result in very hot liquids suddenly boiling over when the container is disturbed or a spoon or other utensil is inserted into the liquid.
- Stir the liquid both before and halfway through heating it.
- Do not use straight-sided containers with narrow necks.

## IMPORTANT SAFETY INSTRUCTIONS

- After heating, allow the container to stand in the microwave oven for a short time before removing the container.
- Use extreme care when inserting a spoon or other utensil into the container.
- Do not store anything directly on top of the microwave oven when the microwave oven is in operation.
- Clean Ventilating Hoods Frequently - Grease should not be allowed to accumulate on hood or filter.
- Use care when cleaning the vent-hood filter. Corrosive cleaning agents, such as lye-based oven cleaners, may damage the filter.
- When flambéing foods under the hood, turn the fan on.

## READ AND SAVE THESE INSTRUCTIONS

### MICROWAVE ENERGY SAFETY

## PRECAUTIONS TO AVOID POSSIBLE EXPOSURE TO EXCESSIVE MICROWAVE ENERGY

- (A) Do not attempt to operate this oven with the door open since open-door operation can result in harmful exposure to microwave energy. It is important not to defeat or tamper with the safety interlocks.
- (B) Do not place any object between the oven front face and the door or allow soil or cleaner residue to accumulate on sealing surfaces.
- (C) Do not operate the oven if it is damaged. It is particularly important that the oven door close properly and that there is no damage to the:
  1. Door (bent),
  2. Hinges and latches (broken or loosened),
  3. Door seals and sealing surfaces.
- (D) The oven should not be adjusted or repaired by anyone except properly qualified service personnel.

## ELECTRICAL REQUIREMENTS

### **⚠ WARNING**



#### **Electrical Shock Hazard**

Plug into a grounded 3 prong outlet.

Do not remove the ground prong from the power cord plug.

Do not use an adapter.

Do not use an extension cord.

Failure to do so can result in death, fire or electrical shock.

Observe all governing codes and ordinances.

#### **Required:**

A 120 volt, 60 Hz, AC only, 15- or 20-amp electrical supply with a fuse or circuit breaker.

#### **Recommended**

A time-delay fuse or time-delay circuit breaker.

A separate circuit serving only this microwave oven.

## **GROUNDING INSTRUCTIONS**

#### **For a grounded, cord-connected microwave:**

The microwave oven must be grounded. In the event of an electrical short circuit, grounding reduces the risk of electric shock by providing an escape wire for the electric current. The microwave oven is equipped with a cord having a grounding wire with a grounding plug. The plug must be plugged into an outlet that is properly installed and grounded.

**WARNING:** Improper use of the grounding plug can result in a risk of electric shock. Consult a qualified electrician or serviceman if the grounding instructions are not completely understood, or if doubt exists as to whether the microwave oven is properly grounded.

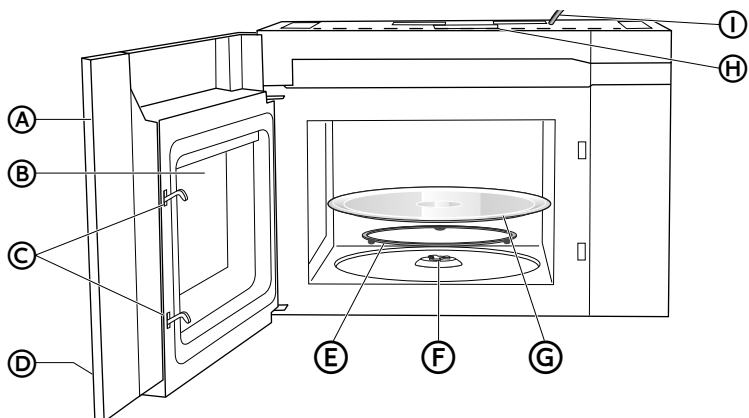
Do not use an extension cord. If the power supply cord is too short, have a qualified electrician or serviceman install an outlet near the microwave oven.

## **READ AND SAVE THESE INSTRUCTIONS**

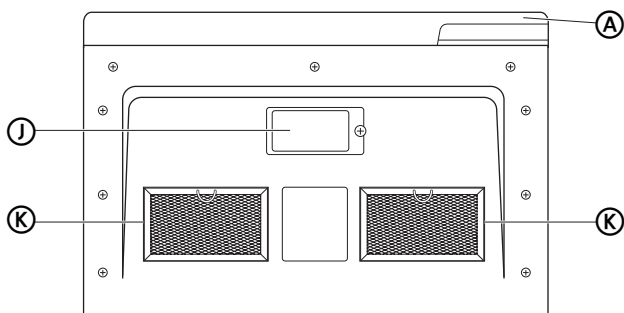
This device complies with Part 18 of the FCC Rules.

## PARTS AND FEATURES

## Front View



## Bottom View



- (A) Door
- (B) Window
- (C) Interlock System
- (D) Control Panel
- (E) Turntable Ring Assembly
- (F) Turntable Coupler

- (G) Glass Turntable
- (H) Top Grille
- (I) Power Cord
- (J) Surface Lights
- (K) Grease Filters




## SPECIFICATIONS

Model number	HMV1472BHS
Rated Voltage	120V~60Hz
Rated Input Power (Microwave)	1500 Watt
Rated Output Power (Microwave)	1000 Watt
Oven Capacity	1.34 cu.ft
Turntable Diameter	13½" (34.3 cm)
External Dimensions (W x D x H)	23½" x 16½" x 17⅛" (59.7 cm x 41.9 cm x 43.5 cm)
Net Weight	52.3 lbs (23.7 kg)
LED Lighting	Service Replacement only

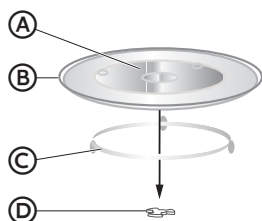
## TURNTABLE





The turntable ring assembly and the glass turntable must be used during cooking.

If you are using large or oblong-shaped cookware that would touch the walls of the microwave when the turntable spins, you can turn off the turntable. Press TURNTABLE. "OFF" and the  icon will appear in the display.



- Assemble the turntable as shown.

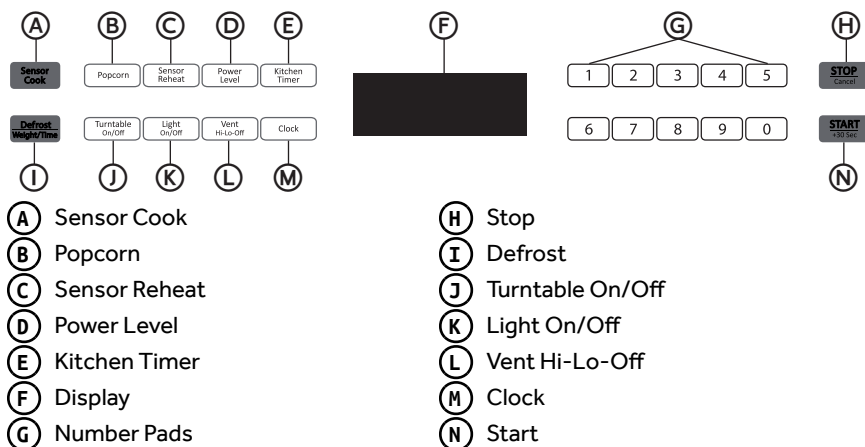


-  Hub (underside)
-  Glass Turntable
-  Turntable Ring Assembly
-  Turntable Coupler

### NOTE:

- Do not place the glass turntable upside down.
- The glass tray should never be restricted.
- Place all food and containers of food on the glass tray for cooking.
- If glass turntable or turntable ring assembly cracks or breaks, contact the Customer Satisfaction Center at 1-877-337-3639 or the parts department at [encompassparts.com](http://encompassparts.com).

# CONTROL PANEL



- A** Sensor Cook
- B** Popcorn
- C** Sensor Reheat
- D** Power Level
- E** Kitchen Timer
- F** Display
- G** Number Pads

- H** Stop
- I** Defrost
- J** Turntable On/Off
- K** Light On/Off
- L** Vent Hi-Lo-Off
- M** Clock
- N** Start

## CLOCK

Your model features a 12-hour clock.

### SET TIME OF DAY

1. Press **CLOCK** to enter the Clock Setting mode. "ENTER TIME" will appear in the display.



2. Press the number pads to enter the correct time-of-day. For example, if the time is 10:12, press number pads "1, 0, 1, 2" to enter the time.



3. Press **START** to confirm the time.

### KITCHEN TIMER

The microwave features a convenient timer for your cooking needs.

1. Press **KITCHEN TIMER**. "ENTER TIME" will appear in the display.



2. Press the number pads to input the desired cooking time.

**NOTE:** The maximum cooking time is 99 minutes and 99 seconds.



3. Press **START** to begin counting down the time.

**NOTE:** When the set time has expired, "END" will appear in the display and three long alert tones will sound.

4. Press STOP to exit the Kitchen Timer function.

## FEATURES

### VENT FAN

The Vent Fan feature allows you to exhaust heat and steam from the cooking surface below.

- Press VENT HI-LO-OFF to Turn On/Off the fan and to regulate the fan speed.

**NOTE:**

- The fan speed cannot be adjusted if the control panel is locked.
- When the control is pressed the first time, "High" appears in the display.

High Speed - Press once

Low Speed - Press twice

Off - Press three times

### SURFACE LIGHTING

The surface light feature illuminates the cooking surface below the microwave oven.

Press LIGHT to toggle among High, Low and Off.

### CHILD LOCKOUT

The Child Lock feature allows you to lock the microwave control panel for easy cleaning or to avoid unintentionally changing the settings or turning on the microwave oven.

**To Lock/Unlock the control panel:**

- Press STOP/CANCEL for 3 seconds. Two beeps will sound to indicate the lock has been activated/deactivated and "LOCKED" or "UNLOCK" will appear in the display.

### STATUS RECALL

The Status Recall feature allows you to check the Time and Power settings during microwave cooking.

- Press POWER LEVEL to display the set power level.
- Press CLOCK to display the time.

## MICROWAVE OVEN USE

**IMPORTANT:** Never operate the microwave without food in the oven cavity; this can damage the magnetron tube or glass turntable. You may wish to leave a cup filled with water inside the oven when it is not in use to avoid damage if the oven is unintentionally turned on.

### COOKWARE

**IMPORTANT:** Tightly closed containers could explode. Closed containers should be opened and plastic pouches should be pierced before cooking.

### MICROWAVE-SAFE

- Browning dish (Sold separately. Follow manufacturer recommendations.)
- Ceramic glass, Glass
- China, Earthenware (Follow manufacturer recommendations.)
- Melamine (Follow manufacturer recommendations.)
- Paper towels, Paper Plates, Napkins (Use non-recycled paper.)
- Plastic wraps, Bags, Covers, Dinnerware, Containers (Follow manufacturer recommendations.)
- Pottery and Clay (Follow manufacturer recommendations.)
- Silicone bakeware (Follow manufacturer recommendations.)
- Wax paper

### NOT MICROWAVE-SAFE

- Metal cookware and bakeware
- Straw or Wicker
- Gold, silver or pewter
- Non-approved meat thermometers, skewers
- Twist ties
- Foil liners, such as sandwich wrappers
- Staples
- Objects with gold or silver trim or with metallic glaze
- Wood

#### To Test Cookware/Dinnerware:

Place dish in microwave oven with 1 cup (250 mL) of water beside it. Program 1 minute of cook time at 100%. If dish becomes hot and the water stays cool, do not use the dish in the microwave oven.

## MICROWAVE COOKING

### TIMED COOKING

1. Press the number pads to set the cooking time. For example, to cook for 10 minutes, press "1,0,0,0" in turn.

#### NOTE:

- The maximum cooking time is 99 minutes and 99 seconds.
- 100% power is the default. If you wish to cook at 100% power, skip steps 2 and 3, and go directly to Step 4.

2. Press POWER LEVEL to activate Power mode.



- Press the number pads or press POWER LEVEL repeatedly to select the desired power level. See "Power Levels" chart later in this section.
- Press START to begin cooking. The time will count down.



**NOTE:** When cooking is finished, an alert tone sounds 3 times and "End" appears in the display.



### Power Levels

Ten power levels are available.

Level	10	9	8	7	6	5	4	3	2	1	0
Power	100%	90%	80%	70%	60%	50%	40%	30%	20%	10%	0%
Display	HI	PL-90	PL-80	PL-70	PL-60	PL-50	PL-40	PL-30	PL-20	PL-10	PL-0

### CONVENIENCE COOKING

- Press START/+ 30 SEC to begin cooking at 100% microwave power for 30 seconds.
- Press START/+ 30 SEC during microwave cooking, to increase the cooking time in 30-second increments.

**NOTE:** The maximum cooking time is 99 minutes and 99 seconds.

- Press number pads from 1 to 9 to start cooking with 100% microwave power for 1 to 9 minutes.

**NOTE:** During Convenience cooking, the microwave power level can be viewed, but not adjusted.

### SENSOR COOK

The Sensor Cook control automatically sets the appropriate cooking time calculated by sensing the moisture level of the food or beverage being cooked.

The Sensor Cook control is programmed to cook the following items: Potato, Fresh Veggies, Frozen Veggies, Bacon, Frozen Dinner, Rice, Frozen Breakfast, and Frozen Pizza.

- Press SENSOR COOK once, "Potato" will appear on the display. Continue to press SENSOR COOK to toggle among the choices. When the desired item appears in the display, press START to confirm and begin cooking.



- Once Start is pressed, the Sensing process begins. When the Sensing process is completed, alert tones will sound and the calculated cook time will begin to count down.

**NOTE:** Do not open the door during the Sensing process. If you do, the Sensor Cook program will be cancelled.

## Sensor Cook Programs

Program	Item	Quantity
1	Baked Potato	1 - 4 potatoes
2	Fresh Vegetable	2 cups
3	Frozen Vegetable	2 cups
4	Bacon	1 - 3 slices
5	Frozen Dinner	10 to 20 oz.
6	Rice	1 - 2 cups
7	Frozen Breakfast	8 to 12 oz.
8	Frozen Pizza	12 oz.

## DEFROST

The Defrost control allows you to choose to defrost by weight or by time.

### Defrost by Weight

1. Press DEFROST once. "Weight" will appear on the display.



2. Press START. "Enter Weight" will appear on the display, and "lb" will flash.
3. Press the number pads to enter the weight of the item to be defrosted. For example, if the food weight is 1.2 lbs, press "1" and then "2" to input the weight.

**NOTE:** The maximum weight that will be accepted is 6.0 Lbs.

4. Press START to begin defrosting. Indicator "lb" will not be lit.

### Defrost By Time

1. Press DEFROST twice. "Time" will appear on the display.



2. Press START. "Enter Time" will appear on the display.
3. Press the number pads to enter the time to defrost. For example, if you want the food to defrost for 5 minutes, press "5" and then "0" to input the time.

**NOTE:** The maximum time that will be accepted is 99 minutes and 99 seconds.

4. Press START to begin defrosting.

**NOTE:** When half of the total defrost time has passed, an alert tone will sound twice to remind you to turn the food over.

## SENSOR REHEAT

The Sensor Reheat control automatically sets the appropriate reheating time calculated by sensing the moisture level of the food or beverage being reheated.

The Sensor Reheat control is programmed to reheat the following items: Beverage, Dinner Plate, Pizza, Soup/Sauce and Casserole.

- Press SENSOR REHEAT once, "BEVERAGE" will appear on the display. Continue to press SENSOR REHEAT to toggle among the choices. When the desired item appears in the display, press START to confirm and begin reheating.



- Once Start is pressed, the Sensing process begins. When the Sensing process is completed, alert tones will sound and the calculated reheat time will begin to count down.

**NOTE:** Do not open the door during the Sensing process. If you do, the Sensor Cook program will be cancelled.

### Sensor Reheat Programs

Program	Item	Quantity
1	Beverage	1 to 3 cups
2	Dinner Plate	1 plate
3	Pizza	1 to 4 slices
4	Soup/Sauce	1 cup
5	Casserole/Lasagna	10.5 oz.

### POPCORN

The popcorn control is programmed to pop microwave popcorn based on the size of the bag.

1. Press POPCORN to toggle among the bag sizes.



- Press 1 time: To pop a 3.3 ounce bag of popcorn.
  - Press 2 times: To pop a 3.0 ounce bag of popcorn.
  - Press 3 times: To pop a 1.75 ounce bag of popcorn.
2. Press START to confirm selection and begin cooking. The popping time will appear on the display.

## MICROWAVE OVEN CARE

### CLEANING

#### **WARNING**



##### **Electrical Shock Hazard**

Disconnect power before cleaning.

Failure to do so can result in death or electrical shock.

#### **IMPORTANT:**

- Before cleaning, make sure all controls are off and the microwave oven is cool. Always follow label instructions on cleaning products.
  - To avoid damage to the microwave oven caused by arcing due to soil buildup, keep the oven cavity, top grille and the area where the door touches the oven frame clean.
1. Using a warm water and mild soap solution and a soft cloth or sponge, clean the oven cavity, frame and oven exterior.
  2. Rinse with clean warm water and dry with a soft cloth.

#### **NOTE:**

- Do not use scouring powder or rough scouring pads on the microwave.
- The glass turntable may be washed and dried in the dishwasher.
- For stainless steel models, a stainless steel cleaner may be used on the exterior.

### FILTERS

#### **WARNING**



##### **Electrical Shock Hazard**

Disconnect power before servicing.

Replace all parts and panels before operating.

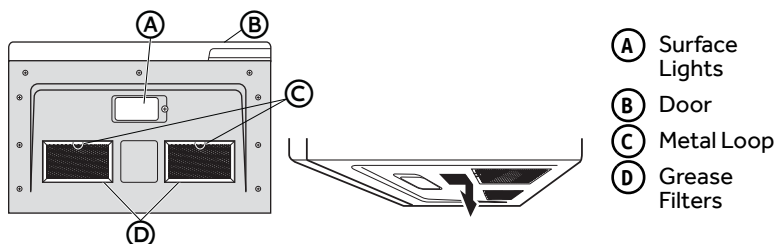
Failure to do so can result in death or electrical shock.



## GREASE FILTER(S)

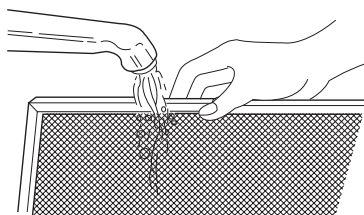
Grease filters are located on the underside of microwave oven. The grease filters should be removed and cleaned often; generally at least once every month.

1. Remove the grease filter. Grasp the metal ring, slide the filter toward the back, and then gently pull the filter downward. Repeat for the second filter.



2. Soak the grease filters in hot water with a mild detergent added. Rinse well and shake to dry.

**NOTE:** Do not use ammonia or wash in a dishwasher. The aluminum on the filter will corrode and darken.



3. Reinstall the grease filter. Insert the back edge of the filter into the opening, and then gently push the filter up into place. Repeat for the second filter.

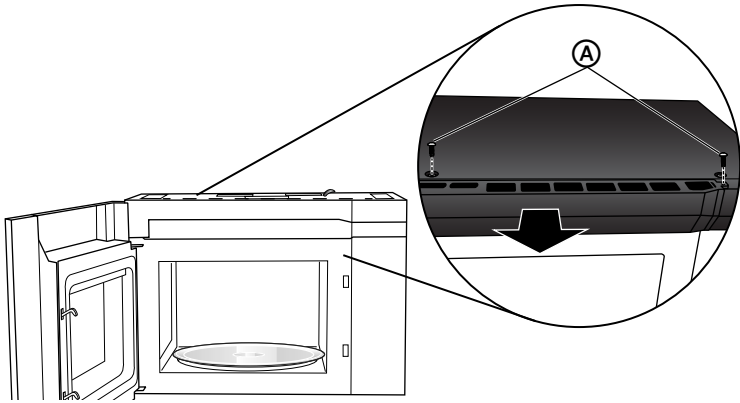


## CHARCOAL FILTER

**IMPORTANT:** A charcoal filter must be installed in the microwave oven when it is used in a non-vented (recirculating) installation. Your microwave oven comes from the factory with the charcoal filter installed.

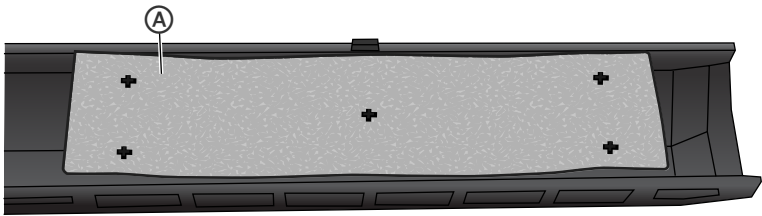
The charcoal filter cannot be cleaned, so it must be replaced at least every 6 months or more often depending on use. To order a replacement charcoal filter for your model, contact the Customer Satisfaction Center. See "Back Cover" for contact information.

1. Unplug or disconnect power.
2. Using a Phillips screwdriver, remove screws from the top grille.
3. Open the microwave door so you can grasp the top grille, and then pull the grille straight out to remove.



(A) Screws (2)

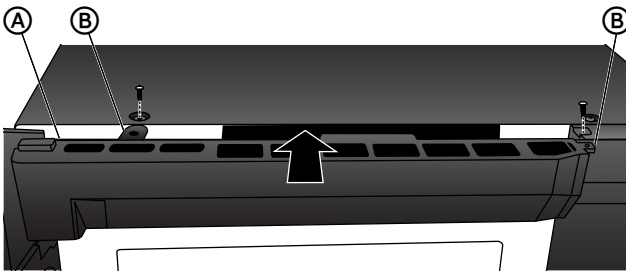
4. Remove the used charcoal filter from the back of the grille, and then discard the filter.
5. Align the holes in the new charcoal filter with the five posts on the back of the grille, and gently press down to attach.



(A) Charcoal Filter

6. Align the top edge of the grille so that when the grille is pushed into place the screw hole tabs on the grille will align with the holes in the microwave cabinet. Gently push on the grille until it snaps into place and the screw holes are aligned.

**NOTE:** Make sure that the wire harness, located near the door hinge, is not pinched when you are replacing the top grille.



(A) Wire Harness (not shown)  
 (B) Screw Hole Tab (2)

7. Replace the two screws removed earlier, and completely tighten the screws.

## LIGHTS

**IMPORTANT:** Your microwave oven features LED interior lighting as well as LED surface lighting. These lights are designed to last for the life of your microwave oven. However, if the lights stop illuminating, please contact a qualified technician for replacement or the Customer Satisfaction Center for service. See the back cover for contact information.

## TROUBLESHOOTING

First try the solutions suggested here to possibly avoid the cost of a service call.

PROBLEM	POSSIBLE CAUSE(S)	SOLUTION
<b>Oven will not start</b>	Oven power cord is not plugged into an electrical outlet.	Plug into a grounded 3 prong outlet.
	Door is open.	Close the door and try again.
	Wrong operation is set.	Check instruction.
<b>Arcing or sparking</b>	Materials to be avoided in microwave oven are used.	Use microwave-safe cookware only.
	The oven is operated when empty.	Do not operate with oven empty.
	Spilled food remains in the oven cavity.	Clean oven cavity with a damp cloth and dry thoroughly. See "Cleaning."
<b>Unevenly cooked foods</b>	Materials to be avoided in microwave oven are used.	Use microwave-safe cookware only.
	Food is not defrosted completely.	Completely defrost food.
	Cooking time, power level is not suitable.	Use correct cooking time, power level.
	Food is not turned or stirred.	Turn or stir food.
<b>Overcooked foods</b>	Cooking time, power level is not suitable.	Use correct cooking time, power level.
<b>Undercooked foods</b>	Materials to be avoided in microwave oven are used.	Use microwave-safe cookware only.
	Food is not defrosted completely.	Completely defrost food.
	Oven ventilation ports are restricted.	Check to see that oven ventilation ports are not restricted.
	Cooking time, power level is not suitable.	Use correct cooking time, power level.

PROBLEM	POSSIBLE CAUSE(S)	SOLUTION
<b>Improper defrosting</b>	Materials to be avoided in microwave oven are used.	Use microwave-safe cookware only.
	Cooking time, power level is not suitable.	Use correct cooking time, power level.
	Food is not turned or stirred.	Turn or stir food.

**FOR MORE HELP, VISIT [HAIERAMERICA.COM](http://HAIERAMERICA.COM) OR CALL THE CONSUMER HELP LINE AT 1-877-337-3639.**

## LIMITED WARRANTY

### IN-HOME SERVICE

#### FULL ONE YEAR WARRANTY

For 12 months from the date of original retail purchase, Haier will repair or replace any part free of charge including labor that fails due to a defect in materials or workmanship.

Haier may replace or repair at their sole discretion any part or subsystem including the entire product.

Product must be accessible, without encumbrance and installed properly to receive warranty repair service.

#### LIMITED WARRANTY

**NOTE:** This warranty commences on the date the item was purchased, and the original purchase receipt must be presented to the authorized service representative before warranty repairs are rendered.

**Exceptions:** Commercial Use Warranty

**90 days labor from date of original purchase**

**90 days parts from date of original purchase**

**No other warranty applies.**

#### FOR WARRANTY SERVICE

All service must be performed by a Haier authorized service center. For the name and telephone number of the nearest authorized service center, please call 1-877-337-3639.

Before calling please have available the following information:

Model number and serial number of your appliance. The name and address of the dealer you purchased the unit from and the date of purchase.

A clear description of the problem.

A proof of purchase (sales receipt).

**This warranty covers home appliance services within the contiguous United States and Canada and where available in Alaska, Hawaii and Puerto Rico.**

#### What is not covered by this warranty:

Replacement or repair of household fuses, circuit breakers, wiring or plumbing.

A product whose original serial number has been removed or altered.

Any service charges not specifically identified as normal such as normal service area or hours.

Damage incurred in shipping.

Damage caused by improper installation or maintenance.

Damage from misuse, abuse accident, fire, flood, or acts of nature.

Damage from service other than an authorized Haier dealer or service center.

Damage from incorrect electrical current, voltage or supply.

Damage resulting from any product modification, alteration or adjustment not authorized by Haier.

Adjustment of consumer operated controls as identified in the owner's manual.

Hoses, knobs, lint trays and all attachments, accessories and disposable parts.

Labor, service transportation, and shipping charges for the removal and replacement of defective parts beyond the initial 12-month period.

Damage from other than normal household use.

Any transportation and shipping charges.

**THIS LIMITED WARRANTY IS GIVEN IN LIEU OF ALL OTHER WARRANTIES, EXPRESSED OR, INCLUDING THE WARRANTIES OF MERCHANTABILITY AND FITNESS FOR A PARTICULAR PURPOSE**

The remedy provided in this warranty is exclusive and is granted in lieu of all other remedies.

This warranty does not cover incidental or consequential damages, so the above limitations may not apply to you. Some states do not allow limitations on how long an implied warranty lasts, so the above limitations may not apply to you.

This warranty gives you specific legal rights, and you may have other rights, which vary from state to state.

Haier America  
Wayne, NJ 07470

## RECORD KEEPING

Thank you for purchasing this Haier product. This user manual will help you get the best performance from your new microwave.

For future reference, record the model and serial number located on the inside frame of the microwave, and the date of purchase.

Staple your proof of purchase to this manual to aid in obtaining warranty service if needed.

\_\_\_\_\_

Model number

\_\_\_\_\_

Serial number

\_\_\_\_\_

Date of purchase

# TABLE DES MATIÈRES

<b>SÉCURITÉ DE FOUR À MICRO-ONDES</b> .....	<b>21</b>
La sécurité énergétique de micro-ondes .....	24
Spécifications électriques .....	24
<b>PIÈCES ET CARACTÉRISTIQUES</b> .....	<b>26</b>
Caractéristiques .....	27
Plateau tournant .....	27
<b>TABLEAU DE COMMANDE</b> .....	<b>28</b>
Horloge .....	28
Caractéristiques .....	29
<b>UTILISATION DU FOUR À MICRO-ONDES</b> .....	<b>30</b>
Ustensile de cuisson .....	30
Cuisson au micro-ondes .....	30
<b>ENTRETIEN DU FOUR À MICRO-ONDES</b> .....	<b>34</b>
Nettoyage .....	34
Filtres .....	35
Éclairage .....	37
<b>DÉPANNAGE</b> .....	<b>37</b>
<b>GARANTIE LIMITÉE</b> .....	<b>39</b>
<b>DOCUMENTS À CONSERVER</b> .....	<b>40</b>

## SÉCURITÉ DE FOUR À MICRO-ONDES

### Votre sécurité et celle des autres est très importante.

Nous donnons de nombreux messages de sécurité importants dans ce manuel et sur votre appareil ménager. Assurez-vous de toujours lire tous les messages de sécurité et de vous y conformer.



Voici le symbole d'alerte de sécurité.

Ce symbole d'alerte de sécurité vous signale les dangers potentiels de décès et de blessures graves à vous et à d'autres. Tous les messages de sécurité suivront le symbole d'alerte de sécurité et le mot "DANGER", "AVERTISSEMENT" ou "ATTENTION".

Ces mots signifient :

**⚠ DANGER**

Une situation de danger imminent. Vous courez le risque d'un décès ou de blessures graves si vous ne suivez pas immédiatement les instructions.

**⚠ AVERTISSEMENT**

Une situation potentiellement dangereuse qui, si vous ne l'évitez pas, peut provoquer la mort ou des blessures graves.

**⚠ ATTENTION**

Une situation potentiellement dangereuse qui, si vous ne l'évitez pas, peut entraîner des blessures légères à modérées.

Tous les messages de sécurité vous diront quel est le danger potentiel et comment réduire le risque de blessure et ce qui peut se produire en cas de non-respect des instructions.

## IMPORTANTES INSTRUCTIONS DE SÉCURITÉ

Lors de l'utilisation de tout appareil ménager électrique on doit observer certaines précautions de sécurité fondamentales, dont les suivantes :

**AVERTISSEMENT** : Pour réduire le risque de brûlures, de choc électrique, d'incendie, de blessures et l'exposition excessive à l'énergie des micro-ondes :

- Lire toutes les instructions avant d'utiliser cet appareil.
- Lire et observer spécifiquement les "PRÉCAUTIONS À SUIVRE POUR ÉVITER TOUTE EXPOSITION POSSIBLE À UN EXCÈS D'ÉNERGIE DES MICRO-ONDES" de cette section.

# IMPORTANTES INSTRUCTIONS DE SÉCURITÉ

- Le four à micro-ondes doit être relié à la terre. Brancher sur une prise correctement reliée à la terre uniquement. Consulter les "INSTRUCTIONS DE MISE À LA TERRE" de la section "Spécifications électriques" et dans les instructions d'installation fournies.
- N'installer et ne choisir l'emplacement du four à micro-ondes qu'en conformité avec les instructions d'installation fournies.
- Le four à micro-ondes peut être utilisé au-dessus d'un appareil de cuisson fonctionnant aussi bien au gaz qu'à l'électricité.
- Il est destiné à être utilisé au-dessus de hottes d'une largeur maximale de 36" (91,44 cm).
- Certains produits tels que les œufs entiers dans leur coquille et les récipients hermétiques (p. ex. les bocaux en verre fermés) peuvent exploser et ne doivent pas être chauffés au four à micro-ondes.
- Utiliser le four à micro-ondes uniquement dans le cadre de l'usage auquel il est destiné tel que décrit dans le présent manuel. Ne pas utiliser de produits chimiques corrosifs ou dégageant des vapeurs dans le four à micro-ondes. Ce type de four est spécialement conçu pour chauffer, cuire ou sécher des aliments. Il n'est pas conçu pour une utilisation à des fins industrielles ou en laboratoire.
- Comme pour tout appareil ménager, une surveillance étroite est nécessaire lorsqu'il est utilisé par des enfants.
- Ne pas faire fonctionner le four à micro-ondes si la prise ou le câble est endommagé(e), si l'appareil ne fonctionne pas correctement, s'il est tombé par terre ou a été endommagé.
- Seul du personnel d'entretien qualifié est habilité à effectuer une intervention de réparation sur le four à micro-ondes. Contacter le centre de service agréé le plus proche pour examen, réparation ou réglage.
- Ne pas couvrir ou obstruer toute ouverture du four à micro-ondes.
- Ne pas remiser ou utiliser ce four à micro-ondes à l'extérieur. Ne pas utiliser le four à micro-ondes à proximité de l'eau (p. ex. près d'un évier de cuisine, dans un sous-sol humide, à proximité d'une piscine ou dans des endroits similaires).
- Ne pas immerger le cordon ou la prise dans l'eau.
- Garder le cordon à l'écart de toute surface chaude.
- Ne pas laisser le cordon pendre par-dessus le bord d'une table ou d'un plan de travail.
- Voir les instructions de nettoyage de la surface de la porte dans la section "Entretien du four à micro-ondes".

## **Pour réduire le risque d'incendie dans la cavité du four :**

- Ne pas faire cuire les aliments excessivement. Surveiller attentivement le four à micro-ondes si du papier, du plastique ou d'autres matériaux combustibles sont placés à l'intérieur du four pour faciliter la cuisson.
- Retirer les liens torsadés en fil de fer des sacs en papier ou en plastique avant de placer les sacs dans le four.



# IMPORTANTES INSTRUCTIONS DE SÉCURITÉ

- Si des matériaux placés à l'intérieur du four prennent feu, garder la porte du four fermée, éteindre le four et débrancher le cordon d'alimentation ou interrompre l'alimentation électrique au niveau du tableau de distribution (fusible ou disjoncteur).
- Ne pas utiliser la cavité du four pour remisage. Ne pas laisser de produits en papier, d'ustensiles de cuisson ou d'aliments dans la cavité lorsque le four n'est pas utilisé.

## **Afin de réduire le risque de blessures corporelles :**

- Ne pas surchauffer de liquide.
- Les liquides tels que l'eau, le café ou le thé peuvent surchauffer au-delà du point d'ébullition sans qu'ils paraissent bouillir. On ne remarque pas toujours des bulles ou des bouillonnements visibles lorsque le récipient est retiré du four à micro-ondes. Cela pourrait entraîner un débordement de liquide bouillant lorsque le récipient est bousculé ou lors de l'insertion d'une cuillère ou d'un autre ustensile dans le liquide.
- Remuer le liquide avant le réchauffage et à mi-réchauffage.
- Ne pas utiliser de récipient à parois droites à col étroit.
- Après réchauffage, laisser le récipient reposer un court instant dans le four à micro-ondes avant de le sortir.
- Faire très attention lors de l'insertion d'une cuillère ou d'un autre ustensile dans le récipient.
- Ne rien remiser directement au-dessus du four à micro-ondes lorsque celui-ci fonctionne.
- Nettoyer fréquemment la hotte d'aspiration, la graisse ne doit pas s'accumuler sur la hotte ou le filtre.
- Nettoyer le filtre de la hotte d'aspiration avec précaution. Des agents de nettoyage corrosifs tels que les nettoyeurs à four à base de soude peuvent endommager le filtre.
- Lors du flambage d'aliments sous la hotte, mettre en marche le ventilateur.

## LIRE ET CONSERVER CES INSTRUCTIONS

## LA SÉCURITÉ ÉNERGÉTIQUE DE MICRO-ONDES

# PRÉCAUTIONS CONTRE LE RISQUE D'EXPOSITION EXCESSIVE À L'ÉNERGIE DES MICRO-ONDES

- (A) Ne pas tenter de faire fonctionner ce four lorsque la porte est ouverte, car ceci pourrait susciter une exposition dangereuse à l'énergie des micro-ondes. Il est important de ne pas entraver le fonctionnement correct du dispositif de verrouillage de sécurité.
- (B) Ne pas placer d'objet entre la surface avant du four et la porte, et ne jamais laisser des souillures ou résidus de produits de nettoyage s'accumuler sur les surfaces d'étanchéité.
- (C) Ne pas faire fonctionner le four lorsqu'il est endommagé. Il est particulièrement important que la porte du four ferme convenablement et que les composants suivants ne soient pas endommagés:
  1. Porte (déformation),
  2. Charnières et dispositif de verrouillage (brisés ou desserrés),
  3. Joints de porte et surfaces d'étanchéité.
- (D) Seul un personnel d'entretien qualifié est habilité à exécuter des réparations ou réglages sur cet appareil.

## SPÉCIFICATIONS ÉLECTRIQUES

### AVERTISSEMENT



#### Risque de choc électrique

Brancher sur une prise à 3 alvéoles reliée à la terre.

Ne pas enlever la broche de liaison à la terre du cordon d'alimentation.

Ne pas utiliser un adaptateur.

Ne pas utiliser un câble de rallonge.

Le non-respect de cette instruction pourrait causer un décès, un incendie ou un choc électrique.

Observer les dispositions de tous les codes et règlements en vigueur.

**Exigences :**

Une alimentation électrique de 120 volts, 60 Hz, CA seulement, 15 ou 20 A, protégée par fusibles ou disjoncteur.

**Recommandation :**

Un fusible temporisé ou un disjoncteur temporisé.

Un circuit distinct exclusif à ce four à micro-ondes.

## INSTRUCTIONS DE LIAISON À LA TERRE

**Pour un four à micro-ondes reliée à la terre et connectée par un cordon :**

Il faut que le four à micro-ondes soit relié à la terre. En cas de court-circuit électrique, la liaison à la terre réduit le risque de choc électrique car le courant électrique dispose d'un itinéraire direct d'acheminement à la terre. Le four à micro-ondes est doté d'un cordon de courant électrique qui comporte un fil de liaison à la terre, avec broche de liaison à la terre. On doit brancher la fiche sur une prise de courant convenablement installée et reliée à la terre.

**AVERTISSEMENT :** L'utilisation incorrecte du dispositif de liaison à la terre peut susciter un risque de choc électrique. L'utilisateur qui ne comprend pas bien les instructions de liaison à la terre, ou qui n'est pas certain que le four à micro-ondes soit convenablement relié à la terre, devrait consulter un électricien ou un technicien qualifié.

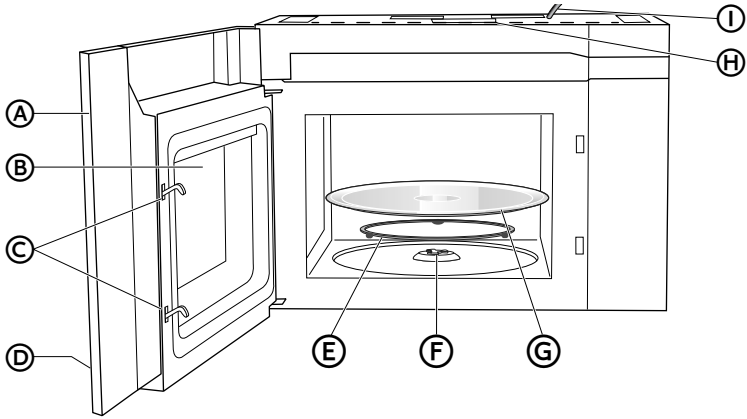
Ne pas utiliser un câble de rallonge. Si le cordon de courant électrique est trop court, demander à un électricien ou un technicien qualifié d'installer une prise de courant à proximité du four à micro-ondes.

## LIRE ET CONSERVER CES INSTRUCTIONS

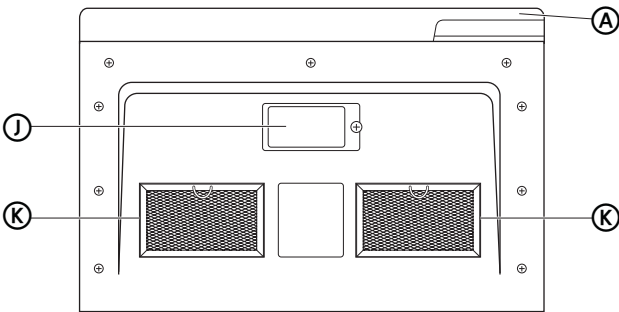
Cet appareil est conforme à la norme FCC, Partie 18.

# PIÈCES ET CARACTÉRISTIQUES

## Vue de l'avant



## Vue du bas




- |                                       |                                |
|---------------------------------------|--------------------------------|
| <b>A</b> Porte                        | <b>G</b> [en] Glass Turntable  |
| <b>B</b> Hublot                       | <b>H</b> [en] Top Grille       |
| <b>C</b> Système de verrouillage      | <b>I</b> Cordon d'alimentation |
| <b>D</b> Tableau de commande          | <b>J</b> Lampes de surface     |
| <b>E</b> Anneau du plateau tournant   | <b>K</b> Filtres à graisse     |
| <b>F</b> Coupleur du plateau tournant |                                |

## CARACTÉRISTIQUES

Numéro de modèle	HMV1472BHS
Tension nominale	120 V / 60 Hz
Puissance d'entrée nominale (micro-ondes)	1500 watts
Puissance de sortie nominale (micro-ondes)	1000 watts
Capacité du four	1,34 pied cube (38 L)
Diamètre du plateau rotatif	13½" (34,3 cm)
Dimensions externes : (larg. x profondeur x haut.)	23½" x 16½" x 17⅛" (59,7 cm x 41,9 cm x 43,5 cm)
Poids net	52,3 lb (23,7 kg) environ
[en] LED Lighting	[en] Service Replacement only

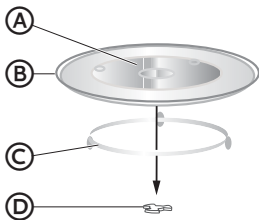
## PLATEAU TOURNANT

[en] The turntable ring assembly and the glass turntable must be used during cooking.

[en] If you are using large or oblong-shaped cookware that would touch the walls of the microwave when the turntable spins, you can turn off the turntable. Press TURNTABLE. "OFF" and the  icon will appear in the display.



- [en] Assemble the turntable as shown.



- (A) Moyeu (dessous)
- (B) [en] Glass Turntable
- (C) Anneau du plateau tournant
- (D) Coupleur du plateau tournant

### REMARQUE :

- Ne pas placer le plateau tournant à l'envers.
- La rotation du plateau en verre ne doit jamais être bloquée.
- Pour la cuisson, placer tous les aliments et les récipients d'aliments sur le plateau en verre.
- [en] If glass turntable or turntable ring assembly cracks or breaks, contact the Customer Satisfaction Center at 1-877-337-3639 or the parts department at [encompassparts.com](http://encompassparts.com).

# TABLEAU DE COMMANDE



**(A)** [en] Sensor Cook

**(B)** [en] Popcorn

**(C)** [en] Sensor Reheat

**(D)** Niveau de puissance

**(E)** Minuterie de cuisine

**(F)** Affichage

**(G)** Touches numériques

**(H)** [en] Stop

**(I)** Conv (Décongélation)

**(J)** [en] Turntable On/Off

**(K)** [en] Light On/Off

**(L)** [en] Vent Hi-Lo-Off

**(M)** Horloge

**(N)** [en] Start

## HORLOGE

Votre modèle est équipé d'une horloge de 12 heures.

### RÉGLAGE DE L'HEURE DU JOUR

1. [en] Press CLOCK to enter the Clock Setting mode. "ENTER TIME" will appear in the display.



2. Appuyer sur les touches numériques pour entrer l'heure correcte. Par exemple, si l'heure actuelle est 10 h 12, appuyer sur les touches numériques "1, 0, 1, 2" pour entrer l'heure.



3. [en] Press START to confirm the time.

### MINUTERIE DE CUISINE

[en] The microwave features a convenient timer for your cooking needs.

1. [en] Press KITCHEN TIMER. "ENTER TIME" will appear in the display.



2. Appuyer sur les touches numériques pour entrer la durée de cuisson désirée.

**REMARQUE :** La durée de cuisson maximum est de 99 minutes et 99 secondes.



3. [en] Press START to begin counting down the time.

**REMARQUE :** [en] When the set time has expired, "END" will appear in the display and three long alert tones will sound.



4. [en] Press STOP to exit the Kitchen Timer function.

## CARACTÉRISTIQUES

### VENT FAN (VENTILATEUR D'ÉVACUATION)

[en] The Vent Fan feature allows you to exhaust heat and steam from the cooking surface below.

- Appuyer sur VENT FAN HI/LOW/OFF (ventilateur d'évacuation avec réglages élevé/bas/éteint) pour allumer ou étendre le ventilateur et régler sa vitesse.

**REMARQUE :**

- [en] The fan speed cannot be adjusted if the control panel is locked.
- [en] When the control is pressed the first time, "High" appears in the display.



[en] High Speed - Press once

[en] Low Speed - Press twice

[en] Off - Press three times

### LAMPE DE SURFACE

[en] The surface light feature illuminates the cooking surface below the microwave oven.

[en] Press LIGHT to toggle among High, Low and Off.

### VERROUILLAGE ENFANTS

La fonction de verrouillage enfant permet de verrouiller le tableau de commande du micro-ondes pour faciliter le nettoyage ou éviter de modifier les réglages ou de mettre en marche le four accidentellement.

**Pour verrouiller/déverrouiller le tableau de commande :**

- Appuyer sur STOP/CANCEL (arrêter/XX) pendant 3 secondes. Deux signaux sonores retentissent pour indiquer que le verrouillage a été activé ou désactivé[en].



### RAPPEL DE STATUT

La fonction de rappel de statut permet de vérifier les réglages de durée et de puissance durant la cuisson au micro-ondes.

- Appuyer sur POWER LEVEL (niveau de puissance) pour afficher le niveau de puissance réglé.

- Appuyer sur CLOCK (horloge) CLOCK/AM/PM (horloge/réglage AM/PM) pour afficher la durée.

## UTILISATION DU FOUR À MICRO-ONDES

**IMPORTANT :** [en] Never operate the microwave without food in the oven cavity; this can damage the magnetron tube or glass turntable. You may wish to leave a cup filled with water inside the oven when it is not in use to avoid damage if the oven is unintentionally turned on.

### USTENSILE DE CUISSON

**IMPORTANT :** Les récipients fermés hermétiquement peuvent exploser. Les récipients fermés doivent être ouverts et les sachets en plastique doivent être percés avant la cuisson.

### UTILISABLES AU FOUR À MICRO-ONDES

- Plat brunisseur (vendu séparément. Suivre les recommandations du fabricant)
- Vitrocéramique, verre
- Porcelaine, terre cuite (suivre les recommandations du fabricant)
- Mélamine (suivre les recommandations du fabricant)
- Essuie-tout, assiettes et serviettes en papier (utiliser du panier non recyclé)
- Emballages, sacs, couvercles, vaisselle, récipients en plastique (suivre les recommandations du fabricant)
- Poterie et argile (suivre les recommandations du fabricant.)
- Ustensiles de cuisson en silicone (suivre les recommandations du fabricant)
- Papier paraffiné

### NE PAS UTILISER AU FOUR À MICRO-ONDES

- Ustensiles de cuisson métalliques
- Paille ou osier
- Or, argent ou étain
- Thermomètres à viande non approuvés, brochettes
- Attaches
- Doublures en papier d'aluminium, telles que les enveloppes à sandwich
- Agrafes
- Objets avec garniture en or ou en argent ou avec un enduit métallique
- Bois

#### Pour tester les ustensiles de cuisson :

Placer le plat dans le four à micro-ondes avec une tasse (250 mL) d'eau à côté de l'article. Programmer 1 minute de cuisson à puissance maximale. Si le plat devient chaud et que l'eau reste froide, ne pas utiliser le plat pour la cuisson au four à micro-ondes.

## CUISSON AU MICRO-ONDES

### CUISSON MINUTÉE

1. Appuyer sur les touches numériques pour régler la durée de cuisson. Par exemple, pour régler une cuisson de 10 minutes, appuyer dans l'ordre sur "1,0,0,0".



### REMARQUE :

- La durée de cuisson maximum est de 99 minutes et 99 secondes.
  - La puissance est réglée par défaut sur 100 %. Si l'on souhaite cuire à une puissance de 100 %, sauter les étapes 2 et 3 et passer directement à l'étape 4.
2. Appuyer sur POWER LEVEL (niveau de puissance) pour activer le mode de puissance.



3. [en] Press the number pads or press POWER LEVEL repeatedly to select the desired power level. See "Power Levels" chart later in this section.
4. Appuyer sur START/+30 Sec (mise en marche/+30 Sec) pour démarrer la cuisson. Le compte à rebours se met en route.



**REMARQUE :** Lorsque la cuisson est terminée, une alarme retentit 3 fois.



### Niveaux de puissance

Dix niveaux de puissance sont disponibles.

Niveau	10	9	8	7	6	5	4	3	2	1	0
Puissance	100%	90%	80%	70%	60%	50%	40%	30%	20%	10%	0%
Affichage	HI	PL-90	PL-80	PL-70	PL-60	PL-50	PL-40	PL-30	PL-20	PL-10	PL-0

### CUISSON PRATIQUE

- Appuyer sur START/+ 30 SEC (ajouter 30 s) pour démarrer la cuisson à une puissance du micro-ondes de 100 % pendant 30 secondes.
- Appuyer sur START/+ 30 SEC (ajouter 30 s) durant la cuisson au micro-ondes pour prolonger la durée de cuisson par tranches de 30 secondes.

**REMARQUE :** La durée de cuisson maximum est de 99 minutes et 99 secondes.

- Appuyer sur les touches numériques de 1 à 9 pour démarrer la cuisson à une puissance du micro-ondes de 100 % pendant 1 à 9 minutes.

**REMARQUE :** Durant la cuisson pratique, le niveau de puissance du micro-ondes peut être affiché mais pas réglé.

### [EN] SENSOR COOK

[en] The Sensor Cook control automatically sets the appropriate cooking time calculated by sensing the moisture level of the food or beverage being cooked.

[en] The Sensor Cook control is programmed to cook the following items: Potato, Fresh Veggies, Frozen Veggies, Bacon, Frozen Dinner, Rice, Frozen Breakfast, and Frozen Pizza.

- [en] Press SENSOR COOK once, "Potato" will appear on the display. Continue to press SENSOR COOK to toggle among the choices. When the desired item appears in the display, press START to confirm and begin cooking.



- [en] Once Start is pressed, the Sensing process begins. When the Sensing process is completed, alert tones will sound and the calculated cook time will begin to count down.

**REMARQUE :** [en] Do not open the door during the Sensing process. If you do, the Sensor Cook program will be cancelled.

### [en] Sensor Cook Programs

[en] Program	[en] Item	[en] Quantity
1	[en] Baked Potato	[en] 1 - 4 potatoes
2	[en] Fresh Vegetable	[en] 2 cups
3	[en] Frozen Vegetable	[en] 2 cups
4	[en] Bacon	[en] 1 - 3 slices
5	[en] Frozen Dinner	[en] 10 to 20 oz.
6	[en] Rice	[en] 1 - 2 cups
7	[en] Frozen Breakfast	[en] 8 to 12 oz.
8	[en] Frozen Pizza	[en] 12 oz.

## DÉCONGÉLATION

[en] The Defrost control allows you to choose to defrost by weight or by time.

### Décongélation en fonction du poids

1. [en] Press DEFROST once. "Weight" will appear on the display.



2. [en] Press START. "Enter Weight" will appear on the display, and "lb" will flash.
3. [en] Press the number pads to enter the weight of the item to be defrosted. For example, if the food weight is 1.2 lbs, press "1" and then "2" to input the weight.

**REMARQUE :** Le poids maximum est de 6 lb.

4. Appuyer sur START (mise en marche) pour démarrer la décongélation. Le témoin "lb" ne s'allume pas.

### Décongélation minutée

1. [en] Press DEFROST twice. "Time" will appear on the display.



2. [en] Press START. "Enter Time" will appear on the display.
3. [en] Press the number pads to enter the time to defrost. For example, if you want the food to defrost for 5 minutes, press "5" and then "0" to input the time.

**REMARQUE :** La durée de décongélation maximum est de 99 minutes et 99 secondes.

4. Appuyer sur START (mise en marche) pour démarrer la décongélation.

**REMARQUE :** Lorsque la moitié de la durée de décongélation totale s'est écoulée, un signal sonore retentit 2 fois pour prévenir qu'il faut retourner les aliments.

## [EN] SENSOR REHEAT

[en] The Sensor Reheat control automatically sets the appropriate reheating time calculated by sensing the moisture level of the food or beverage being reheated.

[en] The Sensor Reheat control is programmed to reheat the following items: Beverage, Dinner Plate, Pizza, Soup/Sauce and Casserole.

- [en] Press SENSOR REHEAT once, "BEVERAGE" will appear on the display. Continue to press SENSOR REHEAT to toggle among the choices. When the desired item appears in the display, press START to confirm and begin reheating.



- [en] Once Start is pressed, the Sensing process begins. When the Sensing process is completed, alert tones will sound and the calculated reheat time will begin to count down.

**REMARQUE :** [en] Do not open the door during the Sensing process. If you do, the Sensor Cook program will be cancelled.

### [en] Sensor Reheat Programs

[en] Program	[en] Item	[en] Quantity
[en] 1	[en] Beverage	[en] 1 to 3 cups
2	[en] Dinner Plate	[en] 1 plate
3	[en] Pizza	[en] 1 to 4 slices
4	[en] Soup/Sauce	[en] 1 cup
5	[en] Casserole/Lasagna	[en] 10.5 oz.

## [EN] POPCORN

[en] The popcorn control is programmed to pop microwave popcorn based on the size of the bag.

1. [en] Press POPCORN to toggle among the bag sizes.



- [en] Press 1 time: To pop a 3.3 ounce bag of popcorn.
  - [en] Press 2 times: To pop a 3.0 ounce bag of popcorn.
  - [en] Press 3 times: To pop a 1.75 ounce bag of popcorn.
2. [en] Press START to confirm selection and begin cooking. The popping time will appear on the display.

## ENTRETIEN DU FOUR À MICRO-ONDES

### NETTOYAGE

# ⚠ AVERTISSEMENT



### Risque de choc électrique

Déconnecter la source de courant électrique avant le nettoyage.

Le non-respect de cette instruction peut causer un décès ou un choc électrique.

### IMPORTANT :

- Avant le nettoyage, s'assurer que toutes les commandes sont désactivées et que le four à micro-ondes est froid. Toujours suivre les instructions figurant sur les étiquettes des produits de nettoyage.
  - Pour éviter d'endommager le four à micro-ondes du fait de la formation d'arcs dus à l'accumulation de saletés, conserver la cavité, l'orifice d'introduction des micro-ondes et la zone de contact entre la porte et le cadre propres.
1. [en] Using a warm water and mild soap solution and a soft cloth or sponge, clean the oven cavity, frame and oven exterior.
  2. Rincer à l'eau tiède propre et sécher avec un chiffon doux.

### REMARQUE :

- [en] Do not use scouring powder or rough scouring pads on the microwave.
- [en] The glass turntable may be washed and dried in the dishwasher.
- [en] For stainless steel models, a stainless steel cleaner may be used on the exterior.

## FILTRES

# ⚠ AVERTISSEMENT



### Risque de choc électrique

Déconnecter la source de courant électrique avant l'entretien.

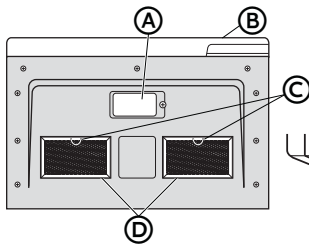
Replacer tous les panneaux avant de faire la remise en marche.

Le non-respect de ces instructions peut causer un décès ou un choc électrique.

## [EN] GREASE FILTER(S)

[en] Grease filters are located on the underside of microwave oven. The grease filters should be removed and cleaned often; generally at least once every month.

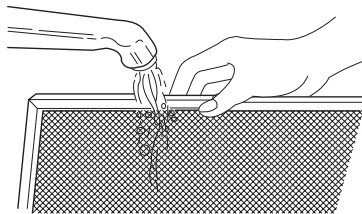
1. [en] Remove the grease filter. Grasp the metal ring, slide the filter toward the back, and then gently pull the filter downward. Repeat for the second filter.



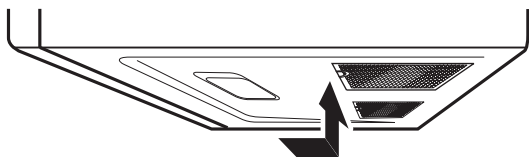
- A Lampes de surface
- B Porte
- C [en] Metal Loop
- D Filtres à graisse

2. [en] Soak the grease filters in hot water with a mild detergent added. Rinse well and shake to dry.

**REMARQUE :** Ne pas utiliser d'ammoniaque ni nettoyer au lave-vaisselle. Cela va corroder et noircir l'aluminium du filtre.



3. [en] Reinstall the grease filter. Insert the back edge of the filter into the opening, and then gently push the filter up into place. Repeat for the second filter.

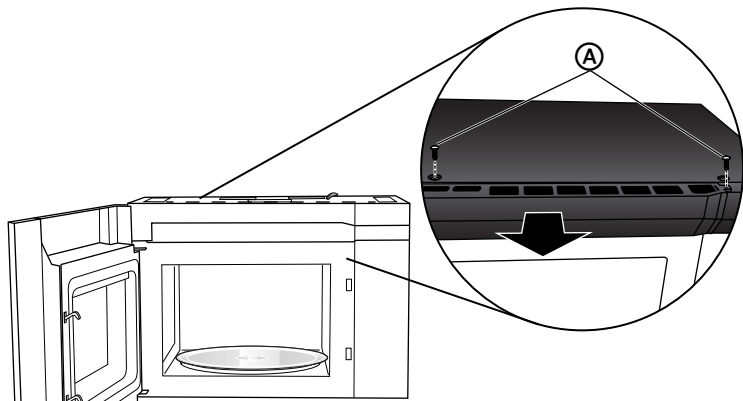


## FILTRE À CHARBON

**IMPORTANT :** [en] A charcoal filter must be installed in the microwave oven when it is used in a non-vented (recirculating) installation. Your microwave oven comes from the factory with the charcoal filter installed.

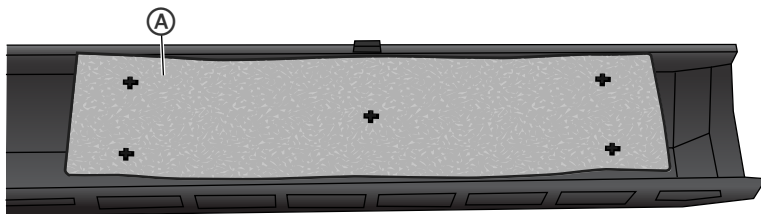
[en] The charcoal filter cannot be cleaned, so it must be replaced at least every 6 months or more often depending on use. To order a replacement charcoal filter for your model, contact the Customer Satisfaction Center. See "Back Cover" for contact information.

1. Débrancher ou déconnecter la source de courant électrique.
2. [en] Using a Phillips screwdriver, remove screws from the top grille.
3. [en] Open the microwave door so you can grasp the top grille, and then pull the grille straight out to remove.



(A) Vis

4. [en] Remove the used charcoal filter from the back of the grille, and then discard the filter.
5. [en] Align the holes in the new charcoal filter with the five posts on the back of the grille, and gently press down to attach.

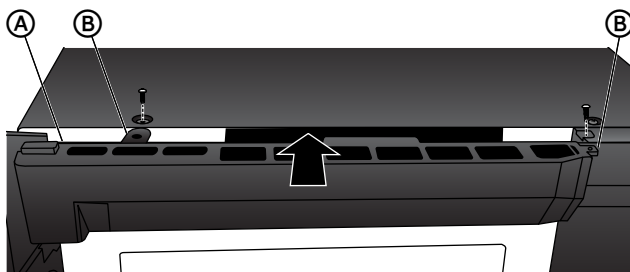


(A) [en] Charcoal Filter

6. [en] Align the top edge of the grille so that when the grille is pushed into place the screw hole tabs on the the grille will align with the holes in the microwave

cabinet. Gently push on the grille until it snaps into place and the screw holes are aligned.

**REMARQUE :** [en] Make sure that the wire harness, located near the door hinge, is not pinched when you are replacing the top grille.



(A) [en] Wire Harness (not shown)

(B) [en] Screw Hole Tab (2)

7. [en] Replace the two screws removed earlier, and completely tighten the screws.

## ÉCLAIRAGE

**IMPORTANT :** [en] Your microwave oven features LED interior lighting as well as LED surface lighting. These lights are designed to last for the life of your microwave oven. However, if the lights stop illuminating, please contact a qualified technician for replacement or the Customer Satisfaction Center for service. See the back cover for contact information.

## DÉPANNAGE

Essayez tout d'abord les solutions suggérées ici et évitez les coûts pour le service de réparation.

PROBLÈME	CAUSE(S) POSSIBLE(S)	SOLUTION
<b>Le four ne démarre pas</b>	[en] Oven power cord is not plugged into an electrical outlet.	Brancher sur une prise à 3 alvéoles reliée à la terre.
	La porte est ouverte.	Fermer la porte et réessayer.
	Réglage de fonctionnement incorrect.	Vérifier les instructions.
<b>Formation d'arcs ou d'étincelles</b>	Des matériaux non destinés à la cuisson au four à micro-ondes ont été utilisés.	Utiliser uniquement des ustensiles de cuisson résistants au four à micro-ondes.
	Le four fonctionne à vide.	Ne pas faire fonctionner le four à micro-ondes à vide.
	Des renversements alimentaires sont laissés dans la cavité.	[en] Clean oven cavity with a damp cloth and dry thoroughly. See "Cleaning."

PROBLÈME	CAUSE(S) POSSIBLE(S)	SOLUTION
<b>Cuisson non homogène des aliments</b>	Des matériaux non destinés à la cuisson au four à micro-ondes ont été utilisés.	Utiliser uniquement des ustensiles de cuisson résistants au four à micro-ondes.
	Les aliments n'ont pas entièrement décongelés.	Décongeler complètement les aliments.
	Une durée de cuisson ou un niveau de puissance incorrect a été sélectionné.	Sélectionner une durée de cuisson ou un niveau de puissance correct.
	Les aliments n'ont pas été retournés ou remués.	Retourner ou remuer les aliments.
<b>Aliments trop cuits</b>	Une durée de cuisson ou un niveau de puissance incorrect a été sélectionné.	Sélectionner une durée de cuisson ou un niveau de puissance correct.
<b>Aliments pas assez cuits</b>	Des matériaux non destinés à la cuisson au four à micro-ondes ont été utilisés.	Utiliser uniquement des ustensiles de cuisson résistants au four à micro-ondes.
	Les aliments n'ont pas entièrement décongelés.	Décongeler complètement les aliments.
	Les ouvertures de ventilation du four sont obstruées.	Vérifier si les ouvertures de ventilation du four sont obstruées.
	Une durée de cuisson ou un niveau de puissance incorrect a été sélectionné.	Sélectionner une durée de cuisson ou un niveau de puissance correct.
<b>Décongélation incorrecte</b>	Des matériaux non destinés à la cuisson au four à micro-ondes ont été utilisés.	Utiliser uniquement des ustensiles de cuisson résistants au four à micro-ondes.
	Une durée de cuisson ou un niveau de puissance incorrect a été sélectionné.	Sélectionner une durée de cuisson ou un niveau de puissance correct.
	Les aliments n'ont pas été retournés ou remués.	Retourner ou remuer les aliments.

**POUR OBTENIR DE L'AIDE SUPPLÉMENTAIRE, VISITER [HAIERAMERICA.COM](http://HAIERAMERICA.COM) OU CONTACTER LA LIGNE D'ASSISTANCE À LA CLIENTÈLE AU 1-877-337-3639.**



# GARANTIE LIMITÉE

## SERVICE À DOMICILE

### GARANTIE COMPLÈTE D'UN AN

Pendant 12 mois à compter de la date d'achat d'origine, Haier réparera ou remplacera gratuitement n'importe quelle pièce (main-d'œuvre comprise) comportant un défaut de matériau ou de fabrication.

Haier peut choisir à sa seule discrétion de remplacer ou réparer des pièces, des sous-systèmes ou le produit tout entier.

Le produit doit être accessible, dégagé et installé correctement pour bénéficier du service de réparation sous garantie.

### GARANTIE LIMITÉE

**REMARQUE :** Cette garantie prend effet à la date à laquelle l'article a été acheté et le reçu de l'achat d'origine doit être présenté au représentant de dépannage autorisé avant qu'une quelconque réparation sous garantie ne soit effectuée.

**Exceptions:** Garantie à usage commercial

**90 jours sur la main-d'œuvre à compter de la date d'achat d'origine**

**90 jours sur les pièces à compter de la date d'achat d'origine**

**Aucune autre garantie ne s'applique.**

### SERVICE AU TITRE DE LA GARANTIE

Contactez le centre de dépannage autorisé le plus proche. Tout dépannage doit être effectué par un centre de dépannage autorisé Haier. Pour le nom et le numéro de téléphone du centre de dépannage autorisé le plus proche de votre domicile, composer le 1-877-337-3639.

Avant d'appeler le centre, veuillez garder à disposition les renseignements suivants :

Numéros de plaque signalétique de l'appareil. Le nom et l'adresse du revendeur auprès duquel vous avez acheté l'appareil, ainsi que la date d'achat.

Une description claire du problème rencontré.

Une preuve d'achat (reçu de vente).

**Cette garantie est valable pour le service des appareils domestiques aux États-Unis contigus et au Canada et lorsque le service est disponible, en Alaska, à Hawaï et Porto Rico.**

### Cette garantie ne couvre pas :

Le remplacement ou la réparation des fusibles, disjoncteurs, du câblage ou du circuit de plomberie du domicile.

Un produit dont le numéro de série d'origine a été enlevé ou modifié.

Tous frais de dépannage non identifiés comme étant normaux tel un dépannage dans une zone ou une tranche horaire normale.

Les dommages liés à l'expédition.

Les dommages liés à une installation ou un entretien inadapté.

Les dommages causés par l'un des éléments suivants : Mauvaise utilisation, utilisation abusive, accident, incendie ou catastrophe naturelle.

Les dommages résultant d'un dépannage fourni par une entité autre qu'un revendeur ou centre de dépannage autorisé Haier.

Les dommages causés par un courant, une tension ou une alimentation électrique incorrects.

Les dommages résultant d'une quelconque modification ou altération du produit ou d'un ajustement non autorisé par Haier.

Un ajustement des commandes utilisées par le consommateur tel qu'identifié dans le manuel de l'utilisateur.

Les tuyaux, boutons, plateaux à charpie et tout accessoire ou pièce jetable.

Les frais de main-d'œuvre, transport pour dépannage et d'expédition pour le retrait et le remplacement de pièces défectueuses au-delà de la période de 12 mois.

Les dommages liés à une utilisation autre qu'une utilisation domestique normale.

Tout frais de transport et d'expédition.

**CETTE GARANTIE LIMITÉE REMPLACE TOUTE AUTRE GARANTIE EXPRESSE OU IMPLICITE, Y COMPRIS, MAIS PAS SEULEMENT, LES GARANTIES IMPLICITES, Y COMPRIS LES GARANTIES DE QUALITÉ MARCHANDE OU D'APTITUDE À UN USAGE PARTICULIER**

Le recours offert dans cette garantie est exclusif et se substitue à toute autre garantie.

Cette garantie ne couvre pas les dommages fortuits ou indirects; aussi les limitations décrites ci-dessus peuvent ne pas s'appliquer à votre cas. Certains États ne permettent pas de limitation sur la durée d'une garantie implicite, aussi les limitations décrites ci-dessus peuvent ne pas s'appliquer à votre cas.

Cette garantie vous confère des droits juridiques spécifiques. Vous pouvez également jouir d'autres droits qui peuvent varier d'un État à l'autre.

Haier America  
Wayne, NJ 07470

## DOCUMENTS À CONSERVER

Merci d'avoir acheté ce produit Haier. Ce manuel d'utilisation vous aidera à obtenir la meilleure performance possible de votre nouvelle four micro-onde.

Pour référence ultérieure, inscrire le numéro de plaque signalétique situé sur le cadre à l'intérieur du four micro-onde, et la date d'achat.

Pour faciliter l'obtention d'un service sous garantie, agraffer la preuve de la date d'achat à ce manuel.

---

Numéro de modèle

---

Numéro de série

---

Date d'achat

# ÍNDICE

<b>SEGURIDAD DEL HORNO</b> .....	<b>42</b>
Microondas de seguridad energética .....	45
Requisitos eléctricos .....	45
<b>PIEZAS Y CARACTERÍSTICAS</b> .....	<b>47</b>
Especificaciones .....	48
Bandeja giratoria .....	48
<b>PANEL DE CONTROL</b> .....	<b>49</b>
Reloj .....	49
Características .....	50
<b>USO DEL HORNO DE MICROONDAS</b> .....	<b>51</b>
Utensilios de cocina .....	51
Cocción en el horno de microondas .....	51
<b>CUIDADO DEL HORNO DE MICROONDAS</b> .....	<b>55</b>
Limpieza .....	55
Filtros .....	56
Luces .....	58
<b>SOLUCIÓN DE PROBLEMAS</b> .....	<b>58</b>
<b>GARANTÍA LIMITADA</b> .....	<b>59</b>
<b>INFORMACIÓN A TENER EN CUENTA</b> .....	<b>61</b>

## SEGURIDAD DEL HORNO

### Su seguridad y la seguridad de los demás es muy importante.

Hemos incluido muchos mensajes importantes de seguridad en este manual y en su electrodoméstico. Lea y obedezca siempre todos los mensajes de seguridad.



Este es el símbolo de advertencia de seguridad.

Este símbolo le llama la atención sobre peligros potenciales que pueden ocasionar la muerte o una lesión a usted y a los demás. Todos los mensajes de seguridad irán a continuación del símbolo de advertencia de seguridad y de la palabra "PELIGRO", "ADVERTENCIA" o "PRECAUCIÓN".

Estas palabras significan:

**⚠ PELIGRO**

Se trata de una situación de peligro inminente. Si no sigue las instrucciones de inmediato, usted puede morir o sufrir una lesión grave.

**⚠ ADVERTENCIA**

Se trata de una situación posiblemente peligrosa que, de no evitarse, podría causar la muerte o una lesión grave.

**⚠ PRECAUCIÓN**

Se trata de una situación posiblemente peligrosa que, de no evitarse, podría causar lesiones moderadas o leves.

Todos los mensajes de seguridad le dirán el peligro potencial, le dirán cómo reducir las posibilidades de sufrir una lesión y lo que puede suceder si no se siguen las instrucciones.

## INSTRUCCIONES IMPORTANTES DE SEGURIDAD

Cuando se usan aparatos electrodomésticos, deben tomarse precauciones básicas de seguridad, incluyendo las siguientes:

**ADVERTENCIA:** Para reducir el riesgo de incendio, quemaduras, choques eléctricos, daños personales o exposición a energía excesiva de microondas:

- Lea todas las instrucciones antes de usar este electrodoméstico.
- Lea y siga las instrucciones específicas de "PRECAUCIONES PARA EVITAR POSIBLE EXPOSICIÓN A LA ENERGÍA EXCESIVA EN EL HORNO DE MICROONDAS" que encontrará en esta sección.

# INSTRUCCIONES IMPORTANTES DE SEGURIDAD

- El horno de microondas debe estar conectado a tierra. Conéctelo solamente a un contacto debidamente conectado a tierra. Vea la sección "INSTRUCCIONES DE CONEXIÓN A TIERRA" que encontrará en la sección "Requisitos eléctricos" y las instrucciones de instalación proporcionadas.
- Instale o coloque el horno de microondas solo conforme a las instrucciones de instalación proporcionadas.
- El horno de microondas es adecuado para usarse encima de equipos de cocción eléctrica y a gas.
- Diseñado para ser usado encima de estufas con un ancho máximo de 36" (91,44 cm).
- Algunos productos tales como huevos enteros con cáscara y recipientes sellados, por ejemplo, frascos de vidrio cerrados, pueden explotar y no se deben calentar en el horno de microondas.
- Use el horno de microondas solamente para el propósito que fue diseñado, como se describe en el manual. No use vapores o sustancias químicas corrosivas en el horno de microondas. Este tipo de horno está específicamente diseñado para calentar, cocinar o deshidratar alimentos. No se ha diseñado para uso industrial o de laboratorio.
- Al igual que cualquier electrodoméstico, es necesario supervisar cuidadosamente a los niños cuando estos usan el horno de microondas.
- No ponga a funcionar el horno de microondas si tiene un cable o enchufe dañado, si no funciona correctamente o si se ha dañado o caído.
- El horno de microondas solo debe ser reparado por personal de servicio competente. Llame a la compañía de servicio técnico autorizada para su inspección, reparación o ajuste.
- No cubra ni bloquee ninguna abertura del horno de microondas.
- No guarde ni use este horno de microondas a la intemperie. No use el horno de microondas cerca del agua, por ejemplo, cerca de un fregadero, en un sótano húmedo, o cerca de una piscina o lugares similares.
- No sumerja el cable ni el enchufe en agua.
- Mantenga el cable lejos de superficies calientes.
- No deje que el cable cuelgue del borde de la mesa o del mostrador.
- Vea las instrucciones de limpieza de la superficie de la puerta en la sección "Cuidado del horno de microondas".

## **Para reducir el riesgo de incendio en la cavidad del horno:**

- No cocine en exceso los alimentos. Vigile muy bien el horno de microondas si se coloca papel, plástico o cualquier material combustible dentro de este para facilitar la cocción.
- Retire las ataduras de alambre de las bolsas plásticas o de papel antes de colocar las bolsas en el horno.
- Si algún material se prende fuego dentro del horno, mantenga la puerta cerrada, apague el horno y desenchúfelo o corte la corriente en el panel de fusibles o del cortacircuitos.

# INSTRUCCIONES IMPORTANTES DE SEGURIDAD

- No use la cavidad para almacenamiento. No deje productos de papel, utensilios de cocina ni alimentos en la cavidad cuando no esté en uso.

## Para reducir el riesgo de lesiones físicas:

- No caliente el líquido en exceso.
- Los líquidos tales como agua, café o té se pueden calentar en exceso más allá del punto de ebullición sin que parezca que están hirviendo. No siempre observará que hierve ni verá burbujas visibles cuando quita el recipiente del horno de microondas. Como consecuencia, los líquidos muy calientes podrán hervir de repente cuando se altera el recipiente o se inserta una cuchara u otro utensilio en el líquido.
- Revuelva el líquido antes de calentarlo y mientras lo calienta.
- No utilice recipientes de lados rectos con cuellos estrechos.
- Después de calentar, deje que el recipiente repose en el horno de microondas durante un tiempo breve antes de retirarlo.
- Tenga mucho cuidado cuando coloque una cuchara u otro utensilio en el recipiente.
- No ponga nada directamente sobre el horno de microondas cuando este está en funcionamiento.
- Limpie las campanas de ventilación con frecuencia - No se debe permitir que la grasa se acumule en la campana o en el filtro.
- Tenga cuidado al limpiar el filtro de la campana de ventilación. Los agentes de limpieza corrosivos, tales como los limpiadores para horno a base de lejía, pueden dañar el filtro.
- Al flamear los alimentos debajo de la campana, encienda el ventilador.

## LEA Y GUARDE ESTAS INSTRUCCIONES

## MICROONDAS DE SEGURIDAD ENERGÉTICA

# PRECAUCIONES PARA EVITAR LA POSIBLE EXPOSICIÓN A ENERGÍA EXCESIVA DE MICROONDAS

- (A) No intente operar este horno con la puerta abierta ya que esto puede resultar en exposición nociva a energía de microondas. Es importante no forzar o impedir la operación de las trabas de seguridad.
- (B) No ponga ningún objeto entre la cara frontal del horno y la puerta y no permita que se acumule polvo o residuos de limpiadores en las superficies de sellado.
- (C) No opere el horno si éste está dañado. Es particularmente importante que la puerta del horno cierre correctamente y que no haya daño en:
  1. La puerta (torcida),
  2. Bisagras y seguros (rotos o flojos),
  3. Sellos de la puerta y superficies de sellado.
- (D) El horno no debe ser ajustado o reparado por nadie, excepto personal de servicio calificado.

## REQUISITOS ELÉCTRICOS

### ! ADVERTENCIA



#### Peligro de Choque Eléctrico

Conecte a un contacto de pared de conexión a tierra de 3 terminales.

No quite el terminal de conexión a tierra del cable de alimentación.

No use un adaptador.

No use un cable eléctrico de extensión.

No seguir estas instrucciones puede ocasionar la muerte, incendio o choque eléctrico.

Observe todos los códigos y ordenanzas aplicables.

#### Se necesita:

Un suministro eléctrico de 120 voltios, 60 hercios, CA solamente, de 15 o 20 amperios protegido con fusible o cortacircuitos.

**Se recomienda:**

Un fusible o un cortacircuitos retardador.

Un circuito separado que preste servicio solamente a este horno de microondas.

## **INSTRUCCIONES DE PUESTA A TIERRA**

**Para la conexión de un horno de microondas mediante cable eléctrico conectado a tierra:**

El horno de microondas debe estar conectado a tierra. En caso de que se produzca un cortocircuito, la conexión a tierra reduce el riesgo de electrocución por medio de un alambre de escape para la corriente eléctrica. El horno de microondas está equipado con un cable que tiene un alambre de conexión a tierra con un enchufe para conexión a tierra. El enchufe debe estar conectado a un tomacorriente que está correctamente instalado y conectado a tierra.

**ADVERTENCIA:** El uso incorrecto del enchufe para la conexión a tierra puede resultar en riesgo de electrocución. Consulte con un electricista o técnico calificado si las instrucciones para conexión a tierra no se entienden bien o si hay alguna duda con respecto a la correcta conexión a tierra del horno de microondas.

No use un cable de extensión. Si el cable de suministro eléctrico es muy corto, haga que un electricista o técnico calificado instale un tomacorriente cerca del horno de microondas.

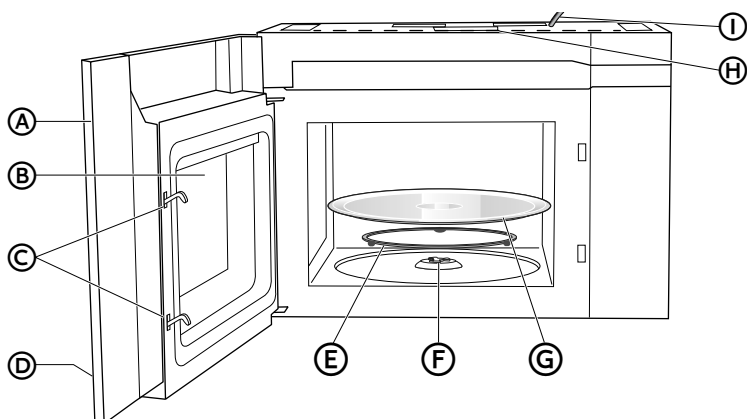
## **LEA Y GUARDE ESTAS INSTRUCCIONES**

Este dispositivo cumple con la Parte 18 de las reglas FCC (Comisión Federal de Comunicaciones, por sus siglas en inglés).

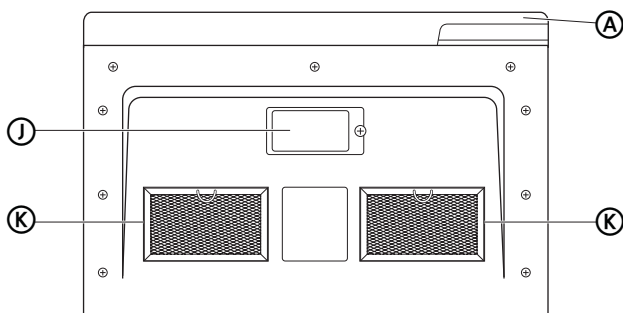


# PIEZAS Y CARACTERÍSTICAS

## Vista desde el frente



## Vista desde la parte inferior




- |   |                                 |
|---|---------------------------------|
| <b>A</b> Puerta                                     | <b>G</b> [en] Glass Turntable   |
| <b>B</b> Ventana                                    | <b>H</b> [en] Top Grille        |
| <b>C</b> Sistema de bloqueo                         | <b>I</b> Cable eléctrico        |
| <b>D</b> Panel de control                           | <b>J</b> Luces de la superficie |
| <b>E</b> Ensamblaje del aro de la bandeja giratoria | <b>K</b> [en] Grease Filters    |
| <b>F</b> Acoplador de la bandeja giratoria          |                                 |

## ESPECIFICACIONES

Número de modelo	HMV1472BHS
Voltaje nominal	120V~60Hz
Potencia nominal de entrada (Horno de microondas)	1500 vatios
Potencia nominal de salida (Horno de microondas)	1000 vatios
Capacidad del horno	1,34 pies cúbicos (38 L)
Diámetro de la bandeja giratoria	13½" (34,3 cm)
Dimensiones externas (Ancho x Profundidad x Alto)	23½" x 16½" x 17⅞" (59,7 cm x 41,9 cm x 43,5 cm)
Peso neto	Apróx. 52,3 libras (23,7 kg)
[en] LED Lighting	[en] Service Replacement only

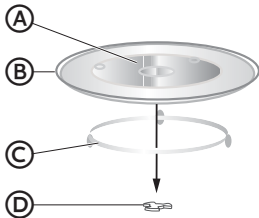
## BANDEJA GIRATORIA

[en] The turntable ring assembly and the glass turntable must be used during cooking.

[en] If you are using large or oblong-shaped cookware that would touch the walls of the microwave when the turntable spins, you can turn off the turntable. Press TURNTABLE. "OFF" and the  icon will appear in the display.



- [en] Assemble the turntable as shown.

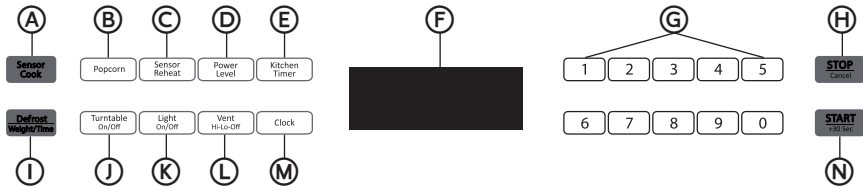


- (A) Cubo de acople (parte inferior)
- (B) [en] Glass Turntable
- (C) Ensamblaje del aro de la bandeja giratoria
- (D) Acoplador de la bandeja giratoria

### NOTA:

- No coloque la bandeja de vidrio hacia abajo.
- La bandeja de vidrio nunca debe quedar obstruida.
- Coloque los alimentos y los recipientes de alimentos sobre la bandeja de vidrio para cocinarlos.
- [en] If glass turntable or turntable ring assembly cracks or breaks, contact the Customer Satisfaction Center at 1-877-337-3639 or the parts department at [encompassparts.com](http://encompassparts.com).

# PANEL DE CONTROL



- |  |                                  |
|--|----------------------------------|
| <b>(A)</b> [en] Sensor Cook                | <b>(H)</b> [en] Stop             |
| <b>(B)</b> [en] Popcorn                    | <b>(I)</b> Descongelado (Conv)   |
| <b>(C)</b> [en] Sensor Reheat              | <b>(J)</b> [en] Turntable On/Off |
| <b>(D)</b> Power Level (Nivel de potencia) | <b>(K)</b> [en] Light On/Off     |
| <b>(E)</b> Temporizador de cocina          | <b>(L)</b> [en] Vent Hi-Lo-Off   |
| <b>(F)</b> Pantalla                        | <b>(M)</b> Reloj                 |
| <b>(G)</b> Teclas numéricas                | <b>(N)</b> [en] Start            |

## RELOJ

Su modelo tiene un reloj de 12 horas.

### FIJAR LA HORA DEL DÍA

- [en] Press CLOCK to enter the Clock Setting mode. "ENTER TIME" will appear in the display.



- Presione las teclas numéricas para ingresar la hora correcta. Por ejemplo, si la hora es 10:12, presione las teclas numéricas "1, 0, 1, 2" para ingresar la hora.



- [en] Press START to confirm the time.

### TEMPORIZADOR DE COCINA

[en] The microwave features a convenient timer for your cooking needs.

- [en] Press KITCHEN TIMER. "ENTER TIME" will appear in the display.



- Presione las teclas numéricas para ingresar el tiempo de cocción deseado.

**NOTA:** El tiempo de cocción máximo es de 99 minutos y 99 segundos.



- [en] Press START to begin counting down the time.

**NOTA:** [en] When the set time has expired, "END" will appear in the display and three long alert tones will sound.



4. [en] Press STOP to exit the Kitchen Timer function.

## CARACTERÍSTICAS

### VENTILADOR

[en] The Vent Fan feature allows you to exhaust heat and steam from the cooking surface below.

- Presione VENT FAN HI/LOW/OFF (Ventilador Alto/Bajo/Apagado) para encender/apagar el ventilador y regular su velocidad.

#### NOTA:

- [en] The fan speed cannot be adjusted if the control panel is locked.
- [en] When the control is pressed the first time, "High" appears in the display.



[en] High Speed - Press once

[en] Low Speed - Press twice

[en] Off - Press three times

### ILUMINACIÓN DE LA SUPERFICIE

[en] The surface light feature illuminates the cooking surface below the microwave oven.

[en] Press LIGHT to toggle among High, Low and Off.

### SEGURO PARA NIÑOS

La función Child Lock (Bloqueo para niños) le permite bloquear el panel de control del microondas para una limpieza fácil o evitar cambiar accidentalmente los ajustes o encender el horno de microondas.

#### Para bloquear/desbloquear el panel de control:

- Presione STOP/CANCEL (Detener/ XX) durante 3 segundos. Sonarán dos pitidos para indicar que se ha activado/desactivado el bloqueo [en].



### VER ESTADO

La función Status Recall (Ver estado) le permite verificar los ajustes de tiempo y potencia durante la cocción del microondas.

- Presione POWER LEVEL (Nivel de potencia) para visualizar el nivel de potencia fijado.
- Presione CLOCK (Reloj) para visualizar la hora.

## USO DEL HORNO DE MICROONDAS

**IMPORTANTE:** [en] Never operate the microwave without food in the oven cavity; this can damage the magnetron tube or glass turntable. You may wish to leave a cup filled with water inside the oven when it is not in use to avoid damage if the oven is unintentionally turned on.

### UTENSILIOS DE COCINA

**IMPORTANTE:** Los recipientes bien cerrados podrían explotar. Debe abrir los recipientes cerrados y perforar las bolsas plásticas antes de cocinar.

### APTOS PARA HORNOS DE MICROONDAS

- Plato para dorar (Se vende por separado. Siga las recomendaciones del fabricante).
- Vidrio de cerámica, vidrio
- Porcelana, vajilla de barro (Siga las recomendaciones del fabricante).
- Melamina (Siga las recomendaciones del fabricante).
- Toallas de papel, platos de papel, servilletas (Use papel no reciclado).
- Envoltorios, bolsas, cubiertas, vajilla y recipientes de plástico (Siga las recomendaciones del fabricante).
- Cerámica y arcilla (Siga las recomendaciones del fabricante).
- Utensilios para hornear de silicona (Siga las recomendaciones del fabricante).
- Papel de cera

### NO ES APTO PARA HORNOS DE MICROONDAS

- Utensilios de cocina y para hornear de metal
- Popote o mimbre
- Oro, plata o peltre
- Termómetros y pinchos de carne que no hayan sido aprobados
- Ataduras
- Envoltorios de aluminio, como bolsas para sándwiches
- Grapas
- Objetos con adornos dorados o plateados, o con un baño de metal
- Madera

#### Para probar los utensilios de cocina/vajilla:

Coloque el plato en el horno de microondas con 1 taza (250 mL) de agua al lado. Programe 1 minuto de tiempo de cocción al 100 %. Si el plato se calienta y el agua permanece fría, no lo utilice en el horno de microondas.

## COCCIÓN EN EL HORNO DE MICROONDAS

### COCCIÓN PROGRAMADA

1. Presione los botones numéricos para fijar el tiempo de cocción. Por ejemplo, para cocinar durante 10 minutos, presione "1,0,0,0" seguido.

#### NOTA:

- El tiempo de cocción máximo es de 99 minutos y 99 segundos.
- La potencia por defecto es del 100 %. Si desea cocinar al 100 % de la potencia, omita los pasos 2 y 3 y vaya directamente al paso 4.

- Presione POWER LEVEL (Nivel de potencia) para activar el modo de potencia.



- [en] Press the number pads or press POWER LEVEL repeatedly to select the desired power level. See "Power Levels" chart later in this section.
- Presione START/+30 Sec (Inicio/+30 Sec) para comenzar a cocinar. Comenzará la cuenta regresiva.



**NOTA:** Cuando termine de cocinar, sonará un tono de alerta 3 veces.



## Niveles de potencia

Hay diez niveles de potencia disponibles.

Nivel	10	9	8	7	6	5	4	3	2	1	0
Encendi- do	100%	90%	80%	70%	60%	50%	40%	30%	20%	10%	0%
Pantalla	HI	PL-90	PL-80	PL-70	PL-60	PL-50	PL-40	PL-30	PL-20	PL-10	PL-0

## COCCIÓN RÁPIDA

- Presione START/+ 30 SEC (+30 s) para comenzar a cocinar al 100 % de potencia del horno de microondas durante 30 segundos.
- Presione START/+ 30 SEC (+30 s) durante la cocción del horno de microondas para aumentar el tiempo de cocción en incrementos de 30 segundos.

**NOTA:** El tiempo de cocción máximo es de 99 minutos y 99 segundos.

- Presione los botones numéricos de 1 a 9 para comenzar a cocinar con 100 % de potencia del horno de microondas durante 1 a 9 minutos.

**NOTA:** Durante la cocción rápida, podrá ver el nivel de potencia del microondas.

## [EN] SENSOR COOK

[en] The Sensor Cook control automatically sets the appropriate cooking time calculated by sensing the moisture level of the food or beverage being cooked.

[en] The Sensor Cook control is programmed to cook the following items: Potato, Fresh Veggies, Frozen Veggies, Bacon, Frozen Dinner, Rice, Frozen Breakfast, and Frozen Pizza.

- [en] Press SENSOR COOK once, "Potato" will appear on the display. Continue to press SENSOR COOK to toggle among the choices. When the desired item appears in the display, press START to confirm and begin cooking.



- [en] Once Start is pressed, the Sensing process begins. When the Sensing process is completed, alert tones will sound and the calculated cook time will begin to count down.

**NOTA:** [en] Do not open the door during the Sensing process. If you do, the Sensor Cook program will be cancelled.

### [en] Sensor Cook Programs

[en] Program	[en] Item	[en] Quantity
1	[en] Baked Potato	[en] 1 - 4 potatoes
2	[en] Fresh Vegetable	[en] 2 cups
3	[en] Frozen Vegetable	[en] 2 cups
4	[en] Bacon	[en] 1 - 3 slices
5	[en] Frozen Dinner	[en] 10 to 20 oz.
6	[en] Rice	[en] 1 - 2 cups
7	[en] Frozen Breakfast	[en] 8 to 12 oz.
8	[en] Frozen Pizza	[en] 12 oz.

## DESCONGELACIÓN

[en] The Defrost control allows you to choose to defrost by weight or by time.

### Descongelar por peso

1. [en] Press DEFROST once. "Weight" will appear on the display.



2. [en] Press START. "Enter Weight" will appear on the display, and "lb" will flash.
3. [en] Press the number pads to enter the weight of the item to be defrosted. For example, if the food weight is 1.2 lbs, press "1" and then "2" to input the weight.

**NOTA:** El peso máximo es 6 lb (2,7 kg).

4. Presione START (Inicio) para comenzar a descongelar. No se encenderá el indicador "lb".

### Descongelar por tiempo

1. [en] Press DEFROST twice. "Time" will appear on the display.



2. [en] Press START. "Enter Time" will appear on the display.
3. [en] Press the number pads to enter the time to defrost. For example, if you want the food to defrost for 5 minutes, press "5" and then "0" to input the time.

**NOTA:** El tiempo máximo es de 99 minutos y 99 segundos.

4. Presione START (Inicio) para comenzar a descongelar.

**NOTA:** Cuando ha pasado la mitad del tiempo de descongelación total, sonará un tono 2 veces para alertarle que debe dar vuelta al alimento.

## [EN] SENSOR REHEAT

[en] The Sensor Reheat control automatically sets the appropriate reheating time calculated by sensing the moisture level of the food or beverage being reheated.

[en] The Sensor Reheat control is programmed to reheat the following items: Beverage, Dinner Plate, Pizza, Soup/Sauce and Casserole.

- [en] Press SENSOR REHEAT once, "BEVERAGE" will appear on the display. Continue to press SENSOR REHEAT to toggle among the choices. When the desired item appears in the display, press START to confirm and begin reheating.



- [en] Once Start is pressed, the Sensing process begins. When the Sensing process is completed, alert tones will sound and the calculated reheat time will begin to count down.

**NOTA:** [en] Do not open the door during the Sensing process. If you do, the Sensor Cook program will be cancelled.

### [en] Sensor Reheat Programs

[en] Program	[en] Item	[en] Quantity
[en] 1	[en] Beverage	[en] 1 to 3 cups
2	[en] Dinner Plate	[en] 1 plate
3	[en] Pizza	[en] 1 to 4 slices
4	[en] Soup/Sauce	[en] 1 cup
5	[en] Casserole/Lasagna	[en] 10.5 oz.

### [EN] POPCORN

[en] The popcorn control is programmed to pop microwave popcorn based on the size of the bag.

1. [en] Press POPCORN to toggle among the bag sizes.



- [en] Press 1 time: To pop a 3.3 ounce bag of popcorn.
  - [en] Press 2 times: To pop a 3.0 ounce bag of popcorn.
  - [en] Press 3 times: To pop a 1.75 ounce bag of popcorn.
2. [en] Press START to confirm selection and begin cooking. The popping time will appear on the display.



## LIMPIEZA

### ⚠ ADVERTENCIA



#### **Peligro de choque eléctrico**

Desconecte el suministro de energía antes de limpiarlo.

No seguir esta instrucción puede ocasionar la muerte o choque eléctrico.

#### **IMPORTANTE:**

- Antes de la limpieza, asegúrese de que todos los controles estén apagados y que el horno de microondas esté frío. Siempre siga las instrucciones que vienen en las etiquetas de los productos de limpieza.
- Para evitar daños en el horno de microondas, los cuales ocurren cuando se forman chispas debido a la acumulación de suciedad, mantenga limpios la cavidad, la cubierta interior del horno de microondas y el área donde la puerta toca el marco.

1. [en] Using a warm water and mild soap solution and a soft cloth or sponge, clean the oven cavity, frame and oven exterior.
2. Enjuague con agua tibia limpia y seque con un paño suave.

#### **NOTA:**

- [en] Do not use scouring powder or rough scouring pads on the microwave.
- [en] The glass turntable may be washed and dried in the dishwasher.
- [en] For stainless steel models, a stainless steel cleaner may be used on the exterior.

## FILTROS

# ⚠ ADVERTENCIA



### Peligro de Choque Eléctrico

Desconecte el suministro de energía antes de dar mantenimiento.

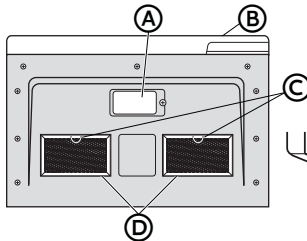
Vuelva a colocar todos los paneles antes de hacer funcionar.

No seguir estas instrucciones puede ocasionar la muerte o choque eléctrico.

### [EN] GREASE FILTER(S)

[en] Grease filters are located on the underside of microwave oven. The grease filters should be removed and cleaned often; generally at least once every month.

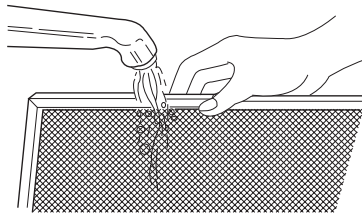
1. [en] Remove the grease filter. Grasp the metal ring, slide the filter toward the back, and then gently pull the filter downward. Repeat for the second filter.



- (A) Luces de la superficie
- (B) Puerta
- (C) [en] Metal Loop
- (D) [en] Grease Filters

2. [en] Soak the grease filters in hot water with a mild detergent added. Rinse well and shake to dry.

**NOTA:** No utilice amoníaco ni los lave en la lavavajillas. El aluminio del filtro se corroerá y oscurecerá.



3. [en] Reinstall the grease filter. Insert the back edge of the filter into the opening, and then gently push the filter up into place. Repeat for the second filter.

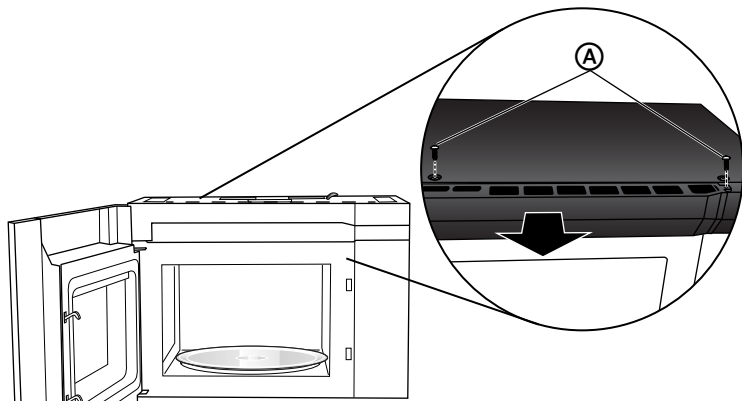


## FILTRO DE CARBÓN

**IMPORTANTE:** [en] A charcoal filter must be installed in the microwave oven when it is used in a non-vented (recirculating) installation. Your microwave oven comes from the factory with the charcoal filter installed.

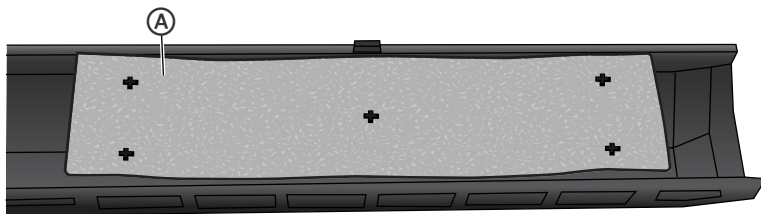
[en] The charcoal filter cannot be cleaned, so it must be replaced at least every 6 months or more often depending on use. To order a replacement charcoal filter for your model, contact the Customer Satisfaction Center. See "Back Cover" for contact information.

1. Desenchufe o desconecte el suministro de energía.
2. [en] Using a Phillips screwdriver, remove screws from the top grille.
3. [en] Open the microwave door so you can grasp the top grille, and then pull the grille straight out to remove.



**A** [en] Screws (2)

4. [en] Remove the used charcoal filter from the back of the grille, and then discard the filter.
5. [en] Align the holes in the new charcoal filter with the five posts on the back of the grille, and gently press down to attach.

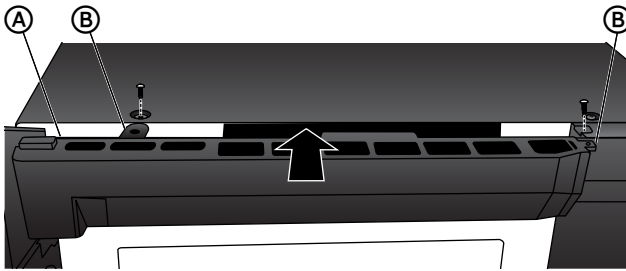


**A** [en] Charcoal Filter

6. [en] Align the top edge of the grille so that when the grille is pushed into place the screw hole tabs on the the grille will align with the holes in the microwave

cabinet. Gently push on the grille until it snaps into place and the screw holes are aligned.

**NOTA:** [en] Make sure that the wire harness, located near the door hinge, is not pinched when you are replacing the top grille.



- (A) [en] Wire Harness (not shown)
- (B) [en] Screw Hole Tab (2)

7. [en] Replace the two screws removed earlier, and completely tighten the screws.

## LUCES

**IMPORTANTE:** [en] Your microwave oven features LED interior lighting as well as LED surface lighting. These lights are designed to last for the life of your microwave oven. However, if the lights stop illuminating, please contact a qualified technician for replacement or the Customer Satisfaction Center for service. See the back cover for contact information.

## SOLUCIÓN DE PROBLEMAS

Pruebe las soluciones sugeridas aquí y posiblemente se evite el gasto de una visita de servicio técnico.

PROBLEMA	POSIBLE(S) CAUSA(S)	SOLUCIÓN
<b>El horno no se pone en marcha</b>	[en] Oven power cord is not plugged into an electrical outlet.	Conecte a un contacto de pared de conexión a tierra de 3 terminales.
	La puerta está abierta.	Cierre la puerta y vuelva a intentarlo.
	Ha fijado una opción incorrecta.	Revise las instrucciones.
<b>Chisporroteo o chispas</b>	Se utilizan materiales que no deben usarse en el horno de microondas.	Utilice únicamente utensilios de cocina aptos para hornos de microondas.
	El horno se puso en funcionamiento sin nada adentro.	No ponga en funcionamiento el horno cuando está vacío.
	Hay restos de alimentos derramados en la cavidad.	[en] Clean oven cavity with a damp cloth and dry thoroughly. See "Cleaning."

PROBLEMA	POSIBLE(S) CAUSA(S)	SOLUCIÓN
<b>Alimentos cocidos de manera despareja</b>	Se utilizan materiales que no deben usarse en el horno de microondas.	Utilice únicamente utensilios de cocina aptos para hornos de microondas.
	El alimento no se ha descongelado por completo.	Descongele el alimento por completo.
	El tiempo de cocción y nivel de potencia no son adecuados.	Utilice el tiempo de cocción y nivel de potencia correctos.
	El alimento no se ha girado ni revuelto.	Gire o revuelva el alimento.
<b>Alimentos cocidos en exceso</b>	El tiempo de cocción y nivel de potencia no son adecuados.	Utilice el tiempo de cocción y nivel de potencia correctos.
<b>Alimentos no cocidos por completo</b>	Se utilizan materiales que no deben usarse en el horno de microondas.	Utilice únicamente utensilios de cocina aptos para hornos de microondas.
	El alimento no se ha descongelado por completo.	Descongele el alimento por completo.
	Los orificios de ventilación del horno están obstruidos.	Verifique que los orificios de ventilación del horno no estén obstruidos.
	El tiempo de cocción y nivel de potencia no son adecuados.	Utilice el tiempo de cocción y nivel de potencia correctos.
<b>No descongela correctamente</b>	Se utilizan materiales que no deben usarse en el horno de microondas.	Utilice únicamente utensilios de cocina aptos para hornos de microondas.
	El tiempo de cocción y nivel de potencia no son adecuados.	Utilice el tiempo de cocción y nivel de potencia correctos.
	El alimento no se ha girado ni revuelto.	Gire o revuelva el alimento.

**SI NECESITA MÁS AYUDA, VISITE HAIERAMERICA.COM O COMUNÍQUESE CON LA LÍNEA DE AYUDA AL CONSUMIDOR LLAMANDO AL 1-877-337-3639.**

## GARANTÍA LIMITADA

### SERVICIO EN EL HOGAR

#### GARANTÍA COMPLETA POR UN AÑO

Durante 12 meses a partir de la fecha de compra original en la tienda, Haier reparará o reemplazará cualquier pieza del aparato sin costo, incluyendo la mano de obra, si la misma falla debido a defectos en los materiales o en la mano de obra.

Haier puede reemplazar, a su sola discreción, cualquier pieza, subsistema, incluso el producto entero.

El producto debe ser accesible, sin gravamen e instalado correctamente para recibir el servicio de reparación de garantía.

## **GARANTÍA LIMITADA**

**NOTA:** Esta garantía comienza en la fecha de compra de este producto, y el recibo original deberá presentarse al representante autorizado de servicio antes de hacerse las reparaciones bajo la garantía.

**Excepciones:** Garantía uso comercial

**90 días en la mano de obra a partir de la fecha de compra original**

**90 días en las piezas a partir de la fecha de compra original**

**No es aplicable ninguna otra garantía.**

### **PARA OBTENER SERVICIO BAJO LA GARANTÍA**

Póngase en contacto con el centro de servicio autorizado más cercano a su localidad. Todo servicio deberá ser realizado por un centro de servicio autorizado por Haier. Para obtener el nombre y el número de teléfono del centro de servicio autorizado más cercano, llame al 1-877-337-3639.

Antes de llamar, tenga a mano la siguiente información:

Número de modelo y de serie del aparato. El nombre y la dirección del distribuidor en donde compró la unidad y la fecha de compra.

Una descripción clara del problema.

Un comprobante de compra (recibo de compra).

**Esta garantía cubre servicios para electrodomésticos dentro de los Estados Unidos continental y Canadá y donde esté disponible en Alaska, Hawaii y Puerto Rico.**

**Lo que no está cubierto bajo esta garantía:**

Reemplazo o reparación de fusibles domésticos, cortacircuitos, cableado o plomería.

Un producto cuyo número de serie original haya sido removido o alterado.

Cualquier cargo por servicio que no haya sido identificado específicamente como servicio normal, como puede ser el área o las horas de servicio.

Daños ocurridos durante el transporte.

Daños ocasionados por la instalación o el mantenimiento inadecuados.

Daños por el uso incorrecto, abuso, accidente, incendio, inundación o fenómenos de la naturaleza.

Daños debidos al servicio efectuado por un distribuidor o centro de servicio que sea diferente del autorizado por Haier.

Daños ocasionados por la corriente, el voltaje o el suministro eléctrico incorrectos.

Daños que resulten de cualquier modificación hecha en el producto, alteración o ajustes no autorizados por Haier.

Ajuste de los controles manejados por el cliente según han sido identificados en el manual del propietario.

Mangueras, perillas, bandejas de pelusa y todos los otros aditamentos, accesorios y piezas desechables.

Cargos por mano de obra, transporte para el servicio y envío para la remoción y el reemplazo de las piezas defectuosas que se efectúen después del período inicial de 12 meses.

Daños ocasionados por un uso diferente al doméstico normal.

Cualquier gasto de transporte y de envío.

### **ESTA GARANTÍA LIMITADA REEMPLAZA TODAS LAS OTRAS GARANTÍAS, EXPRESAS O IMPLÍCITAS QUE INCLUYAN, ENTRE OTRAS, LAS GARANTÍAS DE COMERCIALIZACIÓN O DE CAPACIDAD PARA UN PROPÓSITO EN PARTICULAR**

El recurso provisto en esta garantía es exclusivo y está otorgado en lugar de cualquier otro recurso.

Esta garantía no cubre daños incidentales o consecuentes, de modo que las limitaciones indicadas anteriormente pueden no aplicarse en su caso. Algunos estados no permiten las limitaciones acerca de cuánto tiempo dura una garantía implícita, de modo que las limitaciones arriba indicadas quizás no le correspondan.

Esta garantía le otorga derechos legales específicos, y es posible que usted tenga otros derechos, los cuales varían de un estado a otro.

## INFORMACIÓN A TENER EN CUENTA

Le agradecemos la compra de este producto de marca Haier. Este manual para el usuario lo ayudará a obtener el mejor funcionamiento de su nueva horno de microondas.

Para referencia futura, anote el número de modelo y de serie en el cuadro interior del horno de microondas, y la fecha de compra. Engrape la prueba de compra a este manual para asistirle cuando necesite obtener servicio bajo la garantía.

\_\_\_\_\_  
Número de modelo

\_\_\_\_\_  
Número de serie

\_\_\_\_\_  
Fecha de compra











# IMPORTANT

Do Not Return This Product To The Store  
If you have a problem with this product, please contact the  
"Haier Customer Satisfaction Center" at  
1-877-337-3639.

DATED PROOF OF PURCHASE, MODEL #, AND SERIAL #  
REQUIRED FOR WARRANTY SERVICE

# IMPORTANT

Ne pas Réexpédier ce Produit au Magasin  
Pour tout problème concernant ce produit, veuillez contacter  
le service des consommateurs "Haier Customer Satisfaction Center" au  
1-877-337-3639.

UNE PREUVE D'ACHAT DATEE EST REQUISE POUR BENEFICIER DE LA GARANTIE.

# IMPORTANTE

No regrese este producto a la tienda  
Si tiene algún problema con este producto, por favor contacte el  
"Centro de Servicio al Consumidor de Haier" al  
1-877-337-3639 (Válido solo en E.U.A).  
NECESITA UNA PRUEBA DE COMPRA FECHADA, NÚMERO DE MODELO  
Y DE SERIE PARA EL SERVICIO DE LA GARANTÍA

Made in China  
Fabriqué en Chine  
Hecho en China

# Haier

Haier America  
Wayne, NJ 07470