

Haier

Installation and User Manual
Instructions d'installation et
Guide de l'utilisateur
Instrucciones de instalación y
Manual del usuario
HEBF100BXS

Beverage Center
Centre de boisson
Centro de la bebida



TABLE OF CONTENTS

BEVERAGE CENTER SAFETY	4
Proper Disposal of Your Old Appliance	5
PARTS AND FEATURES	6
INSTALLATION REQUIREMENTS	7
Location Requirements	7
Connecting Electricity	8
INSTALLATION INSTRUCTIONS	9
Step 1 - Unpack Beverage center	9
Step 2 - Door Reversing	10
Step 3 - Level the Beverage Center	13
Step 4 - Complete Installation	13
BEVERAGE CENTER USE	14
Control	14
Shelves	14
Key Eject Lock	14
BEVERAGE CENTER CARE	15
Cleaning	15
Defrosting	16
Vacation and Moving	17
Reinstalling/Using Beverage center Again	18
TROUBLESHOOTING	19
LIMITED WARRANTY	22
RECORD KEEPING	24

BEVERAGE CENTER SAFETY

IMPORTANT SAFETY INSTRUCTIONS

▲WARNING To reduce the risk of fire, explosion, electrical shock, injury to persons, or damage when using the beverage center, follow basic precautions, including the following:

- Use this appliance only for its intended purpose as described in this user manual.
- This appliance must be properly installed in accordance with the installation instructions before it is used. See grounding instructions in the installation section.
- Plug into a grounded 3 prong outlet.
- Do not remove ground prong.
- Do not use an adapter or extension cord.
- Do not repair or replace any part of the appliance unless specifically recommended in the manual. All other servicing should be referred to a qualified technician.
- Disconnect power before servicing.
- Replace all parts and panels before operating.
- Use nonflammable cleaner.
- Do not store or use gasoline or other flammable vapors and liquids in the vicinity of this or any other appliance.
- Do not store explosive substances such as aerosol cans with a flammable propellant in this appliance.
- Before discarding or removing from service, remove the door. This will reduce the possibility of danger to children.
- To avoid serious injury or death, children should not stand on, or play in or with the appliance.
- Children and persons with reduced physical, sensory or mental capabilities or lack of experience and knowledge can use this appliance only if they are supervised or have been given instructions on safe use and understand the hazards involved.
- This appliance is intended to be used in household and similar applications such as: staff kitchen areas in shops, offices and other working environments; farm houses; by clients in hotels, motels, bed & breakfast and other residential environments; catering and similar non-retail applications.

▲CAUTION To reduce the risk of injury when using your beverage center, follow these basic safety precautions.

- Do not clean glass shelves or covers with warm water when they are cold. Glass shelves and covers may break if exposed to sudden temperature changes or impact, such as bumping or dropping. Tempered glass is designed to shatter into many small pieces if it breaks.
- Keep fingers out of the “pinch point” areas; clearances between the door and cabinet are necessarily small. Be careful closing door when children are in the area.
- This unit is designed for storing and cooling beverages. Do not store perishable foods in this unit.

BEVERAGE CENTER SAFETY

STATE OF CALIFORNIA PROPOSITION 65 WARNINGS:

▲ WARNING This product contains one or more chemicals known to the State of California to cause cancer and birth defects or other reproductive harm.

▲ WARNING **EXPLOSION HAZARD Flammable Refrigerant**

This appliance contains isobutane refrigerant, R600a, a natural gas with high environmental compatibility. However, it is also combustible. Adhere to the warnings below to reduce the risk of injury or property damage.

- 1) When handling, installing and operating the appliance, care should be taken to avoid damage to the refrigerant tubing.
- 2) Service shall only be performed by authorized service personnel. Use only manufacturer-authorized service parts.
- 3) Dispose of beverage center in accordance with Federal and Local Regulations. Flammable refrigerant and insulation material used require special disposal procedures. Contact your local authorities for the environmentally safe disposal of your beverage center.
- 4) Keep ventilation openings in the appliance enclosures or in the built-in structure clear of obstruction.
- 5) Do not use mechanical devices or other means to accelerate the defrosting process.
- 6) Do not damage refrigerant circuit.
- 7) Do not use electrical appliances inside the storage compartment of the appliance.

PROPER DISPOSAL OF YOUR OLD APPLIANCE

▲ WARNING **SUFFOCATION AND ENTRAPMENT HAZARD**

Failure to follow these disposal instructions can result in death or serious injury.

IMPORTANT: Child entrapment and suffocation are not problems of the past. Junked or abandoned appliances are still dangerous even if they will sit for "just a few days." If you are getting rid of your old appliance, please follow the instructions below to help prevent accidents.

Before You Throw Away Your Old Appliance:

- Take off the door.
- Leave the shelves in place so that children may not easily climb inside.

BEVERAGE CENTER SAFETY

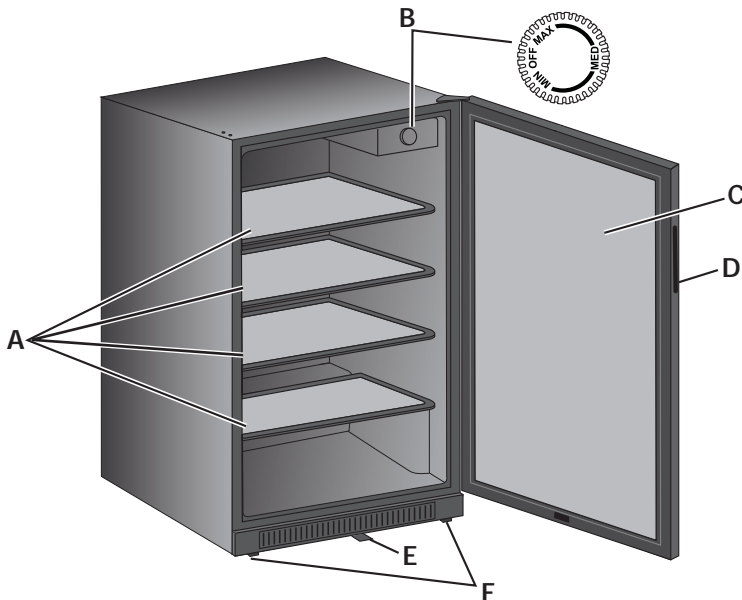
PROPER DISPOSAL OF YOUR OLD APPLIANCE (Cont.)

Refrigerant and Foam Disposal:

Dispose of beverage center in accordance with Federal and Local Regulations. Flammable refrigerant and insulation material used require special disposal procedures. Contact your local authorities for the environmentally safe disposal of your beverage center.

READ AND SAVE THESE INSTRUCTIONS

PARTS AND FEATURES



- A. Full-width Glass Shelves (4)
- B. Temperature Control
- C. See-through Glass Door

- D. Recessed Door Handle
- E. Lock with Key
- F. Leveling Legs (2)

INSTALLATION REQUIREMENTS

LOCATION REQUIREMENTS

⚠ WARNING

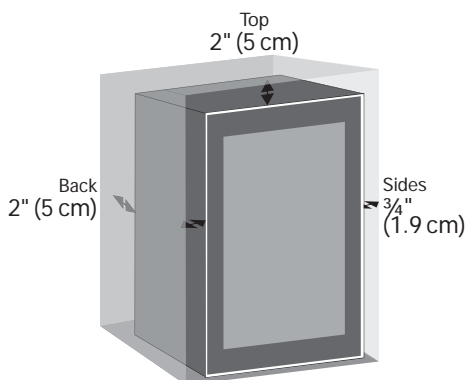


Explosion and Fire Hazard

Keep flammable materials and vapors, such as gasoline, away from appliance.

Failure to do so can result in death, explosion or fire.

Recommended Clearances:



IMPORTANT: This beverage center is designed for freestanding installation only. It should not be recessed or built-in an enclosed cabinet. To ensure your beverage center works at optimum efficiency, you should install it in a location where there is proper air circulation, and electrical connections.

LOCATION REQUIREMENTS

- Do not install the beverage center where the temperature will go below 55°F (13°C) because it will not run often enough to maintain proper temperatures.
- Do not install the beverage center where the temperature will go above 110°F (43°C) because it will not perform properly.
- Install it on a floor strong enough to support it fully loaded.
- Do not install the beverage center in a location exposed to water (rain, etc.) or direct sunlight.

INSTALLATION REQUIREMENTS

CONNECTING ELECTRICITY

⚠ WARNING



ELECTRICAL SHOCK HAZARD

Plug into a grounded 3-prong outlet.

Do not remove the ground prong.

Do not use an adapter.

Do not use an extension cord.

Failure to follow these instructions can result in death, fire, or electrical shock.

Do not, under any circumstances, cut or remove the third (ground) prong from the power cord. For personal safety, this appliance must be properly grounded.

The power cord of this appliance is equipped with a 3-prong (grounding) plug which mates with a standard 3-prong (grounding) wall outlet to minimize the possibility of electric shock hazard from this appliance.

Have the wall outlet and circuit checked by a qualified electrician to make sure the outlet is properly grounded.

Where a standard 2-prong wall outlet is encountered, it is your personal responsibility and obligation to have it replaced with a properly grounded 3-prong wall outlet.

The beverage center should always be plugged into its own individual electrical outlet which has a voltage rating that matches the rating plate.

A 115 Volt AC, 60 Hz, 15- or 20-amp fused, grounded electrical supply is required. This provides the best performance and also prevents overloading house wiring circuits which could cause a fire hazard from overheated wires.

Never unplug your beverage center by pulling on the power cord. Always grip plug firmly and pull straight out from the outlet.

Immediately discontinue use of a damaged supply cord. If the supply cord is damaged, it must be replaced by a qualified service professional with an authorized service part from the manufacturer.

When moving the beverage center away from the wall, be careful not to roll over or damage the power cord.

INSTALLATION INSTRUCTIONS

STEP 1 - UNPACK BEVERAGE CENTER

⚠ WARNING



Explosion and Fire Hazard

Do not puncture refrigerant tubing.

Follow handling instructions carefully.

Flammable refrigerant used.

Failure to do so can result in death, explosion or fire.

IMPORTANT: Handle with care when moving beverage center to avoid either damaging the refrigerant tubing or increasing the risk of a leak.

IMPORTANT: When moving the beverage center, never tilt it more than a 45° angle. This could damage the compressor and the sealed system. If the beverage center has been placed in a horizontal position for any period of time, wait 30 minutes before plugging in the beverage center to allow the refrigerant to settle.

REMOVE PACKAGING

- Remove tape and glue residue from surfaces before turning on the beverage center. Rub a small amount of liquid dish soap over the adhesive with your fingers. Wipe with warm water and dry.

NOTE: Do not use sharp instruments, rubbing alcohol, flammable fluids, or abrasive cleaners to remove tape or glue. These products can damage the surface of your beverage center. For more information, see "Beverage Center Safety."

- Dispose of/recycle all packaging materials.

CLEAN BEFORE USING

After you remove all of the packaging materials, clean the inside of the beverage center before using it. See the cleaning instructions in "Beverage Center Care."

INSTALLATION REQUIREMENTS

STEP 2 - DOOR REVERSING (Optional)

⚠ WARNING Follow all steps when reversing the door swing. Failure to follow these instructions, leaving off parts, or overtightening screws, can lead to the door falling off and result in injury and property damage.

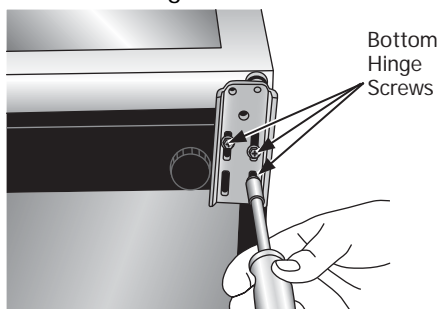
The door hinges are factory installed on the right-hand side. If you want the doors to open from the opposite direction, you can reverse the door swing.

TOOLS NEEDED

- 5/16" Hex-head Wrench
- 3 mm Hex Key
- Putty Knife

IMPORTANT:

- Before you begin, unplug the beverage center, or disconnect power.
 - The door is heavy and fragile and the door front is glass. To avoid door glass breakage, use both hands and grasp only the sides of the door to remove.
1. Using two or more people, gently lay the beverage center on its back.
 2. Using a 5/16" hex-head wrench, remove the three hexagonal screws fastening the bottom hinge to the cabinet, and set aside.

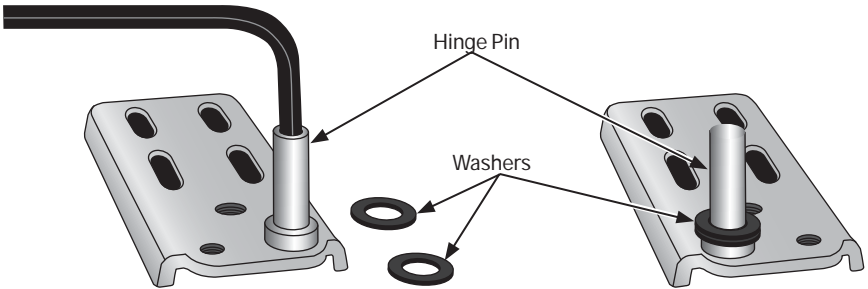


3. Remove the bottom hinge and the two washers. Set the washers aside.

INSTALLATION INSTRUCTIONS

STEP 2 - REVERSE DOOR (Optional) (Cont.)

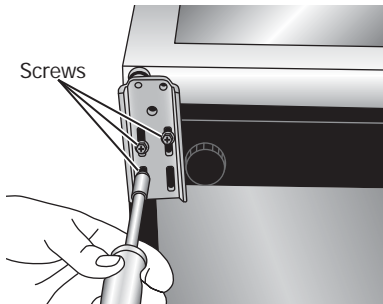
- Using a 3 mm hex key remove the hinge pin from the bottom hinge, and then reinstall the hinge pin in the hole next to the hole from which it was removed. Replace the two washers.



- Remove the screw from the bottom of the cabinet and move it to the matching hole on the opposite side.



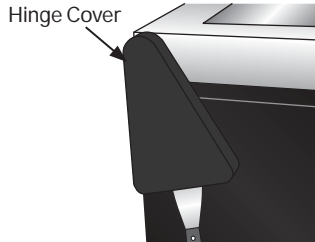
- Using the three hex-head screws removed earlier, reinstall the bottom hinge on the opposite side.



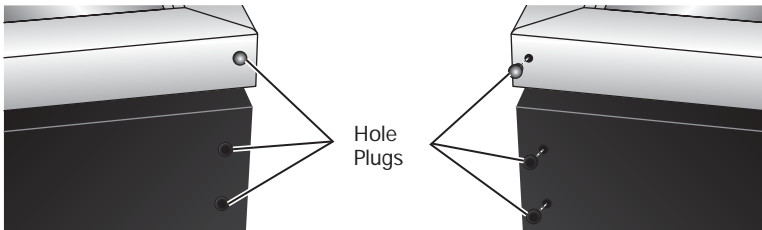
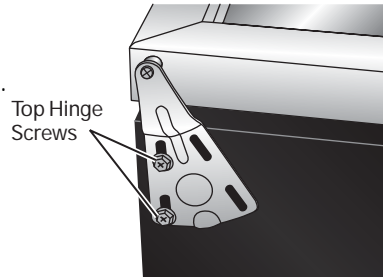
INSTALLATION INSTRUCTIONS

STEP 2 - REVERSE DOOR (Optional) (Cont.)

7. Using a putty knife, gently pry upward on the back edge of the top hinge cover to remove.

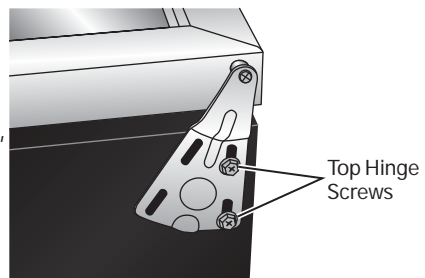


8. Using a 5/16" hex-head wrench, remove the two screws fastening the top hinge, and then remove the hinge.
9. Using the putty knife remove the hole plug from the door and the two hole plugs from the cabinet, and then replace them in the holes remaining from removing the top hinge.



10. Reinstall the top hinge on the opposite side.
11. Replace the top hinge cover.
12. Stand the beverage center upright, and check that the door is aligned with the cabinet.

NOTE: If the top of the door is not aligned with the cabinet, loosen the top hinge screws, adjust door and re-tighten top hinge screws.



INSTALLATION INSTRUCTIONS

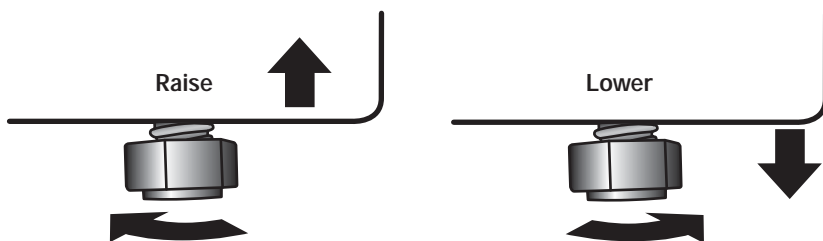
STEP 3 - LEVEL BEVERAGE CENTER

Your beverage center has two leveling legs located in the front, bottom corners. After placing the beverage center in its final position, level the beverage center.

NOTE: The beverage center door will close easier when leveling legs are extended.

Adjust the Leveling Legs:

- To Raise – Turn the leveling legs to the left.
- To Lower – Turn the leveling legs to the right.



STEP 4 - COMPLETE INSTALLATION

⚠ WARNING



Electrical Shock Hazard

Plug into a grounded 3 prong outlet.

Do not remove the ground prong from the power cord plug.

Do not use an adapter.

Do not use an extension cord.

Failure to do so can result in death, fire or electrical shock.

- Plug into a grounded 3 prong outlet.

BEVERAGE CENTER USE

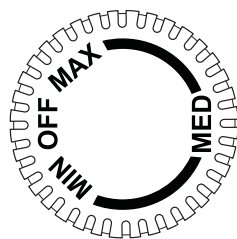
TEMPERATURE CONTROL

The temperature control dial has three temperature settings and OFF. The MIN setting is the least cold and the MAX setting is the coldest.

IMPORTANT: Turning the control to Off turns off cooling in the beverage center; it does NOT disconnect the beverage center from the power supply.

Set the temperature control to MED. Allow 24 hours to cool before making further temperature adjustments.

NOTE: The beverage center will automatically maintain the temperature level you select.



SHELVES

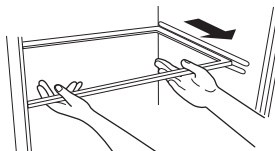
To accommodate your storage needs, there are four glass shelves.

⚠ CAUTION

Do not clean glass shelves or covers with warm water when they are cold. Glass shelves and covers may break if exposed to sudden temperature changes or impact, such as bumping or dropping. Tempered glass is designed to shatter into many small pieces if it breaks.

To Remove or Replace a Shelf:

- To Remove - Tilt the front of the shelf upward, and then slowly slide it forward.
- To Replace - Align the shelf with the supports and gently slide the shelf toward the rear.

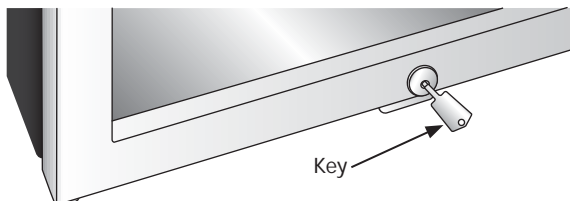


KEY EJECT LOCK

The lock is spring loaded so the key cannot be left in the lock. To lock or unlock, press the key in while turning. If the key is lost, contact your dealer for a replacement call 877.337.3639 for US customers. In Canada, call 877.470.9174. Always give the model and serial number of the freezer when requesting a replacement key.

⚠ WARNING

To prevent a child from being entrapped, keep the key out of reach of children and away from the freezer.



BEVERAGE CENTER CARE

CLEANING

⚠ WARNING



Explosion Hazard

Use nonflammable cleaner.

Failure to do so can result in death, explosion or fire.

IMPORTANT: Do not use harsh chemicals, ammonia, chlorine bleach, concentrated detergent, solvents, abrasives or metal scouring pads to clean your product inside or out. They can damage and/or discolor the finish.

⚠ WARNING



Electrical Shock Hazard

Unplug your appliance or disconnect power before cleaning.

Failure to do so can result in death, electric shock or personal injury.

General

1. Unplug or disconnect power.
2. Wash interior surfaces, accessories, and outer frame with a solution of warm water mixed with 3 - 4 tablespoons of baking soda.

NOTE: Before using cleaning products, always read and follow manufacturer's instructions and warnings to avoid personal injury or product damage. Before cleaning glass shelves or covers, read **SHELVES** section for instructions.

3. Rinse with clean, warm water.
4. Dry thoroughly with a soft cloth.
5. Plug in or reconnect power.

Door Gaskets

Gaskets must be kept clean and pliable to ensure a proper seal.

- Clean door gaskets every 3 months with solution of baking soda and warm water.
- Petroleum jelly applied lightly to the hinge-side gasket will keep the gasket pliable and ensure a good seal.

BEVERAGE CENTER CARE

DEFROSTING

⚠ DANGER



Explosion and Fire Hazard

Flammable refrigerant used.

Do not puncture refrigerant tubing.

Failure to do so can result in death, explosion or fire.

For most efficient operation and minimum energy consumption, defrost whenever the frost becomes 1/8" (3.2 mm) thick.

IMPORTANT:

- Do not use mechanical devices to defrost.

Under normal operating conditions, the beverage center is designed to self defrost during periods when the cooling system cycles off.

Under conditions of extreme heat and humidity, and/or prolonged or frequent door openings, you may notice frost build up on the cold plate on the interior rear wall. This frost can be removed through a manual defrost.

To manually defrost:

1. Turn the temperature control dial to OFF.
2. After the frost has been cleared, move the temperature control dial back to its original position.

⚠ WARNING



Electrical Shock Hazard

Plug into a grounded 3 prong outlet.

Do not remove the ground prong from the power cord plug.

Do not use an adapter.

Do not use an extension cord.

Failure to do so can result in death, fire or electrical shock.

BEVERAGE CENTER CARE

VACATION AND MOVING

Vacation

If you will be away for an extended period of time and do not want to leave the appliance on while you are gone, prepare it for your absence.

1. Remove all items.
2. Turn the temperature control to the 0 (OFF) position.
3. Unplug or disconnect power.
4. Clean the interior. See "Cleaning."
5. Clean lid/door gaskets. See "Cleaning."
6. Prop doors open, so air can circulate inside.

Moving

If you are moving your beverage center to a new home, prepare the appliance for the move.

⚠ WARNING



Explosion and Fire Hazard

Do not puncture refrigerant tubing.

Follow handling instructions carefully.

Flammable refrigerant used.

Failure to do so can result in death, explosion or fire.

IMPORTANT:

- Handle with care when moving to avoid either damaging the refrigerant tubing or increasing the risk of a leak.
 - When moving the beverage center, never tilt it more than a 45° angle. This could damage the compressor and the sealed system.
1. Complete vacation preparation steps 1 through 5. See "Vacation."
 2. Take out all removable parts, wrap them well, and tape them together so they don't shift and rattle during the move.
 3. Tape the lid/door closed and tape the power cord to the back of the beverage center.

BEVERAGE CENTER CARE

REINSTALLING/USING BEVERAGE CENTER AGAIN

IMPORTANT: If the beverage center has been placed in a horizontal or tilted position for any period of time, wait 30 minutes before plugging in the beverage center to allow the refrigerant to settle.

1. Clean beverage center. See Cleaning.
2. Place beverage center in desired location and level. See Installation Instructions.

⚠ WARNING



Electrical Shock Hazard

Plug into a grounded 3 prong outlet.

Do not remove the ground prong from the power cord plug.

Do not use an adapter.

Do not use an extension cord.

Failure to do so can result in death, fire or electrical shock.

3. Plug into a grounded 3 prong outlet.

TROUBLESHOOTING

First try the solutions suggested here to possibly avoid the cost of a service call.

PROBLEM	POSSIBLE CAUSE(S)	SOLUTION
<i>Beverage center does not run.</i>	Beverage center is unplugged.	Plug beverage center into a grounded 3 prong outlet.
	The circuit breaker is tripped/turned off or the fuse is blown.	Reset/Turn on circuit breaker or replace fuse.
	The temperature control is in the 0 (OFF) position.	Turn the temperature control to a setting between 1 and 5.
	The compressor has cycled off.	Wait 30 to 40 minutes to see whether the compressor will start.
<i>Compressor runs too frequently</i>	The room temperature is hot and/or humid.	This is normal to maintain constant temperature during high temperature, humid days.
	Beverage center door is ajar.	Close the door completely
	The door gasket is not sealing properly.	Clean the door gasket. See Cleaning.
	Frequent or prolonged door openings.	Limit door openings to maintain the internal temperature.
	Door is blocked open.	Rearrange or remove items that are keeping the door from closing completely.
<i>Door does not close properly</i>	Beverage center is not level or door is not aligned.	Level beverage center or align the door.
	Door is blocked open.	Rearrange or remove items that are keeping the door from closing completely.
<i>Beverage center is too warm</i>	The door is opened frequently.	Limit door openings.
	A large amount of beverages was recently added.	Allow time for recently added beverages to cool.
	The door is not sealing properly.	Clean the door gasket. See Cleaning.
	The control is not set to a cold enough temperature.	Adjust the temperature control to a colder setting.
<i>Beverage center is too cold</i>	The control is set to a too cold setting.	Adjust the temperature to a less cold setting.

TROUBLESHOOTING

First try the solutions suggested here to possibly avoid the cost of a service call.

PROBLEM	POSSIBLE CAUSE(S)	SOLUTION
<i>Beverage center has an odor.</i>	The beverage center needs cleaning.	Clean beverage center. See Cleaning.
<i>Gurgling sound</i>	Refrigerant circulating through the cooling coils.	This sound is normal.
<i>Clicking</i>	The temperature control cycling on and off.	This sound is normal.
<i>Popping or cracking sound when compressor comes on</i>	Beverage center is not level.	Level the beverage center. See Leveling. If the floor is uneven, you may need to place metal or wood shims underpart of the beverage center.
	The beverage center is touching a wall.	Move the beverage center away from the wall and re-level, if necessary.

NOTES

LIMITED WARRANTY

12 Months on Parts and Labor

For 12 months from the date of original retail purchase, GE Appliances will replace any part of the beverage center that fails due to a defect in materials or workmanship. GE Appliances will choose, at its discretion, to replace or service the defective unit. Should GE Appliances decide to service the unit, GE Appliances will provide any part which fails due to a defect in materials or workmanship free of charge, along with any labor and related service costs to replace the defective part. During this period, should GE Appliances choose to replace the unit, it may do so by providing you with a certificate redeemable at a retailer for a replacement product.

Product must be accessible, without encumbrance and installed properly to receive warranty repair service.

NOTE: This warranty commences on the date the item was purchased, and the original purchase receipt must be presented to the authorized service representative before warranty repairs are rendered.

FOR WARRANTY SERVICE

For US Customers, all warranty service must be performed by our Factory Service centers or an authorized Customer Care Technician. To schedule service, call 1-877-337-3639.

Please have serial number and model number available when calling for service.

In Canada, call 1.877.470.9174.

What is not covered by this warranty:

Service trips to your home to teach you how to use the product.

Improper installation, delivery, or maintenance.

Failure of the product if it is abused, misused, or used for other than the intended purpose or used commercially.

Loss of food due to spoilage.

Damage caused after delivery.

Replacement of house fuses or resetting of circuit breakers.

Replacement of the light bulbs.

Damage to the product caused by accident, fire, floods or acts of God.

Incidental or consequential damage caused by possible defects in this appliance.

Product not accessible to provide required service.

Associated costs when GE Appliances chooses to issue the consumer a certificate as a form of product replacement.

EXCLUSION OF IMPLIED WARRANTIES - Your sole and exclusive remedy is product repair as provided in this Limited Warranty. Any implied warranties, including the implied warranties of merchantability or fitness for a particular purpose, are limited to one year or the shortest period allowed by law.

LIMITED WARRANTY

For US Customers: This warranty is extended to the original purchaser and any succeeding owner for products purchased for home use within the USA. If the product is located in an area where service by a GE Appliances Authorized Servicer is not available, you may be responsible for a trip charge or you may be required to bring the product to an Authorized GE Appliances Service location for service. In Alaska, the warranty excludes the cost of shipping or service calls to your home.

Some states do not allow the exclusion or limitation of incidental or consequential damages. This warranty gives you specific legal rights, and you may also have other rights which vary from state to state. To know what your legal rights are, consult your local or state consumer affairs office or your state's Attorney General.

Warrantor US:
GE Appliances, a Haier company

For Customers in Canada: This warranty is extended to the original purchaser and any succeeding owner for products purchased in Canada for home use within Canada. In-home warranty service will be provided in areas where it is available and deemed reasonable by Mabe to provide.

Warrantor Canada:
MC Commercial, Burlington, Ontario,
L7R 5B6

RECORD KEEPING

Thank you for purchasing this Haier product. This user manual will help you get the best performance from your new beverage center.

For future reference, record the model number, serial number, and the date of purchase. The model/serial number plate is located on the inside wall of the beverage center.

Staple your proof of purchase to this manual to aid in obtaining warranty service if needed.

Model number

Serial number

Date of purchase

TABLE DES MATIÈRES

SÉCURITÉ DU CENTRE DE BOISSON	26
Mise au rebut de votre vieil appareil réfrigéré	27
PIÈCES ET CARACTÉRISTIQUES	28
EXIGENCES D'INSTALLATION	29
Exigences d'emplacement	29
Branchements électriques	30
INSTRUCTIONS D'INSTALLATION	31
Étape 1 - Déballage du centre de boisson	31
Étape 2 - Inversion du sens d'ouverture de la porte	32
Étape 3 - Réglage de l'aplomb du centre de boisson	34
Étape 4 - Fin de l'installation	35
UTILISATION DU CENTRE DE BOISSON	36
Commande	36
Clayettes	36
Verrou à éjection de clé	36
ENTRETIEN DU CENTRE DE BOISSON	37
Nettoyage	37
Dégivrage	38
Vacances ou le déménagement	39
Réinstallation/réutilisation du centre de boisson	40
DÉPANNAGE	41
GARANTIE LIMITÉE	43
DOCUMENTS À CONSERVER	44

IMPORTANTES INSTRUCTIONS DE SÉCURITÉ

⚠ AVERTISSEMENT

■ An de réduire le risque d'incendie, d'explosion, de choc électrique, de blessures corporelles ou de dommage lors de l'utilisation du centre de boisson, il convient d'observer certaines précautions fondamentales, notamment :

- Utiliser cet appareil uniquement dans le but auquel il est destiné et tel que décrit dans le présent manuel d'utilisation.
- Avant utilisation, cette centre de boissons doit être correctement installée conformément aux instructions d'installation. Voir les instructions de mise à la terre incluses dans les instructions d'installation.
- Brancher sur une prise à 3 alvéoles reliée à la terre.
- Ne pas enlever la prise de liaison à la terre.
- Ne pas utiliser d'adaptateur ou de rallonge.
- Ne réparer ni remplacer aucune pièce de l'appareil sans recommandation spécifique du manuel. Toutes les autres tâches d'entretien doivent être effectuées par un technicien qualifié.
- Déconnecter la source de courant électrique avant l'entretien.
- Replacer pièces et panneaux avant de faire la mise en marche.
- Utiliser un produit de nettoyage ininflammable.
- Abstenez-vous d'entreposer ou d'utiliser de l'essence ou d'autres vapeurs et liquides inflammables aux alentours de cet électroménager ou d'autres appareils.
- N'entreposez pas dans cet électroménager des substances explosives telles que des bombes aérosols qui contiennent un gaz propulseur.
- Avant de jeter l'appareil ou de le rendre inutilisable, retirer la porte. Cela réduira la possibilité de danger pour les enfants.
- Afin de prévenir les accidents graves ou la mort, les enfants ne doivent pas se tenir ni jouer dans ou sur l'électroménager.
- Les enfants et les personnes dont les capacités sont réduites sur le plan physique, sensoriel ou mental, ou qui manquent d'expérience ou de connaissances, peuvent utiliser cet électroménager seulement si elles sont surveillées ou ont reçues des consignes de sécurité sur son usage et les risques y sont associés.
- Cet électroménager est conçu pour une utilisation domestique et applications similaires : salle du personnel dans une usine, un bureau ou d'autres lieux de travail; maison de ferme; clients dans un hôtel, un motel, un gîte touristique et d'autres lieux résidentiels; approvisionnement et applications similaires non reliées au commerce de détail..

⚠ ATTENTION

- Pour réduire le risque de blessures lorsque vous utilisez votre centre de boisson, veuillez suivre les consignes de sécurité suivantes :
- Éloignez les doigts des parties du centre de boisson où l'on peut facilement se pincer : les espaces entre la porte et la cuve sont toujours étroits. Soyez prudent lorsque vous fermez la porte en présence d'enfants.
 - Gardez les doigts à l'écart des zones de pincement; les dégagements entre la porte et la carrosserie sont nécessairement petits. Usez de prudence en fermant la porte lorsque des enfants sont alentour.
 - Cet appareil conçu pour stocker et refroidir des boissons. Ne stockez pas d'aliments périssables dans cet appareil.

SÉCURITÉ DU CENTRE DE BOISSON

AVERTISSEMENTS DE LA PROPOSITION 65 DE L'ÉTAT DE LA CALIFORNIE:

▲ AVERTISSEMENT

Ce produit contient une ou plusieurs substances chimiques reconnues par l'État de Californie pour causer le cancer et des anomalies congénitales ou d'autres problèmes liés à la reproduction.

▲ AVERTISSEMENT



RISQUE D'EXPLOSION

Fluide frigorigène inflammable

Cet électroménager contient le réfrigérant isobutane, R600a, un gaz naturel à compatibilité élevée avec l'environnement. Il s'agit cependant d'un combustible. Observez les consignes de sécurité ci-dessous afin de réduire le risque de blessure ou de dommage à la propriété.

- 1) Lors de la manipulation, de l'installation et de l'utilisation de cet appareil, prenez soin de ne pas endommager les tubes de circulation du fluide frigorigène.
- 2) L'entretien ou la réparation doivent être effectués par un personnel de service autorisé. Utilisez seulement des pièces de rechange autorisées par le fabricant.
- 3) Mettez le centre de boisson au rebut conformément aux réglementations fédérales et locales. Le fluide frigorigène inflammable et le matériel isolant utilisés nécessitent des procédures de mise au rebut spéciales. Communiquez avec les autorités locales compétentes pour la mise au rebut de votre centre de boisson sans danger pour l'environnement.
- 4) N'obstruez pas les événements dans l'enceinte prévue pour l'appareil.
- 5) N'utilisez pas d'appareils ou autres moyens mécaniques pour accélérer le processus de dégivrage.
- 6) N'endommagez pas le circuit du fluide frigorigène.
- 7) N'utilisez pas d'appareils électriques dans le compartiment centre de boisson de cet appareil.

MISE AU REBUT DE VOTRE VIEIL APPAREIL

▲ AVERTISSEMENT

RISQUE DE SUFFOQUER OU D'Y ÊTRE EMPRISONNÉ

Le non-respect de ces instructions d'élimination peut entraîner la mort ou des blessures graves.

IMPORTANT: Les enfants pris au piège ou morts d'asphyxie sont toujours d'actualité. Les centres de boissons et congélateurs abandonnés sont toujours aussi dangereux, même si on n'attend que «quelques jours» pour s'en débarrasser. Si vous ne gardez pas votre ancien centre de boisson ou congélateur, veuillez suivre les directives ci-dessous afin de prévenir les accidents.

Avant de vous débarrasser de votre ancien appareil

- Ôter les porte.
- Laisser les tablettes en place de sorte que les enfants ne puissent pas y pénétrer facilement.

SÉCURITÉ DU CENTRE DE BOISSON

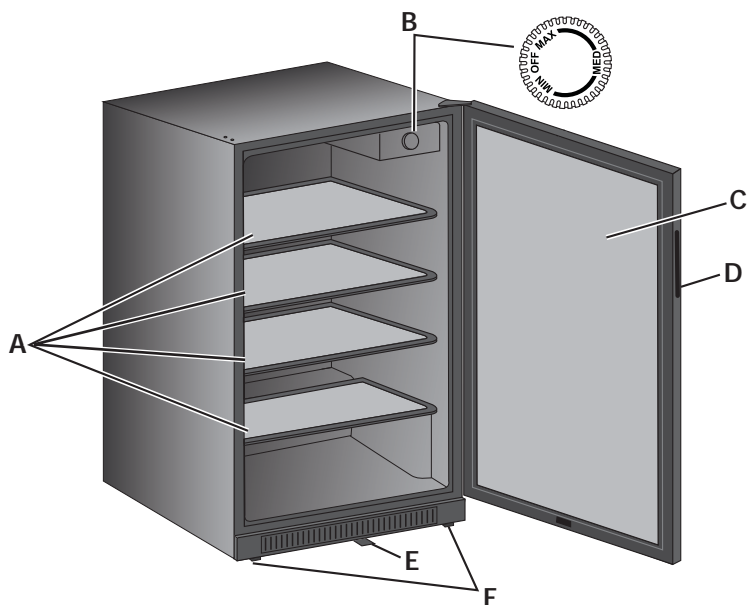
MISE AU REBUT DE VOTRE VIEIL APPAREIL (Suite)

Mise au rebut des produits réfrigérants et en mousse

Mettez l'électroménager au rebut conformément à la réglementation fédérale et locale. Le fluide frigorigène inflammable et le matériel isolant utilisés nécessitent des procédures de mise au rebut spéciales. Communiquez avec les autorités locales pour connaître la façon de mettre votre électroménager au rebut qui soit respectueuse de l'environnement.

LIRE ET CONSERVER CES INSTRUCTIONS

PIÈCES ET CARACTÉRISTIQUES



A. Tablettes en verre pleine largeur (4)

B. Commande de température

C. Porte en verre transparente

D. Poignée de porte encastrée

E. Verrouillage avec clé

F. Pieds de nivellement (2)

EXIGENCES D'INSTALLATION

EXIGENCES D'EMPLACEMENT

⚠ AVERTISSEMENT

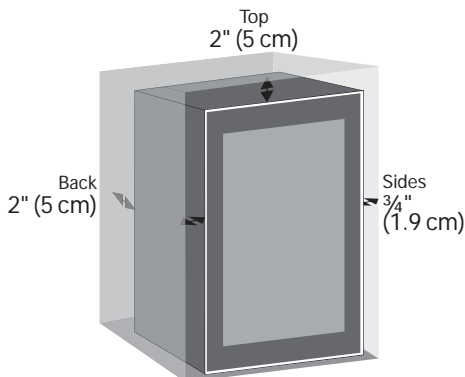


Risque d'explosion ou Incendie

Garder les matériaux et les vapeurs inflammables, telles que l'essence, loin de l'appareil.

Le non-respect de cette instruction peut causer un décès, une explosion ou un incendie.

Distances de dégagement recommandées :



IMPORTANT : Ce centre de boisson est conçu uniquement pour être utilisé d'une manière autoportante. Il ne doit pas être encastré ni installé dans un placard fermé. Pour vous assurer que le centre de boisson fonctionne à son efficacité optimale, il doit être installé dans un endroit où la circulation d'air et les raccordements électriques sont appropriés.

EMPLACEMENT DU CENTRE DE BOISSON

- N'installez pas le centre de boisson dans une pièce où les températures descendent en-dessous de 55 °F (13 °C) parce qu'il serait difficile d'y maintenir une température correcte.
- N'installez pas le centre de boisson dans un endroit où la température ambiante sera supérieure à 110 °F (43 °C). Il ne fonctionnera pas correctement.
- Il doit être installé sur une surface suffisamment solide pour supporter le poids d'un centre de boisson rempli.
- N'installez pas le centre de boisson dans un endroit exposé à l'eau (pluie, etc.) ou directement aux rayons solaires.

EXIGENCES D'INSTALLATION

BRANCHEMENTS ÉLECTRIQUES

⚠ AVERTISSEMENT



RISQUE DE CHOC ÉLECTRIQUE

Branchez l'appareil dans une prise triple avec terre.

Ne retirez pas la broche de terre.

N'utilisez pas d'adaptateur.

N'utilisez pas un cordon de rallonge.

Le non-respect de ces instructions peut entraîner des risques d'incendies, des chocs électriques ou la mort.

Ne coupez pas ou n'enlevez pas, sous aucun prétexte, la troisième broche de mise à la terre du cordon d'alimentation. Pour des raisons de sécurité, cet appareil doit être correctement mis à la terre.

Le cordon d'alimentation de cet appareil est équipé d'une fiche à trois broches (pour une mise à la terre) qui s'adapte à la prise de courant standard à 3 broches (pour une mise à la terre) pour minimiser les risques de chocs électriques par cet appareil.

Faites vérifier la prise murale et le circuit électrique par un électricien qualifié pour s'assurer que le système est correctement mis à la terre.

Dans le cas d'une prise biphasée, l'installateur a la responsabilité et l'obligation de la remplacer par une prise triphasée correctement mise à la terre. N'utilisez pas d'adaptateur.

Le centre de boisson doit toujours être branché à sa propre prise électrique d'une tension nominale correspondant à celle indiquée sur sa plaque signalétique.

Une alimentation électrique à 115 volts CA, 60 Hz, avec un fusible de 15 ou 20 ampères et une mise à la terre est nécessaire. Ceci permet d'obtenir un meilleur rendement et évite de surcharger les circuits électriques du domicile qui risque d'occasionner un incendie en surchauffant.

Ne débranchez jamais le centre de boisson en tirant sur le cordon d'alimentation. Prenez toujours fermement la fiche en main et tirez pour la sortir de la prise.

Cessez immédiatement d'utiliser un cordon électrique endommagé. Si le cordon électrique est endommagé, son remplacement doit être effectué par un technicien en réparation qualifié au moyen d'un cordon de rechange autorisé par le fabricant.

Lorsque vous éloignez votre centre de boisson du mur, faites attention à ne pas le faire rouler sur le cordon d'alimentation afin de ne pas l'endommager.

INSTRUCTIONS D'INSTALLATION

ÉTAPE 1 - DÉBALLAGE DU CENTRE DE BOISSON

⚠ AVERTISSEMENT



Risque d'explosion ou Incendie

Ne pas perforer le circuit frigorigène.

Suivre attentivement les instructions de manipulation.

Utilisation d'un liquide frigorigène inflammable.

Le non-respect de cette instruction peut causer un décès, une explosion ou un incendie.

IMPORTANT : Manipuler le centre de boisson avec précautions lorsqu'il est déplacé soit pour éviter d'endommager le circuit frigorigène, soit pour diminuer le risque de fuites.

IMPORTANT : Lorsque le centre de boisson est déplacé, ne jamais l'incliner à plus de 45°. Cela pourrait endommager le compresseur et le système scellé. Si le centre de boisson a été placé en position horizontale pendant un moment, attendre 30 minutes avant de brancher le centre de boisson pour que le réfrigérant se remette en place.

RETRAIT DES MATÉRIAUX D'EMBALLAGE

- Enlever tout résidu de ruban adhésif et de colle des surfaces du centre de boisson avant de le mettre en marche. Frotter une petite quantité de savon liquide à vaisselle sur l'adhésif avec les doigts. Rincer à l'eau tiède et sécher.

REMARQUE : Ne pas utiliser d'instruments coupants, d'alcool à friction, de liquides inflammables ou de nettoyants abrasifs pour enlever le ruban adhésif ou la colle. Ces produits peuvent endommager la surface du centre de boisson. Pour plus de renseignements, voir "Sécurité du centre de boisson".

- Jeter/recycler tous les matériaux d'emballage.

NETTOYAGE AVANT UTILISATION

Après avoir enlevé tous les matériaux d'emballage, nettoyer l'intérieur du centre de boisson avant de l'utiliser. Voir les instructions de nettoyage dans "Entretien du centre de boisson".

EXIGENCES D'INSTALLATION

ÉTAPE 2 - INVERSION DU SENS D'OUVERTURE DE LA PORTE (Facultatif)

⚠ AVERTISSEMENT

Suivez toutes les étapes lors du changement d'ouverture de la porte. La porte risque de tomber en plus de causer des blessures ou des dommages si vous ne respectez pas ces instructions, oubliez des pièces ou effectuez un serrage excessif des vis.

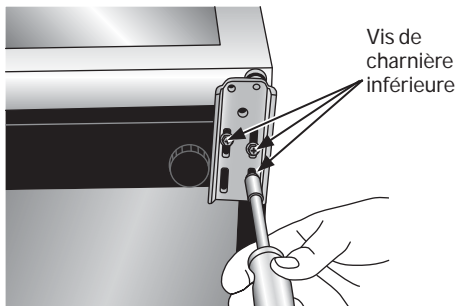
Les charnières de porte ont été installées à l'usine sur le côté droit de l'appareil. Si l'on souhaite que la porte s'ouvre sur le côté opposé, le sens d'ouverture de la porte peut alors être inversé.

OUTILS NÉCESSAIRES

- Clé hexagonale de 5/16"
- Clé hexagonale de 3 mm
- Couteau à mastiquer

IMPORTANT:

- Avant de commencer, débrancher le centre de boisson ou déconnecter la source de courant électrique.
 - La porte est lourde et fragile, et l'avant de la porte est en verre. Pour éviter de briser le verre de la porte, utiliser les deux mains et agripper uniquement les côtés de la porte pour la retirer.
1. À deux personnes ou plus, coucher délicatement le centre de boisson pour boissons sur le dos.

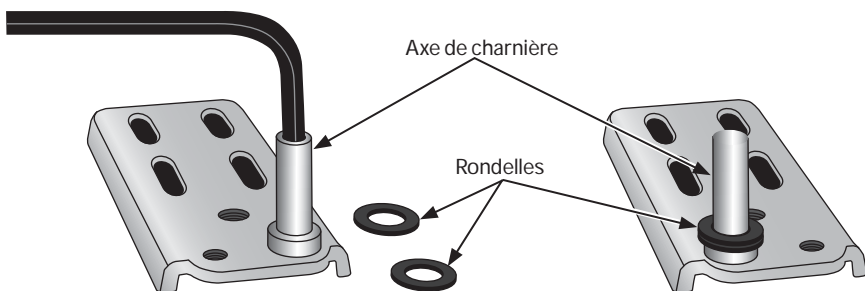


2. À l'aide d'une clé hexagonale de 5/16", retirer les trois vis hexagonales fixant la charnière inférieure à la caisse, puis les mettre de côté.
3. Retirer la charnière inférieure et les deux rondelles. Mettre les rondelles de côté.

INSTRUCTIONS D'INSTALLATION

ÉTAPE 2 - INVERSION DU SENS D'OUVERTURE DE LA PORTE (Facultatif) (Suite)

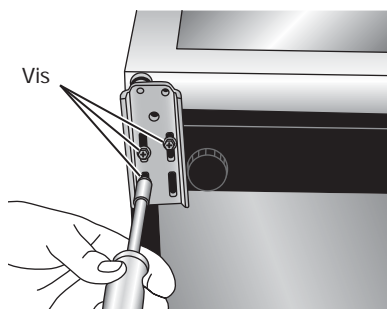
4. À l'aide d'une clé hexagonale de 3 mm, retirer l'axe de la charnière inférieure, puis réinstaller l'axe de charnière dans le trou juxtaposé au trou duquel il a été retiré. Réinstaller les deux rondelles.



5. Retirer la vis située au bas de la caisse, puis la déplacer dans le trou correspondant du côté opposé.



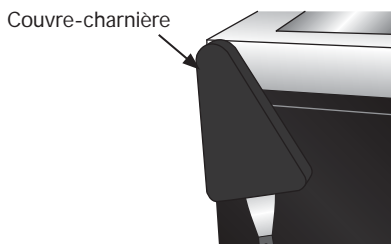
6. Au moyen des trois vis à tête hexagonale retirées précédemment, réinstaller la charnière inférieure sur le côté opposé de la caisse.



INSTRUCTIONS D'INSTALLATION

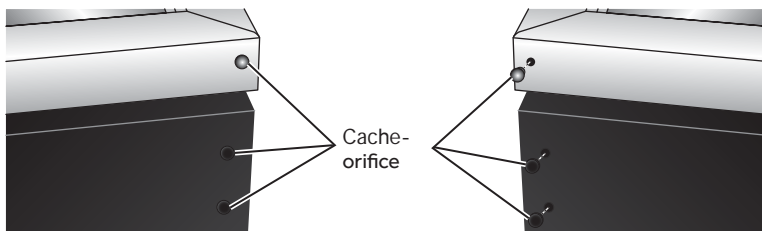
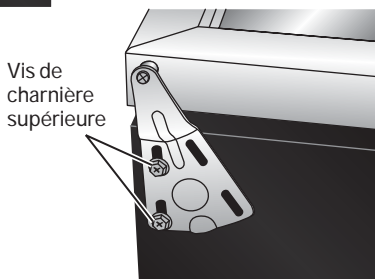
ÉTAPE 2 - INVERSION DU SENS D'OUVERTURE DE LA PORTE (Facultatif) (Suite)

7. À l'aide d'un couteau à mastiquer, en faisant levier, soulever délicatement le bord arrière du couvre-charnière supérieur pour le retirer.



8. À l'aide d'une clé à tête hexagonale de 5/16", retirer les deux vis fixant la charnière supérieure, puis retirer la charnière.

9. À l'aide du couteau à mastiquer, retirer le cache-orifice de la porte et les deux cache-orifices de la caisse, puis les insérer dans les trous restants, révélés lors du retrait de la charnière supérieure.

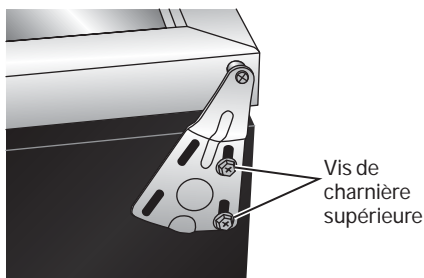


10. Réinstaller la charnière supérieure sur le côté opposé.

11. Réinstaller le couvre-charnière supérieur.

12. Mettre le centre de boisson pour boissons en position verticale, puis vérifier que la porte est bien alignée avec la caisse.

REMARQUE : Si le sommet de la porte n'est pas aligné avec la caisse, desserrer les vis de la charnière supérieure, ajuster l'alignement de la porte, puis resserrer les vis de la charnière supérieure.



INSTRUCTIONS D'INSTALLATION

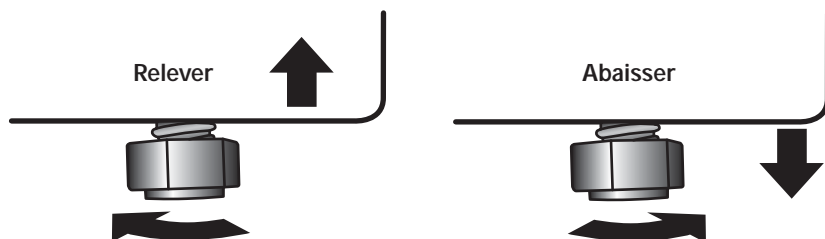
ÉTAPE 3 - RÉGLAGE DE L'APLOMB DU CENTRE DE BOISSON

Ce centre de boisson est équipé de deux pieds de nivellement situés dans les coins avant et arrière. Après avoir installé le centre de boisson à son emplacement final, régler son aplomb.

REMARQUE : La porte du centre de boisson se ferme plus facilement.

Réglage des pieds de nivellement :

- Pour soulever – Tourner les pieds de nivellement vers la gauche.
- Pour abaisser – Tourner les pieds de nivellement vers la droite.



ÉTAPE 4- FIN DE L'INSTALLATION

⚠ AVERTISSEMENT



Risque de choc électrique

Brancher sur une prise à 3 alvéoles reliée à la terre.

Ne pas enlever la broche de liaison à la terre du cordon d'alimentation.

Ne pas utiliser un adaptateur.

Ne pas utiliser un câble de rallonge.

Le non-respect de cette instruction pourrait causer un décès, un incendie ou un choc électrique.

- Brancher sur une prise de courant à 3 alvéoles, reliée à la terre.

UTILISATION DU CENTRE DE BOISSON

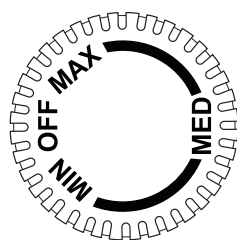
COMMANDE DE LA TEMPÉRATURE

Le cadran rotatif de commande de la température comporte trois réglages de niveau de température et un réglage OFF (arrêt). Le réglage MIN est le moins froid et le réglage MAX le plus froid.

IMPORTANT : Le fait de tourner le bouton de contrôle à "OFF" ne débranche pas le centre de boissons de la source d'alimentation électrique.

Régler la commande de la température sur MED (moyen). Laisser l'appareil refroidir pendant 24 heures avant de modifier le réglage de la température.

REMARQUE : Le réfrigérateur pour boissons maintiendra automatiquement le niveau de température réglé.



SYSTÈME DE CLAYETTES

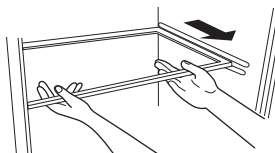
Pour tous vos besoins d'entreposage, trois clayettes en verre sont mises à votre disposition.

⚠ ATTENTION

Ne nettoyez pas les tablettes ou couvercles en verre avec de l'eau chaude lorsqu'ils sont froids. Les tablettes et couvercles en verre peuvent se briser s'ils sont exposés à une variation de température soudaine, ou soumis à un impact s'ils sont heurtés ou échappés. S'il se brise, le verre trempé est conçu pour se fracturer en un grand nombre de petits éclats.

Pour retirer ou remettre en place une tablette :

- Pour retirer - Incliner l'avant de la tablette vers le haut, puis la faire doucement glisser vers l'avant.
- Pour remettre en place - Aligner la tablette sur les supports et la faire doucement glisser vers l'arrière.

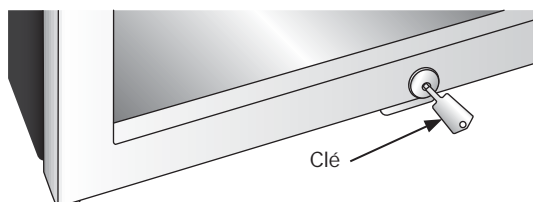


VERROUILLAGE DE SÉCURITÉ ET CLÉ

La serrure est équipée d'un ressort de sorte que la clé ne peut être laissée dans la serrure. Pour verrouiller ou déverrouiller, appuyez sur la clé tout en tournant. Si vous perdez la clé, communiquez avec votre revendeur pour la remplacer en composant le 877.337.3639 (États-Unis). Au Canada, composez le 877.470.9174. Donnez toujours le nom du modèle et le numéro de série du congélateur lorsque vous demandez une clé de rechange.

⚠ AVERTISSEMENT

Pour prévenir l'enfermement des enfants, gardez la clé hors de portée des enfants, à distance du congélateur.



ENTRETIEN DU CENTRE DE BOISSON

NETTOYAGE

⚠ AVERTISSEMENT



Risque d'explosion

Utiliser un produit de nettoyage ininflammable.

Le non-respect de cette instruction peut causer un décès, une explosion ou un incendie.

IMPORTANT : Ne pas utiliser de produits chimiques corrosifs, d'ammoniaque, d'agent de blanchiment, de détergents concentrés, de solvant ou de tampons à récurer métalliques ou abrasifs pour nettoyer l'intérieur ou l'extérieur du produit. Ceux-ci peuvent endommager et/ou décolorer le ni.

⚠ AVERTISSEMENT



Risque de choc électrique

Débrancher votre appareil ou déconnecter la source de courant électrique avant de le nettoyer.

Le non-respect de cette instruction peut causer un décès, un choc électrique ou blessures.

Renseignements Généraux

1. Débrancher ou déconnecter la source de courant électrique.
2. Laver les surfaces intérieures, les accessoires et le cadre extérieur avec une solution d'eau tiède mélangée à 3-4 cuillères à soupe de bicarbonate de soude.

REMARQUE : Avant d'utiliser des produits de nettoyage, toujours lire et suivre les instructions et avertissements du fabricant an d'éviter toute blessure ou dommage du produit. Avant de nettoyer les tablettes ou les couvercles de verre, veiller à lire la section CLAYETTES.

3. Rincer à l'eau tiède propre.
4. Sécher soigneusement avec un chiffon doux.
5. Brancher l'appareil ou reconnecter la source de courant électrique.

Joint d'étanchéité de la porte

Les joints doivent être maintenus propres et souples pour assurer une étanchéité convenable.

- Nettoyer les joints d'étanchéité de la porte tous les 3 mois avec une solution de bicarbonate de soude et d'eau chaude.
- Un peu de vaseline appliquée sur les joints côté charnière maintiendra la souplesse du joint et garantira une bonne étanchéité.

DÉGIVRAGE ET VIDANGE

⚠ DANGER



Risque d'explosion ou incendie

Utilisation d'un liquide frigorigène inflammable.

Ne pas perforez le circuit frigorigène.

Le non-respect de cette instruction peut causer un décès, une explosion ou un incendie.

Pour un fonctionnement optimal et une consommation énergétique minimale, effectuer un dégivrage lorsque la glace forme une couche de 1/8" (3.2 mm) d'épaisseur.

IMPORTANT :

■ Ne pas dégivrer à l'aide d'un instrument mécaniques.

Dans des conditions d'utilisation normales, le centre de boisson activera le dégivrage automatique durant les périodes où le système de refroidissement exécutera des cycles de marche-arrêt.

Dans des conditions de chaleur ou d'humidité extrêmes et/ou d'ouvertures de porte fréquentes ou prolongées, une accumulation de givre peut s'observer sur la plaque froide sur la paroi intérieure arrière. On peut éliminer ce givre par un dégivrage manuel.

Dégivrage manuel :

1. Tourner le cadran de contrôle de température à OFF (arrêt).
2. Une fois le givre éliminé, remettre le cadran de contrôle de température à sa position initiale.

⚠ AVERTISSEMENT



Risque de choc électrique

Brancher sur une prise à 3 alvéoles reliée à la terre.

Ne pas enlever la broche de liaison à la terre du cordon d'alimentation.

Ne pas utiliser un adaptateur.

Ne pas utiliser un câble de rallonge.

Le non-respect de cette instruction pourrait causer un décès, un incendie ou un choc électrique.

VACANCES OU LE DÉMÉNAGEMENT

Vacances

Si l'on prévoit de s'absenter pendant une longue période et que l'on ne souhaite pas laisser l'appareil en marche pendant tout ce temps, il faut alors le préparer pour cette absence.

1. Retirer tous les articles.
2. Tourner le cadran de contrôle de la température à la position 0 (OFF [arrêt]).
3. Débrancher ou déconnecter la source de courant électrique.
4. Nettoyer l'intérieur. Voir "Nettoyage".
5. Nettoyer les joints du couvercle/de la porte. Voir la section "Nettoyage".
6. Maintenez les portes ouvertes afin que l'air puisse circuler à l'intérieur.

Déménagement

En cas de déménagement et de déplacement du centre de boisson dans une nouvelle habitation, suivre ces étapes pour préparer le déménagement.

⚠ AVERTISSEMENT



Risque d'explosion ou incendie

Ne pas perforer le circuit frigorigène.

Suivre attentivement les instructions de manipulation.

Utilisation d'un liquide frigorigène inflammable.

Le non-respect de cette instruction peut causer un décès, une explosion ou un incendie.

IMPORTANT:

- Manipuler avec précaution lors du déplacement pour éviter soit d'endommager le circuit frigorigène, soit d'augmenter le risque de fuites.
 - Lorsque le centre de boisson est déplacé, ne jamais l'incliner à plus de 45°. Cela pourrait endommager le compresseur et le système scellé.
1. Procéder à la préparation en effectuant les étapes 1 à 5. Voir la section "Vacances".
 2. Retirer toutes les pièces amovibles, bien les envelopper et les attacher ensemble avec du ruban adhésif pour qu'elles ne bougent ou ne s'entrechoquent pas durant le déménagement.
 3. Fermer le couvercle/la porte à l'aide de ruban adhésif et xer le cordon d'alimentation à l'arrière du centre de boisson.

ENTRETIEN DU CENTRE DE BOISSON

RÉINSTALLATION/RÉUTILISATION DU CENTRE DE BOISSON

IMPORTANT : Si le centre de boisson a été placé en position horizontale ou incliné pendant un moment, attendre 30 minutes avant de le brancher pour que le réfrigérant se remette en place.

1. Nettoyer le centre de boisson. Voir "Nettoyage".
2. Placer le centre de boisson à l'emplacement souhaité et régler son aplomb. Voir "Instructions d'installation".

⚠ AVERTISSEMENT



Risque de choc électrique

Brancher sur une prise à 3 alvéoles reliée à la terre.

Ne pas enlever la broche de liaison à la terre du cordon d'alimentation.

Ne pas utiliser un adaptateur.

Ne pas utiliser un câble de rallonge.

Le non-respect de cette instruction pourrait causer un décès, un incendie ou un choc électrique.

3. Brancher sur une prise à 3 alvéoles reliée à la terre.

DÉPANNAGE

Essayez tout d'abord les solutions suggérées ici et évitez les couts pour le service de réparation.

PROBLÈME	CAUSE(S) POSSIBLE(S)	SOLUTION
<i>Le centre de boisson ne fonctionne pas.</i>	Le centre de boisson est débranché.	Brancher le centre de boisson sur une prise à 3 alvéoles reliée à la terre.
	Le fusible est grillé ou un disjoncteur est ouvert.	Réenclencher le disjoncteur ou remplacer le fusible.
	La commande de température est réglée sur la position d'arrêt 0 (OFF[arrêt]).	Régler la commande de température sur une position comprise entre .
	Le compresseur s'est éteint.	Attendre 30 à 40 minutes pour voir si le compresseur va démarrer.
<i>Le compresseurs e met en marche trop fréquemment</i>	La température ambiante est élevée et/ou humide.	Ceci peut être normal pour maintenir une température constante lorsqu'il fait chaud et humide.
	La porte est entrebâillée.	Fermer la porte complètement.
	Le joint de la porte ne se ferme pas hermétiquement.	Nettoyer le joint de la porte. Voir "Nettoyage".
	Ouvertures fréquentes ou prolongées de la porte.	Limiter les ouvertures de la porte pour maintenir la température interne.
	Quelque chose bloque la fermeture de la porte.	Réorganiser ou supprimer des éléments qui empêchent la porte de se refermer complètement.
<i>La porte le centre de boissons ne ferme pas correctement</i>	Le centre de boisson n'est pas d'aplomb ou la porte n'est pas alignée.	Régler l'aplomb du centre de boisson ou aligner la porte.
	Quelque chose bloque la fermeture de la porte.	Réorganiser ou supprimer des éléments qui empêchent la porte de se refermer complètement.
<i>La température des aliments est trop chaude</i>	La porte est ouverte fréquemment.	Limiter les ouvertures de la porte.
	Une grande quantité de boisson a été ajoutée récemment.	Allouer du temps pour refroidir la boisson récemment ajoutée.
	La porte ne se ferme pas hermétiquement.	Nettoyer le joint de la porte. Voir "Nettoyage".
	La commande de température n'a pas été réglée à une température suffisamment froide.	Régler la commande de température à un réglage plus froid.

DÉPANNAGE

Essayez tout d'abord les solutions suggérées ici et évitez les couts pour le service de réparation.

PROBLÈME	CAUSE(S) POSSIBLE(S)	SOLUTION
<i>Le centre de boisson est trop froid</i>	La commande est placée à un réglage trop froid.	Ajuster la température du congélateur à un réglage moins froid.
<i>Le centre de boisson a une odeur</i>	Le centre de boisson doit être nettoyé.	Nettoyer le centre de boisson. Voir "Nettoyage".
<i>Gargouillement</i>	Le réfrigérant circule dans les serpentins de refroidissement.	Ceci est normal.
<i>Clics</i>	La commande de température fonctionne par intermittence.	Ceci est normal.
<i>Bruit d'éclatement ou de craquement lorsque le compresseur se met en marche</i>	Le centre de boisson n'est pas de niveau.	Régler l'aplomb du centre de boisson. Voir "Réglage de l'aplomb". Si le plancher n'est pas d'aplomb, il peut être nécessaire de placer des cales en métal ou en bois sous un côté du centre de boisson.
	Le centre de boisson est en contact avec un mur.	Éloigner le centre de boisson du mur et rétablir l'aplomb si nécessaire.

GARANTIE LIMITÉE

12 mois sur les pièces et la main-d'œuvre

Durant les 12 mois suivant la date d'achat d'origine au détail, GE Appliances remplacera toute pièce du centre de boisson présentant une défectuosité en raison d'un vice de matière ou de fabrication. Le choix entre le remplacement ou la réparation de l'appareil défectueux sera à la discrétion de GE Appliances. Dans le cas où GE Appliances déciderait de réparer l'appareil défectueux, GE Appliances fournira toute pièce défectueuse en raison d'un vice de matière ou de fabrication, et assumera les frais de main-d'œuvre et de service associés à réparation de la pièce. Advenant une décision de remplacer l'appareil durant cette période, GE Appliances pourrait procéder en vous fournissant un certificat échangeable auprès d'un détaillant contre un produit de remplacement.

Le produit doit être accessible, dégagé et installé correctement pour bénéficier du service de réparation sous garantie.

REMARQUE : Cette garantie prend effet à la date à laquelle l'article a été acheté et le reçu de l'achat d'origine doit être présenté au représentant de dépannage autorisé avant qu'une quelconque réparation sous garantie ne soit effectuée.

SERVICE AU TITRE DE LA GARANTIE

Aux États-Unis, toutes les réparations sous garantie doivent être réalisées par nos Factory Service Centers ou un technicien Customer Care autorisé. Composez le 1.877.337.3639 pour prévoir un rendez-vous

Veillez avoir votre numéro de série et votre numéro de modèle à portée de main lorsque vous appelez pour obtenir un service.

Au Canada, composez le 1.877.337.3639.

EXCLUSION DES GARANTIES TACITES : Votre recours exclusif est l'échange du produit suivant les modalités de la Garantie Limitée. Toutes garanties tacites, y compris les **garanties de valeurs marchandes ou d'adéquation à des fins particulières, sont limitées à une durée d'un an ou à la durée la plus courte autorisée par la loi.**

Cette garantie ne couvre pas :

Toute visite à votre domicile pour vous expliquer le fonctionnement de l'appareil.

Mauvaise installation, livraison ou entretien.

Toute défectuosité du produit lorsqu'il est utilisé de façon abusive, ou à des fins commerciales ou à toute autre fin que celle pour laquelle il a été conçu.

Perte des aliments due à la détérioration.

Dommage subi après la livraison.

Remplacement des ampoules de lampe.

Le remplacement des fusibles ou le réenclenchement des disjoncteurs.

Tout dommage au produit attribuable à un accident, un incendie, une inondation ou un cas de force majeure.

Tout dommage direct ou indirect attribuable à une défectuosité éventuelle de l'appareil.

Le service s'il est impossible d'avoir accès au produit pour ce faire.

Les coûts associés lorsque GE Appliances choisit d'émettre un certificat échangeable contre un produit de remplacement

GARANTIE LIMITÉE

Pour les clients des États-Unis : Cette garantie est étendue à l'acheteur d'origine et aux propriétaires suivants pour tout produit acheté pour une utilisation domestique aux États-Unis. Si le produit est installé dans une région où ne se trouve aucun réparateur autorisé GE Appliances, vous devrez peut-être assumer les frais de transport ou apporter l'appareil à un centre de service autorisé GE Appliances. En Alaska, cette garantie exclut le coût d'expédition ou de dépannage à votre domicile.

Certains états n'acceptent pas d'exclusion ou de limites aux dommages indirects consécutifs. Certains droits particuliers vous sont dévolus en vertu de la présente garantie et peuvent s'accompagner d'autres droits qui varient selon votre lieu de résidence. Pour connaître vos droits juridiques, veuillez consulter le bureau local ou le bureau d'état des affaires aux consommateurs ou le Procureur Général de votre état.

Garant : GE Appliances, *a Haier company*

Pour les clients des Canada : Cette garantie est étendue à l'acheteur d'origine et aux propriétaires suivants pour tout produit acheté aux Canada pour une utilisation domestique aux Canada. Le service à domicile en vertu de la garantie sera fourni dans les régions où il est disponible et où Mabe estime raisonnable de le fournir.

Garant Canada:
MC Commercial, Burlington, Ontario,
L7R 5B6

DOCUMENTS À CONSERVER

Merci d'avoir acheté ce produit Haier. Ce manuel d'utilisation vous aidera à obtenir la meilleure performance possible de votre nouveau centre de boisson.

Pour référence ultérieure, inscrire le numéro de plaque signalétique situé sur la face intérieure du cadre le centre

Pour faciliter l'obtention d'un service sous garantie, agraffer la preuve de la date d'achat à ce manuel.

Numéro de modèle

Numéro de série

Date d'achat

ÍNDICE

SEGURIDAD DEL CENTRO DE LA BEBIDA	46
Cómo deshacerse adecuadamente de su aparato viejo	47
PIEZAS Y CARACTERÍSTICAS	48
REQUISITOS DE INSTALACIÓN	49
Requisitos de ubicación	49
Conexión de la electricidad	50
INSTRUCCIONES DE INSTALACIÓN	51
Paso 1 -Desempaque el centro de la bebida	51
Paso 2 - Cambio del sentido de abertura de la puerta	52
Paso 3 - Cómo nivelar el centro de la bebida	55
Paso4 - Complete la instalación.....	55
USO DEL CENTRO DE LA BEBIDA	56
Control	56
Estantes.....	56
Cerradura con Eyector de Llave	56
CUIDADO DEL CENTRO DE LA BEBIDA	57
Limpieza	57
Descongelamiento	58
Vacaciones y mudanzas	58
Cómo volver a instalar o usar el centro de la bebida nuevamente	60
SOLUCIÓN DE PROBLEMAS	61
GARANTÍA LIMITADA	63
INFORMACIÓN A TENER EN CUENTA	65

SEGURIDAD DEL CENTRO DE LA BEBIDA

INSTRUCCIONES IMPORTANTES DE SEGURIDAD

▲ ADVERTENCIA

Para reducir el riesgo de incendio, de explosión, choque eléctrico, lesiones a personas o daños al utilizar el centro de la bebida, siga precauciones básicas, incluyendo las siguientes:

- Use este aparato solamente para el propósito que fue diseñado, como se describe en este manual para el usuario.
- Esta centro de la bebida debe instalarse correctamente de acuerdo con las instrucciones de instalación antes de que se use. Vea las instrucciones de conexión a tierra en la sección de instalación.
- Conecte a un contacto de pared de conexión a tierra de 3 terminales.
- No quite el terminal de conexión a tierra.
- No use un adaptador o un cable eléctrico de extensión.
- No repare ni reemplace ningún componente del aparato a menos que se recomiende específicamente en el manual. Todas las demás tareas de mantenimiento deben ser realizadas por un técnico calificado.
- Desconecte el suministro de energía antes de darle servicio técnico.
- Vuelva a colocar todas las piezas y paneles antes de ponerlo en funcionamiento.
- Use un limpiador no inflamable.
- No guarde ni use gasolina u otros vapores inflamables y líquidos cerca de este ni de otro electrodoméstico.
- No guarde sustancias explosivas tales como latas de aerosoles con propelentes inflamables en este electrodoméstico.
- Antes de desechar o dejar de utilizar el aparato, quitele la puerta. Esto evitará que los niños se lastimen.
- Para evitar lesiones graves o la muerte, los niños no se deberán parar sobre ni jugar en o con el electrodoméstico.
- Los niños y las personas con capacidad física, sensorial o mental reducida o con falta de experiencia y conocimiento podrán usar este electrodoméstico sólo si son supervisados o les fueron dadas instrucciones sobre un uso seguro y entienden los riesgos involucrados.
- Este electrodoméstico fue diseñado para uso hogareño y para aplicaciones similares tales como: áreas de personal de cocina en tiendas, oficinas y otros espacios laborales; casas de campo; por clientes en hoteles, moteles, hostales y otros espacios residenciales, catering y aplicaciones no minoristas similares.

▲ PRECAUCIÓN

Para reducir el riesgo de lesiones al usar el centro de la bebida, siga estas precauciones básicas.

- Mantenga los dedos fuera de las áreas de "pellizco"; Los espacios libres entre la puerta y el gabinete son necesariamente pequeños. Tenga cuidado al cerrar la puerta cuando los niños están en el área.
- Mantenga los dedos fuera de los "puntos de compresión"; los espacios entre la puerta y el gabinete son necesariamente pequeños. Tenga el cuidado de cerrar la puerta cuando haya niños en el área.
- Esta unidad fue diseñada para guardar y enfriar bebidas. No guarde comidas perecederas en esta unidad.

SEGURIDAD DEL CENTRO DE LA BEBIDA

ADVERTENCIAS DE LA PROPOSICIÓN 65 DEL ESTADO DE CALIFORNIA

▲ ADVERTENCIA Este producto contiene uno o más químicos que el Estado de California entiende que producen cáncer y defectos en el nacimiento u otros daños reproductivos.

▲ ADVERTENCIA PELIGRO DE EXPLOSIÓN Refrigerantes Inflamables

Este electrodoméstico cuenta con refrigerante isobutano, R600a, un gas natural con alto nivel de compatibilidad medioambiental. Sin embargo, también es combustible. Siga las advertencias que figuran a continuación, a fin de reducir el riesgo de lesiones o daños sobre la propiedad.

- 1) Al mover, instalar y operar el electrodoméstico, se deberá tener cuidado de no dañar la tubería del refrigerante.
- 2) El servicio técnico sólo debe ser realizado por personal autorizado del servicio. Use sólo piezas del servicio autorizadas por el fabricante
- 3) Descarte el electrodoméstico de acuerdo con las Regulaciones Federales y Locales. El refrigerante inflamable y el material aislante inflamable usados requieren procedimientos de descarte especiales. Comuníquese con las autoridades locales para descartar su centro de la bebida de forma ambientalmente segura.
- 4) Mantenga las aberturas de ventilación en el espacio de protección del electrodoméstico o en la estructura incorporada libres de obstrucción.
- 5) No use dispositivos mecánicos u otros medios para acelerar el proceso de descongelamiento.
- 6) No dañe el circuito del refrigerante.
- 7) No use dispositivos eléctricos dentro del compartimiento de almacenamiento del electrodoméstico.

DISPOSICIÓN APROPIADA DE SU ANTIGUO APARATO

▲ ADVERTENCIA PELIGRO DE ATRAPAMIENTO Y ASFIXIA

El incumplimiento de estas instrucciones de eliminación puede causar la muerte o lesiones graves.

IMPORTANTE: El atrapamiento y asfixia de niños no es un problema del pasado. Un aparato centro de la bebida desechado y abandonado es un peligro, aún si va a quedar ahí "por unos pocos días". Si usted está por deshacerse de su aparato centro de la bebida viejo, siga las instrucciones a continuación para evitar accidentes.

Antes de descartar su aparato centro de la bebida viejo:

- Quite la puerta.
- Deje los estantes en su lugar así los niños no pueden meterse adentro con facilidad.

SEGURIDAD DEL CENTRO DE LA BEBIDA

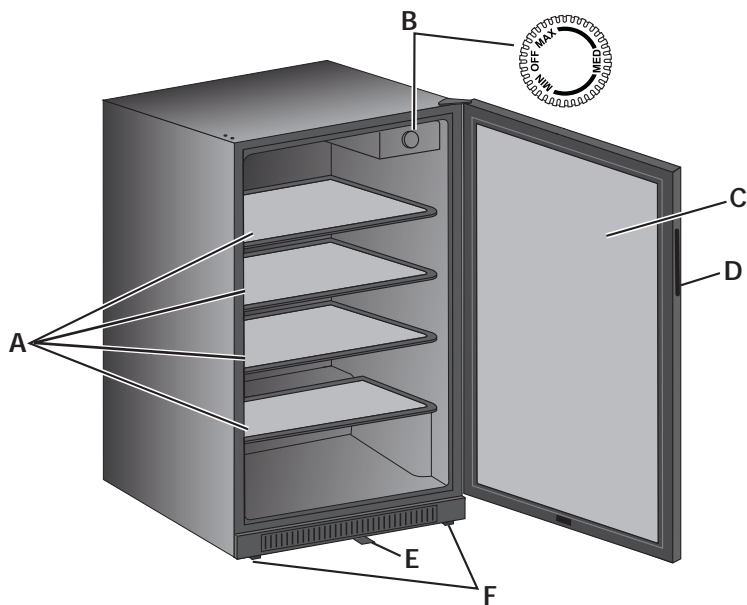
DISPOSICIÓN APROPIADA DE SU ANTIGUO APARATO (Cont.)

Cómo Eliminar Refrigerantes y Gomaespumas:

Descarte el electrodoméstico de acuerdo con las Regulaciones Federales y Locales. El refrigerante inflamable y el material aislante inflamable usados requieren procedimientos de descarte especiales. Comuníquese con las autoridades locales para descartar su electrodoméstico de forma ambientalmente segura

LEA Y GUARDE ESTAS INSTRUCCIONES

PIEZAS Y CARACTERÍSTICAS



- | | |
|---|----------------------------------|
| A. Estantes de vidrio de ancho completo (4) | D. Manija de la puerta empotrada |
| B. Control de temperatura | E. Cierre con llave |
| C. Puerta de vidrio transparente | F. Patas niveladoras (2) |

REQUISITOS DE INSTALACIÓN

REQUISITOS DE UBICACIÓN

⚠ ADVERTENCIA

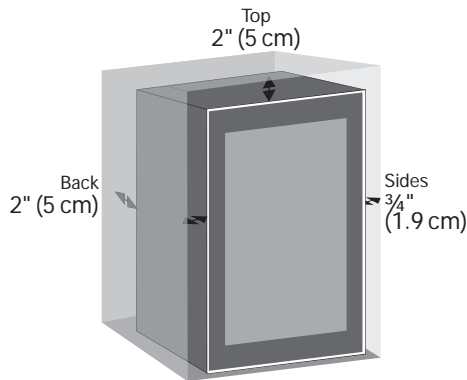


Peligro de Explosión o Incendio

Mantenga los materiales y vapores inflamables, tales como gasolina, alejados del aparato.

No seguir esta instrucción puede ocasionar la muerte, explosión, o incendio.

Espacios libres recomendados:



IMPORTANTE: Este centro de la bebida se ha diseñado para instalarse de forma independiente únicamente. No debe estar empotrado ni integrado en un armario cerrado. Para asegurarse de que el centro de la bebida funciona con la máxima eficiencia, lo debe instalar en una ubicación donde haya circulación de aire y conexiones eléctricas adecuadas.

CÓMO INSTALAR EL CENTRO DE LA BEBIDA

- No instale el centro de la bebida donde la temperatura llegue a ser inferior a los 55 °F (13 °C), ya que no se activará con la frecuencia necesaria para mantener las temperaturas apropiadas.
- No instale el centro de la bebida donde la temperatura sea superior a los 110 °F (43 °C), ya que no funcionará de forma correcta.
- Instale el mismo en un piso lo suficientemente fuerte como para soportarlo completamente cargado.
- No instale el centro de la bebida en una ubicación expuesta al agua (lluvia, etc.) o en contacto directo con la luz solar.

REQUISITOS DE INSTALACIÓN

CONEXIÓN DE LA ELECTRICIDAD

▲ ADVERTENCIA



RIESGO DE DESCARGA ELÉCTRICA

Enchufe en un tomacorriente con conexión a tierra de 3 cables.

No elimine el cable de conexión a tierra.

No use un adaptador.

No use un prolongador.

Si no se siguen estas instrucciones se podrá producir la muerte, incendios o descargas eléctricas.

Nunca, bajo ninguna circunstancia, corte o elimine el tercer cable (tierra) del cable de corriente. Para su seguridad personal, este electrodoméstico debe estar adecuadamente conectado a tierra.

El cable de corriente de este electrodoméstico cuenta con un enchufe de 3 cables (conexión a tierra) que se conecta a un tomacorriente de pared estándar de 3 cables (conexión a tierra) para minimizar la posibilidad de riesgos de descargas eléctricas por parte del mismo.

Contrate a un electricista calificado para que controle el tomacorriente y el circuito eléctrico, a fin de asegurar que el enchufe esté correctamente conectado a tierra.

En caso de contar con un tomacorriente de pared de 2 cables, es su responsabilidad y obligación reemplazarlo por un tomacorriente de pared de 3 cables correctamente conectado a tierra. No use un adaptador.

El freezer deberá estar siempre conectado a un enchufe específico con un índice de voltaje equivalente al que figura en la placa de calificación.

Se requiere un suministro eléctrico con fusible y conexión a tierra de 115 voltios de CA, 60 Hz, 15 o 20 amperes. Esto garantiza el mejor funcionamiento y además previene la sobrecarga de los circuitos del hogar, lo cual podría ocasionar riesgos de incendio debido al recalentamiento de cables.

Nunca desenchufe el centro de la bebida tirando del cable de corriente. Siempre tome su enchufe firmemente y empuje el mismo hacia fuera para retirarlo.

Inmediatamente interrumpa el uso de un cable de suministro de corriente dañado. Si el cable de corriente se encuentra dañado, su reemplazo deberá ser realizado por un profesional calificado del servicio técnico, utilizando una pieza del servicio técnico autorizada por el fabricante.

Al alejar el freezer de la pared, se deberá tener cuidado de que no ruede sobre ni dañe el cable de corriente.

INSTRUCCIONES DE INSTALACIÓN

PASO 1 - DESEMPAQUE EL CENTRO DE LA BEBIDA

▲ ADVERTENCIA



Peligro de Explosión o Incendio

No perforo el tubo refrigerante.

Siga con cuidado las instrucciones de manipulación.

El refrigerante usado es inflamable.

No seguir esta instrucción puede ocasionar la muerte, explosión, o incendio.

IMPORTANTE: Tenga cuidado al mover el centro de la bebida para evitar dañar el tubo refrigerante o aumentar el riesgo de fuga.

IMPORTANTE: Cuando lo mueva, nunca incline el centro de la bebida en un ángulo superior a los 45°. Esto podría dañar el compresor y el sistema sellado. Si el centro de la bebida ha sido colocado en posición horizontal durante algún periodo de tiempo, espere 30 minutos antes de enchufarlo para permitir que el refrigerante se asiente.

CÓMO QUITAR EL EMPAQUE

- Quite los restos de cinta y goma de las superficies de su centro de la bebida antes de encenderlo. Frote un poco de detergente líquido para vajilla sobre el adhesivo con los dedos. Limpie con agua tibia y seque.

NOTA: No use instrumentos filosos, alcohol isopropílico, líquidos inflamables o productos de limpieza abrasivos para eliminar los restos de cinta o goma. Estos productos pueden dañar la superficie de su centro de la bebida. Para obtener más información, vea "Seguridad del centro de la bebida".

- Deshágase de todos los materiales de empaque o recícelos.

LIMPIEZA ANTES DEL USO

Una vez que usted haya quitado todos los materiales de empaque, limpie el interior del centro de la bebida antes de usarlo. Vea las instrucciones de limpieza en "Cuidado del centro de la bebida".

INSTRUCCIONES DE INSTALACIÓN

PASO 2 - CAMBIO DEL SENTIDO DE ABERTURA DE LA PUERTA (OPCIONAL)

⚠ ADVERTENCIA

Siga todos los pasos al invertir la dirección de apertura de la puerta. Si no se siguen estas instrucciones, dejando piezas sin uso o ajustando tornillos en exceso, esto podrá hacer que la puerta se caiga y producir lesiones y daños sobre la propiedad.

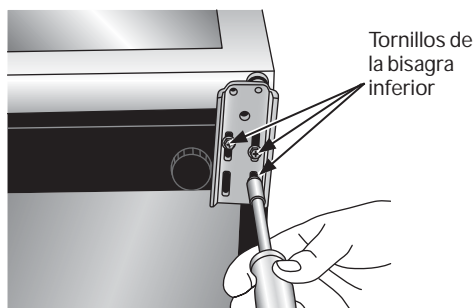
Las bisagras de la puerta vienen instaladas de fábrica a la derecha. Si desea que la puerta se abra en sentido opuesto, puede invertir el sentido de apertura.

HERRAMIENTAS NECESARIAS

- Llave de cabeza hexagonal de 5/16"
- Llave hexagonal de 3 mm
- Cuchillo para masilla

IMPORTANTE:

- Antes de comenzar, desenchufe el centro de la bebida o desconecte el suministro de energía.
 - La puerta es pesada y frágil y el frente de la puerta es de vidrio. Para evitar la rotura del vidrio de la puerta, utilice ambas manos y tómelala solo por los laterales para quitarla.
1. Con la ayuda de dos o más personas, apoye con suavidad el centro de la bebida para bebidas sobre su lado posterior.
 2. Con una llave de cabeza hexagonal de 5/16" (7,9 mm), quite los tres tornillos hexagonales que sujetan la bisagra inferior al gabinete, y déjelos a un lado.

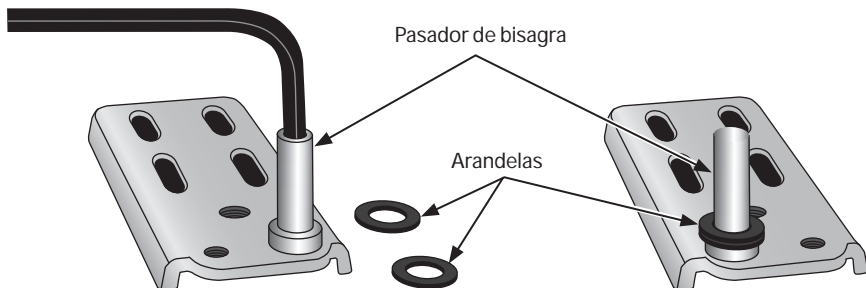


3. Quite la bisagra inferior y las dos arandelas. Deje las arandelas a un lado.

INSTRUCCIONES DE INSTALACIÓN

PASO 2 - CAMBIO DEL SENTIDO DE ABERTURA DE LA PUERTA (OPCIONAL) (CONT.)

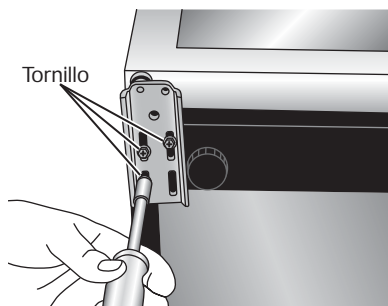
4. Con la llave hexagonal de 3 mm quite el pasador de la bisagra inferior, y colóquelo nuevamente en el orificio que está al lado del orificio de donde lo quitó. Vuelva a colocar las dos arandelas.



5. Quite el tornillo de la base del gabinete y colóquelo en el orificio correspondiente del lado opuesto.



6. Con los tres tornillos de cabeza hexagonal que quitó anteriormente, vuelva a colocar la bisagra inferior en el lado opuesto.



INSTRUCCIONES DE INSTALACIÓN

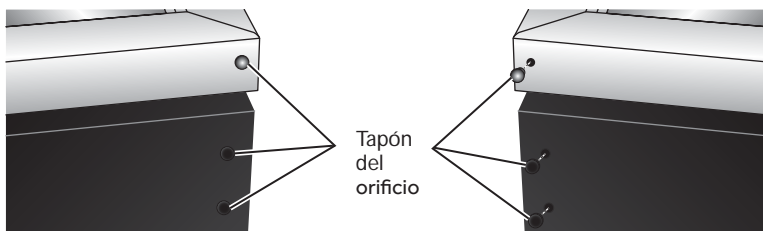
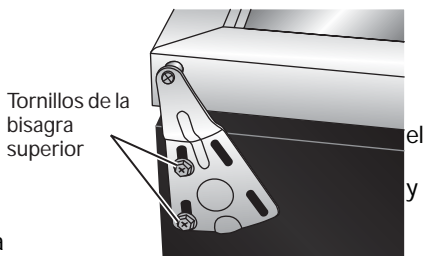
PASO 2 - CAMBIO DEL SENTIDO DE ABERTURA DE LA PUERTA (OPCIONAL) (CONT.)

7. Con el cuchillo para masilla, haga palanca suavemente para levantar el borde posterior de la cubierta de la bisagra superior y quitarlo.



8. Con la llave de cabeza hexagonal de 5/16" (7,9 mm), quite los dos tornillos que sujetan la bisagra superior y retire la bisagra.

9. Con el cuchillo para masilla quite tapón del orificio de la puerta y los dos tapones de los orificios del gabinete luego vuelva a colocarlos en los orificios que quedaron visibles al quitar la bisagra superior.

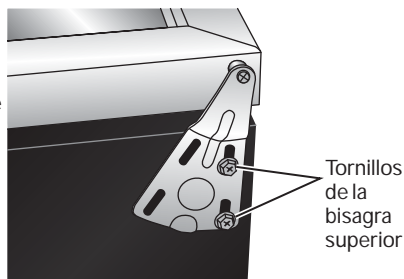


10. Vuelva a instalar la bisagra superior en el lado opuesto.

11. Vuelva a colocar la cubierta de la bisagra superior.

12. Ponga el centro de la bebida para bebidas en posición vertical, y verifique que la puerta esté alineada con el gabinete.

NOTA: Si la parte superior de la puerta no está alineada con el gabinete, afloje los tornillos de la bisagra superior, acomode la puerta y vuelva a ajustar los tornillos de la bisagra superior.



INSTRUCCIONES DE INSTALACIÓN

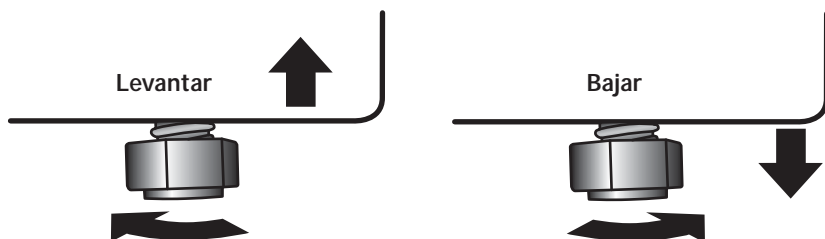
PASO 3 - CÓMO NIVELAR EL CENTRO DE LA BEBIDA

Su centro de la bebida tiene dos patas niveladoras ubicadas en las esquinas inferiores delanteras. Después de colocarlo en su posición final, nivele el centro de la bebida.

NOTA: La puerta del centro de la bebida se cierra más fácilmente .

Cómo regular las patas niveladoras:

- Para levantarlo - gire las patas niveladoras hacia la izquierda.
- Para bajarlo - gire las patas niveladoras hacia la derecha.



PASO 4 - COMPLETE LA INSTALACIÓN

⚠ ADVERTENCIA



Peligro de Choque Eléctrico

Conecte a un contacto de pared de conexión a tierra de 3 terminales.

No quite el terminal de conexión a tierra del cable de alimentación.

No use un adaptador.

No use un cable eléctrico de extensión.

No seguir estas instrucciones puede ocasionar la muerte, incendio o choque eléctrico.

- Conecte a un contacto de pared de conexión a tierra de 3 terminales.

USO DEL CENTRO DE LA BEBIDA

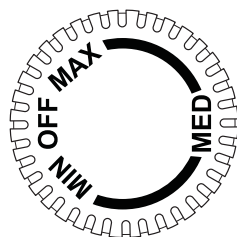
CONTROL DE TEMPERATURA

El cuadrante del control de temperatura tiene tres ajustes de temperatura y la opción OFF (Apagado). El ajuste MIN (Mínimo) es el menos frío y el ajuste MAX (Máximo) es el más frío.

IMPORTANTE: Al girar el cuadrante de control hacia OFF (Apagado), el centro de la bebida no se desconecta del suministro de energía.

Ajuste el control de temperatura a MED (Medio). Espere 24 horas a que se enfríe antes de cambiar el ajuste de la temperatura de nuevo.

NOTA: El centro de la bebida para bebidas mantendrá automáticamente el nivel de temperatura que usted elija.



ESTANTES

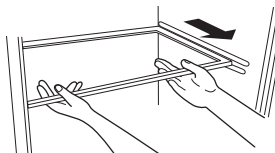
Hay tres estantes de vidrio para adaptarse a sus necesidades de almacenamiento.

▲ PRECAUCIÓN

No limpie los estantes de vidrio ni tapas con agua caliente cuando estén fríos. Los estantes de vidrio y las tapas se pueden romper si son expuestos a cambios de temperatura repentinos o a impactos, tales como sacudones o caídas. El vidrio templado está diseñado para destruirse en pequeñas piezas en caso de rotura.

Para quitar o volver a colocar un estante:

- Para quitar un estante - incline el frente del estante hacia arriba y, luego deslícelo hacia adelante.
- Para volverlo a colocar - alinee el estante con los soportes y deslícelo ligeramente hacia la parte posterior.

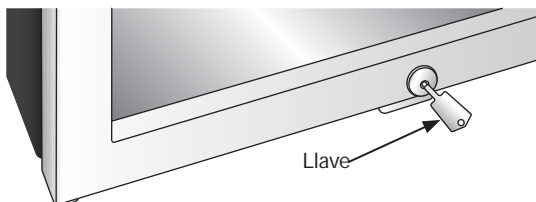


CERRADURA CON EYECTOR DE LLAVE

La cerradura posee un resorte, de modo que la llave no pueda ser dejada en la misma. Para bloquear o desbloquear, presione la llave mientras la esté girando. En caso de perder la llave, comuníquese con el distribuidor para su reemplazo, llamando al 877.337.3639 para clientes de EE.UU. En Canadá, llame al 877.470.9174. Al solicitar una llave de reemplazo, siempre dé los números de modelo y serie del freezer.

▲ ADVERTENCIA

A fin de evitar que un niño quede atrapado, guarde la llave fuera del alcance de los niños y lejos del freezer.



CUIDADO DEL CENTRO DE LA BEBIDA

LIMPIEZA

⚠ ADVERTENCIA



Peligro de Explosión

Use un limpiador no inflamable.

No seguir esta instrucción puede ocasionar la muerte, explosión o incendio.

IMPORTANTE: No use productos químicos fuertes, amoníaco, blanqueador con cloro, detergente concentrado, solventes o estropajos de metal o abrasivos para limpiar su producto por dentro o por fuera. Estos pueden dañar o decolorar el acabado.

⚠ ADVERTENCIA



Peligro de choque eléctrico

Desenchufe el aparato o desconecte el suministro de energía antes de limpiarlo.

No seguir esta instrucción puede ocasionar la muerte, choque eléctrico o daños personales.

General

1. Desenchufe o desconecte el suministro de energía.
2. Lave las superficies interiores, los accesorios y el marco exterior con una solución de agua tibia mezclada con 3 a 4 cucharadas de bicarbonato de sodio.

NOTA: Antes de usar productos de limpieza, siempre lea y siga las instrucciones del fabricante y las advertencias para evitar lesiones físicas o daños al producto. Antes de limpiar las repisas de vidrio o las tapas, lea la sección de REPISAS para acceder a más instrucciones.

3. Enjuague con agua tibia limpia.
4. Seque bien con un paño suave.
5. Enchufe o vuelva a conectar el suministro de energía.

Juntas de la puerta

Las juntas deben mantenerse limpias y flexibles para asegurar un sellado adecuado.

- Limpie las juntas de la puerta cada 3 meses con una solución de bicarbonato de sodio y agua tibia.
- El petrolato ligeramente aplicado en el lado de las bisagras de las juntas mantendrá la junta flexible y asegurará un buen sellado.

CUIDADO DEL CENTRO DE LA BEBIDA

DESCONGELAMIENTO Y DESAGÜE

⚠ PELIGRO



Peligro de Explosión o Incendio

El refrigerante usado es inflamable.

No perforo el tubo refrigerante.

No seguir esta instrucción puede ocasionar la muerte, explosión, o incendio.

Para un funcionamiento más eficaz y menor consumo de energía, descongele el centro de la bebida cuando se acumule una cantidad aproximada de hielo de 1/8" (3.2 mm) de espesor.

IMPORTANTE:

- No utilice instrumentos metálicos para descongelar.

Bajo condiciones de funcionamiento normales, el centro de la bebida fue diseñado para su descongelación automática durante periodos en que el sistema de enfriamiento cesa su ciclo.

Bajo condiciones de calor y humedad extremos, y/o aperturas de puerta prolongadas o frecuentes, es posible que observe acumulación de escarcha en el plato frío ubicado en la pared interna trasera. Esta escarcha puede ser retirada a través de una descongelación manual.

Para descongelar de forma manual:

1. Gire el control de temperatura hasta OFF (Apagado).
2. Una vez retirada la escarcha, mueva el dial de control de temperatura hacia atrás hasta su posición original.

⚠ ADVERTENCIA



Peligro de Choque Eléctrico

Conecte a un contacto de pared de conexión a tierra de 3 terminales.

No quite el terminal de conexión a tierra del cable de alimentación.

No use un adaptador.

No use un cable eléctrico de extensión.

No seguir estas instrucciones puede ocasionar la muerte, incendio o choque eléctrico.

CUIDADO DEL CENTRO DE LA BEBIDA

VACACIONES

Si se ausentará durante un periodo largo de tiempo y no desea dejar el aparato encendido mientras no está, prepárelo para el lapso de su ausencia.

1. Retire los alimentos del congelador.
2. Gire el control de temperatura hacia 0 (OFF [Apagado]).
3. Desenchufe o desconecte el suministro de energía.
4. Limpie el interior. Vea "Limpieza".
5. Limpie las juntas de la tapa/la puerta. Vea la sección "Limpieza".
6. Mantenga las puertas abiertas para que pueda circular aire adentro.

Mudanza

Si Ud. muda su centro de la bebida a una casa nueva, siga estos pasos para prepararse para la mudanza.

⚠ ADVERTENCIA



Peligro de Explosión o Incendio

No perfore el tubo refrigerante.

Siga con cuidado las instrucciones de manipulación.

El refrigerante usado es inflamable.

No seguir esta instrucción puede ocasionar la muerte, explosión, o incendio.

IMPORTANTE:

- Tenga cuidado al moverlo para evitar dañar el tubo refrigerante o aumentar el riesgo de fuga.
 - Cuando lo mueva, nunca incline el centro de la bebida en un ángulo superior a los 45°. Esto podría dañar el compresor y el sistema sellado.
1. Complete los pasos del 1 al 5 para prepararlo para las vacaciones. Vea "Vacaciones".
 2. Saque todas las piezas removibles, envuélvalas bien y asegúrelas con cinta adhesiva para que no se muevan ni se sacudan durante la mudanza.
 3. Para que las puertas queden cerradas y el cable pegado a la parte posterior del centro de la bebida, use cinta adhesiva.

CUIDADO DEL CENTRO DE LA BEBIDA

CÓMO VOLVER A INSTALAR O USAR EL CENTRO DE LA BEBIDA NUEVAMENTE

IMPORTANTE: Si el centro de la bebida ha sido colocado en posición horizontal o se ha inclinado durante algún período de tiempo, espere 30 minutos antes de enchufarlo para permitir que el refrigerante se asiente.

1. Limpie el centro de la bebida. Vea "Limpieza".
2. Coloque el centro de la bebida en la ubicación deseada y nivélelo. Vea "Instrucciones de instalación".

⚠ ADVERTENCIA



Peligro de Choque Eléctrico

Conecte a un contacto de pared de conexión a tierra de 3 terminales.

No quite el terminal de conexión a tierra del cable de alimentación.

No use un adaptador.

No use un cable eléctrico de extensión.

No seguir estas instrucciones puede ocasionar la muerte, incendio o choque eléctrico

3. Conecte a un contacto de pared de conexión a tierra de 3 terminales.

SOLUCIÓN DE PROBLEMAS

Pruebe las soluciones sugeridas aquí y posiblemente se evite el gasto de una visita de servicio técnico.

PROBLEMA	POSIBLE(S) CAUSA(S)	SOLUCIÓN
<i>El centro de la bebida no funciona</i>	El centro de la bebida no está enchufado.	Enchufe el centro de la bebida a un tomacorriente de 3 terminales con conexión a tierra.
	Se ha quemado un fusible o se ha disparado un cortacircuitos.	Reemplace/encienda el cortacircuitos o cambie el fusible.
	El control de temperatura se encuentra en posición de apagado 0 (OFF [apagado]).	Gire el control de temperatura a un ajuste entre 1 y 5.
	El compresor funciona en ciclos.	Espere de 30 a 40 minutos para comprobar si el compresor se inicia.
<i>El compresor funciona con demasiada frecuencia</i>	La temperatura ambiente está elevada o hay humedad.	Esto puede ser normal para mantener la temperatura constante en los días húmedos y de altas temperaturas.
	La puerta del centro de la bebida no está cerrada por completo.	Cierre la puerta por completo.
	La junta de la puerta no sella correctamente.	Limpie la junta de la puerta. Vea "Limpieza".
	La puerta se abre con frecuencia o durante períodos prolongados.	Disminuya la cantidad de veces que abre la puerta para mantener la temperatura interna.
	La puerta está bloqueada abierta.	Reorganizar o eliminar elementos que mantienen la puerta se cierre por completo.
<i>La puerta del centro de la bebida no cierra correctamente</i>	El centro de la bebida no está nivelado o la puerta no está alineada.	Nivele el centro de la bebida o alinee la puerta.
	La puerta está bloqueada abierta.	Reorganizar o eliminar elementos que mantienen la puerta se cierre por completo.
<i>La temperatura de los alimentos está demasiado elevada</i>	La puerta se abre con frecuencia.	Disminuya la cantidad de veces que abre la puerta.
	Una gran cantidad de bebidas fue agregada de forma reciente.	Deje pasar tiempo hasta que las bebidas agregadas de forma reciente se enfrien.
	La puerta no sella correctamente.	Limpie la junta de la puerta. Vea "Limpieza".
	El control no se fijó en una temperatura lo suficientemente fría.	Regule el temperatura a un ajuste más frío.
<i>El centro de la bebida está demasiado frío</i>	El control se ha fijado en un ajuste demasiado frío.	Ajuste la temperatura a un ajuste menos .

SOLUCIÓN DE PROBLEMAS

Pruebe las soluciones sugeridas aquí y posiblemente se evite el gasto de una visita de servicio técnico.

PROBLEMA	POSIBLE(S) CAUSA(S)	SOLUCIÓN
El centro de la bebida huele mal	El centro de la bebida necesita limpieza.	<i>Limpie el centro de la bebida. Vea "Limpieza".</i>
Sonido de gorgoteo	Hay refrigerante circulando en el serpentín de enfriamiento.	<i>Este sonido es normal.</i>
Chasquidos	El control de temperatura se enciende y se apaga.	<i>Este sonido es normal.</i>
Sonido de estallido o crujido cuando se enciende el compresor	El centro de la bebida no está nivelado.	<i>Nivele el centro de la bebida. Vea "Nivelación". Si el piso está desnivelado, es posible que deba colocar cuñas de metal o madera debajo de una parte del centro de la bebida.</i>
	El centro de la bebida toca la pared.	<i>Aleje el centro de la bebida de la pared y vuelva a nivelar, si es necesario.</i>

GARANTÍA LIMITADA

12 meses por piezas y mano de obra

Durante 12 meses desde la fecha de compra minorista original, GE Appliances reemplazará cualquier pieza del centro de la bebida que falle debido a un defecto en los materiales o la fabricación. GE Appliances podrá, a su criterio, reemplazar o realizar la reparación de la unidad defectuosa. En caso de que GE Appliances decida realizar el servicio técnico sobre la unidad, GE Appliances brindará sin costo cualquier pieza que falle debido a un defecto en los materiales o la fabricación, junto con cualquier trabajo o costos relacionados con el servicio para reemplazar la pieza defectuosa. Durante este período, si GE Appliances decide reemplazar la unidad, podrá hacerlo brindándole a usted un certificado canjeable en un minorista, el cual podrá ser usado para un producto de reemplazo.

NOTA: Esta garantía comienza en la fecha de compra de este producto, y el recibo original deberá presentarse al representante autorizado de servicio antes de hacerse las reparaciones bajo la garantía.

PARA OBTENER SERVICIO BAJO LA GARANTÍA

Para los clientes de EE.UU., todo el servicio de garantía deberá ser provisto por nuestros Centros de Servicio de Fabricación, o por un técnico autorizado del Servicio al Cliente. Para programar una visita del servicio técnico, llame al 1.877.337.3639.

Cuando llame para solicitar el servicio, tenga los números de serie y modelo disponibles.

En Canadá, llame al 1.877.470.9174.

EXCLUSIÓN DE GARANTÍAS IMPLÍCITAS - Su única y exclusiva alternativa es la reparación del producto, como se indica en la Garantía Limitada. Las garantías implícitas, incluyendo garantías implícitas de comerciabilidad o conveniencia sobre un propósito particular, se limitan a un año o al período más corto permitido por la ley.

Lo que no está cubierto bajo esta garantía:

Viajes del técnico del servicio a su hogar para enseñarle sobre cómo usar el producto.

Instalación inadecuada, entrega o mantenimiento.

Fallas del producto en caso de abuso, mal uso, o uso para propósitos diferentes al original o uso comercial.

Pérdida de alimentos por mal estado.

Daño causado después de la entrega.

Reemplazo de fusibles de la casa o reinicio de disyuntores.

Reemplazo de las bombillas de luz.

Daños ocasionados sobre el producto por accidente, incendio, inundaciones o catástrofes naturales.

Daños consecuentes o incidentales causados por posibles defectos de este producto.

Producto no accesible para brindar el servicio requerido.

Costos asociados cuando GE Appliances decide entregar al consumidor un certificado como forma de reemplazo del producto.

GARANTÍA LIMITADA

Para los clientes de los EEUU: Esta garantía se extiende al comprador original y a cualquier dueño subsiguiente de productos comprados para uso hogareño dentro de EE.UU. Si el producto está en un área donde no se encuentra disponible un Proveedor Autorizado del Servicio Técnico de GE Appliances, usted será responsable por el costo de un viaje o se podrá requerir que traiga el producto a una ubicación del Servicio Técnico de GE Appliances Autorizado para recibir el servicio. En Alaska, la garantía excluye el costo de envío o llamadas del servicio a su hogar.

Algunos estados no permiten la exclusión o limitación de daños fortuitos o consecuentes. Esta garantía le da derechos legales específicos y es posible que tenga otros derechos legales que varían entre un estado y otro. Para conocer cuáles son sus derechos legales, consulte a la oficina de asuntos del consumidor local o estatal o al Fiscal de su estado.

Garante US:
GE Appliances, a Haier company

Para Clientes en Canadá: Esta garantía se extiende al comprador original y a cualquier dueño subsiguiente de productos comprados para uso hogareño dentro de Canadá. El servicio técnico hogareño de la garantía será brindado en áreas donde Mabe se encuentre disponible y lo considere apropiado.

Garante Canada:
MC Commercial, Burlington, Ontario, L7R 5B6

INFORMACIÓN A TENER EN CUENTA

Le agradecemos la compra de este producto de marca Haier. Este manual para el usuario lo ayudará a obtener el mejor funcionamiento de su nuevo centro de la bebida.

Para referencia futura, anote el número de modelo y de serie, que están situados en el marco interior del centro de la bebida, y la fecha de compra.

Engrape la prueba de compra a este manual para asistirle cuando necesite obtener servicio bajo la garantía.

Número de modelo

Número de serie

Fecha de compra

NOTES

NOTES

IMPORTANT

Do Not Return This Product To The Store

If you have a problem with this product, please call 1-877-337-3639 for the name and telephone number of the nearest authorized service center.

DATED PROOF OF PURCHASE REQUIRED FOR WARRANTY SERVICE

IMPORTANT

Ne pas Réexpédier ce Produit au Magasin

En cas de problème avec ce produit, veuillez composer le 1-877-337-3639 pour connaître le nom et le numéro de téléphone du centre de service autorisé le plus proche.

**PREUVE D'ACHAT DATÉE, NUMÉRO DE MODÈLE ET LE NUMÉRO DE SÉRIE REQUIS
POUR LE SERVICE DE GARANTIE**

IMPORTANTE

No regrese este producto a la tienda

Si tiene un problema con este producto, por favor comuníquese al 1-877-337-3639 para solicitar el nombre y número telefónico del centro de servicio al cliente autorizado más cercano.

**NECESITA UNA PRUEBA DE COMPRA FECHADA, NÚMERO DE MODELO
Y DE SERIE PARA EL SERVICIO DE LA GARANTÍA**