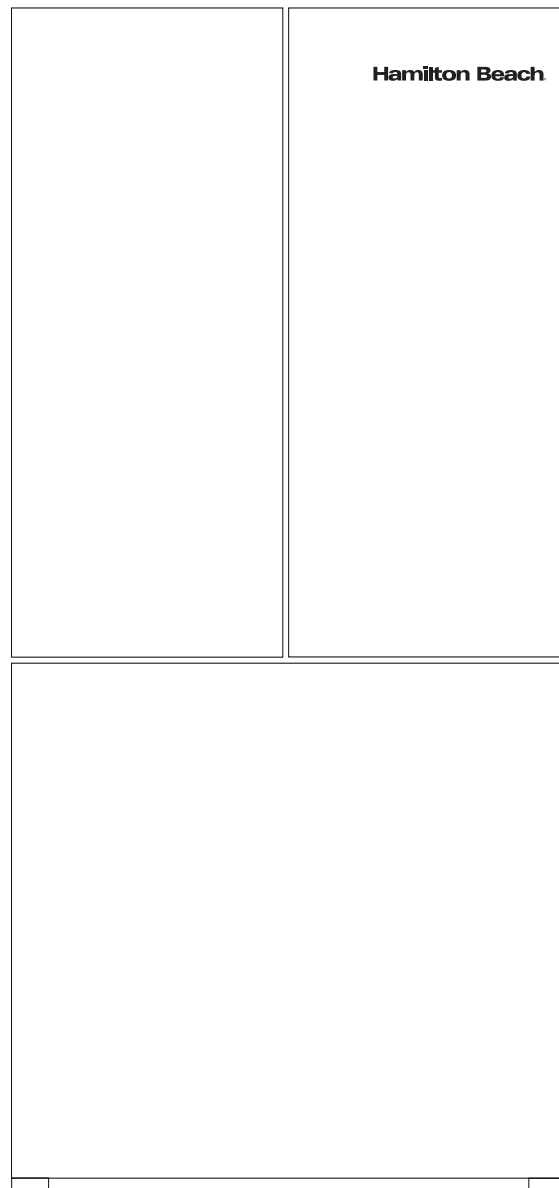


Hamilton Beach®

French door refrigerator with bottom freezer.

Model No. HBF1770



Owner's Manual

READ BEFORE USE

This refrigerator is for residential use only. It is not intended to be used in commercial or industrial settings.

Hamilton Beach®

Warning-----	2
Overview-----	3
Installation-----	4
Temperature Control-----	5
Daily Use-----	7
Cleaning-----	7
Daily Use-----	8
Important Warning-----	9
Troubleshooting-----	10
Limited warranty-----	11

Hamilton Beach®

Important Safety Instructions

WARNING

To reduce the risk of fire, electrical shock, or injury always follow these basic precautions when using your appliance.

1. **WARNING**----Keep ventilation openings, in the appliance enclosure or built-in structure, clear of obstruction.
2. **WARNING**----Do not use mechanical devices or other means to accelerate the defrosting process.
3. **WARNING**----Do not use electrical appliances inside the appliance
4. **WARNING**----**DANGER:** Never allow children to play with, operate, or crawl inside the appliance. Risk of child entrapment.
5. **WARNING**----**GROUNDING INSTRUCTIONS** This appliance must be grounded. In the event of an electrical short circuit, grounding reduces the risk of electrical shock by providing an escape wire for the electrical current. This appliance is equipped with a cord having a grounding wire with a grounding plug. The plug must be plugged into an outlet that is properly installed and grounded.
6. **DO NOT USE AN EXTENSION CORD**
7. Use an exclusive 120V wall outlet. Do not connect your refrigerator to extension cords or together with any other appliance in the same wall outlet. Do not splice the cord.
8. Always unplug before any maintenance or service on the appliance.
9. If a part is damaged, it must be replaced by the manufacturer, its service agent or similar qualified persons in order to avoid a hazard.
10. Follow local regulations regarding disposal of the appliance due to flammable refrigerant. All refrigeration products contain refrigerants, which under the guidelines of federal law must be removed before disposal. It is the consumer's responsibility to comply with federal and local regulations when disposing of this product.
11. This appliance is intended to be used in household and similar environment such as:
 - a Staff kitchen, workshop, office and other working environments;
 - b Farmhouses and by clients in hotels, motels and other residential type environments;
 - c Bed and breakfast type environments;
 - d Catering and similar non-retail applications.
12. Do not store or use gasoline or any inflammable liquors and liquids inside or in the vicinity of the refrigerator.
13. Do not use an extension cord with this appliance. If the power cord is too short, have a qualified electrician install an outlet near the appliance. The use of an extension can negatively affect the appliance's performance

DANGER:Before you discard or recycle your old refrigerator



- Completely remove the doors.
- Leaves the shelves in place so that children not may easily climb inside.



Hamilton Beach®

OVERVIEW

1. LED Light
2. Refrigerator Temperature Control
3. Adjustable tempered glass shelves
4. Refrigerator Adjustable Door Bin
5. Crispers
6. Freezer Drawer



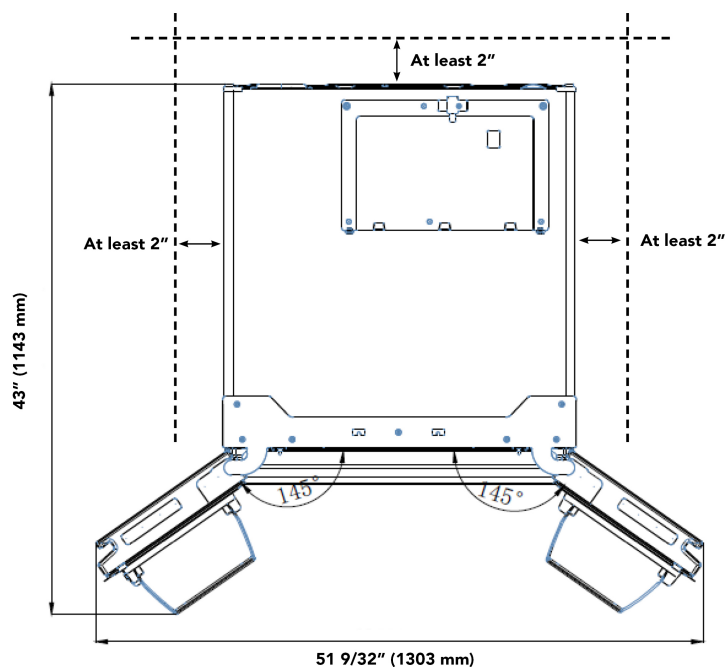
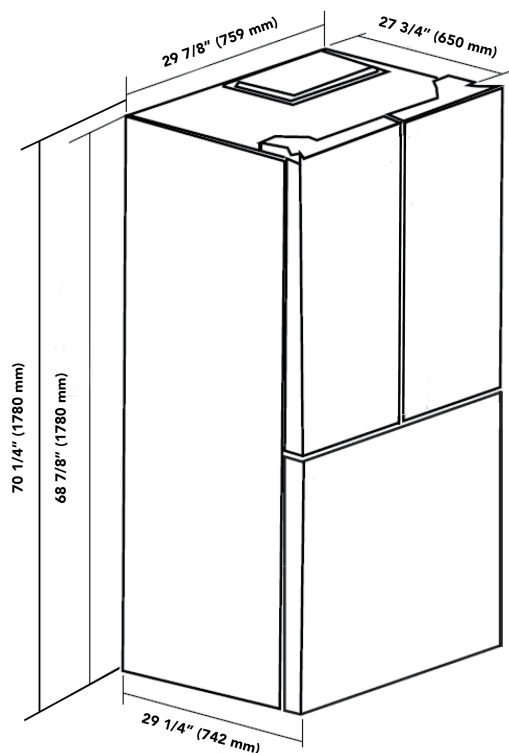
Note: Above picture is for reference only. The actual appliance maybe slightly different.

Hamilton Beach®

Installation

Installing your refrigerator

- This appliance is designed to be free-standing only, and should not be recessed or built-in.
- **This unit is not designed for use in a garage or any other outside installation**
- Ambient temperature below 50°F (10°C) or above 85°F (29.4°C) will hinder the performance of this appliance.
- Avoid locating the refrigerator in moist areas.
- Locate the refrigerator away from direct sunlight and sources of heat (stove, heater, radiator, etc.).
- Direct sunlight may affect the acrylic coating and heat sources may increase electrical consumption.
- Select a location with enough space for the refrigerator doors to open easily;
- Select a location with level (or nearly level) flooring;
- Allow sufficient space to install the refrigerator on a flat surface;
- Allow clearance to the right, left, back and top when installing. This will help reduce power consumption and keep your energy bills lower.

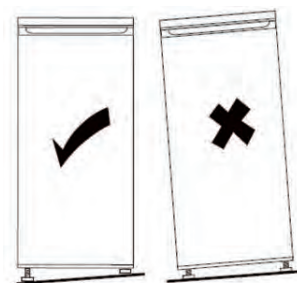


* The above figures are a guideline for installation purposes. The actual dimensions of the unit may vary slightly.

Levelling the refrigerator

To do this adjust the two levelling feet at front of the unit.

If the unit is not level, the doors and magnetic seal alignments will not be covered properly.



Hamilton Beach®

Temperature Control

Setting the Temperature Control

Your unit has one control for regulating the temperature. The temperature control is located on the outside of the refrigerator compartment door.

The default temperature is displayed in Fahrenheit when the unit is first powered on. Press and hold the "MODE" button 5 seconds, to switch between °C and °F. Other buttons use the same method to switch between two modes.

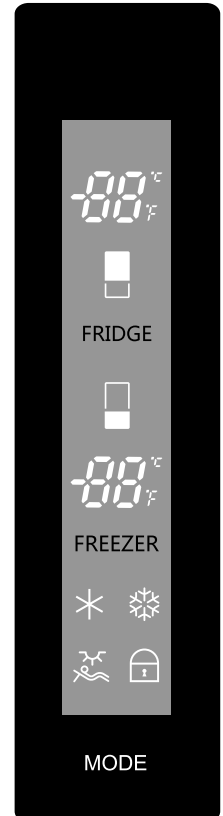
Set temperature range: Celsius degree mode

1. Fridge temperature range: 0~6 °C (Default value 3 °C)
2. Freezer temperature range: -23~-15 °C (Default value -19 °C)

Set temperature range: Fahrenheit degree mode

1. Fridge temperature range: 32~43°F (Default value 38°F)
2. Freezer temperature range: -10~5°F (Default value -2°F)

- The first time you turn the unit on, the unit will start at the factory-set default temperature, which is 38°F or 3°C in the refrigerator compartment and -2°F or -19°C in the freezer compartment.
- The first time you turn the unit on, adjust the temperature in the refrigerator compartment to 34°F and run for at least 4 hours before placing food inside. This will ensure that the freezer compartment is thoroughly chilled and the refrigerator compartment is stabilized before food is placed inside. Then adjust the temperature setting to your desired setting.
- To adjust the temperature in each zone, press the appropriate zone button, and the selected zone will flash on and off. The temperature will change according to the pre-set temperatures as shown below. You will hear a bell chime with each press of the control panel buttons.



Child Lock Mode

The CONTROL PANEL LOCK is designed to prevent any changes to the settings to the refrigerator.

To enable the CHILD LOCK, press the LOCK button, the CHILD LOCK icon will turn on.

The control panel will be locked until unlocked at the control panel or there is a loss of power.

To disable the CHILD LOCK, press and hold the lock button for approximately 3 seconds until the LOCK icon turns off and the control panel is working in normal operation mode.

Stanby Mode

The CONTROL PANEL will go dark after approximately 20 seconds if no input has been made.

To reactivate the display, simply press any of the buttons on the control panel.

Hamilton Beach®

Temperature Control

PRE-PROGRAMMED FUNCTIONS

FAST FREEZE MODE

This mode will set the freezer temperature to -10°F or -23°C for a quick drop in temperature when storing large amounts of warm or room-temperature foods in the freezer. The unit will remain in FAST FREEZE mode for 24 hours or until the temperature reaches -10°F or -23°C and will then return to the original setting, or until the function is turned off at the control panel. FAST COOL and FAST FREEZE can be run simultaneously.

To enable the FAST FREEZE mode, press the feature button until the FAST FREEZE icon is illuminated. The icon will remain illuminated when activated.

To disable the FAST FREEZE mode, press the function button until the FAST FREEZE icon is turned off.

FAST COOL MODE

This mode will set the refrigerator temperature to 32°F or 0°C for quick drop in temperature when storing large amounts of warm or room temperature foods in the refrigerator. The unit will remain in FAST COOL mode for 2 hours and 30 minutes or until the temperature reaches 32°F or 0°C and will then return to the original setting, or until the function is turned off at the control panel. Both FAST COOL and FAST FREEZE can be run together at the same time.

To enable the FAST COOL mode, press the feature button until the FAST COOL icon is illuminated. The icon will remain illuminated when activated.

To disable the FAST COOL mode, press the function button until the FAST COOL icon is turned off.

VACATION MODE

Use this mode when leaving for long periods of time, where you will remove the large majority of the refrigerator contents but leave contents in the freezer.

Vacation mode will automatically set the refrigerator section to 43°F or 6°C and the freezer section to 5°F or -15°C. The unit will remain in VACATION MODE until the feature is deactivated at the control panel.

To enable VACATION mode, press the feature button until the VACATION icon is illuminated. The icon will remain illuminated when activated.

To disable VACATION mode, press the function button until the VACATION icon is turned off.

Hamilton Beach®

Daily Use

Hints for storage of frozen food

To obtain the best performance from this appliance, you should:

- Make sure that commercially frozen foods were adequately stored by the retailer.
- Be sure that frozen foods are transferred from the food store to the freezer in the shortest possible time.
- Do not open the door frequently or leave it open longer than necessary.
- Once defrosted, food deteriorates rapidly and cannot be refrozen.
- Do not exceed the storage period indicated by the food manufacture.

Hints for refrigeration

To obtain the best performance:

- Do not store warm food or evaporating liquids in the refrigerator.
- Cooked foods, cold dishes, etc. These should be covered and may be placed on any shelf.
- Fruit and vegetables: these should be thoroughly cleaned, dried, and place in the crisper drawer(s).
- Butter and cheese: These should be placed in airtight containers or wrapped in aluminum foil or polythene bags to exclude as much air as possible.
- Milk bottles: these should have a cap and should be stored in the balconies on the door.
- Bananas, potatoes, onions and garlic, if not packed, must not be kept in the fridge.

Cleaning

For hygienic reasons the appliance interior, including interior accessories, should be cleaned regularly.



Caution! The appliances may not be connected to any power supply during cleaning. Danger of electrical shock! Before cleaning switch the appliance off and remove the plug from the outlet, or switch off the circuit breaker/fuse. Never clean the appliance with a steam cleaner. Moisture could accumulate in electrical components, danger of electrical shock! Hot vapours can lead to the damage of plastic parts. The appliance must be dry before it is placed back into service.

Important! Ethereal oils and organic solvents can attack plastic parts, e.g. lemon juice or the juice from an orange peel, butyric acid, a cleaner that contains acetic acid.

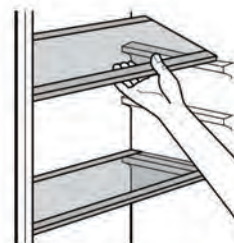
- Upon installation of your new appliance, it is recommended that it be cleaned thoroughly.
- Wash the inside with a damp warm cloth soaked in lukewarm water and baking soda solution. The solution should be about 2 tablespoons of baking soda to a quart of water.
- Be sure to keep the door gasket (seal) clean to keep the unit running efficiently.
- The outside of the refrigerator should be cleaned with mild detergent and warm water.
- Dry the interior and exterior with a soft cloth.
- To keep the inside sanitary without odor or dirty, regular cleaning required at least once a month.
- Do not allow such substances to come into contact with the appliance parts.
- Do not use any abrasive cleaners.

Hamilton Beach®

Daily use

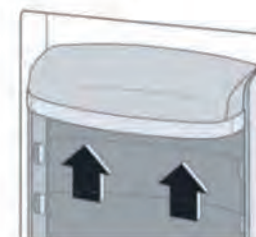
Adjustable Glass

The walls of the refrigerator are equipped with a built-in of runners so that the shelves can be easily positioned as desired.



Adjusting the door bins

To permit storage of food package various sizes, the door balconies can be placed at different heights. To make these adjustments proceed as follows: gradually pull the bin in the direction of the arrows until it the bin in the comes free, then reposition as required.



PRODUCT SPECIFICATIONS	
MODELNO.	HBF1770
CAPACITY OF FREEZER IN CU FT AND INTERIOR SIZE (IN.) (WxHxD)	5.27 (24.09x21.89x17.91)
CAPACITY OF FRIDGE IN CU FT AND INTERIOR SIZE (IN.) (WxHxD)	12.39 (25.51x36.97x22.64)
SHELF MATERIAL	GLASS
TEMPERATURECONTROL TYPE	Electronic control
TEMPERATURE RANGE FRIDGE IN FAHRENHEIT AND CELSIUS	32~43° F/0~6°C
TEMPERATURE RANGE FREEZER IN FAHRENHEIT AND CELSIUS	5 ~ -10° F/-15 ~ -23°C
DEPTH (LESS DOOR) (IN.)	25.59
DEPTH WITH DOOR OPEN 90 DEGREES (IN.)	41.42
HEIGHT TO TOP OF REFRIGERATOR (IN.)	70.08
PRODUCT DEPTH (IN.)	29.21
PRODUCT HEIGHT (IN.)	70.08
PRODUCT WIDTH (IN.)	29.88
POWER CORD LENGHT (IN.)	94.49
BPA FREE (YES/NO)	yes
REFRIGERANT TYPE	R600a
MAXIMUM POWER CONSUMPTION IN AMPS & WATTS	2.2A&190W
OPERATION NOISE dBA	42

Hamilton Beach[®]

Important Warning

- ⚠ Keep ventilation openings, in the appliance enclosure or built-in structure, clear of obstruction. Do not use mechanical devices or other means to accelerate the defrosting process, other than those recommended by the manufacturer.
- ⚠ Do not change or damage the refrigerant circuit.
- ⚠ Do not store explosive substances such as aerosol cans with a flammable propellant in this appliance.
- ⚠ During transportation and installation of the appliance, be certain that none of the components of the refrigerant circuit have become damaged.
- ⚠ It is dangerous to alter the specifications or modify this product in any way.
- ⚠ Any damage to the cord may cause a short circuit, fire and/or electric shock.
- ⚠ This appliance is intended to be used in residential household, office or light commercial applications such as Hotels and College Dorms.
- ⚠ All electrical components (plug, power cord, compressor and, etc.) must be replaced by a certified service agent or qualified service personnel.
- ⚠ The refrigerant contained within the compressor of the appliance is isobutene (R600a) which is environmentally friendly but flammable.
- ⚠ Make sure that the power cord is not crushed or damaged at the back of the appliance. A crushed or damaged power cord may overheat and cause a fire.
- ⚠ The power cord must not be lengthened.
- ⚠ Make sure that you can come to the power cord of the appliance.
- ⚠ Do not disconnect from electrical outlet by pulling the power cord.
- ⚠ If the electrical outlet is loose, do not insert the power cord. There is a risk of electric shock or fire.
- ⚠ This appliance is heavy. Care should be taken when moving it.
- ⚠ Do not remove or touch items from the freezer compartment if your hands are damp/wet, as this could cause skin abrasions or frost/freezer burns.
- ⚠ Avoid prolonged exposure of the appliance to direct sunlight.



Locate the refrigerator away from direct sunlight and sources of heat (stove, heater, radiator, etc.). Direct sunlight may affect the acrylic coating and heat sources may increase electrical consumption. Ambient temperature below 50°F (10°C) or above 85°F (29.4°C) will hinder the performance of this appliance. **This unit is not designed for use in a garage or any other outside installation.**

Hamilton Beach®

Troubleshooting

You can solve many common refrigerator problems easily, saving you the cost of a possible service call. Try the suggestions below to see if you can solve the problem before calling for service.

Problem	Possible Causes
The refrigerator does not operate.	<ul style="list-style-type: none"> •The power cord is unplugged. •The circuit breaker is tripped/fuse blown.
The compressor turns on and off.	<ul style="list-style-type: none"> •The room temperature is warmer than normal. •A large amount of food has been added to the refrigerator. •The door is left open or is frequently opened. •The temperature control is not set correctly •The door is not closed completely. •The door gasket does not seal properly. •The refrigerator does not have the correct clearances. •The refrigerator has recently been disconnected for a period of time.
The temperature inside the refrigerator is too warm.	<ul style="list-style-type: none"> •The temperature control is not set correctly. •The door is left open or is not set correctly. •The door gasket does not seal properly. •A large amount of warm or hot food was stored recently. Wait for the refrigerator to reach its selected temperature. •The refrigerator has recently been disconnected for a for a while.
Vibrating or rattling. (slight vibration is normal)	<ul style="list-style-type: none"> •Levelling legs need adjusting. •Refrigerator is placed on an uneven or weak surface. •The refrigerator is touching the wall. Re-level the refrigerator and move it away from the wall.
The temperature of the external of the refrigerator's surface is warm.	<ul style="list-style-type: none"> •The exterior refrigerator walls can be as much as 30°F warmer than room temperature. •This is normal while the compressor works to transfer heat from inside the refrigerator cabinet.
Moisture collects inside the refrigerator.	<ul style="list-style-type: none"> •The door is slightly open or is frequently opened. •The door is not sealed properly.
Moisture forms on the outside of refrigerator.	<ul style="list-style-type: none"> •Is normal in hot and humid weather. Air carries moisture into the refrigerator when doors are opened.
Bubbling or gurgling sounds. (like boiling water)	<ul style="list-style-type: none"> •This is the normal sound of refrigerant (used to cool the refrigerator) circulating throughout the system.
Popping or crackling sounds when the compressor comes on.	<ul style="list-style-type: none"> •This is normal. Metal parts undergo expansion and contraction. The sound will level off or disappear as the refrigerator runs.
The door will not close properly.	<ul style="list-style-type: none"> •The refrigerator is not on a level surface. •The gasket is dirty. •A storage basket is out of position.

Hamilton Beach®

LIMITED WARRANTY

To make a warranty claim, please email support@curtiscs.com or call 1-800-968-9853.

1 Year Warranty

This product is warranted to be free from defects in material and workmanship for a period of one (1) year from the date of original purchase. During this period, your exclusive remedy is repair or replacement of this product or component found to be defective, at our option; however, you are responsible for all costs associated with returning the product to us. If the product or component is no longer available, we will replace with a similar one of equal or greater value. Prior to a replacement being sent, the product must be rendered inoperable or returned to us.

This warranty does not cover glass, filters, wear from normal use, use not in conformity with the printed directions., or damage to the product resulting from accident, alteration, abuse, or misuse. This warranty extends only to the original consumer purchaser or gift recipient. Keep the original sales receipt, as proof of purchase is required to make a warranty claim. This warranty is void if the product is used for other than single-family household use or subjected to any voltage and waveform other than as on the specified rating on the label (e.g., 120V-60Hz).

We exclude all claims for special, incidental, and consequential damages caused by breach of express or implied warranty. All liability is limited to the amount of the purchase price. Every implied warranty, including any statutory warranty or condition of merchantability or fitness for a particular purpose, is disclaimed except to the extent prohibited by law, in which case such warranty or condition is limited to the duration of this written warranty. This warranty gives you specific legal rights. You may have other legal rights that vary depending on where you live. Some states or provinces do not allow limitations on implied warranties or special, incidental, or consequential damages, so the foregoing limitations may not apply to you.

For faster service, locate the model, type, and serial numbers on your appliance.

ATTACH YOUR PROOF OF PURCHASE HERE, PROOF OF PURCHASE IS REQUIRED TO OBTAIN WARRANTY SERVICE.

Please have the following information available when you contact the Support Team:

- Name, address and telephone number.
- Model number and serial number.
- A clear, detailed description of the problem.
- Proof of purchase including dealer or retailer name, address and date of purchase.

CURTIS
INTERNATIONAL LTD

Canada
CURTIS INTERNATIONAL LTD
7045 BECKETT DRIVE, UNIT 15
MISSISSAUGA, ONTARIO
L5S 2A3

Pour faire une demande de garantie, veuillez envoyer un courriel électronique à support@curtiscs.com ou appeler le 1-800-968-9853.

1 ans de garantie

Ce produit est garanti contre tout défaut de matériel et de fabrication pendant une période de un (1) ans à compter de la date d'achat d'origine. Pendant cette période, votre seul recours est la réparation ou le remplacement de ce produit ou composant jugé défectueux, à notre choix; Cependant, vous êtes responsable de tous les coûts associés au retour du produit. Si le produit ou le composant n'est plus disponible, nous le remplacerons par un produit similaire de valeur égale ou supérieure. Avant l'envoi d'un produit de remplacement, le produit doit être rendu inutilisable ou nous être renvoyé.

Cette garantie ne couvre pas le verre, les filtres, l'usure normale, une utilisation non conforme aux instructions imprimées, ni les dommages matériels résultant d'un accident, d'une altération, d'une utilisation abusive ou abusive. Cette garantie s'applique uniquement à l'acheteur initial ou au destinataire du cadeau. Conservez le reçu de vente original, car une preuve d'achat est nécessaire pour faire une réclamation de garantie. Cette garantie est annulée si le produit est utilisé pour un usage autre que domestique ou s'il est soumis à une tension ou une forme d'onde autre que celle indiquée sur l'étiquette (par exemple, 120V ~ 60HZ).

Nous excluons toute réclamation pour des dommages spéciaux, accessoires et consécutifs causés par une violation de la garantie explicite ou implicite. Toute responsabilité est limitée au montant du prix d'achat. Toute garantie implicite, y compris toute garantie légale ou condition de qualité marchande ou d'adéquation à un usage particulier, est refusée sauf dans la mesure où la loi l'interdit, auquel cas cette garantie ou condition est limitée à la durée de cette garantie écrite. Cette garantie vous confère des droits légaux spécifiques. Vous pouvez avoir d'autres droits légaux qui varient selon votre lieu de résidence. Certains états ou provinces n'autorisent pas les limitations de garanties implicites ou de dommages spéciaux, accessoires ou indirects, les limitations ci-dessus peuvent ne pas vous concerner. Pour un service plus rapide, trouver le modèle, le type et les numéros de série sur votre appareil.

JOIGNEZ VOTRE PREUVE D'ACHAT ICI, UNE PREUVE D'ACHAT EST NÉCESSAIRE POUR OBTENIR UN SERVICE DE GARANTIE.

Veuillez avoir l'information suivantes lorsque vous contactez l'équipe d'assistance :
• Nom, adresse et numéro de téléphone.
• Numéro de modèle et numéro de série.
• Une description claire et détaillée du problème.
• Preuve d'achat comprenant le nom, l'adresse et la date d'achat du revendeur ou du détaillant.

Guide de dépannage

Vous pouvez résoudre facilement par vous-même de nombreux problèmes communs. Vous économiserez ainsi le coût relié à un appel de service. Essayez les suggestions ci-dessous pour vérifier si vous pouvez résoudre le problème avant d'appeler le technicien de service de votre secteur.

Problèmes	Causes possibles
Réfrigérateur ne fonctionne pas.	<ul style="list-style-type: none"> Le réfrigérateur est débranché. Le disjoncteur s'est déclenché/fusible grillé.
Compresseur s'allume et s'éteint.	<ul style="list-style-type: none"> La température ambiante est plus élevée que la normale. Une grande quantité de nourriture a été ajoutée au réfrigérateur. La porte est laissée ouverte ou est fréquemment ouverte. Le contrôle de la température n'est pas réglé correctement. La porte n'est pas complètement fermée. Le joint de porte ne se scelle pas correctement. Il n'y a pas assez de dégagement et d'aération autour du réfrigérateur. Le réfrigérateur a récemment été débranché pour une période de temps.
La section du réfrigérateur est trop chaude.	<ul style="list-style-type: none"> Contrôle de la température incorrecte. La porte est laissée ouverte ou est fréquemment ouverte. Le joint de la porte ne se referme pas correctement. Une grande quantité de nourriture chaude a été entreposée récemment. Attendez que le réfrigérateur puisse atteindre la température sélectionnée. Le réfrigérateur a récemment été débranché pour une période de temps.
Vibration et cliquetis (une légère vibration est normale)	<ul style="list-style-type: none"> Ajustement nécessaire des pieds réglables. Le réfrigérateur est placé sur une surface non plane. Le réfrigérateur touche le mur. Remettez à niveau et l'éloigner du mur.
La température externe à la surface du réfrigérateur est élevée.	<ul style="list-style-type: none"> Les parois extérieures du réfrigérateur peuvent atteindre 30°C de plus que la température ambiante. Cela est normal lorsque le compresseur fonctionne pour transférer la chaleur de l'intérieur vers l'extérieur du réfrigérateur.
Humidité élevée à l'intérieur du réfrigérateur.	<ul style="list-style-type: none"> La porte est laissée ouverte ou est fréquemment ouverte. Le joint de porte ne se scelle pas correctement.
Humidité fréquente sur la surface extérieure du réfrigérateur.	<ul style="list-style-type: none"> C'est normal par temps chaud et humide. L'air transporte l'humidité dans le réfrigérateur lorsque les portes sont ouvertes.
Gargouillis (comme de l'eau qui boue)	<ul style="list-style-type: none"> Ceci est le son normal du réfrigérant (utilisé pour refroidir le réfrigérateur) circulant dans le système.
Bruits de craquement lorsque le compresseur se met en marche.	<ul style="list-style-type: none"> Ceci est normal. Les parties métalliques se dilatent et se contractent, comme des tuyaux d'eau chaude. Le son disparaîtra au fur et à mesure que le réfrigérateur continue de fonctionner.
La porte ne se ferme pas correctement.	<ul style="list-style-type: none"> Le réfrigérateur n'est pas sur une surface plane. Le joint est sale. Le panier de stockage n'est pas à la bonne place.

Avertissements importants

- △ Assurez-vous que les dégagements sont respectés et sans obstructions tout autour de l'appareil afin de favoriser une bonne aération.
- △ Ne pas utiliser de dispositifs mécaniques ou autres moyens pour accélérer le processus de dégivrage
- △ Ne pas changer ou endommager le circuit de réfrigérant.
- △ N'entreposez pas de substance explosive telle que les bombes aérosol dans cet appareil.
- △ Il est dangereux de modifier les spécifications ou de modifier ce produit de quelque façon que ce soit.
- △ Tout dommage au cordon peut provoquer un court-circuit et/ou un choc électrique.
- △ Cet appareil est destiné à être utilisé dans les ménages résidentiels, bureau ou des applications commerciales légères telles que les hôtels et les dortoirs de collage.
- △ Tous les composants électriques (fiche, cordon d'alimentation, compresseur, etc.) doivent être remplacés par un service certifié ou personnel qualifié.
- △ Le réfrigérant contenu dans le compresseur de l'appareil est du butane (R600a), qui est respectueux de l'environnement, mais inflammable.
- △ Assurez-vous que le cordon d'alimentation n'est pas écrasé ou endommagé à l'arrière de l'appareil.
- △ Un cordon d'alimentation endommagé peut surchauffer et provoquer un incendie.
- △ Le cordon d'alimentation ne doit pas être allongé.
- △ Assurez-vous que vous pouvez accéder facilement à la prise électrique de l'appareil.
- △ Ne tirez pas sur le câble d'alimentation électrique pour le sortir de la prise de courant.
- △ Si la prise de courant est endommagée, ne pas insérer dans la prise d'alimentation. Il y a un risque de choc électrique ou d'incendie.
- △ Cet appareil est lourd. Des précautions doivent être prises lors de son déplacement.
- △ Ne pas retirer ou toucher les articles du compartiment du congélateur si vos mains sont humides ou mouillées, car cela pourrait causer des abrasions cutanées ou des brûlures par le gel ou le congélateur.
- △ Évitez l'exposition prolongée de l'appareil à la lumière directe du soleil.

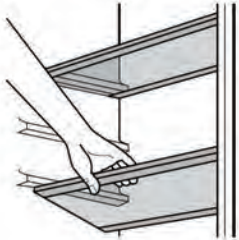


Placez le réfrigérateur loin de la lumière directe du soleil et des sources de chaleur (cuisinière, radiateur, etc.). La lumière directe du soleil peut affecter le revêtement acrylique et les sources de chaleur peuvent augmenter la consommation électrique. Une température ambiante inférieure à 50 °F (10 °C) ou supérieure à 85 °F (29,4 °C) nuira au rendement de cet appareil. **Cet appareil n'est pas conçu pour être utilisé dans un garage ou toute autre installation extérieure.**

Usage quotidien

Clayettes ajustables

Les parois intérieures du réfrigérateur sont munies de glissière qui permet de positionner à votre convenance les clayettes.



Balconnets de porte ajustables

Afin de permettre une flexibilité de rangement d'articles de différents formats, les balconnets de porte peuvent être placés à différentes hauteurs. Veuillez soulever le balconnet vers le haut (tel que l'indique les flèches cicontre) afin de le dégager, puis repositionner-le à la hauteur désirée.



PRODUCT SPECIFICATIONS	
MODEL NO.	HBF1770
CAPACITY OF FREEZER IN CU FT AND INTERIOR SIZE (IN.) (WxHxD)	5.27 (24.09x21.89x17.91)
CAPACITY OF FRIDGE IN CU FT AND INTERIOR SIZE (IN.) (WxHxD)	12.39 (25.51x36.97x22.64)
SHELF MATERIAL	GLASS
TEMPERATURE CONTROL TYPE	Electronic control
TEMPERATURE RANGE FRIDGE IN FAHRENHEIT AND CELSIUS	32~43° F/0~6°C
TEMPERATURE RANGE FREEZER IN FAHRENHEIT AND CELSIUS	5 ~ -10° F/-15 ~ -23°C
DEPTH (LESS DOOR) (IN.)	25.59
DEPTH WITH DOOR OPEN 90 DEGREES (IN.)	41.42
HEIGHT TO TOP OF REFRIGERATOR (IN.)	70.08
PRODUCT DEPTH (IN.)	29.21
PRODUCT HEIGHT (IN.)	70.08
PRODUCT WIDTH (IN.)	29.88
POWER CORD LENGTH (IN.)	94.49
BPA FREE (YES/NO)	Yes
REFRIGERANT TYPE	R600a
MAXIMUM POWER CONSUMPTION IN AMPS & WATTS	2.2A&190W
OPERATION NOISE DBA	42

Usage quotidien

Conseils pour le stockage des aliments surgelés

Pour obtenir les meilleures performances de cet appareil, vous devez :

- S'assurer que les aliments surgelés commercialement ont été entreposés adéquatement par le détaillant;
- S'assurer que les aliments congelés sont transférés du magasin d'aliments au congélateur le plus rapidement possible;
- N'ouvrez pas la porte fréquemment ou ne la laissez pas ouverte plus longtemps qu'il n'est absolument nécessaire;
- Une fois décongelés, les aliments se détériorent rapidement et ne peuvent pas être réutilisés;
- Ne pas dépasser la période d'entreposage indiquée par la fabrication des aliments.

Conseils pour le stockage des aliments frais

Pour obtenir les meilleures performances de cet appareil, vous devez :

- Ne conservez pas les aliments chauds ou les liquides fumants au réfrigérateur;
- Les aliments cuits, les plats froids, etc. doivent être couverts et placés sur n'importe quelle étagère;
- Fruits et légumes : ceux-ci doivent être soigneusement nettoyés et placés dans le ou les tiroirs spéciaux fournis;
- Beurre et fromage : ils doivent être placés dans des contenants hermétiques ou enveloppés dans du papier d'aluminium ou des sacs de polyéthylène pour exclure le plus d'air possible
- Bouteille de lait : elle doit être munie d'un bouchon et entreposée dans les balcons de la porte;
- Les bananes, les pommes de terre, les oignons et l'ail, s'ils ne sont pas emballés, ne doivent pas être conservés au réfrigérateur.

Nettoyage

Pour des raisons d'hygiène, l'intérieur de l'appareil, y compris les accessoires doivent être nettoyé régulièrement.



Attention! L'appareil ne doit pas être raccordé à une source électrique pendant le nettoyage. Danger de choc électrique! Avant de débiter le nettoyage, débrancher l'appareil de sa prise électrique murale. Ne nettoyez jamais l'appareil avec un appareil à vapeur. L'humidité pourrait s'accumuler dans les composants électriques, risque de choc électrique! Les vapeurs chaudes peuvent endommager les pièces en plastique. L'appareil doit être sec avant d'être remis en service.

Important! Les huiles étherées et les solvants organiques peuvent attaquer les parties en plastique: ex., le jus de citron ou des solvants à base d'agrumes, l'acide butyrique et tout nettoyant qui contient de l'acide acétique.

- Lors de l'installation de votre nouvel appareil, il est recommandé de le nettoyer à fond.
- Lavez l'intérieur avec un chiffon chaud humide imbibé d'eau tiède et de solution de bicarbonate de soude. La solution doit être d'environ 2 cuillères à soupe de bicarbonate de soude à un quart d'eau.
- Veillez à garder le joint de porte (joint d'étanchéité) propre pour que l'unité fonctionne efficacement.
- L'extérieur du réfrigérateur doit être nettoyé avec un détergent doux et de l'eau tiède.
- Sèchez l'intérieur et l'extérieur avec un chiffon doux.
- Pour que l'intérieur soit hygiénique sans odeur ni souillure, un nettoyage régulier doit être effectué au moins une fois par mois.
- Ne pas laisser ces substances entrer en contact avec les pièces de l'appareil;
- Ne pas utiliser de nettoyeurs abrasifs;

Utilisation des contrôles

Fonctions préprogrammées



MODE CONGÉLATION RAPIDE

Ce mode permet d'abaisser la température et congeler rapidement les aliments qui auraient été tempérés. L'appareil restera en mode CONGÉLATION RAPIDE pendant 24 heures ou jusqu'à ce que la température atteigne -10° F ou -23° C, puis reviendra à son réglage d'origine, ou jusqu'à ce que la fonction soit désactivée. REFFROIDISSEMENT RAPIDE et CONGÉLATION RAPIDE peuvent être exécutés simultanément.

Pour activer le mode CONGÉLATION RAPIDE, appuyez sur le bouton jusqu'à ce que l'icône CONGÉLATION RAPIDE s'allume. L'icône reste allumée tout au long de son activation.

Pour désactiver le mode CONGÉLATION RAPIDE, appuyez sur le bouton jusqu'à ce que l'icône CONGÉLATION RAPIDE soit éteinte.

MODE REFFROIDISSEMENT RAPIDE *

Ce mode permet d'abaisser rapidement la température à 32° F ou 0° C lorsque une grande quantité d'aliments chauds ou tempérés ont été ajoutés dans le réfrigérateur. L'appareil restera en mode REFFROIDISSEMENT RAPIDE pendant 2 heures et 30 minutes ou jusqu'à ce que la température atteigne 32° F ou 0° C avant de revenir à son réglage d'origine ou jusqu'à ce que la fonction soit désactivée. REFFROIDISSEMENT RAPIDE et CONGÉLATION RAPIDE peuvent être exécutés simultanément.

Pour activer le mode REFFROIDISSEMENT RAPIDE, appuyez sur le bouton jusqu'à ce que l'icône REFFROIDISSEMENT RAPIDE s'allume. L'icône reste allumée tout au long de son activation.

Pour désactiver le mode REFFROIDISSEMENT RAPIDE, appuyez sur le bouton jusqu'à ce que l'icône REFFROIDISSEMENT RAPIDE soit éteinte.



MODE VACANCES

Utilisez ce mode lorsque vous êtes absent pour une longue période de temps ou lorsque vous retirerez la grande majeure partie du contenu du réfrigérateur tout en laissant le contenu dans le congélateur. Le mode VACANCES permet de régler automatiquement la section du réfrigérateur à 43° F ou 6° C alors que la section du congélateur sera réglée à 5° F ou à -15° C. L'appareil demeure en MODE VACANCES jusqu'à ce que la fonction soit désactivée.

Pour activer le MODE VACANCES, appuyez sur le bouton de fonction jusqu'à ce que l'icône MODE VACANCES soit allumée. L'icône reste allumée tout au long de son activation.

Pour désactiver le MODE VACANCES, appuyez sur le bouton de fonction jusqu'à ce que l'icône MODE VACANCES soit éteinte.

Utilisation des contrôles

Réglage du contrôle de la température

Votre appareil dispose d'un seul contrôle de température. Le contrôle de température se trouve à l'extérieur sur la tranche de la porte droite du réfrigérateur.

La température par défaut est affichée en degrés Fahrenheit lorsque l'appareil est mis sous tension pour la première fois. Appuyez sur le bouton "MODE" et maintenez-le enfoncé pendant 5 secondes pour passer de °C à °F.

Plage de température en mode degrés Celsius

1. Section réfrigération: 0~6 °C (Programmation par défaut 3 °C)
2. Section congélation: -23~-15 °C (Programmation par défaut -19 °C)

Plage de température en mode degrés Fahrenheit

1. Section réfrigération: 32~43 °F (Programmation par défaut 38 °F)
2. Section congélation: -10~5 °F (Programmation par défaut -2 °F)

- La première fois que vous mettez l'appareil en fonction, la température affichée par défaut est 38 °F ou 3 °C dans le compartiment du réfrigérateur et de -2 °F ou -19 °C dans le compartiment congélateur.
- Lors de la première utilisation, réglez la température dans le réfrigérateur compartiment à 34 °F et laissez fonctionner pendant au moins 4 heures avant de placer les aliments à l'intérieur. Cela va permettre à l'appareil d'être suffisamment froid et stable avant que les aliments soient placés à l'intérieur. Puis, ajustez la température par la suite selon les besoins.
- Pour régler la température dans chaque zone, appuyez sur le bouton de la zone appropriée, et la zone sélectionnée clignotera. La température change en fonction des températures prédéfinies comme indiqué ci-dessous. Vous entendrez un indicateur sonore à chaque pression de boutons du panneau de commande.

Mode verrouillage

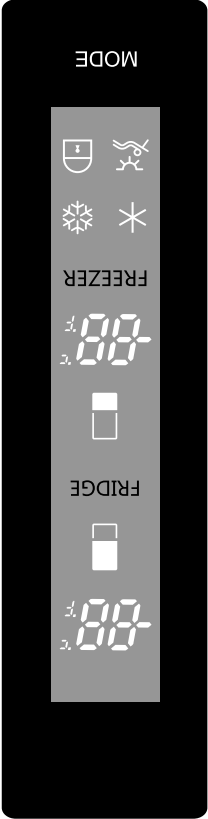
Le MODE VERROUILLAGE est conçu pour empêcher toute modification des réglages du réfrigérateur.

Afin de l'activer, appuyez sur l'icône cadenas qui s'allumera. Le panneau de commande restera verrouillé jusqu'à ce qu'il soit déverrouillé à nouveau ou suite à une interruption de courant.

Pour désactiver le MODE VERROUILLAGE, appuyez sur l'icône cadenas et maintenez-le enfoncé pendant environ 3 secondes jusqu'à ce que l'icône cadenas s'éteigne et que le panneau de commande fonctionne en mode de fonctionnement normal.

Mode veille

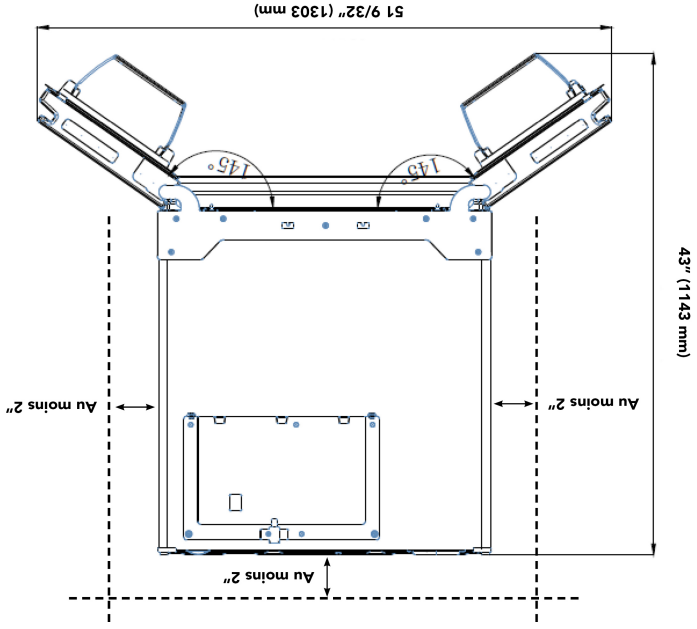
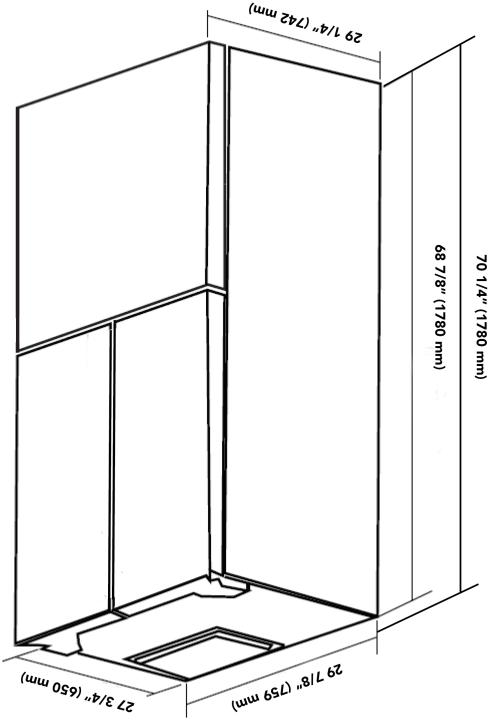
Le PANNEAU DE COMMANDE s'éteint après un délai d'environ 20 secondes si aucune entrée n'a été effectuée. Pour réactiver l'affichage, appuyez simplement sur l'un des boutons du panneau de commande.



Installation

Installation de votre réfrigérateur

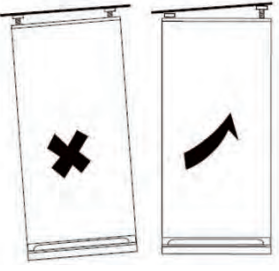
- Cet appareil est conçu pour être autonome seulement et ne doit pas être encastré ou intégré.
- **Cet appareil n'est pas conçu pour être utilisé dans un garage ou toute autre installation extérieure.**
- Une température ambiante inférieure à 50 ° F (10 ° C) ou supérieure à 85 ° F (29,4 ° C) nuira au rendement de cet appareil.
- Éviter de placer le réfrigérateur dans les zones humides.
- Placer le réfrigérateur à l'écart de la lumière directe du soleil et des sources de chaleur (cuisinière, radiateur, etc.).
- La lumière directe du soleil peut affecter le revêtement acrylique et les sources de chaleur peuvent augmenter la consommation électrique.
- Choisir un emplacement suffisamment spacieux pour que les portes du réfrigérateur s'ouvrent facilement; Laisser de l'espace suffisant pour installer le réfrigérateur sur une surface plane.
- Laisser l'espace libre à droite, à gauche, en arrière et en haut lors de l'installation, ce qui aidera à réduire la consommation d'énergie et à réduire vos factures d'énergie.



* Les schémas ci-contre constituent une ligne directrice pour l'installation. Les dimensions réelles de l'unité peuvent varier légèrement.

Nivellement de l'appareil

Vous devez ajuster les deux pattes de nivellement situées à l'avant de l'appareil. Si l'appareil n'est pas correctement mis à niveau, l'alignement des portes et des joints d'étanchéité magnétiques ne sera pas adéquat.



Description du modèle

1. Éclairage DEL
2. Contrôle de la température du réfrigérateur
3. Clayettes en verre trempé ajustables
4. Balconnets de porte
5. Tiroir de réfrigérateur
6. Congélateur à tiroir



Note: L'illustration ci-contre est à titre de référence seulement. Votre appareil peut-être légèrement différent.

Informations de sécurité importantes



Pour réduire les risques d'incendie, de chocs électriques ou de blessures, suivre ces précautions de base lors de l'utilisation de votre appareil.

- 1) **ATTENTION** ---- Gardez les ouvertures de ventilation, dans l'enceinte de l'appareil ou dans la structure intégrée, sans obstacles.
- 2) **ATTENTION** ---- Ne pas utiliser de dispositifs mécaniques ou autres moyens pour accélérer le processus de dégivrage, autres que ceux recommandés par le fabricant.
- 3) **ATTENTION** ---- Ne pas utiliser d'appareils électriques à l'intérieur de l'appareil.
- 4) **ATTENTION** ---- **DANGER:** Ne jamais laisser d'enfants jouer avec, exploiter, ou ramper à l'intérieur de l'appareil. Risque d'emprisonnement des enfants.
- 5) **ATTENTION** ---- **INSTRUCTION DE MISE À LA TERRE** Cet appareil doit être mis à la terre. Dans l'éventualité d'un court-circuit électrique, la mise à la terre réduit le risque de choc électrique en déviant le courant électrique qui pourrait s'échapper de l'appareil. La fiche doit être branchée dans une prise correctement installée et mise à la terre.
- 6) **LE CORDON ELECTRIQUE NE DOIT PAS ÊTRE RALLONGÉ.**
- 7) Utilisez une prise murale exclusive de 115V. Ne connectez pas votre réfrigérateur aux rallonges ou à tout autre appareil dans la même prise murale.
- 8) Toujours débrancher l'appareil avant toute opération de maintenance ou de service sur l'appareil.
- 9) Si un composant est endommagé ou défectueux, il doit être remplacé par le fabricant, un agent de service ou un personnel qualifié afin d'éviter tout danger.
- 10) Suivre la réglementation locale pour vous débarrasser de l'appareil, dû à l'inflammabilité du réfrigérant et du gaz. Tous les produits de réfrigération contiennent des réfrigérants, qui, selon les directives de la loi fédérale, doivent être enlevés au préalable. Il est de la responsabilité du consommateur de se conformer aux réglementations fédérales et locales lorsque vous débarrassez de ce produit.
- 11) Cet appareil est destiné à être utilisé dans un environnement domestique ou de petit commerce tel que dans:
 - a) Les cuisines pour le personnel, les ateliers, les bureaux et autres environnements de travail ;
 - b) Les maisons de ferme, par les clients hôteliers, motels et autres environnements de type résidentiel ;
 - c) Les environnements de type "Bed & Breakfast";
 - d) Les traiteurs et autres applications similaires non liées à la grande distribution.
- 12) Ne pas entreposer ou utiliser de l'essence ou tout autre liquide inflammable à l'intérieur ou à proximité du réfrigérateur.
- 13) Ne pas utiliser une rallonge avec cet appareil. Si le cordon d'alimentation est trop court, demandez à un électricien qualifié d'installer une prise près de l'appareil. L'utilisation d'une rallonge peut avoir un impact négatif sur la performance de l'appareil.

Avant de jeter ou de recycler votre vieux réfrigérateur:



- Retirez complètement les portes.
- Laissez les étagères en place afin que les enfants ne puissent pas grimper facilement à l'intérieur.



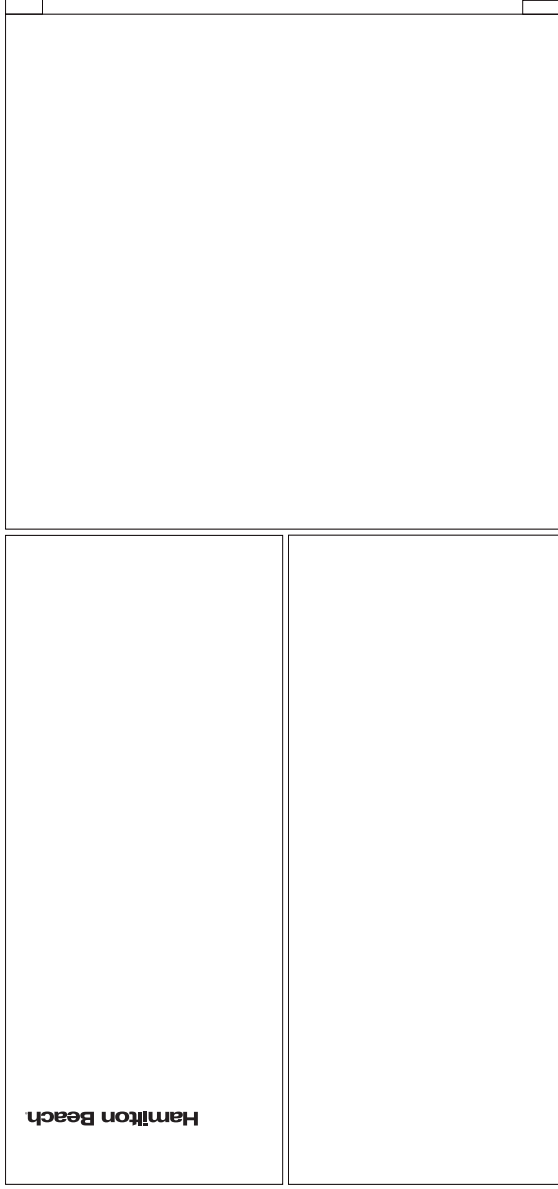
Hamilton Beach®

Avertissement	2
Aperçu	3
Installation	4
Contrôle de la température	5
Usage quotidien	7
Nettoyage	7
Usage quotidien	8
Avertissement important	9
Dépannage	10
Garantie limitée	11

Hamilton Beach®

Réfrigérateur à portes françaises 18 pi.cu

Modèle No. HBF1770



Manuel de l'utilisateur

LIRE AVANT UTILISATION

Este réfrigérateur es sólo para uso residencial. No está destinado a ser utilizado en ambientes comerciales o industriales.

Hamilton Beach® es una marca registrada de Hamilton Beach Brands, Inc. utilisé sous licence par Curtis International Ltd.

Pour obtenir assistance et information appelez: 1-800-968-9853.

Curtis International Ltd, 7045 BECKETT DRIVE, UNIT 15, MISSISSAUGA, ON, L5S 2A3 www.curtisint.com