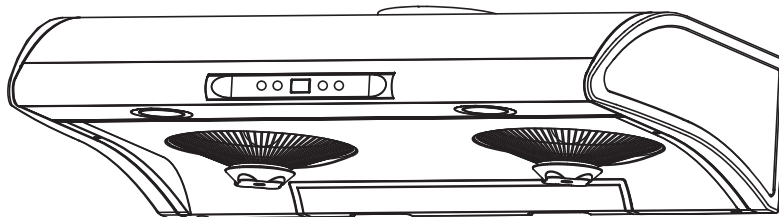


HAUSLANE | chef<sup>SERIES</sup>

# INSTRUCTION, USE & CARE MANUAL



UC-C400SS-30

# Safety Information



## READ AND SAVE THESE INSTRUCTIONS FOR DOMESTIC COOKING ONLY



**INSTALLER:** Leave this manual with the homeowner.

**HOMEOWNER:** Use and Care information on Page

If hood is to be installed Non-Ducted (Recirculation), then purchase a set of (2) non-ducted charcoal filters from your local distributor or retailer and attach them to the motor.

### WARNING

SUITABLE FOR USE IN HOUSEHOLD COOKING AREA.

TO REDUCE THE RISK OF FIRE, ELECTRICAL SHOCK, OR INJURY TO PERSONS, OBSERVE THE FOLLOWING:

1. Use this unit only in the manner intended by the manufacturer. If you have the questions, contact the manufacturer at the email address or telephone number listed in the warranty.
2. Before servicing or cleaning unit, switching power off at service panel and lock service panel to prevent power from being switched on accidentally. When the service disconnecting means cannot be locked, securely fasten a prominent warning device, such as a tag, to the service panel.
3. Installation work and electrical wiring must be done by a qualified personnel in accordance with all applicable codes and standards, including fire-rated construction codes and standards.
4. Sufficient air is needed for proper combustion and exhausting of gases through the flue (chimney) of fuel burning equipment to prevent back drafting. Follow the heating equipment manufacturer's guidelines and safety standards such as those published by the National Fire Protection Association (NFPA), and the American Society for Heating, Refrigeration and Air Conditioning Engineers (ASHRAE), and the local code authorities.
5. When cutting or drilling into wall or ceiling, do not damage electrical wiring and other hidden utilities.
6. Ducted fans must always be vented to the outdoors.
7. Do not use this unit with any solid-state speed control device.
8. To reduce the risk of fire, use only steel ductwork.
9. This unit must be grounded.

TO REDUCE THE RISK OF A RANGE TOP GREASE FIRE:

- A. Never leave surface units unattended at high settings. Boil overs cause smoking and greasy spillovers that may ignite. Heat oils slowly on low or medium settings.
- B. Always turn hood ON when cooking at high heat or when cooking flaming foods.
- C. Clean ventilating fans frequently. Grease should not be allowed to accumulate on fan or filter.
- D. Use proper pan size. Always use cookware appropriate for the size of the surface element.

### WARNING

TO REDUCE THE RISK OF INJURY TO PERSONS IN THE EVENT OF A RANGE TOP GREASE FIRE, OBSERVE THE FOLLOWING\*:

1. SMOTHER FLAMES with a close-fitting lid, cookie sheet or metal tray, then turn off the burner. BE CAREFUL TO PREVENT BURNS. IF THE FLAMES DO NOT GO OUT IMMEDIATELY, EVACUATE AND CALL THE FIRE DEPARTMENT.
2. NEVER PICK UP A FLAMING PAN – You may be burned.
3. DO NOT USE WATER, including wet dishcloths or towels – This could cause a violent steam explosion.
4. Use an extinguisher ONLY if:
  - A. You own a Class ABC extinguisher and you know how to operate it.
  - B. The fire is small and contained in the area where it started.
  - C. The fire department has been called.
  - D. You can fight the fire with your back to an exit.

\*Based on "Kitchen Fire Safety Tips" published by NFPA.

### CAUTION

1. For general ventilating use only. Do not use to exhaust hazardous or explosive materials and vapors.
2. To avoid motor bearing damage and noisy and/or unbalanced impellers, keep drywall spray, construction dust, etc. off power unit.
3. For the best capture of cooking impurities, your range hood should be mounted so that the top of the hood is 26"-30" above the cooking surface (min 26" for electric cooktop, 28" for gas cooktop). The minimum hood distance above cooktop must not be less than 26"; any installation less than 26" may cause over heat and cause damage to the range hood, CHEF RANGE HOODS does not warrant this improper installation.
4. Two installers are recommended because of the larger size and weight of this hood.
5. To reduce the risk of fire and to properly exhaust air, be sure to duct air outside – Do not exhaust air into spaces within walls and ceiling or into attics, crawl space or garages.
6. Because of the high exhausting capacity of this hood, you should make sure enough air is entering the house to replace exhausted air by opening a window close to or in the kitchen.
7. Use with approved cord-connection kit only.
8. Please read specification label in product for further information and requirements.

# Warranty

This range hood is warranted to the original purchaser to be free of defects in material and workmanship for two(2) year from the date of purchase.

Our obligation shall be limited to the repair or replacement of a unit (at our discretion) that may prove, by our sole examination, to be defective under normal use and service during the warranty period. We may issue credit in the amount of the invoice value of the defective product (or a percentage of it according to use) in lieu of repair or replacement. Any failure of this product that is not traceable to a defect in material or workmanship is not covered by this warranty. These non-warrantable items include, but are not limited to:

- Any defects or damage to light bulbs
- Change in color or finish due to chemical usage
- Improper installation not in accordance with the instructions
- Dents, bumps, and scratches incurred during shipping, handling, or installation
- Damage caused by failure to follow care and cleaning guidelines, including damage caused by the use of abrasive cleaners
- Alterations made to the unit by the purchaser or installer
- Damage caused by accidental impact, fire, flood, freezing, and normal wear
- Bends and warping caused by forced connections, over-tightened fittings, and inadequate support during installation

A thorough inspection must be made before installation and any damage must be promptly reported . We will not be liable for failures or damage that could have been discovered or avoided by proper inspection and testing prior to installation.

Incidental repairs that would involve a minimum of time and effort on behalf of the purchaser will not be considered warranty work and no compensation will be deemed forth coming.

This warranty is non-transferable and shall be voided if the unit is removed from its initial installation or if it is not installed following the instructions.

Under no circumstance shall we be held liable for personal injury or property damage resulting from improper installation or use of this product. We will not be held liable for inconvenience caused by loss of use of this product, costs incurred for labor or materials, removal and installation of replacement units, or any other incidental or consequential damages. Costs relating to obtaining access for repair or replacement are the responsibility of the user.

This warranty does not extend to commercial and institutional installation or use.

## WARRANTY CLAIM PROCEDURE

If a claimable defect occurs, please contact our customer service team at 1-800-929-0168 (8 a.m. - 5 p.m., PST, Monday-Friday).

Before you make your claim call, please ensure that you have:

- Description of the range hood
- Proof of sale
- Details regarding the defect
- Name(s) and address(es) of the owner and installer

Claims must be filled out in writing and returned within six (6) months of the appearance of a defect. Failure to comply with this stipulation will make this warranty null and void. We reserve the right to a thirty-day (30) delay following the receipt of a claim in which to inspect the product. We assume no responsibility for labor costs, removing or replacing a previously installed product, transportation, or the return of a product.

# ABOUT THIS MANUAL

Please take note this manual uses the following symbols to emphasize particular information:

## ⚠ WARNING

Identifies an instruction which, if not followed, might cause serious personal injuries including possibility of death.

## CAUTION

Denotes an instruction which, if not followed, may severely damage the unit and/or its components.

NOTE: Indicates supplementary information needed to fully complete an instruction.

## 1. INSTALL DUCTWORK

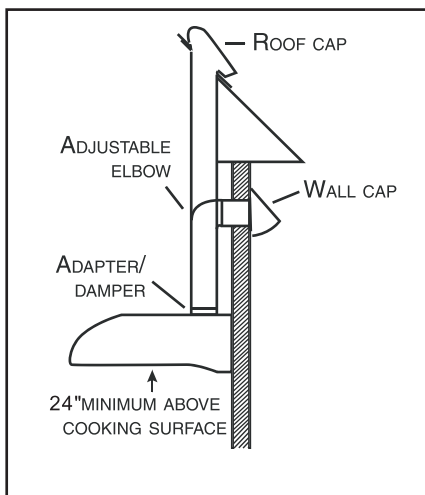
Choose where the ductwork will run between the hood and outdoors.

A straight, short duct run will allow the hood to perform most efficiently.

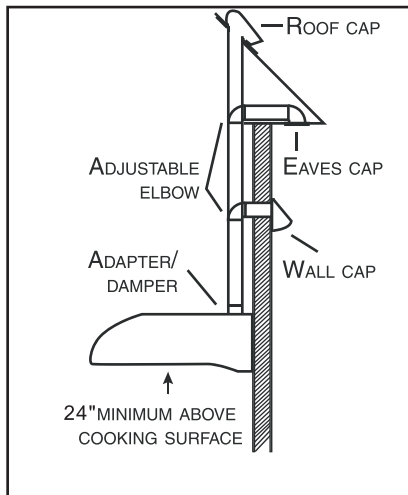
Long duct runs and elbows will reduce the performance of the hood. Use as few of them as possible.

Install proper-sized ductwork, elbow(s) and roof or wall cap for the type of discharge chosen. Use 2" metal foil duct tape to seal joints.

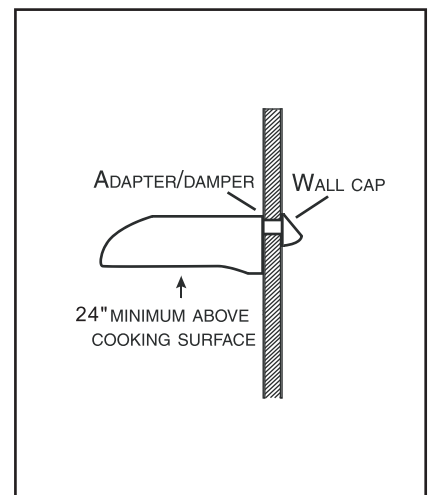
**VERTICAL DISCHARGE  
USING 6" ROUND DUCT**



**VERTICAL DISCHARGE  
USING 3 1/4" X 10" DUCT**



**HORIZONTAL DISCHARGE  
USING 3 1/4" X 10" DUCT**



NOTE: We recommend to install the hood at a minimum of 24" from cooking surface. For optimal performance, the hood should not be installed more than 30" from cooking surface.

## 2. PREPARE INSTALLATION

### **⚠ WARNING**

**When performing installation, servicing or cleaning the unit, it is recommended to wear safety glasses and gloves.**

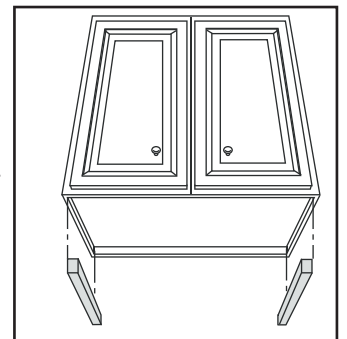
#### Tools needed to install the range hood:

- Phillips screwdriver no. 2
- Pair of long nose pliers
- Flat blade screwdriver (to open the electrical knockout hole)
- Scissors (to cut metal foil duct tape)
- Wire stripper

#### Make sure the following items are included:

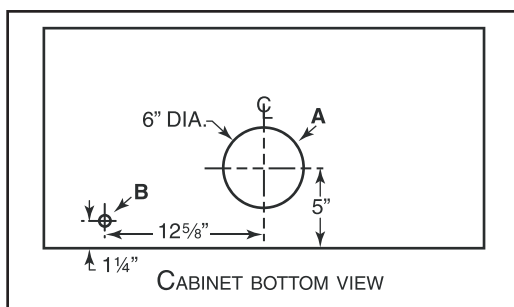
- Hood
- Adapter/dampers: Horizontal 3¼" x 10", vertical 3¼" x 10" and vertical 6" round
- Halogen bulbs (2) (JC type, 12 V, 20 W, G4 base)
- Parts bag including: 1 wire clamp, 4 no. ST4.8 x 15 mm mounting screws, 3 wire connectors

NOTE: If the bottom of the cabinet is recessed, attach wood strips (not included), as shown beside, in order to properly install the range hood under the cabinet. The wood strips must be as thick as recess.

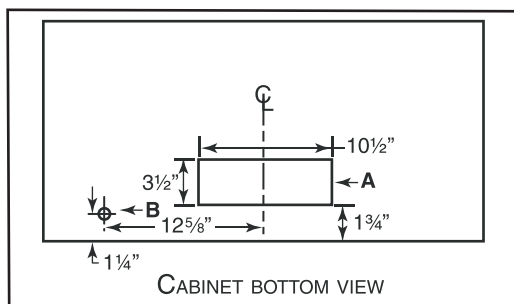


Cut-out the openings for duct (A) and power cable (B), in cabinet or wall, according to the direction of discharge chosen. See illustrations below.

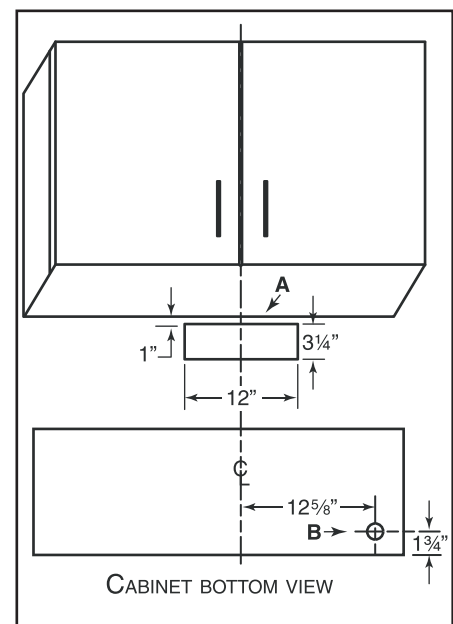
#### VERTICAL DISCHARGE (6" ROUND DUCT)



#### VERTICAL DISCHARGE (3¼" x 10" DUCT)



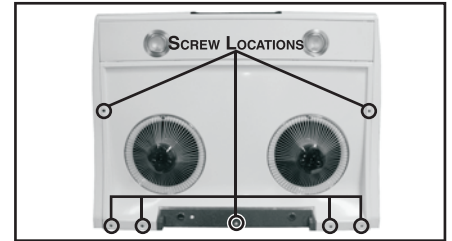
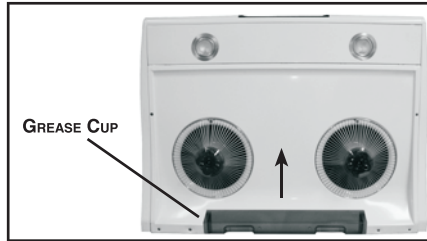
#### HORIZONTAL DISCHARGE



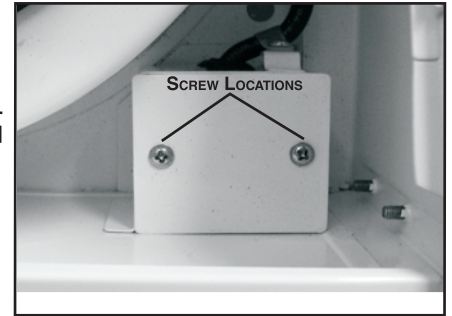
### 3. PREPARE THE HOOD

#### 3.1 ALL INSTALLATIONS

1. Lay the hood on its top on a table. Use a piece of cardboard to avoid damaging the table or the hood. Slide the main grease cup out and set aside. Remove the bottom panel 7 retaining screws. Set bottom panel and screws aside.

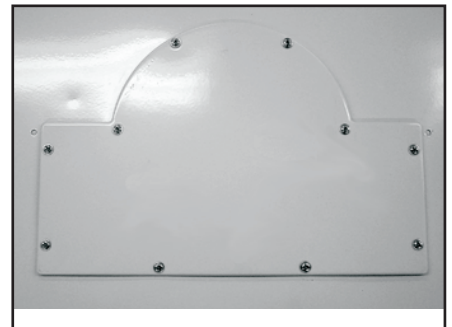


2. Remove both electrical box cover retaining screws. Remove cover and set aside with screws. Turn the hood over and punch out the wiring knock-out located on TOP of the unit and install the wire clamp (included).



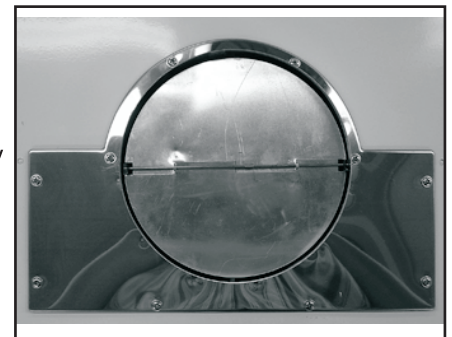
#### 3.2 VERTICAL DISCHARGE ONLY

1. Remove the shutoff plate 10 retaining screws. Set the screws aside and discard the shutoff plate.



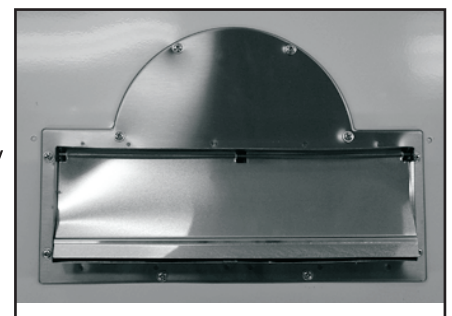
##### 6" ROUND DUCT INSTALLATION

2. Mount the 6" round adapter/damper on top of the hood, using the 10 screws previously removed.



##### 3 1/4" x 10" DUCT INSTALLATION

2. Mount the 3 1/4" x 10" adapter/damper on top of the hood, using the 10 screws previously removed.



### 3. PREPARE THE HOOD (CONT'D)

#### 3.3 HORIZONTAL DISCHARGE ONLY

1. Remove the large shutoff plate 5 retaining screws located on the BACK of the hood. Discard the shutoff plate and its screws.



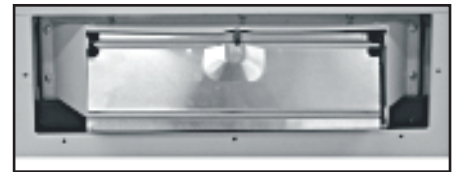
2. Remove the small shutoff plate 10 retaining screws located INSIDE the back of the hood. Set the screws aside and discard the shutoff plate.



3. Using the 10 screws previously removed in step 2, install the adapter in the inside back of the hood.



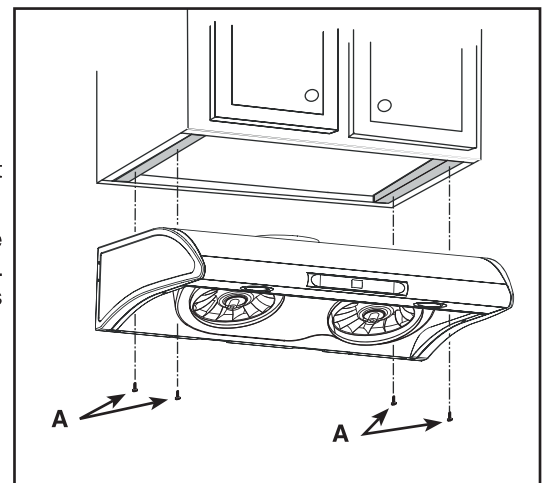
4. Install the damper in the adapter, as shown beside.



### 4. INSTALL THE HOOD

Run power cable to installation location. Place the hood close to its location and insert the cable in the hood.

Place the hood under the cabinet and tighten the wire clamp to secure the cable. Make sure the adapter/damper assembly enters the ducting and the damper opens freely. Secure the hood by installing and tightening the 4 no. ST4.8 x 15 mm mounting screws (included) completely at sides locations (A).

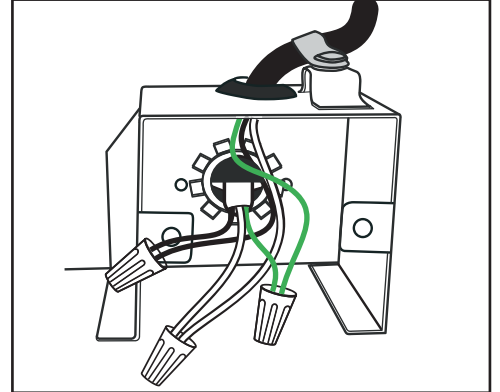


## 5. CONNECT WIRING

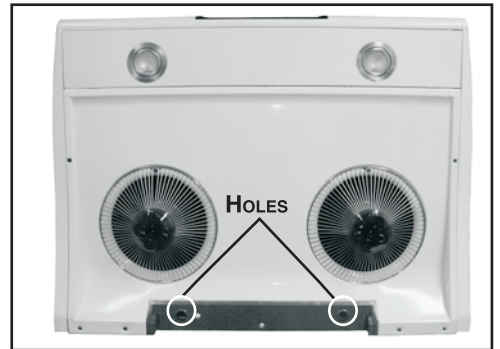
### **⚠ WARNING**

**Risk of electrical shock. Electrical wiring must be done by qualified personnel in accordance with all applicable codes and standards. Before connecting wires, switch power off at service panel and lock service disconnecting means to prevent power from being switched on accidentally.**

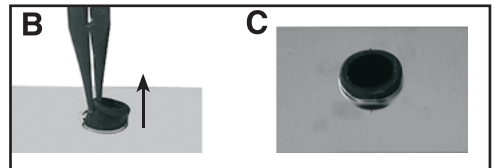
1. Connect cable to range hood wiring using included wire connectors. Connect BLACK to BLACK, WHITE to WHITE and GREEN or BARE wire to GREEN wire.
2. Reinstall wiring box cover using both screws previously removed in step 3.1.



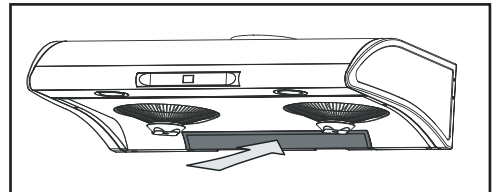
3. Reinstall bottom panel using the 7 screws previously removed in step 3.1. Make sure both grease guides are aligned with the holes.



4. Using long nose pliers, pull out the end of each grease guides (B). Then set them in such a way their flange slightly protrudes above the bottom panel surface (C).



5. Slide the main grease cup back in.





## 6. LIGHT BULBS

### **⚠ WARNING**

**Make sure power is switched off at service panel before carrying out any operation on the hood.**

This range hood requires two UL approved halogen bulbs (JC type, 12 V, 20 W, G4-base), included.  
To replace bulbs:

### **CAUTION**

**Take care not to damage the hood finish while using the screwdriver.**

1. Carefully insert the blade of a small flat blade screwdriver between light cover and rim and gently pry out light assembly.

### **⚠ WARNING**

**In order to prevent the risk of personal injury, the halogen lamps must cool down before removing them.**



2. Remove light cover from light assembly and set aside.



3. Replace bulb with a new JC type, 12 V, 20 W Max, G4 base halogen bulb.

### **CAUTION**

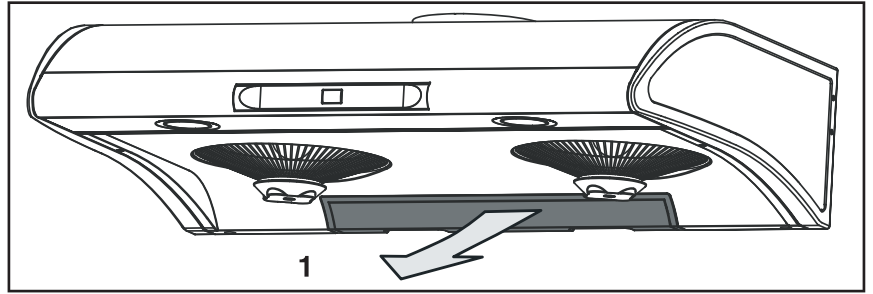
**Do not touch replacement bulb with bare hands!**

4. To reinstall the light cover, insert the 3 light cover tabs in the light assembly slots and gently push until secured.

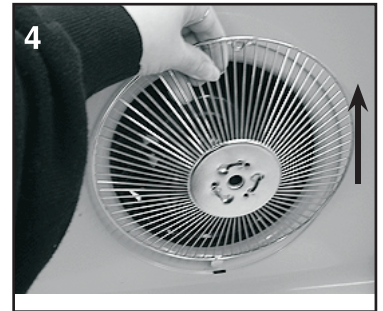
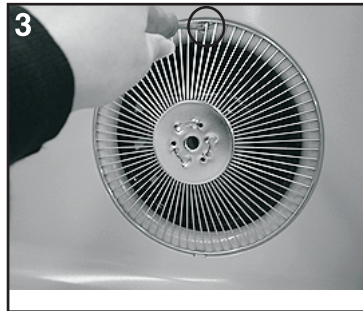
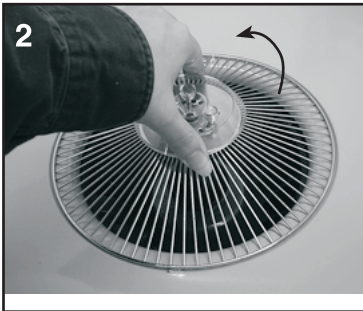


## 7. CLEANING AND MAINTENANCE

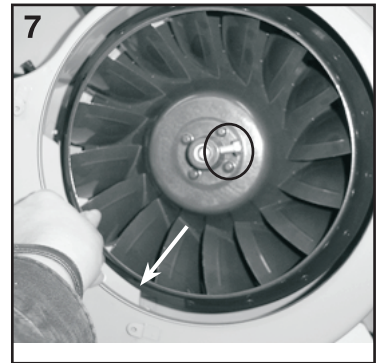
1. Slide out main grease cup.



2. Disengage the small grease guard cups from the metal guards by turning counterclockwise and remove.
3. Remove the screw retaining the metal guards to the hood.
4. Remove the metal guards from the hood. Then remove the bottom panel.

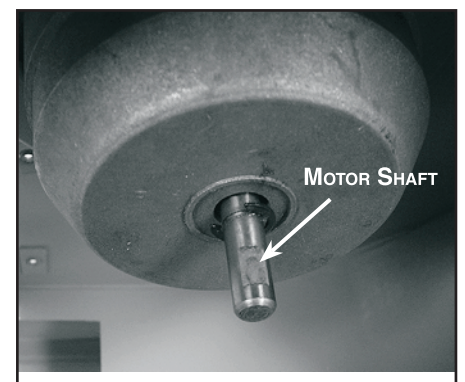


5. Unscrew the clips and remove the wheel grease collector.
6. Remove the wheel center cap.
7. Loosen the wheel set screw in order to disengage the wheel from its motor shaft.



Let soak all removed parts in warm water with soft soap for 30 minutes. Rinse and dry completely before reinstalling.

**NOTE:** When reinstalling the wheel, align the end of the set screw with the flat part of the motor shaft.



## 7. CLEANING AND MAINTENANCE (CONT'D)

---

### STAINLESS STEEL CLEANING:

<b>Do:</b> <ul style="list-style-type: none"><li>• Regularly wash with clean cloth or rag soaked with warm water and mild soap or liquid dish detergent.</li><li>• Always clean in the direction of original polish lines.</li><li>• Always rinse well with clear water (2 or 3 times) after cleaning. Wipe dry completely.</li><li>• You may also use a specialized household stainless steel cleaner.</li></ul>	<b>Don't:</b> <ul style="list-style-type: none"><li>• Use any steel or stainless steel wool or any other scrapers to remove stubborn dirt.</li><li>• Use any harsh or abrasive cleansers.</li><li>• Allow dirt to accumulate.</li><li>• Let plaster dust or any other construction residues reach the hood. During construction or renovation, cover the hood to make sure no dust adheres to stainless steel surface.</li></ul>
---	--

### **Avoid when choosing a detergent:**

- Any cleaners that contain **bleach** will attack stainless steel.
- Any products containing: **chloride, fluoride, iodide, bromide** will deteriorate surfaces rapidly.
- Any **combustible products** used for cleaning such as **acetone, alcohol, ether, benzol**, etc., are highly explosive and should never be used close to a range.

### ENAMEL FINISH:

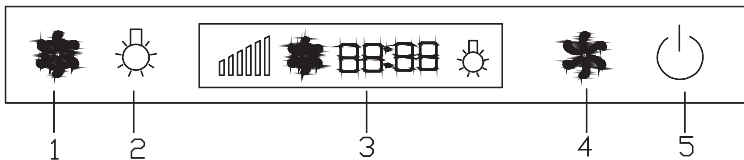
Clean with warm water and mild detergent only. If discoloration occurs, use a good enamel polish such as automotive polish. DO NOT use rough abrasive cleaner or porcelain cleaner.

## 8. OPERATION

---

### **ELECTRONIC SWITCH**

- 1 - AUTO-CLEAN SWITCH
- 2 - LAMP SWITCH
- 3 - DISPLAY
- 4 - FAN SPEED SWITCH
- 5 - ON/OFF SWITCH



## **CLOCK ADJUSTMENT**

When using this hood for the first time, or after a power failure, the display flashes regularly. To stop flashing, press on/off key for more than 5 seconds, the hood will be set to time setting mode. By pressing lamp key or fan speed key to change time setting, each single press or keep keys pressing can changes the time by 1 or 3 either up or down. Press the on/off key for confirmation when the right time appears.

1. The auto-clean switch controls the hoods water auto-clean function.
2. The lamp switch button,
  - Controls the lamp on and off;
  - Change the time down in time setting mode.
3. Display, shows the hood operation status and setting.
4. Fan speed button(three or six speeds)
  - Controls the fan speed;
  - Change the time up in time setting mode.
5. On/off switch button
  - Controls the hood on and off if pressing less than 5 seconds.
  - Entry to time setting mode if pressing more than 5 seconds.

## **AUTO CLEAN**

### **Descriptions:**

Inside the range hood, a detergent tank and a small pump automatically spurt detergent on the fan when you push the Auto Clean button.

Cleaning often keeps the inside of the range hood clean and prolongs the life of the range hood.

### **Operating Instructions:**

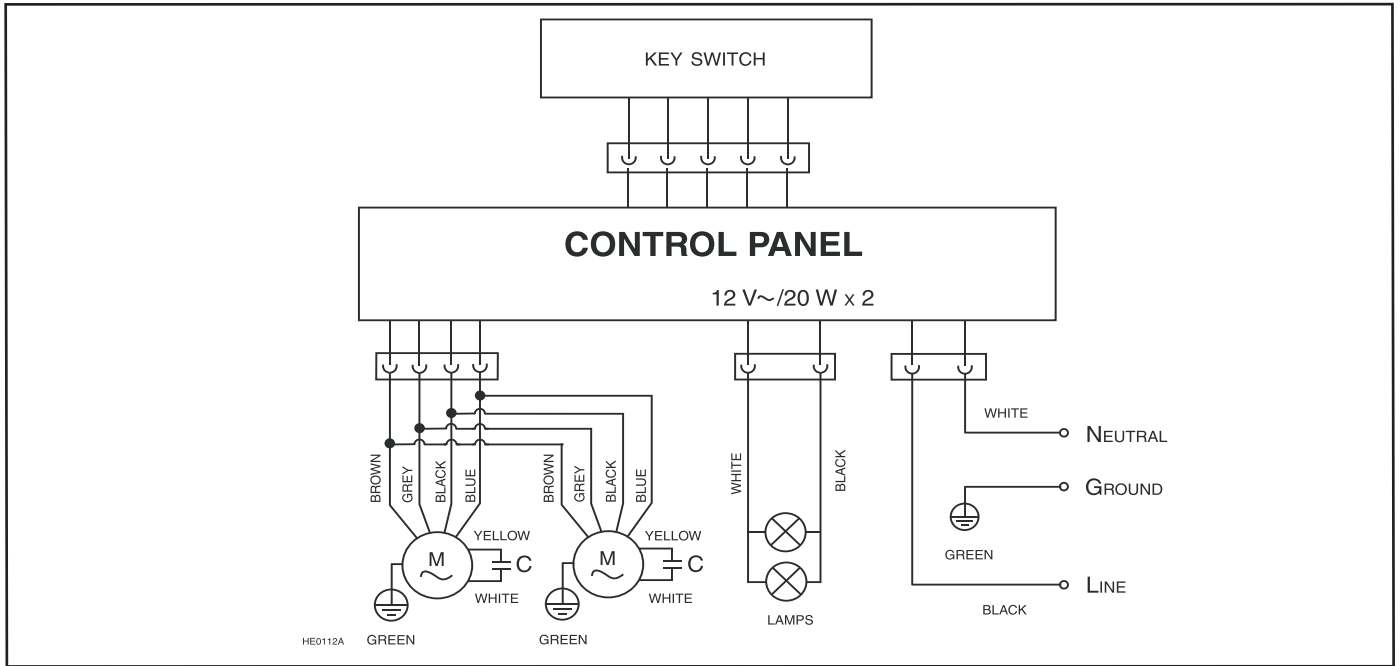
1. Mix the cleaner and water by pouring water and the cleaner to the marked level on the provided jar.
2. Pour the cleaning mixture in the jar into the hidden cleaner storage unit of the range hood through the water hole as shown in the picture. The volume of the cleaner storage unit is identical to the volume of the jar.

3. If cleaning mixture comes out from the excess water hole down into the oil retainer, it means the cleaner storage unit is full and no more cleaning mixture should be poured into the unit.
4. Press the “Auto Clean” button to start the motor and the cleaner will be discharged automatically to clean the inside of the range hood.
5. The oil retainer should be taken out to remove the dirty oil once the dirty oil reaches the marked line to prevent spillage.

## **Precautions**

1. Only range hood cleaner or dish detergent available in the market should be used.
2. Follow the water and cleaner mixture ratio marked on the supplied jar (ratio1: 5).
3. Consumers are advised to clean the range hood once a day. It may be cleaned less frequently according to individual needs.
4. When filling the range hood with the cleaning mixture, use only the jar provided with the range hood and take precautions not to overfill the cleaner storage unit.
5. Check the oil retainer during the cleaning process to prevent oil spillage. Do not allow dirty oil to exceed the marked level.
6. Do not put any other substances into the cleaner compartment unit as this will cause blockage of its injection hole.
7. The cleaner storage unit and the supplied jar are of identical size. The stored cleaning mixture can be used for 2 to 3 times. The cleaner storage unit may be refilled by diluted cleaner mixture every time after use. To prevent overfilling, excess cleaning mixture will be discharged into the oil retainer automatically.

## 9. WIRING DIAGRAM



## 10. SERVICE PARTS

KEY NO.	DESCRIPTION	QTY.
1	SWITCHBOARD	1
2	LIGHT ASSEMBLY (BULB INCLUDED)	2
3	LEFT MOTOR	1
4	RIGHT MOTOR	1
5	LEFT BLOWER WHEEL	1
6	RIGHT BLOWER WHEEL	1
7	WHEEL CENTER CAP	2
8	WHEEL GREASE COLLECTOR	2
9	MAIN GREASE CUP	1
10	METAL GUARD	2
11	GREASE GUARD CUP	2
*	MAIN CONTROL BOARD	1
*	INSTALLATION GUIDE	1

\* Not shown.

