

# Hisense

life reimagined

## USER'S OPERATION MANUAL

Before operating this unit, please read this manual thoroughly, and retain for future reference

**RB17N6DWE**

**RB17N6DSE**

English

## Contents

Brief introduction.....	2	Using your appliance.....	12
Important safety instructions.....	3	Cleaning and care.....	12
Installing your new appliance.....	5	Helpful hints and tips.....	13
Description of the appliance.....	10	Troubleshooting.....	14
Display controls.....	11	Disposal of the appliance.....	16

## Brief Introduction

Thank you for choosing Hisense. We are sure you will find your new refrigerator a pleasure to use. Before you use the appliance, we recommend that you read through these instructions carefully, which provides details about its usage and functions.

- Please ensure that everyone using this appliance is familiar with its operations and safety features. It is important that you install the appliance correctly and pay careful attention to the safety instructions.

- We recommend that you keep this user's manual with the appliance for future reference.

- This appliance is intended to be used in households and similar applications such as:

- Staff kitchen-areas in shops, offices and other working environments;
- Clients in hotels, motels and other residential types of environment;
- Bed and breakfast type of environments;
- Catering and similar non-retail applications.

- This appliance is not intended for use by persons (including children) with reduced physical, sensory or mental capabilities, or lack of experience and knowledge, unless they have supervision or been given instruction concerning use of the appliance. Children should be supervised

to ensure that they do not play with the appliance.

- Do not store explosive substances such as aerosol cans with a flammable propellant in this appliance.

**WARNING** — Connect to potable water supply only.

**WARNING** — Do not use mechanical devices or other means to accelerate the defrosting process, other than those recommended by the manufacturer.

**WARNING** — Do not damage the refrigerant circuit.

**WARNING** — Do not use electrical appliances inside the food storage compartments of the appliance, unless they are of the type recommended by the manufacturer.

**WARNING** — When disposing of the appliance do so only at an authorized waste disposal centre. Do not expose to flame.

**WARNING** — The instructions include the following wording regarding the use of extension cords or ungrounded (two prong) adapters: Do not use an extension cord or ungrounded (two prong) adapters.

**WARNING** — If the supply cord is damaged, it must be replaced by the manufacturer, its service agent or similarly qualified persons in order to avoid a hazard.

## Important Safety Instructions

### General safety and daily use



It is important to use your appliance safely. We recommend that you follow the guidelines below.

Store any food in accordance with the storage instructions from the manufacturer.

- Don't try to repair the appliance yourself. It is dangerous to alter the specifications or modify this product in any way. Any damage to the power cord may cause a short circuit, fire or electric shock.
- Don't place too much food directly against the air outlet on the rear wall of both the refrigerator and freezer compartment, as it affects sufficient air circulation.
- Don't place hot items near the plastic components of this appliance.
- Frozen food must not be refrozen once it has been thawed out.
- Don't store bottled or canned drinks (especially carbonated drinks) in the freezer compartment. Bottles and cans may explode.
- Use caution consuming popsicles or ice cubes straight from the freezer as this can cause freezer burn to the mouth and lips.

### Safety for children and infirm persons

- Keep all packaging away from children to avoid risk of suffocation.
- Protect children from being scalded by touching the compressor at the rear bottom of appliance
- Don't place items on top of the appliance as this could cause injury should they fall off.
- Never allow children to play with the appliance by hanging or standing over or on the doors, racks, shelves and drawers etc.

### Electrical Safety



To avoid the risks that are always present when using an electric appliance, we recommend that you pay attention to the instructions about electricity below.

- Unpack and check through the appliance. Should any damage be evident, don't plug in the appliance but contact the shop immediately from which you purchased it. Keep all packing materials in this case.
  - We recommend that you wait for 4 hours before connecting the appliance to allow the refrigerant to flow back into the compressor.
  - The appliance must be applied with single phase alternating current of **115V/60Hz**. If the voltage fluctuates exceeding the upper limit, A.C. automatic voltage regulator of more than 350W should be applied to the refrigerator for safety use.
  - The power plug must be accessible when the appliance is installed.
  - This appliance must be grounded.
  - This appliance is fitted with a plug, in accordance with local standard. The plug should be suitable for use in all houses fitted with sockets in accordance with current specifications.
  - If the fitted plug is not suitable for your socket outlets, it should be cut off and carefully disposed of. To avoid a possible shock hazard, do not insert the discarded plug into a socket. If in doubt contact a qualified, registered electrician.
  - Do not use extension cords, ungrounded (two prong) adapters or multiple sockets which could cause overloading of wiring circuits and could cause a fire.
- Always plug your appliance into its own individual electrical socket which has a

voltage rating that matched the rating plate.

- Make sure that the plug is not squashed or damaged. Otherwise, it may cause short circuit, electric shock or overheat and even cause a fire.
- Do not insert the power plug if the socket is loose, there is a risk of electric shock or fire.
- Switch off the appliance and disconnect it from the main power before you clean or move it.
- Never unplug the appliance by pulling on the electrical cord. Always grip the plug firmly and pull straight out from the socket to prevent damaging the power cord.
- Do not operate the appliance without the cover of interior lighting.
- Any electrical component must be replaced or repaired by a qualified electrician or authorized service engineer. Only genuine replacement parts should be used.
- Do not use electrical appliances such as ice cream makers inside the food storage compartments of the appliance unless they are approved by the manufacturer.

- To avoid eye injury, do not look direct into the LED light located in the refrigerator compartment. If it is not functioning correctly, consult a qualified, registered electrician or replace it in accordance with the “cleaning and care” chapter.

#### **Refrigerant**

The refrigerant isobutene (R600a) is contained within the refrigerant circuit of the appliance. During transportation and installation of the appliance, ensure that none of the components of the refrigerant circuit becomes damaged.

The refrigerant (R600a) is flammable.



#### **Caution: Risk of Fire**

- Don't store products which contain flammable propellants (e.g. spray cans) or explosive substances in the appliances.

#### **Should the refrigerant circuit be damaged:**

- Avoid open flames (candles, lamps etc.) and sources of ignition.
- Thoroughly ventilate the room in which the appliance is situated.

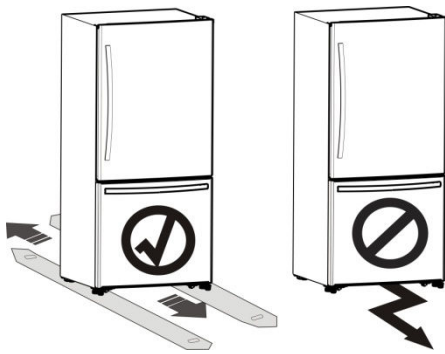
## Installing Your New Appliance

Before using the appliance for the first time, you should be informed of the following tips.

### Warning!

For proper installation, this refrigerator must be placed on a level surface of hard material that is the same height as the rest of the flooring. This surface should be strong enough to support a fully loaded refrigerator.

The rollers, which are not castors, should be only used for forward or backward movement. Moving the refrigerator sideways may damage your floor and the rollers.

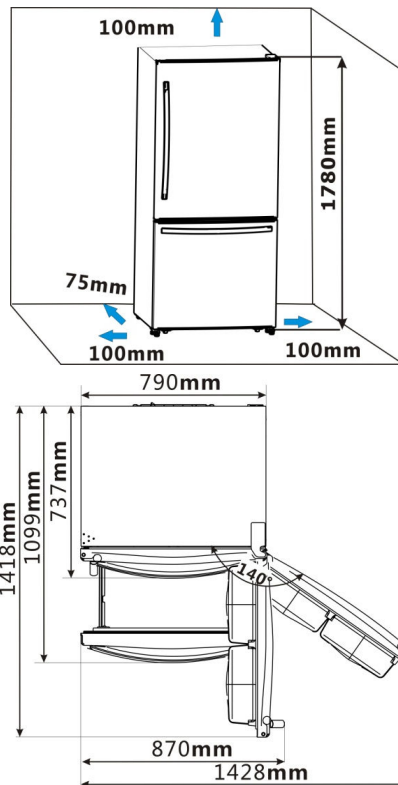


### Ventilation of appliance



In order to improve efficiency of the cooling system and save energy, it is necessary to maintain good ventilation around the appliance for the dissipation of heat. For this reason, sufficient clear space should be available around the refrigerator.

**Suggestion:** It is advisable for there to be at least 75mm of clearance from the back of the fridge to the wall, at least 100mm of clearance from its top, at least 100mm from its side to the wall and a clear space in front to allow the doors to open 140°. As shown in following diagrams.



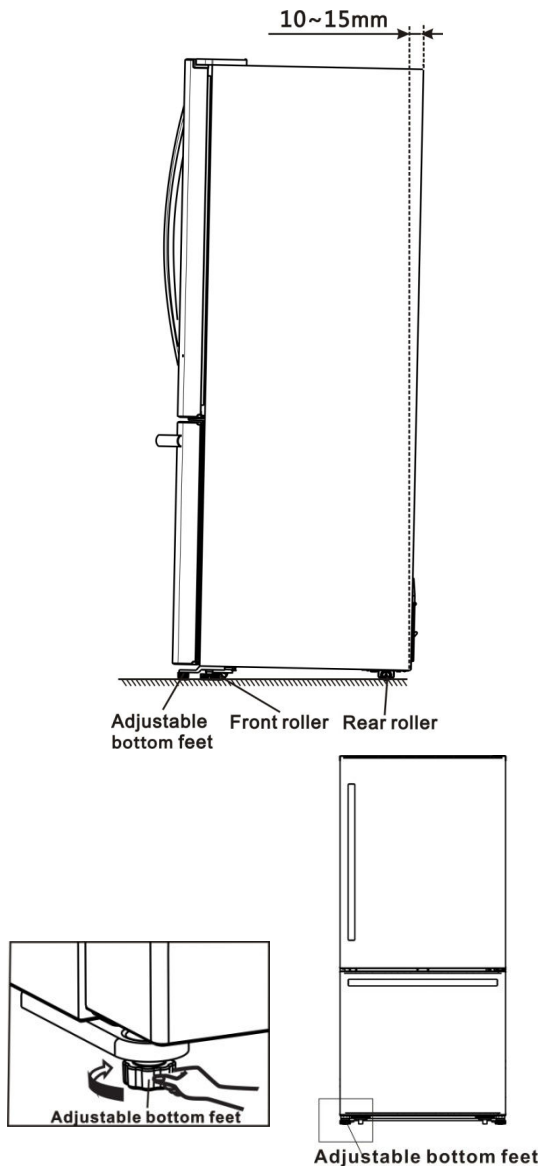
### Note:

- This appliance performs well with ambient temperature between 12.8°C to 43.3°C. The appliance may not work properly if left at a temperature above or below the indicated range.

- Stand your appliance in a dry place to avoid high moisture.
- Keep the appliance out of direct sunlight, rain or frost. Stand the appliance away from heat sources such as stoves, fires or heaters.

### Leveling of appliance

- For sufficient leveling and air circulating in the lower rear section of the appliance, the bottom feet may need to be adjusted. You can adjust them manually by hand or by using a suitable tool.
- To allow the doors to self-close, tilt the top backwards by 10-15mm.



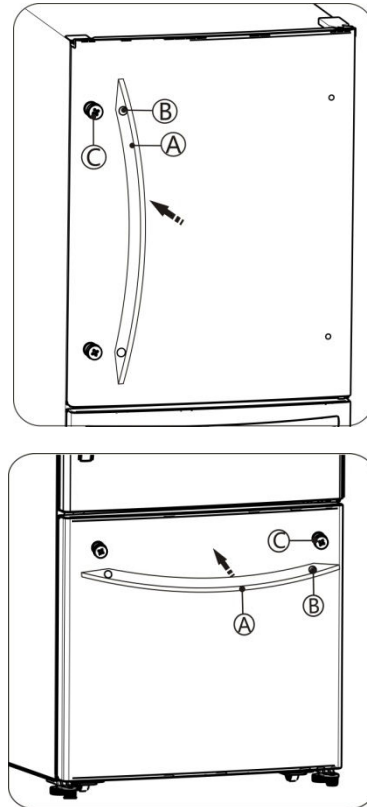
### Installing the handles

Before you use the appliance, you have to install the handles provided in the fridge chamber.

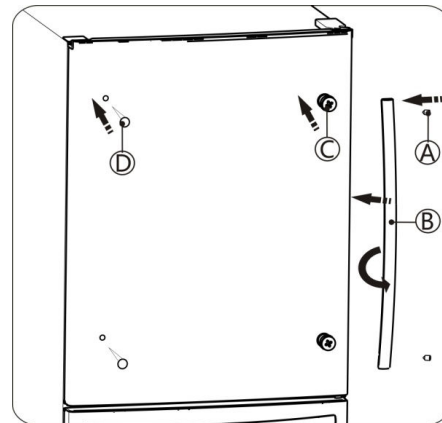
The longer one is fridge door handle, the shorter one is freezer door handle.

Please follow procedures below to install and reverse the handle.

- Place the handle (A) on the door by fitting the handle footprints over the handle supports (C), then fasten the screws (B) with 3mm Allen wrench (provided in plastic).



- When you reverse the fridge door, please move the handle (A), the screws (B) and the handle supports (C) to the right side. Move the screw hole covers (D) to the left side.



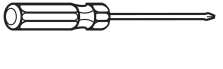
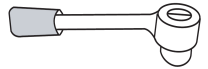
### Reversing the fridge door

The side at which the door opens can be changed, from the right side (as supplied) to the left side, if the installation site requires.

Warning! When reversing the door, the appliance must not be connected to the

mains. Ensure that the plug is removed from the mains socket..

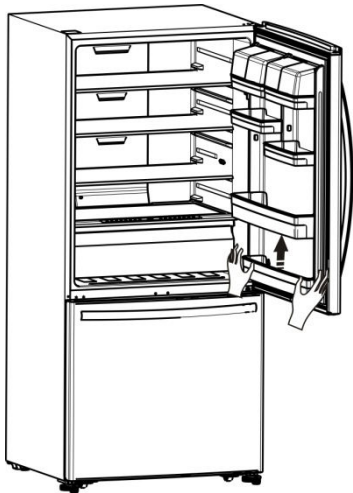
**Tools you will need(Not provided):**

	
Philips Screwdriver & Slotted Screwdriver	Wrench(8mm)

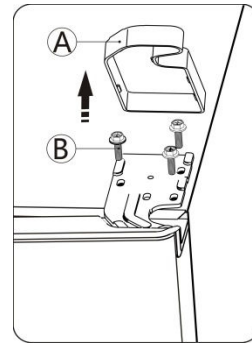
**Note:**

When required, tilt the refrigerator back in order to gain access to the base, you should rest the appliance on soft foam packaging or similar material to avoid damaging the backboard of the refrigerator. To reverse the door, the following steps are generally recommended.

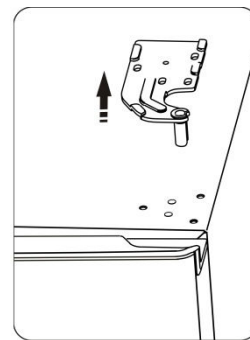
1. Stand the refrigerator upright. Open the upper door to take out all door racks (to avoid racks damaged) and then close the door.



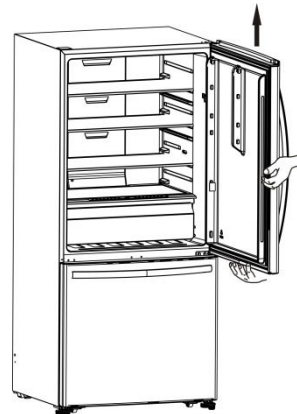
2. With the door closed, remove the upper hinge cover (A) (you can pry it up with slotted screwdriver) on the top right side of appliance and remove 3 special flange screws (B) with Wrench. Keep the upper hinge cover for future reference.



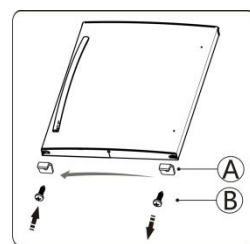
3. Remove the upper hinge (Please hold upper door by hand when installing). Keep it for future reference.



4. Use your both hands to open the door more than 90°. Lift it up and take it off.



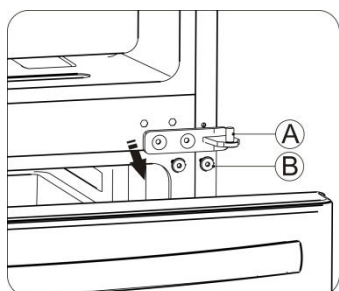
5. Loose screw (B) on the bottom of the fridge door and take down stop block (A), then install stop block (A) to the left side with screw (B).



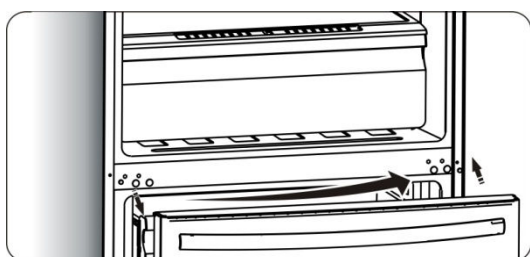
6. Open the freezer door, then loose 2



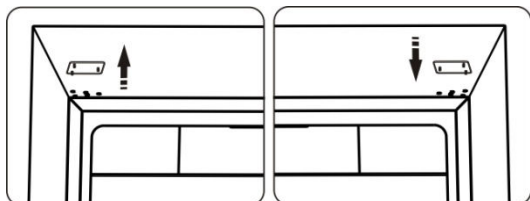
screws (B) with 4mm Allen Wrench (provided in plastic) and remove middle hinge (A). Keep the middle hinge (A) for future reference.



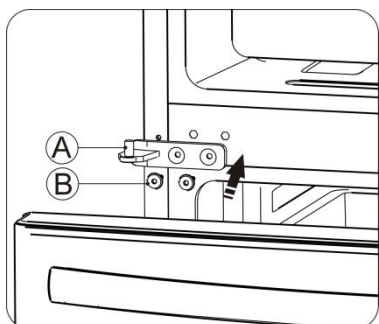
7. Change screw hole covers and screws on middle cover plate from left to right.



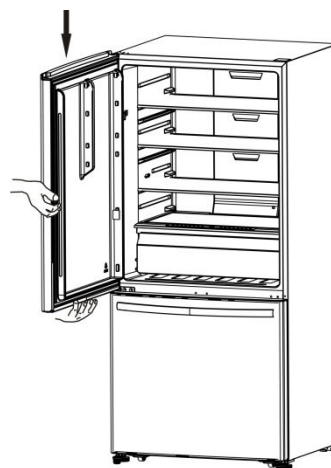
8. Remove screw hole cover (left) from the top left side of appliance and install it onto the top right side of refrigerator body.



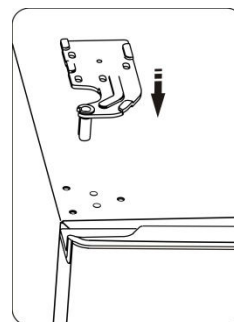
9. Put out the left middle hinge (A) (provided in plastic). Then screw it with 2 screws (B) from right side.



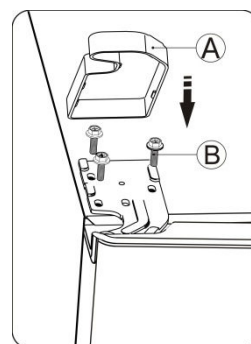
10. Close the freezer door. Refer to step 4, put the fridge door back on the other side, then close the fridge door and move it to an appropriate position.



11. Put out the left upper hinge from plastic bag provided. Then put it on the top left side refer to step 3.



12. Put out the upper hinge cover (A) from plastic bag provided, install them refer to step 2.

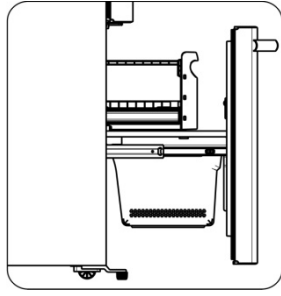


### Freezer Door Removal

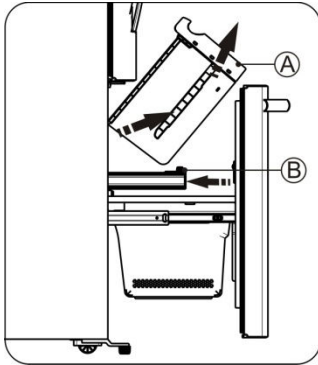
In case your home access door is too narrow for the refrigerator to pass through, remove the refrigerator doors and drawers as follows.

1. Pull out the freezer door and the upper freezer drawer to the final position.

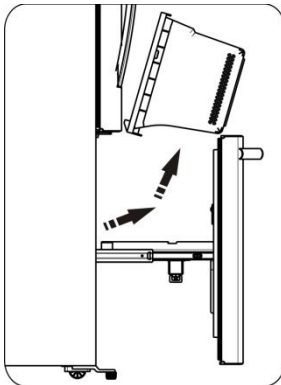




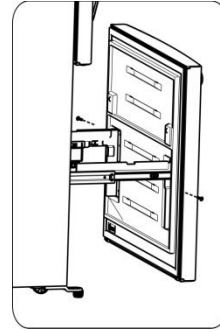
2. Take out the upper freezer drawer (A) by lifting it up from the rail system (B). Then push the rail system (B) back.



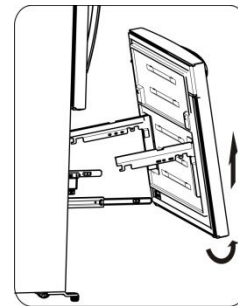
4. Remove the lower freezer drawer by lifting it up.



5. Remove the 2 screws attached to the supporting frame.



6. Pull out the freezer door and lift it up in the direction of the arrow.

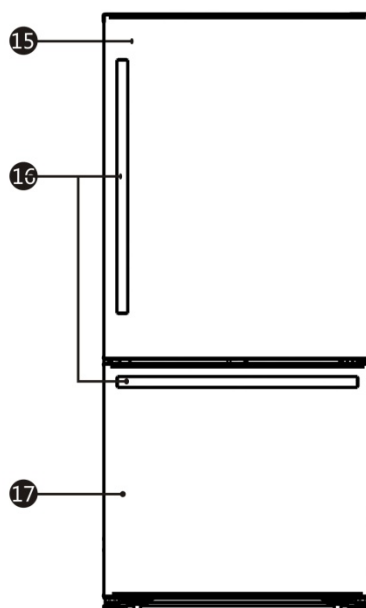
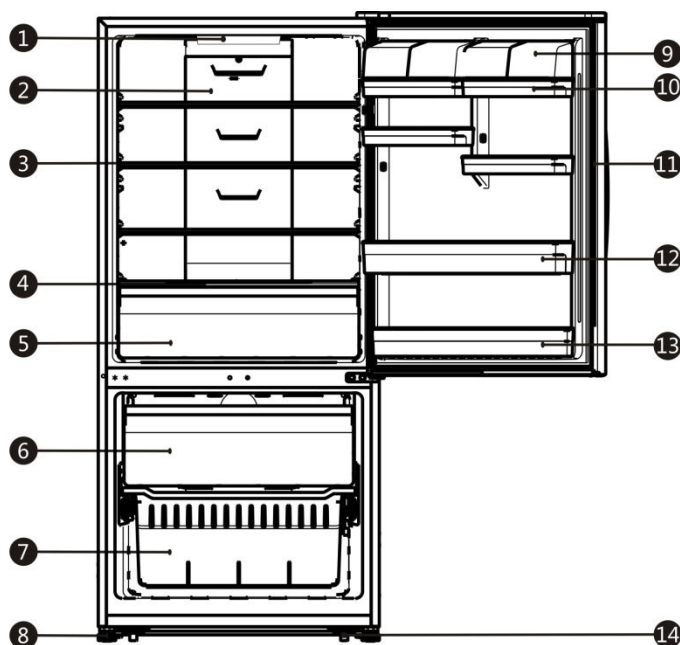


#### **Re-assembling the freezer door**

To reattach the drawer after you moved the appliance to its final location, assemble the parts in reverse order.

## Description of the Appliance

- ① Display panel
- ② Wind channel part
- ③ Glass shelf
- ④ Crisper cover
- ⑤ Fruit and vegetable crisper (with divider)
- ⑥ Upper freezer drawer
- ⑦ Lower freezer drawer
- ⑧ Adjustable bottom feet
- ⑨ Door rack cover
- ⑩ Small door rack
- ⑪ Door seal
- ⑫ Middle door rack
- ⑬ Lower door rack
- ⑭ Roll wheel
- ⑮ Fridge door
- ⑯ Handle
- ⑰ Freezer door

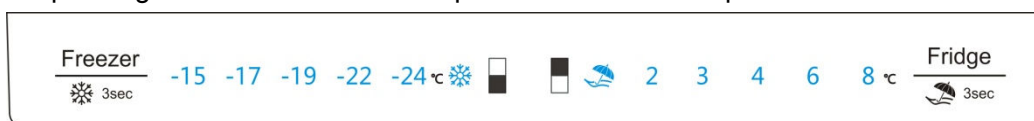


### Note !

- Due to unceasing modification of our products, your refrigerator may be slightly different from this instruction manual, but its functions and using methods remain the same.
- To get the best energy efficiency of this product, please place all shelves, drawers and baskets on their original position as the illustration above.

## Display Controls

Use your appliance according to the following control regulations, your appliance has the corresponding functions as the control panels showed in the pictures below.



### Controlling the temperature

We recommend that when you start your refrigerator for the first time, the temperature for the refrigerator is set to 4°C and the freezer to -19°C.. If you want to change the temperature, follow the instructions below.

#### Caution!

When you set a temperature, you set an average temperature for the whole refrigerator cabinet. Temperatures inside each compartment may vary from the temperatures displayed on the panel, depending on how much food you store and where you place it. High or low room temperature may also affect the actual temperature inside the appliance.

#### 1. Fridge



Press the middle part of the button to set fridge temperature between 2°C and 8°C as needed, and control panel will display corresponding figures according to the following sequence.



#### 2. Freezer




Press the middle part of the button to set fridge temperature between -15°C and -24°C as needed, and control panel will display corresponding figures according to the following sequence.



#### 3. Super freeze




Super Freeze will quickly lower the temperature with in the freezer so food will freeze faster. This can lock in the vitamins and nutrients of fresh food and keep food fresh longer.

- Press the middle part of button for 3 seconds to activate the super freeze function. The light  will be illuminated.
- Super freeze automatically switches off after 52 hours.
- When super freeze function is on, you can switch off super freeze function by pressing the middle part of button and the freezer temperature setting will revert back to the previous setting.

#### 4. Holiday



If you are going to be away for a long period of time, you can activate this function by pressing the middle part of button for 3 seconds until the light  illuminated

- When the holiday function is activated, the temperature of the refrigerator is automatically switched to 15 °C to minimize the energy consumption.

**Important!** Do not store any food in the fridge during this time.

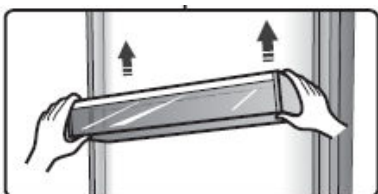
- When the holiday function is on, you can switch it off by pressing the middle part of button. The fridge temperature setting will revert back to the previous setting.

## Using your Appliance

This section tells you how to use most of the useful features. We recommend that you read through them carefully before using the appliance.

### Door rack

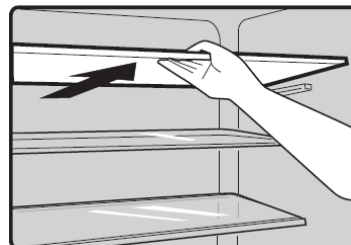
- It is suitable for the storage of eggs, canned liquid, bottled drinks and packed food, etc. Do not place too many heavy things in the racks.



### Shelf in Refrigerator chamber

- There are three shelves in refrigerator chamber, and they can be taken out to be

cleaned.



### Using the freezer compartment

The freezer compartment is provided with an upper drawer and a lower drawer. To remove all of them, refer to page 8 for disassembly instruction.

## Cleaning and Care

For hygienic reasons the appliance (including exterior and interior accessories) should be cleaned at least every two months.

### Warning!

To avoid electrical shock, the appliance must not be connected to the main power supply during cleaning. Before cleaning, switch the appliance off and remove the plug from the main socket.

### Exterior cleaning

To maintain good appearance of your appliance, you should clean it regularly.

- Spray water onto a cleaning cloth instead of spraying directly on the surface of the appliance. This helps ensure an even distribution of moisture to the surface.
- Clean the doors, handles and cabinet surfaces with a mild detergent and then wipe dry with a soft cloth.

### Caution!

- Don't use sharp objects to clean with, as they are likely to scratch the surface.
- Don't use Thinner, Car detergent, bleach,

ethereal oil, abrasive cleansers or organic solvent such as Benzene for cleaning. They may damage the surface of the appliance and may cause fire.

### Interior cleaning

You should clean the appliance interior regularly. It will be easier to clean when food stocks are low. Wipe the inside of the fridge freezer with a weak solution of backing soda and water, and then rinse with warm water using a wrung-out sponge or cloth. Wipe completely dry before replacing the shelves and baskets. Thoroughly dry all surfaces and removable parts before putting them back into place. Although this appliance automatically defrosts, a layer of frost may occur on the freezer compartment's interior walls if the freezer door is opened frequently or kept open too long. If the frost is too thick, choose a time when the freezer is nearly empty and proceed as follows:

1. Remove existing food and accessories baskets, unplug the appliance from the

main power and leave the doors open. Ventilate the room thoroughly to accelerate the process.

2. When defrosting is completed, clean your freezer as described above.

### **Warning!**

Do not use sharp objects to remove frost from the freezer compartment. Only after the interior is completely dry should the appliance be switched back on and plugged back into the main socket.

### **Door seals cleaning**

Take care to keep door seals clean. Sticky food and drinks can cause seals to stick to the cabinet and tear when you open the door. Wash seal with a mild detergent and warm water. Rinse and dry it thoroughly

## **Helpful Hints and Tips**

### **Energy Saving Tips**

We recommend that you follow the tips below to save energy.

- Try to avoid keeping the door open for long periods in order to conserve energy. Ensure the appliance is away from any sources of heat (direct sunlight, electric oven or cooker etc.)
- Don't set the temperature colder than necessary.
- Don't store warm food or evaporating liquid in the appliance.
- Place the appliance in a well ventilated, humidity free, room. Please refer to "Installing your New Appliance" chapter.
- If the diagram shows the correct combination for the drawers, crisper and shelves, do not adjust the combination as this is designed to be the most energy efficient configuration.

### **Hints for fresh food refrigeration**

- Do not place hot food directly into the refrigerator or freezer, the internal temperature will increase resulting in the

after cleaning.

**Caution!** Only after the door seals are completely dry should the appliance be powered on

### **Replacing the LED light**

Warning: The LED light must be replaced by a competent person. If the LED light is damaged, follow the steps below:

1. Unplug your appliance.
2. Remove light cover by rising up and pulling out the LED light.
3. Hold the LED light with one hand and pull it with the other hand while pressing the connector latch.
4. Replace LED light and snap it correctly in place and recover the light cover.

compressor having to work harder and will consume more energy.

- Do cover or wrap the food, particularly if it has a strong flavor.
- Place food properly so that air can circulate freely around it.

### **Hints for refrigeration**

- For Meat: (all types) wrap in cling wrap and place on the glass shelf above the vegetable drawer. Always follow food storage times and use by dates suggested by manufacturers.
- Cooked food, cold dishes, etc.: They should be covered and placed on any shelf.
- Fruit and vegetables: They should be stored in the special drawer provided.
- Butter and cheese: Should be wrapped in airtight foil or plastic film wrap.
- Milk bottles: Should have a lid and be stored in the door racks.

### Hints for freezing

- When first starting-up or after a period out of use, let the appliance run at least 2 hours on the higher settings before putting food in the compartment.
- Prepare food in small portions to enable it to be rapidly and completely frozen and to make it possible to subsequently thaw only the quantity required.
- Wrap up the food in aluminum foil or cling wraps which are airtight.
- Do not allow fresh, unfrozen food to touch the food which is already frozen to avoid temperature rise of the latter.
- Iced products, (ice cubes, popsicles): if consumed immediately after removal from the freezer compartment, will probably cause frost burns to the skin.
- It is recommended to label and date each frozen package in order to keep track of the storage time.

### Hints for the storage of frozen food

- Ensure that frozen food has been stored correctly by the food retailer
- Once defrosted, food will deteriorate rapidly and should not be re-frozen. Do not exceed the storage period indicated by the food manufacturer.

### Switching off your appliance

If the appliance needs to be switched off for an extended period, the following steps should be taken prevent mold on the appliance.

1. Remove all food.
2. Remove the power plug from the main socket.
3. Clean and dry the interior thoroughly.
4. Ensure that all the doors are wedged open slightly to allow air to circulate.

## Troubleshooting

If you experience a problem with your appliance or are concerned that the appliance is not functioning correctly, you can carry out some easy checks before calling for service, please see below.

**Warning!** Don't try to repair the appliance yourself. If the problem persists after you have made the checks mentioned below, contact a qualified electrician, authorized service engineer or the shop where you purchased the product.

**Warning!** A child entrapment warning statement is included in either the operating instructions or in a use and care manual provided with each refrigerator.

**DANGER:** Risk of child entrapment. Before you throw away your old refrigerator or freezer:

- Take off the doors.
- Leave the shelves in place so that children may not easily climb inside.

Problem	Possible Cause & Solution
Appliance is not working correctly	Check whether the power cord is plugged into the power outlet properly.
	Check the fuse or circuit of your power supply, replace if necessary.
	The ambient temperature is too low. Try setting the chamber

	<p>temperature to a colder level to solve this problem.</p> <p>It is normal that the freezer is not operating during the defrost cycle, or for a short time after the appliance is switched on to protect the compressor.</p>
Odours from the compartments	The interior may need to be cleaned
	Some food, containers or wrapping cause odours.
Noise from the appliance	<p>The sounds below are quite normal:</p> <ul style="list-style-type: none"> <li>•Compressor running noises.</li> <li>•Air movement noise from the small fan motor in the freezer compartment or other compartments.</li> <li>•Gurgling sound similar to water boiling.</li> <li>•Popping noise during automatic defrosting.</li> <li>•Clicking noise before the compressor starts.</li> <li>• Clicking noise when you get the water.</li> <li>•The motor running noises when you get ice.</li> </ul>
	<p>Other unusual noises are due to the reasons below and may need you to check and take action:</p> <p>The cabinet is not level.</p> <p>The back of appliance is touching the wall.</p> <p>Bottles or containers have fallen or are rolling.</p>
The motor runs continuously	<p>It is normal to frequently hear the sound of the motor, it will need to run more when in following circumstances:</p> <ul style="list-style-type: none"> <li>•Temperature setting is set colder than necessary</li> <li>•Large quantity of warm food has recently been stored within the appliance.</li> <li>•The temperature outside the appliance is high.</li> <li>•Doors are kept open too long or too often.</li> <li>•After installing the appliance or it has been switched off for a long time.</li> </ul>
A layer of frost occurs in the compartment	Check that the air outlets are not blocked by food and ensure food is placed within the appliance to allow sufficient ventilation. Ensure that door is fully closed. To remove the frost, please refer to the “Cleaning and Care” chapter.
Temperature inside is too warm	You may have left the doors open too long or too frequently; or the doors are kept open by some obstacle; or the appliance is located with insufficient clearance at the sides, back and top
Temperature inside is too cold	Increase the temperature by following the “Display Controls” chapter.
Doors can't be closed easily	Check whether the top of the refrigerator is tilted back by 10-15mm to allow the doors to self-close, or if something inside is preventing the doors from closing.



The light is not working	<ul style="list-style-type: none"> <li>•The LED light may be damaged. Refer to replace LED lights in “Cleaning and Care” chapter.</li> <li>•The control system has disabled the lights due to the door being kept open too long. Close and reopen the door to reactivate the lights.</li> </ul>
Ice is not dispensing	<ul style="list-style-type: none"> <li>•Did you wait for 12 hours after installation of the water supply line before making ice? If it is not sufficiently cool, it may take longer to make ice, such as when first installed.</li> <li>•Is the water line connected and the water valve open?</li> <li>•Did you manually stop the ice making function? Make sure you do not set the “ice off” mode.</li> <li>•Is there any ice blocked within the ice maker bucket or ice chute?</li> <li>•Is the water pressure less than 30psi? Install a booster pump to compensate for the low pressure.</li> <li>•Is the freezer temperature too warm? Try setting the freezer temperature lower.</li> <li>•Ice maker is not making the ice fast enough. Please wait for at least 90 minutes.</li> </ul>
Water dispenser is not functioning	<ul style="list-style-type: none"> <li>•Is the water line connected and the water valve open?</li> <li>•Has the water line been crushed or kinked? Make sure the waterline is free and clear of any obstruction.</li> <li>•Is the water tank frozen because the refrigerator temperature is too low? Try selecting a warmer setting on the display panel.</li> <li>•Check if the filter is properly installed. If it is not properly installed, the water dispenser may not work.</li> </ul>
Hear water bubbling in the refrigerator	This is normal. The bubbling comes from the refrigerant coolant liquid circulating through the refrigerator.

## Disposal of the Appliance

It is prohibited to dispose of this appliance as household waste.



### Packaging materials

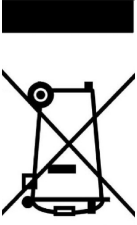
Packaging materials with the recycle symbol are recyclable. Dispose of the packaging into a suitable waste collection container to recycle it.

### Before disposal of the appliance

1. Pull out the main plug from the main socket.
2. Cut off the power cord and discard with the main plug

**Warning!** Refrigerators contain refrigerant and gases in the insulation. Refrigerant and gases must be disposed of professionally as they may cause eye injuries or ignition. Ensure that tubing of the refrigerant circuit is not damaged prior to proper disposal.

<b>Correct Disposal of this product</b>	
 	<p>This symbol on the product or in its packing indicates that this product may not be treated as household waste. Instead, it should be taken to the appropriate waste collection point for the recycling of electrical and electronic equipment. By ensuring this product is disposed of correctly, you will help prevent potential negative consequences for the environment and human health, which could otherwise be caused by the inappropriate waste handling of this product. For more detailed information about the recycling of this product, please contact your local council, your household waste disposal service, or the shop where you purchased the product.</p>

<p><b>Élimination correcte de ce produit</b></p>	
<p>Ce symbole sur le produit ou dans son emballage indique que ce produit ne peut être considéré comme déchets domestique. Au lieu de cela, il faut l'amener au point de collecte des déchets approprié pour le recyclage des équipements électroniques et électroniques. En veillant à ce que ce produit soit éliminé correctement, vous aiderez à prévenir les conséquences négatives potentielles pour l'environnement et la santé humaine, ce qui pourrait être causé par une mauvaise manipulation des déchets de ce produit. Pour des informations plus détaillées sur le recyclage de ce produit, veuillez contacter votre conseil local, votre service d'élimination des déchets ménagers ou le magasin où vous avez acheté le produit.</p>	

causer des lésions oculaires ou un incendie. Rassurez-vous que les tubes du circuit de réfrigérant ne sont pas endommagés avant l'élimination appropriée de ces gaz.

## Réfrigérateur Hisense

**Attention !** Les réfrigérateurs contiennent du fluide frigorigène et des gaz dans l'isolation. Le fluide frigorigène et les gaz doivent être éliminés professionnellement, car ils peuvent

1. Débranchez la fiche de la prise d'alimentation.
2. Coupez le cordon d'alimentation et jetez-le avec la fiche secteur.

### Avant la disposition de l'appareil

Disposez-vous de l'emballage dans un collecte de déchets approprié pour le recycler. Les matériaux d'emballage avec le symbole de recyclage sont recyclables.

### Matériaux d'emballage

Il est interdit de se débarrasser de cet appareil en tant que déchet domestique.

## Recyclage de l'appareil

<p>Entendre bouillonnement d'eau dans le réfrigérateur</p>	<p>C'est normal. Le bouillonnement provient du fluide réfrigérant circulant dans le réfrigérateur.</p>
<p>Le distributeur d'eau ne fonctionne pas</p>	<p>• La conduite d'eau est-elle connectée et la vanne d'eau est-elle ouverte? • La conduite d'eau a-t-elle été écrasée ou pliée? Rassurez-vous que la conduite d'eau est libre et sans obstruction. • Le réservoir d'eau est-il gelé parce que la température du réfrigérateur est trop basse? Essayez de régler la température sur une valeur plus élevée, depuis l'écran de commande tactile. • Vérifiez si le filtre est correctement installé. Si elle n'est pas correctement installée, le distributeur d'eau peut ne pas fonctionner.</p>
	<p>• La conduite d'eau est-elle connectée et la vanne d'eau est-elle ouverte? • Avez-vous manuellement arrêté la fonction de fabrication de glace? Assurez-vous de ne pas avoir réglé le mode « ice off ». • Y a-t-il une glace bloquée dans le seau à glaçons ou la goulotte à glaçons? • La pression de l'eau est-elle inférieure à 30 psi? Installez une pompe d'appoint pour compenser la faible pression. • La température du congélateur est-elle trop chaude? Essayez de régler la température du congélateur plus bas. • La machine à glaçons ne forme pas des glaçons rapidement. Attendez au moins 90 minutes.</p>

## Réfrigérateur Hisense

<p>● Cliquez lorsque vous puisez de l'eau. ● Bruits de moteur qui tourne lorsque vous retirez des glaçons.</p>	
<p>D'autres bruits inhabituels sont dus aux raisons ci-dessous et peuvent vous obliger à vérifier et à prendre des mesures: Le cabinet n'est pas au niveau. L'arrière de l'appareil touche le mur. Bouteilles ou contenueurs tombent ou roulent.</p>	
<p>Il est normal d'entendre fréquemment le son du moteur, il devra fonctionner davantage dans les circonstances suivantes: ● Le réglage de température est réglé plus bas que nécessaire ● Une grande quantité de nourriture chaude a récemment été stockée dans l'appareil. ● La température à l'extérieur de l'appareil est élevée. ● Les portes sont ouvertes pendant trop longtemps ou très fréquemment. ● Après avoir installé l'appareil ou il a été éteint pendant longtemps.</p>	<p>Le moteur tourne en continu</p>
<p>Vérifiez que les bouches d'aération ne sont pas bloquées par les aliments et que les aliments sont placés dans l'appareil d'une façon à permettre une ventilation suffisante. Assurez-vous que la porte est complètement fermée. Pour retirer le givre, reportez-vous au chapitre « Nettoyage et Entretien ».</p>	<p>Une couche de givre se produit dans le compartiment</p>
<p>Vous avez peut-être laissé les portes ouvertes trop longtemps ou trop souvent; ou les portes sont restées ouvertes par un obstacle; ou l'appareil est situé avec une espace insuffisant sur les côtés, le haut et à l'arrière</p>	<p>La température intérieure est trop chaude</p>
<p>Augmentez la température en suivant le chapitre « Affichage des commandes ».</p>	<p>La température intérieure est trop froide</p>
<p>Vérifiez si le haut du réfrigérateur est incliné vers l'arrière de 10-15 mm pour permettre aux portes de se refermer, ou si quelque chose à l'intérieur empêche les portes de se fermer.</p>	<p>Les portes ne peuvent être fermées facilement</p>
<p>● La lampe LED peut être endommagée. Référez-vous au remplacement des lampes LED dans le chapitre « Nettoyage et entretien ». ● Le système de commande a désactivé les lampes du fait que la porte est restée ouverte pendant trop longtemps. Fermez et ouvrez à nouveau la porte pour réactiver les lampes.</p>	<p>La lampe ne fonctionne pas.</p>
<p>● Avez-vous attendu 12 heures après l'installation de la ligne d'alimentation en eau avant de faire de la glace? Si elle n'est pas suffisamment froide, il peut prendre plus de temps pour faire de la glace, par exemple lors de la première installation.</p>	<p>La glace n'est pas distribuée</p>

## Réfrigérateur Hisense

Cause probable & Solution	Problème
<p>Vérifiez si le cordon d'alimentation est correctement branché dans la prise électrique.</p> <p>Vérifiez le fusible ou le circuit de votre alimentation, remplacez si nécessaire</p> <p>La température ambiante est trop basse. Essayez de régler la température de la chambre à un niveau plus froid pour résoudre ce problème.</p> <p>Il est normal que le congélateur ne fonctionne pas pendant le cycle de dégivrage, ou pendant peu de temps après l'allumage de l'appareil pour protéger le compresseur.</p>	<p>L'appareil ne fonctionne pas correctement</p>
<p>L'intérieur peut avoir besoin d'être nettoyé</p>	<p>Odeurs des compartiments</p>
<p>Les sons ci-dessous sont tout à fait normaux:</p> <ul style="list-style-type: none"> <li>• Bruits de fonctionnement du compresseur.</li> <li>• Bruit de mouvement de l'air du petit moteur du ventilateur dans le compartiment congélateur ou dans d'autres compartiments.</li> <li>• Son de gargouille semblable à l'ébullition de l'eau.</li> <li>• Bruit d'éclatement pendant le dégivrage automatique.</li> <li>• Cliquetis avant le démarrage du compresseur.</li> </ul>	<p>Bruit de l'appareil</p>

Si vous rencontrez un problème avec votre appareil ou craignez que l'appareil ne fonctionne pas correctement, vous pouvez effectuer des contrôles simples avant d'appeler le service client, voir ci-dessous.

**Attention !** N'essayez pas de réparer l'appareil vous-même. Si le problème persiste après que vous ayez effectué les contrôles mentionnés ci-dessous, contactez un électricien qualifié, un technicien agréé ou le magasin où vous avez acheté le produit.

**Attention !** Une déclaration d'avertissement de piégeage des enfants est incluse dans les instructions d'utilisation ou dans un manuel d'utilisation et d'entretien fourni avec chaque réfrigérateur. Il contient l'information suivante:

**DANGER:** Risque de piège des enfants. Avant de jeter votre vieux réfrigérateur ou congélateur.

- Enlevez les portes
- Laissez les étagères en place pour que les enfants ne puissent pas facilement grimper à l'intérieur.

## Dépannage

4. Rassurez-vous que toutes les portes à l'air de circuler sont ouvertes légèrement pour permettre

référer au chapitre « Installer votre nouvel appareil ».

- Si le diagramme affiche une combinaison appropriée pour les tiroirs, le bac et les étagères, n'ajustez pas la combinaison car elle est ainsi fixée comme étant la configuration d'énergie la plus efficace.

### Astuces pour une réfrigération fraîche de la nourriture

- Ne mettez pas directement de la nourriture chaude dans le réfrigérateur ou le congélateur, la température interne augmentera. Le compresseur travaillera donc beaucoup plus et consommera plus d'énergie.
- Couvrez ou emballez les aliments surtout si elles ont une forte odeur.
- Placez la nourriture correctement pour que l'air circule librement autour.

### Astuces pour la réfrigération

- Pour la viande: (Tous types) enveloppez-la dans un plastique et placez-la sur l'étagère en verre au-dessus du tiroir pour légumes. Suivez toujours les durées de stockage et d'utilisation des repas suggérées par les producteurs.
- Aliments préparés, plats froids, etc.: ils doivent être couverts et placés sur n'importe quelle étagère.
- Fruit et légumes: ils doivent être conservés dans le tiroir spécialement fourni.
- Beurre et fromage: ils doivent être enveloppés dans un film étanche à l'air ou un film en plastique.
- Bouteilles de lait: ils doivent avoir un couvercle et être stockés dans la grille de la porte.

### Astuces de congélation

- Au moment du premier démarrage ou après une longue période sans utilisation, laissez l'appareil fonctionner pendant au moins 2 heures au plus haut réglage avant l'intérieur.

de mettre la nourriture dans ce compartiment.

- Préparez les aliments en petites portions afin qu'ils peuvent être rapidement et complètement gelé et de permettre de dégeler ultérieurement uniquement la quantité requise.
- Emballez les aliments dans du papier d'aluminium ou des emballages alimentaires en polyéthylène qui sont étanches à l'air.
- Ne laissez pas les aliments frais non congelés toucher les aliments qui sont déjà gelés pour éviter l'élévation de température de ce dernier.
- Les produits glacés (glaçons, sucettes) si consommés immédiatement après le retrait du compartiment congélateur provoqueront probablement des brûlures de glace sur la peau.
- Il est recommandé d'étiqueter et de cocher chaque colis congelé afin de suivre l'heure de stockage.

### Conseils pour le stockage des aliments surgelés

- Assurez-vous que les aliments surgelés ont été stockés correctement par le détaillant alimentaire.
- Une fois les aliments dégivrés, elles se détérioreront rapidement et ne doivent pas être congelés à nouveau. Ne pas dépasser la durée de stockage indiquée par le fabricant de l'aliment.

### Éteindre votre appareil

Si l'appareil doit être éteint pendant une période prolongée, les étapes suivantes doivent être prises pour empêcher la formation de la moisissure sur l'appareil.

1. Enlevez tout aliment
2. Retirez la fiche d'alimentation de la prise d'alimentation.
3. Nettoyer et sécher complètement l'intérieur.



toute source de chaleur (rayons de soleil direct, four électrique ou cuisinier, etc) ● Ne réglez pas la température plus basse que nécessaire. ● Ne stockez pas de la nourriture chaude ou un liquide qui s'évapore dans l'appareil. ● Placez l'appareil dans une salle bien ventilée sans humidité. Veuillez-vous

couvrir de la lampe. 4. Remplacez la lampe LED et fixez-la correctement en place puis replacez le pressant contre le verrou du connecteur. 3. Tenez la lampe d'une main puis retirez-la à l'aide de l'autre main en la soulevant et en retirant la lampe LED.

1. Débranchez l'appareil. 2. Enlevez le couvercle de la lampe en soulevant et en retirant la lampe LED. 3. Tenez la lampe d'une main puis retirez-la à l'aide de l'autre main en la pressant contre le verrou du connecteur. 4. Remplacez la lampe LED et fixez-la correctement en place puis replacez le couvercle de la lampe.

Remplacer la lampe LED Attention: La lampe LED doit être remplacée par une personne compétente. Si la lampe LED est endommagée, suivez les étapes ci-dessous:

**Mise en garde!** L'appareil ne doit être rallumé qu'après que les joints ne soient complètement secs. **Nettoyage des joints de porte** Assurez-vous de maintenir les joints de porte propres. Les nourritures et boissons collantes peuvent coincer les joints au cabinet et les déchirer lorsque vous ouvrez la porte. Lavez les joints avec détergent doux et de l'eau chaude. Rincez et séchez-les correctement après le nettoyage.

**Nettoyage de l'intérieur** Vous devez régulièrement nettoyer l'intérieur de l'appareil. Il serait plus facile de le nettoyer lorsque la quantité de nourriture à l'intérieur est petite. Essuyer l'intérieur du congélateur avec une faible solution de bicarbonate de soude et de l'eau, puis rincez avec de l'eau chaude en utilisant une éponge ou un chiffon torréfié. Nettoyer complètement à sec avant de remplacer les étagères et les paniers. Séchez minutieusement toutes les surfaces et les parties amovibles avant de les remettre en place.

Nettoyage de l'intérieur

Assurez-vous que l'appareil est loin de l'énergie. ● Évitez de laisser la porte ouverte pendant longtemps afin de conserver de l'énergie. Nous recommandons que vous suiviez les astuces ci-dessous pour économiser l'énergie.

## Conseils et astuces utiles

nettoyez votre congélateur tel que décrit 2. Lorsque le dégivrage est terminé, chambre pour accélérer le processus. portes ouvertes. Ventilez correctement la source d'énergie principale et laissez les accessoires, débranchez l'appareil de la 1. Sortez la nourriture et les paniers est Presque vide et procédez comme suit: choisissez un moment où le congélateur trop longtemps. Si la givre est trop épais, fréquemment ouvertes ou restent ouvertes les portes du congélateur sont intérieur du congélateur, sur les murs si peut apparaître dans le compartiment automatiquement, un couche de givre Bien que cet appareil décongèle les remettre en place.

les remettre en place. Bien que cet appareil décongèle automatiquement, un couche de givre peut apparaître dans le compartiment intérieur du congélateur, sur les murs si les portes du congélateur sont fréquemment ouvertes ou restent ouvertes trop longtemps. Si la givre est trop épais, choisissez un moment où le congélateur est Presque vide et procédez comme suit: 1. Sortez la nourriture et les paniers accessoires, débranchez l'appareil de la source d'énergie principale et laissez les portes ouvertes. Ventilez correctement la chambre pour accélérer le processus. 2. Lorsque le dégivrage est terminé, nettoyez votre congélateur tel que décrit

Nettoyage de l'intérieur

solvant organique comme le Benzène pour le nettoyage. Ils pourraient endommager la surface de l'appareil et cause une incendie.

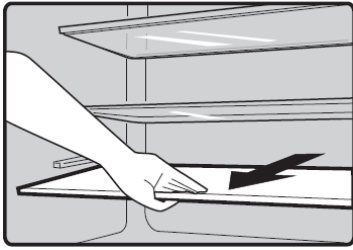
## Utilisation de l'appareil

automatiquement réglée à 15°C pour minimiser la consommation d'énergie. **Important!** Ne stockez aucun aliment dans le réfrigérateur pendant ce temps. Lorsque la fonction vacances est activée,

vous pouvez la désactivée en appuyant sur la partie centrale du bouton. La température retournera au réglage précédent.

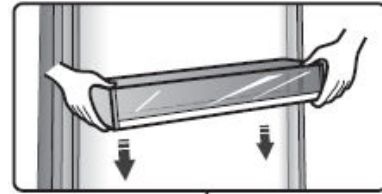
Cette section vous explique comment utiliser la plupart des commandes usuelles. Nous vous recommandons de la lire attentivement avant d'utiliser votre appareil.

retirées pour être nettoyées.



### Utiliser le compartiment de congélation

Le compartiment de congélation est fourni avec un tiroir supérieur et un tiroir inférieur. Pour les enlever tous, référez-vous à la page 8 pour consulter les instructions de désassemblage.



### Etagère dans le compartiment du réfrigérateur

Il y a trois étagères dans le compartiment du réfrigérateur, et elles peuvent être

## Nettoyage et Entretien

Pour des raisons d'hygiène, l'appareil (aussi bien l'extérieur que les accessoires intérieurs) doit être nettoyé régulièrement; au moins tous les deux mois.

### Attention !

Pour éviter les chocs électriques, l'appareil ne doit pas être connecté à la prise principale pendant le nettoyage. Avant le nettoyage, éteignez l'appareil et débranchez-le de la prise principale.

### Nettoyage extérieur

Pour maintenir la belle apparence de votre appareil, vous devez la nettoyer régulièrement. Versez de l'eau sur un chiffon de

### Mise en garde!

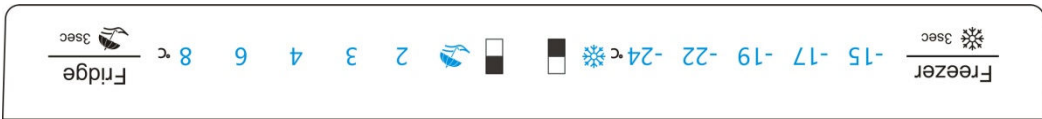
● N'utilisez pas de objets tranchantes pour nettoyer l'appareil puisqu'ils pourraient gratter la surface.  
● N'utilisez pas de diluant, de détergent de voiture, un agent de blanchiment, de l'huile éthérée, nettoyant abrasif, ou du

chiffon doux.  
● Nettoyez les portes, les poignées et les surfaces du cabinet avec un détergent doux et puis essuyez à sec avec un chiffon doux.

Nettoyage plutôt que directement sur la surface de l'appareil. Cela permet de s'assurer d'une réparation uniforme de l'humidité sur la surface.

## Contrôles d'affichage

Utilisez votre appareil selon les régléments de contrôle suivants, votre appareil possède les fonctions correspondantes comme affichées sur les panneaux de contrôle des images ci-dessous.



### Réglage de la température

Nous recommandons que lorsque vous démarrez votre réfrigérateur pour la première fois, la température du réfrigérateur soit réglée à 4°C et le congélateur à -19°C. Si vous souhaitez modifier la température, suivez les instructions ci-dessous.

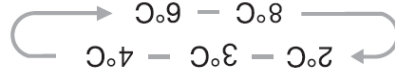
#### Mise en garde!

Quand vous régler une température, vous la régler en moyenne pour l'ensemble du réfrigérateur. Les températures à l'intérieur de chaque compartiment peuvent varier en fonction de celles affichées au tableau, puis de la quantité d'aliments conservés et du lieu où ils sont conservés. Une chambre à haute ou basse température peut aussi affecter la température réelle à l'intérieur de l'appareil.

#### 1. Réfrigérateur



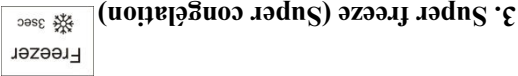
Appuyez sur le milieu du bouton pour régler la température du réfrigérateur entre 2 °C et 8 °C en fonction de vos besoins, et le panneau d'affichage affichera les valeurs correspondantes dans la séquence suivante:



Appuyez sur le milieu du bouton pour régler la température du réfrigérateur entre -15°C et -24 °C en fonction de vos besoins, et le


## Réfrigérateur Hisense

panneau d'affichage affichera les valeurs correspondantes dans la séquence suivante.



#### 3. Super freeze (Super congelation)

Le mode SuperFreeze permet de faire baisser la température du congélateur, pour que les aliments soient congelés plus vite. Cela peut retenir plus de vitamines et les nutriments des aliments frais et les conservera plus frais, plus longtemps.


• Appuyez sur la partie centrale du bouton pendant 3 secondes pour activer la fonction SuperFreeze. L'indicateur lumineux  s'allumera.

• La fonction Super Freeze se désactive automatiquement après 52 heures.

• Lorsque la fonction de SuperFreeze est activée, vous pouvez désactiver cette fonction en appuyant sur la partie centrale du bouton et le réglage de la température du congélateur revient au réglage précédent.



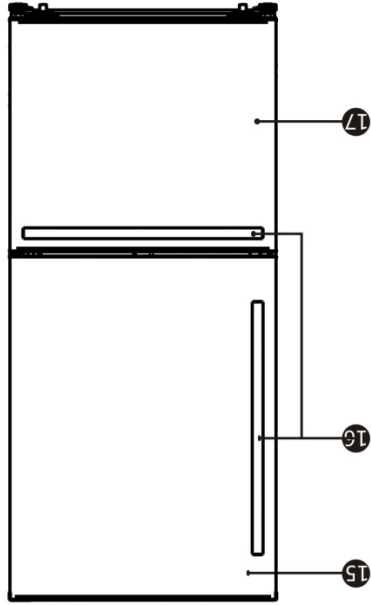
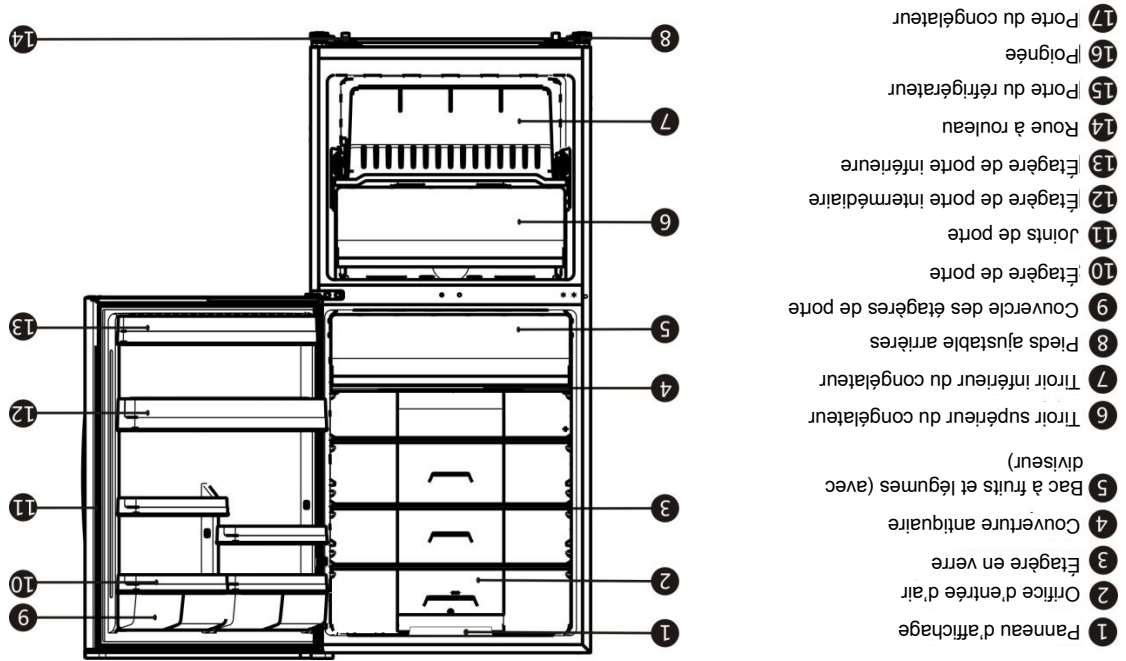
#### 4. Holiday (Vacances)

Si vous devez vous absenter pendant une longue période, vous pouvez activer cette fonction en appuyant sur la partie centrale du bouton pendant 3 secondes jusqu'à ce que l'indicateur lumineux  s'allume.

• Lorsque la fonction Holiday (vacances) est activée, la température du réfrigérateur est

# Réfrigérateur Hisense

## Description de l'appareil



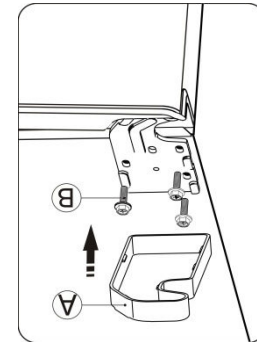
### Remarque !

- En raison des modifications incessante de nos produits, votre réfrigérateur peut légèrement être différent mais les fonctions et méthodes d'utilisation restent les même.
- Pour obtenir un meilleur rendement énergétique de ce produit, veuillez placer toute les étagères, tiroirs et paniers à leur position initial comme indiqué sur l'illustration ci – dessous.

**Démontage de la porte du congélateur**

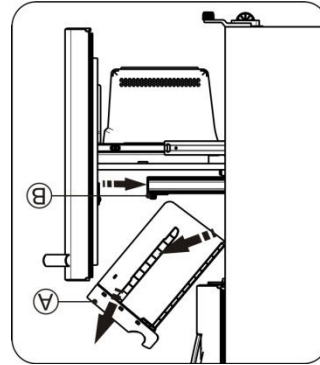
Dans le cas où votre porte d'entrée est trop étroite, pour que le réfrigérateur y passe, enlevez la porte du réfrigérateur et les tiroirs comme indiqués ci-dessous.

1. Retirez la porte du congélateur et le tiroir supérieur du congélateur à la position finale.



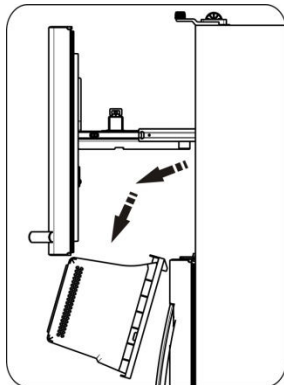
2. Retirez le tiroir supérieur du congélateur

(A) en le soulevant du système de rail (B) en place. Puis, repoussez le système de rails (B) en

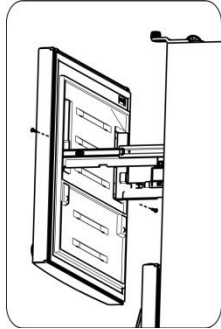


4. Enlevez le tiroir inférieur du congélateur en le soulevant.

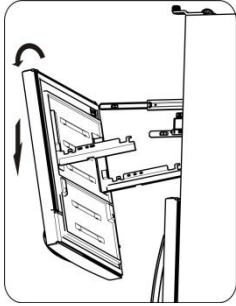
5. Enlevez le 2 vis attachées au cadre de support.



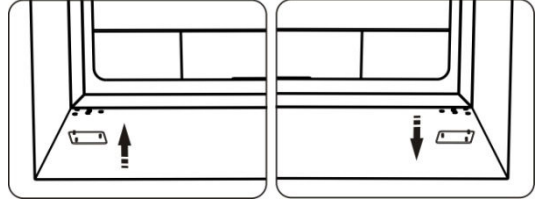
6. Retirez la porte du congélateur en la soulevant dans la direction de la flèche.



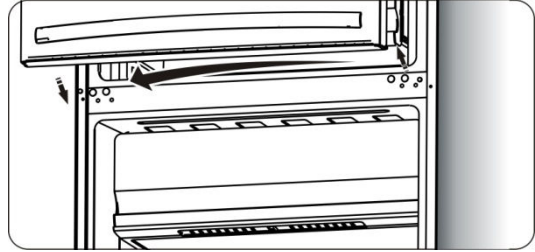
**Ré-assembler la porte du congélateur**  
 Pour rattacher le tiroir après avoir déplacé l'appareil à sa place finale, assemblez les pièces dans l'ordre inverse.



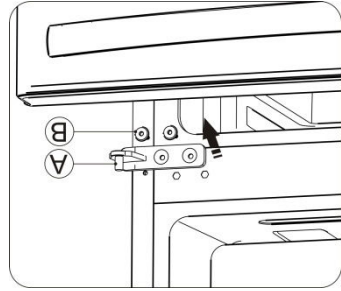
9. Retirez la charnière intermédiaire gauche (A) dans le sac en plastique fourni. Puis vissez avec 2 vis (B) du côté droit.



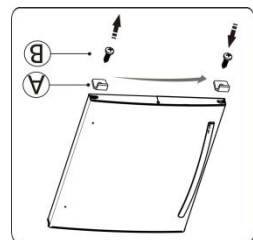
8. Retirez le couvercle du trou de vis (à gauche) du côté supérieur gauche de l'appareil et installez-le sur le côté supérieur droit du réfrigérateur.



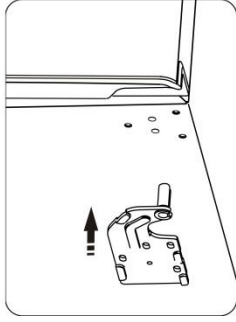
7. Changez les capuchons et les des trous de vis sur la plaque centrale de gauche à droite.



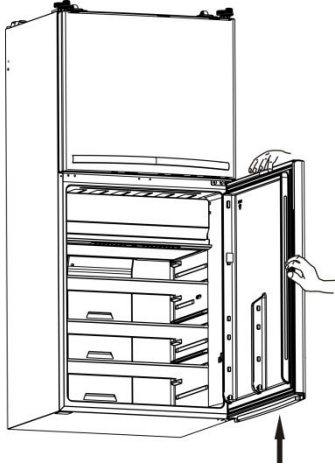
6. Ouvrez la porte du congélateur, puis desserrez les 2 vis (B) avec une clé Allen et retirez la charnière intermédiaire (A) de 4 mm (fournie dans le sac en plastique) et retirez le couvercle de la charnière intermédiaire (A) pour référence ultérieure.



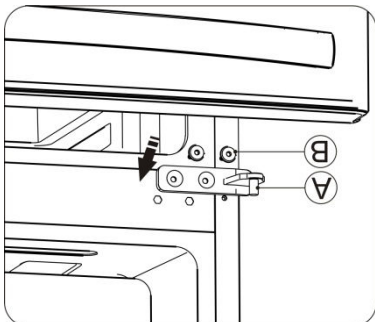
12. Retirez le couvercle de la charnière supérieure (A) du sac en plastique fourni, installez-les à l'étape 2.



11. Retirez la charnière supérieure gauche du sac en plastique fourni. Ensuite, mettez-le sur le côté supérieur gauche, référez-vous à l'étape 3.

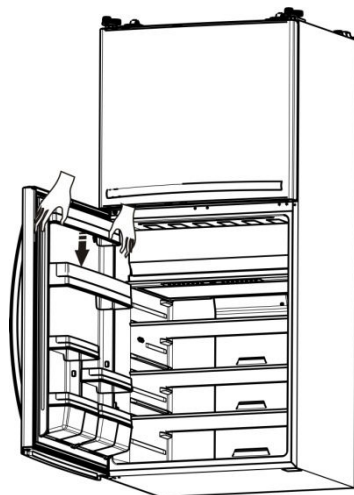


10. Fermez la porte du congélateur. Reportez-vous à l'étape 4, remplacez la porte du réfrigérateur de l'autre côté, puis fermez la porte du réfrigérateur et placez-la dans une position appropriée.




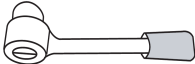
# Réfrigérateur Hisense

2. Une fois la porte fermée, retirez le couvercle de la charnière supérieure (A) (vous pouvez le retirer à l'aide du tournevis à fente) sur le côté supérieur



1. Tenez le réfrigérateur en position verticale. Ouvrez la porte supérieure pour éviter que les étagères ne soient endommagées), puis fermez la porte.

étapes suivantes sont généralement recommandées. réfrigérateur. Pour inverser la porte, les endommager le panneau à l'arrière du des matériaux similaires pour ne pas devez le reposer sur un matériel souple ou Au besoin, placez le réfrigérateur sur son dos pour avoir accès à sa base, vous Remarque:

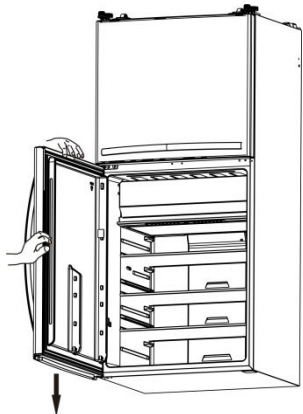
Tournevis cruciforme et tournevis à fente philips	Wrench(8mm)
	

(Non fournis):

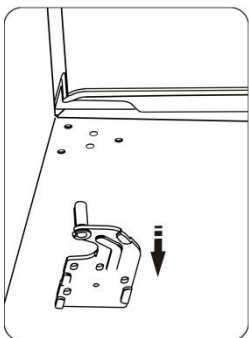
**Les outils dont vous auriez besoin**  
est retirée de la prise d'alimentation.  
sous tension. Assurez-vous que la fiche la porte s'ouvre, l'appareil ne doit pas être Attention! Lors du changement du côté où changement:

placement de l'appareil nécessite ce fourni) au côté gauche, si jamais le

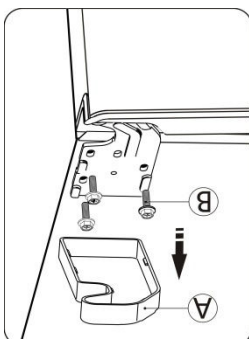
5. Desserrez la vis (B) sur le bas de la porte du réfrigérateur et retirez le bloc d'arrêt (A), puis installez le bloc d'arrêt (A) sur le côté gauche à l'aide de la vis (B).



4. Utilisez vos deux mains pour ouvrir la porte à plus de 90°. Soulevez et retirez-le.



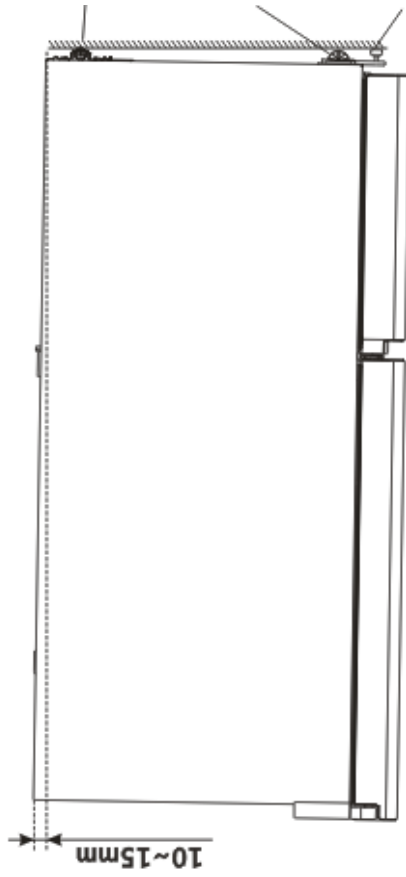
3. Retirez la charnière supérieure (S'il vous plaît, supportez la porte supérieure à la main lors de l'installation) Gardez-le pour référence ultérieure.



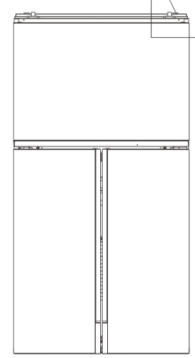
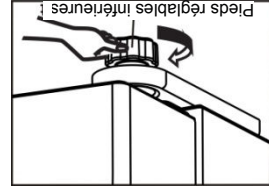
droit de l'appareil et retirez les 3 vis spéciales de la bride (B) avec une clé spéciale. Gardez le couvercle de la charnière supérieure pour référence ultérieure.



automatiquement, incliner le dessus en arrière de 10-15mm.



Pieds réglables Roulette avant Roulette arrière intérieure

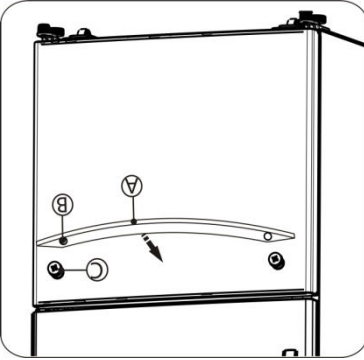
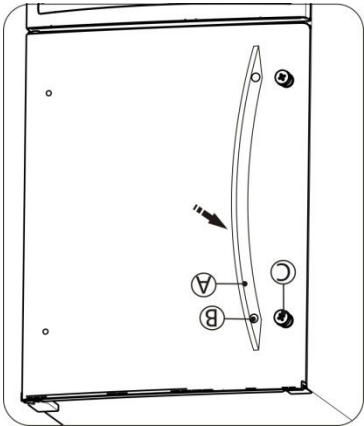


Pieds réglables inférieurs

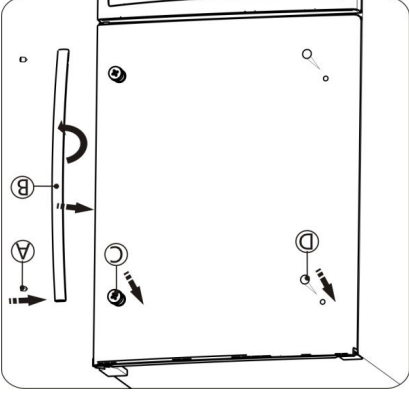
## Installation des poignées de porte

Avant d'utiliser l'appareil, vous devez installer les poignées fournies dans le compartiment du réfrigérateur. Le plus long est la poignée de la porte du réfrigérateur, le plus court est la poignée de la porte du congélateur. Veuillez suivre les procédures ci-dessous pour installer et inverser la poignée.

- Placez la poignée (A) sur la porte en ajustant les empreintes de la poignée sur les supports de la poignée (C), puis serrez les vis (B) avec une clé Allen de 3 mm (fournie dans le sac en plastique).



- Lorsque vous inversez la porte, veuillez déplacer la poignée (A), les vis (B), les supports de la poignée (C) vers la droite. Déplacer le couvercle du trou de vis (D) vers la gauche.



## Inverser la porte du réfrigérateur

La direction dans laquelle la porte s'ouvre peut être changée du côté droit (comme

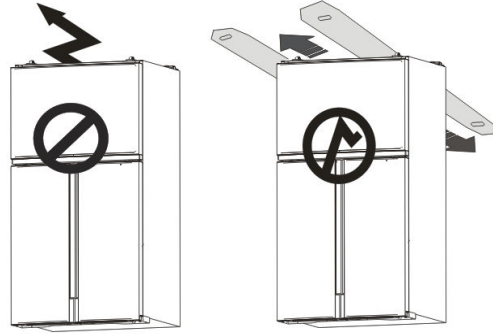
## Installation de votre nouvel appareil

Avant l'utilisation de l'appareil pour la première fois, vous devez être informé des astuces suivantes:

### Attention !

Pour une installation appropriée, ce réfrigérateur doit être placé sur une surface à niveau de matériel solide à la même hauteur que le sol. La dite surface doit être assez solide pour supporter le poids d'un réfrigérateur rempli.

Les roulettes qui ne sont pas couvertes, doivent être uniquement utilisées pour les mouvements en avant ou en arrière. Bouger le réfrigérateur de côté pourrait endommager votre sol ou les roulettes.

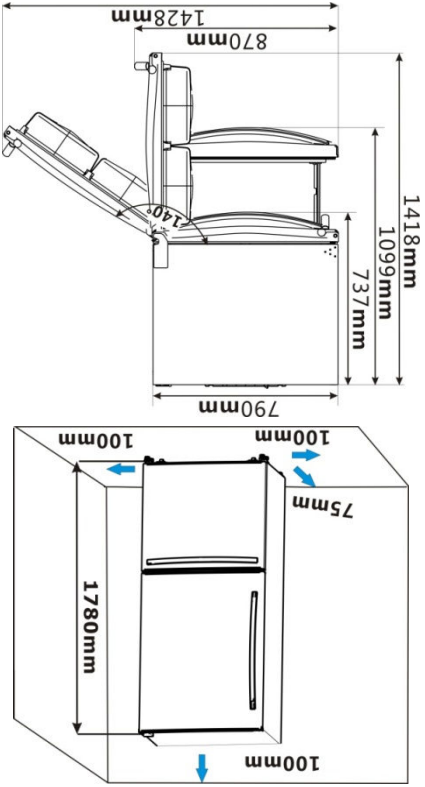


### Ventilation de l'appareil



Afin d'améliorer l'efficacité du système de réfrigération, et sauvegarder l'énergie, il est nécessaire de maintenir une bonne ventilation autour de l'appareil pour la dissipation de la chaleur. Pour cette raison, une espace vide suffisante doit être disponible autour du réfrigérateur.

**Suggestion:** Il est conseillé qu'il y ait au moins 75mm d'espacement entre l'arrière du réfrigérateur et le mur, au moins 100mm vers le haut, au moins 100mm entre ses côtés et le mur, puis de l'espace vide devant pour permettre à la porte de s'ouvrir à 140°. Comme illustré dans les figures suivantes.



### Remarque:

● Cet appareil fonctionne bien dans une zone de température variant de 12,8 °C (55,04 °F) à 43,3 °C (109,94 °F). L'appareil peut ne pas fonctionner normalement s'il est laissé pendant une longue période à une température au-dessus ou en dessous de la fourchette indiquée.

● Placez votre appareil dans un endroit sec pour éviter une grande humidité.

● Maintenez votre appareil à l'abri de la lumière du soleil, de la pluie et de la gelée. Maintenez votre appareil à l'abri des sources de chaleur telle que le four, le feu ou le chauffage.

### Nivellement de l'appareil

● Pour un nivellement suffisant et la circulation de l'air à l'arrière inférieur de l'appareil, les pieds arrière pourraient avoir besoin d'être ajustés. Vous pouvez les ajuster manuellement à la main ou en utilisant une clé appropriée.

● Pour permettre à la porte de se fermer

électricien qualifié ou un centre de service autorisé. Seules des pièces d'origine Hisense devraient être utilisées.

- N'utilisez pas des appareils électriques comme ceux qui font des crèmes glacées à l'intérieur des compartiments d'aliments de l'appareil, sauf s'ils sont approuvés par le fabricant.
- Pour éviter des blessures aux yeux, ne regardez jamais directement dans la lumière LED située dans le compartiment réfrigérateur. Si elle ne fonctionne pas correctement, contactez un électricien qualifié ou remplacez-le comme indiqué dans la section « Nettoyage et entretien ».

### Liquide frigorigène (Réfrigérant)

Le réfrigérant isobutène (R600a) est contenu dans le circuit frigorifique de l'appareil. Pendant le transport et l'installation de l'appareil, veillez à ce qu'aucun des composants du circuit du réfrigérant ne soit abîmés.

Le liquide frigorigène (R600a) est inflammable.

**Mise en garde: Risque d'incendie**

- Ne rangez pas à l'intérieur du réfrigérateur des produits contenant des gaz inflammables (Ex.: aérosols) ou de substances explosives.

### Au cas où le circuit du réfrigérant est endommagé:

- Évitez les flammes ouvertes (bougies, lampes etc.) et les sources d'inflammation.
- Ventilez correctement la salle dans laquelle se trouve l'appareil.

équipées de prises conformément aux spécifications actuelles.

- Si la fiche électrique n'est pas appropriée à votre prise de courant, elle devrait être coupée et soigneusement rangées. Pour éviter d'éventuels chocs, n'insérez pas dans la prise de courant, de mauvaises fiches. En cas de doute, contactez un électricien.
- N'utilisez pas de rallonges, d'adaptateurs non mise à la terre (à deux broches) ou de prises multiples qui pourraient causer une surcharge des circuits de câblage et provoquer un incendie.

Toujours brancher votre appareil dans sa propre prise / rallonge ayant une tension concordant à la tension de la plaque signalétique.

- Rassurez-vous que la fiche n'est pas défectueuse ou endommagée. Sinon, cela pourrait causer des courts-circuits, chocs électriques, sur chauffage ou même le feu.
- Ne pas insérer les fiches principales si la prise est desserrée, il pourrait y avoir un risque de choc électrique ou d'incendie.
- Éteignez et débranchez l'appareil de sa source d'alimentation en électricité avant son nettoyage ou déplacement.
- Ne jamais débrancher l'appareil en tirant le cordon d'alimentation. Toujours saisir fermement et retirer de façon droite le cordon de la prise/rallonge pour éviter d'endommager le cordon d'alimentation.
- Ne pas faire fonctionner l'appareil sans que le couvercle du dispositif d'éclairage à l'intérieur ne soit présent.
- Tous les composants électriques doivent être remplacés ou réparés par un

## Consignes de sécurité importantes

d'éviter tout danger.

### Sécurité générale et utilisation

#### quotidienne.

Il est très important d'utiliser votre appareil avec précaution. Nous recommandons de suivre les directives ci – dessous.



Conserver uniquement les aliments en conformité avec les instructions de stockage du fabricant.

● N'essayez pas de réparer l'appareil vous-même. Il est dangereux de modifier les spécifications ou le produit en question de quelque façon. N'importe quel dommage au cordon d'alimentation peut causer un court – circuit, un incendie ou un choc électrique.

● Ne placez pas beaucoup d'aliments contre la sortie d'air se trouvant dans la paroi arrière du congélateur et du réfrigérateur, cela bloque le passage de l'air.

● Ne placez pas des articles chaud près des composants en plastique de l'appareil. Les aliments congelés ne doivent pas être recongelés une fois qu'ils ont été décongelés.

● Ne conservez pas les boissons en cannettes ou embouteillées (Surtout des boissons gazeuses) dans le congélateur. Les bouteilles et cannettes peuvent exploser.

● Utilisez avec précaution des sucettes glacées ou des glaçons directement du congélateur car cela peut provoquer une brûlure de congélation sur les lèvres et la bouche.

● **Sécurité pour enfants et handicapés.** Conserver tout les emballages hors de la portée des enfants afin d'éviter tout risques d'étouffement.

● Évitez aux enfants d'être brûlés en touchant le compresseur chaud se situant à l'arrière de l'appareil.

● Ne placez pas des articles au dessus de l'appareil, ils pourraient blesser en cas de chute.

● Ne laissez jamais les enfants jouer avec l'appareil en se suspendant ou en se posant sur les portes, les balconnets, les étagères et les tiroirs, etc.

### Sécurité électrique

Pour éviter les risques ayant rapport à l'électricité, nous vous recommandons de lire plus attentivement les instructions ci dessous.



● Déballiez l'appareil puis vérifiez-le correctement. Si un dommage est observé, ne le branchez pas mais contactez immédiatement la boutique ou vous l'avez acheté. Conserver tout les matériaux emballés.

● Nous vous recommandons de patienter 4 heures avant de brancher l'appareil, permettant ainsi au réfrigérant de refluer vers le compresseur.

● Le réfrigérateur doit être alimenté au moyen d'un courant alternatif monophasé de **115V/60HZ**. Si la tension fluctue au-delà de la limite supérieure, un régulateur de tension automatique AC de plus de 350W doit être utilisé avec le réfrigérateur pour garantir une utilisation en toute sécurité.

● La fiche secteur doit être accessible une fois que l'appareil est installé.

● Cet appareil doit être mis à terre. Cet appareil est équipé d'une fiche électrique en conformité avec la norme locale. La fiche doit être adaptée à une utilisation dans toute les maisons

sont supervisés ou instruits sur l'utilisation de l'appareil. Les enfants doivent être surveillés par un adulte qui doit s'assurer qu'ils ne jouent pas avec l'appareil.

● Ne pas conserver des substances explosives comme les boîtes d'aérosols contenant un propulseur inflammable à l'intérieur de l'appareil.

**ATTENTION** - Connecter uniquement à une source d'eau potable.

**ATTENTION** - Ne pas utiliser des dispositifs mécaniques ou autres pour accélérer le processus de dégivrage, autre que ceux recommandés par le fabricant.

**ATTENTION** - Ne pas endommager le circuit du réfrigérant.

**ATTENTION** - Ne pas utiliser des appareils électriques à l'intérieur des compartiments à nourriture de l'appareil sauf s'ils sont recommandés par le fabricant.

**ATTENTION** - Si vous décidez de mettre cet appareil en rebut, contactez le centre de collecte de déchets le plus proche. Ne pas exposer l'appareil à des flammes.

**ATTENTION**-Les instructions contiennent les conseils suivants sur l'utilisation de rallonges ou d'adaptateurs non mis à la terre (à deux broches): N'utilisez pas de rallonges ou d'adaptateurs non mis à la terre (à deux broches).

**ATTENTION** - Si le cordon d'alimentation est endommagé, il doit être remplacé par le fabricant, ou une personne qualifiée afin

Merci d'avoir choisi Hisense. Nous sommes certains que vous serez satisfaite au cours de l'utilisation de votre nouveau réfrigérateur. Avant d'utiliser cet appareil, nous vous recommandons de lire attentivement ces instructions, qui vous fournissent les détails par rapport à son utilisation et ses fonctions.

● Veuillez-vous assurer que tous ceux qui utilisent cet appareil sont familiers à son fonctionnement et aux instructions de sécurité. Il est important que vous l'installiez correctement et que vousfassiez bien attention aux instructions de sécurité.

● Nous vous recommandons de conserver ce manuel avec l'appareil pour des consultations ultérieures.

● Cet appareil est uniquement à usage ménager et autre usages du même type tel que:

**- Coins-cuisine de boutiques, bureaux** et autres environnements de travail;

**- Clients** dans les hôtels, motels et autres types d'habitat;

**- Foyer** de type lit et petit-déjeuner;

**- Restauration** et situations similaires non commerciales.

● Cet appareil n'est pas conçu pour être utilisé par des personnes (y compris les enfants) ayant des capacités physiques, sensorielles ou mentales réduites, ou ne disposant pas d'une expérience et des connaissances adéquates, à moins qu'ils

## Introduction brève

Introduction brève	2
Consignes de sécurité importantes	3
Installation de votre nouvel appareil	5
Description de l'appareil	10
Contrôles d'affichage	11
Utilisation de l'appareil	12
Nettoyage et Entretien	12
Conseils et astuces utiles	13
Dépannage	15
Recyclage de l'appareil	17

Français

Avant d'utiliser cet appareil, veuillez lire ce manuel attentivement et  
conservez-le pour référence futur.

# MANUEL DE L'UTILISATEUR

réinventer votre vie

# Hisense