

---

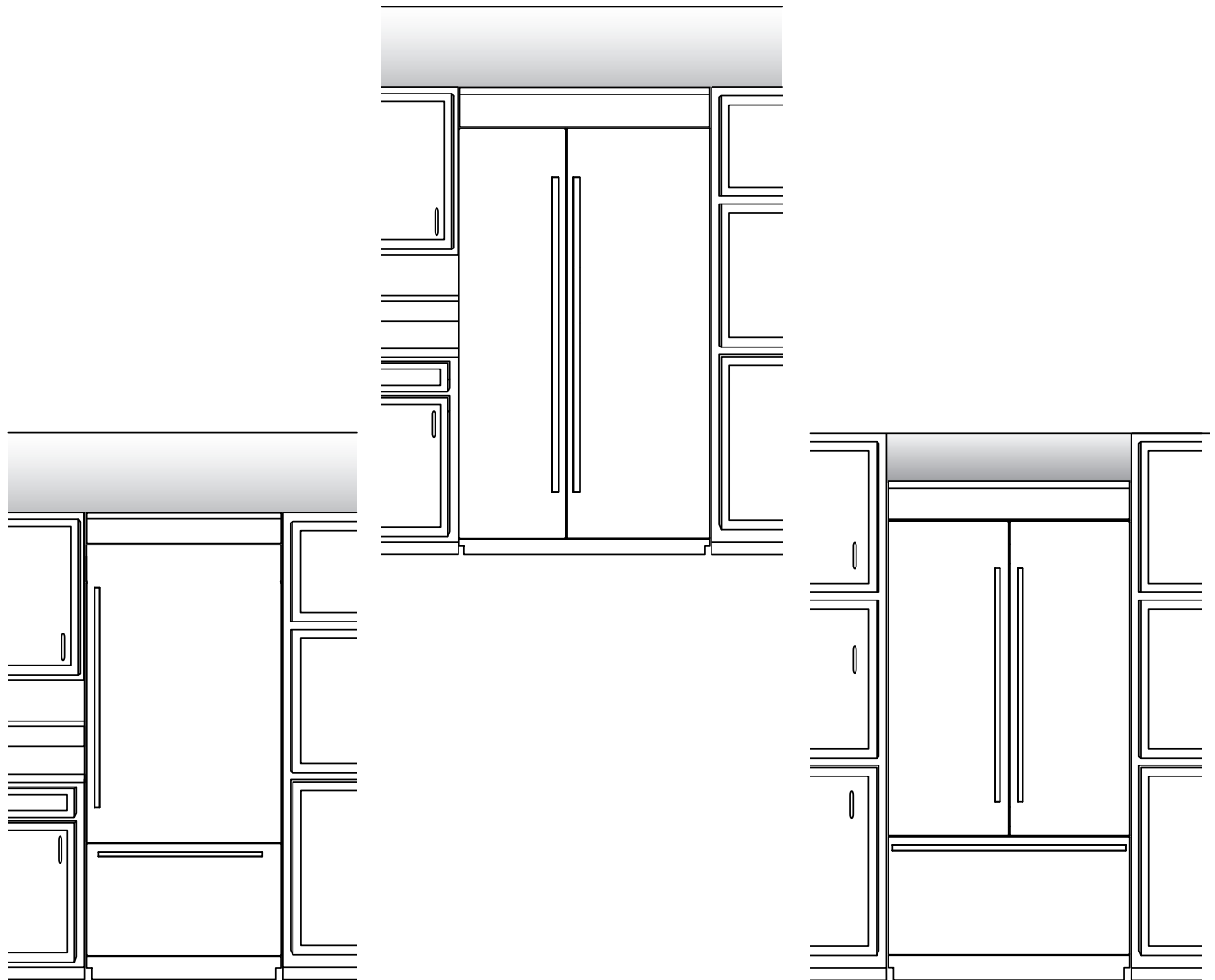
## BUILT-IN REFRIGERATOR DOOR PANEL KIT INSTALLATION INSTRUCTIONS

---

## REFRIGERADOR EMPOTRADO JUEGO DE PANELES INSTRUCCIONES DE INSTALACIÓN

---

## RÉFRIGÉRATEUR ENCASTRÉ ENSEMBLE DE PANNEAUX POUR PORTE INSTRUCTIONS D'INSTALLATION



# TABLE OF CONTENTS

<b>DOOR PANEL KIT SAFETY</b> .....	<b>3</b>	Install Top Grille Panel.....	7
<b>INSTALLATION REQUIREMENTS</b> .....	<b>3</b>	Door Swing Adjustment (optional).....	7
Tools and Parts.....	3	Panel Adjustment.....	7
<b>INSTALLATION INSTRUCTIONS</b> .....	<b>4</b>	Attach Panels.....	8
Install Top Grille Vent Trim.....	4	Complete Installation.....	9
Bottom Mount Models (only).....	5	<b>WARRANTY</b> .....	<b>10</b>
Install Door Panels.....	6		

# ÍNDICE

<b>SEGURIDAD DEL JUEGO DE PANELES PARA PUERTAS</b> .....	<b>12</b>	Instalación del panel para la rejilla superior .....	17
<b>REQUISITOS DE INSTALACIÓN</b> .....	<b>12</b>	Ajuste de la abertura de las puertas (opcional).....	17
Herramientas y piezas.....	12	Ajuste del panel .....	17
<b>INSTRUCCIONES DE INSTALACIÓN</b> .....	<b>13</b>	Coloque los paneles .....	18
Instale la cubierta de la rejilla superior de ventilación. ....	13	Complete la instalación .....	19
Modelos con congelador en la parte inferior (solamente).....	14	<b>GARANTÍA</b> .....	<b>20</b>
Cómo instalar los paneles de la puerta .....	15		

# TABLE DES MATIÈRES

<b>SÉCURITÉ DE L'ENSEMBLE DE PANNEAUX POUR PORTE</b> .....	<b>22</b>	Installation du panneau de la grille supérieure.....	27
<b>EXIGENCES D'INSTALLATION</b> .....	<b>22</b>	Réglage du sens d'ouverture de la porte (facultatif) .....	27
Outillage et pièces.....	22	Réglage des panneaux.....	27
<b>INSTRUCTIONS D'INSTALLATION</b> .....	<b>23</b>	Fixation des panneaux .....	28
Installation de la garniture de la grille supérieure .....	23	Achever l'installation.....	29
Modèles à congélateur en bas (uniquement) .....	24	<b>GARANTIE</b> .....	<b>30</b>
Installation des panneaux de porte.....	25		

# DOOR PANEL KIT SAFETY

## Your safety and the safety of others are very important.

We have provided many important safety messages in this manual and on your appliance. Always read and obey all safety messages.



This is the safety alert symbol.

This symbol alerts you to potential hazards that can kill or hurt you and others.

All safety messages will follow the safety alert symbol and either the word "DANGER" or "WARNING."

These words mean:

**⚠ DANGER**

You can be killed or seriously injured if you don't immediately follow instructions.

**⚠ WARNING**

You can be killed or seriously injured if you don't follow instructions.

All safety messages will tell you what the potential hazard is, tell you how to reduce the chance of injury, and tell you what can happen if the instructions are not followed.

## INSTALLATION REQUIREMENTS

### IMPORTANT:

- These instructions are intended as a general guide only and do not supersede any national or local codes in any way. Compliance with all local, state or national codes pertaining to this type of installation should be determined prior to installation.
- These instructions are intended to supplement the Installation Instructions provided with your refrigerator not replace them. Follow the instructions provided with the refrigerator to install it into the cabinet.
- A hardware bag is shipped with the refrigerator. You will find the hardware bag in either one of the crisper drawers or attached to the outside of one of the refrigerator doors.

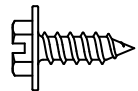
**NOTE:** The hardware bag contains all the parts and fasteners needed to install custom wood panels. Most of these components have been preinstalled on the panels included in this kit.

### Parts Supplied with Panel Kit:

- Exterior door panels with handles and mounting hardware preinstalled.
- Instructions
- Refrigerator access grille with mounting hardware preinstalled
- Access grille vent trim

### Parts Supplied with Refrigerator (Needed to Install Panel Kit):

- Phillips-head flat screw  
White: 8281251  
Black: 8281252
- Slotted hex-head screw  
W10141645



## Tools and Parts

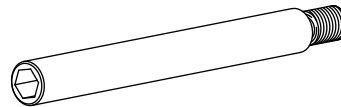
Assemble the required tools and parts before starting installation. Read and follow the instructions provided with any of the required tools listed here. Proper installation is your responsibility.

### Tools Needed:

- Cordless drill
- Drill bits
- 3/8" and 1/2" Open-end wrenches or two adjustable wrenches
- Phillips screwdriver
- Small level
- Appliance dolly
- 3/32", 5/32" and 3/16" Hex key
- 1/4" and 5/16" Socket drivers
- Tape measure
- Utility knife
- Tape (painters)

### Parts Supplied with Refrigerator (Needed only if it is necessary to reduce the door swing to 90°):

- Door Stop Pin  
W10234202

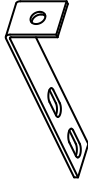


**Parts Supplied with Refrigerator** The following parts are either not needed to install the panels in this kit, or they are already installed on the panels. These parts can be discarded after the installation is completed:

- Panel top bracket  
White: W10192849  
Black: W10667450



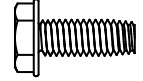
- "L" brackets  
W10234199



- Hex-head pointed screw  
W10141189



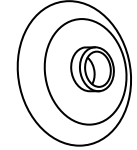
- Hex-head blunt screw  
W10142233



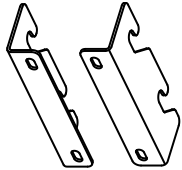
- Round-head screw  
1163283



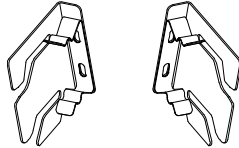
- Shoulder washer  
W10471946



- Standard grille bracket  
W10182743 (left)  
W10172741 (right)



- Integrated grille bracket  
W10260890 (left)  
W10260891 (right)



## INSTALLATION INSTRUCTIONS

### IMPORTANT:

- Jenn-Air is not responsible for the removal or addition of molding or wood overlay panels that would not allow access to the refrigerator for service.
- The following instructions apply to both bottom-mount and side by side refrigerator models. Follow the instructions specific to your model.

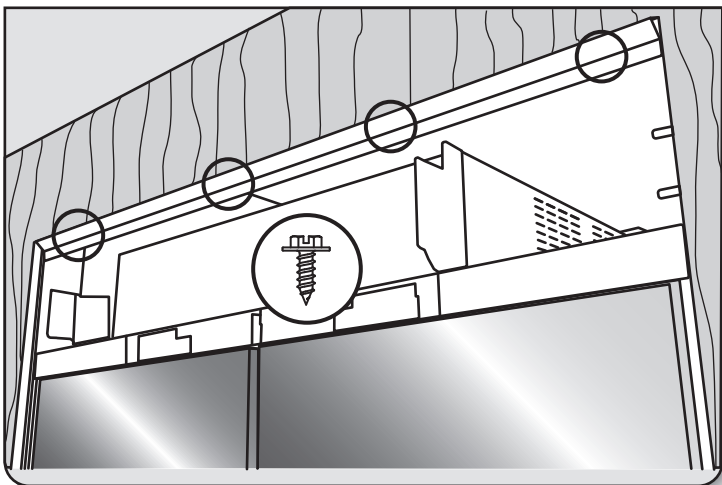
### **⚠ WARNING**

#### **Excessive Weight Hazard**

Use two or more people to move and install panels.  
Failure to do so can result in back or other injury.

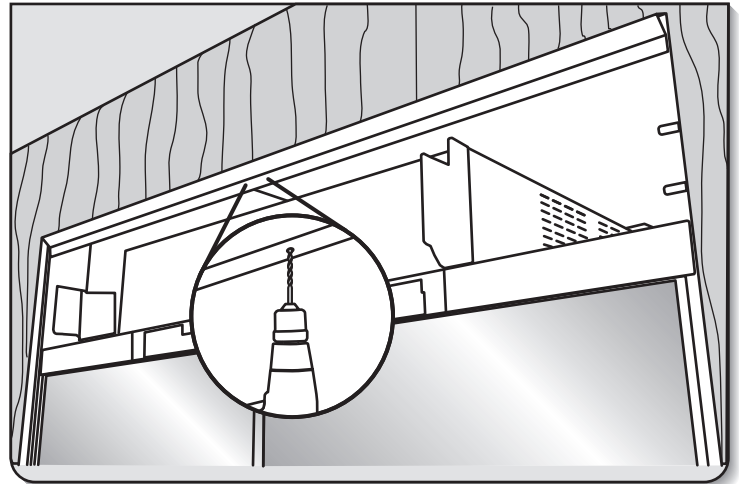
## Install Top Grille Vent Trim

### 1. Mark hole locations.

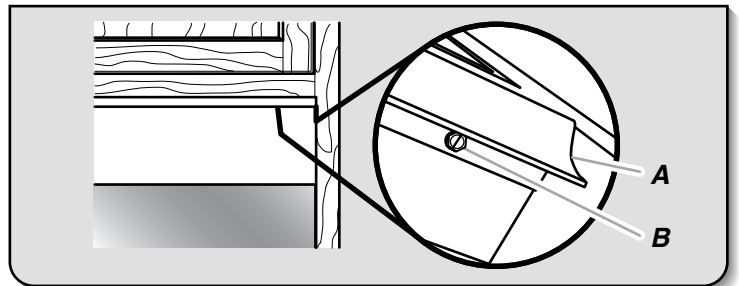


Use the top grille vent trim as a template to mark the location of the mounting holes.

### 2. Drill holes.



### 3. Attach trim.



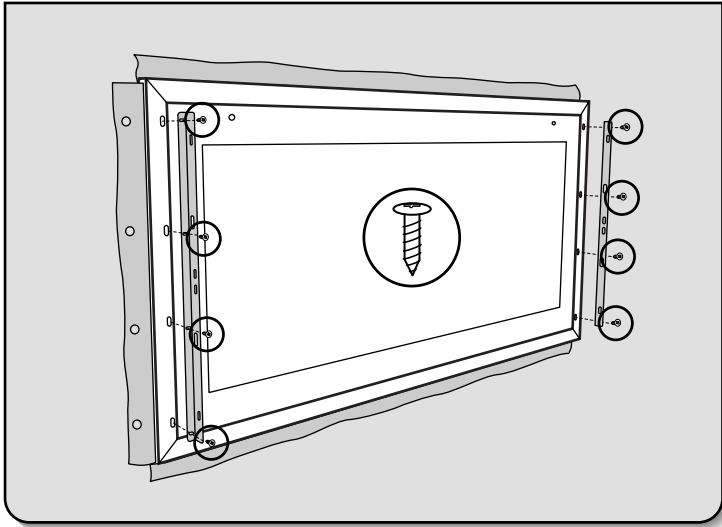
A. Top grille vent  
B. Slotted hex-head screw

Using four slotted hex-head screws, install the top grille vent trim to the cabinet.

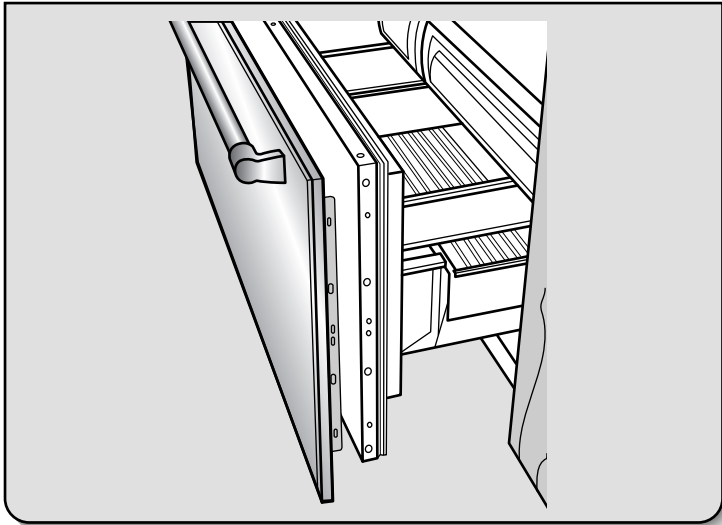
## Bottom Mount Models (only)

**IMPORTANT:** For Side by Side models, skip this section and go to "Install Door Panels."

### 1. Loosen bracket screws.

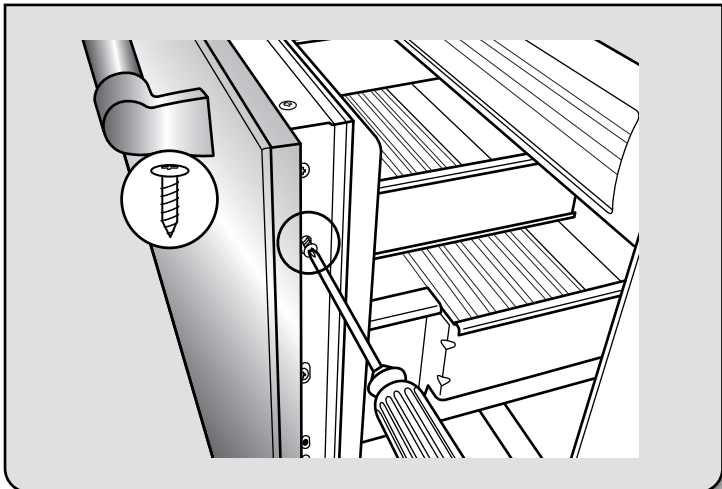


### 2. Slide panel onto drawer.



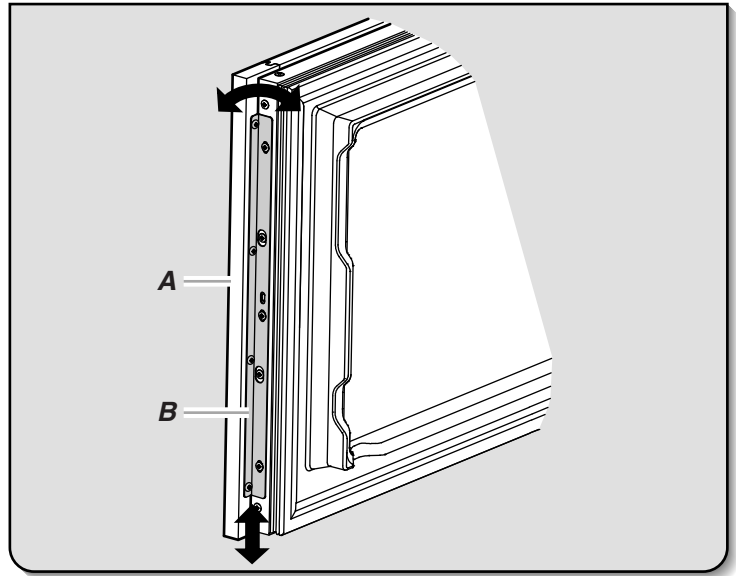
Retighten the four screws on each side attaching the bracket to the drawer panel.

### 3. Install panel to drawer.



Using the Phillips-head, flat screws, fasten the panel brackets to the drawer.

### 4. Align panel.



A. Drawer panel  
B. Drawer panel bracket

To allow for later adjustment of the panel, do not fully tighten the screws attaching the bracket to the drawer.

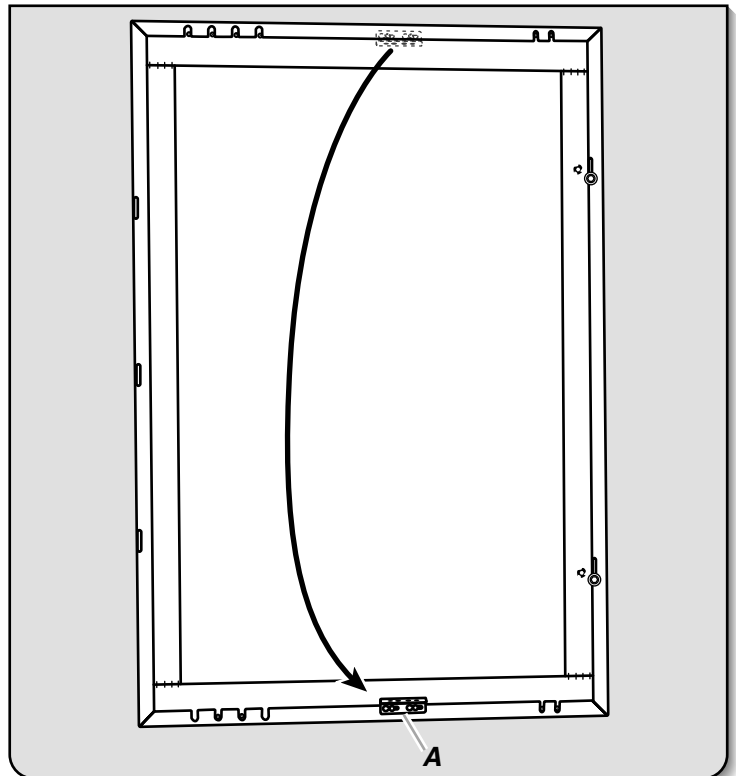
**IMPORTANT:** When you have completed installing all the panels check for alignment. The drawer panel will move up or down to align. Completely tighten the screws.

#### **IMPORTANT: 36" Bottom Mount Model (only)**

The hardware installed on the door panels fits refrigerator doors that have hinges on the right-hand side. If your refrigerator door has the hinges on the left-hand side, you must move the mounting brackets and the shoulder washers.

**To modify the door panel for a left-hand swing door:**

### 1. Move mounting bracket.

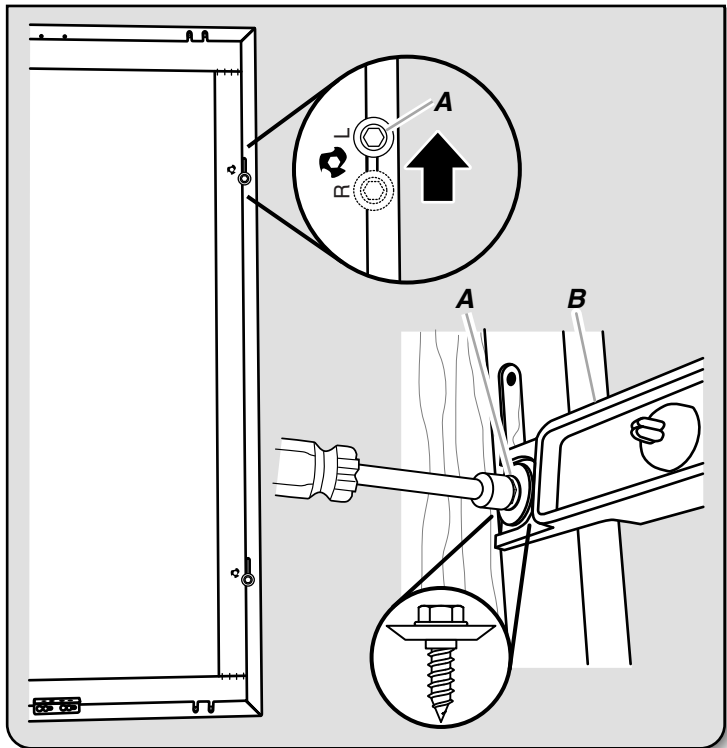


A. Mounting bracket.

Remove the mounting bracket and reinstall it into the predrilled holes on the opposite end of the panel.

**NOTE:** The end with the mounting bracket is now the top of the door panel.

## 2. Move the shoulder washers from R to L.



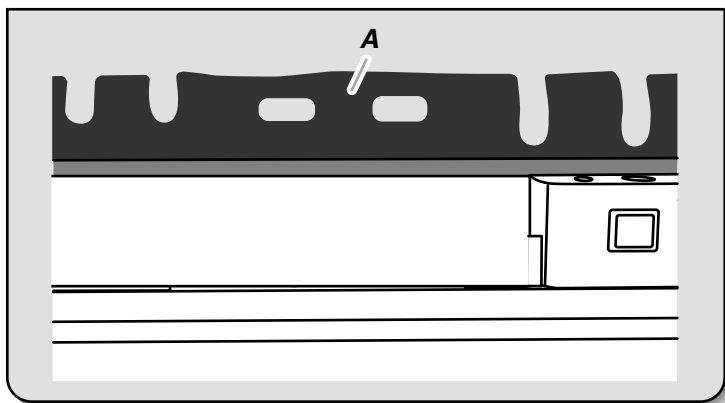
A. Shoulder washer and hex head pointed screw  
B. Installation block

Remove the screws and shoulder washers from the holes marked with an "R." Reinstall the shoulder washers into the predrilled holes marked with an "L."

**IMPORTANT:** Use the installation block as a guide for depth.

## Install Door Panels

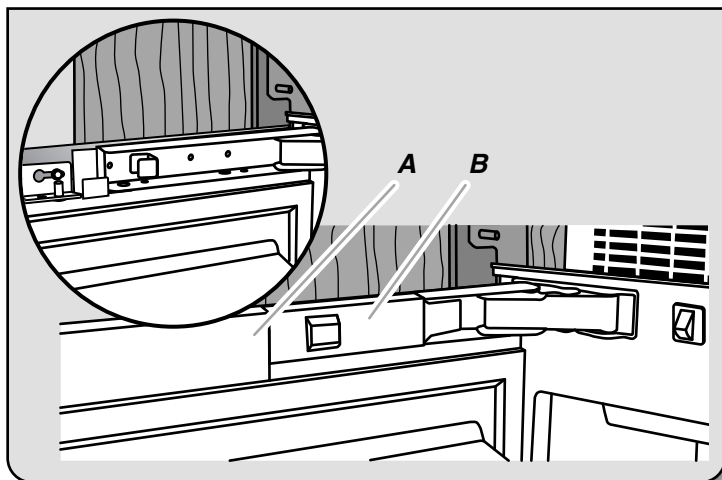
### 1. Expose mounting hardware.



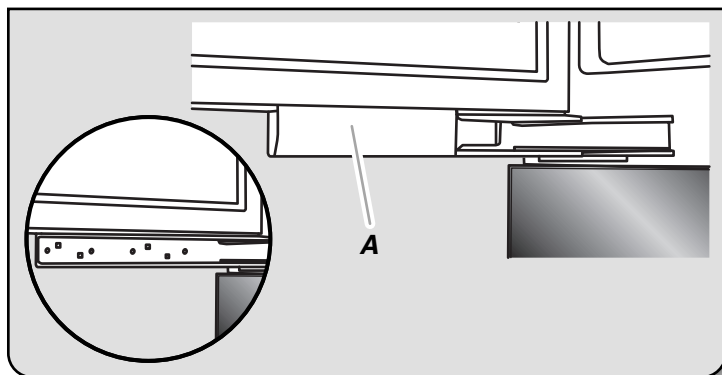
A. Film covering

Peel back the film covering on the door panel so that no film is trapped between the door panel and the door. Do not completely remove the film until the installation is complete.

### 2. Remove door adjustment pin cover and hinge covers.



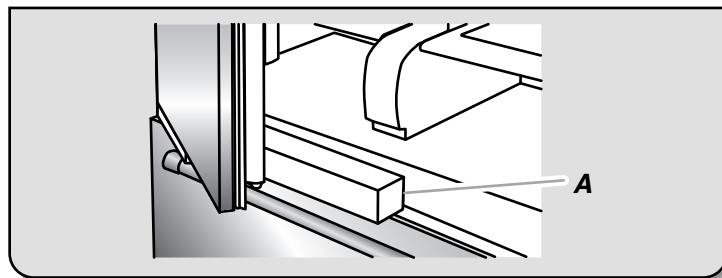
A. Door adjustment pin cover  
B. Top hinge cover



A. Bottom hinge cover

Open the doors and remove the hinge covers and the door adjustment pin cover(s) to expose the mounting holes.

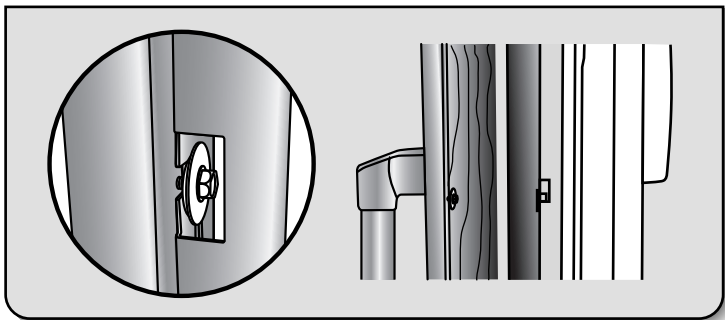
### 3. Prop open door.



A. Foam packaging

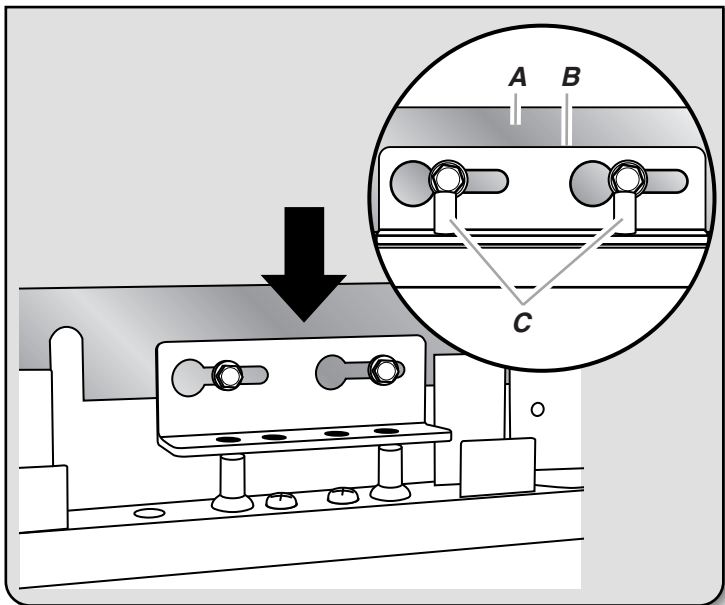
Use foam packaging to prop and hold the door open while installing a door panel.

#### 4. Mount panel to door.



Align the two shoulder washers, on the back of the door panel, with the "J" slots on the side of the refrigerator door.

#### 5. Lower panel onto pins.



A. Door panel  
B. Panel top bracket

C. Adjustment pins

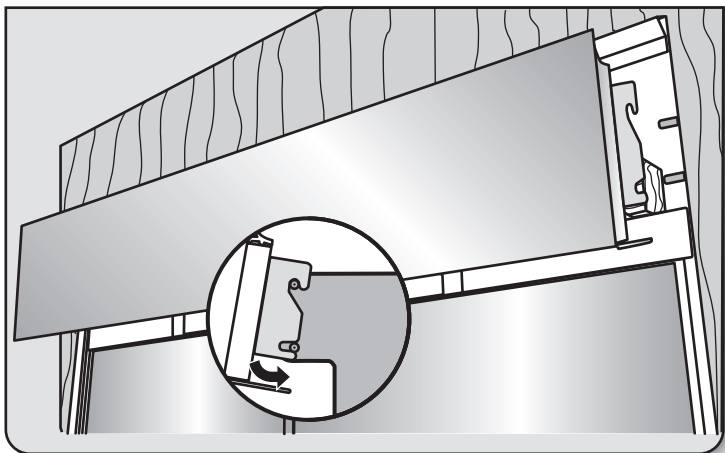
Slide the panel onto the door, and lower the panel bracket down onto the adjustment pins at the top of the door.

#### 6. Repeat.

French door and Side by Side models, repeat steps 2 through 5 to install the second door panel.

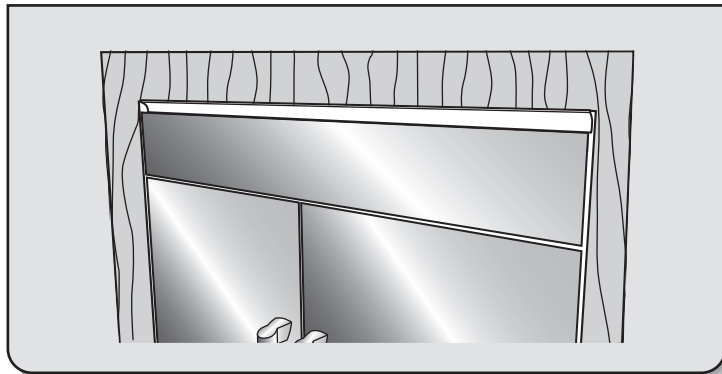
### Install Top Grille Panel

#### 1. Hook panel brackets onto mounting pins.



Holding the panel at an angle, hook the brackets onto the mounting bolts extending from the top of the refrigerator. Then, push the bottom of the grille panel forward until the bracket snaps into place.

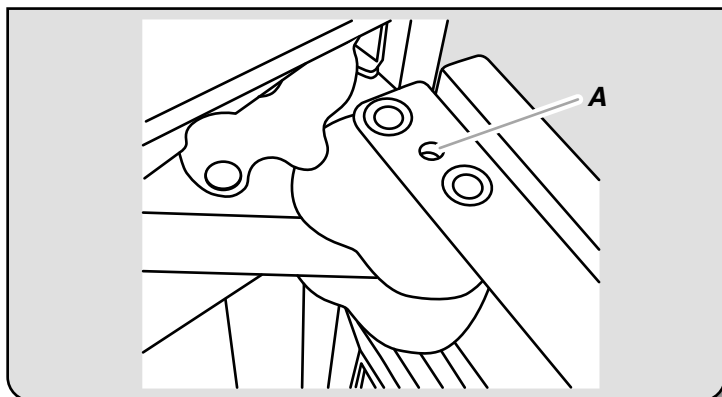
#### 2. Align panel.



Loosen the mounting bracket screws and move the brackets up or down to achieve the proper spacing between the panels.

### Door Swing Adjustment (optional)

#### 1. Open door to less than 90°. Insert door stop pin. (optional)

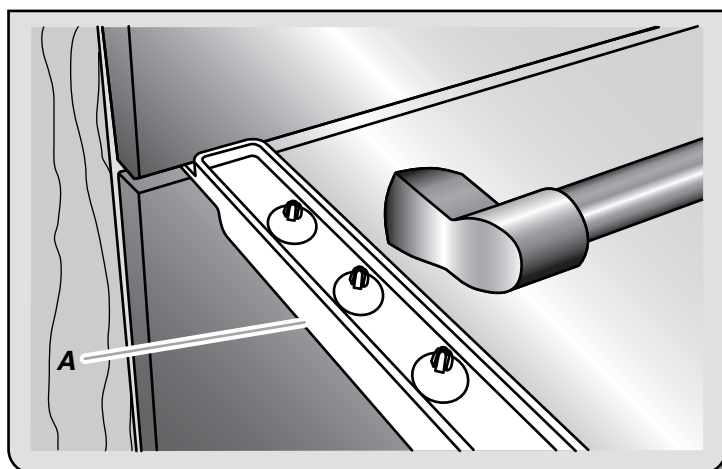


A. Door stop pin hole

If the standard 110° door swing is too wide, install the door stop pin to allow for a maximum 90° door swing. Insert the door stop pin into the top hinge in the hole shown. Use a 5/32" hex key, to tighten door stop pin.

### Panel Adjustment

#### 1. Measure gaps between panels.



A. Installation block

A 1/8" (3.2 mm) space is required between each of the panels. Use the installation block to measure the gaps.

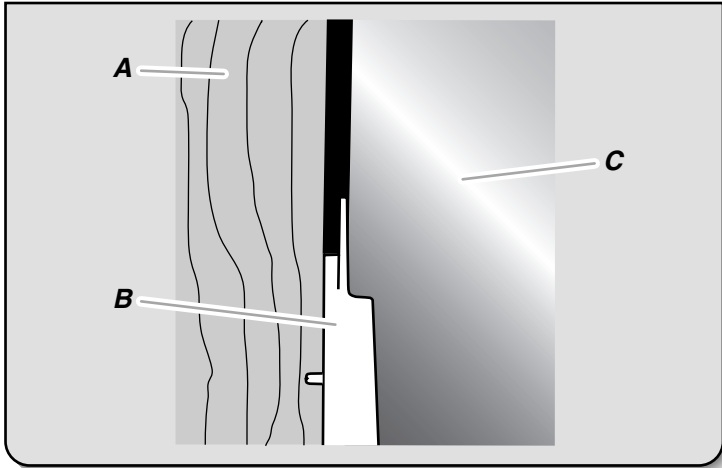
## Attach Panels

### ⚠ CAUTION

#### Pinch Hazard

Installation of door panels with less than a 3/8" (0.95 cm) gap between the door panel and the adjacent cabinet increases the risk of potential pinching.

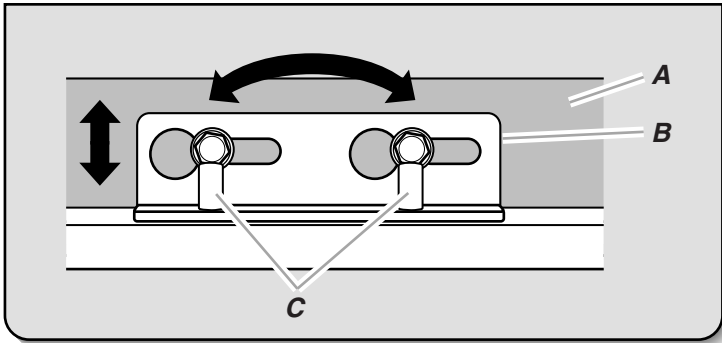
## 2. Measure gaps between panels and cabinetry.



A. Adjacent cabinet  
B. Installation block  
C. Panel on door

A 3/8" (0.95 cm) gap is required between the panel and adjacent cabinets. Use the installation block to measure the gaps.

## 3. Adjust panels.



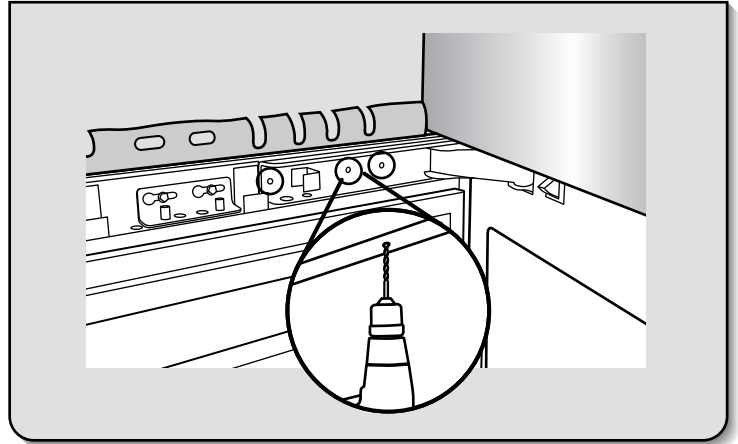
A. Door panel  
B. Panel top bracket  
C. Adjustment pins

Adjust the panel NOT the door, if adjustments are needed to achieve alignment or required spacing.

- Use a 5/32" hex key to raise or lower the adjustment pins which allows the panel to move up or down.
- Loosen the mounting bracket at the top of the door to allow the panel to move to the left or right in the mounting bracket.

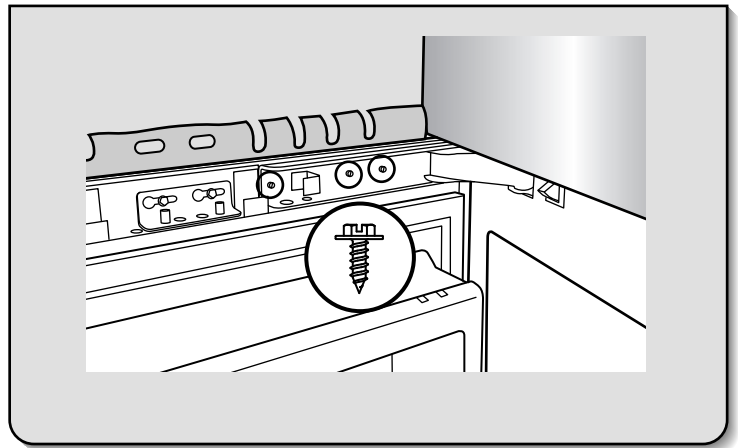
## 4. Tighten all bracket screws.

## 1. Drill pilot holes



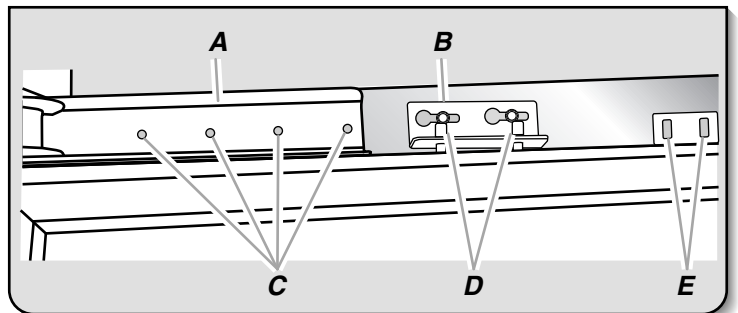
Use a 5/32" drill bit to drill pilot holes into the door panel(s) through the open holes in both the bottom and top hinges.

## 2. Fasten hinges to panels.



Using the slotted hex-head screws, fasten the top and bottom hinges to the door panels. Fully tighten all door panel screws.

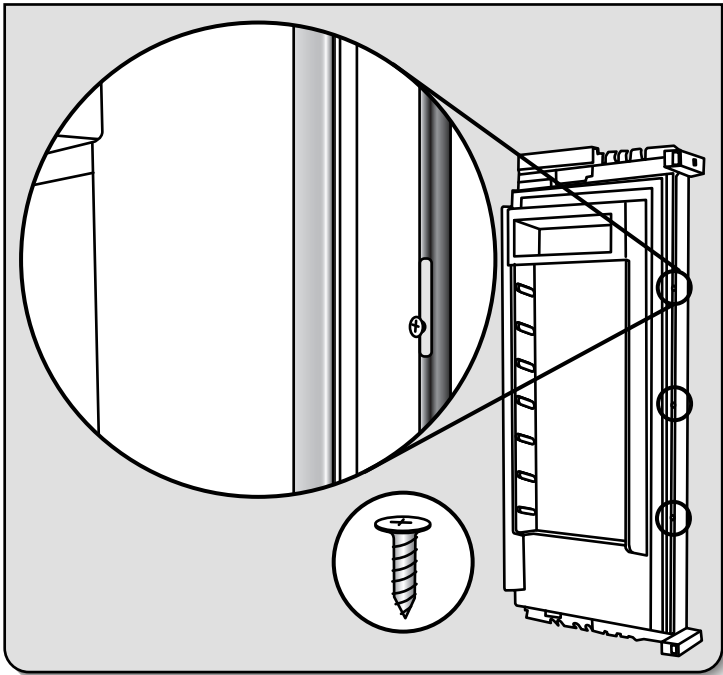
- 36" Bottom Mount models only - Use the hex head screws to fasten the panel to the additional door bracket.



A. Top hinge  
B. Mounting bracket  
C. Holes for screws  
D. Door adjustment pins  
E. Holes for screws (36" models only)

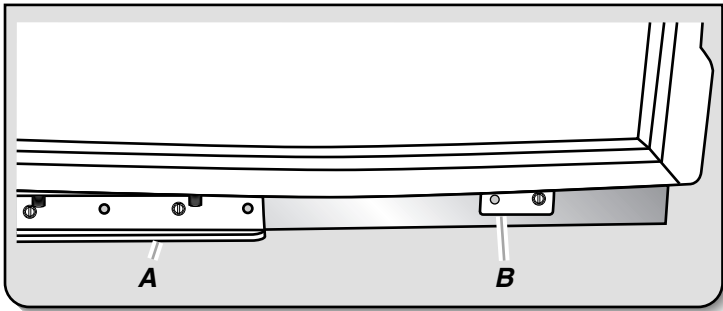


### 3. Install door panel to hinge side.



Predrill holes on the vertical hinge side of the door. Use the Phillips-head screws to fasten the panel to the door.

### 4. Fasten bottom brackets to panels.

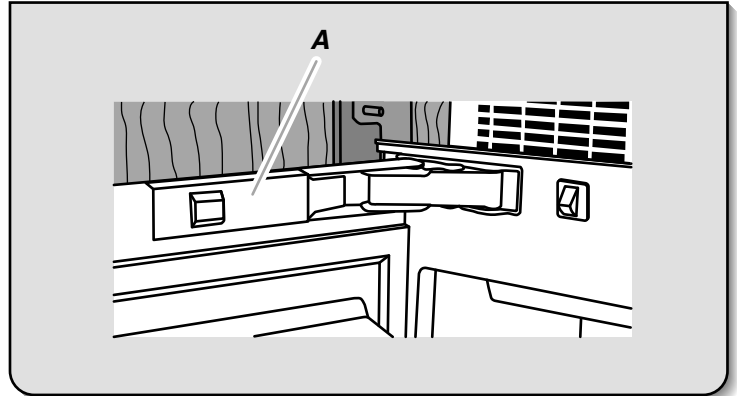


A. Bottom hinge  
B. Mounting bracket

Use slotted hex-head screws to attach the mounting bracket located at the bottom of the doors, to the door panels.

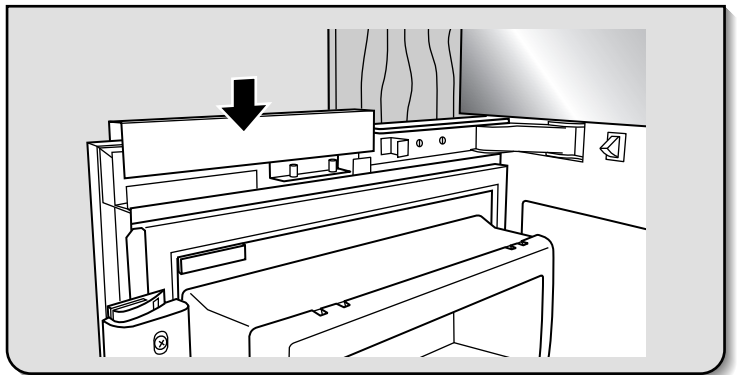
## Complete Installation

### 1. Reinstall hinge covers.



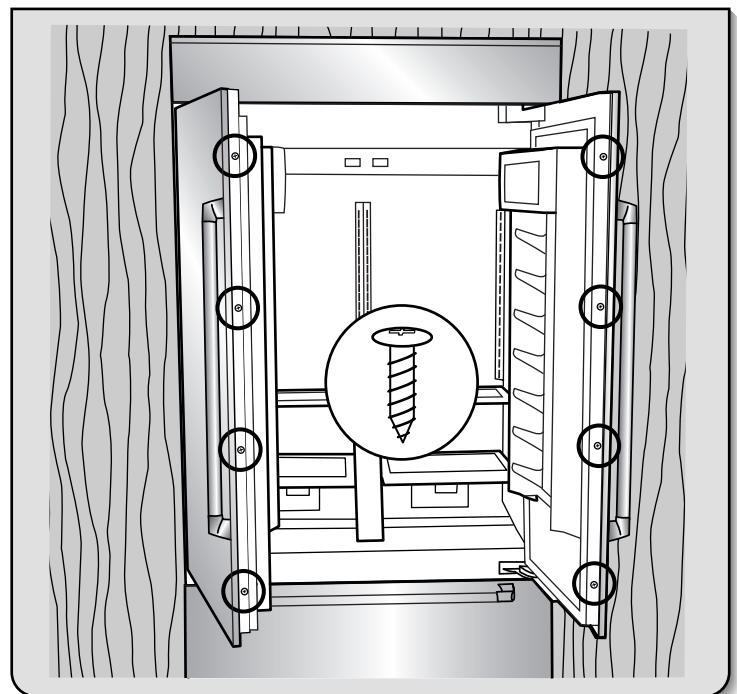
A. Top hinge cover

### 2. Reinstall door adjustment pin cover.



Snap the door adjustment pin cover into place.

### 3. Install handle side trims.



Using the Phillips-head screws, attach the handle side trim pieces (shipped with the refrigerator) to the doors.

# JENN-AIR® REFRIGERATION LIMITED WARRANTY

ATTACH YOUR RECEIPT HERE. PROOF OF PURCHASE IS REQUIRED TO OBTAIN WARRANTY SERVICE.

Please have the following information available when you call the Customer eXperience Center:

- Name, address and telephone number
- Model number and serial number
- A clear, detailed description of the problem
- Proof of purchase including dealer or retailer name and address

## IF YOU NEED SERVICE:

1. Before contacting us to arrange service, please determine whether your product requires repair. Some questions can be addressed without service. Please take a few minutes to review the Troubleshooting or Problem Solver section of the Use and Care Guide, scan the QR code on the right to access additional resources, or visit <https://jennair.custhelp.com>.
2. All warranty service is provided exclusively by our authorized Jenn-Air Service Providers. In the U.S. and Canada, direct all requests for warranty service to:

**Jenn-Air Customer eXperience Center**  
**1-800-JENNAIR (1-800-536-6247)**



<https://jennair.custhelp.com>

If outside the 50 United States or Canada, contact your authorized Jenn-Air dealer to determine whether another warranty applies.

## TWELVE YEAR LIMITED WARRANTY

### WHAT IS COVERED

#### TWO YEAR LIMITED WARRANTY

For two years from the date of purchase, when this major appliance is installed, operated and maintained according to instructions attached to or furnished with the product, Jenn-Air brand of Whirlpool Corporation or Whirlpool Canada LP (hereafter "Jenn-Air") will pay for Factory Specified Replacement Parts and repair labor to correct defects in materials or workmanship that existed when this major appliance was purchased, or at its sole discretion replace the product. In the event of product replacement, your appliance will be warranted for the remaining term of the original unit's warranty period.

#### THIRD THROUGH SIXTH YEAR LIMITED WARRANTY (SEALED REFRIGERATION SYSTEM ONLY)

In the third through sixth year from the date of purchase, when this major appliance is installed, operated and maintained according to instructions attached to or furnished with the product, Jenn-Air brand will pay for factory specified replacement parts and repair labor for the following components to correct non-cosmetic defects in materials or workmanship in the sealed refrigeration system (includes compressor, evaporator, condenser, dryer and connecting tubing) that existed when this major appliance was purchased.

#### SEVENTH THROUGH TWELFTH YEAR LIMITED WARRANTY (SEALED REFRIGERATION SYSTEM ONLY - LABOR NOT INCLUDED)

In the seventh through twelfth year from the date of purchase, when this major appliance is installed, operated and maintained according to instructions attached to or furnished with the product, Jenn-Air brand will pay for factory specified replacement parts for the following components to correct defects in materials or workmanship in the sealed refrigeration system (includes compressor, evaporator, condenser, dryer and connecting tubing) that existed when this major appliance was purchased.

**YOUR SOLE AND EXCLUSIVE REMEDY UNDER THIS LIMITED WARRANTY SHALL BE PRODUCT REPAIR AS PROVIDED HEREIN.** Service must be provided by a Jenn-Air designated service company. This limited warranty is valid only in the United States or Canada and applies only when the major appliance is used in the country in which it was purchased. This limited warranty is effective from the date of original consumer purchase. Proof of original purchase date is required to obtain service under this limited warranty.

### WHAT IS NOT COVERED

1. Commercial, non-residential or multiple-family use, or use inconsistent with published user, operator or installation instructions.
2. In-home Instruction on how to use your product
3. Service to correct improper product maintenance or installation, installation not in accordance with electrical or plumbing codes or correction of household electrical or plumbing (i.e. house wiring, fuses or water inlet hoses).
4. Consumable parts (i.e. light bulbs, batteries, air or water filters, preservation solutions, etc.).
5. Damage from accident, misuse, abuse, fire, floods, acts of God or use with products not approved by Jenn-Air.
6. Repairs to parts or systems to correct product damage or defects caused by unauthorized service, alteration or modification of the appliance.
7. Cosmetic damage including scratches, dents, chips, and other damage to appliance finishes unless such damage results from defects in materials and workmanship and is reported to Jenn-Air within 30 days.
8. Discoloration, rust or oxidation of surfaces resulting from caustic or corrosive environments including but not limited to high salt concentrations, high moisture or humidity or exposure to chemicals.
9. Food or medicine loss due to product failure.
10. Pick-up or delivery. This product is intended for in-home repair.
11. Travel or transportation expenses for service in remote locations where an authorized Jenn-Air servicer is not available.
12. Removal or reinstallation of inaccessible appliances or built-in fixtures (i.e. trim, decorative panels, flooring, cabinetry, islands, countertops, drywall, etc.) that interfere with servicing, removal or replacement of the product.
13. Service or parts for appliances with original model/serial numbers removed, altered or not easily determined.

**The cost of repair or replacement under these excluded circumstances shall be borne by the customer.**

### DISCLAIMER OF IMPLIED WARRANTIES

IMPLIED WARRANTIES, INCLUDING ANY IMPLIED WARRANTY OF MERCHANTABILITY OR IMPLIED WARRANTY OF FITNESS FOR A PARTICULAR PURPOSE, ARE LIMITED TO ONE YEAR OR THE SHORTEST PERIOD ALLOWED BY LAW. Some states and provinces do not allow limitations on the duration of implied warranties of merchantability or fitness, so this limitation may not apply to you. This warranty gives you specific legal rights, and you also may have other rights that vary from state to state or province to province.

### DISCLAIMER OF REPRESENTATIONS OUTSIDE OF WARRANTY

Jenn-Air makes no representations about the quality, durability, or need for service or repair of this major appliance other than the representations contained in this warranty. If you want a longer or more comprehensive warranty than the limited warranty that comes with this major appliance, you should ask Jenn-Air or your retailer about buying an extended warranty.

### LIMITATION OF REMEDIES; EXCLUSION OF INCIDENTAL AND CONSEQUENTIAL DAMAGES

**YOUR SOLE AND EXCLUSIVE REMEDY UNDER THIS LIMITED WARRANTY SHALL BE PRODUCT REPAIR AS PROVIDED HEREIN. JENN-AIR SHALL NOT BE LIABLE FOR INCIDENTAL OR CONSEQUENTIAL DAMAGES.** Some states and provinces do not allow the exclusion or limitation of incidental or consequential damages, so these limitations and exclusions may not apply to you. This warranty gives you specific legal rights, and you also may have other rights that vary from state to state or province to province.

---

## Notes

# SEGURIDAD DEL JUEGO DE PANELES PARA PUERTAS

## Su seguridad y la seguridad de los demás es muy importante.

Hemos incluido muchos mensajes importantes de seguridad en este manual y en su electrodoméstico. Lea y obedezca siempre todos los mensajes de seguridad.



Este es el símbolo de advertencia de seguridad.

Este símbolo le llama la atención sobre peligros potenciales que pueden ocasionar la muerte o una lesión a usted y a los demás.

Todos los mensajes de seguridad irán a continuación del símbolo de advertencia de seguridad y de la palabra "PELIGRO" o "ADVERTENCIA". Estas palabras significan:

**⚠ PELIGRO**

Si no sigue las instrucciones de inmediato, usted puede morir o sufrir una lesión grave.

**⚠ ADVERTENCIA**

Si no sigue las instrucciones, usted puede morir o sufrir una lesión grave.

Todos los mensajes de seguridad le dirán el peligro potencial, le dirán cómo reducir las posibilidades de sufrir una lesión y lo que puede suceder si no se siguen las instrucciones.

## REQUISITOS DE INSTALACIÓN

### IMPORTANTE:

- Las siguientes instrucciones sirven como guía general solamente y no sustituyen de ninguna manera las normas nacionales o locales. La conformidad con todas las normas locales, estatales o nacionales relacionadas con este tipo de instalación debe ser constatada antes de realizarse la instalación.
- Estas instrucciones han sido diseñadas para complementar las Instrucciones de instalación provistas con su refrigerador, no para reemplazarlas. Siga las instrucciones provistas con el refrigerador para instalarlo dentro del gabinete.
- El refrigerador se envía con una bolsa de herramientas. Encontrará la bolsa de herramientas en uno de los cajones para verduras o adherida a la parte exterior de una de las puertas del refrigerador.

**NOTA:** La bolsa de herramientas contiene todas las piezas y sujetadores necesarios para instalar paneles de madera a la medida. La mayoría de los componentes han sido instalados previamente en los paneles que se incluyen en este juego.

## Herramientas y piezas

Reúna las herramientas y piezas necesarias antes de comenzar la instalación. Lea y siga las instrucciones provistas con cualquiera de las herramientas necesarias enlistadas aquí. La instalación correcta es su responsabilidad.

### Herramientas necesarias:

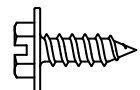
- Taladro inalámbrico
- Brocas
- Llaves de boca de  $\frac{3}{8}$ " y  $\frac{1}{2}$ " o dos llaves ajustables
- Destornillador Phillips
- Nivel pequeño
- Plataforma rodante
- Llave hexagonal de  $\frac{3}{32}$ ",  $\frac{5}{32}$ " y  $\frac{3}{16}$ "
- Llaves de cubo de  $\frac{1}{4}$ " y  $\frac{5}{16}$ "
- Cinta de medir
- Cuchillo para uso general
- Cinta adhesiva (para pintores)

### Piezas provistas con el juego de paneles:

- Paneles de las puertas exteriores con manijas y piezas de montaje preinstaladas.
- Instrucciones
- Rejilla de acceso del refrigerador con piezas de montaje preinstaladas
- Cubierta de la rejilla de ventilación de acceso

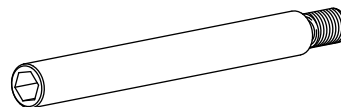
### Piezas provistas junto con el refrigerador: Necesarias para instalar el juego de paneles:

- Tornillo Phillips plano  
**Blanco: 8281251**  
**Negro: 8281252**
- Tornillo de cabeza ranurada hexagonal  
**W10141645**



### Piezas provistas junto con el refrigerador: Usar solamente si es necesario reducir la abertura de la puerta a 90°:

- Pasador del tope de la puerta  
**W10234202**

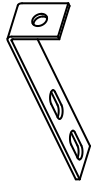


**Piezas provistas junto con el refrigerador:** Las siguientes piezas pueden no ser necesarias para instalar los paneles en este juego o pueden ya estar instaladas en los paneles. Estas piezas pueden desecharse luego de completar la instalación:

- Soporte superior del panel  
Blanco: W10192849  
Negro: W10667450



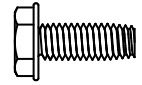
- Soportes en "L"  
W10234199



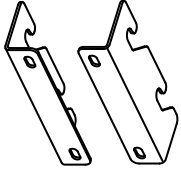
- Tornillo puntiagudo de cabeza hexagonal  
W10141189



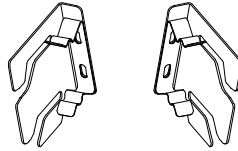
- Tornillo de cabeza hexagonal romo  
W10142233



- Soporte estándar de rejilla  
W10182743 (izquierda)  
W10172741 (derecha)



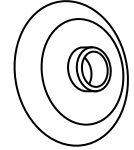
- Soporte incorporado de rejilla  
W10260890 (izquierda)  
W10260891 (derecha)



- Tornillo de cabeza redonda  
1163283



- Arandela de tope  
W10471946



## INSTRUCCIONES DE INSTALACIÓN

### IMPORTANTE:

- Jenn-Air no es responsable de la remoción o adición de molduras o paneles de madera recubiertos que pudieran impedir el acceso al refrigerador para darle servicio.
- Las instrucciones a continuación se aplican tanto a los modelos de refrigeradores con congelador en la parte inferior como a refrigeradores de dos puertas. Siga las instrucciones que sean específicas para su modelo.

### ⚠ ADVERTENCIA

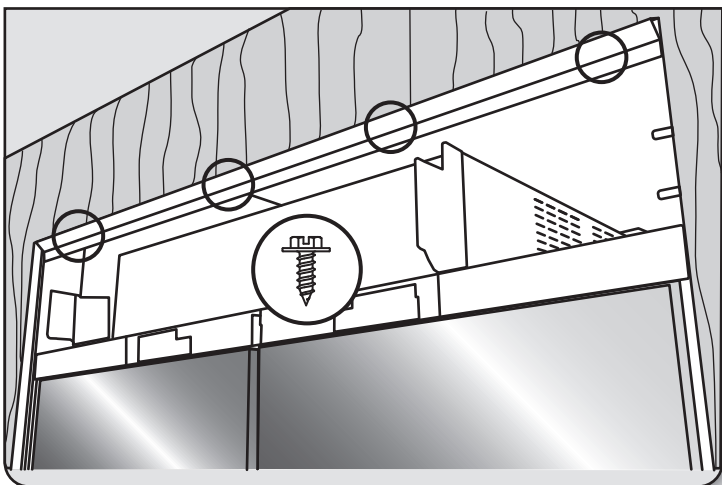
#### Peligro de Peso Excesivo

Use dos o más personas para mover e instalar los paneles.

No seguir esta instrucción puede ocasionar una lesión en la espalda u otro tipo de lesiones.

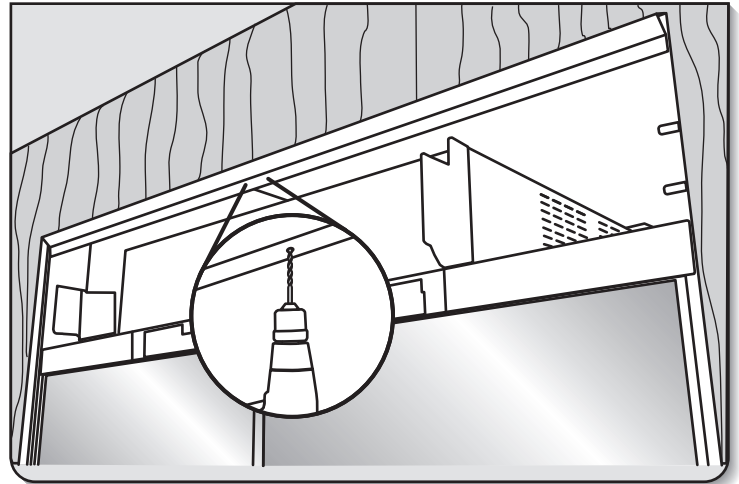
## Instale la cubierta de la rejilla superior de ventilación.

### 1. Marque las ubicaciones de los orificios.

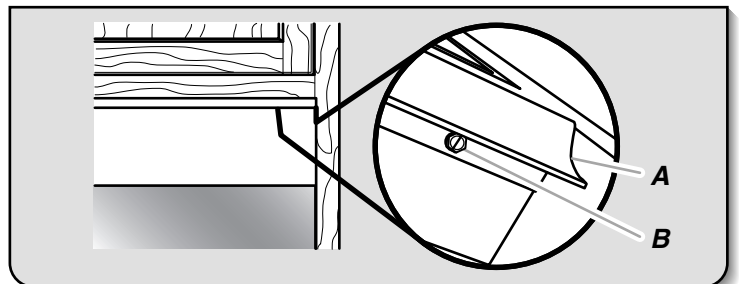


Utilice la cubierta de la rejilla superior de ventilación como plantilla para marcar la ubicación de los orificios de montaje.

### 2. Taladre los orificios.



### 3. Fije la cubierta.



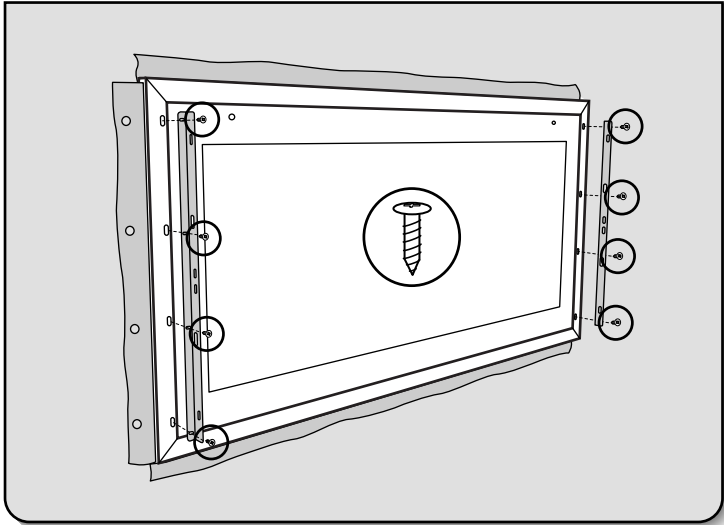
A. Ducto de escape de la rejilla superior  
B. Tornillo de cabeza ranurada hexagonal

Utilizando los cuatro tornillos de cabeza ranurada hexagonal, instale la cubierta de la rejilla superior de ventilación en el gabinete.

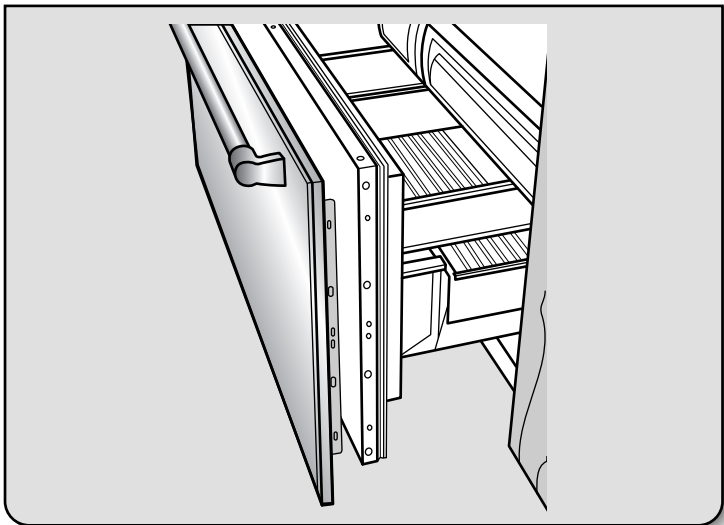
## Modelos con congelador en la parte inferior (solamente)

**IMPORTANTE:** Para los modelos de dos puertas, saltee esta sección y diríjase a “Cómo instalar los paneles de la puerta”.

### 1. Afloje los tornillos del soporte.

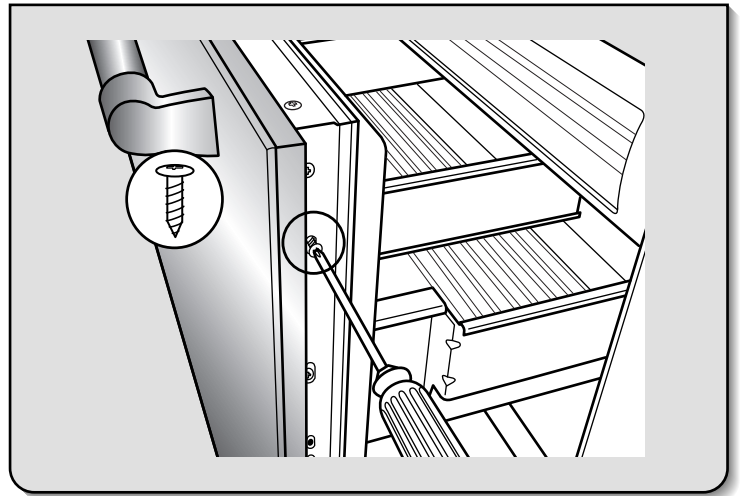


### 2. Deslice el panel hacia el cajón.



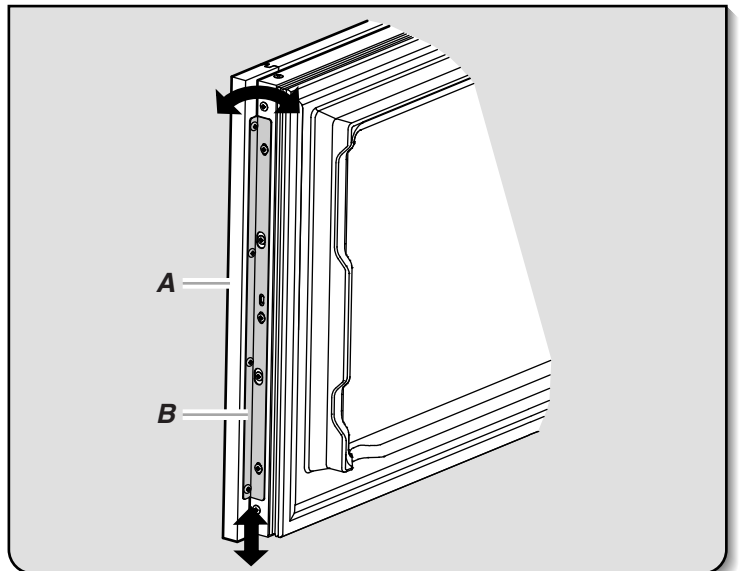
Vuelva a apretar los cuatro tornillos a cada lado para sujetar el soporte al panel del cajón.

### 3. Instale el panel en el cajón.



Utilizando los tornillos planos Phillips, ajuste los soportes del panel al cajón.

### 4. Alinee el panel.



A. Panel del cajón

B. Soporte del panel del cajón

A fin de permitir un ajuste posterior del panel, no ajuste los tornillos que sujetan el soporte al cajón por completo.

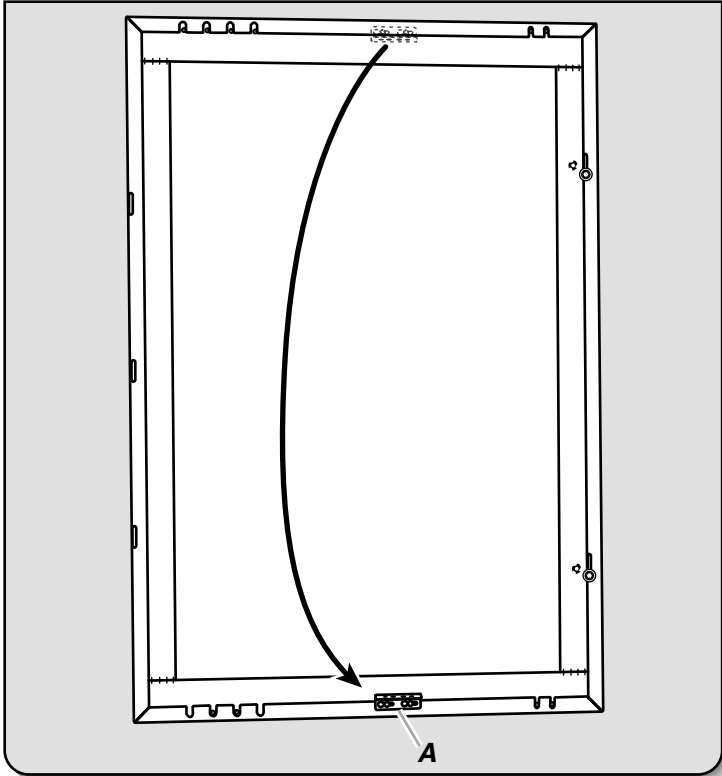
**IMPORTANTE:** Una vez terminada la instalación de todos los paneles, verifique que estos estén alineados correctamente. Para alinearlo, el panel del cajón se debe mover hacia arriba o hacia abajo. Apriete por completo los tornillos.

**IMPORTANTE: Modelo de 36" con congelador en la parte inferior (solamente)**

Las piezas instaladas en los paneles de las puertas encajan en las puertas del refrigerador que poseen bisagras en el lado derecho. Si la puerta de su refrigerador tiene bisagras en el lado izquierdo, debe trasladar los soportes de montaje y las arandelas de tope hacia ese lado.

Para modificar el panel de una puerta con abertura del lado izquierdo:

**1. Mueva el soporte de montaje.**

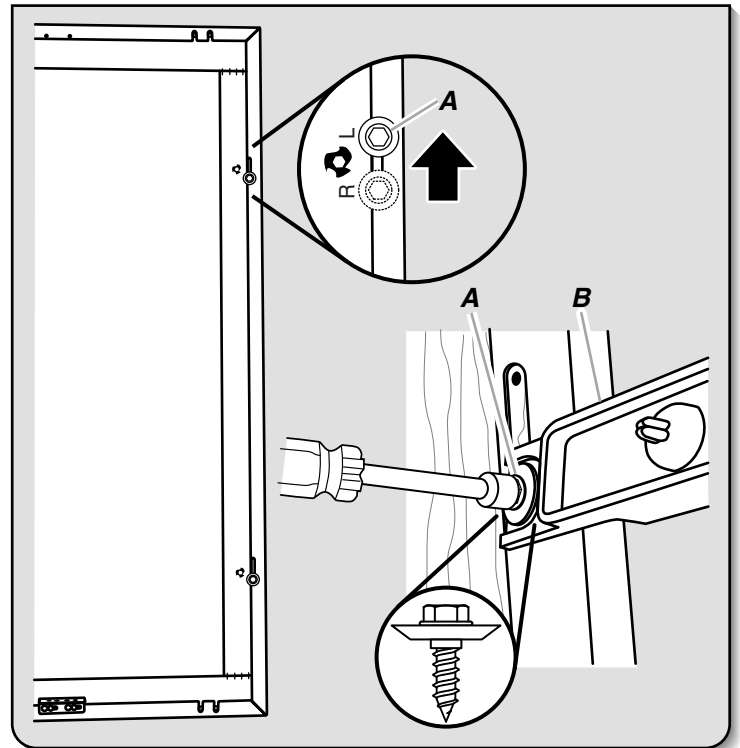


A. El soporte de montaje.

Retire el soporte de montaje y vuelva a instalarlo en los orificios previamente taladrados en el extremo opuesto del panel.

**NOTA:** El extremo con el soporte de montaje ahora es el lado superior del panel de la puerta.

**2. Mueva las arandelas de tope de R (derecha) a L (izquierda).**



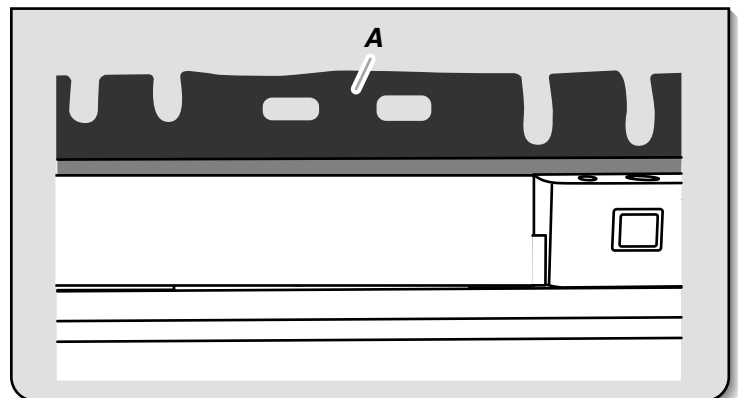
A. Arandela de tope y tornillo puntiagudo de cabeza hexagonal  
B. Bloque de instalación

Retire los tornillos y las arandelas de tope de los orificios marcados con la letra "R" (derecha). Vuelva a instalar las arandelas de tope en los orificios previamente taladrados marcados con la letra "L" (izquierda).

**IMPORTANTE:** Use el bloque de instalación como guía para la profundidad.

**Cómo instalar los paneles de la puerta**

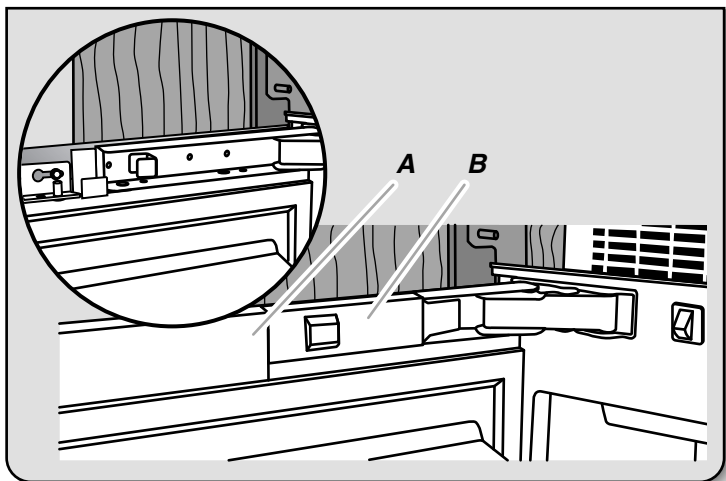
**1. Deje al descubierto las piezas de montaje.**



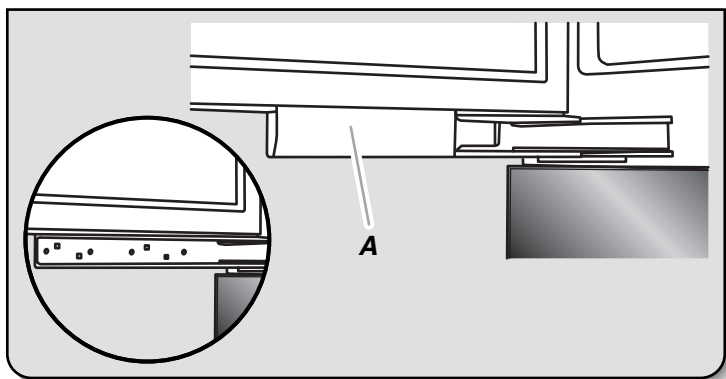
A. Película protectora

Retire la película protectora del panel de la puerta de modo que no quede nada de película atrapada entre el panel de la puerta y la puerta. No quite por completo la película protectora hasta que se haya terminado la instalación.

## 2. Retire las cubiertas del pasador de ajuste de la puerta y la cubierta de las bisagras.



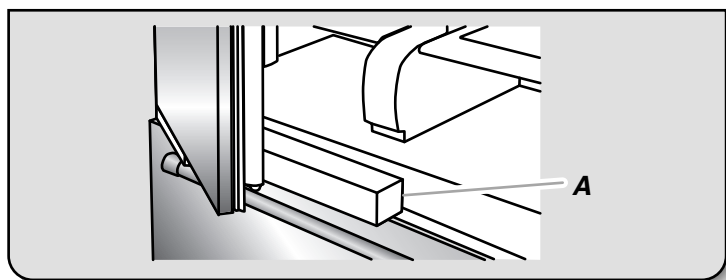
A. Cubierta del pasador de ajuste de la puerta  
B. Cubierta de la bisagra superior



A. Cubierta de la bisagra inferior

Abra las puertas y retire las cubiertas de las bisagras y la cubierta o cubiertas del pasador de ajuste de la puerta para dejar al descubierto los orificios de montaje.

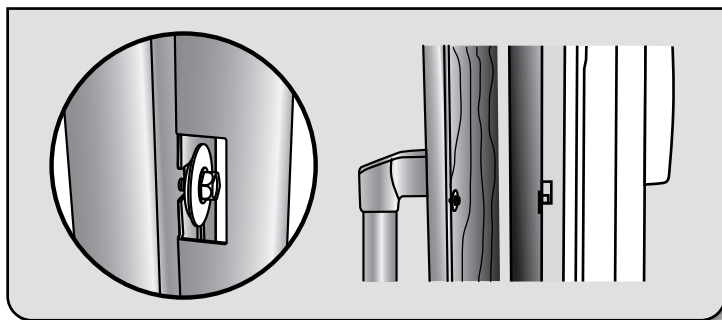
## 3. Mantenga la puerta abierta.



A. Empaque de espuma

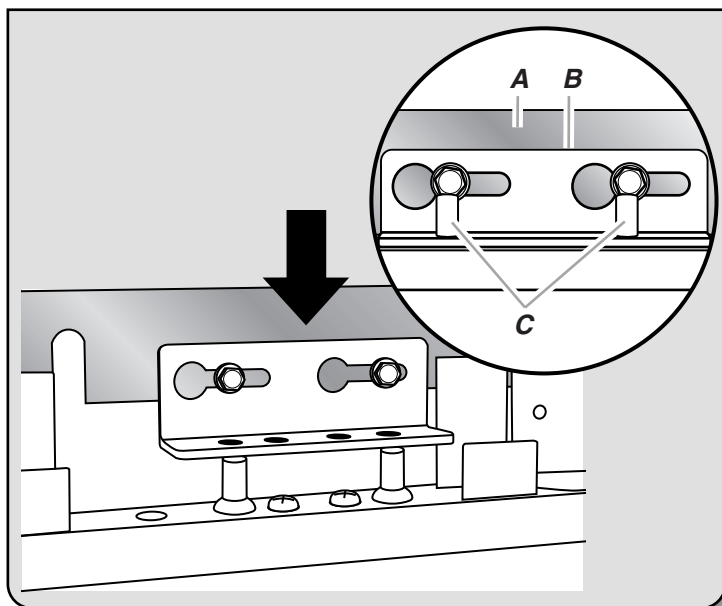
Use el empaque de espuma para apoyar la puerta y mantenerla abierta mientras instala el panel de la puerta.

## 4. Coloque el panel en la puerta.



Alinee las dos arandelas de tope, ubicadas en el lado posterior del panel de la puerta, con las ranuras en "J" que están en el costado de la puerta del refrigerador.

## 5. Baje el panel hacia los pasadores.



A. Panel de la puerta  
B. Soporte superior del panel  
C. Pasadores de ajuste

Deslice el panel hacia la puerta y baje el soporte del panel hacia los pasadores de ajuste que se encuentran en la parte superior de la puerta.

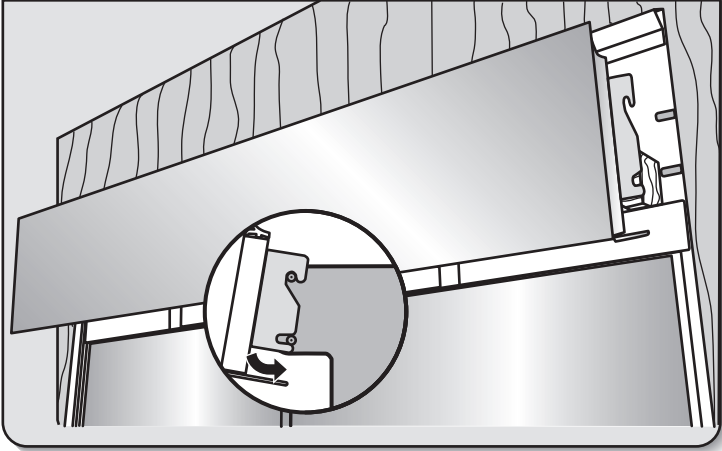
## 6. Repita el procedimiento.

Para los modelos de dos puertas con congelador en la parte inferior y los modelos de dos puertas, repita los pasos 2 a 5 para instalar el panel de la segunda puerta.



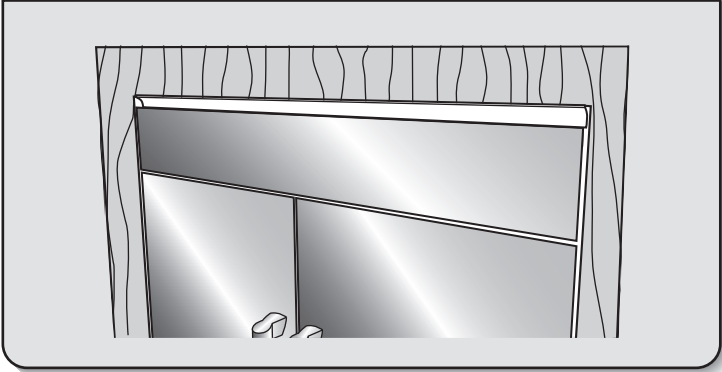
## Instalación del panel para la rejilla superior

1. Enganche los soportes del panel en los pasadores de montaje.



A la vez que sostiene el panel en ángulo, enganche los soportes sobre los pernos de montaje que se extienden desde la parte superior del refrigerador. Luego empuje hacia delante la parte inferior del panel de la rejilla hasta que el soporte encaje a presión en su lugar.

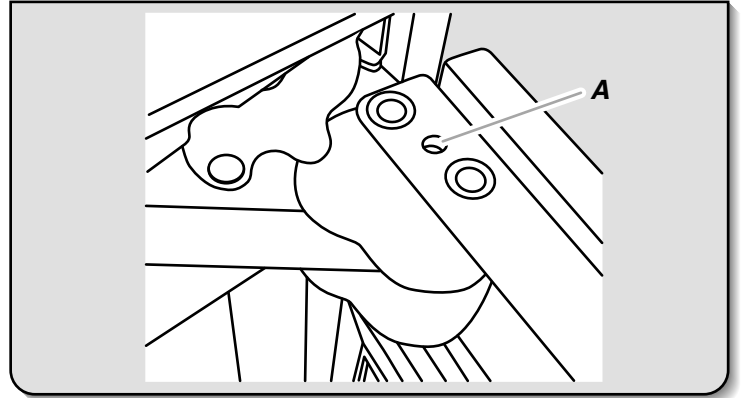
2. Alinee el panel.



Afloje los tornillos de los soportes de montaje y mueva los soportes hacia arriba o hacia abajo para obtener el espacio correcto entre los paneles.

## Ajuste de la abertura de las puertas (opcional)

1. Abra la puerta a menos de 90°. Inserte el pasador del tope de la puerta. (opcional)

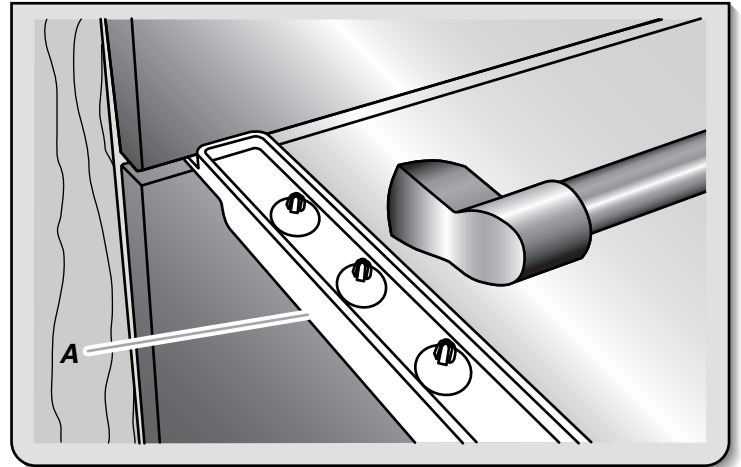


A. Orificio del pasador del tope de la puerta

Si la abertura estándar de la puerta de 110° le resulta demasiado ancha, instale el pasador del tope de la puerta para permitir una abertura máxima de 90°. Inserte el pasador para el tope de la puerta en la bisagra superior, en el orificio que se muestra. Utilice una llave hexagonal de 5/32" para apretar el pasador del tope de la puerta.

## Ajuste del panel

1. Mida los espacios entre los paneles.



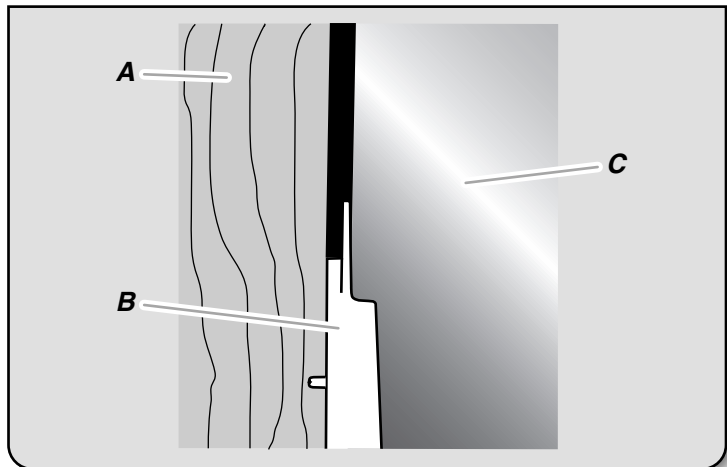
A. Bloque de instalación

Se requiere un espacio de 1/8" (3,2 mm) entre cada uno de los paneles. Use el bloque de instalación para medir los espacios.

**⚠ CUIDADO****Peligro de pellizcos**

Si se instalan los paneles de la puerta con un espacio menor de  $\frac{3}{8}$ " (0,95 cm) entre el panel de la puerta y el armario adyacente, aumentará el riesgo de pellizcos potenciales.

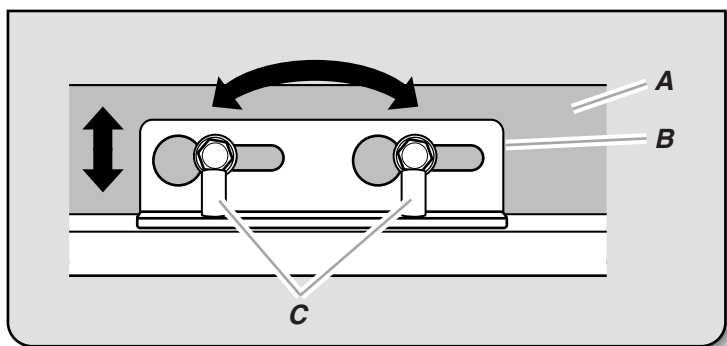
## 2. Mida los espacios entre los paneles y los gabinetes.



A. Armario adyacente  
B. Bloque de instalación  
C. Panel sobre la puerta

Se requiere un espacio de  $\frac{3}{8}$ " (0,95 cm) entre el panel y los gabinetes adyacentes. Use el bloque de instalación para medir los espacios.

## 3. Ajuste los paneles.



A. Panel de la puerta  
B. Soporte superior del panel  
C. Pasadores de ajuste

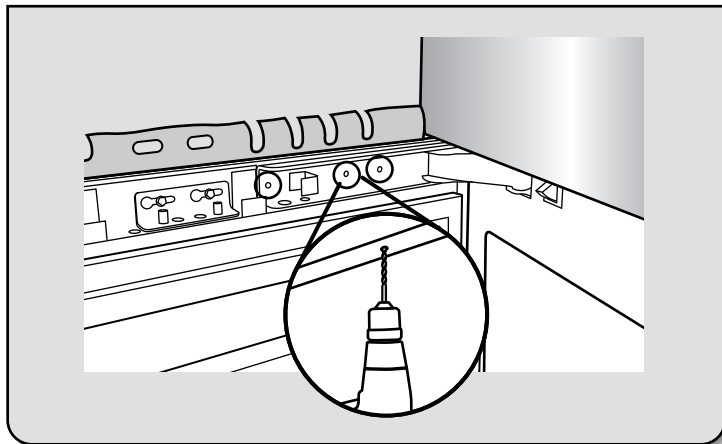
Ajuste el panel, NO la puerta, si es necesario hacer ajustes para alinear u obtener los espacios requeridos.

- Use una llave hexagonal de  $\frac{5}{32}$ " para levantar o bajar los pasadores de ajuste, lo que permite que el panel de la puerta se mueva hacia arriba o hacia abajo.
- Afloje el soporte de montaje que se encuentra en la parte superior de la puerta para permitir que el panel se mueva hacia la izquierda o hacia la derecha en el soporte de montaje.

## 4. Apriete todos los tornillos del soporte.

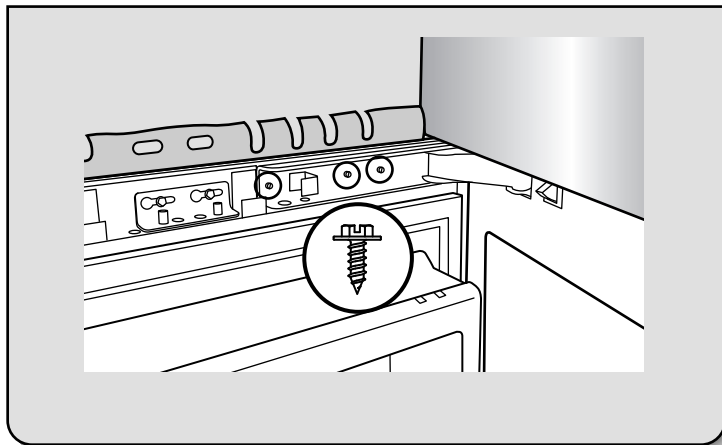
## Coloque los paneles.

### 1. Taladre los orificios guía.



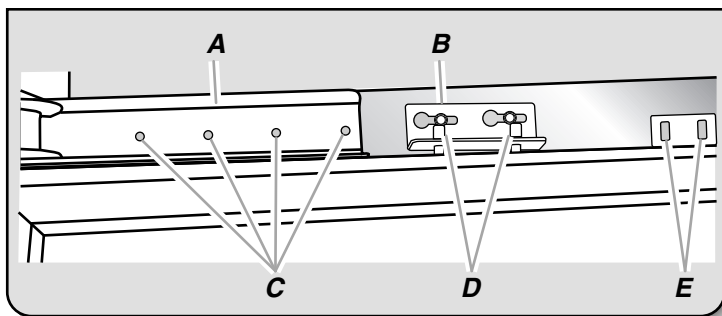
Use una broca de  $\frac{3}{32}$ " para taladrar los orificios guía en el (los) panel(es) de la puerta a través de los orificios abiertos de las bisagras de la parte inferior y superior.

### 2. Ajuste las bisagras a los paneles.



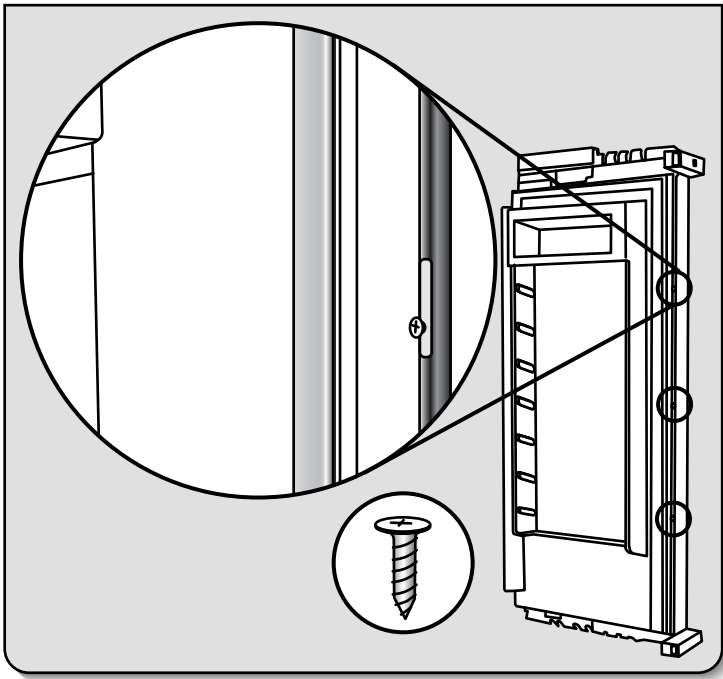
Usando los tornillos de cabeza ranurada hexagonal, ajuste las bisagras superior e inferior a los paneles de la puerta. Apriete por completo todos los tornillos del panel de la puerta.

- Modelos de 36" con congelador en la parte inferior solamente - Use los tornillos de cabeza hexagonal para ajustar el panel al soporte de la puerta adicional.



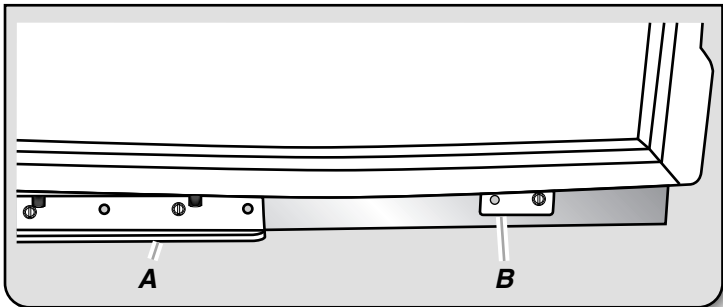
A. Bisagra superior  
B. Soporte de montaje  
C. Orificios para los tornillos  
D. Pasadores de ajuste de la puerta  
E. Orificios para los tornillos (solo para modelos de 36")

### 3. Instale el panel de la puerta en el lado de la bisagra.



Taladre los orificios previamente en el lado vertical de la bisagra de la puerta. Use los tornillos Phillips para ajustar el panel a la puerta.

### 4. Ajuste los soportes inferiores a los paneles.

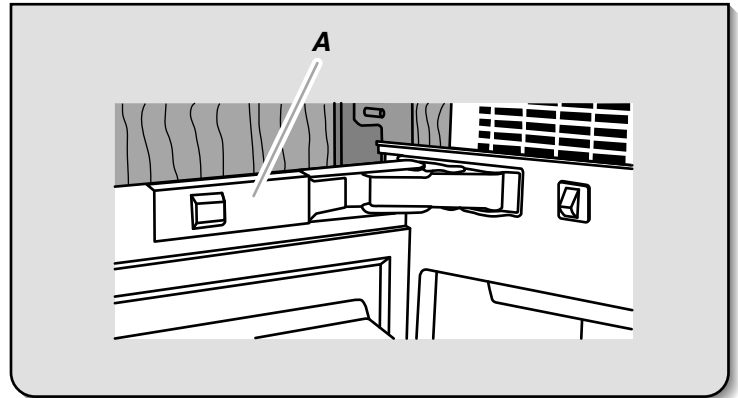


A. Bisagra inferior  
B. Soporte de montaje

Use los tornillos de cabeza ranurada hexagonal para fijar el soporte de montaje ubicado en la base de las puertas a los paneles de la puerta.

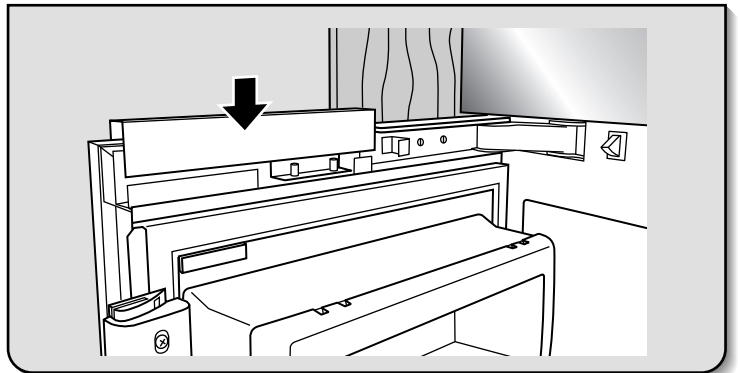
## Complete la instalación

### 1. Vuelva a colocar las cubiertas de las bisagras.



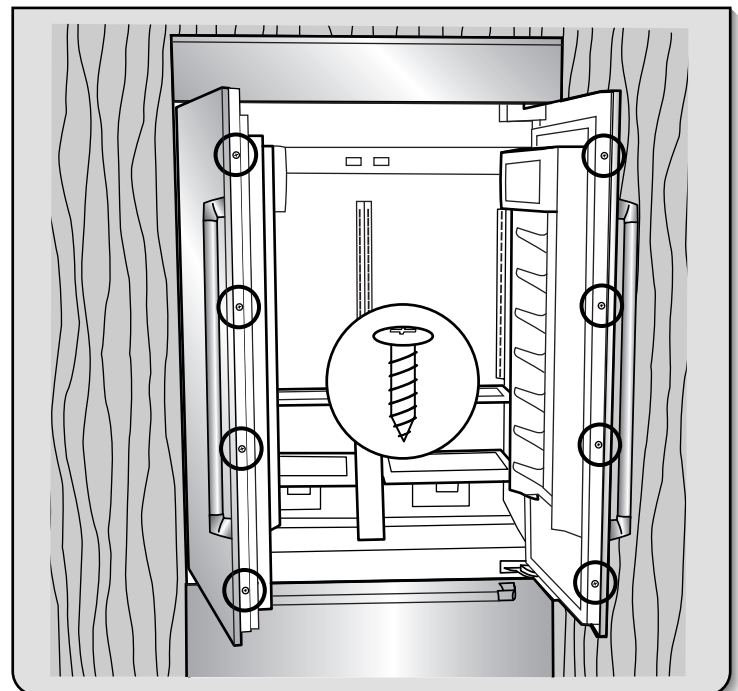
A. Cubierta de la bisagra superior

### 2. Vuelva a colocar la cubierta del pasador de ajuste de la puerta.



Encaje a presión la cubierta del pasador de ajuste de la puerta en su lugar.

### 3. Coloque las cubiertas laterales de la manija.



Usando los tornillos Phillips, coloque las piezas de la cubierta lateral de la manija (que se envían junto al refrigerador) en las puertas.

# GARANTÍA LIMITADA DEL REFRIGERADOR JENN-AIR®

ADJUNTE SU RECIBO AQUÍ. SE REQUIERE LA PRUEBA DE COMPRA PARA OBTENER SERVICIO BAJO LA GARANTÍA.

Tenga a mano la siguiente información cuando llame al Centro para la eXperiencia del cliente:

- Nombre, dirección y número de teléfono
- Número de modelo y de serie
- Una descripción clara y detallada del problema
- Prueba de compra incluido el nombre y la dirección del distribuidor o vendedor

## SI NECESITA SERVICIO TÉCNICO:

1. Antes de contactarnos para obtener servicio, determine si el producto requiere reparación. Algunas consultas pueden atenderse sin servicio técnico. Tómese unos minutos para revisar la sección de Solución de problemas o Problemas y soluciones del Manual de uso y cuidado, escanee el código QR que se encuentra a la derecha para acceder a los recursos adicionales o visite <https://jennair.custhelp.com>.
2. Todos los servicios bajo la garantía los brindan exclusivamente Prestadores autorizados de servicio de Jenn-Air. Para EE.UU. y Canadá, dirija todas las solicitudes de servicio bajo la garantía a:

**Centro para la eXperiencia del cliente de Jenn-Air  
1-800-JENNAIR (1-800-536-6247)**



<https://jennair.custhelp.com>

Si usted se encuentra fuera de los cincuenta Estados Unidos o Canadá, póngase en contacto con su distribuidor autorizado de Jenn-Air para determinar si corresponde otra garantía.

## GARANTÍA LIMITADA DE DOCE AÑOS

### LO QUE ESTÁ CUBIERTO

#### GARANTÍA LIMITADA DE DOS AÑOS

Durante dos años a partir de la fecha de compra, siempre y cuando este electrodoméstico principal haya sido instalado, mantenido y operado según las instrucciones adjuntas o provistas con el producto, la marca Jenn-Air de Whirlpool Corporation o Whirlpool Canada LP (en lo sucesivo denominado "Jenn-Air") se hará cargo del costo de las piezas especificadas de fábrica y del trabajo de reparación para corregir defectos en los materiales o en la mano de obra existentes en el momento de la compra de este electrodoméstico principal o, a su sola discreción, reemplazará el producto. En el caso de reemplazar el producto, su electrodoméstico estará cubierto por la garantía por el tiempo restante del periodo de garantía de la unidad original.

#### GARANTÍA LIMITADA DEL TERCER AL SEXTO AÑO (SOLO PARA EL SISTEMA DE REFRIGERACIÓN SELLADO)

Del tercer al sexto año a partir de la fecha de compra, cuando este electrodoméstico principal sea instalado, operado y mantenido de acuerdo a las instrucciones adjuntas o provistas con el producto, la marca Jenn-Air pagará por las piezas de repuesto especificadas de fábrica y del trabajo de reparación para los siguientes componentes, para corregir defectos de material o de mano de obra en el sistema de refrigeración sellado (incluye compresor, evaporador, condensador, secador y tubos conectores), existentes en el momento de la compra de este electrodoméstico principal.

#### GARANTÍA LIMITADA DEL SÉPTIMO AL DUODÉCIMO AÑO (SOLO PARA EL SISTEMA DE REFRIGERACIÓN SELLADO - NO SE INCLUYE LA MANO DE OBRA)

Del séptimo al duodécimo año a partir de la fecha de compra, cuando este electrodoméstico principal sea instalado, operado y mantenido de acuerdo a las instrucciones adjuntas o provistas con el producto, la marca Jenn-Air pagará por las piezas de repuesto especificadas de fábrica para los siguientes componentes, para corregir defectos de material o de mano de obra en el sistema de refrigeración sellado (incluye compresor, evaporador, condensador, secador y tubos conectores), existentes en el momento de la compra de este electrodoméstico principal.

SU ÚNICO Y EXCLUSIVO RECURSO SEGÚN LOS TÉRMINOS DE ESTA GARANTÍA LIMITADA SERÁ EL DE REPARAR EL PRODUCTO SEGÚN SE ESTIPULA EN LA PRESENTE. El servicio deberá ser suministrado por una compañía de servicio designada por Jenn-Air. Esta garantía limitada es válida solamente en Estados Unidos o en Canadá y se aplica solamente cuando el electrodoméstico principal se use en el país en el que se ha comprado. Esta garantía limitada entrará en vigor a partir de la fecha de la compra del consumidor original. Se requiere una prueba de la fecha de compra original para obtener servicio bajo esta garantía limitada.

### LO QUE NO ESTÁ CUBIERTO

1. Uso comercial, no residencial o familiar múltiple o uso diferente del indicado en las instrucciones del usuario, del operador o de instalación publicadas.
2. Instrucción a domicilio sobre cómo usar el producto.
3. Servicio para corregir el mantenimiento o la instalación incorrecta del producto, la instalación que no esté de acuerdo con los códigos eléctricos o de plomería o corrección de plomería o instalación eléctrica doméstica (por ejemplo, instalación eléctrica, fusibles o mangueras de entrada de agua del hogar).
4. Piezas de consumo (por ejemplo, focos de luz, baterías, filtros de agua o de aire, soluciones de conservación, etc.).
5. Daño causado por accidente, uso indebido, abuso, incendio, inundación, actos fortuitos o el empleo de productos no aprobados por Jenn-Air.
6. Reparaciones a piezas o sistemas para corregir el daño o los defectos del producto a causa de reparaciones por servicio no autorizado, alteraciones o modificaciones en el electrodoméstico.
7. Daños estéticos, incluyendo rayaduras, abolladuras, desportilladuras u otro daño al acabado del electrodoméstico a menos que el mismo sea debido a defectos en los materiales o la mano de obra y se le informe a Jenn-Air en un lapso de 30 días.
8. Decoloración, herrumbre u oxidación de las superficies producto de entornos corrosivos o cáusticos que incluyen, entre otras cosas, altas concentraciones de sal, humedad elevada o exposición a productos químicos.
9. Pérdida de comida o medicamentos debido a la falla del producto.
10. Recogida o entrega. Este producto está destinado para ser reparado en su hogar.
11. Gastos de viaje o de transporte para prestar servicio en lugares remotos en los cuales no haya disponible un técnico de servicio autorizado por Jenn-Air.
12. Remoción o reinstalación de electrodomésticos en lugares inaccesibles o dispositivos empotrados (por ejemplo, adornos, paneles decorativos, pisos, armarios, islas, mostradores, paredes, etc.) que interfieran con el servicio, la remoción o el reemplazo del producto.
13. Servicio técnico o piezas para electrodomésticos con números de serie/modelo originales removidos, alterados o no identificados con facilidad.

**El costo de la reparación o del reemplazo bajo estas circunstancias excluidas correrá por cuenta del cliente.**

---

**EXCLUSIÓN DE GARANTÍAS IMPLÍCITAS**

LAS GARANTÍAS IMPLÍCITAS, INCLUYENDO CUALQUIER GARANTÍA IMPLÍCITA DE COMERCIABILIDAD O GARANTÍA IMPLÍCITA DE CAPACIDAD PARA UN PROPÓSITO PARTICULAR, SERÁN LIMITADAS A UN AÑO O AL PERÍODO MÁS CORTO PERMITIDO POR LEY. Algunos estados y provincias no permiten la limitación de la duración de las garantías implícitas de comerciabilidad o capacidad, de modo que la limitación arriba indicada quizá no le corresponda. Esta garantía le otorga derechos legales específicos y es posible que usted tenga también otros derechos que varían de un estado a otro o de una provincia a otra.

---

**EXCLUSIÓN DE DECLARACIONES FUERA DE LA GARANTÍA**

Jenn-Air no hace declaraciones acerca de la calidad, durabilidad o necesidad de servicio técnico o reparación de este electrodoméstico principal aparte de las declaraciones incluidas en esta garantía. Si usted desea una garantía con una duración más prolongada o más completa que la garantía limitada que se incluye con este electrodoméstico principal, deberá dirigirse a Jenn-Air o a su distribuidor acerca de la compra de una garantía extendida.

---

**LIMITACIÓN DE RECURSOS; EXCLUSIÓN DE DAÑOS INCIDENTALES Y CONSECUENTES**

SU ÚNICO Y EXCLUSIVO RECURSO SEGÚN LOS TÉRMINOS DE ESTA GARANTÍA LIMITADA SERÁ EL DE REPARAR EL PRODUCTO SEGÚN SE ESTIPULA EN LA PRESENTE. JENN-AIR NO SE RESPONSABILIZARÁ POR DAÑOS INCIDENTALES O CONSECUENTES. Algunos estados y provincias no permiten la exclusión o limitación de daños incidentales o consecuentes, de modo que estas limitaciones y exclusiones quizás no le correspondan. Esta garantía le otorga derechos legales específicos y es posible que usted tenga también otros derechos que varían de un estado a otro o de una provincia a otra.

---

# SÉCURITÉ DE L'ENSEMBLE DE PANNEAUX POUR PORTE

## Votre sécurité et celle des autres est très importante.

Nous donnons de nombreux messages de sécurité importants dans ce manuel et sur votre appareil ménager. Assurez-vous de toujours lire tous les messages de sécurité et de vous y conformer.



Voici le symbole d'alerte de sécurité.

Ce symbole d'alerte de sécurité vous signale les dangers potentiels de décès et de blessures graves à vous et à d'autres.

Tous les messages de sécurité suivront le symbole d'alerte de sécurité et le mot "DANGER" ou "AVERTISSEMENT". Ces mots signifient :

**⚠ DANGER**

**Risque possible de décès ou de blessure grave si vous ne suivez pas immédiatement les instructions.**

**⚠ AVERTISSEMENT**

**Risque possible de décès ou de blessure grave si vous ne suivez pas les instructions.**

Tous les messages de sécurité vous diront quel est le danger potentiel et vous disent comment réduire le risque de blessure et ce qui peut se produire en cas de non-respect des instructions.

## EXIGENCES D'INSTALLATION

### IMPORTANT :

- Ces instructions ne constituent qu'un guide général et ne peuvent en aucun cas être substituées aux prescriptions d'un code national ou local applicable. Avant d'entreprendre l'installation, on doit déterminer les critères de conformité de l'installation aux prescriptions de tout code national, provincial ou local.
- Ces instructions complètent les instructions d'installation fournies avec le réfrigérateur, mais ne les remplacent pas. Suivre les instructions fournies avec le réfrigérateur pour l'installer dans le placard.
- Un sac de matériel est fourni avec le réfrigérateur. Il se trouve dans l'un des bacs à légumes ou est fixé à l'extérieur de l'une des portes du réfrigérateur.

**REMARQUE :** Le sac de matériel contient toutes les pièces et fixations nécessaires pour monter des panneaux de bois décoratifs. La plupart de ces composants ont été préinstallés sur les panneaux de cet ensemble.

## Outillage et pièces

Réunir les outils et pièces nécessaires avant de commencer l'installation. Lire et suivre les instructions fournies avec chacun des outils mentionnés dans cette liste. C'est à l'utilisateur qu'incombe la responsabilité de réaliser une installation correcte.

### Outillage nécessaire :

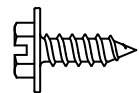
- Perceuse sans fil
- Forets
- Clés plates de  $\frac{3}{8}$ " et  $\frac{1}{2}$ " ou deux clés à molette
- Tournevis Phillips
- Petit niveau
- Chariot pour appareil ménager
- Clés à tête hexagonale de  $\frac{3}{32}$ ",  $\frac{5}{32}$ " et  $\frac{3}{16}$ "
- Clé à douille  $\frac{1}{4}$ " et  $\frac{5}{16}$ "
- Mètre-ruban
- Couteau utilitaire
- Ruban de masquage (de peintre)

### Pièces fournies avec l'ensemble de panneaux :

- Panneaux de portes extérieures équipés des poignées et du matériel de montage.
- Instructions
- Grille d'accès au réfrigérateur avec matériel de montage préinstallé
- Garniture de la grille d'accès

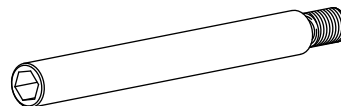
### Pièces fournies avec le réfrigérateur : nécessaires pour l'installation de l'ensemble de panneaux :

- Vis à tête plate Phillips  
Blanc: 8281251  
Noir: 8281252I
- Vis à tête hexagonale fendue  
W10141645



### Pièces fournies avec le réfrigérateur : à utiliser uniquement s'il est nécessaire de réduire le débattement de la porte à 90° :

- Goupille de butée de porte  
W10234202

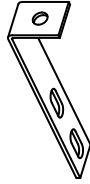


**Pièces fournies avec le réfrigérateur :** Les pièces suivantes ne sont pas nécessaires pour monter les panneaux de cet ensemble ou sont déjà montées sur les panneaux. Ces pièces peuvent être mises au rebut une fois l'installation terminée :

- Support supérieur pour panneau  
Blanc: W10192849  
Noir: W10667450



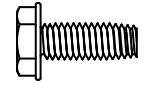
- Supports en "L"  
W10234199



- Vis pointue à tête hexagonale  
W10141189



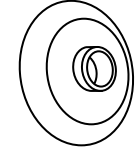
- Vis mécanique à tête hexagonale  
W10142233



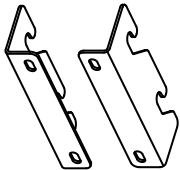
- Vis à tête ronde  
1163283



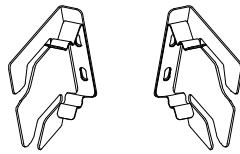
- Rondelle à épaulement  
W10471946



- Support de grille standard  
W10182743 (gauche)  
W10172741 (droite)



- Support de grille intégrée  
W10260890 (gauche)  
W10260891 (droite)



## INSTRUCTIONS D'INSTALLATION

### IMPORTANT :

- Jenn-Air n'est pas responsable des opérations de dépose et d'installation de moulures ou panneaux décoratifs en bois qui entraveraient l'accès au réfrigérateur lors d'une intervention d'entretien ou de réparation.
- Les instructions suivantes s'appliquent aux réfrigérateurs à congélateur en bas et aux réfrigérateurs côte à côte. Suivre les instructions relatives au modèle utilisé.

### ⚠ AVERTISSEMENT

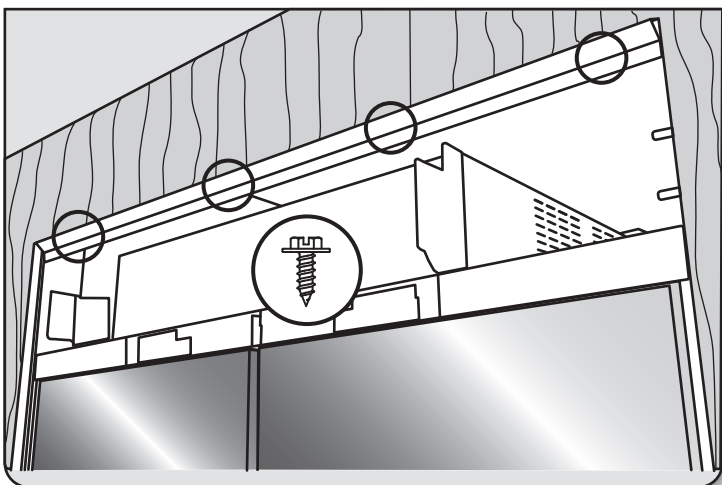
Risque du poids excessif

Utiliser deux personnes ou plus pour déplacer et installer les panneaux.

Le non-respect de cette instruction peut causer une blessure au dos ou d'autre blessure.

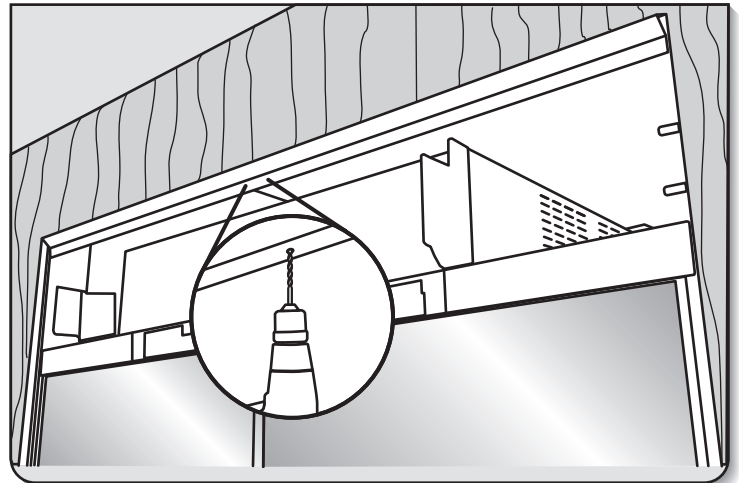
## Installation de la garniture de la grille supérieure

### 1. Marquer la position des trous.

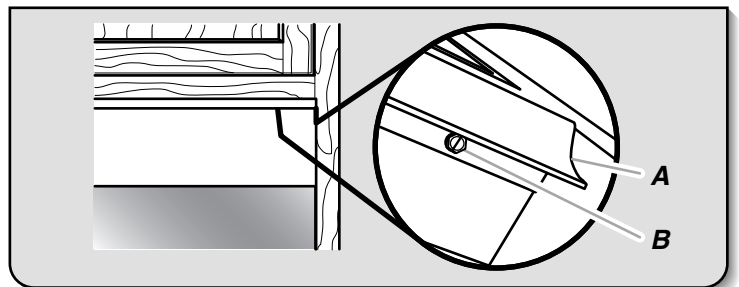


Utiliser la garniture de la grille supérieure comme gabarit pour repérer la position des trous de montage.

### 2. Percer les trous.



### 3. Fixer la garniture.



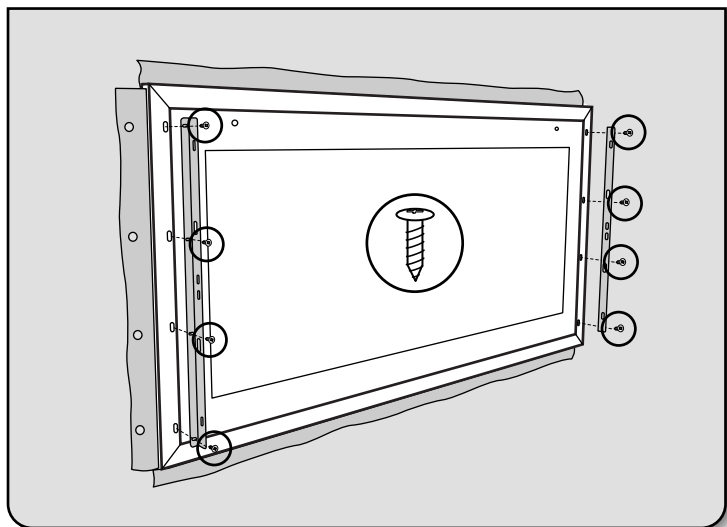
A. Garniture de la grille supérieure  
B. Vis à tête hexagonale fendue

Au moyen de quatre vis à tête hexagonale fendue, fixer la garniture de la grille supérieure au placard.

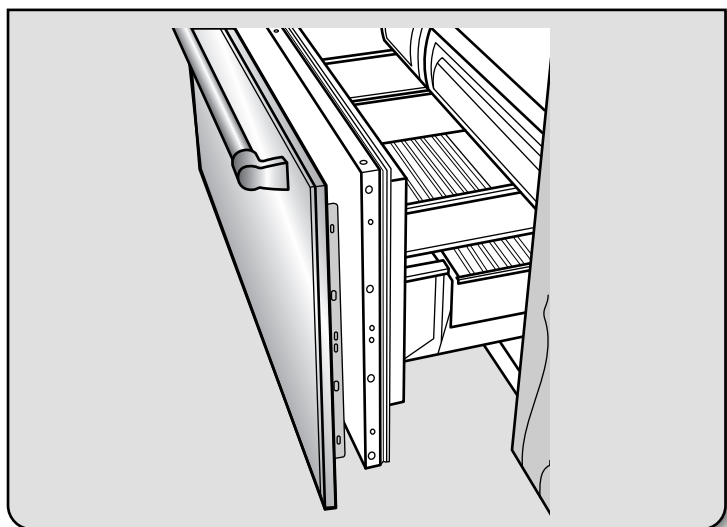
## Modèles à congélateur en bas (uniquement)

**IMPORTANT :** Pour les modèles côte à côte, passer directement à la section "Installation des panneaux de porte".

### 1. Desserrer les vis des supports.

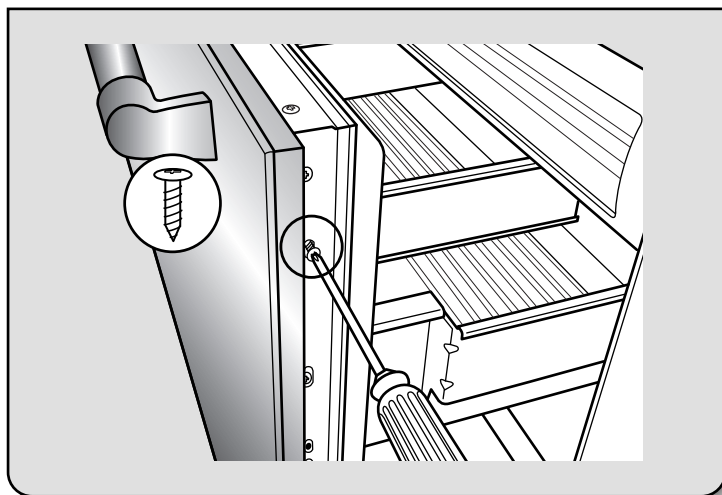


### 2. Glisser le panneau sur le tiroir.



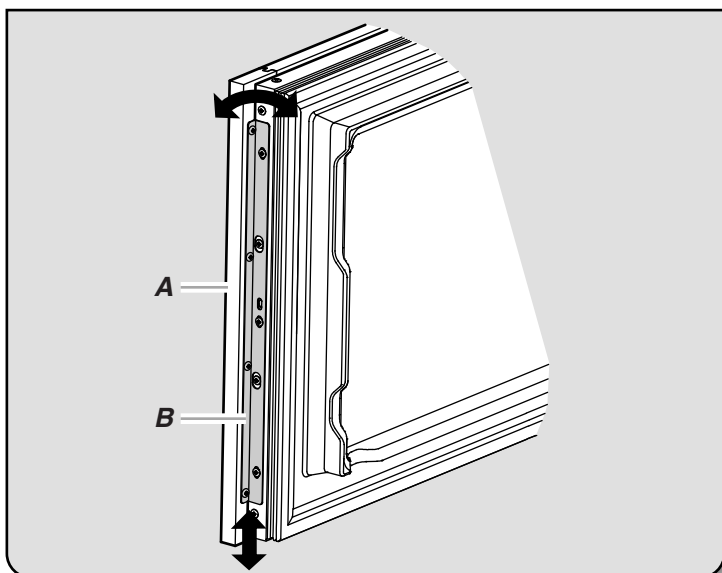
Serrer les quatre vis de chaque côté pour fixer le support au panneau du tiroir.

### 3. Installer le panneau sur le tiroir.



À l'aide des vis plates à tête Phillips, fixer les supports du panneau au tiroir.

### 4. Aligner le panneau.



A. Panneau de tiroir  
B. Support du panneau de tiroir

Pour le réglage ultérieur du panneau, ne pas serrer complètement les vis qui maintiennent le support au tiroir.

**IMPORTANT :** Une fois l'installation de tous les panneaux terminée, vérifier l'alignement. Le panneau du tiroir peut être monté ou descendu pour rectifier l'alignement. Serrer complètement les vis.

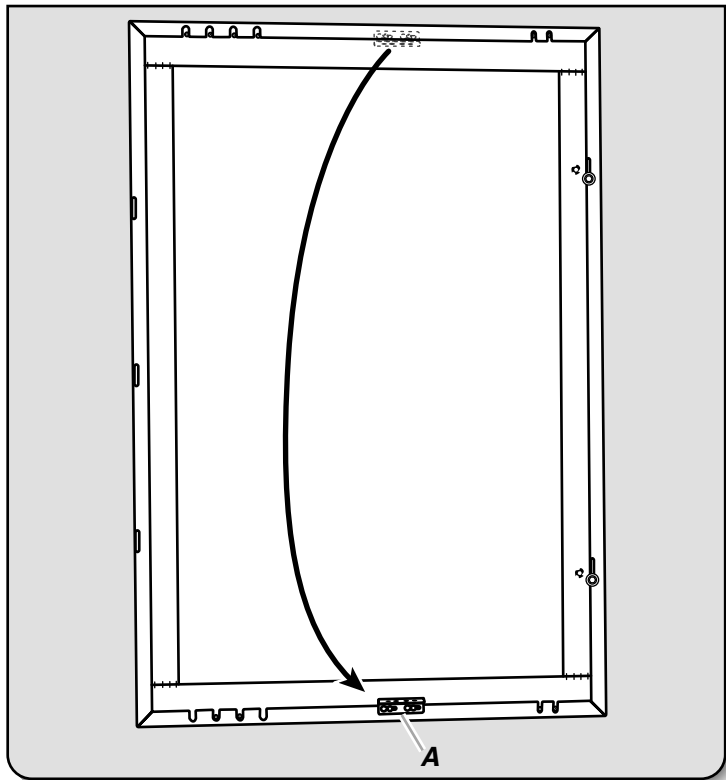


**IMPORTANT : Modèle de 36" à congélateur en bas (uniquement)**

Le matériel monté sur les panneaux de porte est compatible avec les portes de réfrigérateur dont les charnières sont à droite. Si la porte du réfrigérateur est équipée de charnières à gauche, il convient de déplacer les supports de montage et les rondelles à épaulement.

**Pour adapter le panneau de porte à une porte avec ouverture vers la gauche :**

**1. Déplacer le support de montage.**

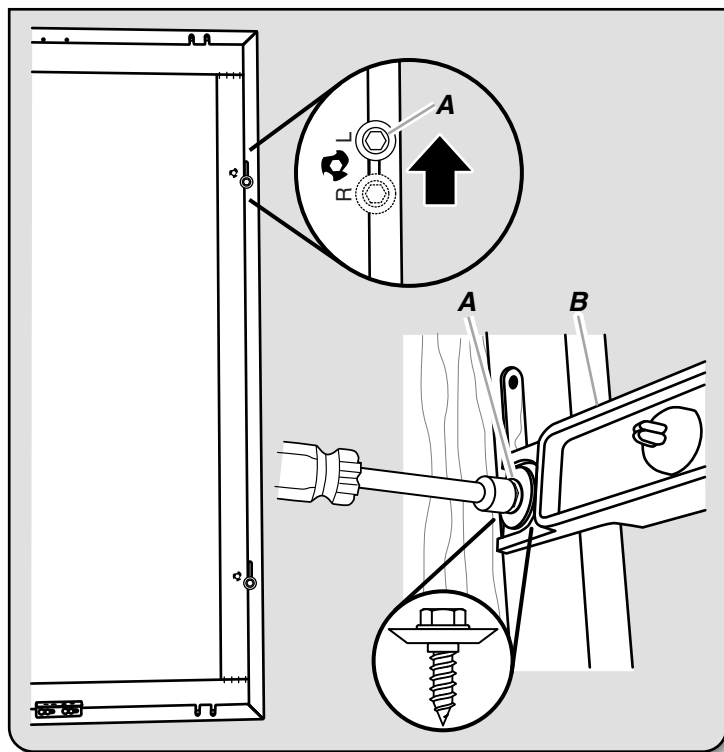


A. Le support de montage.

Démonter le support de montage et le remonter dans les avant-trous ménagés de l'autre côté du panneau.

**REMARQUE :** Le côté équipé du support de montage est désormais en haut du panneau de porte.

**2. Déplacer les rondelles à épaulement de la position R à la position L.**



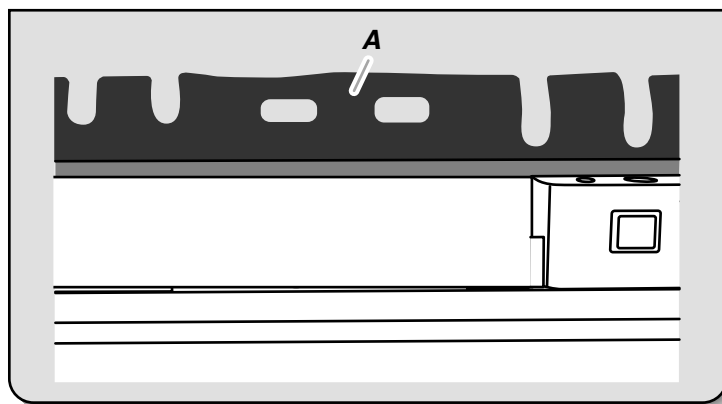
A. Rondelle à épaulement et vis pointue à tête hexagonale  
B. Cale d'installation

Retirer les vis et les rondelles à épaulement des trous marqués d'un "R". Remonter les rondelles à épaulement dans les avant-trous marqués d'un "L".

**IMPORTANT :** Utiliser la cale d'installation comme guide de profondeur.

**Installation des panneaux de porte**

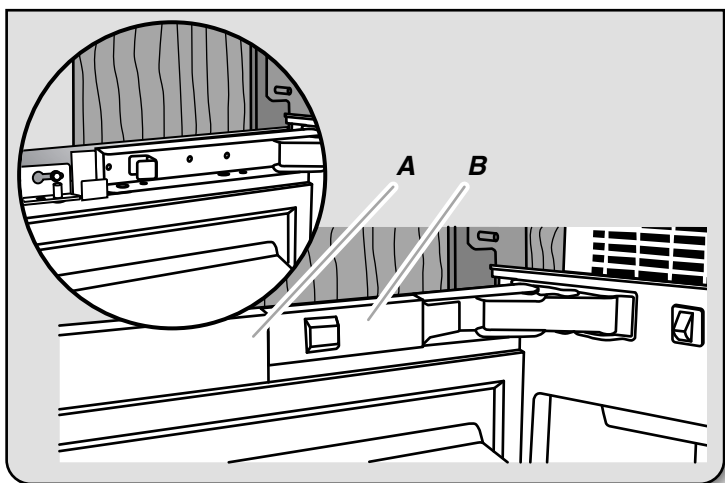
**1. Dégager le matériel de montage.**



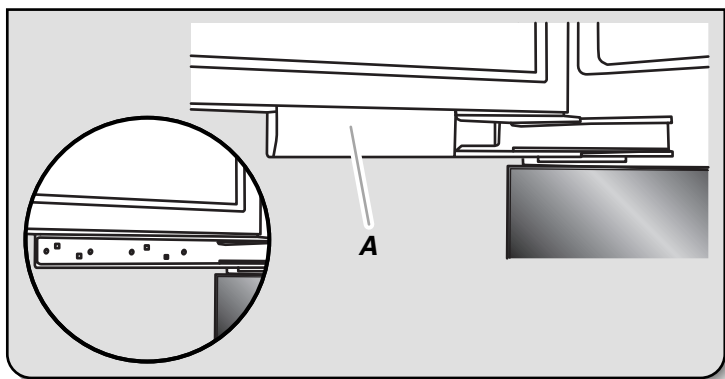
A. Pellicule de protection

Décoller la pellicule de protection du panneau de porte pour éviter de la coincer entre le panneau et la porte. Ne pas retirer complètement la pellicule avant d'avoir complètement terminé l'installation.

## 2. Retirer le cache des tiges de réglage de porte et les couvre-charnières.



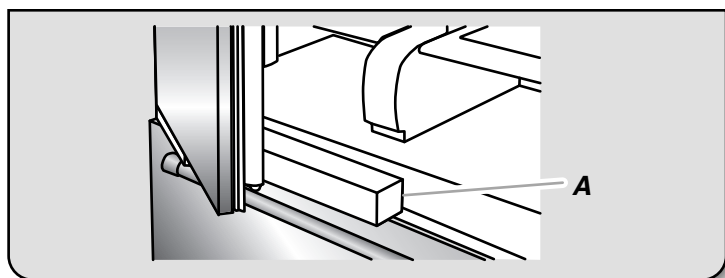
A. Cache des tiges de réglage de la porte  
B. Couvre-charnière supérieur



A. Couvre-charnière inférieur

Ouvrir les portes, puis retirer les couvre-charnières et le(s) cache(s) des tiges de réglage de porte pour dégager les trous de montage.

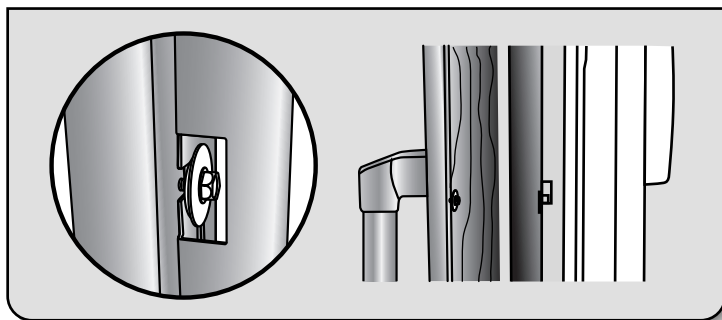
## 3. Blocage de la porte en position ouverte.



A. L'emballage en mousse

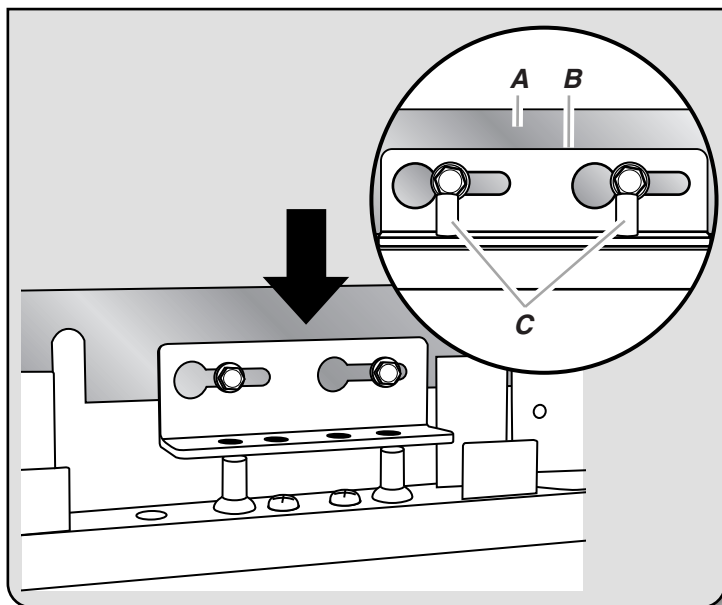
Utiliser l'emballage en mousse pour maintenir la porte ouverte pendant l'installation du panneau.

## 4. Fixer le panneau à la porte.



Aligner les deux rondelles à épaulement à l'arrière du panneau de porte avec les fentes en "J" sur le côté de la porte du réfrigérateur.

## 5. Abaisser le panneau sur les tiges.



A. Panneau de porte

B. Support supérieur du panneau

C. Tiges de réglage

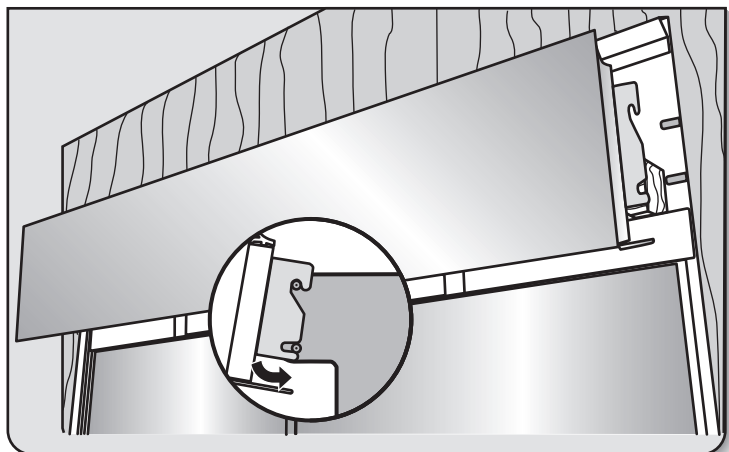
Glisser le panneau sur la porte et abaisser le support du panneau sur les tiges de réglage situées en haut de la porte.

## 6. Répéter.

Pour les modèles avec porte à double battant et côte à côte, répéter les étapes 2 à 5 pour installer le deuxième panneau de porte.

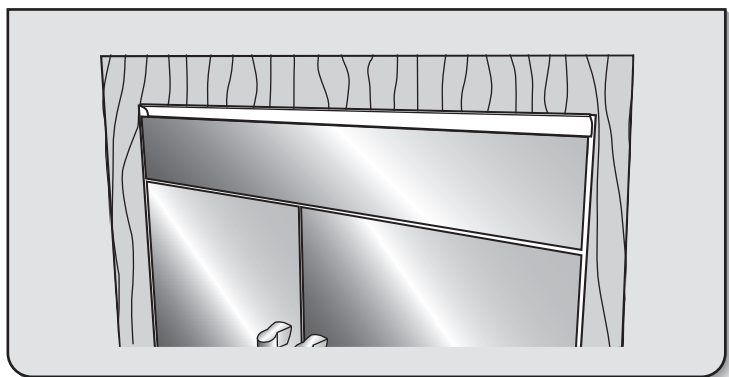
## Installation du panneau de la grille supérieure

### 1. Accrocher les supports du panneau sur les tiges de montage.



Tout en maintenant le panneau incliné, accrocher les supports de panneau sur les boulons de montage qui dépassent du sommet du réfrigérateur. Pousser ensuite le bas du panneau de la grille vers l'avant jusqu'à ce que le support s'emboîte.

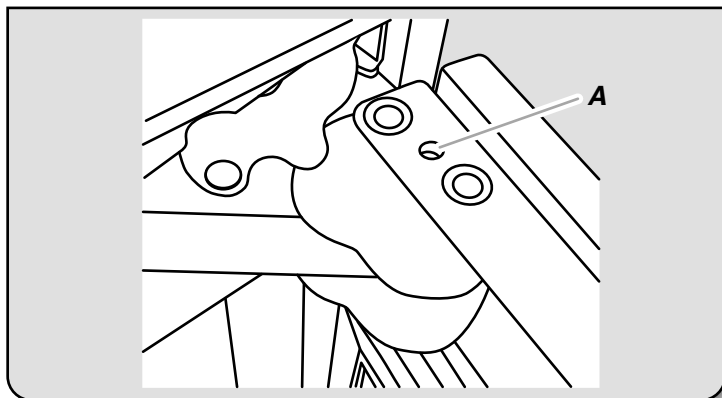
### 2. Aligner le panneau.



Desserrer les vis des supports de montage et déplacer ces derniers vers le haut ou le bas pour obtenir l'espacement correct entre les panneaux.

## Réglage du sens d'ouverture de la porte (facultatif)

### 1. Ouvrir la porte de moins de 90°. Insérer la goupille de butée de la porte. (facultatif)

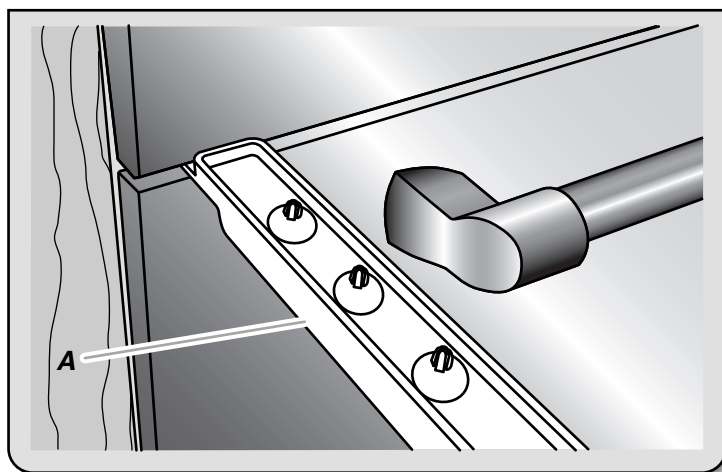


A. Trou pour goupille de butée de porte

Si l'ouverture standard de 110° de la porte est trop large, régler la goupille de butée de porte pour obtenir un débattement maximal de 90° de la porte. Insérer la goupille de butée de porte dans la charnière supérieure, au trou indiqué. À l'aide d'une clé hexagonale de 5/32", serrer la goupille de butée de la porte.

## Réglage des panneaux

### 1. Mesurer l'espace entre les panneaux.



A. Cale d'installation

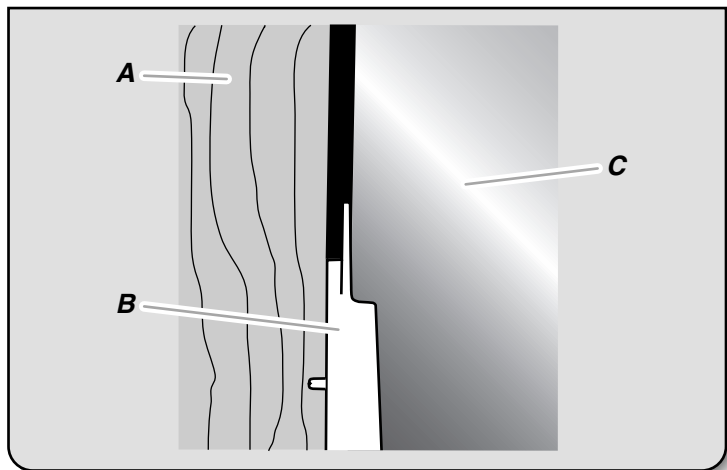
Un dégagement de 1/8" (3,2 mm) doit séparer chacun des deux panneaux. Utiliser la cale d'installation pour mesurer les espaces.

## ▲ MISE EN GARDE

### Risque de pincement

L'installation de panneaux de porte avec un espacement de moins de  $\frac{3}{8}$ " (0,95 cm) entre le panneau de porte et le placard adjacent augmente le risque de pincement potentiel.

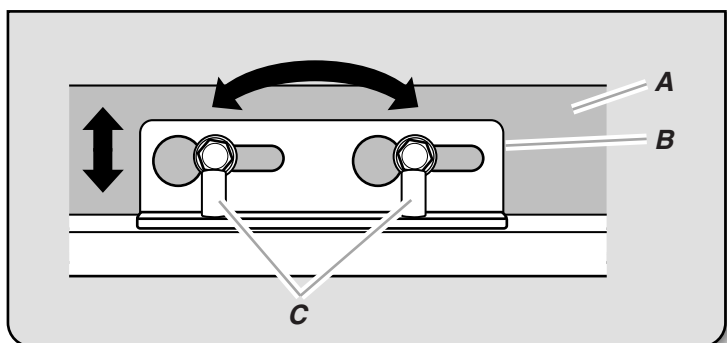
## 2. Mesurer les espaces entre les panneaux et les placards



A. Placard adjacent  
B. Cale d'installation  
C. Panneau sur porte

L'espace entre le panneau et les placards adjacents doit être de  $\frac{3}{8}$ " (0,95 cm). Utiliser la cale d'installation pour mesurer les espaces.

## 3. Régler les panneaux.



A. Panneau de porte  
B. Support supérieur du panneau  
C. Tiges de réglage

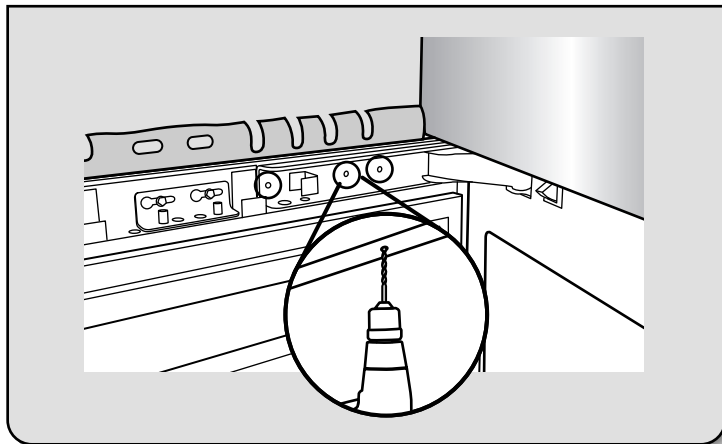
Régler le panneau et NON la porte si des réglages sont nécessaires pour l'alignement ou l'espacement.

- Utiliser une clé hexagonale de  $\frac{5}{32}$ " pour élever ou abaisser les tiges de réglage afin de monter ou descendre le panneau de porte.
- Desserrer le support de montage en haut de la porte pour déplacer le panneau à droite ou à gauche dans le support de montage.

## 4. Serrer toutes les vis du support.

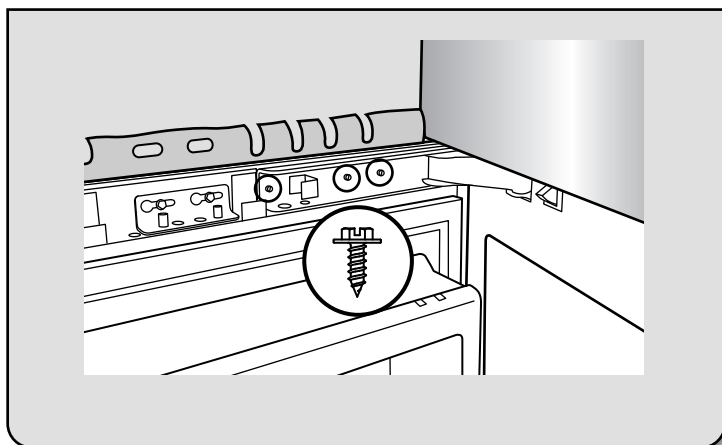
## Fixation des panneaux

### 1. Percer des avant-trous.



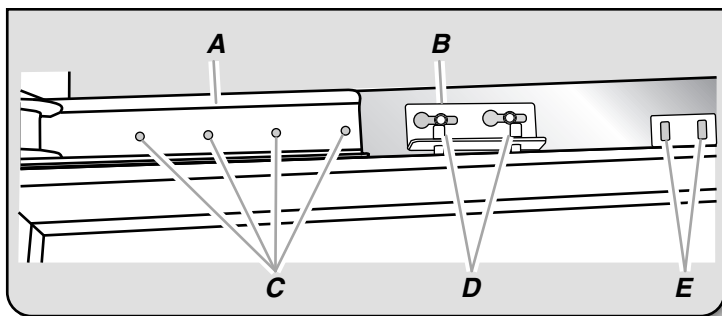
Percer des avant-trous au moyen d'un foret de  $\frac{3}{32}$ " dans le ou les panneau(x) de porte en passant par les trous des charnières inférieure et supérieure.

### 2. Fixer les charnières aux panneaux.



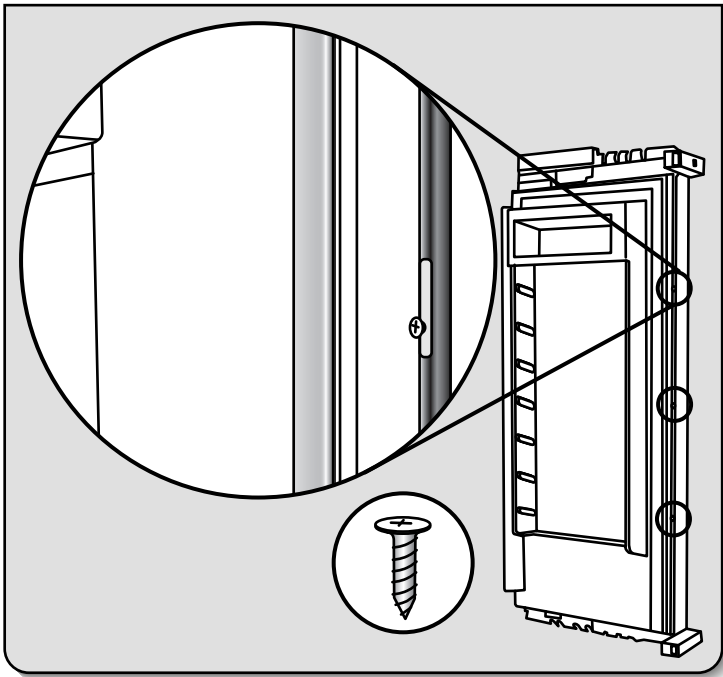
À l'aide des vis à tête hexagonale fendue, fixer les charnières supérieure et inférieure aux panneaux de porte. Bien serrer toutes les vis des panneaux de porte.

- Modèles de 36" à congélateur en bas uniquement - Utiliser les vis à tête hexagonale pour fixer le panneau au support de porte supplémentaire.



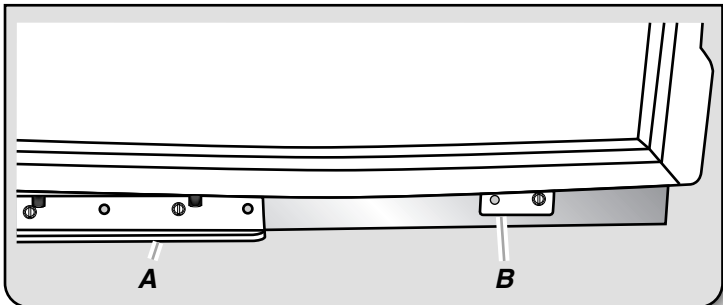
A. Charnière supérieure  
A. Support de montage  
C. Trous pour les vis  
D. Tiges de réglage de porte  
E. Trous pour les vis (modèles de 36" uniquement)

### 3. Installer le panneau de porte du côté des charnières.



Percer des avant-trous dans la hauteur du côté charnières de la porte. Fixer le panneau à la porte au moyen des vis à tête Phillips.

### 4. Fixer les supports inférieurs aux panneaux.

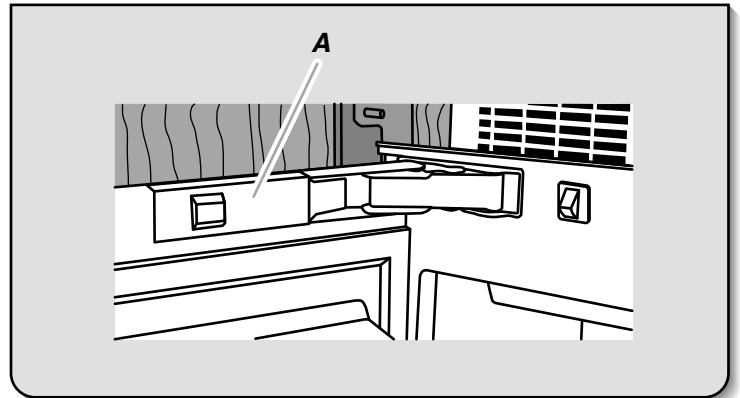


A. Charnière inférieure  
B. Support de montage

À l'aide des vis à tête hexagonale fendue, fixer le support de montage, situé en bas des portes, aux panneaux.

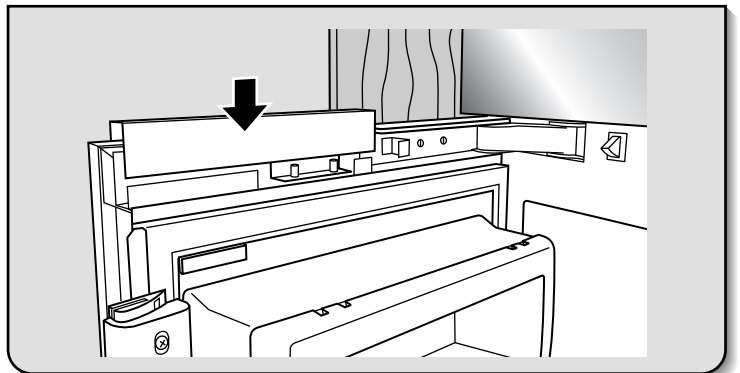
## Achever l'installation

### 1. Remonter les couvre-charnières.



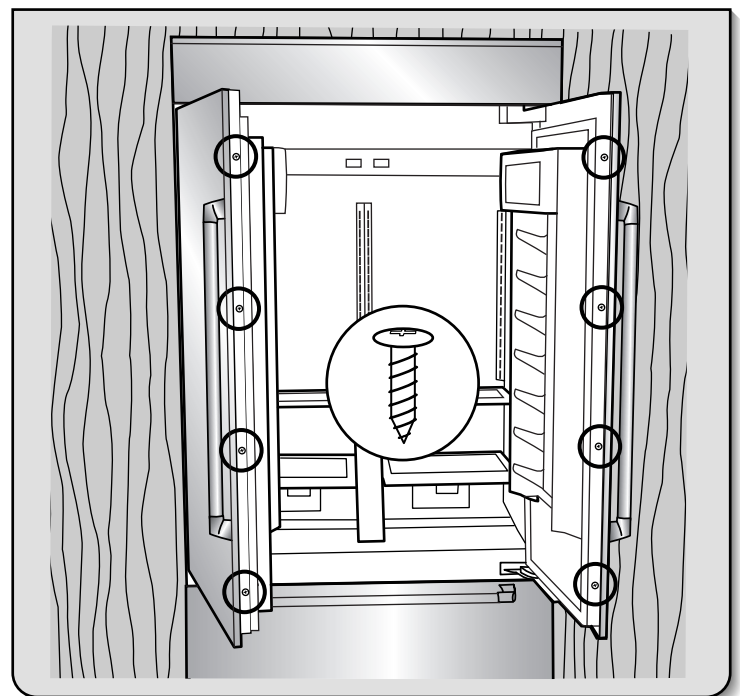
A. Couvre-charnière supérieur

### 2. Remonter le cache des tiges de réglage de la porte



Emboîter le cache des tiges de réglage.

### 3. Installer les garnitures côté poignées.



Au moyen des vis à tête Phillips, fixer les garnitures côté poignées (fournies avec le réfrigérateur) aux portes.

# GARANTIE LIMITÉE DES APPAREILS DE RÉFRIGÉRATION JENN-AIR®

ATTACHEZ ICI VOTRE REÇU DE VENTE. UNE PREUVE D'ACHAT EST OBLIGATOIRE POUR OBTENIR L'APPLICATION DE LA GARANTIE.

Lorsque vous appelez le centre d'eXpérience de la clientèle, veuillez garder à disposition les renseignements suivants :

- Nom, adresse et numéro de téléphone
- Numéros de modèle et de série
- Une description claire et détaillée du problème rencontré
- Une preuve d'achat incluant le nom et l'adresse du marchand ou du détaillant

## SI VOUS AVEZ BESOIN DE SERVICE :

1. Avant de nous contacter pour obtenir un dépannage, veuillez déterminer si des réparations sont nécessaires pour votre produit. Certains problèmes peuvent être résolus sans intervention de dépannage. Prenez quelques minutes pour parcourir la section Dépannage ou Résolution de problèmes du guide d'utilisation et d'entretien, scannez le code QR ci-contre avec votre téléphone intelligent pour accéder à des ressources supplémentaires, ou rendez-vous sur le site <http://www.jennair.ca>.
2. Tout service sous garantie doit être effectué exclusivement par nos fournisseurs de dépannage autorisés Jenn-Air. Aux E.-U. et au Canada, dirigez toutes vos demandes de service sous garantie au

**Centre d'eXpérience de la clientèle Jenn-Air**  
**1-800-JENNAIR (1-800-536-6247)**



<http://www.jennair.ca>

Si vous résidez à l'extérieur du Canada et des 50 États des États-Unis, contactez votre marchand Jenn-Air autorisé pour déterminer si une autre garantie s'applique.

## GARANTIE LIMITÉE DE DOUZE ANS

### CE QUI EST COUVERT

#### GARANTIE LIMITÉE DE DEUX ANS

Pendant deux ans à compter de la date d'achat, lorsque ce gros appareil ménager est installé, utilisé et entretenu conformément aux instructions jointes à ou fournies avec le produit, la marque Jenn-Air de Whirlpool Corporation ou Whirlpool Canada, LP (ci-après désignées "Jenn-Air") décidera à sa seule discrétion de remplacer le produit ou de couvrir le coût des pièces spécifiées par l'usine et de la main-d'œuvre nécessaires pour corriger les vices de matériaux ou de fabrication qui existaient déjà lorsque ce gros appareil ménager a été acheté. S'il est remplacé, l'appareil sera couvert pour la période restant à courir de la garantie limitée d'un an du produit d'origine.

#### GARANTIE LIMITÉE DE LA TROISIÈME À LA SIXIÈME ANNÉE INCLUSIVEMENT (SYSTÈME DE RÉFRIGÉRATION SCÉLLÉ UNIQUEMENT)

De la troisième à la sixième année inclusivement à compter de la date d'achat, lorsque ce gros appareil ménager est installé, utilisé et entretenu conformément aux instructions jointes à ou fournies avec le produit, la marque Jenn-Air paiera pour les pièces de rechange spécifiées par l'usine et de la main-d'œuvre nécessaires pour corriger les vices de matériaux ou de fabrication sur le système de réfrigération scellé qui existaient déjà lorsque ce gros appareil ménager a été acheté pour les pièces suivantes : compresseur, évaporateur, condenseur, sècheuse et conduits de connexion.

#### GARANTIE LIMITÉE DE LA SEPTIÈME À LA DOUZIÈME ANNÉE INCLUSIVEMENT (SYSTÈME DE RÉFRIGÉRATION SCÉLLÉ UNIQUEMENT - MAIN-D'ŒUVRE NON COMPRISE)

De la septième à la douzième année inclusivement à compter de la date d'achat, lorsque ce gros appareil ménager est installé, utilisé et entretenu conformément aux instructions jointes à ou fournies avec le produit, la marque Jenn-Air paiera pour les pièces de rechange spécifiées par l'usine pour corriger les vices de matériaux ou de fabrication sur le système de réfrigération scellé qui existaient déjà lorsque ce gros appareil ménager a été acheté pour les pièces suivantes : compresseur, évaporateur, condenseur, sècheuse et conduits de connexion.

LE SEUL ET EXCLUSIF RECOURS DU CLIENT DANS LE CADRE DE LA PRÉSENTE GARANTIE LIMITÉE CONSISTE EN LA RÉPARATION PRÉVUE PAR LA PRÉSENTE. Le service doit être fourni par une compagnie de service désignée par Jenn-Air. Cette garantie limitée est valide uniquement aux États-Unis ou au Canada et s'applique exclusivement lorsque le gros appareil ménager est utilisé dans le pays où il a été acheté. La présente garantie limitée est valable à compter de la date d'achat initial par le consommateur. Une preuve de la date d'achat initial est exigée pour obtenir un dépannage dans le cadre de la présente garantie limitée.

### CE QUI N'EST PAS COUVERT

1. Usage commercial, non résidentiel ou par plusieurs familles, ou non-respect des instructions de l'utilisateur, de l'opérateur ou des instructions d'installation.
2. Visite d'instruction à domicile pour montrer à l'utilisateur comment utiliser l'appareil.
3. Visites de service pour rectifier une installation ou un entretien fautifs du produit, une installation non conforme aux codes d'électricité ou de plomberie, ou la rectification de l'installation électrique ou de la plomberie du domicile (ex : câblage électrique, fusibles ou tuyaux d'arrivée d'eau du domicile).
4. Pièces consommables (ex : ampoules, batteries, filtres à air ou à eau, solutions de conservation, etc.).
5. Dommages causés par : accident, mésusage, abus, incendie, inondations, catastrophe naturelle ou l'utilisation de produits non approuvés par Jenn-Air.
6. Réparations aux pièces ou systèmes dans le but de rectifier un dommage ou des défauts résultant d'une réparation, altération ou modification non autorisée faite à l'appareil.
7. Défauts d'apparence, notamment les éraflures, traces de choc, fissures ou tout autre dommage subi par le fini de l'appareil ménager, à moins que ces dommages ne résultent de vices de matériaux ou de fabrication et ne soient signalés à Jenn-Air dans les 30 jours suivant la date d'achat.
8. Décoloration, rouille ou oxydation des surfaces résultant d'environnements caustiques ou corrosifs incluant des concentrations élevées de sel, un haut degré d'humidité ou une exposition à des produits chimiques (exemples non exhaustifs).
9. Perte d'aliments ou de médicaments due à la défaillance du produit.
10. Enlèvement ou livraison. Ce produit est conçu pour être réparé à l'intérieur du domicile.
11. Frais de déplacement et de transport pour le dépannage/la réparation dans une région éloignée où une compagnie de service Jenn-Air autorisée n'est pas disponible.
12. Retrait ou réinstallation d'appareils inaccessibles ou de dispositifs préinstallés (ex : garnitures, panneaux décoratifs, plancher, meubles, îlots de cuisine, plans de travail, panneaux de gypse, etc.) qui entravent le dépannage, le retrait ou le remplacement du produit.
13. Service et pièces pour des appareils dont les numéros de série et de modèle originaux ont été enlevés, modifiés ou ne peuvent pas être facilement identifiés.

**Le coût d'une réparation ou d'un remplacement dans le cadre de ces circonstances exclues est à la charge du client.**

---

**CLAUSE D'EXONÉRATION DE RESPONSABILITÉ AU TITRE DES GARANTIES IMPLICITES**

LES GARANTIES IMPLICITES, Y COMPRIS LES GARANTIES APPLICABLES DE QUALITÉ MARCHANDE OU D'APTITUDE À UN USAGE PARTICULIER, SONT LIMITÉES À UN AN OU À LA PLUS COURTE PÉRIODE AUTORISÉE PAR LA LOI. Certains États et provinces ne permettent pas de limitation sur la durée des garanties implicites de qualité marchande ou d'aptitude à un usage particulier, de sorte que la limitation ci-dessus peut ne pas être applicable dans votre cas. Cette garantie vous confère des droits juridiques spécifiques et vous pouvez également jouir d'autres droits qui peuvent varier d'une juridiction à l'autre.

---

**EXONÉRATION DE RESPONSABILITÉ DANS LES DOMAINES NON COUVERTS PAR LA GARANTIE**

Jenn-Air décline toute responsabilité au titre de la qualité, de la durabilité ou en cas de dépannage ou de réparation nécessaire sur ce gros appareil ménager autre que les responsabilités énoncées dans la présente garantie. Si vous souhaitez une garantie plus étendue ou plus complète que la garantie limitée fournie avec ce gros appareil ménager, adressez-vous à Jenn-Air ou à votre détaillant pour obtenir les modalités d'achat d'une garantie étendue.

---

**LIMITATION DES RECOURS; EXCLUSION DES DOMMAGES FORTUITS OU INDIRECTS**

LE SEUL ET EXCLUSIF RECOURS DU CLIENT DANS LE CADRE DE LA PRÉSENTE GARANTIE LIMITÉE CONSISTE EN LA RÉPARATION PRÉVUE PAR LA PRÉSENTE. JENN-AIR N'ASSUME AUCUNE RESPONSABILITÉ POUR LES DOMMAGES FORTUITS OU INDIRECTS. Certains États et certaines provinces ne permettent pas l'exclusion ou la limitation des dommages fortuits ou indirects de sorte que ces limitations et exclusions peuvent ne pas être applicables dans votre cas. Cette garantie vous confère des droits juridiques spécifiques et vous pouvez également jouir d'autres droits qui peuvent varier d'une juridiction à l'autre.

---

