

JENN-AIR. 32" (81.3 cm) Wall-Mount Perimetric Range Hood

PRODUCT MODEL NUMBERS

JXP5032W

ELECTRICAL REQUIREMENTS

- A 120 Volt, 60 Hz., AC only, 15-amp, fused electrical circuit is required.

VENTING REQUIREMENTS

This range hood is factory set for 8" (20.3 cm) round venting through the roof or wall. An 8" (20.3 cm) round vent system is needed for installation (not included). To vent through the wall, a 90° elbow is needed.

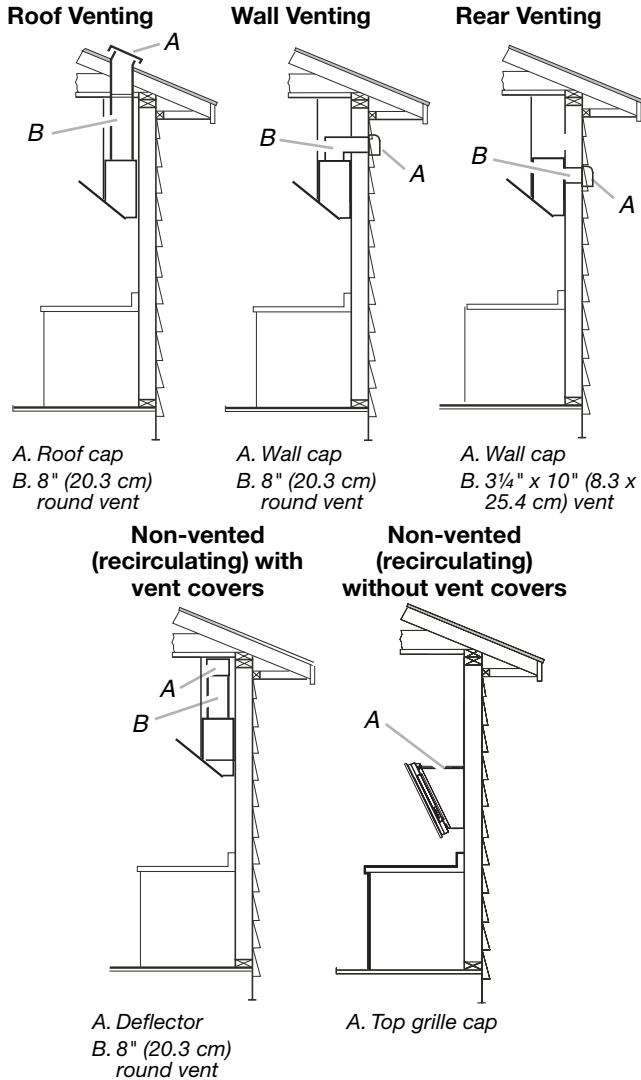
This range hood can also be set for 3¼" x 10" (8.3 x 25.4 cm) rectangular venting out the back using the 3¼" x 10" (8.3 x 25.4 cm) rectangular damper (supplied). See the "Connect Vent System" section for details for installing the damper and vent system.

NOTE: Flexible vent is not recommended. Flexible vent creates back pressure and air turbulence that greatly reduce performance.

NOTE: This hood can be installed without the chimney covers when venting directly out the back or when using the recirculation kit with the top grille cap. See "For non-vented (recirculating) installations without vent only:" section.



For non-vented (recirculating) installations

If it is not possible to vent cooking fumes and vapors to the outside, the hood can be used in the non-vented (recirculating) version, fitting a charcoal filter and the deflector for installations using vent covers or fitting a charcoal filter and top grille cap for installations without the vent covers.



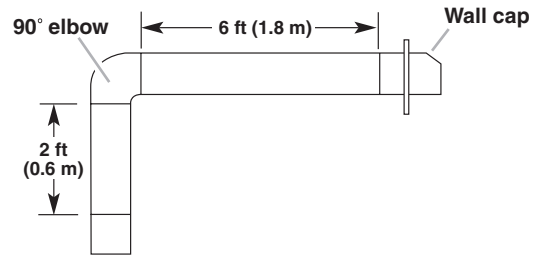
Calculating Vent System Length

To calculate the length of the system you need, add the equivalent feet (meters) for each vent piece used in the system.

Vent Piece	8" (20.3 cm) Round	
45° elbow	2.5 ft (0.8 m)	
90° elbow	5.0 ft (1.5 m)	

Maximum equivalent vent length is 35 ft (10.7 m).

Example Vent System



The following example falls within the maximum vent length of 35 ft (10.7 m).

1 - 90° elbow	= 5.0 ft (1.5 m)
1 - wall cap	= 0.0 ft (0.0 m)
8 ft (2.4 m) straight	= 8.0 ft (2.4 m)
System length	= 13 ft (3.9 m)

LOCATION REQUIREMENTS

IMPORTANT: Observe all governing codes and ordinances. Have a qualified technician install the range hood. It is the installer's responsibility to comply with installation clearances specified on the model/serial rating plate. The model/serial rating plate is located behind the left filter on the rear wall of the vent hood.

Canopy hood location should be away from strong draft areas, such as windows, doors and strong heating vents.

Cabinet opening dimensions that are shown must be used. Given dimensions provide minimum clearance.

Grounded electrical outlet is required. See "Electrical Requirements" section.

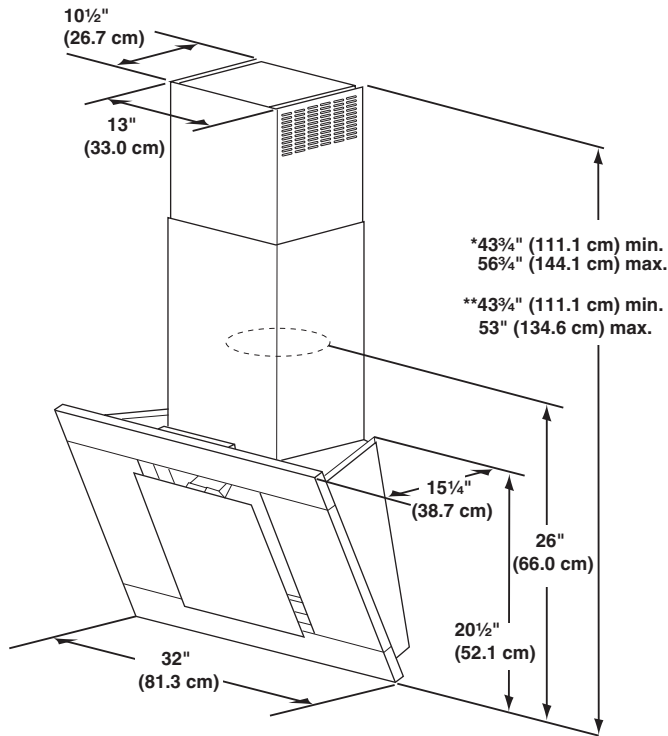
The canopy hood is factory set for venting through the roof or wall. For non-vented (recirculating) installation see "Non-vented (recirculating) Installations" in "Prepare Location" section. Recirculation Kit Part Number W10272062 is available from your dealer or an authorized parts distributor.

All openings in ceiling and wall where canopy hood will be installed must be sealed.

For Mobile Home Installations

The installation of this range hood must conform to the Manufactured Home Construction Safety Standards, Title 24 CFR, Part 328 (formerly the Federal Standard for Mobile Home Construction and Safety, Title 24, HUD, Part 280) or when such standard is not applicable, the standard for Manufactured Home Installation 1982 (Manufactured Home Sites, Communities and Setups) ANSI A225.1/NFPA 501A, or latest edition, or with local codes.

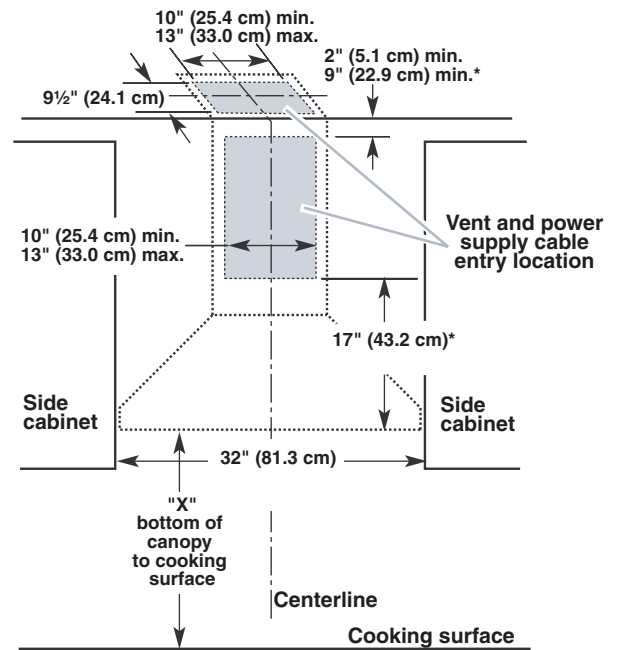
PRODUCT DIMENSIONS



*For non-vented (recirculating) installations

**For vented installations

CABINET DIMENSIONS



*For non-vented (recirculating) installations

IMPORTANT:

Minimum distance "X": 18" (45.7 cm) from electric cooking surface.

Minimum distance "X": 22" (55.9 cm) from gas cooking surfaces.

Suggested maximum distance "X": 24" (61.0 cm)

For vented installations, the chimneys can be adjusted for ceilings between 7' 11" (2.4 m) and 9' 3" (2.8 m).

For non-vented (recirculating) installations, the chimneys can be adjusted for ceilings between 7' 11" (2.4 m) and 9' 7" (2.9 m).

***NOTE:** The range hood chimneys are adjustable and designed to meet varying ceiling or soffit heights depending on the distance "X" between the bottom of the range hood and the cooking surface. For higher ceilings, a Chimney Extension Kit Part Number W10272075 (stainless) or W10272074 (white) is available from your dealer or an authorized parts distributor. The chimney extension replaces the upper chimney shipped with the range hood.