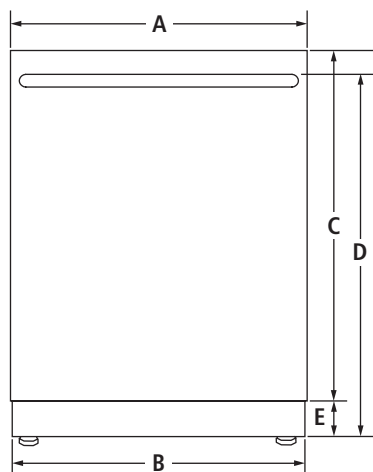


DISHWASHERS

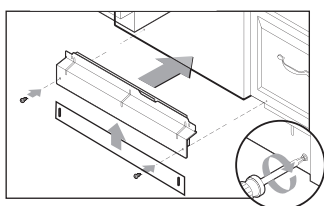
JDTSS246G, JDTSS244G – 23⁷/₈" x 33¹/₂" x 28¹⁹/₃₂" (including handle)

JDTSS245G, JDTSS243G – 23⁷/₈" x 33¹/₂" x 24" (not including handle)

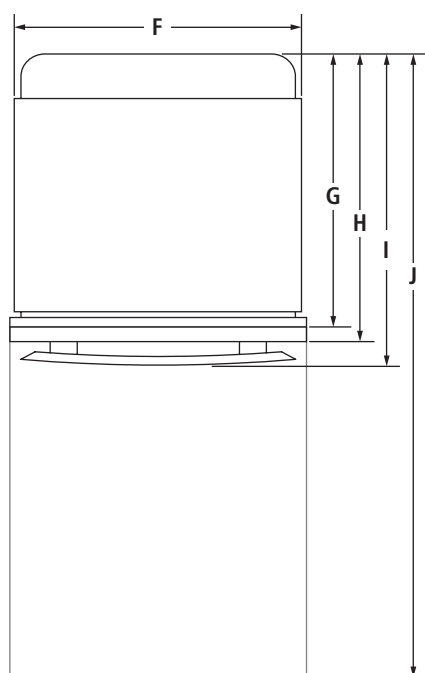
PRODUCT DIMENSIONS



FRONT VIEW



ADJUSTABLE TOE KICK



TOP VIEW

MODEL #		JDTSS246G JDTSS244G		JDTSS245G JDTSS243G	
		in	cm	in	cm
A	Width of door	23 ⁷ / ₈	60.6	23 ⁷ / ₈	60.6
B	Width of toe kick	23 ¹ / ₂	59.7	23 ¹ / ₂	59.7
C	Height of door Pro-Style® Stainless	30	76.2	—	—
	Euro-Style Stainless	30	76.2	—	—
	Custom panel (¾"/1.9 cm)	—	—	30	76.2
D	Height to top of handle Pro-Style® Stainless	31 ¹⁷ / ₃₂	80.1	—	—
	Euro-Style Stainless	31 ¹⁷ / ₃₂	80.1	—	—
	Custom panel (¾"/1.9 cm)	—	—	*	*
E	Height of adjustable toe kick (min.-max.)	3 ¹ / ₂ - 4 ¹ / ₄	8.8- 10.6	3 ¹ / ₂ - 4 ¹ / ₄	8.8- 10.6
F	Width of recessed dishwasher	23 ⁷ / ₈	60.6	23 ⁷ / ₈	60.6
G	Depth with tub flange	21	53.3	21	53.3
H	Depth with door Pro-Style® Stainless	24 ¹ / ₂	62.2	—	—
	Euro-Style Stainless	24 ¹ / ₂	62.2	—	—
	Custom panel (¾"/1.9 cm)	—	—	24	60.0
I	Depth with handle Pro-Style® Stainless	29 ³ / ₃₂	73.9	—	—
	Euro-Style Stainless	28 ¹⁹ / ₃₂	72.6	—	—
	Custom panel (¾"/1.9 cm)	—	—	*	*
J	Depth with door fully open	49 ¹ / ₂	125.7	49 ¹ / ₂	125.7

*For custom panel models, this depends on handle chosen.

IMPORTANT: Dimensional specifications are provided for planning purposes only.

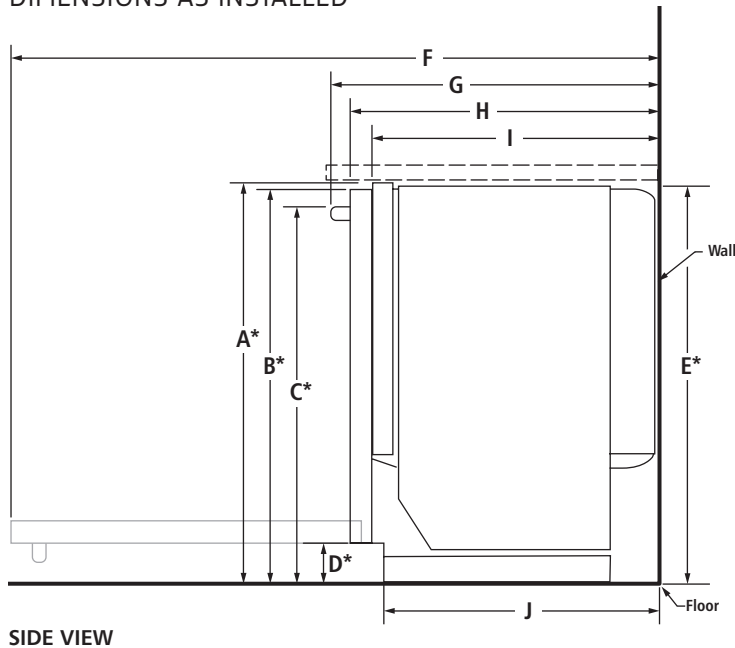
Do not make any cutouts based on this information. Refer to the Installation or Use & Care Guide before selecting cabinetry, verifying electrical/gas connections, making cutouts or beginning installation. All Jenn-Air® appliances are appropriately UL, CUL or CSA approved.

DISHWASHERS

JDTSS246G, JDTSS244G – 23⁷/₈" x 33¹/₂" x 28¹/₃₂" (including handle)

JDTSS245G, JDTSS243G – 23⁷/₈" x 33¹/₂" x 24" (not including handle)

DIMENSIONS AS INSTALLED



SIDE VIEW

MODEL #		JDTSS246G JDTSS245G JDTSS244G JDTSS243G		
		in	cm	
A*	Height to top of tub flange (min.)	33 ¹ / ₂	85.1	
B*	Height to top of door (min.)	33 ³ / ₄	85.7	
C*	Height to top of handle (min.) Pro-Style® Stainless	31 ¹⁷ / ₃₂	80.1	
	Euro-Style Stainless	31 ¹⁷ / ₃₂	80.1	
	Custom panel (¾"/1.9 cm)	†	†	
D*	Height to bottom of door	3 ⁵ / ₈	9.4	
E*	Height of recessed dishwasher (min.)	33 ⁵ / ₈	85.5	
F	Depth with door fully open (min.)	49 ¹ / ₂	125.7	
	G	Depth with handle (min.) Pro-Style® Stainless	29 ³ / ₃₂	73.9
		Euro-Style Stainless	28 ¹⁹ / ₃₂	72.6
Custom panel (¾"/1.9 cm)		†	†	
H	Depth with door (min.) Pro-Style® Stainless	26 ¹ / ₂	67.3	
	Euro-Style Stainless	26 ¹ / ₂	67.3	
	Custom panel (¾"/1.9 cm)	24 ¹ / ₂	62.2	
I	Depth with tub flange (min.)	22 ⁵ / ₈	57.4	
J	Depth with toe kick (min.)	20 ⁷ / ₈	52.9	

*With wheels removed. Add up to 1" (2.5 cm) to height with wheels and leg levelers fully extended.

†For custom panel models, this depends on handle chosen.

IMPORTANT: Dimensional specifications are provided for planning purposes only. Do not make any cutouts based on this information. Refer to the Installation or Use & Care Guide before selecting cabinetry, verifying electrical/gas connections, making cutouts or beginning installation. All Jenn-Air® appliances are appropriately UL, CUL or CSA approved.

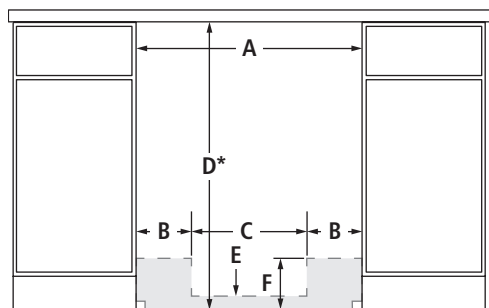


DISHWASHERS

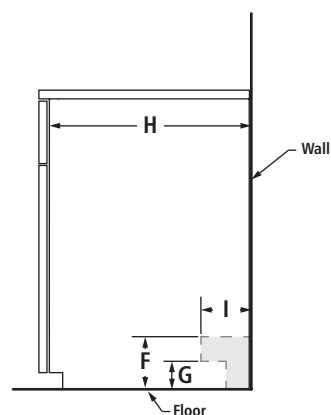
JDTSS246G, JDTSS244G – 23⁷/₈" x 33¹/₂" x 28¹⁹/₃₂" (including handle)

JDTSS245G, JDTSS243G – 23⁷/₈" x 33¹/₂" x 24¹/₂" (not including handle)

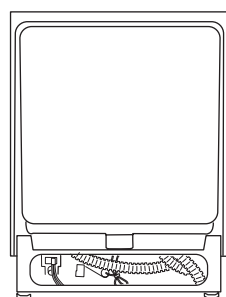
OPENING/CLEARANCE DIMENSIONS



FRONT VIEW



SIDE VIEW



BACK VIEW

MODEL #		JDTSS246G JDTSS245G JDTSS244G JDTSS243G	
		in	cm
A	Width (min.)	24	61.0
B	Width of possible utility installation area (back wall)	6 ³ / ₄	17.2
C	Width of clear area (back wall)	10 ¹ / ₂	26.7
D*	Height with wheels removed (min.)	34	86.4
E	Height of possible utility installation area (back wall)	2 ¹ / ₄	6.4
F	Height of possible utility installation area (back/side wall)	6 ¹ / ₄	15.9
G	Height of clear area (side wall)	3	7.6
H	Depth (min.)	24	61.0
I	Depth of utility location (side wall)	4	10.2

Electrical, water and drain connections may be installed in shaded areas

Recommended drain connection location – closest to sink	1 ¹ / ₂ dia.	3.8 dia.
Recommended electrical connection location – right-hand side or back wall	1 ¹ / ₂ dia.	3.8 dia.
Recommended water connection location – left-hand side or back wall	½ dia.	1.3 dia.

*Measured from the lowest point on the underside of countertop.

ELECTRICAL REQUIREMENTS

20-volt, 60 Hz, AC-only, 15- or 20-amp. fused electrical supply. Copper wire only. A time delay fuse or circuit breaker and separate circuit is recommended.

WATER SUPPLY REQUIREMENTS

120°F (49°C) hot water supply with water pressure between 20 and 120 psi (138 and 862 kPa) is required. If you have questions about your water pressure, call a licensed, qualified plumber.

DRAIN REQUIREMENTS

Connect drain hose to waste tee or disposer inlet above drain trap. Maximum drain hose length 12' (3.7 m).

LOCATION REQUIREMENTS

Corner locations require a 2" (5.1 cm) minimum clearance between the side of the dishwasher door and the wall or cabinet.

IMPORTANT: Dimensional specifications are provided for planning purposes only.

Do not make any cutouts based on this information. Refer to the Installation or Use & Care Guide before selecting cabinetry, verifying electrical/gas connections, making cutouts or beginning installation. All Jenn-Air® appliances are appropriately UL, CUL or CSA approved.

