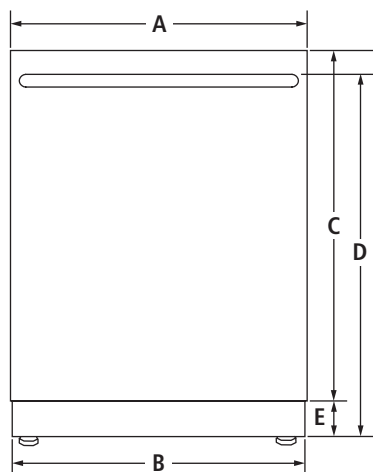


## DISHWASHERS

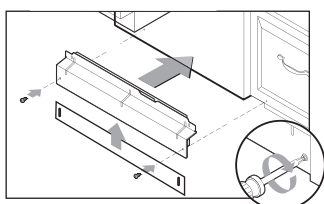
JDTSS246G, JDTSS244G – 23<sup>7</sup>/<sub>8</sub>" x 33<sup>1</sup>/<sub>2</sub>" x 28<sup>19</sup>/<sub>32</sub>" (including handle)

JDTSS245G, JDTSS243G – 23<sup>7</sup>/<sub>8</sub>" x 33<sup>1</sup>/<sub>2</sub>" x 24" (not including handle)

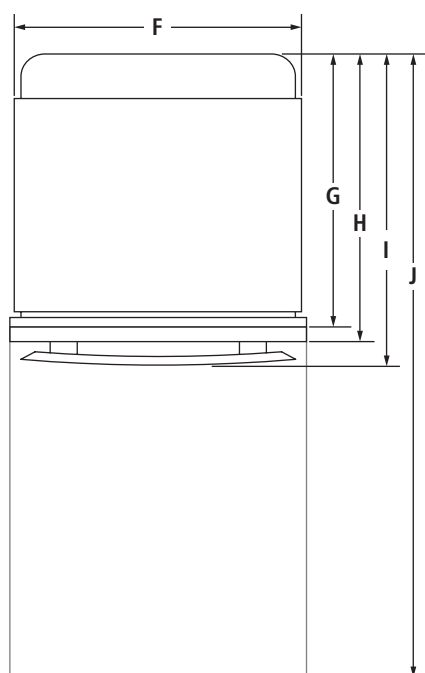
### PRODUCT DIMENSIONS



FRONT VIEW



ADJUSTABLE TOE KICK



TOP VIEW

MODEL #		JDTSS246G JDTSS244G		JDTSS245G JDTSS243G	
		in	cm	in	cm
<b>A</b>	Width of door	23 <sup>7</sup> / <sub>8</sub>	60.6	23 <sup>7</sup> / <sub>8</sub>	60.6
<b>B</b>	Width of toe kick	23 <sup>1</sup> / <sub>2</sub>	59.7	23 <sup>1</sup> / <sub>2</sub>	59.7
<b>C</b>	Height of door Pro-Style® Stainless	30	76.2	—	—
	Euro-Style Stainless	30	76.2	—	—
	Custom panel (¾"/1.9 cm)	—	—	30	76.2
<b>D</b>	Height to top of handle Pro-Style® Stainless	31 <sup>17</sup> / <sub>32</sub>	80.1	—	—
	Euro-Style Stainless	31 <sup>17</sup> / <sub>32</sub>	80.1	—	—
	Custom panel (¾"/1.9 cm)	—	—	*	*
<b>E</b>	Height of adjustable toe kick (min.-max.)	3 <sup>1</sup> / <sub>2</sub> - 4 <sup>1</sup> / <sub>4</sub>	8.8- 10.6	3 <sup>1</sup> / <sub>2</sub> - 4 <sup>1</sup> / <sub>4</sub>	8.8- 10.6
<b>F</b>	Width of recessed dishwasher	23 <sup>7</sup> / <sub>8</sub>	60.6	23 <sup>7</sup> / <sub>8</sub>	60.6
<b>G</b>	Depth with tub flange	21	53.3	21	53.3
<b>H</b>	Depth with door Pro-Style® Stainless	24 <sup>1</sup> / <sub>2</sub>	62.2	—	—
	Euro-Style Stainless	24 <sup>1</sup> / <sub>2</sub>	62.2	—	—
	Custom panel (¾"/1.9 cm)	—	—	24	60.0
<b>I</b>	Depth with handle Pro-Style® Stainless	29 <sup>3</sup> / <sub>32</sub>	73.9	—	—
	Euro-Style Stainless	28 <sup>19</sup> / <sub>32</sub>	72.6	—	—
	Custom panel (¾"/1.9 cm)	—	—	*	*
<b>J</b>	Depth with door fully open	49 <sup>1</sup> / <sub>2</sub>	125.7	49 <sup>1</sup> / <sub>2</sub>	125.7

\*For custom panel models, this depends on handle chosen.

**IMPORTANT:** Dimensional specifications are provided for planning purposes only.

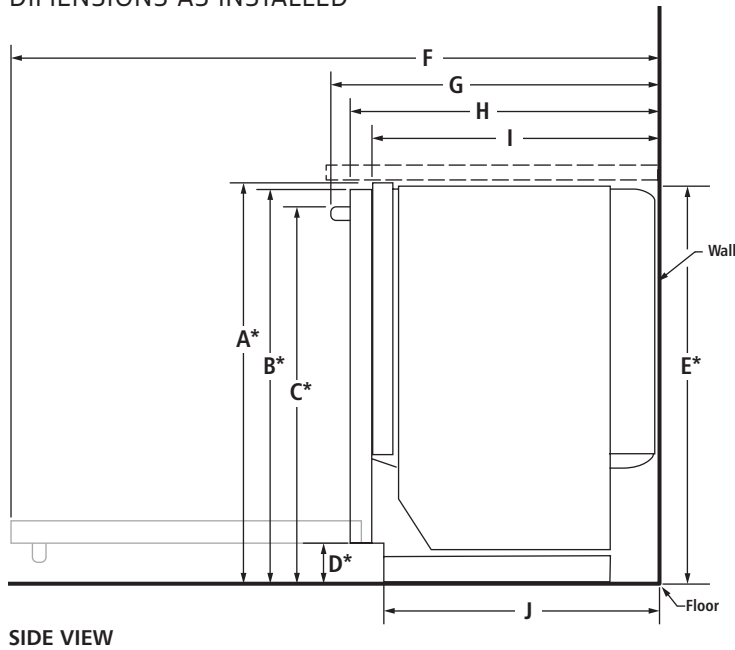
**Do not make any cutouts based on this information.** Refer to the Installation or Use & Care Guide before selecting cabinetry, verifying electrical/gas connections, making cutouts or beginning installation. All Jenn-Air® appliances are appropriately UL, CUL or CSA approved.

DISHWASHERS

JDTSS246G, JDTSS244G – 23<sup>7</sup>/<sub>8</sub>" x 33<sup>1</sup>/<sub>2</sub>" x 28<sup>1</sup>/<sub>32</sub>" (including handle)

JDTSS245G, JDTSS243G – 23<sup>7</sup>/<sub>8</sub>" x 33<sup>1</sup>/<sub>2</sub>" x 24" (not including handle)

DIMENSIONS AS INSTALLED



SIDE VIEW

MODEL #		JDTSS246G JDTSS245G JDTSS244G JDTSS243G		
		in	cm	
A*	Height to top of tub flange (min.)	33 <sup>1</sup> / <sub>2</sub>	85.1	
B*	Height to top of door (min.)	33 <sup>3</sup> / <sub>4</sub>	85.7	
C*	Height to top of handle (min.) Pro-Style® Stainless	31 <sup>17</sup> / <sub>32</sub>	80.1	
	Euro-Style Stainless	31 <sup>17</sup> / <sub>32</sub>	80.1	
	Custom panel (¾"/1.9 cm)	†	†	
D*	Height to bottom of door	3 <sup>5</sup> / <sub>8</sub>	9.4	
E*	Height of recessed dishwasher (min.)	33 <sup>5</sup> / <sub>8</sub>	85.5	
F	Depth with door fully open (min.)	49 <sup>1</sup> / <sub>2</sub>	125.7	
	G	Depth with handle (min.) Pro-Style® Stainless	29 <sup>3</sup> / <sub>32</sub>	73.9
		Euro-Style Stainless	28 <sup>19</sup> / <sub>32</sub>	72.6
Custom panel (¾"/1.9 cm)		†	†	
H	Depth with door (min.) Pro-Style® Stainless	26 <sup>1</sup> / <sub>2</sub>	67.3	
	Euro-Style Stainless	26 <sup>1</sup> / <sub>2</sub>	67.3	
	Custom panel (¾"/1.9 cm)	24 <sup>1</sup> / <sub>2</sub>	62.2	
I	Depth with tub flange (min.)	22 <sup>5</sup> / <sub>8</sub>	57.4	
J	Depth with toe kick (min.)	20 <sup>7</sup> / <sub>8</sub>	52.9	

\*With wheels removed. Add up to 1" (2.5 cm) to height with wheels and leg levelers fully extended.

†For custom panel models, this depends on handle chosen.

**IMPORTANT:** Dimensional specifications are provided for planning purposes only. Do not make any cutouts based on this information. Refer to the Installation or Use & Care Guide before selecting cabinetry, verifying electrical/gas connections, making cutouts or beginning installation. All Jenn-Air® appliances are appropriately UL, CUL or CSA approved.

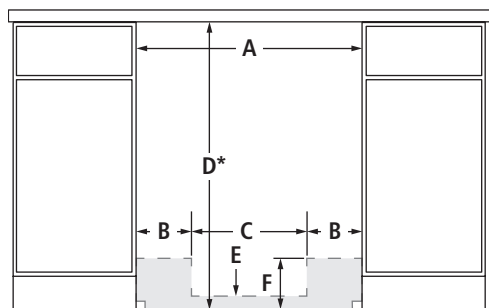


DISHWASHERS

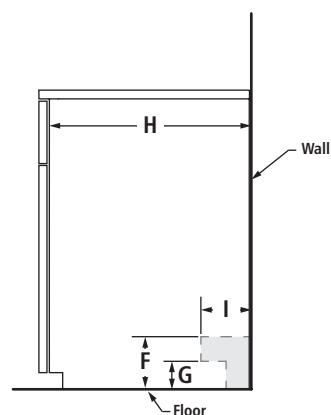
JDTSS246G, JDTSS244G – 23<sup>7</sup>/<sub>8</sub>" x 33<sup>1</sup>/<sub>2</sub>" x 28<sup>19</sup>/<sub>32</sub>" (including handle)

JDTSS245G, JDTSS243G – 23<sup>7</sup>/<sub>8</sub>" x 33<sup>1</sup>/<sub>2</sub>" x 24<sup>1</sup>/<sub>2</sub>" (not including handle)

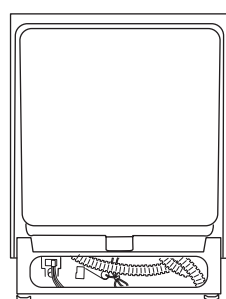
OPENING/CLEARANCE DIMENSIONS



FRONT VIEW



SIDE VIEW



BACK VIEW

MODEL #		JDTSS246G JDTSS245G JDTSS244G JDTSS243G	
		in	cm
A	Width (min.)	24	61.0
B	Width of possible utility installation area (back wall)	6 <sup>3</sup> / <sub>4</sub>	17.2
C	Width of clear area (back wall)	10 <sup>1</sup> / <sub>2</sub>	26.7
D*	Height with wheels removed (min.)	34	86.4
E	Height of possible utility installation area (back wall)	2 <sup>1</sup> / <sub>4</sub>	6.4
F	Height of possible utility installation area (back/side wall)	6 <sup>1</sup> / <sub>4</sub>	15.9
G	Height of clear area (side wall)	3	7.6
H	Depth (min.)	24	61.0
I	Depth of utility location (side wall)	4	10.2

**Electrical, water and drain connections may be installed in shaded areas**

Recommended drain connection location – closest to sink	1 <sup>1</sup> / <sub>2</sub> dia.	3.8 dia.
Recommended electrical connection location – right-hand side or back wall	1 <sup>1</sup> / <sub>2</sub> dia.	3.8 dia.
Recommended water connection location – left-hand side or back wall	½ dia.	1.3 dia.

\*Measured from the lowest point on the underside of countertop.

**ELECTRICAL REQUIREMENTS**

20-volt, 60 Hz, AC-only, 15- or 20-amp. fused electrical supply. Copper wire only. A time delay fuse or circuit breaker and separate circuit is recommended.

**WATER SUPPLY REQUIREMENTS**

120°F (49°C) hot water supply with water pressure between 20 and 120 psi (138 and 862 kPa) is required. If you have questions about your water pressure, call a licensed, qualified plumber.

**DRAIN REQUIREMENTS**

Connect drain hose to waste tee or disposer inlet above drain trap. Maximum drain hose length 12' (3.7 m).

**LOCATION REQUIREMENTS**

Corner locations require a 2" (5.1 cm) minimum clearance between the side of the dishwasher door and the wall or cabinet.

**IMPORTANT:** Dimensional specifications are provided for planning purposes only.

**Do not make any cutouts based on this information.** Refer to the Installation or Use & Care Guide before selecting cabinetry, verifying electrical/gas connections, making cutouts or beginning installation. All Jenn-Air® appliances are appropriately UL, CUL or CSA approved.

