



# 24" (61.0 CM) AND 30" (76.2 CM) MICROWAVE DRAWER AND 27" (68.6 CM) TRIM KIT INSTALLATION INSTRUCTIONS

## INSTRUCTIONS D'INSTALLATION DU TIROIR À FOUR À MICRO-ONDES DE 24 PO (61,0 CM) ET 30 PO (76,2 CM) ET DE LA TROUSSE DE GARNITURE DE 27 (68,6 CM)

### Table of Contents/Table des matières

<b>MICROWAVE DRAWER SAFETY</b> .....	<b>2</b>	<b>SÉCURITÉ DU TIROIR À MICRO-ONDES</b> .....	<b>11</b>
<b>INSTALLATION REQUIREMENTS</b> .....	<b>3</b>	<b>EXIGENCES D'INSTALLATION</b> .....	<b>12</b>
Tools and Parts.....	3	Outillage et pièces.....	12
Location Requirements.....	3	Exigences d'emplacement.....	12
Minimum Dimensions.....	3	Dimensions minimales .....	12
Electrical Requirements .....	4	Spécifications électriques.....	13
<b>24" (61.0 CM) AND 30" (76.2 CM) STANDARD MOUNT</b> .....	<b>5</b>	<b>SUPPORT STANDARD DE</b>	
Cabinet Preparation .....	5	<b>24 PO (61,0 CM) ET 30 PO (76,2 CM)</b> .....	<b>14</b>
<b>24" (61.0 CM) AND 30" (76.2 CM) FLUSH MOUNT</b> .....	<b>6</b>	Préparation de l'armoire.....	14
Cabinet Preparation .....	6	<b>EN AFFLEUREMENT DE</b>	
<b>27" (68.6 CM) TRIM KIT ACCESSORY STANDARD MOUNT</b> ....	<b>7</b>	<b>24 PO (61,0 CM) ET 30 PO (76,2 CM)</b> .....	<b>15</b>
Cabinet Preparation .....	7	Préparation de l'armoire.....	15
<b>27" (68.6 CM) TRIM KIT ACCESSORY FLUSH MOUNT</b> .....	<b>8</b>	<b>SUPPORT STANDARD POUR TROUSSE</b>	
Cabinet Preparation .....	8	<b>DE GARNITURE DE 27 PO (68,6 CM)</b> .....	<b>16</b>
<b>INSTALLATION INSTRUCTIONS</b> .....	<b>9</b>	Préparation de l'armoire.....	16
Install the Anti-Tip Block.....	9	<b>EN AFFLEUREMENT POUR TROUSSE DE</b>	
Install the Microwave Drawer.....	9	<b>GARNITURE DE 27 PO (68,6 CM)</b> .....	<b>17</b>
Install the Deflector Vent For Flush Installation .....	10	Préparation de l'armoire.....	17
Complete Installation .....	10	<b>INSTRUCTIONS D'INSTALLATION</b> .....	<b>18</b>
<b>ASSISTANCE</b> .....	<b>10</b>	Installation de la cale de bride antibasculement .....	18
		Installation du tiroir à micro-ondes .....	18
		Installer le déflecteur d'évacuation pour une	
		installation en affleurement .....	19
		Terminer l'installation.....	20
		<b>ASSISTANCE</b> .....	<b>20</b>

#### IMPORTANT:

**Installer:** Leave installation instructions with the homeowner.

**Homeowner:** Keep installation instructions for future reference.

#### IMPORTANT:

Save for local electrical inspector's use.

#### IMPORTANT :

**Installateur :** Remettre les instructions d'installation au propriétaire.

**Propriétaire :** Conserver les instructions d'installation pour référence ultérieure.

#### IMPORTANT :

À conserver pour consultation par l'inspecteur local des installations électriques.

**W11257634B**  
**TINSKB267MRR0**

# MICROWAVE DRAWER SAFETY

## Your safety and the safety of others are very important.

We have provided many important safety messages in this manual and on your appliance. Always read and obey all safety messages.



This is the safety alert symbol.

This symbol alerts you to potential hazards that can kill or hurt you and others.

All safety messages will follow the safety alert symbol and either the word "DANGER" or "WARNING."

These words mean:

**! DANGER**

You can be killed or seriously injured if you don't immediately follow instructions.

**! WARNING**

You can be killed or seriously injured if you don't follow instructions.

All safety messages will tell you what the potential hazard is, tell you how to reduce the chance of injury, and tell you what can happen if the instructions are not followed.

# INSTALLATION REQUIREMENTS

These installation instructions cover different models. The appearance of your particular model may differ slightly from the illustrations in these Installation Instructions.

## Tools and Parts

Gather the required tools and parts before starting installation. Read and follow the instructions provided with any tools listed here.

### Tools needed

- Tape measure
- 1/8" (3.17 mm) drill bit
- #2 Phillips screwdriver
- Marker or pencil
- Drill

### Parts supplied

The Microwave Drawer is preassembled.

- 1" (2.5 cm) mounting screws (4)
- 1" (2.5 cm) deflector screws (2)
- Flush mount deflector (1)

### Optional Parts

- 27" (68.6 cm) Trim Kit (W11170223) for JMDFS24GS
- 27" (68.6 cm) Trim Kit (W11264778) for JMDFS24HM

### Verification needed

- Installer must confirm presence of anti tip block. Refer to the anti-tip block section in the manual.
- Check local codes. Check existing electrical supply. See "Electrical Requirements".
- It is required that all electrical connections be made by a licensed, qualified electrical installer.

## Location Requirements

This product is suitable for use below electric or gas built-in ovens. This product is not suitable for use below cooktops.

The Microwave Drawer may be located in a cabinet or below the counter, and/or below a built-in oven. Check the opening where the Microwave Drawer will be installed. The location must provide:

**IMPORTANT:** Observe all governing codes and ordinances.

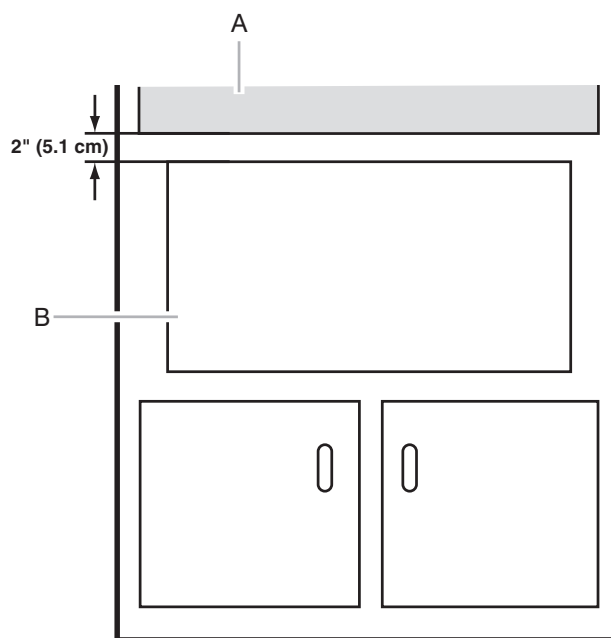
- Wood cabinetry.
- Cutout opening that is plumb and square. See "Minimum Cutout Dimensions" in the "Minimum Dimensions" section.
- Cutout floor that is solid, level, and flush with bottom of cabinet cutout.
- Support for weight of at least 100 lbs (45.4 kg), which includes Microwave Drawer and items placed inside.
- Grounded electrical outlet. See the "Electrical Requirements" section.
- Minimum installation clearances for installation location. See the "Minimum Dimensions" section.
- Complete enclosure around the recessed portion of the Microwave Drawer.

## Minimum Dimensions

### Minimum Wall Oven Combination Installation Clearances

For proper installation, the following minimum clearances must exist above and below the cutout opening.

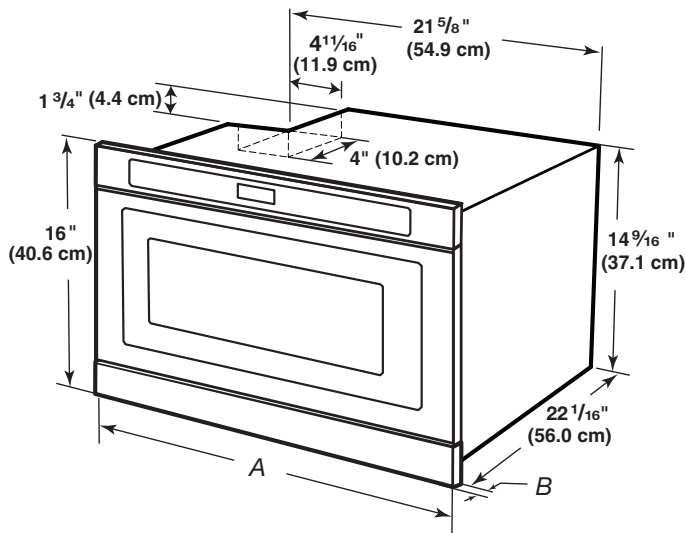
**NOTE:** Upper oven must have heat deflector kit installed to direct exhaust away from microwave console (Refer to Wall Oven Manual for Deflector Kit Installation)



A. Upper oven cutout  
B. Microwave drawer cutout

## Product Dimensions

24" (61.0 cm) and 30" (76.2 cm)



Dimension A:

24" (61.0 cm) Product - 23<sup>7</sup>/<sub>8</sub>" (60.6 cm)

30" (76.2 cm) Product - 29<sup>15</sup>/<sub>16</sub>" (76.0 cm)

Dimension B:

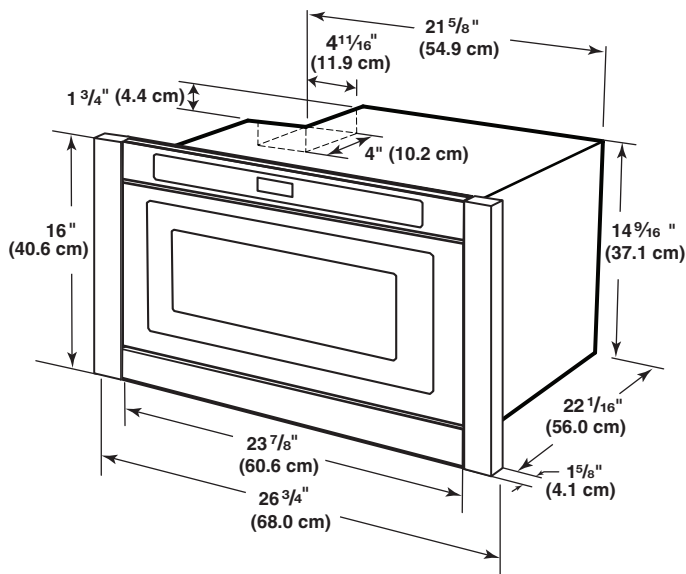
JMDFS24GS Model - 1<sup>5</sup>/<sub>8</sub>" (4.1 cm)

JMDFS30HL Model - 1<sup>11</sup>/<sub>16</sub>" (4.3 cm)

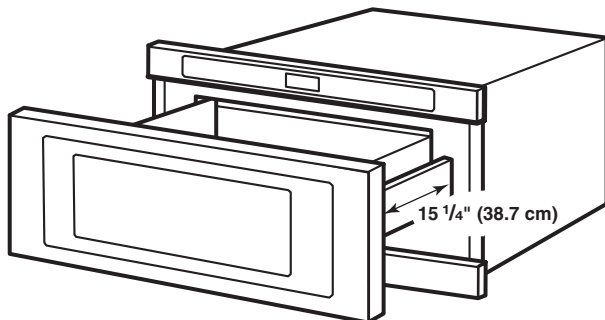
JMDFS24HM Model - 1<sup>3</sup>/<sub>4</sub>" (4.4 cm)

JMDFS30HM Model - 1<sup>3</sup>/<sub>4</sub>" (4.4 cm)

Optional 27" (68.6 cm) Trim Kit:



The drawer opens 15<sup>1</sup>/<sub>4</sub>" (38.7 cm).



## Electrical Requirements

### ⚠ WARNING



#### Electrical Shock Hazard

Plug into a grounded 3 prong outlet.

Do not remove ground prong.

Do not use an adapter.

Do not use an extension cord.

Failure to follow these instructions can result in death, fire, or electrical shock.

**IMPORTANT:** Observe all governing codes and ordinances.

**Required:**

- A 120 V, 60 Hz, AC-only, 15 or 20 A electrical supply with a fuse or circuit breaker.

**Recommended:**

- A time-delay fuse or time-delay circuit breaker
- A separate circuit serving only this Microwave Drawer

## GROUNDING INSTRUCTIONS

#### ■ For all cord connected appliances:

The microwave oven must be grounded. In the event of an electrical short circuit, grounding reduces the risk of electric shock by providing an escape wire for the electric current. The microwave oven is equipped with a cord having a grounding wire with a grounding plug. The plug must be plugged into an outlet that is properly installed and grounded.

**WARNING:** Improper use of the grounding plug can result in a risk of electric shock. Consult a qualified electrician or serviceman if the grounding instructions are not completely understood, or if doubt exists as to whether the microwave oven is properly grounded.

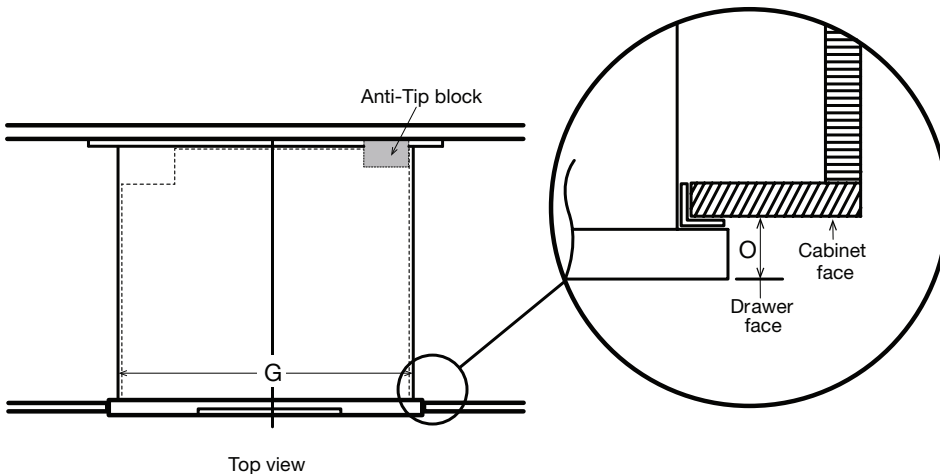
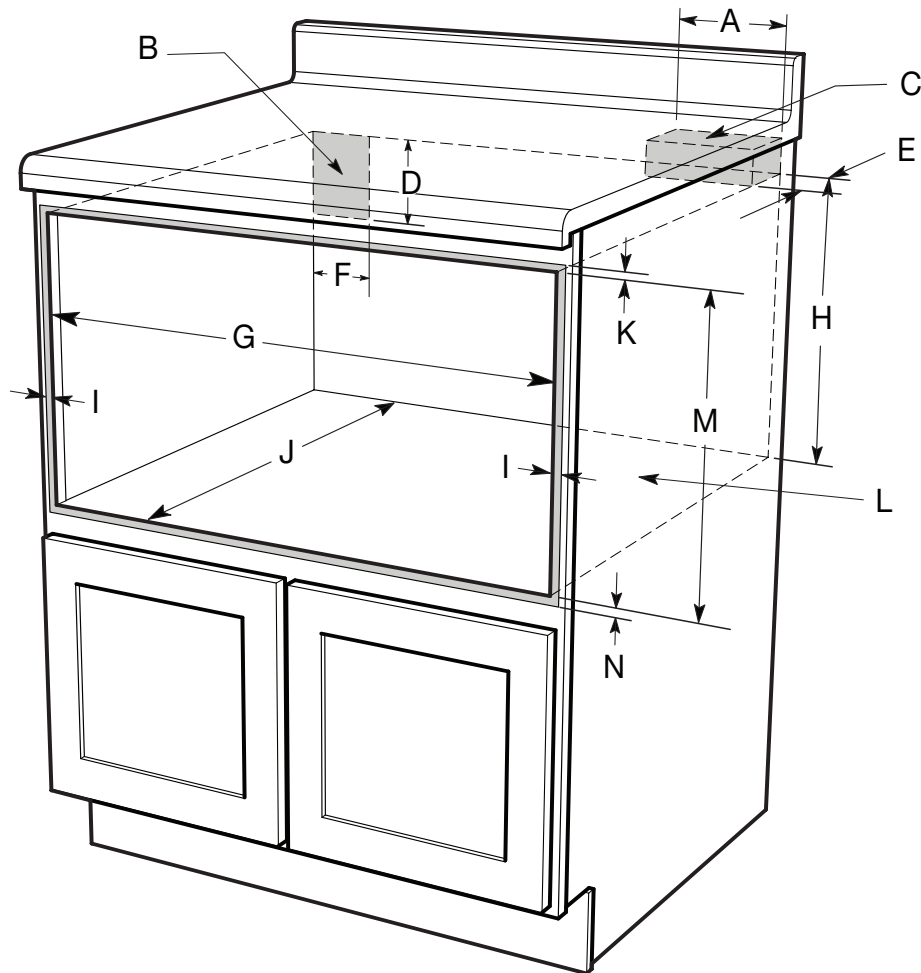
Do not use an extension cord. If the power supply cord is too short, have a qualified electrician or serviceman install an outlet near the microwave oven. A short power supply cord is provided to reduce the risks resulting from becoming entangled in or tripping over a longer cord.

## SAVE THESE INSTRUCTIONS

# 24" (61.0 CM) AND 30" (76.2 CM) STANDARD MOUNT

## Cabinet Preparation

### Cabinet Dimensions

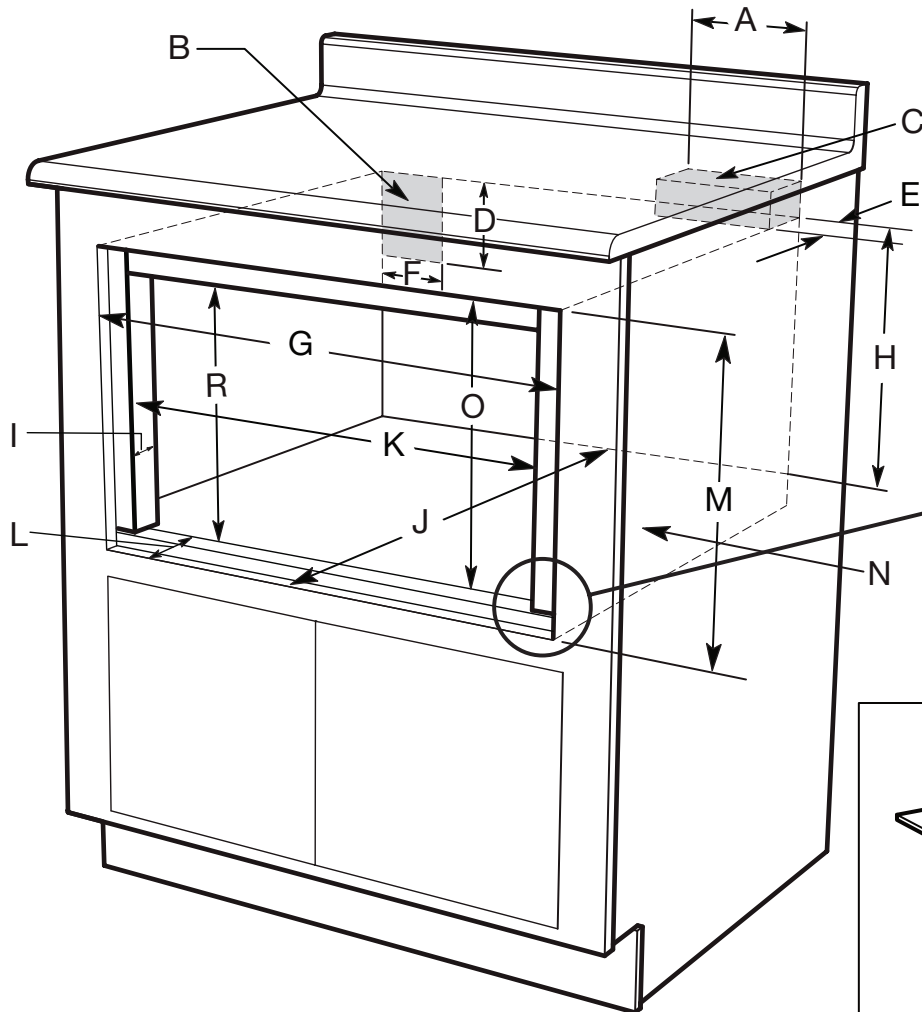


- A. 6" (152.40 mm) minimum  
16" (406.40 mm) maximum
- B. Suggested electrical receptacle location
- C. Anti-Tip block
- D. 3" (76.20 mm)
- E. 3<sup>1</sup>/<sub>2</sub>" (88.90 mm)
- F. 4.5" (114.30 mm)
- G. 22<sup>1</sup>/<sub>8</sub>" (561.98 mm) opening
- H. 14<sup>13</sup>/<sub>16</sub>" (376.24 mm) to bottom of Anti-Tip block
- I. 24" models: Allow 7/8" (22.2 mm) overlap  
30" models: Allow 4<sup>1</sup>/<sub>16</sub>" (103.19 mm) overlap
- J. 24" (609.60 mm) minimum depth
- K. Allow 9/16" (5.62 mm)
- L. Platform must support 100 lb (45.4 kg)
- M. 15<sup>9</sup>/<sub>16</sub>" (395.27 mm) opening
- N. Allow 3/4" (19.05 mm) overlap
- O. JMDFS24GS Model - 1<sup>5</sup>/<sub>8</sub>" (41.28 mm)  
JMDFS30HL Model - 1<sup>11</sup>/<sub>16</sub>" (42.86 mm)  
JMDFS24HM Model - 1<sup>3</sup>/<sub>4</sub>" (44.45 mm)  
JMDFS30HM Model - 1<sup>3</sup>/<sub>4</sub>" (44.45 mm)

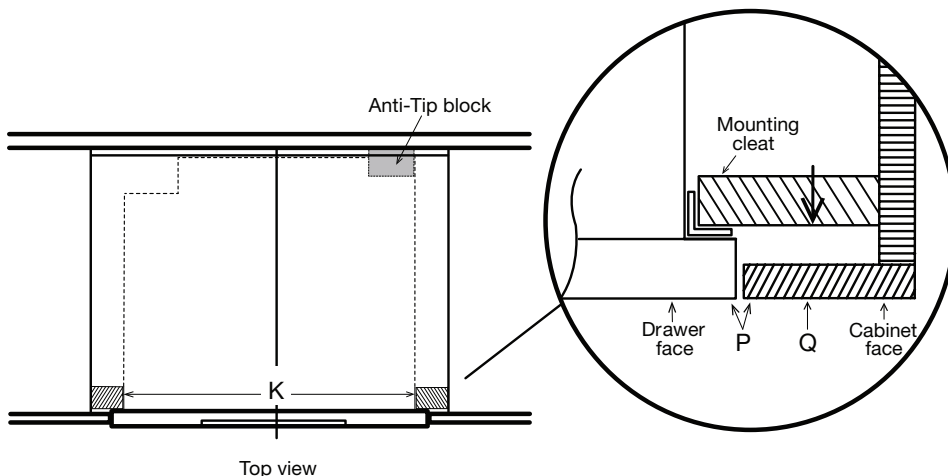
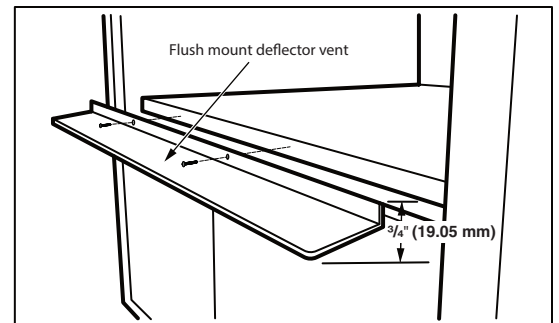
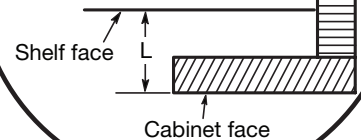
# 24" (61.0 CM) AND 30" (76.2 CM) FLUSH MOUNT

## Cabinet Preparation

### Cabinet Dimensions



**Note:** The face of the shelf must sit  $1\frac{7}{8}$ " (47.6 mm) back from the face of the cabinet.



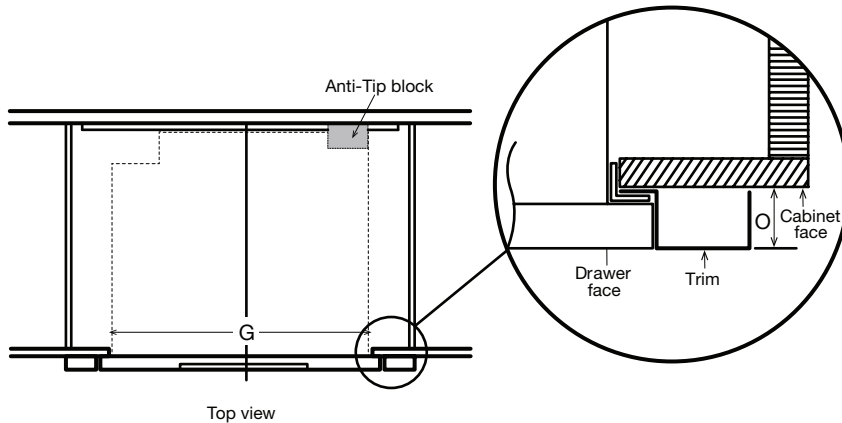
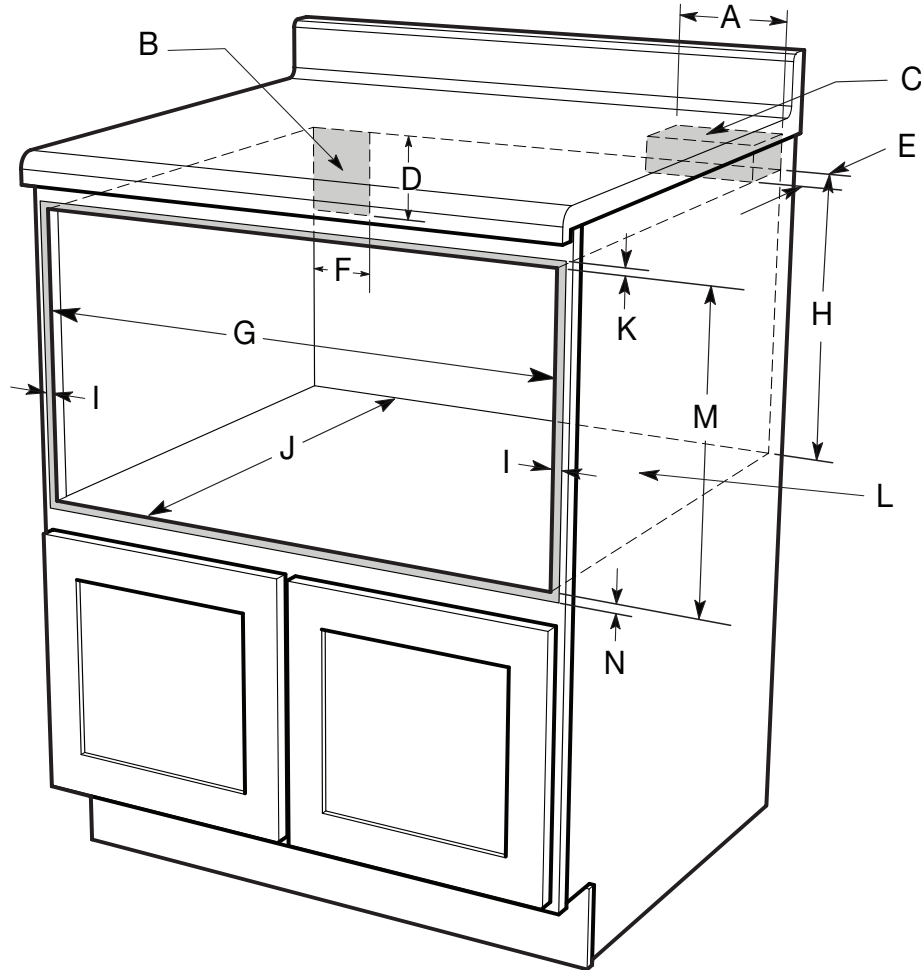
- A. 6" (152.40 mm) minimum  
16" (406.40 mm) maximum
- B. Suggested electrical receptacle location
- C. Anti-Tip block
- D. 3" (76.20 mm)
- E.  $3\frac{1}{2}$ " (88.90 mm)
- F. 4.5" (114.30 mm)
- G. 24" models:  $24\frac{3}{16}$ " (614.4 mm) minimum  
30" models:  $30\frac{1}{4}$ " (768.4 mm) minimum
- H.  $14\frac{13}{16}$ " (376.24 mm) to bottom of Anti-Tip block
- I. 1" (25.40 mm) minimum
- J. 24" (609.60 mm) minimum depth
- K.  $22\frac{1}{8}$ " (561.98 mm) "mounting cleat to mounting cleat"
- L.  $1\frac{7}{8}$ " (47.62 mm)
- M.  $16\frac{7}{8}$ " (428.62 mm) opening
- N. Platform must support 100 lb (45.4 kg)
- O.  $16\frac{1}{8}$ " (409.56 mm)
- P. 0" (0 mm) = flush
- Q. JMDFS24GS Model -  $1\frac{5}{8}$ " (41.28 mm)  
JMDFS30HL Model -  $1\frac{11}{16}$ " (42.86 mm)  
JMDFS24HM Model -  $1\frac{3}{4}$ " (44.45 mm)  
JMDFS30HM Model -  $1\frac{3}{4}$ " (44.45 mm)
- R.  $15\frac{9}{16}$ " (395.3 mm)

# 27" (68.6 CM) TRIM KIT ACCESSORY STANDARD MOUNT

(To be used with JMDFS24GS or JMDFS24HM)

## Cabinet Preparation

### Cabinet Dimensions



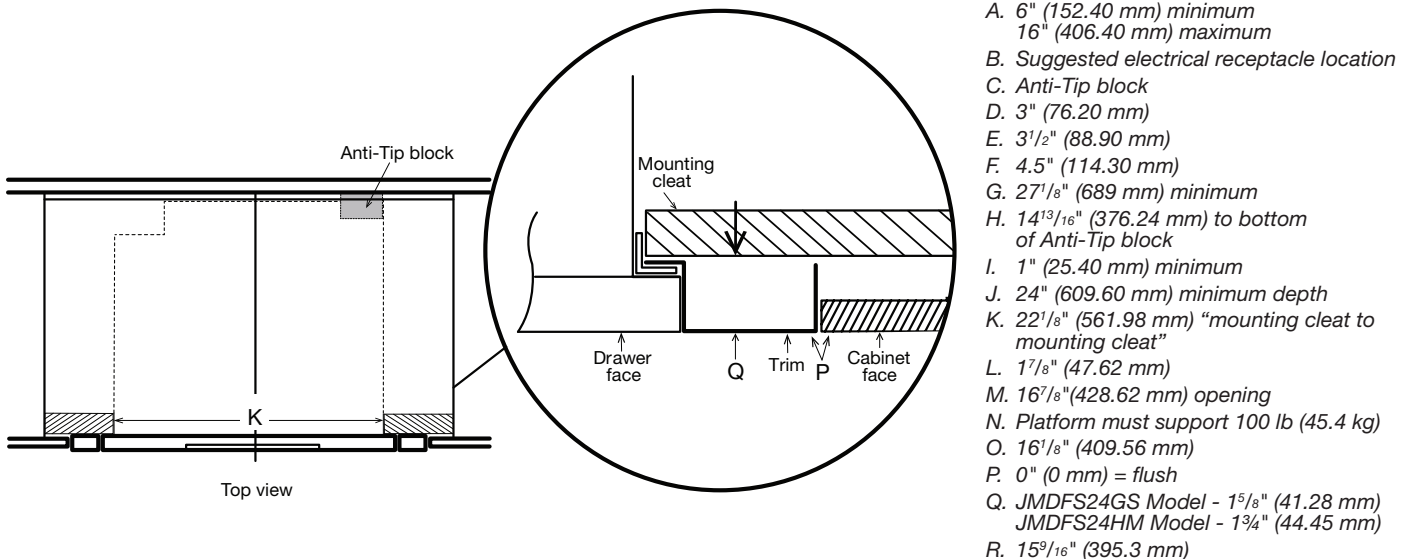
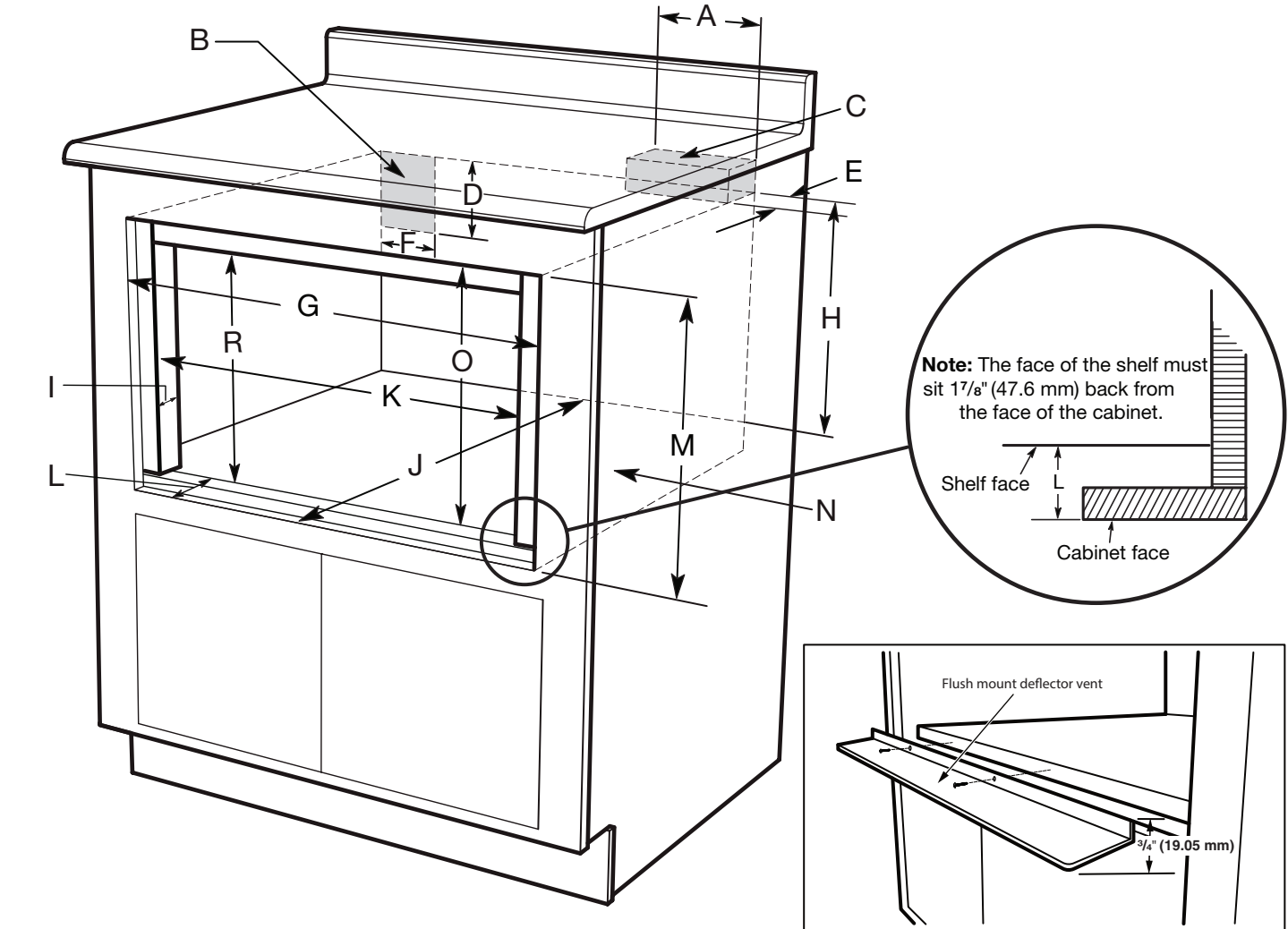
- A. 6" (152.40 mm) minimum  
16" (406.40 mm) maximum
- B. Suggested electrical receptacle location
- C. Anti-Tip block
- D. 3" (76.20 mm)
- E. 3<sup>1</sup>/<sub>2</sub>" (88.90 mm)
- F. 4.5" (114.30 mm)
- G. 22<sup>1</sup>/<sub>8</sub>" (561.98 mm) opening
- H. 14<sup>13</sup>/<sub>16</sub>" (376.24 mm) to bottom of Anti-Tip block
- I. Allow 2<sup>3</sup>/<sub>8</sub>" (60.5 mm) overlap
- J. 24" (609.60 mm) minimum depth
- K. Allow 9/16" (5.62 mm)
- L. Platform must support 100 lb (45.4 kg)
- M. 15<sup>9</sup>/<sub>16</sub>" (395.27 mm) opening
- N. Allow 3/4" (19.05 mm) overlap
- O. JMDFS24GS Model - 1<sup>5</sup>/<sub>8</sub>" (41.28 mm)  
JMDFS24HM Model - 1<sup>3</sup>/<sub>4</sub>" (44.45 mm)

# 27" (68.6 CM) TRIM KIT ACCESSORY FLUSH MOUNT

(To be used with JMDFS24GS or JMDFS24HM)

## Cabinet Preparation

### Cabinet Dimensions





# INSTALLATION INSTRUCTIONS

## Install the Anti-Tip Block

### ⚠ WARNING



#### Crush Hazard

**Microwave drawer can tip and fall out of opening.**  
**Install anti-tip block to wall per installation instructions.**  
**Failure to do so can result in serious injury or burns.**

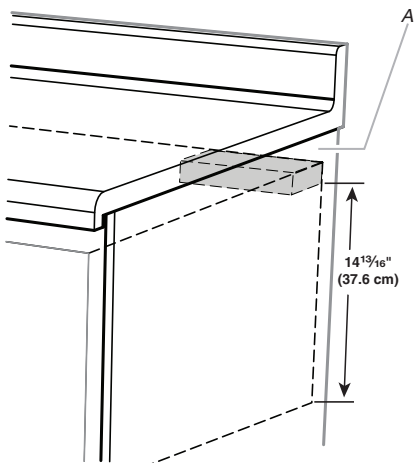
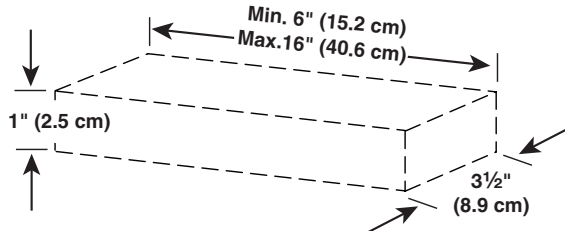
To reduce the risk of tipping of the drawer, the anti-tip block must be properly installed located  $14\frac{13}{16}$ " (37.6 cm) above the floor on which the Microwave Drawer will sit. If the Microwave Drawer is ever moved to a different location, the anti-tip block must also be moved and installed.

1. Measure  $14\frac{13}{16}$ " (37.6 cm) from the cutout floor where the Microwave Drawer will sit and mark a line on the wall.
2. Position the bottom of the anti-tip block on the line marked on the wall and attach the anti-tip block to the wall with screws. Make sure the screws are secured to wood or metal studs.

#### NOTES:

- The anti-tip block is required before installing the Microwave Oven Drawer.
- The anti-tip block is to be provided by the installer.
- When fastening, be sure that the screws do not penetrate electrical wiring or plumbing.

#### Anti-Tip Block Dimensions.



A. Anti-tip block

Using sturdy wood screws (installer to provide), securely install the anti-tip block in the upper-right corner of the cutout, making sure the block is completely stable. The bottom of the block must be  $14\frac{13}{16}$ " (37.6 cm) from the cutout floor.

## Install the Microwave Drawer

### ⚠ WARNING

#### Excessive Weight Hazard

**Use two or more people to move and install microwave oven.**

**Failure to do so can result in back or other injury.**

1. Empty Microwave Drawer of any loose contents.
2. Using two or more people, slide Microwave Drawer all the way into the opening, and center the Microwave Drawer.
3. Open the Microwave Drawer, and mark the four holes in the mounting flange.

**NOTE:** The screw holes in the mounting flange of both sides must be fully over the wood of the wall or cabinet.

4. Remove Microwave Drawer.
5. Using  $1/8$ " (3.17 mm) drill, drill four pilot holes into the cabinet through the marks made in Step 3.
6. Prepare the holes by installing a 1" (2.5 cm) screw in and out of each pilot hole.

### ⚠ WARNING



#### Electrical Shock Hazard

**Plug into a grounded 3 prong outlet.**

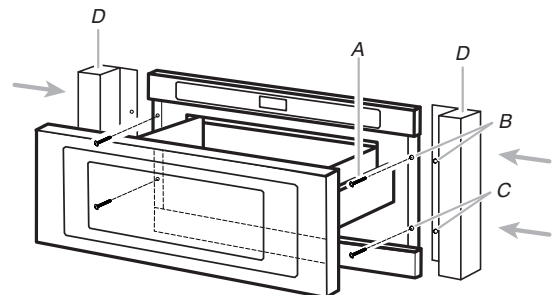
**Do not remove ground prong.**

**Do not use an adapter.**

**Do not use an extension cord.**

**Failure to follow these instructions can result in death, fire, or electrical shock.**

7. With the Microwave Drawer near the opening, plug the Microwave Drawer into the grounded 3 prong outlet.
8. Reinsert Microwave Drawer into the opening, open the drawer, and align holes in mounting flange with pilot holes in the cabinet.



A. 1" (2.5 cm) mounting screws (4)

B. Mounting flange screw holes

C. Mounting flange

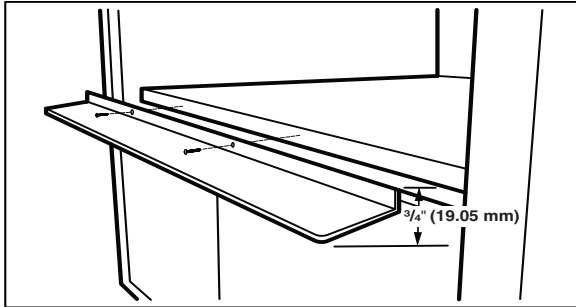
D. Optional 27" (68.6 cm) Trim Kit Parts

**NOTE:** For the 27" (68.6 cm) side trim kit, align the side trim pieces holes with the front frame holes then push product into opening. Then secure with the screws as instructed in step 9.

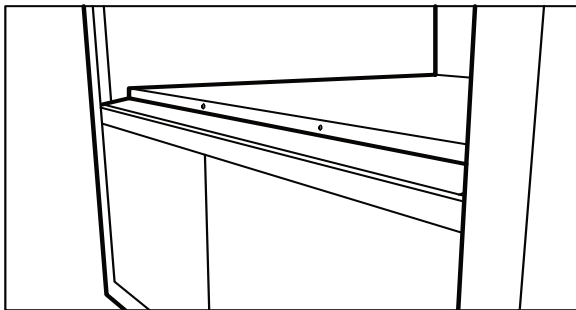
- Install four 1" (2.5 cm) screws to secure the Microwave Drawer in place, then close the drawer.

## Install the Deflector Vent For Flush Installation

- Position deflector vent and mark holes.
- Pre-drill using a 1/8" (3.17 mm) bit before mounting. Refer to illustrations below for vent positioning.

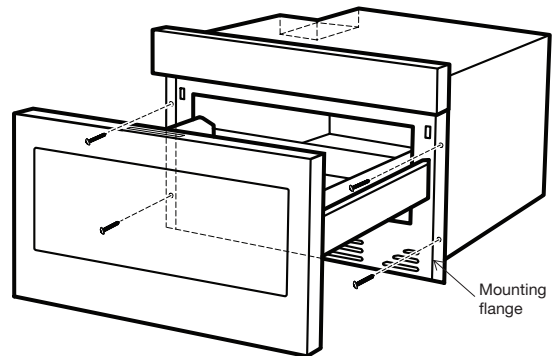


Shelf detail showing the deflector vent during installation.



Shelf detail showing the deflector vent installed.

- Guide the drawer into the prepared opening. Avoid contact with the sides of the cutout opening and also pinching the cord between the oven and the wall.
- Slide the drawer all the way back until the mounting flanges touch the cleats mounted in the cabinet opening.
- Open the drawer. Using the 4 holes on the drawer as a template, pre drill the cabinet using a 1/8" (3.17 mm) bit. See illustration below.



- Secure the drawer with the 4 screws supplied.

## Complete Installation

- Check the operation of Microwave Drawer by placing 1 cup (250 mL) of water in the Microwave Drawer and programming cook time of 1 minute at 100% power.
- If the Microwave Drawer does not operate:
  - Check that a household fuse has blown, or a circuit breaker tripped. Replace the fuse or reset the circuit breaker. If the problem continues, call an electrician.
  - Check that the power supply cord is plugged into a grounded 3 prong outlet.
  - See the Use and Care Guide for troubleshooting information.

Installation is now complete.

Save these Installation Instructions for future use.

## ASSISTANCE

Call your authorized dealer or service center. When you call, you will need the microwave drawer model number and serial number, both of which can be found on the model and serial number plate.

If you need additional assistance, call us at our toll-free number or visit our website listed in the Use and Care Guide.

To access the model and serial number plate, fully open the microwave drawer. The plate is located on a flat surface just beyond the back wall of the drawer.

## ⚠ WARNING



### Electrical Shock Hazard

**Plug into a grounded 3 prong outlet.**

**Do not remove ground prong.**

**Do not use an adapter.**

**Do not use an extension cord.**

**Failure to follow these instructions can result in death, fire, or electrical shock.**

- Place the drawer adjacent to the wall or cabinet opening. Plug the power supply cord into the grounded 3 prong outlet.

# SÉCURITÉ DU TIROIR À MICRO-ONDES

## **Votre sécurité et celle des autres est très importante.**

Nous donnons de nombreux messages de sécurité importants dans ce manuel et sur votre appareil ménager. Assurez-vous de toujours lire tous les messages de sécurité et de vous y conformer.



Voici le symbole d'alerte de sécurité.

Ce symbole d'alerte de sécurité vous signale les dangers potentiels de décès et de blessures graves à vous et à d'autres.

Tous les messages de sécurité suivront le symbole d'alerte de sécurité et le mot "DANGER" ou "AVERTISSEMENT". Ces mots signifient :

**⚠ DANGER**

**Risque possible de décès ou de blessure grave si vous ne suivez pas immédiatement les instructions.**

**⚠ AVERTISSEMENT**

**Risque possible de décès ou de blessure grave si vous ne suivez pas les instructions.**

Tous les messages de sécurité vous diront quel est le danger potentiel et vous disent comment réduire le risque de blessure et ce qui peut se produire en cas de non-respect des instructions.

# EXIGENCES D'INSTALLATION

Ces instructions d'installation couvrent plusieurs modèles. L'apparence de votre modèle peut différer légèrement des illustrations présentes dans ce manuel.

- Enceinte complète autour de la partie encastrée du tiroir à micro-ondes.

## Outillage et pièces

Rassembler les outils et pièces nécessaires avant d'entreprendre l'installation. Lire et observer les instructions fournies avec chacun des outils de la liste ci-dessous.

### Outils nécessaires

- Ruban à mesurer
- Foret de 1/8 po (3,17 mm)
- Tournevis à tête cruciforme n° 2
- Marqueur ou crayon
- Perceuse

### Pièces fournies

Le tiroir à micro-ondes est préassemblé.

- (4) vis de montage de 1 po (2,5 cm)
- (2) vis de déflecteur de 1 po (2,5 cm)
- (1) déflecteur d'évent à montage en affleurement

### Pièces facultatives

- Trousse de garniture de 27 po (68,6 cm) (W11170223) pour JMDFS24GS
- Trousse de garniture de 27 po (68,6 cm) (W11264778) pour JMDFS24HM

### Vérification à effectuer

- L'installateur doit vérifier qu'il y a bien une cale de bride antibasculement. Consulter la section "Cale de bride antibasculement" de ce manuel.
- Consulter les codes locaux. Vérifier l'alimentation électrique existante. Consulter les "Spécifications électriques".
- Tous les raccordements électriques doivent être effectués par un électricien qualifié agréé.

## Exigences d'emplacement

Ce produit peut être installé en dessous de fours encastrés électriques ou au gaz. Ce produit n'est pas conçu pour être installé sous une table de cuisson.

Le tiroir à micro-ondes peut être installé dans une armoire, sous un comptoir ou sous un four encastré. Inspecter l'ouverture où le tiroir à micro-ondes sera installé. Il doit comporter les caractéristiques suivantes :

**IMPORTANT :** Observer les dispositions de tous les codes et règlements en vigueur.

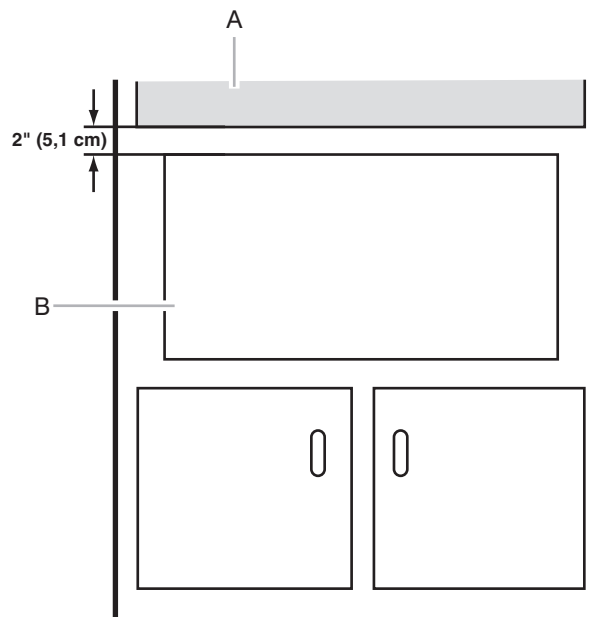
- Armoire en bois.
- Ouverture découpée qui est d'aplomb et d'équerre. Voir "Dimensions de l'ouverture à découper" dans la section "Dimensions minimales".
- Plancher au niveau de l'encastrement robuste, d'aplomb et en affleurement avec le bas de l'ouverture découpée de l'armoire.
- Capable de soutenir une charge d'au moins 100 lb (45,4 kg), ce qui comprend le tiroir à micro-ondes, ainsi que les éléments placés à l'intérieur.
- Prise de courant reliée à la terre. Voir la section "Spécifications électriques".
- Distances de dégagement minimales pour l'emplacement d'installation. Voir la section "Dimensions minimales".

## Dimensions minimales

### Distance de dégagement minimal pour un four encastré combiné

Pour une installation correcte, les distances de dégagement minimales suivantes doivent être respectées, au-dessus et au-dessous de l'ouverture à découper.

**REMARQUE :** Une trousse de déflecteur de chaleur doit être installée sur le four supérieur pour orienter l'évacuation loin de la console du four à micro-ondes (consulter le manuel du four encastré pour l'installation de la trousse de déflecteur).

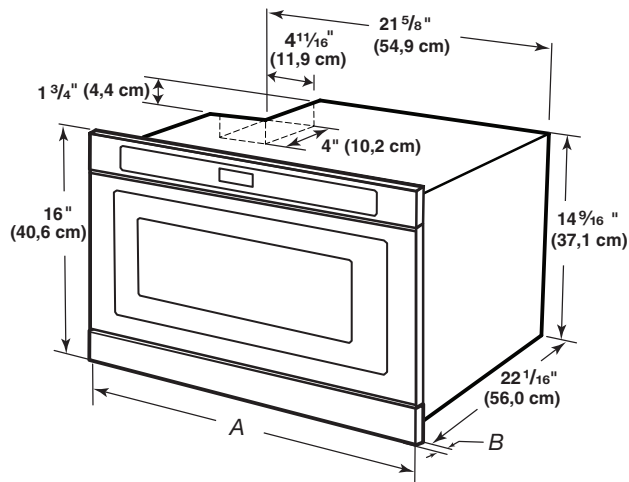


A. Ouverture d'encastrement du four supérieur

B. Ouverture d'encastrement du tiroir à micro-ondes

## Dimensions du produit

24 po (61,0 cm) et 30 po (76,2 cm)



Dimension A :

Produit de 24 po (61,0 cm) – 23<sup>7</sup>/<sub>8</sub> po (60,6 cm)

Produit de 30 po (76,2 cm) – 29<sup>15</sup>/<sub>16</sub> po (76,0 cm)

Dimension B :

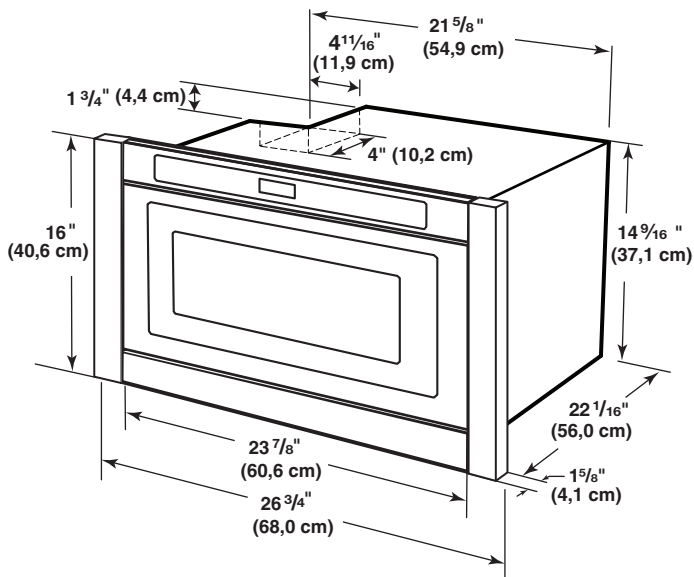
JMDFS24GS modèle – 1<sup>5</sup>/<sub>8</sub> po (4,1 cm)

JMDFS30HL modèle – 1<sup>11</sup>/<sub>16</sub> po (4,3 cm)

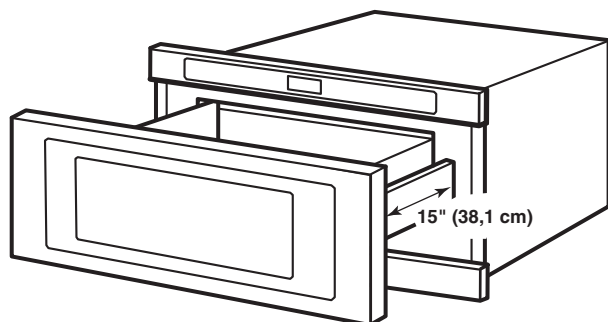
JMDFS24HM modèle – 1<sup>3</sup>/<sub>4</sub> po (4,4 cm)

JMDFS30HM modèle – 1<sup>3</sup>/<sub>4</sub> po (4,4 cm)

Pièces optionnelles de la trousse de garniture de 27 po (68,6 cm):



Le tiroir s'ouvre de 15<sup>1</sup>/<sub>4</sub> po (38,7 cm).



## Spécifications électriques

### ⚠ AVERTISSEMENT



#### Risque de choc électrique

**Brancher sur une prise à 3 alvéoles reliée à la terre.**

**Ne pas enlever la broche de liaison à la terre.**

**Ne pas utiliser un adaptateur.**

**Ne pas utiliser un câble de rallonge.**

**Le non-respect de ces instructions peut causer un décès, un incendie ou un choc électrique.**

**IMPORTANT :** Observer les dispositions de tous les codes et règlements en vigueur.

#### Exigences :

Une alimentation électrique de 120 V, 60 Hz, CA seulement, 15 ou 20 A, protégée par fusibles ou disjoncteur.

#### Recommandation :

- Un fusible temporisé ou un disjoncteur temporisé.
- Un circuit distinct exclusif au tiroir à micro-ondes.

## INSTRUCTIONS DE LIAISON À LA TERRE

### ■ Pour tous les appareils ménagers avec cordon d'alimentation :

Le four micro-ondes doit être relié à la terre. Au cas où un court-circuit se produirait, la liaison à la terre réduit le risque de choc électrique en permettant au courant de s'échapper directement vers la terre. Le four à micro-ondes est équipé d'un cordon comportant un conducteur de liaison à la terre avec fiche de liaison à la terre. La fiche doit être branchée dans une prise correctement installée et reliée à la terre.

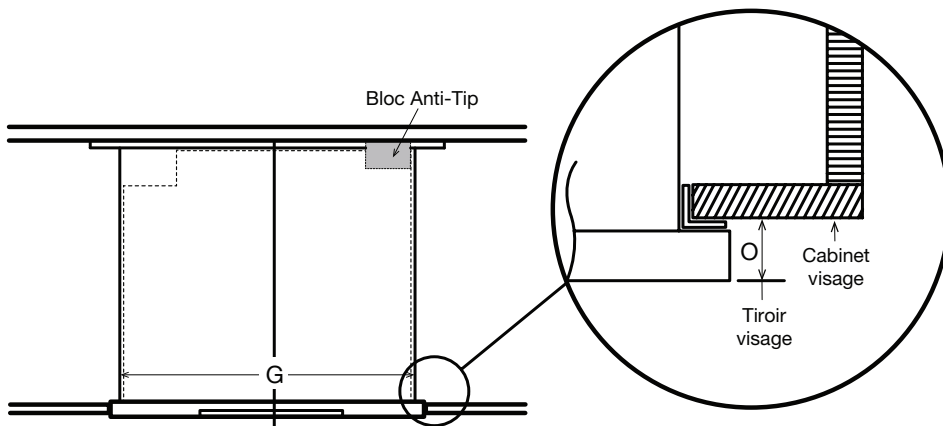
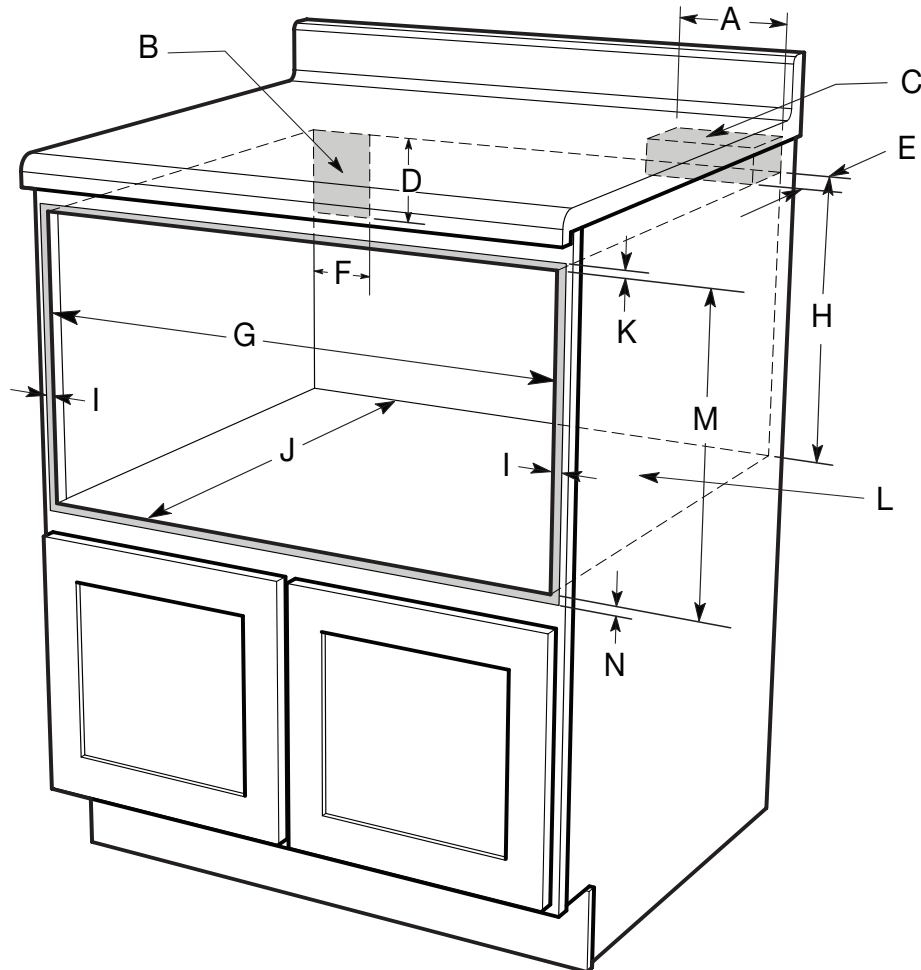
**AVERTISSEMENT :** Une utilisation inappropriée du conducteur de liaison à la terre peut causer un risque de choc électrique. Consulter un électricien ou un technicien qualifié si les instructions de mise à la terre ne sont pas complètement comprises ou si vous avez des doutes quant à la qualité de la liaison à la terre de l'appareil. Ne pas utiliser de rallonge. Si le cordon d'alimentation électrique est trop court, faire installer une prise près de l'appareil électroménager par un électricien ou un technicien de service qualifié. Un cordon d'alimentation court est fourni – ceci élimine le risque d'emmêlement ou de trébuchement que peut susciter l'emploi d'un cordon d'alimentation long.

## CONSERVEZ CES INSTRUCTIONS

# SUPPORT STANDARD DE 24 PO (61,0 CM) ET 30 PO (76,2 CM)

## Préparation de l'armoire

### Dimensions de l'armoire



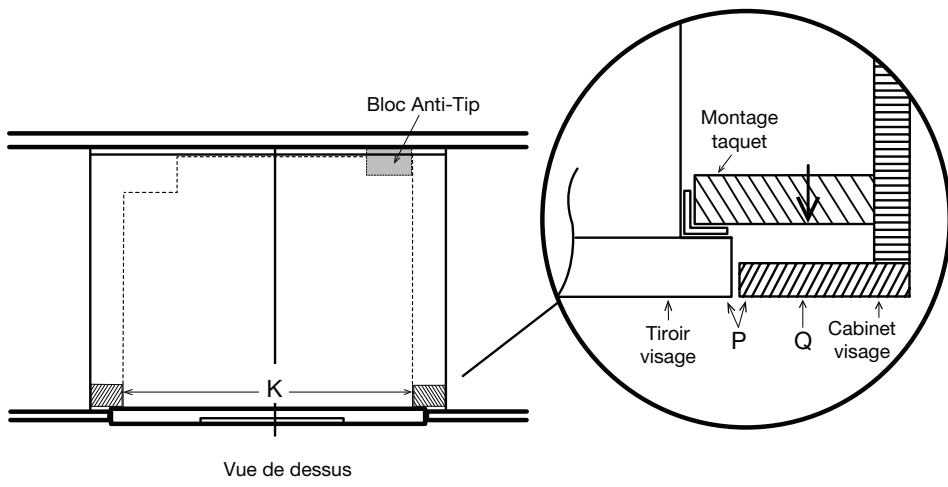
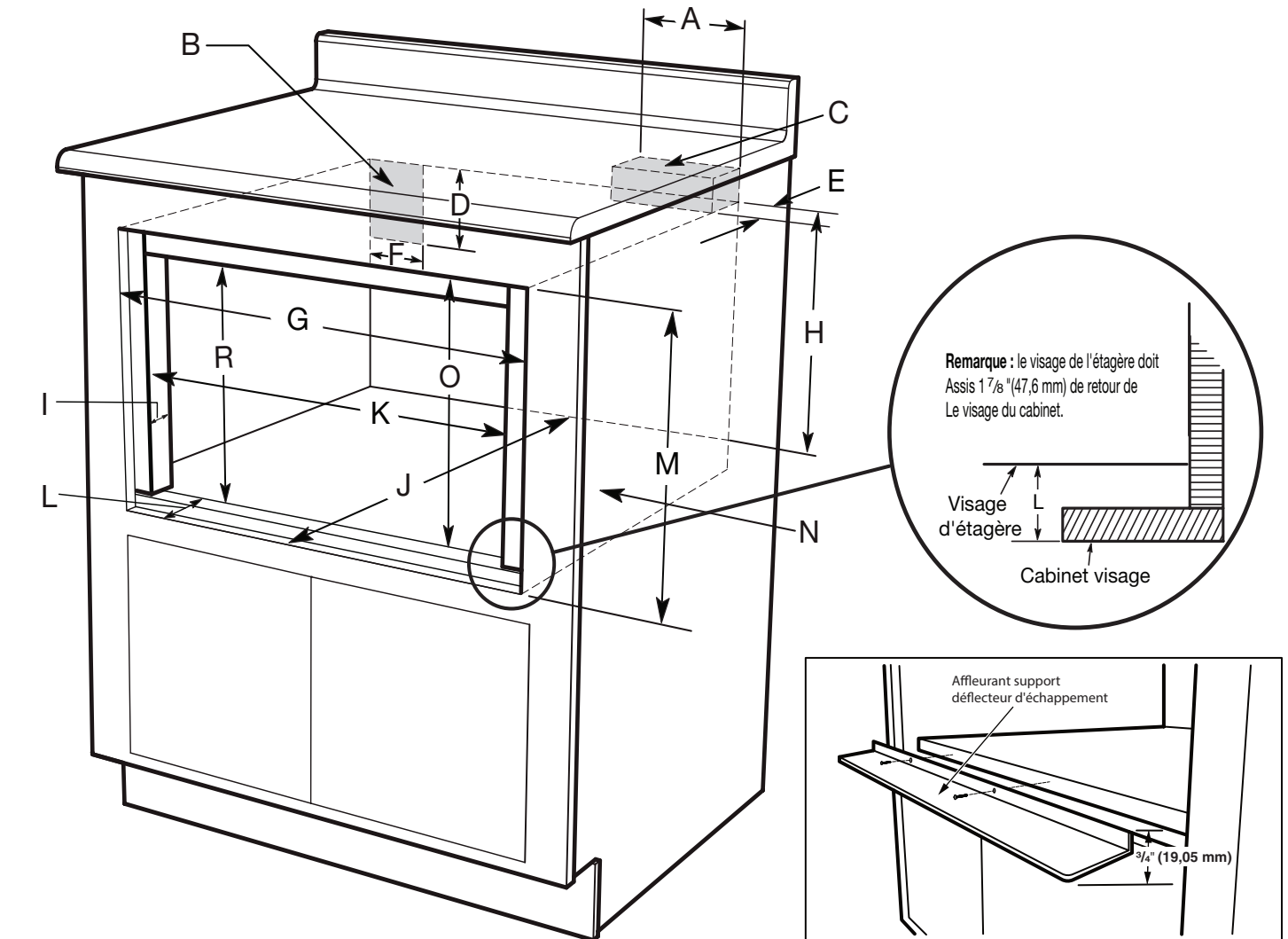
Vue de dessus

- A. Minimum de 6 po (152,40 mm), maximum de 16 po (406,40 mm)
- B. Emplacement suggéré de la prise électrique
- C. Cale de bride antibasculement
- D. 3 po (76,20 mm)
- E. 3<sup>1</sup>/<sub>2</sub> po (88,90 mm)
- F. 4,5 po (114,30 mm)
- G. Ouverture de 22<sup>1</sup>/<sub>8</sub> po (561,98 mm)
- H. 14<sup>13</sup>/<sub>16</sub> po (376,24 mm) au bas de la cale de bride antibasculement
- I. Modèles de 24 po : Permettre un chevauchement de 7/8 po (22,2 mm)  
Modèles de 30 po : Permettre un chevauchement de 4<sup>1</sup>/<sub>16</sub> po (103,19 mm)
- J. Profondeur minimale de 24 po (609,60 mm)
- K. Permettre 9/16 po (5,62 mm)
- L. La plateforme doit supporter 100 lb (45,4 kg)
- M. Ouverture de 15<sup>9</sup>/<sub>16</sub> po (395,27 mm)
- N. Permettre un chevauchement de 3/4 po (19,05 mm)
- O. JMDFS24GS modèle - 1<sup>5</sup>/<sub>8</sub> po (41,28 mm)  
JMDFS30HL modèle - 1<sup>11</sup>/<sub>16</sub> po (42,86 mm)  
JMDFS24HM modèle - 1<sup>3</sup>/<sub>4</sub> po (44,45 mm)  
JMDFS30HM modèle - 1<sup>3</sup>/<sub>4</sub> po (44,45 mm)

# EN AFFLEUREMENT DE 24 PO (61,0 CM) ET 30 PO (76,2 CM)

## Préparation de l'armoire

### Dimensions de l'armoire



Vue de dessus

- A. Minimum de 6 po (152,40 mm), maximum de 16 po (406,40 mm)
- B. Emplacement suggéré de la prise électrique
- C. Cale de bride antibasculément
- D. 3 po (76,20 mm)
- E. 3 1/2 po (88,90 mm)
- F. 4.5 po (114,30 mm)
- G. Modèles de 24 po : Minimum de 24<sup>3</sup>/<sub>16</sub> po (614,4 mm)  
Modèles de 30 po : Minimum de 30<sup>1</sup>/<sub>4</sub> po (768,4 mm)
- H. 14<sup>13</sup>/<sub>16</sub> po (376,24 mm) au bas de la cale de bride antibasculément
- I. Minimum de 1 po (25,40 cm)
- J. Profondeur minimale de 24 po (609,60 mm)
- K. 22<sup>1</sup>/<sub>8</sub> po (561,98 mm) d'un tasseau de montage à l'autre
- L. 1<sup>7</sup>/<sub>8</sub> po (47,62 mm)
- M. Ouverture de 16<sup>7</sup>/<sub>8</sub> po (428,62 mm)
- N. La plateforme doit supporter 100 lb (45,4 kg)
- O. 16<sup>1</sup>/<sub>8</sub> po (409,56 mm)
- P. 0 po (0 mm) = en affleurement
- Q. JMDFS24GS modèle - 1<sup>5</sup>/<sub>8</sub> po (41,28 mm)  
JMDFS30HL modèle - 1<sup>11</sup>/<sub>16</sub> po (42,86 mm)  
JMDFS24HM modèle - 1<sup>3</sup>/<sub>4</sub> po (44,45 mm)  
JMDFS30HM modèle - 1<sup>3</sup>/<sub>4</sub> po (44,45 mm)
- R. 15<sup>9</sup>/<sub>16</sub> po (395,3 mm)

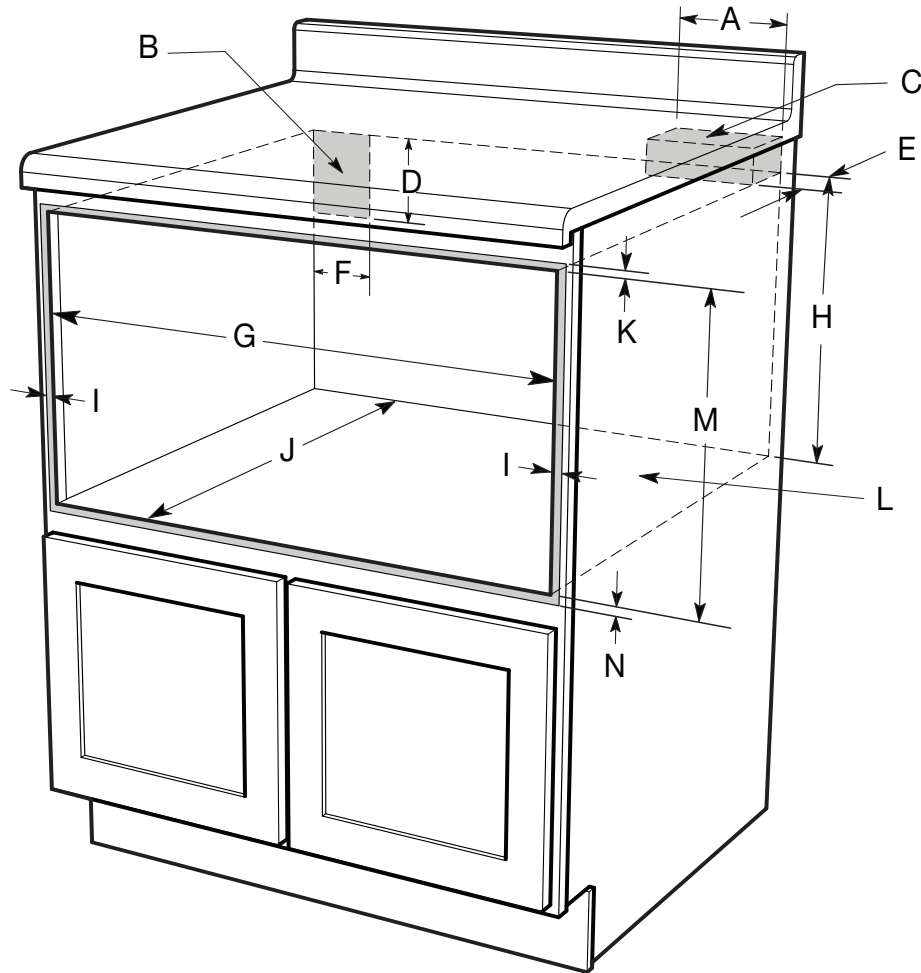


# SUPPORT STANDARD POUR TROUSSE DE GARNITURE DE 27 PO (68,6 CM)

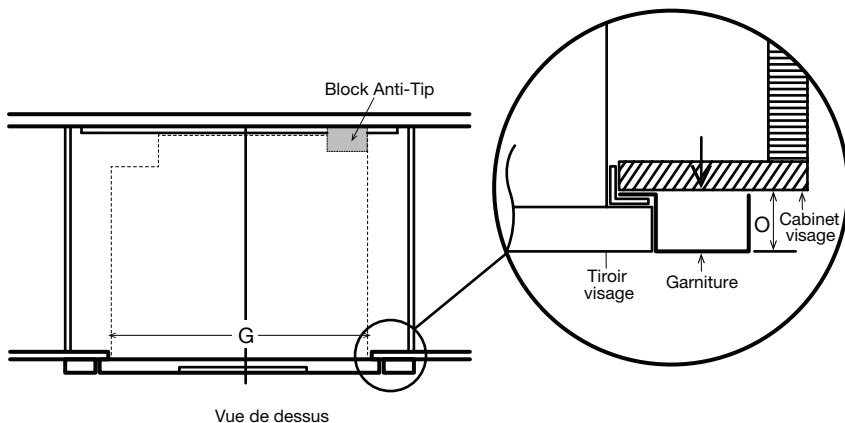
(à utiliser avec JMDFS24GS ou JMDFS24HM)

## Préparation de l'armoire

### Dimensions de l'armoire



- A. Minimum de 6 po (152,40 mm), maximum de 16 po (406,40 mm)
- B. Emplacement suggéré de la prise électrique
- C. Cale de bride antibasculement
- D. 3 po (76,20 mm)
- E. 3<sup>1</sup>/<sub>2</sub> po (88,90 mm)
- F. 4.5 po (114,30 mm)
- G. Ouverture de 22<sup>1</sup>/<sub>8</sub> po (561,98 mm)
- H. 14<sup>13</sup>/<sub>16</sub> po (376,24 mm) au bas de la cale de bride antibasculement
- I. Permettre un chevauchement de 2<sup>3</sup>/<sub>8</sub> po (60,5 mm)
- J. Profondeur minimale de 24 po (609,60 mm)
- K. Permettre 9/16 po (5,62 mm)
- L. La plateforme doit supporter 100 lb (45,4 kg)
- M. Ouverture de 15<sup>9</sup>/<sub>16</sub> po (395,27 mm)
- N. Permettre un chevauchement de 3/4 po (19,05 mm)
- O. JMDFS24GS modèle - 1<sup>5</sup>/<sub>8</sub> po (41,28 mm)  
JMDFS24HM modèle - 1<sup>3</sup>/<sub>4</sub> po (44,45 mm)



Vue de dessus

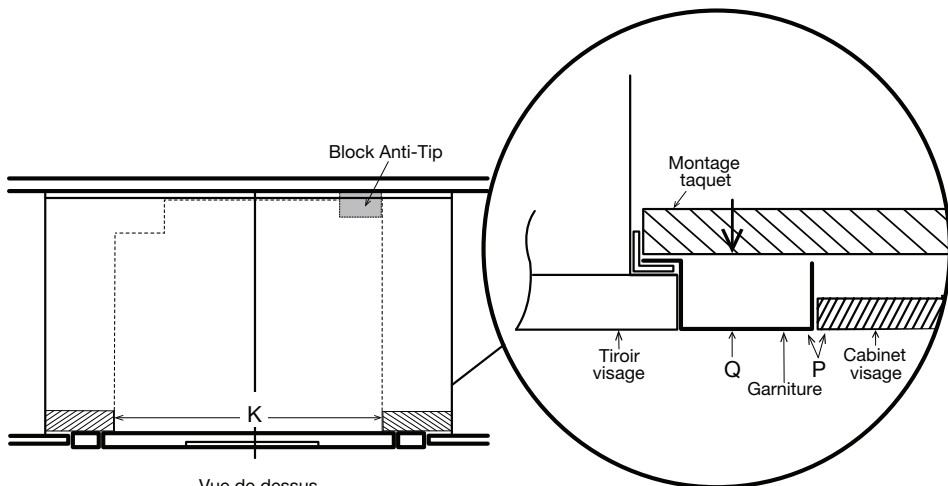
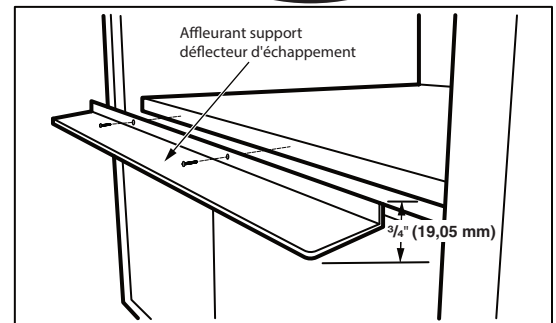
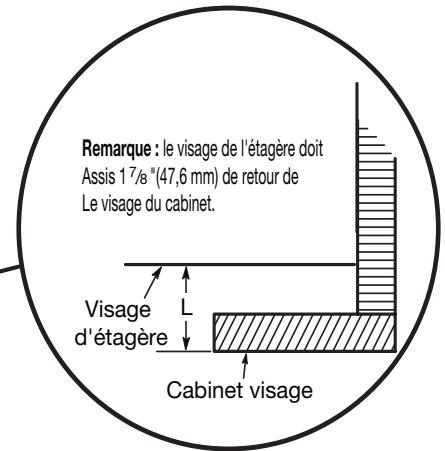
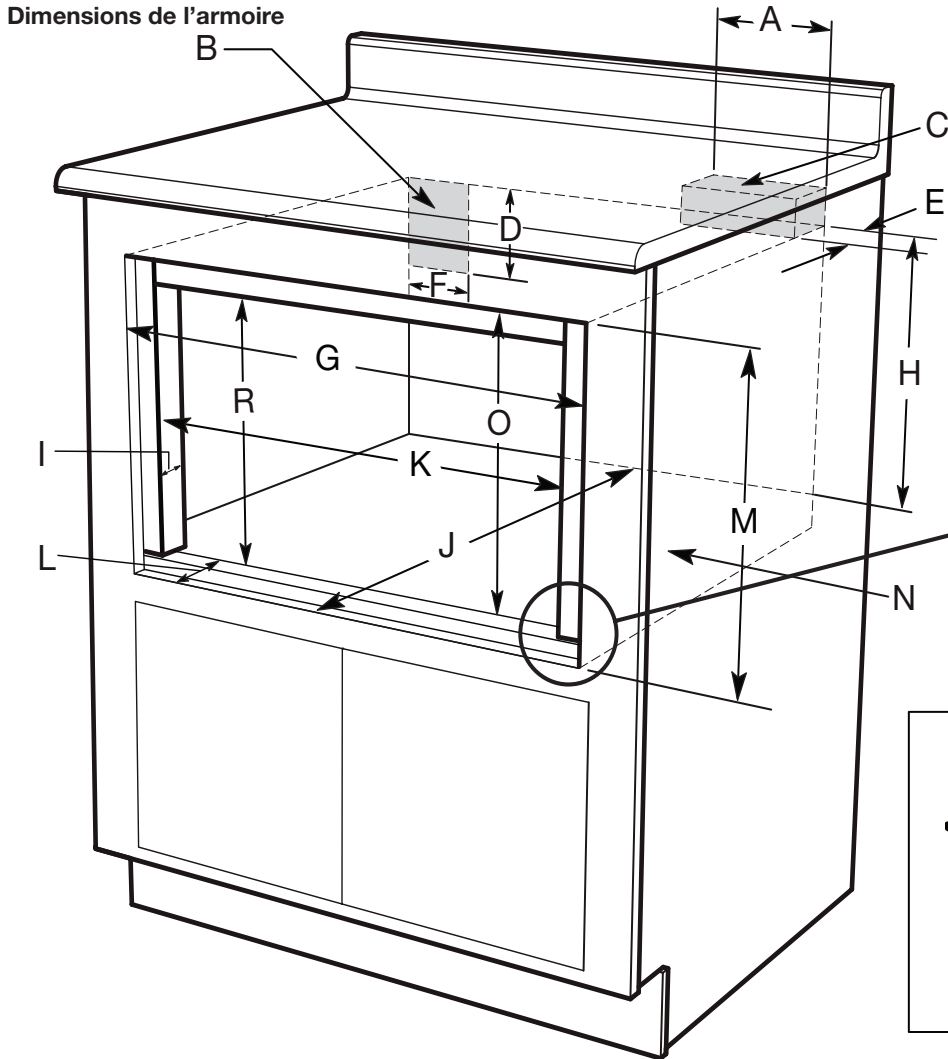


# EN AFFLEUREMENT POUR TROUSSE DE GARNITURE DE 27 PO (68,6 CM)

(à utiliser avec JMDFS24GS ou JMDFS24HM)

## Préparation de l'armoire

Dimensions de l'armoire



Vue de dessus

- A. Minimum de 6 po (152,40 mm), maximum de 16 po (406,40 mm)
- B. Emplacement suggéré de la prise électrique
- C. Cale de bride antibasculement
- D. 3 po (76,20 mm)
- E. 3 1/2 po (88,90 mm)
- F. 4.5 po (114,30 mm)
- G. Minimum de 27 1/8 po (689 mm)
- H. 14 13/16 po (376,24 mm) au bas de la cale de bride antibasculement
- I. Minimum de 1 po (25,40 cm)
- J. Profondeur minimale de 24 po (609,60 mm)
- K. 22 1/8 po (561,98 mm) d'un tasseau de montage à l'autre
- L. 1 7/8 po (47,62 mm)
- M. Ouverture de 16 7/8 po (428,62 mm)
- N. La plateforme doit supporter 100 lb (45,4 kg)
- O. 16 1/8 po (409,56 mm)
- P. 0 po (0 mm) = en affleurement
- Q. JMDFS24GS modèle - 1 5/8 po (41,28 mm)  
JMDFS24HM modèle - 1 3/4 po (44,45 mm)
- R. 15 9/16 po (395,3 mm)

# INSTRUCTIONS D'INSTALLATION

## Installation de la cale de bride antibasculement

### **⚠️ AVERTISSEMENT**



#### Risque d'écrasement

Le tiroir à micro-ondes peut basculer et tomber de l'ouverture.

Fixer la cale de bride anti-basculement au mur, conformément aux instructions d'installation.

Le non-respect de cette instruction peut causer une blessure ou une brûlure grave.

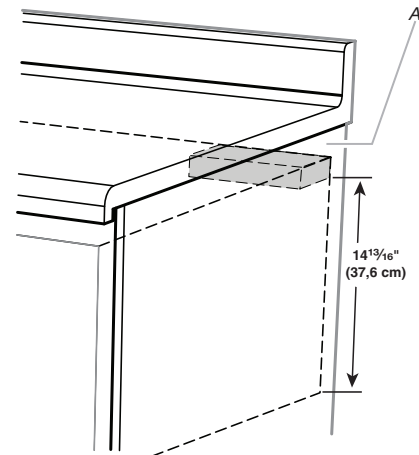
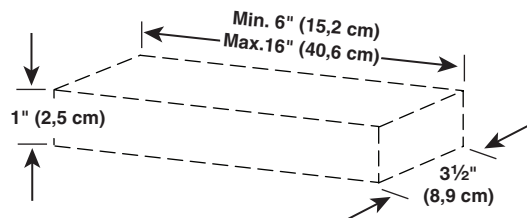
Pour réduire le risque de basculement du tiroir, la cale de bride antibasculement doit être correctement installée à  $14^{13}/16$  po (37,6 cm) au-dessus du sol sur lequel le tiroir à micro-ondes sera installé. Si le tiroir est enlevé puis installé à un autre endroit, la cale de bride antibasculement doit également être enlevée et réinstallée.

1. Mesurer  $14^{13}/16$  po à partir de l'ouverture découpée au plancher, où le tiroir à micro-ondes sera installé, et tracer une ligne au mur.
2. Placer le bas de la cale de bride antibasculement sur cette ligne et la fixer au mur à l'aide de vis. S'assurer que les vis sont vissées dans un montant de bois ou d'acier.

#### REMARQUES :

- La cale de bride antibasculement doit être fixée avant l'installation du tiroir à micro-ondes.
- La cale de bride antibasculement doit être fournie par l'installateur.
- Lors de son installation, s'assurer que les vis n'endommagent pas de câbles électriques ou de conduits de plomberie.

#### Dimensions de la cale de bride antibasculement.



A. Bloc Anti-Tip

À l'aide de vis à bois solides (fournies par l'installateur), installer solidement la cale antibasculement dans l'angle supérieur droit de l'ouverture découpée, en s'assurant que la cale est parfaitement stable. La partie inférieure de la cale doit se trouver à  $14^{13}/16$  po (37,6 cm) de l'ouverture découpée au plancher.

## Installation du tiroir à micro-ondes

### **⚠️ AVERTISSEMENT**

#### Risque du poids excessif

Utiliser deux ou plus de personnes pour déplacer et installer le four à micro-ondes.

Le non-respect de cette instruction peut causer une blessure au dos ou d'autre blessure.

1. Vider le tiroir à micro-ondes de tout article.
2. À l'aide d'au moins deux personnes, faire glisser complètement le tiroir à micro-ondes dans l'ouverture d'encastrement et le centrer dans l'ouverture.
3. Ouvrir le tiroir à micro-ondes et marquer l'emplacement des quatre trous dans le rebord de montage.

**REMARQUE :** Les trous de vis dans le rebord de montage des deux côtés doivent être situés complètement sur la boiserie du mur ou de l'armoire.

4. Retirer le tiroir à micro-ondes.
5. À l'aide d'un foret de  $1/8$  po (3,17 mm), percer quatre trous dans l'armoire, aux emplacements marqués à l'étape 3.
6. Préparer les trous en installant une vis de 1 po (2,5 cm) dans chaque trou, puis en la retirant.

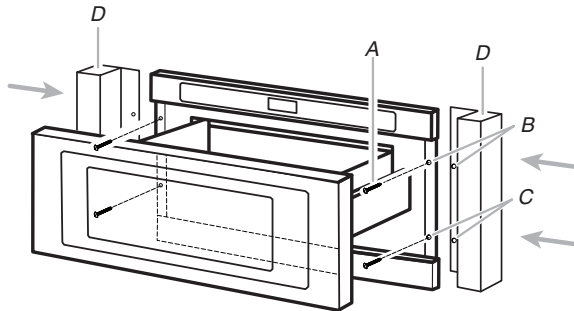
## ⚠ AVERTISSEMENT



### Risque de choc électrique

- Brancher sur une prise à 3 alvéoles reliée à la terre.**
- Ne pas enlever la broche de liaison à la terre.**
- Ne pas utiliser un adaptateur.**
- Ne pas utiliser un câble de rallonge.**
- Le non-respect de ces instructions peut causer un décès, un incendie ou un choc électrique.**

7. Tout en gardant le tiroir à micro-ondes à proximité de l'ouverture d'encastrement, brancher le tiroir à micro-ondes dans la prise reliée à la terre.
8. Réinsérer le tiroir à micro-ondes dans l'ouverture, ouvrir le tiroir et aligner les trous du rebord de montage avec les trous de l'armoire.



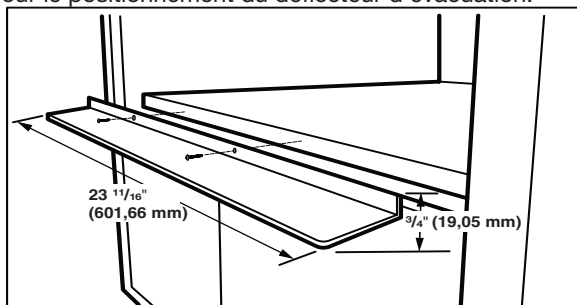
- A. (4) Vis de montage de 1 po (2,5 cm)  
 B. Trous de vis du rebord de montage  
 C. Rebord de montage  
 D. Pièces optionnelles de la trousse de garniture de 27 po (68,6 cm)

**REMARQUE :** Pour la trousse de garniture latérale de 27 po (68,6 cm), aligner les trous de la garniture de côté avec les trous du cadre avant, puis pousser le produit dans l'ouverture. Fixer ensuite à l'aide des vis comme indiqué à l'étape 9.

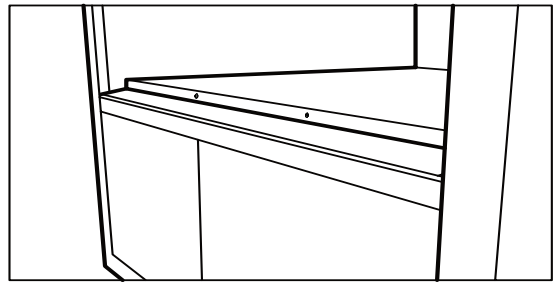
9. Installer les quatre vis de 1 po (2,5 cm) pour immobiliser le tiroir à micro-ondes, puis fermer le tiroir.

## Installer le déflecteur d'évacuation pour une installation en affleurement

1. Positionner le déflecteur d'évacuation et marquer les trous.
2. Percer les trous à l'aide d'un foret de 1/8 po (3,17 mm) avant d'effectuer le montage. Consulter les illustrations ci-après pour le positionnement du déflecteur d'évacuation.



Détail de la tablette montrant le déflecteur d'évacuation pendant l'installation.



Détail de la tablette montrant le déflecteur d'évacuation installé.

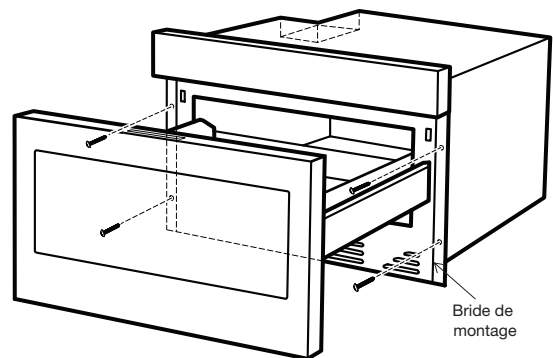
## ⚠ AVERTISSEMENT



### Risque de choc électrique

- Brancher sur une prise à 3 alvéoles reliée à la terre.**
- Ne pas enlever la broche de liaison à la terre.**
- Ne pas utiliser un adaptateur.**
- Ne pas utiliser un câble de rallonge.**
- Le non-respect de ces instructions peut causer un décès, un incendie ou un choc électrique.**

3. Placer le tiroir adjacent à l'ouverture du mur ou de l'armoire. Brancher le cordon d'alimentation dans la prise à trois broches mise à la terre.
4. Installer le tiroir dans l'ouverture prévue à cet effet. Éviter le contact avec les côtés de l'ouverture découpée et éviter de pincer le cordon entre le four et le mur.
5. Glisser le tiroir jusqu'au fond, jusqu'à ce que les rebords de montage touchent les tasseaux montés dans l'ouverture de l'armoire.
6. Ouvrir le tiroir. En utilisant comme gabarit les 4 trous sur le tiroir, percer l'armoire à l'aide d'un foret de 1/8 po (3,17 mm). Voir l'illustration ci-dessous. Rebord de montage.



7. Fixer le tiroir au moyen de 4 vis fournies.

---

## Terminer l'installation

1. Contrôler le fonctionnement du tiroir à micro-ondes : placer dans le tiroir à micro-ondes 1 récipient contenant 1 tasse (250 ml) d'eau et programmer une période de chauffage de 1 minute à la puissance maximale (100 %).
2. Si le tiroir à micro-ondes ne fonctionne pas : Déterminer si un fusible est grillé ou si un disjoncteur s'est déclenché.
  - Remplacer le fusible ou réenclencher le disjoncteur. Si le problème persiste, appeler un électricien.
  - Vérifier que le cordon d'alimentation est correctement branché sur une prise reliée à la terre.
  - Pour l'information relative au dépannage, consulter le Guide d'utilisation et d'entretien.

L'installation est maintenant terminée.

Conserver les Instructions d'installation pour une éventuelle réutilisation future.

---

## ASSISTANCE

Appelez le marchand local autorisé ou le centre de service agréé. Lors de votre appel, vous aurez besoin des numéros de modèle et de série du tiroir à micro-ondes, qui se trouvent sur la plaque signalétique.

Pour obtenir plus d'assistance, contactez-nous au numéro sans frais ou visitez notre site Web (voir le Guide d'utilisation).

Pour accéder à la plaque signalétique, ouvrez complètement le tiroir à micro-ondes. La plaque signalétique se trouve sur une surface plane, juste derrière la paroi arrière du tiroir.