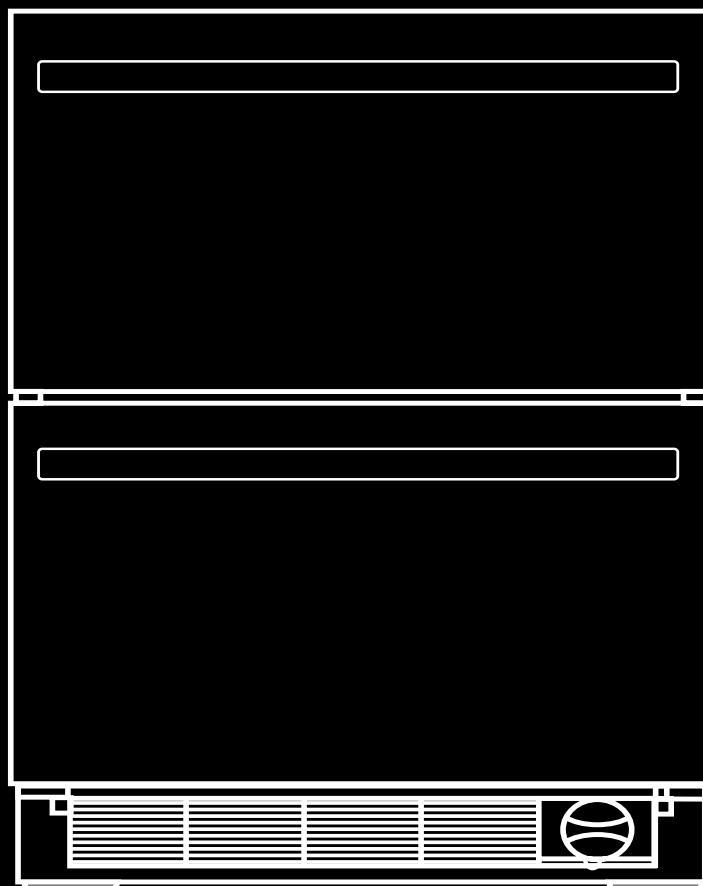


**USE AND CARE GUIDE AND  
INSTALLATION INSTRUCTIONS  
DOUBLE REFRIGERATOR DRAWERS/REFRIGERATOR/  
FREEZER DRAWERS**

**GUIDE D'UTILISATION ET D'ENTRETIEN  
ET INSTRUCTIONS D'INSTALLATION  
TIROIRS RÉFRIGÉRANTS DOUBLES/RÉFRIGÉRATEUR/  
TIROIRS DE CONGÉLATION**



For questions about features, operation/performance, parts, accessories, or service, call:  
**1-800-JENNAIR (1-800-536-6247)** or visit our website at **www.jennair.com**.  
In Canada, call: **1-800-JENNAIR (1-800-536-6247)**, or visit our website at **www.jennair.ca**.

Pour des questions à propos des caractéristiques, du fonctionnement/rendement,  
des pièces, accessoires ou service, composer le :  
**1 800 JENNAIR (1 800 536-6247)** ou visiter notre site Web au **www.jennair.com**.  
Au Canada, composer le : **1 800 JENNAIR (1 800 536-6247)** ou visiter notre site Web au **www.jennair.ca**.



**JENNAIR®**

## TABLE OF CONTENTS

INTRODUCTION	
Safety.....	3
Proper Disposal of your old Refrigerator .....	4
Design configuration .....	4
Features.....	5
INSTALLATION REQUIREMENTS	
Tools and Parts.....	6
Location Requirements.....	6
Product Dimensions.....	7
Custom Overlay Drawer Panels.....	8
Electrical Requirements.....	9
Water Supply Requirements (Refrigerator/Freezer Drawers only).....	9
INSTALLATION INSTRUCTIONS	
Unpack The Refrigerator Drawers .....	10
Connect Water Supply (Refrigerator/Freezer Drawers only).....	10
Move the Refrigerator Drawers to Final Location .....	11
Install Custom Overlay Panel.....	11
Level the Refrigerator Drawers .....	12
Complete Installation.....	12
REFRIGERATOR DRAWERS USE	
Controls.....	13
Normal Sounds.....	15
Ensuring Proper Air Circulation .....	15
Ice Maker.....	15
CARE AND CLEANING	
Cleaning .....	16
Changing the Water Filter.....	16
Power Interruptions .....	16
Vacation Care.....	17
TROUBLESHOOTING	
Operation.....	17
Temperature Moisture.....	17
Drawers.....	18
ASSISTANCE	
In the U.S.A.....	19
In Canada.....	19
Accessories .....	19
Product Data Sheet.....	20
Warranty.....	21

## TABLE DES MATIÈRES

INTRODUCTION	
Sécurité.....	23
Mise au rebut du vieux réfrigérateur.....	24
Configuration .....	24
Caractéristiques .....	25
EXIGENCES D'INSTALLATION	
Outils et pièces .....	26
Exigences d'emplacement.....	26
Dimensions du produit.....	27
Panneaux décoratifs de tiroirs personnalisés.....	28
Spécifications électriques.....	29
Spécifications de l'alimentation en eau (réfrigérateur et tiroir de congélation seulement) .....	29
INSTRUCTIONS D'INSTALLATION	
Déballage du tiroir de réfrigération .....	30
Raccordement de l'alimentation en eau (réfrigérateur et tiroir de congélation seulement)....	30
Déplacement des tiroirs de réfrigération à leur emplacement final .....	31
Installation du panneau décoratif personnalisé.....	31
Réglage de l'aplomb des tiroirs de réfrigération .....	32
Terminer l'installation.....	32
UTILISATION DES TIROIRS DE RÉFRIGÉRATION	
Commandes.....	33
Sons normaux .....	35
Pour assurer une circulation d'air correcte .....	35
Machine à glaçons .....	35
ENTRETIEN ET NETTOYAGE	
Nettoyage.....	36
Remplacement du filtre à eau.....	36
Pannes de courant.....	37
Entretien avant les vacances .....	37
DÉPANNAGE	
Utilisation.....	37
Température et humidité.....	37
Tiroirs .....	38
ASSISTANCE	
Aux É.-U.....	39
Au Canada.....	39
Accessoires .....	39
Fiches de données de produits .....	40
Garantie .....	41

# INTRODUCTION

## SAFETY

### Your safety and the safety of others are very important.

We have provided many important safety messages in this manual and on your appliance. Always read and obey all safety messages.



This is the safety alert symbol.

This symbol alerts you to potential hazards that can kill or hurt you and others.

All safety messages will follow the safety alert symbol and either the word "DANGER" or "WARNING."

These words mean:

**⚠ DANGER**

**You can be killed or seriously injured if you don't immediately follow instructions.**

**⚠ WARNING**

**You can be killed or seriously injured if you don't follow instructions.**

All safety messages will tell you what the potential hazard is, tell you how to reduce the chance of injury, and tell you what can happen if the instructions are not followed.

### IMPORTANT SAFETY INSTRUCTIONS

**WARNING:** To reduce the risk of fire, electric shock, or injury when using your refrigerator drawer(s), follow these basic precautions:

- Plug into a grounded 3 prong outlet.
- Do not remove ground prong.
- Do not use an adapter.
- Do not use an extension cord.
- Disconnect power before servicing.
- Connect to potable water supply.
- Replace all parts and panels before operating.
- Remove door or drawer(s) from your old refrigerated appliance.
- Use non flammable cleaner.
- Do not store or use petrol, flammable liquids or gas in the vicinity of this or other electrical appliances. The fumes can cause fires or explosions.
- Do not store explosive substances such as aerosol cans with a flammable propellant in this refrigerator drawer(s).
- Do not use or place electrical devices inside the refrigerator drawer(s) compartments if they are not of the type expressly authorized by the manufacture.
- Use two or more people to move and install refrigerator drawer(s).
- This appliance is not intended for use by persons (including children) with reduced physical, sensory or mental capabilities, or lack of experience and knowledge, unless they have been given supervision or instruction concerning use of the appliance by a person responsible for their safety.
- Children should be supervised to ensure that they do not play with the appliance.
- To avoid the risk of children becoming trapped and suffocating, do not allow them to play or hide inside the refrigerator drawer(s).
- If the power supply cord is damaged, it must be replaced by the manufacturer or its service agent or a similarly qualified person.
- Keep ventilation openings, in the appliance enclosure or in the built-in structure, clear of obstruction.
- Do not use mechanical devices or other means to accelerate the defrosting process, other than those recommended by the manufacturer.
- Do not damage the refrigerant circuit.

**SAVE THESE INSTRUCTIONS**

## PROPER DISPOSAL OF YOUR OLD REFRIGERATOR

### **! WARNING**

#### **Suffocation Hazard**

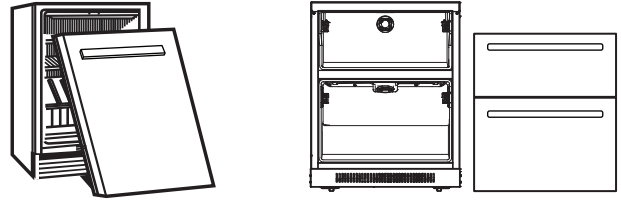
**Remove door or drawer(s) from your old refrigerated appliance.**

**Failure to do so can result in death or brain damage.**

**IMPORTANT:** Child entrapment and suffocation are not problems of the past. Junked or abandoned refrigerators are still dangerous – even if they will sit for “just a few days.” If you are getting rid of your old refrigerator, please follow these instructions to help prevent accidents.

### **Before You Throw Away Your Old Refrigerator:**

- Remove the door or drawer(s).



#### **Important information to know about disposal of refrigerants:**

Dispose of refrigerator in accordance with Federal and Local regulations. Refrigerants must be evacuated by a licensed, EPA certified refrigerant technician in accordance with established procedures.

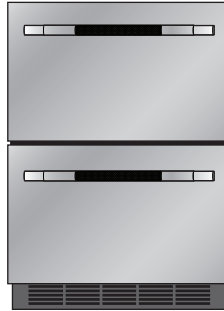
## DESIGN CONFIGURATION

### **DOUBLE REFRIGERATOR DRAWERS**

Refrigerator drawers provide additional storage options in the kitchen or other areas of the home.



JUDFP242HM



JUDFP242HL



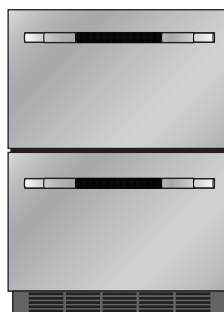
JUDFP242HX

### **REFRIGERATOR/FREEZER DRAWERS (WITH ICE MAKER AND WATER FILTER)**

Upper refrigerator drawer and lower freezer drawer provide additional storage options in the kitchen or other areas of the home. Factory-installed ice maker in lower drawer ensures a constant supply of ice on hand at all times.



JUCFP242HM

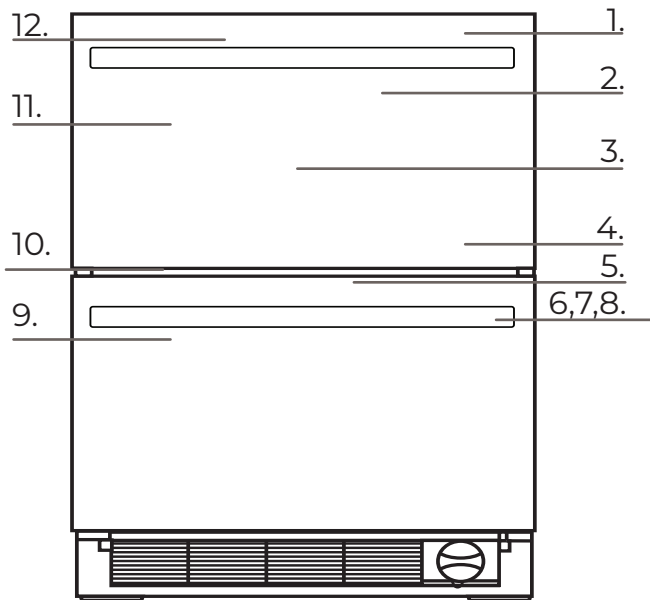


JUCFP242HL



JUCFP242HX

## FEATURES



### 1. Stealth Flush Design

Create an unbroken silhouette. Discreet 1/8" envelop every side, without exposed hinges or trim pieces.

### 2. Daring Obsidian Interior

Inspired by volcanic glass, this dark finish erupts with reflective, high-contrast style. Let the object of your desire emerge like vibrant art, begging to be consumed.

### 3. Sabbath Mode

Allows the refrigerator or freezer to be opened or closed on the Sabbath or other religious holidays without directly turning on or off any lights, digital readouts, fans, valves, tones or alarms.

### 4. Over Temp Alarm

Chimes when the temperature in either drawer rises above 45°F (7°C) for longer than 10 minutes.

### 5. LED Lighting

LED lights instinctively come alive, chasing away shadows to reveal vivid details.

### 6. RISE™ Design Expression

Embrace an era of striking proportions. A stainless steel suite of armor gleams with spectacular light. This is strength—inextricable from beauty. Forged in the fires of progress, the RISE™ design expression towers over stagnant, uninspired designs that have inherited undeserved standing.

### 7. NOIR™ Design Expression

Lose yourself in a world that's yours alone. Crisp silhouettes crackle with mystique; beguiling reflections flow in and out of sight. Taut with ceaseless allure and minimalist appeal, the NOIR™ design expression rejects dated ideals of beauty.

### 8. Custom Panel Overlay

Break free with custom panels that allow unapologetic expression. Custom panels and handles must be purchased separately.

### 9. Drawer Open Alarm

Helps prevent food spoilage by sounding an alarm at 2-minute intervals when either drawer is open for longer than 5 minutes.

### 10. Drawer Dividers

Divide and conquer. Add or remove barriers to organize each drawer as you see fit.

### 11. Hushed Acoustics

Our internal compressor keeps your beverages impeccably chilled, while running unobtrusively in the background. Brilliance doesn't have to announce itself; it just is.

### 12. Max Cool Option

Plummet internal temperatures to their lowest point for 24 hours.

# INSTALLATION REQUIREMENTS

## TOOLS AND PARTS

Gather the required tools and parts before starting installation.

Read and follow the instructions provided with any tools listed here.

### TOOLS AND PARTS NEEDED:

- Phillips screwdriver
- Cordless drill
- 1/8" Drill bit
- Tape measure
- Level

### ADDITIONAL TOOLS NEEDED (CUSTOM OVERLAY PANEL ONLY):

- Scissors
- Pencil
- Scribe

### PARTS NEEDED (CUSTOM OVERLAY PANEL ONLY):

- Custom Overlay Drawer Panels — See “Custom Overlay Drawer Panels.”
- Hardware

### PARTS NEEDED (CUSTOM OVERLAY PANEL ONLY):

- Hooks (8)
- Screws (16)
- Self-tap wood screws (4)

## LOCATION REQUIREMENTS

**⚠ WARNING**



**Explosion Hazard**

**Keep flammable materials and vapors, such as gasoline, away from refrigerator drawer(s).**

**Failure to do so can result in death, explosion, or fire.**

**IMPORTANT:** This appliance is intended to be used in household and similar applications such as:

- Staff kitchen areas in shops, office and other working environments;
- Farm houses and by clients in hotels, motels and other residential type environments;
- Bed and breakfast type environments;
- Catering and similar non-retail applications.

## NOTES:

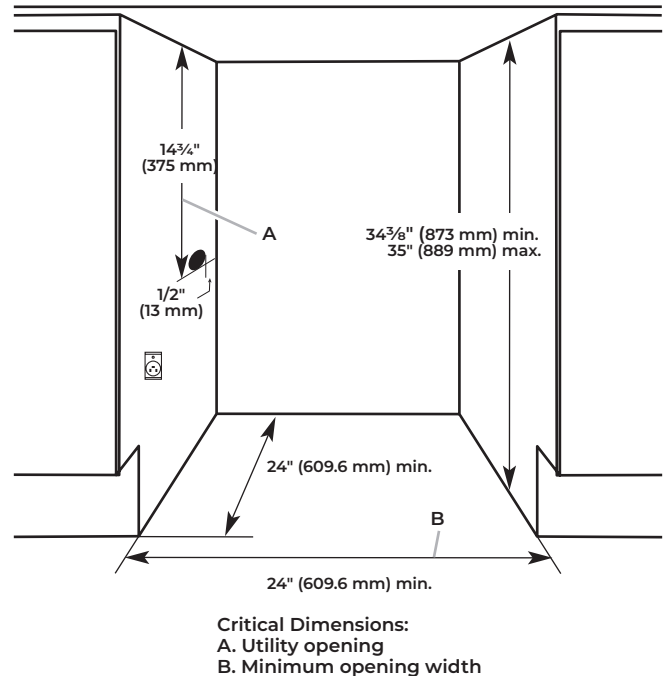
- For the refrigerator drawers to be flush with the front of the base cabinets remove any baseboards or moldings from the rear of the opening. See “Product Dimensions” and later in this section “Opening Dimensions”
- It is recommended that you do not install the refrigerator drawers near an oven, radiator, or other heat source.
- Do not install in a location where the temperature will fall below 55°F (13°C).

## OPENING DIMENSIONS

- Height dimensions are shown with the leveling legs extended to the minimum height of 1/4" (6 mm) below the refrigerator drawers.

**NOTE:** When leveling legs are fully extended to 1" (25 mm) below the refrigerator drawers, add 3/4" (19 mm) to the height dimensions. See “Product Dimensions.”

- If the floor of the opening is not level with the kitchen floor, shim the opening to make it level with the kitchen floor.

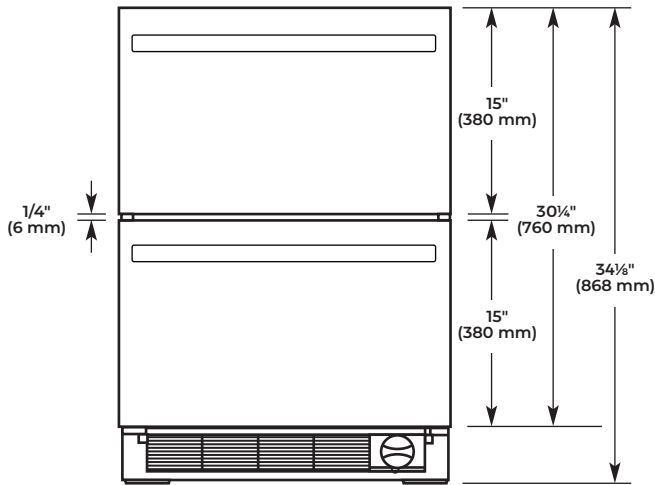


## PRODUCT DIMENSIONS

### DRAWER HEIGHT DIMENSIONS

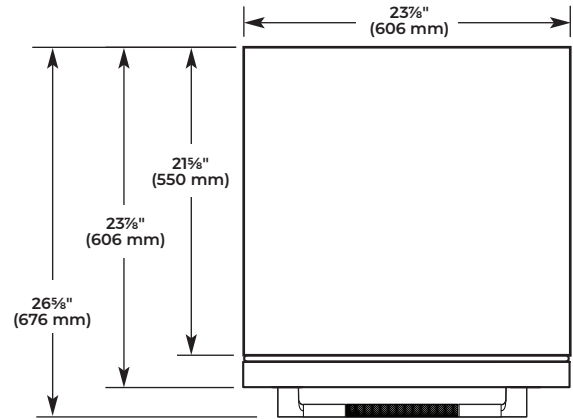
- Height dimensions are shown with the leveling legs extended to 1/4" (6 mm) below the refrigerator drawers.
- When leveling legs are fully extended to 1" (25 mm) below the refrigerator drawers, add 3/4" (19 mm) to the height dimensions.
- The power cord is 60" (1.52 m) long.

### RISE™/NOIR™/OVERLAY (FRONT VIEW)

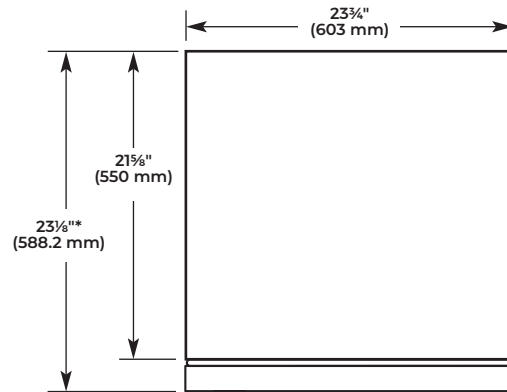


### DRAWER WIDTH DIMENSIONS

#### RISE™/NOIR™ (TOP VIEW)



#### OVERLAY (TOP VIEW)



**\*DIMENSION INCLUDES 3/4" (19 mm) THICK CUSTOM DRAWER PANEL**

## CUSTOM OVERLAY DRAWER PANELS

If you plan to install custom wood panels, you will need to create the panels yourself or consult a qualified cabinetmaker or carpenter. See dimension drawings for panel specifications.

### IMPORTANT:

- The thickness of the overlay panels must be  $\frac{3}{4}$ " (19 mm).
- To avoid damage to the drawers, each overlay panel must not weigh more than 10 lbs (4.5 kg).
- Do not exceed the height dimension for the overlay panels. Panels that exceed the height dimension may damage the refrigerator drawers, cabinets or countertop.
- The width of the overlay panels may vary according to the width of the cabinet opening.

- For the installation of the customer panel, you will need the following parts:

- 16 screws (SS Flat M4x12 tapping 1)
- 4 Self-tap wood screws
- 4 Drawer overlay hook plate right (SPHC T=2.3)
- 4 Drawer overlay hook plate left (SPHC T=2.3)



A

B



C



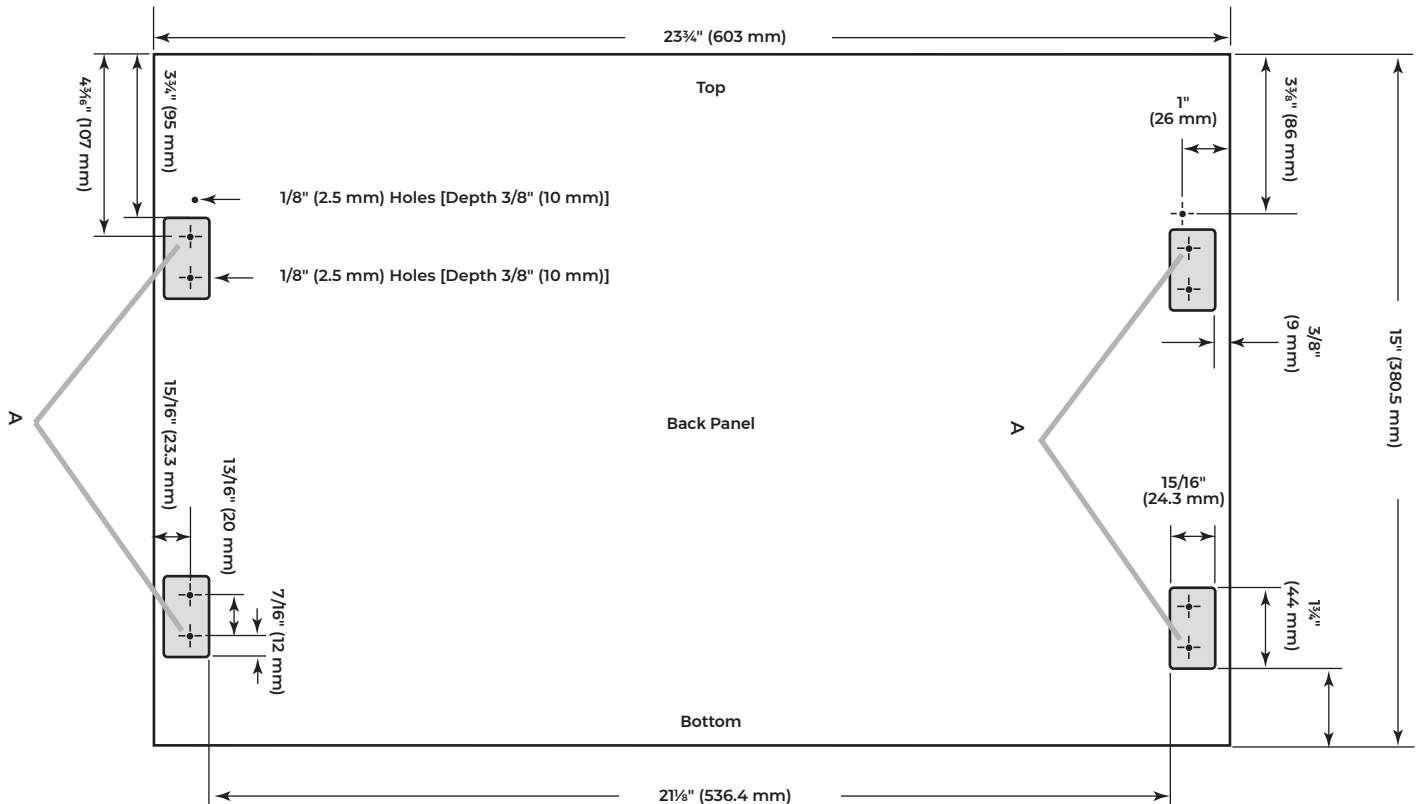
D

A. SS Flat M4x12 tapping screws  
B. Self-tap wood screws

C. Overlay hook plate right  
D. Overlay hook plate left

**NOTE:** Some or all parts may or may not be included. If your product does not include these parts, contact Assistance or Service or ask a specialist.

### TOP AND BOTTOM OVERLAY DRAWER PANEL DIMENSIONS



A.Router 1/8" (2.5 mm) deep.



## ELECTRICAL REQUIREMENTS

### **⚠ WARNING**



#### **Electrical Shock Hazard**

**Plug into a grounded 3 prong outlet.**

**Do not remove ground prong.**

**Do not use an adapter.**

**Do not use an extension cord.**

**Failure to follow these instructions can result in death, fire, or electrical shock.**

Before you move your refrigerator drawers into its final location, it is important to make sure you have the proper electrical connection.

#### **RECOMMENDED GROUNDING METHOD**

A 115 V, 60 Hz, AC only, 15 or 20 A fused, grounded electrical supply is required. It is recommended that a separate circuit serving only your refrigerator drawers be provided. Use an outlet that cannot be turned off by a switch. Do not use an extension cord.

**NOTE:** Before performing any type of installation, cleaning, or removing a light bulb, unplug refrigerator drawers or disconnect power.

## **WATER SUPPLY REQUIREMENTS (REFRIGERATOR/FREEZER DRAWERS ONLY)**

Gather the required tools and parts before starting installation. Read and follow the instructions provided with any tools listed here.

#### **IMPORTANT:**

- Connect to potable water supply.

Do not use with water that is microbiologically unsafe or of unknown quality without adequate disinfection before or after the system. Systems certified for cyst reduction may be used on disinfected waters that may contain filterable cysts.

- If you turn ON the refrigerator drawers before the water line is connected, turn OFF the ice maker.
- All installations must meet local plumbing code requirements.
- Use copper tubing and check for leaks. Install copper tubing only in areas where the household temperatures will remain above freezing.

**TOOLS NEEDED:** Flat-blade screwdriver, 7/16" and 1/2" open-end wrenches or two adjustable wrenches, 1/4" nut driver and drill bit, cordless drill.

**NOTE:** Your refrigerator dealer has a kit available with a 1/4" (6 mm) saddle-type shutoff valve, a union, and copper tubing. Before purchasing, make sure a saddle-type valve complies with your local plumbing codes. Do not use a piercing-type or 3/16" (4.76 mm) saddle valve which reduces water flow and clogs more easily.

#### **WATER PRESSURE**

A cold water supply with water pressure of between 30 and 120 psi (207 and 827 kPa) is required to operate ice maker. If you have questions about your water pressure, call a licensed, qualified plumber.

#### **REVERSE OSMOSIS WATER SUPPLY**

**IMPORTANT:** The pressure of the water supply coming out of a reverse osmosis system going to the water inlet valve of the refrigerator needs to be between 30 and 120 psi (207 and 827 kPa).

If a reverse osmosis water filtration system is connected to your cold water supply, the water pressure to the reverse osmosis system needs to be a minimum of 40 to 60 psi (276 to 414 kPa).

If the water pressure to the reverse osmosis system is less than 40 to 60 psi (276 to 414 kPa):

- Check to see whether the sediment filter in the reverse osmosis system is blocked. Replace the filter if necessary.
- Allow the storage tank on the reverse osmosis system to refill after heavy usage.

If you have questions about your water pressure, call a licensed, qualified plumber.

# INSTALLATION INSTRUCTIONS

## UNPACK THE REFRIGERATOR DRAWERS

### **! WARNING**

#### **Excessive Weight Hazard**

Use two or more people to move and install refrigerator drawer(s).

Failure to do so can result in back or other injury.

## REMOVE THE PACKAGING

Remove tape and glue residue from surfaces before turning on the refrigerator drawers. Rub a small amount of liquid dish soap over the glue residue with your fingers. Wipe with warm water and dry. Do not use sharp instruments, rubbing alcohol, flammable fluids, or abrasive cleaners to remove tape or glue.

These products can damage the surface of your refrigerator drawers. Properly dispose of packaging.

### **When Moving Your Refrigerator Drawers:**

Your refrigerator drawers are heavy. When moving the appliance for service, be sure to cover the floor with cardboard or hardboard to avoid floor damage. Always pull the appliance straight out when moving it. Do not wiggle or "walk" the appliance when trying to move it, as floor damage could occur.

## CLEAN BEFORE USING

After you remove all of the package materials, clean the inside of your refrigerator drawers before using them. See "Cleaning."

## CONNECT WATER SUPPLY (REFRIGERATOR/FREEZER DRAWERS ONLY)

### CONNECT TO WATER LINE

Do not use with water that is microbiologically unsafe or of unknown quality without adequate disinfection before or after the system. Systems certified for cyst reduction may be used on disinfected waters that may contain filterable cysts.

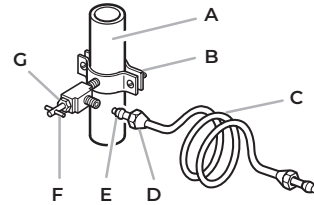
1. Unplug refrigerator drawers or disconnect power.
2. Turn OFF main water supply. Turn ON nearest faucet long enough to clear line of water.
3. Locate a 1/2" to 1 1/4" (12.5 mm to 31.8 mm) vertical cold water pipe near the refrigerator drawers.

#### **IMPORTANT:**

- Make sure it is a cold water pipe.
- Horizontal pipe will work, but drill on the top side of the pipe, not the bottom. This will help keep water away from the drill and normal sediment from collecting in the valve.

4. Determine the length of copper tubing you need. Measure from the connection on the lower left rear of refrigerator drawers to the water pipe. Add 7 ft (2.1 m) to allow for cleaning. Use 1/4" (6 mm) O.D. (outside diameter) copper tubing. Be sure both ends of copper tubing are cut square.

5. Using a cordless drill, drill a 1/4" hole in the cold water pipe you have selected.

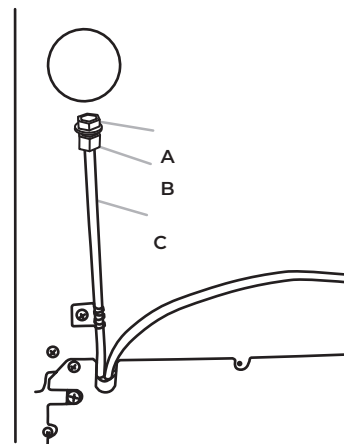


- A. Cold water pipe
- B. Pipe clamp
- C. Copper tubing
- D. Compression nut
- E. Compression sleeve
- F. Shutoff valve
- G. Packing nut

6. Fasten the shutoff valve to the cold water pipe with the pipe clamp. Be sure the outlet end is solidly in the 1/4" drilled hole in the water pipe and that the washer is under the pipe clamp. Tighten the packing nut. Tighten the pipe clamp screws slowly and evenly so washer makes a watertight seal. Do not overtighten or you may crush the copper tubing.
7. Slip the compression sleeve and compression nut on the copper tubing as shown. Insert the end of the tubing into the outlet end squarely as far as it will go. Screw compression nut onto outlet end with adjustable wrench. Do not overtighten.
8. Place the free end of the tubing in a container or sink, and turn ON the main water supply. Flush the tubing until water is clear. Turn OFF the shutoff valve on the water pipe. Coil the copper tubing.

## CONNECT TO REFRIGERATOR

1. Attach the copper tube to the valve inlet using a compression nut and sleeve as shown. Tighten the compression nut. Do not overtighten. Use the tube clamp on the back of the refrigerator drawers to secure the tubing to the refrigerator drawers. This will help avoid damage to the tubing when the refrigerator drawers are pushed back against the wall.
2. Turn ON shutoff valve.
3. Check for leaks. Tighten any connections (including connections at the valve) or nuts that leak.




- A. Plug
- B. Compression nut
- C. Pex tubing

4. The ice maker is equipped with a built-in water strainer. If your water conditions require a second water strainer, install it in the 1/4" (6 mm) water line at either tube connection. Obtain a water strainer from your nearest appliance dealer.
5. Plug in refrigerator drawers or reconnect power.

## MOVE THE REFRIGERATOR DRAWERS TO FINAL LOCATION

1. Place top of cardboard carton or plywood under the appliance. Remove dolly.
2. Do not remove film or cover.

**⚠ WARNING**



**Electrical Shock Hazard**

**Plug into a grounded 3 prong outlet.**

**Do not remove ground prong.**

**Do not use an adapter.**

**Do not use an extension cord.**

**Failure to follow these instructions can result in death, fire, or electrical shock.**

3. Plug into a grounded 3 prong outlet.
4. Move the refrigerator drawers straight back and evenly in front of the opening.

## INSTALL CUSTOM OVERLAY PANEL

### IMPORTANT:

- For standard stainless steel models, skip these instructions and go to "LEVEL THE REFRIGERATOR DRAWERS" section.
- Create a custom overlay panel according to the specifications in "Custom Overlay Drawer Panels."
- JennAir is not responsible for the removal or addition of molding or decorative panels that would not allow access to the refrigerator drawers for service.

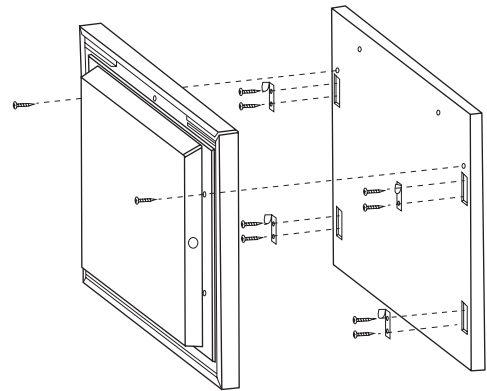
## ATTACH THE OVERLAY PANEL

**NOTE:** If the overlay hooks are not installed, see "Custom Overlay Drawer Panels" for overlay hook locations. The location of the hooks must be as precise as possible. If the custom panel is incorrectly placed, the panel may interfere with optimal use of the drawers.

1. Attach the custom handle of your preference on the overlay before attaching the overlay to the drawer of the refrigerator.

**NOTE:** Custom handles may vary in dimensions. Holes must be made on the panel according to the specific dimensions of your handle.

2. Attach the hooks to their corresponding recessions on the panel, using the SS Flat M4x12 screws. Two screws are needed per hook. The hooks must be on the outer edge of the panel.



3. Gently pull back the gasket from the top corners of the door until you can see the screw that is behind the gasket. There is one screw on each side. It is not necessary to remove the gasket.
4. Remove the screws behind the gasket (one per side).
5. Align the panel to the drawer and position the overlay panel 1/2" (12.5 mm) higher than the door. Position the overlay hooks with the pilot holes and push the hooks into the holes. The drawer has insulant foam in its interior so you may feel some interference while pushing. Push until the hooks go through the foam.

6. Push straight down on the overlay panel to secure the overlay hooks to the drawer.
7. Using the self-tap wood screws (two per drawer; one in each corner of the drawers), attach the panel to the drawer.

**NOTE:** Do not put the screws removed in step 4 back on the door.

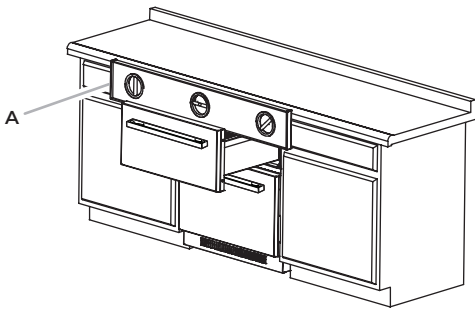
8. Once the overlay is securely attached to the drawer with the two screws, put the gasket back in its place by pressing it against the door until the gasket is even and firmly secured.

## LEVEL THE REFRIGERATOR DRAWERS

### IMPORTANT:

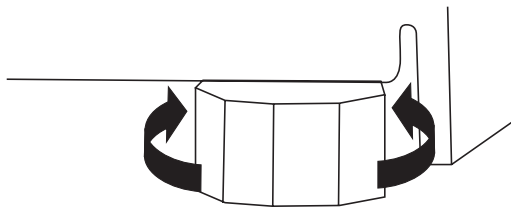
- Overlay Model—Be sure to install the custom overlay drawer panels before leveling the refrigerator drawers. See “Install Custom Overlay Panel.”
- Before installing the refrigerator drawers, be sure that the countertop is level.
- If the countertop is not level, adjust the refrigerator drawers’ leveling legs until the appliance is square with the countertop. Be sure to maintain 3/8" (9.5 mm) minimum gap between the top of the drawer and the countertop.

1. Open the top drawer and place the level across the top drawer as shown. Check the level from left to right.

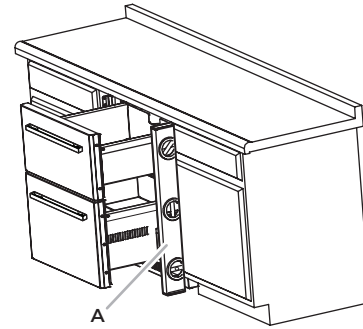


A. Check the level from left to right.

2. Turn the leveling legs (front and back) until the top drawer measures level from left to right.



3. Remove the level and close the top drawer. Check the gap between the top of the drawer and the countertop. If the gap measures less than 3/8" (9.5 mm) minimum, turn all four leveling bolts equally to the left to raise the leveling legs (this will lower the appliance). Recheck the level.
4. Open both drawers less than midway. Place the level on the side flange beside the drawers as shown. Turn the front leveling bolts together in order to either raise or lower the appliance until the sides of the refrigerator drawers are plumb.



A. Check the level from front to back.

5. Remove the level and close the drawers. Recheck the gap between the top of the drawer and the countertop. If the gap measures less than 3/8" (9.5 mm), turn all four leveling bolts equally to raise the leveling legs (this will lower the appliance). Recheck the level.

**NOTE:** Be sure to recheck the horizontal level of the top drawer.

6. Be sure all four levelers are on the floor and supporting the full weight of the refrigerator drawers.

## COMPLETE INSTALLATION

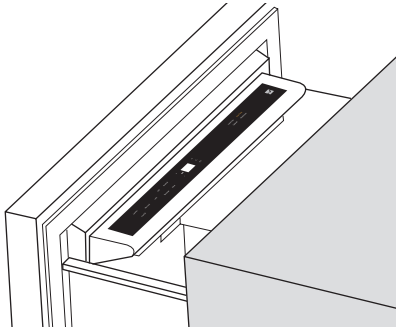
1. Remove all boxes, parts packages and packing materials from the interior of the refrigerator drawers.
2. Remove the film.
3. Clean the refrigerator drawers before use. Refer "CARE AND CLEANING" section.
4. The controls are preset at the factory to the recommended settings. Be sure that the compressor is operating properly and that all the lights are working.
5. If construction will continue after the refrigerator drawers have been installed, turn OFF the power for both drawers.

To get the most efficient use from your new refrigerator drawers, read the “Refrigerator Drawers Use” section.

# REFRIGERATOR DRAWERS USE

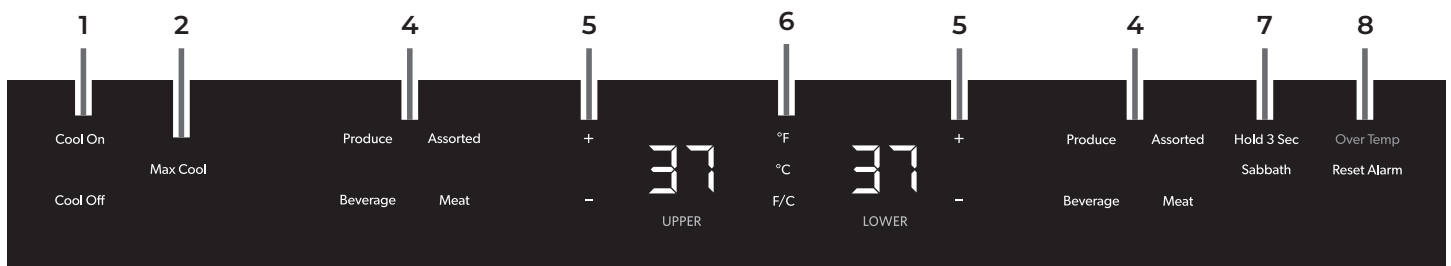
## CONTROLS

The control panels for both double drawer models are located in the upper drawer. To view and set the Upper and Lower control panel, pull out the upper drawer.

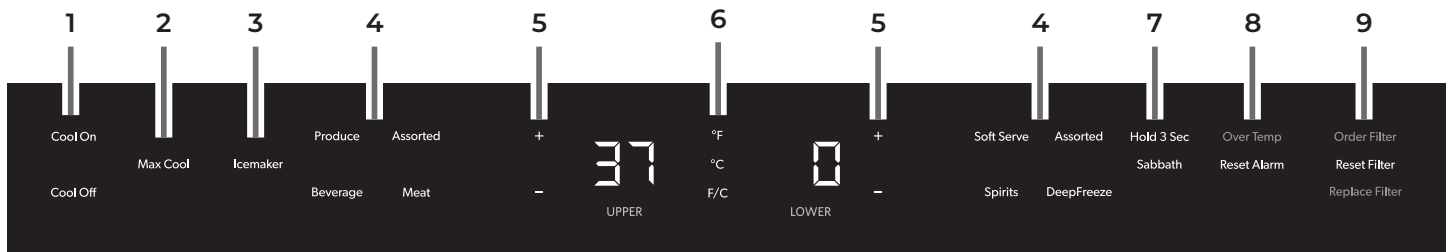


## IMPORTANT:

- Wait 24 hours after you turn on the refrigerator drawers before you put food into the drawers. If you add food before the drawers have cooled completely, your food may spoil.
  - NOTE:** Adjusting the controls to a lower (colder) setting in one or both drawers will not cool them any faster.
- If the temperature is too warm or too cold in the drawers, first check the air vents to be sure they are not blocked before adjusting the controls.
- The preset settings should be correct for normal household usage. The refrigerator control is set correctly when milk or juice is as cold as you like.
- The freezer control is set correctly when ice cream is firm.
- The actual temperature may differ from the display when a drawer is open for an extended period of time.



Refrigerator drawer models



Refrigerator/freezer combo models

## 1. Turning Drawers On/Off

- The first time that the drawers are plugged in, the control will be in Cool Off mode. Cool On and Cool Off will be the only options that display.
- Press COOL ON for 3 seconds to turn on the drawers. All menus and recommended temperature settings will be displayed.

- The left temperature and preset touch pads control the temperature of the upper compartment.
- The right temperature and preset touch pads control the temperature of the lower compartment.

## 2. Max Cool

The Max Cool feature assists with periods of heavy usage, full grocery loads or temporarily warm room temperatures.

Max Cool will reset the temperature for the refrigerator drawer to 32°F (0°C) and -3°F (-19°C) for the freezer drawer for a 24-hour period.

- Press MAX COOL to activate Max Cool feature.

**NOTE:** The temperature display will remain at -3°F (-19°C) and the indicator light will remain On for a 24-hour period unless any of the following happens:

- User adjusts any of the compartment temperatures
- Cool Off Mode is entered (activated by user)
- Sabbath Mode is entered (activated by user)
- After 24 hours, the temperature will automatically return to the previous temperature set point and the indicator light will turn Off.

**NOTE:** If the previous temperature set point was set to Soft Serve in the freezer drawer, the temperature will return to the recommended temperature (0°F/-17°C) instead when Max Cool is complete.

## 3. Ice Maker and Water Filtration System (Refrigerator/Freezer Drawers only)

Connect to potable water supply.

**IMPORTANT:** After connecting the refrigerator to a water source or replacing the water filter, fill and discard three full containers of ice to prepare the water filter for use before using ice.

### TURNING THE ICE MAKER ON/OFF

**IMPORTANT:** Use the Ice maker touch pad on the control panel to turn on or off the Ice maker. Do not adjust the wire arm located on the ice maker.

- Press the ICEMAKER touch pad to turn on the ice maker. The indicator will illuminate when On.
- Press the ICEMAKER touch pad to turn off the ice maker.

### REMEMBER:

- Allow 24 hours to produce the first batch of ice.
- The quality of your ice will only be as good as the quality of the water supplied to your ice maker.
- Avoid connecting the ice maker to a softened water supply. Water softener chemicals (such as salt) can damage parts of the ice maker and lead to poor quality ice. If a softened water supply cannot be avoided, make sure the water softener is operating properly and is well maintained.
- Do not store anything in the ice storage bin.

## 4. Using Presets

For your convenience, each drawer also has controls that are preset to recommended storage temperatures for specific products.

Pressing any preset option will set the temperature to the recommended temperature for each category:

### Refrigerator Drawers

- Produce: 39°F (3°C)
- Assorted: 37° (2°C)
- Beverage: 34°F (1°C)
- Meat: 32°F (0°C)

### Freezer Drawer

- Soft Serve: 6°F (-14°C)

**NOTE:** Soft Serve is a temporary temperature setting that will only last for 4 hours and returns to the previous temperature set point when complete.

- Assorted: 0°F (-17°C)
- Spirits: -2°F (-18°C)
- Deep Freeze: -8°F (-22°C)

## 5. Adjusting the Temperatures

When the refrigerator drawers are turned On for the first time, a recommended temperature is set by default. The controls adjust the temperature of both compartments independently.

- To adjust set point temperatures, press “+” (plus) or “-” (minus) until the desired temperature setting is reached.

### Model JUDFP242\*

**NOTE:** The set point for the double refrigerator drawers model is 37°F(2°C). The set point range for this model is 32°F to 42°F (0°C to 5°C) for both compartments.

### Model JUCFP242\*

**NOTE:** The set point for the refrigerator/freezer drawers model is 37°F (2°C) for the refrigerator drawer and 0°F (-17°C) for the freezer drawer. The set point range for the refrigerator/freezer drawers model is 32°F to 42°F (0°C to 5°C) for the refrigerator drawer and -8°F to 6°F (-22°C to -14°C) for the freezer drawer.

**NOTE:** Wait at least 24 hours between adjustments for the product to acclimate.

## 6. Viewing Celsius/Fahrenheit Temperatures

Press the F/C touch pad to toggle between displaying the temperature in degrees Fahrenheit and degrees Celsius. The corresponding indicator will illuminate.

## 7. Sabbath Mode

Sabbath Mode is designed for the traveler or for those whose religious observances require turning off the lights. By selecting this feature, the temperature set points remain unchanged, but the control panel lights, interior lights, and control audio turn off. For most efficient refrigerator drawers operation, it is recommended to exit the Sabbath Mode when it is no longer required.

- Press and hold SABBATH for 3 seconds to turn on the feature. After the 3-second countdown, the feature will activate and all other displays will turn Off.
- Press and hold SABBATH for 3 seconds to turn off the feature and turn on the display.

## 8. Over Temp Alarm

**NOTE:** If the Over Temp Alarm activates, your food may spoil. See "Power Interruptions." Minimize opening of drawers until temperatures return to normal.

The Over Temperature feature is designed to let you know when either the refrigerator drawer temperature rises above 45°F (7°C) or the freezer drawer temperature rises above 6°F (-14°C) for 4 hours or longer. The audio alarm will shut off automatically when the temperature returns to normal. To let you know an Over Temperature condition occurred, the indicator light will continue to flash until the Reset Alarm touch pad is pressed. If the over temperature condition is still present when an Over Temp reset is performed, the indicator light will continue to reactivate every 4 hours until refrigerator and freezer temperatures are below 45°F (7°C) and 15°F (-9°C), respectively.

**NOTE:** These features will not appear on your control unless your refrigerator drawer is above preset range and the alarm requires a reset.

## 9. Water Filter Indicator / Reset Filter

The water filter indicator will help you know when to change your water filter. The indicator will change from dark to yellow when it is time to order a new filter.

The indicator will then change from yellow to red when it is time to replace the water filter.

The disposable water filter should be replaced at least every 6 months. After replacing the water filter, reset the water filter indicator.

- Press and hold RESET FILTER for 3 seconds. The indicator light will turn Off.

**NOTE:** These features will not appear on your control unless you need to order or replace your filter.

## NORMAL SOUNDS

Your new refrigerator drawers may make sounds that your old refrigerator drawers didn't. Because the sounds are new to you, you might be concerned about them. Most of the new sounds are normal. Hard surfaces, such as the floor, walls, and cabinets, can make the sounds seem louder. The following describes the kinds of sounds and what may be making them.

- Your refrigerator drawers are designed to run more efficiently to keep your food items at the desired temperatures and to minimize energy usage. The high efficiency compressor and fans may cause your refrigerator drawers to run longer than your old ones. You may also hear a pulsating or high-pitched sound from the compressor or fans adjusting to optimize performance.
- You may hear the evaporator fan motor circulating air through the refrigerator drawers. The fan speed may increase as you open the drawers or add warm food.
- As each cycle ends, you may hear a gurgling sound due to the refrigerant flowing through the sealed system tubing.
- Contraction and expansion of the inside walls may cause a popping noise.
- You may hear air being forced over the condenser by the condenser fan.
- You may hear water running into the drain pan during the Off cycle.

## ENSURING PROPER AIR CIRCULATION

In order to ensure proper temperatures, you need to permit airflow inside the drawers.

Do not block any airflow vents. If the vents are blocked, airflow will be obstructed and temperature and moisture problems may occur.

**IMPORTANT:** To avoid odor transfer and drying out of food, wrap or cover foods tightly.

## ICE MAKER

### USING THE ICE MAKER WITHOUT THE WATER FILTER

You can run the ice maker without a water filter. Your water will not be filtered.

1. Slide the filter cap off the end of the water filter. With the filter cap in the horizontal position, insert the cap into the base grille until it stops.

**IMPORTANT:** Do not discard the cap. It is part of your refrigerator. Keep the cap to use with a replacement filter.

# CARE AND CLEANING

## CLEANING

### **⚠ WARNING**



#### **Explosion Hazard**

**Use nonflammable cleaner.**

**Failure to do so can result in death, explosion, or fire.**

The drawers defrost automatically. However, clean both drawers about once a month to avoid buildup of odors. Wipe up spills immediately.

### **TO CLEAN YOUR DRAWERS:**

1. Unplug drawer or disconnect power.
2. Hand wash, rinse, and dry removable parts and interior surfaces thoroughly. Use a clean sponge or soft cloth and a mild detergent in warm water.
  - Do not use abrasive or harsh cleaners such as window sprays, scouring cleansers, flammable fluids, cleaning waxes, concentrated detergents, bleaches or cleansers containing petroleum products on plastic parts, interior and drawer liners or gaskets. Do not use paper towels, scouring pads, or other harsh cleaning tools. These can scratch or damage materials.
  - To help remove odors, you can wash interior walls with a mixture of warm water and baking soda (2 tbs to 1 qt [26 g to 0.95 L] of water).
3. Wash stainless steel and painted metal exteriors with a clean sponge or soft cloth and a mild detergent in warm water. Do not use abrasive or harsh cleaners. Dry thoroughly with a soft cloth. To avoid damage to painted metal exteriors, apply appliance wax (or auto paste wax) with a clean, soft cloth. Do not wax plastic parts.

**NOTE:** To keep your Stainless Steel refrigerator drawers looking like new and to remove minor scuffs or marks, it is suggested that you use the manufacturer's approved Stainless Steel Cleaner and Polish. To order the cleaner, see "Accessories."

### **IMPORTANT:**

- This cleaner is for stainless steel parts only!
- Do not allow the Stainless Steel Cleaner and Polish to come into contact with any plastic parts such as the trim pieces or drawer gaskets. If unintended contact does occur, clean plastic part with a sponge and mild detergent in warm water. Dry thoroughly with a soft cloth.

## CHANGING THE WATER FILTER

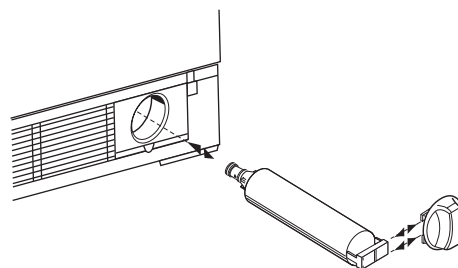
The water filter is located through the base grille. You do not have to remove the base grille in order to change the water filter.

1. Locate the water filter cap in the front base grille. Rotate the cap counterclockwise to a vertical position and pull the cap and water filter out through the base grille.

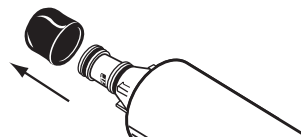
**NOTE:** There will be water in the filter. Some spilling may occur.

2. Remove the filter cap by sliding it off the end of the old filter. The cap will slide to the left or right.

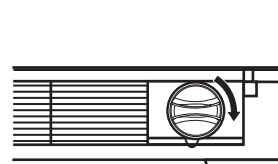
**IMPORTANT:** Do not discard the cap. It is part of your refrigerator drawer. Keep the cap to use with the replacement filter.



3. Take the new water filter out of its packaging and remove the cover from the O-rings.



4. Slide the filter cap onto the new water filter. See the illustration in Step 2.
5. With the filter cap in the vertical position, insert the new filter into the base grille until it stops. Rotate the cartridge cap clockwise to a horizontal position.



## POWER INTERRUPTIONS

If the power will be out for 24 hours or less, keep both refrigerator drawers closed to help food stay cold.

If the power will be out for more than 24 hours, do one of the following:

- Place all perishable food in a food locker or cooler with dry ice.
- If neither a food locker or cooler is available, consume food if still cold or throw away perishable food at once.



## VACATION CARE

### IF YOU CHOOSE TO TURN THE REFRIGERATOR DRAWERS OFF BEFORE YOU LEAVE:

1. Remove all food/beverages/ice from the refrigerator drawers.
2. Turn Off the Control Panel for the Upper and the Lower drawers. See “Controls.”
3. Clean refrigerator drawers, wipe and dry them well.
4. Tape rubber or wood blocks to the tops of both drawers to prop them open far enough for air to get in. This stops odor and mold from building up.

# TROUBLESHOOTING

Try the solutions suggested here first in order to avoid the cost of an unnecessary service call.

## OPERATION

### ⚠ WARNING



#### Electrical Shock Hazard

Plug into a grounded 3 prong outlet.

Do not remove ground prong.

Do not use an adapter.

Do not use an extension cord.

Failure to follow these instructions can result in death, fire, or electrical shock.

- **Power supply cord unplugged?** Plug into a grounded 3 prong outlet.
- **Is the refrigerator control set to the Cool Off setting?** See “Controls.”
- **Household fuse blown, or a circuit breaker tripped?** Replace the fuse or reset the circuit. If the problem continues, call an electrician.
- **Are the refrigerator drawers not cooling?** Turn them off then on again to reset. See “Controls.” If this does not correct the problem, call for service.

### THE MOTOR SEEMS TO RUN TOO MUCH

- **Is the room temperature outside hotter than normal?** The motor will run longer under warm conditions. At normal room temperatures, expect your motor to run about 80% of the time. Under warmer conditions, it will run even more.
- **Has a large amount of food just been added to the refrigerator drawers?** Adding a large amount of food warms the refrigerator drawers. It is normal for the motor to run longer in order to cool the refrigerator drawer back down.
- **Are the drawers opened often?** The motor will run longer when this occurs. Conserve energy by getting all items out at one time, keeping food organized, and closing the drawer as soon as possible.

- **Are the controls not set correctly for the surrounding conditions?** Refer “Controls” section.
- **Are the drawers not closed completely?** Close the drawers firmly. If they do not close completely, see “The drawers will not close completely” later in this section.
- **Are the drawer gaskets not sealed all the way around?** Contact a technician or other qualified person.

### THE REFRIGERATOR DRAWERS SEEMS TO MAKE TOO MUCH NOISE

- The sounds may be normal for your refrigerator drawers. See “Normal Sounds.”

### THE DIVIDER BETWEEN THE TWO COMPARTMENTS IS WARM

The warmth is probably due to normal operation of the automatic exterior moisture control. If still concerned, call for service.

## TEMPERATURE AND MOISTURE

### TEMPERATURE IS TOO WARM

- **Are the air vents blocked in either compartment?** This obstructs cold air movement between the compartments. Remove any objects from in front of the air vents. See “Ensuring Proper Air Circulation” for the location of air vents.
- **Are the drawers opened often?** The refrigerator drawers will warm when this occurs. Keep the refrigerator drawers cool by getting all items out at one time, keeping food organized, and closing the door as soon as possible.
- **Has a large amount of food just been added to the refrigerator drawers?** Adding a large amount of food warms the refrigerator drawers. It can take several hours for the refrigerator drawers to return to the normal temperature.
- **Are the controls set correctly for the surrounding conditions?** See “Controls.”
- **Are the refrigerator drawers not cooling?** Turn them off then on again to reset. See “Controls.” If this does not correct the problem, call for service.

## THERE IS INTERIOR MOISTURE BUILDUP

- **Are the air vents blocked in the refrigerator drawers?** Remove any objects from in front of the air vents. See “Ensuring Proper Air Circulation” for the location of air vents.
- **Are the drawers opened often?** Avoid humidity buildup by getting all items out at one time, keeping food organized, and closing the drawer as soon as possible.
- **Is the room humid?** It is normal for moisture to build up inside the refrigerator drawers when the room air is humid.
- **Is the food packaged correctly?** Check that all food is securely wrapped. Dry damp food containers before placing in the refrigerator drawers.
- **Are the controls set correctly for the surrounding conditions?** See “Controls.”

## DRAWERS

### THE DRAWERS WILL NOT CLOSE COMPLETELY

#### **Are food packages blocking the drawer open?**

Rearrange containers so that they fit more tightly and take up less space.

### THE DRAWERS ARE DIFFICULT TO OPEN

## **WARNING**



### Explosion Hazard

**Use nonflammable cleaner.**

**Failure to do so can result in death, explosion, or fire.**

- **Is the gasket dirty or sticky?** Clean the gasket and the surface that it touches. Rub a thin coat of paraffin wax on the gasket following cleaning.

# ASSISTANCE IN CANADA

## IF YOU NEED SERVICE

Before calling for assistance or service, please check "Troubleshooting." It may save you the cost of a service call. If you still need help, follow the instructions below.

When calling, please know the purchase date and the complete model and serial number of your appliance. This information will help us to better respond to your request. Please refer to the warranty page in this manual for more information on service.

## IF YOU NEED REPLACEMENT PARTS

Component parts should be replaced with like components and servicing should be done by factory authorized service personnel, so as to minimize the risk of possible ignition due to incorrect parts or improper service.

## IN THE U.S.A.

Call the JennAir Customer eXperience Center toll free at **1-800-JENNAIR (1-800-536-6247)**, or visit our website at **www.jennair.com**.

### OUR CONSULTANTS PROVIDE ASSISTANCE WITH:

- Features and specifications on our full line of appliances.
- Installation information.
- Use and maintenance procedures.
- Accessory and repair parts sales.
- Specialized customer assistance (Spanish speaking, hearing impaired, limited vision, etc.).
- Referrals to local dealers, repair parts distributors, and service companies. JennAir designated service technicians are trained to fulfill the product warranty and provide after warranty service, anywhere in the United States.

To locate the JennAir designated service company in your area, you can also look in your telephone directory Yellow Pages.

### FOR FURTHER ASSISTANCE

If you need further assistance, you can write to JennAir with any questions or concerns at:

JennAir Brand Home Appliances  
Customer eXperience Center  
553 Benson Road  
Benton Harbor, MI 49022-2692

Please include a daytime phone number in your correspondence.

Call the JennAir Canada Customer eXperience Centre toll free: **1-800-JENNAIR (1-800-536-6247)**.

### OUR CONSULTANTS PROVIDE ASSISTANCE WITH:

- Features and specifications on our full line of appliances.
- Use and maintenance procedures.
- Accessory and repair parts sales.
- Referrals to local dealers, repair parts distributors, and services companies. JennAir Canada designated service technicians are trained to fulfill the product warranty and provide after-warranty service, anywhere in Canada.

### FOR FURTHER ASSISTANCE

If you need further assistance, you can write to JennAir Canada with any questions or concerns at:

JennAir Canada  
Customer eXperience Centre  
200 – 6750 Century Ave.  
Mississauga, Ontario L5N 0B7

Please include a daytime phone number in your correspondence.

## ACCESSORIES

To order accessories, call **1-800-JENNAIR (1-800-536-6247)**, and ask for the appropriate part number listed below or contact your authorized JennAir dealer.

### REPLACEMENT WATER FILTER:

Order Part #4396701

### AFFRESH® KITCHEN & APPLIANCE CLEANER:

In U.S.A., order part #W10355010

In Canada, order part # W10355010B

### AFFRESH® STAINLESS STEEL CLEANER:

In U.S.A., order part #W10355016

In Canada, order part # W10355016B

# PRODUCT DATA SHEETS

## BASE GRILLE WATER FILTRATION SYSTEM

**MODEL WF-L200V CAPACITY 200 GALLONS (757 LITERS)**

**MODEL WF-NL120V CAPACITY 120 GALLONS (454 LITERS)**



Tested and certified by NSF International against ANSI/NSF Standard 42 for the reduction of Chlorine, Taste and Odor, Particulate Class III\*; and against ANSI/NSF Standard 53 for the reduction of Lead, Mercury, Benzene, and p-dichlorobenzene.

This system has been tested according to ANSI/NSF 42/53 for the reduction of the substances listed below. The concentration of the indicated substances in water entering the system was reduced to a concentration less than or equal to the permissible limit for water leaving the system, as specified in ANSI/NSF 42/53.

Substance Reduction Aesthetic Effects	NSF Reduction Requirements	Average Influent	Influent Challenge Concentration	Maximum Effluent	Average Effluent	Minimum % Reduction	Average % Reduction
Chlorine Taste/Odor Particulate Class III*	≥50% ≥85%	1.9 mg/L 49,333/mL	2.0 mg/L ± 10% At least 10,000 particles/mL	0.07 mg/L 640 mg/L**	0.06 mg/L 312 mg/L	>75.0% 98.7%	>75.0% 99%

Contaminant Reduction	NSF Reduction Requirements	Average Influent	Influent Challenge Concentration	Maximum Effluent	Average Effluent	Minimum % Reduction	Average % Reduction
Lead: @ pH 6.5 Lead: @ pH 8.5	0.01mg/L 0.01mg/L	0.14 mg/L*** 0.15 mg/L***	0.15 mg/L ± 10% 0.15 mg/L ± 10%	0.0014 mg/L 0.0069 mg/L	0.0011 mg/L 0.0042 mg/L	99.0% 95.4%	99.21% 97.08%
Mercury: @ pH 6.5 Mercury: @ pH 8.5	0.002 mg/L 0.002 mg/L	0.0059 mg/L 0.0054 mg/L	0.006 mg/L ± 10% 0.006 mg/L ± 10%	0.0009 mg/L 0.0007 mg/L	0.0004 mg/L 0.00043 mg/L	84.74% 87.03%	92.47% 91.93%
Benzene	0.0050 mg/L	0.0157 mg/L	0.015 ± 10%	0.002 mg/L	0.00083 mg/L	87.26%	94.71%
p-dichlorobenzene	0.075 mg/L	0.210 mg/L	0.225 ± 10%	0.0005 mg/L	0.0005 mg/L	99.76%	99.76%

Test Parameters: pH = 7.5 ± 0.5 unless otherwise noted. Flow = 0.5 gpm (1.9 Lpm). Pressure = 60 psig (413.7 kPa). Temp. = 63°F (17.2°C).

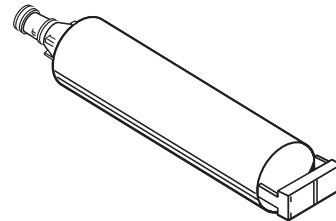
- It is essential that operational, maintenance, and filterreplacement requirements be carried out for the product toperform as advertised.
- Model WF-L200V: The filter monitor system measures theamount of water that passes through the filter and alerts youto replace the filter. When 90% of the filter's rated life is used,the filter indicator light changes from green to yellow. When100% of the filter's rated life is used, the filter indicator lightchanges from yellow to red, and it is recommended that youreplace the filter. Use replacement cartridge L200V / NL120V,part #4396702. 2014 suggested retail price of \$32.99 U.S.A./\$49.99 Canada. Prices are subject to change without notice.

**Model WF-NL120V:** Change the water filter cartridge every6-9 months. Use replacement cartridge L200V / NL120V, part#4396702. 2014 suggested retail price of \$32.99 U.S.A./\$49.99 Canada. Prices are subject to change without notice.

- The product is for cold water use only.
- Do not use with water that is microbiologically unsafe or ofunknown quality without adequate disinfection before or afterthe system.
- Refer to the front cover or "Accessories" section for theManufacturer's name, address and telephone number.
- Refer to the "Warranty" section for the Manufacturer's limitedwarranty.

### Application Guidelines/Water Supply Parameters

Water Supply	City or Well
Water Pressure	30 - 120 psi (207 - 827 kPa)
Water Temperature	33° - 100°F (0.6° - 37.8° C)
Service Flow Rate	0.5 GPM (1.89 L/min.) @ 60 psi. (413.7 kPa)



\*Class III particle size: >5 to <15 um

\*\*Test requirement is at least 10,000 particles/mL of AC Fine Test Dust.

\*\*\*These contaminants are not necessarily in your water supply. Performance may vary based on local water conditions.

\*NSF is a registered trademark of NSF International.

# JENNAIR® REFRIGERATION LIMITED WARRANTY

ATTACH YOUR RECEIPT HERE. PROOF OF PURCHASE IS REQUIRED TO OBTAIN WARRANTY SERVICE.

Please have the following information available when you call the Customer eXperience Center:

- Name, address, and telephone number
- Model number and serial number
- A clear, detailed description of the problem
- Proof of purchase including dealer or retailer name and address

## IF YOU NEED SERVICE:

1. Before contacting us to arrange service, please determine whether your product requires repair. Some questions can be addressed without service. Please take a few minutes to review the Troubleshooting section of the Use and Care Guide or visit [producthelp.jennair.com](http://producthelp.jennair.com).
2. All warranty service is provided exclusively by our authorized JennAir Service Providers. In the U.S. and Canada, direct all requests for warranty service to:

**JennAir Customer eXperience Center  
1-800-JENNAIR (1-800-536-6247).**

If outside the 50 United States or Canada, contact your authorized JennAir dealer to determine whether another warranty applies.

## TEN YEAR LIMITED WARRANTY

### WHAT IS COVERED

#### TWO YEAR LIMITED WARRANTY (PARTS AND LABOR)

For two years from the date of purchase, when this major appliance is installed, operated and maintained according to instructions attached to or furnished with the product, JennAir brand of Whirlpool Corporation or Whirlpool Canada LP (hereafter "JennAir") will pay for Factory Specified Replacement Parts and repair labor to correct defects in materials or workmanship that existed when this major appliance was purchased, or at its sole discretion replace the product. In the event of product replacement, your appliance will be warranted for the remaining term of the original unit's warranty period.

#### THIRD THROUGH FIFTH YEAR LIMITED WARRANTY (SEALED REFRIGERATION SYSTEM PARTS ONLY – LABOR NOT INCLUDED)

In the third through fifth years from the date of purchase, when this major appliance is installed, operated and maintained according to the instructions attached to or furnished with the product, JennAir brand will pay for factory specified replacement parts and repair labor for the following components to correct non-cosmetic defects in materials and workmanship in this part that prevent function of the refrigerator and that existed when this major appliance was purchased:

- Refrigerator/freezer cavity liner if the part cracks due to defective materials or workmanship.
- Sealed Refrigeration system (includes compressor, evaporator, condenser, dryer and connecting tubing).

#### SIXTH THROUGH TENTH YEAR LIMITED WARRANTY (SEALED REFRIGERATION SYSTEM ONLY - LABOR NOT INCLUDED)

In the sixth through tenth year from the date of purchase, when this major appliance is installed, operated and maintained according to instructions attached to or furnished with the product, JennAir brand will pay for factory specified replacement parts for the following components to correct defects in materials or workmanship in the sealed refrigeration system (includes compressor, evaporator, condenser, dryer and connecting tubing) that existed when this major appliance was purchased.

YOUR SOLE AND EXCLUSIVE REMEDY UNDER THIS LIMITED WARRANTY SHALL BE PRODUCT REPAIR AS PROVIDED HEREIN. Service must be provided by a JennAir designated service company. This limited warranty is valid only in the United States or Canada and applies only when the major appliance is used in the country in which it was purchased. This limited warranty is effective from the date of original consumer purchase. Proof of original purchase date is required to obtain service under this limited warranty.

### WHAT IS NOT COVERED

1. Commercial, non-residential or multiple-family use, or use inconsistent with published user, operator or installation instructions.
2. In-home Instruction on how to use your product.
3. Service to correct improper product maintenance or installation, installation not in accordance with electrical or plumbing codes or correction of household electrical or plumbing (i.e. house wiring, fuses or water inlet hoses).
4. Consumable parts (i.e. light bulbs, batteries, air or water filters, preservation solutions, etc.).
5. Defects or damage caused by the use of non-genuine JennAir parts or accessories.
6. Damage from accident, misuse, abuse, fire, floods, acts of God or use with products not approved by JennAir.
7. Repairs to parts or systems to correct product damage or defects caused by unauthorized service, alteration or modification of the appliance.
8. Cosmetic damage including scratches, dents, chips, and other damage to appliance finishes unless such damage results from defects in materials and workmanship and is reported to JennAir within 30 days.
9. Discoloration, rust or oxidation of surfaces resulting from caustic or corrosive environments including but not limited to high salt concentrations, high moisture or humidity or exposure to chemicals.
10. Food or medicine loss due to product failure.
11. Pick-up or delivery. This product is intended for in-home repair.
12. Travel or transportation expenses for service in remote locations where an authorized JennAir servicer is not available.
13. Removal or reinstallation of inaccessible appliances or built-in fixtures (i.e. trim, decorative panels, flooring, cabinetry, islands, countertops, drywall, etc.) that interfere with servicing, removal or replacement of the product.
14. Service or parts for appliances with original model/serial numbers removed, altered or not easily determined.

**The cost of repair or replacement under these excluded circumstances shall be borne by the customer.**

---

**DISCLAIMER OF IMPLIED WARRANTIES**

IMPLIED WARRANTIES, INCLUDING ANY IMPLIED WARRANTY OF MERCHANTABILITY OR IMPLIED WARRANTY OF FITNESS FOR A PARTICULAR PURPOSE, ARE LIMITED TO ONE YEAR OR THE SHORTEST PERIOD ALLOWED BY LAW. Some states and provinces do not allow limitations on the duration of implied warranties of merchantability or fitness, so this limitation may not apply to you. This warranty gives you specific legal rights, and you also may have other rights that vary from state to state or province to province.

---

**DISCLAIMER OF REPRESENTATIONS OUTSIDE OF WARRANTY**

JennAir makes no representations about the quality, durability, or need for service or repair of this major appliance other than the representations contained in this warranty. If you want a longer or more comprehensive warranty than the limited warranty that comes with this major appliance, you should ask JennAir or your retailer about buying an extended warranty.

---

**LIMITATION OF REMEDIES: EXCLUSION OF INCIDENTAL AND CONSEQUENTIAL DAMAGES**

YOUR SOLE AND EXCLUSIVE REMEDY UNDER THIS LIMITED WARRANTY SHALL BE PRODUCT REPAIR AS PROVIDED HEREIN. JENNAIR SHALL NOT BE LIABLE FOR INCIDENTAL OR CONSEQUENTIAL DAMAGES. Some states and provinces do not allow the exclusion or limitation of incidental or consequential damages, so these limitations and exclusions may not apply to you. This warranty gives you specific legal rights, and you also may have other rights that vary from state to state or province to province.

---

01/17

# INTRODUCTION

## SÉCURITÉ

### Votre sécurité et celle des autres est très importante.

Nous donnons de nombreux messages de sécurité importants dans ce manuel et sur votre appareil ménager. Assurez-vous de toujours lire tous les messages de sécurité et de vous y conformer.



Voici le symbole d'alerte de sécurité.

Ce symbole d'alerte de sécurité vous signale les dangers potentiels de décès et de blessures graves à vous et à d'autres.

Tous les messages de sécurité suivront le symbole d'alerte de sécurité et le mot "DANGER" ou "AVERTISSEMENT". Ces mots signifient :

**⚠ DANGER**

**Risque possible de décès ou de blessure grave si vous ne suivez pas immédiatement les instructions.**

**⚠ AVERTISSEMENT**

**Risque possible de décès ou de blessure grave si vous ne suivez pas les instructions.**

Tous les messages de sécurité vous diront quel est le danger potentiel et vous disent comment réduire le risque de blessure et ce qui peut se produire en cas de non-respect des instructions.

### IMPORTANTES INSTRUCTIONS DE SÉCURITÉ

**AVERTISSEMENT :** Pour réduire les risques d'incendie, de choc électrique ou de blessures lors de l'utilisation du tiroirs de réfrigération, prendre quelques précautions fondamentales, y compris les suivantes :

- Brancher sur une prise de courant à 3 alvéoles, reliée à la terre.
- Ne pas enlever la prise de liaison à la terre.
- Ne pas utiliser d'adaptateur.
- Ne pas utiliser de rallonge.
- Déconnecter la source de courant électrique avant l'entretien.
- Brancher à une source d'eau potable.
- Replacer pièces et panneaux avant de faire la mise en marche.
- Enlevez la porte ou les tiroirs de votre ancien appareil frigorifique.
- Utiliser un produit de nettoyage ininflammable.
- Ne pas utiliser ou conserver d'essence ni de liquides ou gaz inflammables à proximité de cet ou d'autres appareils électriques. Les fumées peuvent causer des incendies ou des explosions.
- Ne pas conserver de substances explosives, par exemple des bombes aérosols contenant un agent propulseur, dans ce tiroirs de réfrigération.
- Ne pas utiliser ni placer dans les compartiments du tiroirs de réfrigération des dispositifs électriques d'un type autre que celui expressément autorisé par le fabricant.
- Utiliser deux ou plus de personnes pour déplacer et installer le réfrigérateur pour boissons.
- Cet appareil ne convient pas à une utilisation par des personnes (y compris des enfants) à capacités physiques, sensorielles ou mentales réduites, ou possédant un manque d'expérience et de connaissances, à moins qu'elles ne soient placées sous supervision ou qu'elles aient reçu des instructions concernant l'utilisation de l'appareil par une personne responsable de leur sécurité.
- Les enfants doivent être placés sous surveillance afin de s'assurer qu'ils ne jouent pas avec l'appareil.
- Pour éviter le risque que des enfants restent enfermés à l'intérieur et s'asphyxient, ne pas les laisser jouer ou se cacher dans le tiroirs de réfrigération.
- Si le cordon d'alimentation est endommagé, il doit être remplacé par le fabricant ou son technicien d'entretien ou une personne présentant une qualification similaire.
- Les prises d'air de l'enceinte de l'appareil ou de la structure encastré doivent être dégagées en tout temps.
- Ne pas utiliser d'appareils mécaniques ou autres moyens pour accélérer le dégivrage que ceux recommandés par le fabricant.
- Ne pas endommager le circuit frigorigène.

**CONSERVER CES INSTRUCTIONS**

## MISE AU REBUT DU VIEUX RÉFRIGÉRATEUR

### **AVERTISSEMENT**

#### Risque de suffoquer

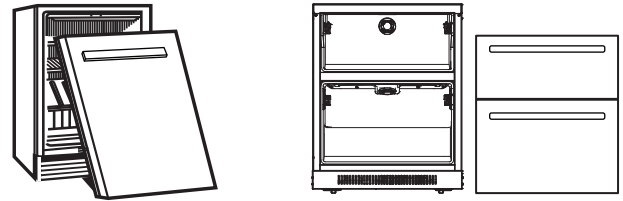
Enlever la porte ou le(s) tiroir(s) de votre vieil appareil réfrigéré.

Le non-respect de cette instruction peut causer un décès ou des lésions cérébrales.

**IMPORTANT :** Le risque qu'un enfant puisse se retrouver coincé et suffoquer n'est pas chose du passé. Les réfrigérateurs jetés ou abandonnés restent dangereux, même s'ils ne restent à l'extérieur que pour « quelques jours seulement ». Si l'ancien réfrigérateur doit être mis au rebut, suivre les instructions suivantes afin d'éviter les accidents.

### Avant de jeter votre vieux réfrigérateur :

- Retirer la porte ou les tiroirs.



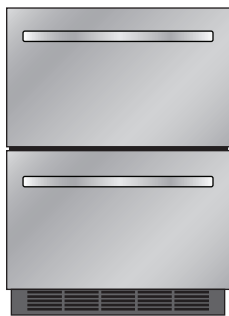
### Renseignements importants à propos de la mise au rebut des fluides réfrigérants :

Mettre le réfrigérateur au rebut conformément à la réglementation fédérale et locale. Les fluides réfrigérants doivent être évacués par un technicien certifié et agréé par l'EPA conformément aux procédures établies.

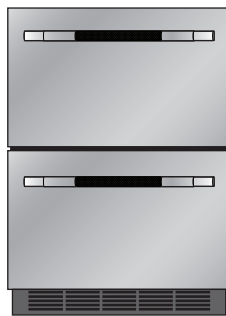
## CONFIGURATION

### TIROIRS RÉFRIGÉRANTS DOUBLES

Tiroirs de réfrigération offrent plus d'espace de rangement dans la cuisine ou ailleurs dans la maison.



JUDFP242HM



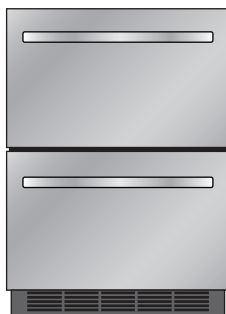
JUDFP242HL



JUDFP242HX

### RÉFRIGÉRATEUR/TIROIRS DE CONGÉLATION (AVEC MACHINE À GLAÇONS ET FILTRE À EAU)

Le tiroir de réfrigération supérieur et le tiroir de congélation inférieur offrent plus d'espace de rangement dans la cuisine ou ailleurs dans la maison. La machine à glaçon installée en usine sur le tiroir du bas assure un approvisionnement constant et à portée de la main en glaçons.



JUCFP242HM



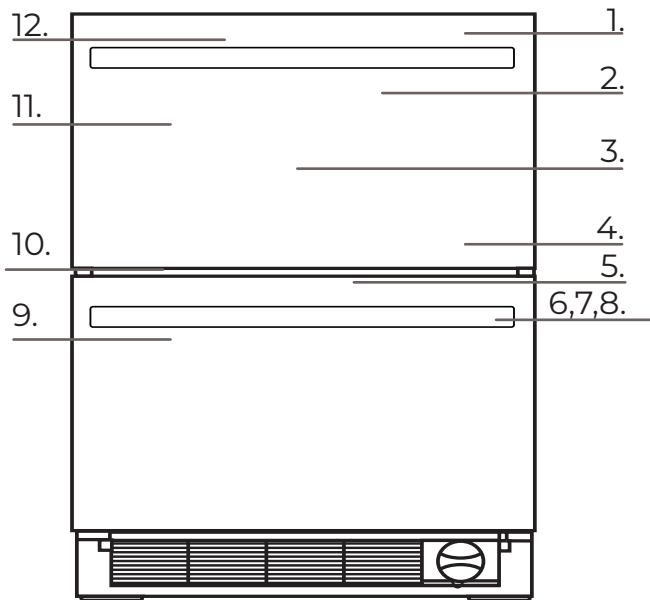
JUCFP242HL



JUCFP242HX



## CARACTÉRISTIQUES



### 1. Conception encastrée discrète

Créer une silhouette ininterrompue. Une enveloppe discrète de 1/8 po entoure tous les côtés, les charnières et garnitures ne sont pas exposées.

### 2. Intérieure obsidienne audacieuse

Inspiré du verre volcanique, cette finition sombre éclate avec un style réfléchissant et contrasté. Laisser l'objet de son désir émerger comme un art vibrant, implorant d'être consommé.

### 3. Mode Sabbath (Sabbat)

Permet d'ouvrir le réfrigérateur ou le congélateur pendant le Sabbath ou d'autres fêtes religieuses sans activer ou désactiver directement de lampes, d'affichages numériques, de ventilateurs, de valves, de tonalités ou d'alarmes.

### 4. Alarme Over Temp (dépassement de température)

Résonne lorsque la température dans l'un ou l'autre des tiroirs s'élève à plus de 45°F (7°C) pendant plus de 10 minutes.

### 5. Éclairage DEL

Les lumières DEL s'activent instinctivement, chassant les ombres pour révéler des détails saisissants.

### 6. Expression esthétique RISE™

Adoptez une ère de proportions qui attirent l'œil. Une armure en acier inoxydable brille d'effets lumineux spectaculaires. C'est la force – inextricable de la beauté. Forcée par le feu du progrès, l'expression esthétique RISE™ domine les conceptions stagnantes et sans inspiration qui ont hérité d'un statut non mérité.

### 7. Expression esthétique NOIR™

Perdez-vous dans un monde qui est à vous seul. Des silhouettes nettes craquent avec la mystique; des réflexions séduisantes apparaissent et disparaissent. Avec son allure incessante et son appel minimaliste, l'expression esthétique NOIR™ rejette les idéaux de beauté obsolètes.

### 8. Installation du panneau personnalisé

Prenez la clé des champs avec des panneaux personnalisés qui permettent une expression sans vergogne. Les panneaux et poignées personnalisés doivent être achetés séparément.

### 9. Alarme de tiroir ouvert

Aide à prévenir les aliments de se gâter en faisant résonner une alarme à intervalle de 2 minutes lorsque le tiroir est ouvert pendant plus de 5 minutes.

### 10. Séparateurs de tiroir

Diviser pour conquérir. Ajouter ou retirer des séparateurs pour organiser chaque tiroir selon les besoins.

### 11. Acoustique silencieuse

Notre compresseur interne garde vos boissons impeccablement fraîches tout en fonctionnant discrètement à l'arrière-plan. Le génie n'a pas à s'annoncer. C'est comme ça. C'est tout.

### 12. Option de refroidissement maximum

Plonge la température interne à son point le plus bas pendant 24 heures.

# EXIGENCES D'INSTALLATION

## OUTILS ET PIÈCES

Rassembler les outils et pièces nécessaires avant d'entreprendre l'installation.

Lire et observer les instructions fournies avec chacun des outils de la liste ci-dessous.

### OUTILS ET PIÈCES NÉCESSAIRES :

- Tournevis à tête cruciforme
- Perceuse sans fil
- Foret de 1/8 po
- Ruban à mesurer
- Niveau

### OUTILS SUPPLÉMENTAIRES REQUIS (PANNEAU DÉCORATIF PERSONNALISÉ SEULEMENT) :

- Ciseaux
- Crayon
- Pointe à tracer

### PIÈCES REQUISES (PANNEAU DÉCORATIF PERSONNALISÉ SEULEMENT) :

- Panneaux décoratifs personnalisés pour tiroir – voir la section « Panneaux décoratifs personnalisés pour tiroir ».
- Quincaillerie

### PIÈCES REQUISES (PANNEAU DÉCORATIF PERSONNALISÉ SEULEMENT) :

- (8) crochets
- (16) vis
- (4) vis à bois autotaraudeuses

## EXIGENCES D'EMPLACEMENT

### ⚠ AVERTISSEMENT



#### Risque d'explosion

Garder les matières et les vapeurs inflammables, telle que l'essence, loin du/des tiroir(s) réfrigéré(s).

Le non-respect de cette instruction peut causer un décès, une explosion ou un incendie.

**IMPORTANT :** Cet appareil est destiné à un usage domestique et à d'autres usages similaires comme :

- espace de cuisine pour personnel de boutiques, bureaux et autres environnements professionnels;
- résidences fermières et utilisation par les clients d'hôtels, de motels et d'autres types de résidences;
- environnements de type chambres d'hôtes;
- banquets et autres utilisations non commerciales semblables.

## REMARQUES :

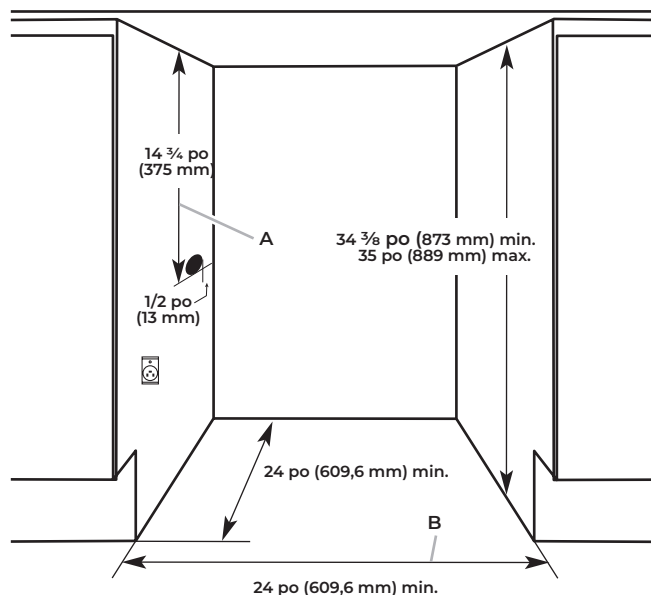
- Lorsqu'on souhaite placer les tiroirs de réfrigération en affleurement avec la façade des armoires inférieures, enlever toutes les moulures et plinthes à l'arrière de l'ouverture. Voir la section « Dimensions du produit » et plus loin dans cette section « Dimensions de l'ouverture ».
- Il est conseillé de ne pas installer le tiroir réfrigérant près d'un four, d'un radiateur ou de toute autre source de chaleur.
- Ne pas installer l'appareil dans un endroit où la température pourrait descendre sous 55 °F (13 °C).

## DIMENSIONS DE L'OUVERTURE

- Les dimensions de hauteur sont illustrées avec les pieds de nivellement déployés à la hauteur minimale de 1/4 po (6 mm) sous le tiroir réfrigérant.

**REMARQUE :** Lorsque les pieds de nivellement sont totalement déployés de 1 po (25 mm) au-dessous du tiroir de réfrigération, ajouter 3/4 po (19 mm) à la hauteur totale. Voir la section « Dimensions du produit ».

- Si le plancher de l'ouverture n'est pas au même niveau que le plancher de la cuisine, installer des cales pour établir un niveau uniforme avec le plancher de la cuisine.



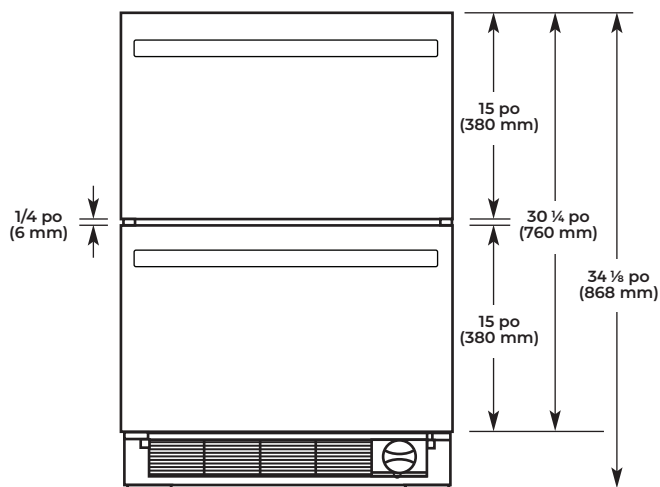
Dimensions critiques :  
A. Ouverture pour raccords  
B. Largeur minimum de l'ouverture

## DIMENSIONS DU PRODUIT

### DIMENSIONS DE HAUTEUR DU TIROIR

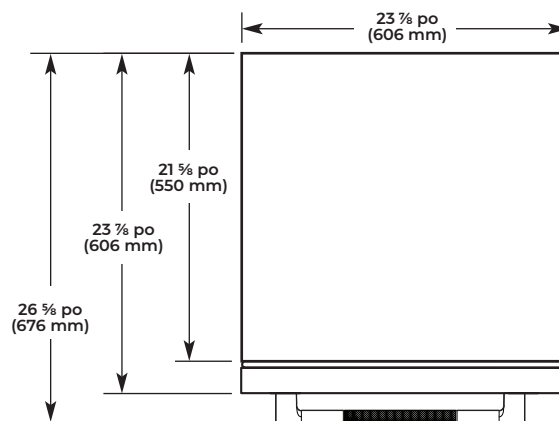
- Les dimensions de hauteur sont illustrées avec les pieds de nivellement déployés à la hauteur de 1/4 po (6 mm) sous le tiroir réfrigérant.
- Lorsque les pieds de nivellement sont totalement déployés de 1 po (25 mm) au-dessous du tiroir de réfrigération, ajouter 3/4 po (19 mm) à la hauteur totale.
- La longueur du cordon d'alimentation est de 60 po (1.52 m).

### RISE™/NOIR™/PANNEAU DÉCORATIF (VUE AVANT)

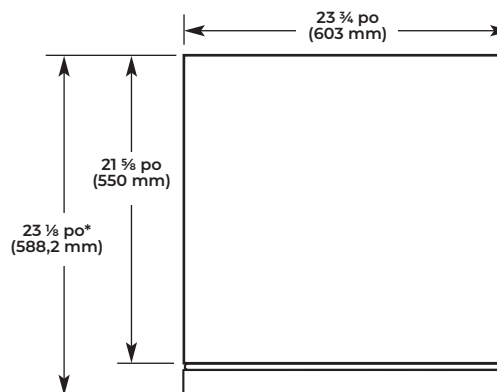


## DIMENSIONS DE LARGEUR DU TIROIR

### RISE™/NOIR™ (VUE DE DESSUS)



### PANNEAU DÉCORATIF (VUE DU DESSUS)



**\*LES DIMENSIONS COMPRENNENT UN PANNEAU PERSONNALISÉ POUR TIROIR D'UNE ÉPAISSEUR DE 3/4 PO (19 MM)**

## PANNEAUX DÉCORATIFS DE TIROIRS PERSONNALISÉS

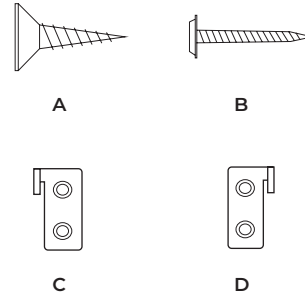
Si vous prévoyez installer des panneaux personnalisés en bois, vous devrez les créer vous-même ou consulter un ébéniste ou menuisier qualifié. Voir le dessin des dimensions pour les spécifications du panneau.

### IMPORTANT :

- L'épaisseur du panneau décoratif doit être de 3/4 po (19 mm).
- Pour éviter tout dommage aux tiroirs, le poids de chaque panneau décoratif ne doit pas dépasser 10 lb (4,5 kg).
- Respecter les dimensions indiquées pour la hauteur des panneaux décoratifs. Si la dimension de la hauteur est supérieure à la valeur recommandée, les tiroirs de réfrigération, les armoires et le plan de travail pourraient subir des dommages.
- La largeur du panneau décoratif peut varier en fonction de la largeur de l'espace d'installation de l'armoire.

- Les pièces suivantes seront requises pour l'installation d'un panneau personnalisé :

- 16 vis (autotaraudeuses en acier inoxydable à tête plate M4 x 12)
- 4 vis à bois autotaraudeuses
- 4 plaques à crochet droites pour panneau décoratif de tiroir (SPHC T=2,3)
- 4 plaques à crochet gauches pour panneau décoratif de tiroir (SPHC T=2,3)



A. Vis autotaraudeuses en acier inoxydable à tête plate M4 x 12

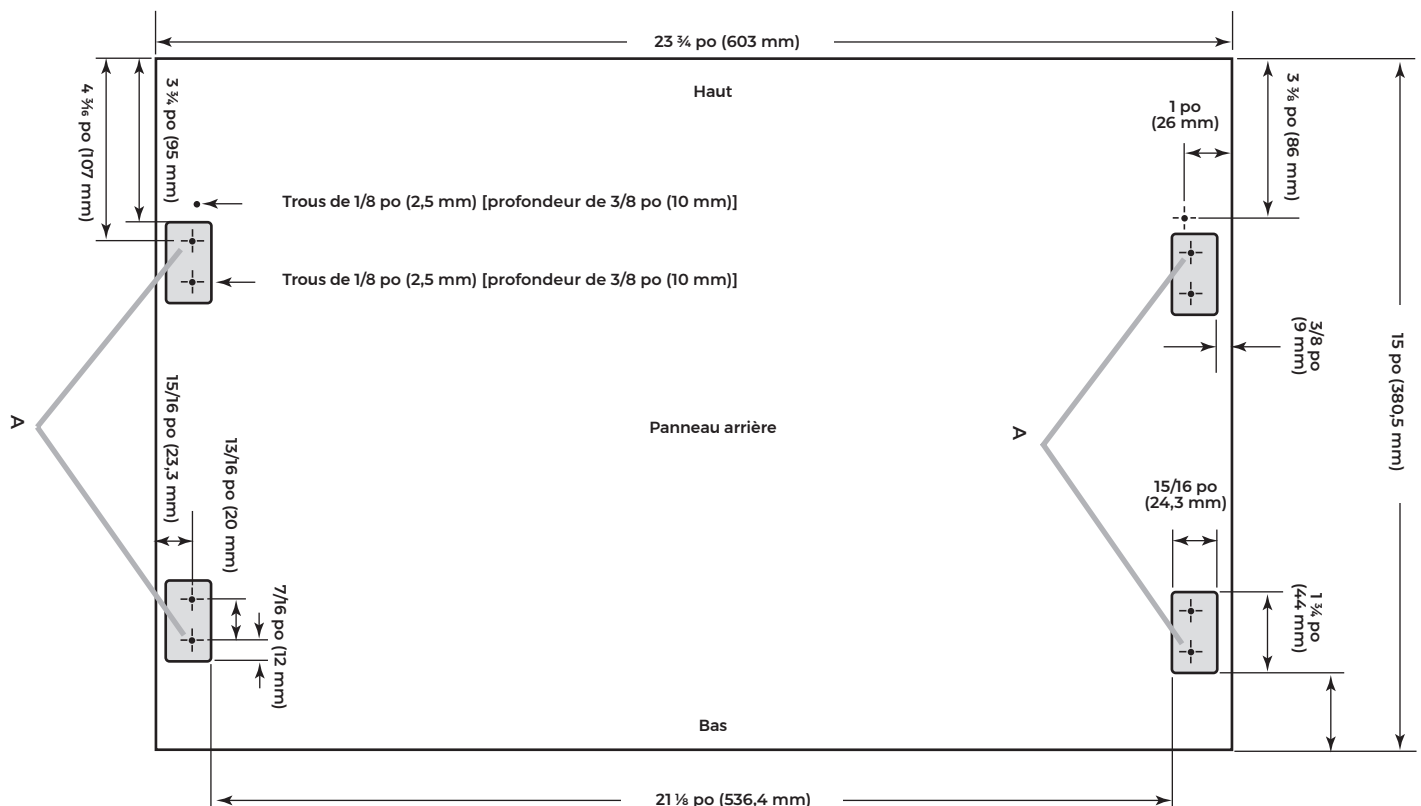
B. Vis à bois autotaraudeuses

C. Crochet droit pour panneau décoratif

D. Crochet gauche pour panneau décoratif

**REMARQUE :** L'appareil peut être accompagné de certaines ou d'aucune de ces pièces. Si ces pièces n'accompagnent pas votre produit, communiquer avec notre service d'aide ou demander à un spécialiste.

### DIMENSIONS DES PANNEAUX DÉCORATIFS DES TIROIRS DU HAUT ET DU BAS



A. Routeur de 1/8 po (2,5 mm) de profond.

## SPÉCIFICATIONS ÉLECTRIQUES

### **⚠ AVERTISSEMENT**



#### Risque de choc électrique

**Brancher sur une prise à 3 alvéoles reliée à la terre.**

**Ne pas enlever la broche de liaison à la terre.**

**Ne pas utiliser un adaptateur.**

**Ne pas utiliser un câble de rallonge.**

**Le non-respect de ces instructions peut causer un décès, un incendie ou un choc électrique.**

Avant de placer le tiroir réfrigérant à son emplacement final, il est important de s'assurer d'avoir la connexion électrique appropriée.

#### MÉTHODE RECOMMANDÉE DE MISE À LA TERRE

Un circuit de 115 V CA à 60 Hz relié à la terre et protégé par un fusible de 15 A ou 20 A est requis. On recommande que les tiroirs de réfrigération soient alimentés par un circuit indépendant. Utiliser une prise de courant dont l'alimentation ne peut pas être interrompue par un interrupteur. Ne pas utiliser de rallonge.

**REMARQUE :** Avant d'exécuter tout type d'installation, de nettoyage ou de remplacement d'ampoule d'éclairage, débrancher le tiroir de réfrigération ou déconnecter la source de courant électrique.

## SPÉCIFICATIONS DE L'ALIMENTATION EN EAU (RÉFRIGÉRATEUR ET TIROIR DE CONGÉLATION SEULEMENT)

Rassembler les outils et pièces nécessaires avant d'entreprendre l'installation. Lire et observer les instructions fournies avec chacun des outils de la liste ci-dessous.

#### IMPORTANT :

- Brancher à une source d'eau potable.

Ne pas utiliser pour le filtrage d'une eau microbiologiquement polluée ou de qualité inconnue en l'absence d'un dispositif de désinfection adéquat avant ou après le système. Les systèmes certifiés pour la réduction de kyste peuvent être utilisés pour l'eau désinfectée qui peut contenir des kystes filtrables.

- Si on met le tiroir de réfrigération en marche avant que la canalisation d'eau ne soit raccordée, éteindre la machine à glaçons.
- Toutes les installations doivent être conformes aux exigences des codes locaux de plomberie.
- Utiliser un tuyau en cuivre et vérifier qu'il n'y a pas de fuite. Installer seulement des tuyaux en cuivre là où les températures resteront au-dessus du point de congélation.

**OUTILS REQUIS :** Tournevis à lame plate, clés plates de 7/16 po et 1/2 po ou deux clés à molette, tourne-écrou de 1/4 po, foret et perceuse sans fil.

**REMARQUE :** Votre marchand de réfrigérateurs propose une trousse avec un robinet d'arrêt à étrier de 1/4 po (6 mm), un raccord et un tube en cuivre. Avant de faire un achat, s'assurer que le robinet d'arrêt à étrier est conforme aux codes locaux de plomberie. Ne pas employer de robinet d'arrêt à étrier de 3/16 po (4,76 mm) ou de type à percer – ils réduisent le débit d'eau et s'obstruent plus facilement.

#### PRESSION D'EAU

Une alimentation en eau froide avec une pression entre 30 et 120 lb/po<sup>2</sup> (207 à 827 kPa) est nécessaire pour faire fonctionner la machine à glaçons. Pour toute question au sujet de la pression de votre eau, faire appel à un plombier qualifié agréé.

#### ALIMENTATION EN EAU PAR OSMOSE INVERSE

**IMPORTANT :** La pression de l'alimentation en eau entre le système d'osmose inverse et le robinet d'arrivée d'eau du réfrigérateur doit être entre 30 et 120 lb/po<sup>2</sup> (207 et 827 kPa).

Si un système de filtration de l'eau par osmose inverse est raccordé à l'alimentation en eau froide, la pression de l'eau au système doit être d'un minimum de 40 à 60 lb/po<sup>2</sup> (276 à 414 kPa).

Si la pression d'eau au système de filtration par osmose inverse est inférieure à 40 à 60 lb/po<sup>2</sup> (276 à 414 kPa) :

- Vérifier que le filtre à sédiment dans le système à osmose inverse n'est pas obstrué. Remplacer le filtre si nécessaire.
- Laisser le réservoir du système d'osmose inverse se remplir après une utilisation intense.

Pour toute question au sujet de la pression de votre eau, faire appel à un plombier qualifié agréé.

# INSTRUCTIONS D'INSTALLATION

## DÉBALLAGE DU TIROIR DE RÉFRIGÉRATION

### **⚠ AVERTISSEMENT**

#### Risque du poids excessif

Utiliser deux ou plus de personnes pour déplacer et installer le(s) tiroir(s) réfrigéré(s).

Le non-respect de cette instruction peut causer une blessure au dos ou d'autre blessure.

#### RETRAIT DES MATÉRIEAUX D'EMBALLAGE

Enlever tout résidu de ruban adhésif et de colle des surfaces avant de mettre en marche votre tiroir de réfrigération. Frotter une petite quantité de savon liquide à vaisselle sur le résidu de colle avec les doigts. Rincer à l'eau tiède et sécher. Ne pas utiliser d'instruments coupants, d'alcool à friction, de liquides inflammables ou de nettoyants abrasifs pour enlever le ruban adhésif ou la colle.

Ces produits peuvent endommager la surface de votre tiroir de réfrigération. Jeter le matériel d'emballage de manière appropriée.

#### Déplacement des tiroirs réfrigérés :

Vos tiroirs réfrigérés sont lourds. Lors du déplacement de l'appareil pour le service, veiller à recouvrir le plancher avec du carton ou un panneau de fibres dures pour éviter qu'il ne subisse tout dommage. Toujours tirer l'appareil tout droit lors du déplacement. Ne pas incliner l'appareil d'un côté ou de l'autre ni le "faire marcher" en essayant de le déplacer car le plancher pourrait être endommagé.

#### NETTOYAGE AVANT UTILISATION

Après avoir enlevé tous les matériaux d'emballage, nettoyer l'intérieur des tiroirs de réfrigération avant de les utiliser. Voir la section « Nettoyage ».

#### RACCORDEMENT DE L'ALIMENTATION EN EAU (RÉFRIGÉRATEUR ET TIROIR DE CONGÉLATION SEULEMENT)

##### RACCORDEMENT À LA CANALISATION D'EAU

Ne pas utiliser pour le filtrage d'une eau microbiologiquement polluée ou de qualité inconnue en l'absence d'un dispositif de désinfection adéquat avant ou après le système. Les systèmes certifiés pour la réduction de kyste peuvent être utilisés pour l'eau désinfectée qui peut contenir des kystes filtrables.

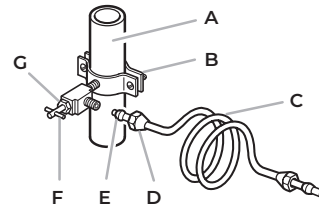
1. Débrancher les tiroirs de réfrigération ou couper la source de courant électrique.
2. COUPER l'alimentation principale en eau. OUVRIR le robinet le plus proche assez longtemps pour vider l'eau du tuyau.
3. Identifier une canalisation d'eau froide verticale de 1/2 po to 1 1/4 po (12.5 mm to 31.8 mm) à proximité du tiroir de réfrigération.

#### IMPORTANT :

- Vérifier qu'il s'agit d'une canalisation d'eau froide.

- On peut aussi utiliser une canalisation horizontale; dans ce cas, on devra percer sur la face supérieure du tuyau et non pas au-dessous. Ceci permet de tenir la perceuse à l'écart de l'eau et d'empêcher les sédiments qu'on trouve normalement dans l'eau de s'accumuler dans le robinet d'arrêt.

4. Déterminer la longueur de tube de cuivre à utiliser. Mesurer la distance entre le raccord situé sur la partie inférieure arrière gauche du tiroir de réfrigération et la canalisation. Ajouter 7 pi (2,1 m) pour permettre les opérations de nettoyage. Utiliser un tube en cuivre de 1/4 po (6 mm) de diamètre extérieur. Veiller à ce que le tube soit coupé d'équerre aux deux extrémités.
5. À l'aide d'une perceuse sans fil, percer un trou de 1/4 po dans la canalisation d'eau froide sélectionnée.



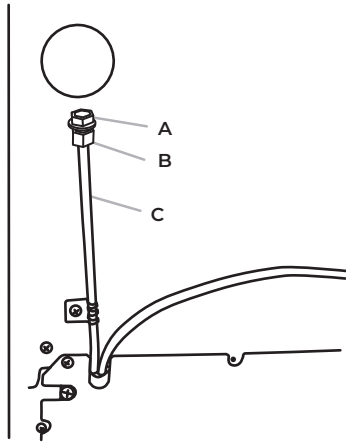
- A. Canalisation d'eau froide
- B. Bride de tuyau
- C. Tube en cuivre
- D. Écrou de compression
- E. Bague de compression
- F. Robinet d'arrêt
- G. Écrou de serrage

6. Fixer le robinet d'arrêt sur la canalisation d'eau froide avec la bride de tuyau. Vérifier que le raccord du robinet est bien engagé dans le trou de 1/4 po percé dans la canalisation d'eau et que la rondelle d'étanchéité se trouve sous la bride du tuyau. Serrer l'écrou de serrage. Serrer lentement et uniformément les vis fixant la bride de tuyau sur le tuyau afin d'assurer l'étanchéité du joint. Ne pas serrer excessivement, car ceci pourrait provoquer l'écrasement du tube en cuivre.
7. Enfiler la bague et l'écrou de compression sur le tube en cuivre comme illustré. Insérer l'extrémité du tube directement dans l'extrémité de sortie, aussi loin que possible. Visser l'écrou de compression sur l'extrémité de sortie du raccord à l'aide d'une clé à molette. Ne pas serrer excessivement.
8. Placer le bout libre du tube dans un contenant ou évier et OUVRIR le robinet principal d'alimentation en eau. Laisser l'eau s'écouler par le tube jusqu'à ce qu'elle soit limpide. FERMER le robinet d'arrêt de la canalisation d'eau. Lever le tube de cuivre.

#### RACCORDEMENT AU RÉFRIGÉRATEUR

1. Raccorder le tube de cuivre au robinet d'arrivée d'eau à l'aide d'un écrou et d'une bague de compression, comme illustré. Serrer l'écrou de compression. Ne pas serrer excessivement. Utiliser la bride du tube à l'arrière du tiroir de réfrigération pour fixer le tube au tiroir de réfrigération comme illustré. Ceci aide à éviter d'endommager le tube lorsque le tiroir de réfrigération est poussé contre le mur.
2. OUVRIR le robinet d'arrêt.

- Vérifier qu'il n'y a pas de fuites. Serrer tous les raccords (y compris les raccords du robinet) ou les écrous qui présentent des fuites.



A. Fiche  
B. Écrou de compression  
C. Tuyau en PEX

- La machine à glaçons comporte un filtre à eau incorporé. Si les caractéristiques de l'eau requièrent un second filtre à eau, installer celui-ci dans la canalisation d'eau de 1/4 po (6 mm) à l'une ou l'autre des extrémités de la canalisation. Se procurer un filtre à eau auprès de votre revendeur d'appareils ménagers le plus proche.
- Brancher le tiroir de réfrigération ou reconnecter la source de courant électrique.

## DÉPLACEMENT DES TIROIRS DE RÉFRIGÉRATION À LEUR EMPLACEMENT FINAL

- Placer le dessus de carton ou un du contreplaqué sous l'appareil. Retirer le chariot.
- Ne pas ôter la pellicule ou le couvercle.

### **AVERTISSEMENT**



#### Risque de choc électrique

- Brancher sur une prise à 3 alvéoles reliée à la terre.**
- Ne pas enlever la broche de liaison à la terre.**
- Ne pas utiliser un adaptateur.**
- Ne pas utiliser un câble de rallonge.**
- Le non-respect de ces instructions peut causer un décès, un incendie ou un choc électrique.**

- Brancher l'appareil sur une prise à 3 alvéoles reliée à la terre.
- Déplacer les tiroirs de réfrigération en ligne droite et uniformément devant la cavité d'encastrement.

## INSTALLATION DU PANNEAU DÉCORATIF PERSONNALISÉ

### IMPORTANT :

- Pour les modèles standards en acier inoxydable, passer ces instructions et commencer directement à la section « MISE AU NIVEAU DU TIROIR DE RÉFRIGÉRATION ».
- Réaliser le panneau décoratif personnalisé selon les spécifications de la section « Panneau décoratif personnalisé pour tiroirs ».
- JennAir n'est pas responsable des opérations d'enlèvement et de réinstallation des moulures ou panneaux décoratifs qui entraveraient l'accès au tiroir de réfrigération lors d'une intervention de réparation.

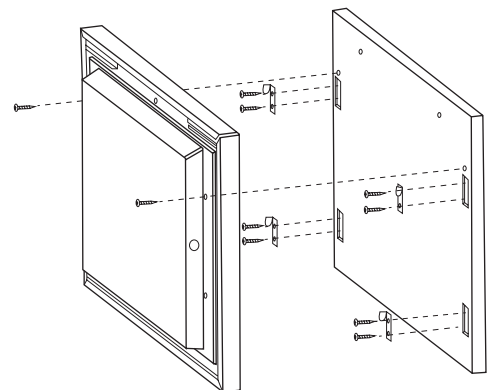
### FIXATION DU PANNEAU DÉCORATIF

**REMARQUE :** Si les crochets pour panneau décoratif ne sont pas installés, voir la section Panneau décoratif personnalisé pour tiroirs » pour connaître l'emplacement des crochets. Les crochets doivent être positionnés le plus précisément possible. Si le panneau personnalisé est mal placé, il pourrait nuire à l'utilisation optimale des tiroirs.

- Fixer la poignée personnalisée sur le panneau avant de fixer le panneau au tiroir.

**REMARQUE :** La poignée personnalisée peut varier en dimension. Les trous doivent être percés sur le panneau en respectant les dimensions de la poignée.

- Fixer les crochets sur les trous correspondants du panneau en utilisant des vis en acier inoxydable à tête plate M4 x 12. Il faut deux vis par crochet. Les crochets doivent être sur les coins extérieurs du panneau.



- Retirer doucement le joint des coins supérieurs de la porte jusqu'à ce qu'il soit possible de voir la vis cachée derrière le joint. Il y a une vis de chaque côté. Il n'est pas nécessaire d'enlever le joint.
- Retirer les vis cachées derrière le joint (une par côté).
- Aligner le panneau avec le tiroir et le soulever à 1/2 po (12,5 mm) plus haut que la porte. Placer les crochets du panneau avec les trous pilotes et pousser les crochets dans les trous. L'intérieur du tiroir est isolé de mousse, il sera donc possible de sentir une certaine résistance en poussant. Pousser jusqu'à ce que les crochets traversent la mousse.

6. Pousser le panneau vers le bas pour sécuriser les crochets au tiroir.
7. À l'aide de vis à bois autotaraudeuses (deux par tiroir, une dans chaque coin des tiroirs), fixer le panneau au tiroir.

**REMARQUE :** Ne pas remettre les vis enlevées à l'étape 4 sur le tiroir.

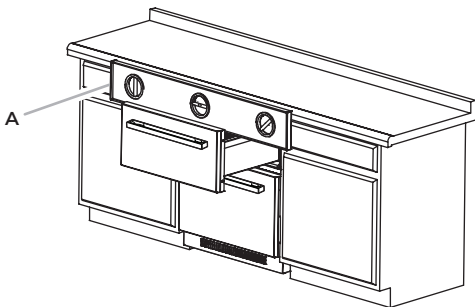
8. Une fois le panneau bien fixé au tiroir avec les deux vis, remettre le joint en place en le pressant contre la porte jusqu'à ce qu'il soit égal et qu'il tienne fermement en place.

## RÉGLAGE DE L'APLOMB DES TIROIRS DE RÉFRIGÉRATION

### IMPORTANT :

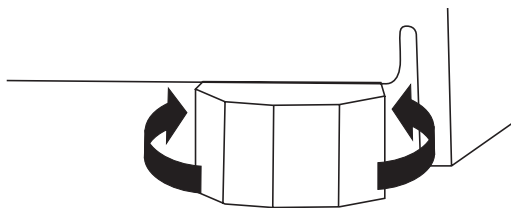
- Modèle avec panneau décoratif – S'assurer d'installer les panneaux décoratifs personnalisés pour tiroir avant d'effectuer la mise de niveau des tiroirs. Consulter la section « Installation du panneau décoratif personnalisé ».
- Vérifier que le plan de travail est d'aplomb avant d'installer les tiroirs de réfrigération.
- Si le comptoir n'est pas d'aplomb, ajuster les pieds de nivellement du tiroir de réfrigération jusqu'à ce que l'appareil soit de niveau avec le plan de travail. Veiller à conserver un espace minimum de 3/8 po (9,5 mm) entre la partie supérieure du tiroir et le plan de travail.

1. Ouvrir le tiroir supérieur; placer un niveau en travers du tiroir supérieur comme illustré. Vérifier le niveau de gauche à droite.

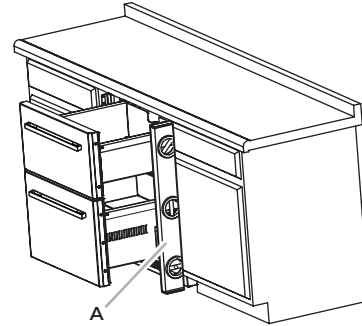


A. Vérifier le niveau de gauche à droite.

2. Tourner les pieds de nivellement (avant et arrière) jusqu'à ce que le tiroir du haut soit d'aplomb de gauche à droite.



3. Enlever le niveau et fermer le tiroir supérieur. Contrôler l'espace entre le sommet du tiroir et le plan de travail. Si l'espace mesure moins de 3/8 po (9,5 mm), tourner uniformément les quatre boulons de réglage de l'aplomb vers la gauche pour relever les pieds de nivellement (ce qui abaissera l'appareil). Contrôler l'aplomb de nouveau.
4. Ouvrir les deux tiroirs, de moins que la moitié. Placer le niveau contre le bord latéral des tiroirs comme illustré. Tourner les boulons de réglage de l'aplomb ensemble afin de relever ou d'abaisser l'appareil jusqu'à ce que les côtés du tiroir de réfrigération soit d'aplomb.



A. Vérifier le niveau de l'avant à l'arrière.

5. Enlever le niveau et fermer les tiroirs. Vérifier de nouveau l'espace entre le sommet du tiroir et le plan de travail. Si l'espace mesure moins de 3/8 po (9,5 mm), tourner uniformément les quatre boulons de réglage de l'aplomb pour relever les pieds de nivellement (ce qui abaissera l'appareil). Contrôler l'aplomb de nouveau.

**REMARQUE :** Ne pas oublier de vérifier de nouveau l'aplomb du tiroir supérieur.

6. Vérifier que les quatre pieds de nivellement sont au contact du plancher et supportent le poids total des tiroirs de réfrigération.

## TERMINER L'INSTALLATION

1. Retirer les boîtes, composants et matériaux d'emballage de l'intérieur du tiroir de réfrigération.
2. Retirer la pellicule.
3. Nettoyer les tiroirs de réfrigération avant utilisation. Consulter la section « ENTRETIEN ET NETTOYAGE ».
4. Les commandes sont pré-réglées à l'usine au réglage recommandé. S'assurer que le compresseur fonctionne bien et que toutes les lampes s'allument.
5. Si les travaux doivent se poursuivre après l'installation des tiroirs de réfrigération, ÉTEINDRE les deux tiroirs.

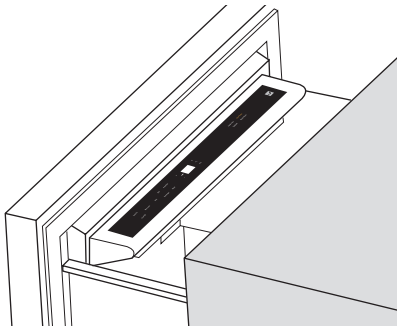
Pour pouvoir tirer le plus grand parti de vos nouveaux tiroirs de réfrigération, lire le « Guide d'utilisation des tiroirs de réfrigération ».



# UTILISATION DES TIROIRS DE RÉFRIGÉRATION

## COMMANDES

Les tableaux de commandes pour les modèles à doubles tiroirs sont situés dans le tiroir supérieur. Pour voir et régler le tableau de commande supérieur et inférieur, retirer le tiroir supérieur.

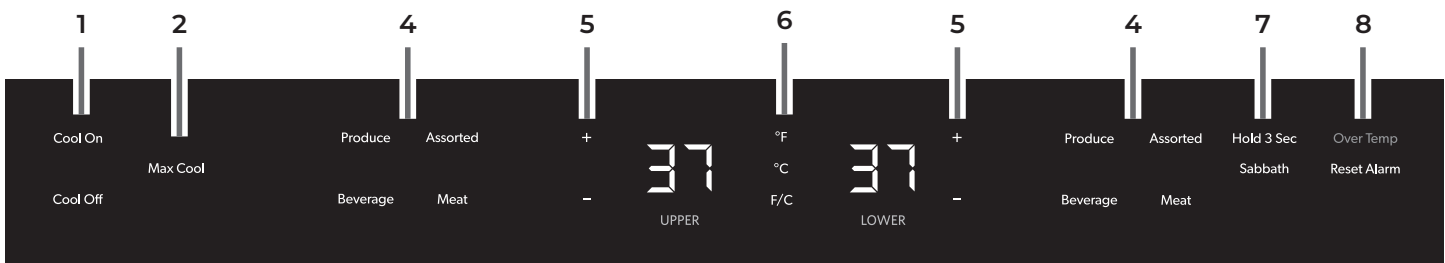


## IMPORTANT :

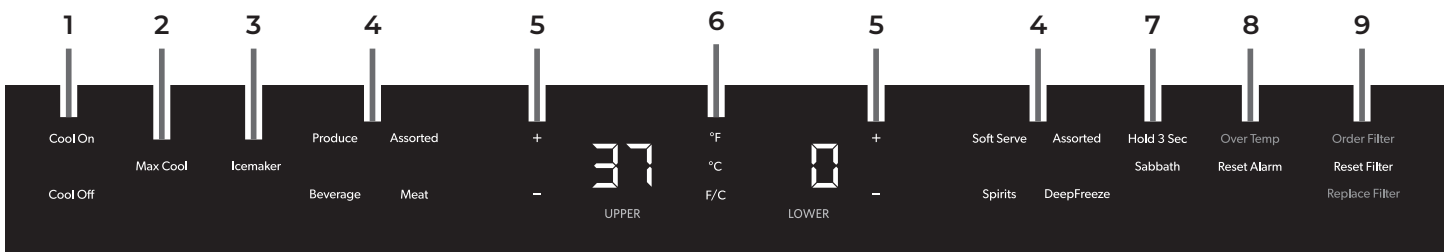
- Attendre 24 heures après avoir mis en marche les tiroirs de réfrigération avant d'y ajouter des aliments. Si on ajoute des aliments avant que les tiroirs aient complètement refroidi, les aliments risquent de se gâter.

**REMARQUE :** La modification des commandes à un réglage inférieur (plus froid) dans l'un des tiroirs ou dans les deux ne les refroidira pas plus rapidement.

- Si la température est trop tiède ou trop froide dans le congélateur, inspecter d'abord les événements pour s'assurer qu'ils ne sont pas bloqués, avant de régler la commande.
- Les pré-réglages devraient être corrects pour une utilisation domestique normale. La commande du réfrigérateur est réglée correctement lorsque le lait ou le jus est à la température souhaitée.
- La commande du congélateur est réglée correctement lorsque la crème glacée est ferme.
- La température réelle peut être différente de celle affichée lorsqu'un tiroir est laissé ouvert pendant une période prolongée.



Modèles de tiroirs de réfrigération



Modèles de tiroirs de réfrigération et de congélation

## 1. Activation/désactivation des tiroirs

- La première fois que les tiroirs sont branchés, la commande est réglée en mode de refroidissement désactivé. Les modes de refroidissement activé et de refroidissement désactivé sont les seules options qui s'affichent.
- Appuyer sur le bouton de refroidissement activé pendant 3 secondes pour mettre les tiroirs en marche. Tous les menus et les réglages de température recommandés s'affichent.

- Le clavier tactile de température et de pré-réglage gauche commande la température du compartiment supérieur.
- Le clavier tactile de température et de pré-réglage droit commande la température du compartiment inférieur.

## 2. Max Cool (refroidissement maximal)

La fonction de refroidissement maximum est utile lors de périodes d'utilisation intensive, d'ajout d'un grand nombre d'aliments ou de l'élévation temporaire de la température de la pièce.

Cette fonction place la température du tiroir de réfrigération à 32°F (0°C) et du tiroir de congélation à -3°F (-19°C) pendant 24 heures.

- Appuyer sur le bouton de refroidissement maximum pour activer cette fonction.

**REMARQUE :** La température affichée restera à -3°F (-19°C) et le témoin lumineux restera activé pendant 24 heures, sauf si l'une des situations suivantes se produit :

- L'utilisateur modifie les températures des compartiments
- Le mode de désactivation du refroidissement est utilisé (activé par l'utilisateur)
- Le mode Sabbat est utilisé (activé par l'utilisateur)
- Après 24 heures, la température reviendra automatiquement au réglage précédent et le témoin lumineux s'éteindra.

**REMARQUE :** Si la température précédente était réglée sur ramollir dans le tiroir de congélation, la température retournera au réglage recommandé (0°F/-17°C) une fois la période de refroidissement maximum terminée.

## 3. Machine à glaçons et système de filtration d'eau (tiroirs de réfrigération et de congélation seulement)

Brancher à une source d'eau potable.

**IMPORTANT :** Après avoir raccordé le réfrigérateur à une source d'alimentation en eau ou avoir remplacé le filtre à eau, remplir et jeter trois bacs à glaçons complets pour préparer l'utilisation du filtre à eau avant de consommer les glaçons.

### MISE EN MARCHÉ/ARRÊT DE LA MACHINE À GLAÇONS

**IMPORTANT :** Utiliser la touche de production de glaçons du tableau de commande pour allumer ou éteindre la machine à glaçons. Ne pas ajuster le bras de commande se trouvant sur la machine à glaçons.

- Appuyer sur la touche de la machine à glaçon pour mettre la machine à glaçons en marche. Le témoin s'allume lorsqu'elle est en marche.
- Appuyer sur la touche de la machine à glaçon pour éteindre la machine à glaçons.

### NE PAS OUBLIER :

- Prévoir un délai de 24 heures pour la production du premier lot de glaçons.
- La qualité des glaçons dépend de la qualité de l'eau fournie à la machine à glaçons.
- Éviter de connecter la machine à glaçons à une alimentation en eau adoucie. Les produits chimiques adoucisseurs d'eau (comme le sel) peuvent endommager certaines pièces de la machine à glaçons et entraîner une mauvaise qualité de glaçons. Si l'alimentation en eau adoucie ne peut être évitée, s'assurer que l'adoucisseur d'eau fonctionne bien et qu'il est bien entretenu.
- Ne rien conserver à l'intérieur du bac à glaçons.

## 4. Utilisation des pré-réglages

Pour votre commodité, chaque tiroir est également équipé de commandes pré-réglées à des températures d'entreposage recommandées pour des produits spécifiques.

Appuyer sur une option de pré-réglage placera la température au niveau recommandé pour chaque catégorie de produits :

### Tiroirs de réfrigération

- Produits : 39°F (3°C)
- Assortiment : 37°F (2°C)
- Boisson : 34°F (1°C)
- Viande : 32°F (0°C)

### Tiroir du congélateur

- Ramollir : 6°F (-14°C)

**REMARQUE :** La fonction ramollir est un réglage temporaire de température d'une durée de 4 heures. La température reviendra à son réglage précédent une fois terminé.

- Assortiment : 0°F (-17°C)
- Spiritueux : -2°F (-18°C)
- Très froid : -8°F (-22°C)

## 5. Réglage des températures

Lorsque les tiroirs de réfrigération sont mis en marche pour la première fois, la température recommandée est réglée par défaut. Les commandes règlent la température de façon indépendante pour les deux compartiments.

- Pour ajuster les réglages de température, appuyer sur la touche « + » (plus) ou « - » (moins) jusqu'à ce que la température désirée soit atteinte.

### Modèle JUDFP242\*

**REMARQUE :** La valeur de réglage pour les tiroirs de réfrigération doubles est de 37°F (2°C). La valeur de réglage pour ce modèle est de 32°F à 42°F (0°C à 5°C) pour les deux compartiments.

### Modèle JUCFP242\*

**REMARQUE :** La valeur de réglage pour les modèles avec tiroirs de réfrigération et de congélation est de 37°F (2°C) pour le tiroir de réfrigération et de 0°F (-17°C) pour le tiroir de congélation. La valeur de réglage pour le modèle avec tiroirs de réfrigération et de congélation est comprise entre 32°F et 42°F (0°C et 5°C) pour le tiroir de réfrigération, et -8°F et 6°F (-22°C et -14°C) pour le tiroir de congélation.

**REMARQUE :** Attendre au moins 24 heures entre les ajustements pour que les produits s'adaptent.

## 6. Visualisation de la température en degrés Celsius/Fahrenheit

Appuyer sur la touche tactile F/C pour alterner l'affichage de la température en degrés Fahrenheit ou en degrés Celsius. Le témoin correspondant s'allumera.

## 7. Mode Sabbath (Sabbat)

Le mode Sabbath est conçu pour les personnes qui partent en voyage ou pour les celles dont les pratiques religieuses requièrent l'extinction des lumières. En sélectionnant cette caractéristique, les points de réglage de température restent inchangés, mais les lumières du panneau de commande, les lampes d'intérieur et les signaux sonores du panneau de commande sont désactivés. Pour un fonctionnement plus efficace du tiroir de réfrigération, il est recommandé de sortir du mode Sabbath lorsque celui-ci n'est plus nécessaire.

- Appuyer sur le bouton SABBATH (Sabbat) pendant 3 secondes pour activer la caractéristique. Après le compte à rebours de 3 secondes, la caractéristique s'active et tous les autres affichages s'éteignent.
- Appuyer sur le bouton SABBATH (Sabbat) pendant 3 secondes pour désactiver la caractéristique et activer l'affichage.

## 8. Alarme Over Temp (dépassement de température)

**REMARQUE :** Si l'alarme de dépassement de température s'active, les aliments pourraient se gâter. Voir la section « Pannes de courant ». Limiter l'ouverture des tiroirs jusqu'à ce que la température revienne à normal.

La fonction de dépassement de température est conçue pour laisser savoir lorsque la température du tiroir de réfrigération monte au-dessus de 45°F (7°C) ou lorsque la température du tiroir de congélation monte au-dessus de 6°F (-14°C) pendant 4 heures ou plus. L'alarme sonore s'éteint automatiquement lorsque la température revient à la normale. Pour vous avertir d'un dépassement de température, le témoin lumineux continue de clignoter jusqu'à ce que l'on appuie sur la touche de réinitialisation de l'alarme. Si le dépassement de température persiste après un réarmement de l'alarme de dépassement de température, le témoin lumineux continue de se réactiver toutes les 4 heures jusqu'à ce que les températures des tiroirs de réfrigération et de congélation descendent sous 45°F (7°C) et 15°F (-9°C), respectivement.

**REMARQUE :** Ces caractéristiques ne s'affichent pas sur la commande à moins que la température du tiroir de réfrigération dépasse la plage des températures pré-réglées et que l'alarme doit être réinitialisée.

## 9. Indicateur du filtre à eau/Reset Filter (réinitialisation du filtre)

Le témoin du filtre à eau aide à savoir quand remplacer le filtre à eau. Le témoin lumineux passe de sombre à jaune lorsque le moment est venu de commander un nouveau filtre.

Le témoin lumineux passe ensuite de jaune à rouge lorsque le moment est venu de remplacer le filtre.

Le filtre à eau jetable doit être remplacé au moins tous les 6 mois. Après avoir remplacé le filtre, réinitialiser le témoin du filtre à eau.

- Maintenir enfoncé le bouton de RESET FILTER (réinitialisation du filtre) pendant 3 secondes. Le témoin lumineux s'éteint.

**REMARQUE :** Ces éléments ne s'afficheront pas aux commandes, sauf s'il est temps de commander ou de remplacer le filtre.

## SONS NORMAUX

Vos tiroirs de réfrigération peuvent produire des sons que vos anciens tiroirs de réfrigération ne faisaient pas. Puisque ces sons sont nouveaux, ils pourraient vous inquiéter. La plupart de ces nouveaux sons sont normaux. Les sons peuvent vous sembler plus forts avec des surfaces dures comme le sol, les murs et les armoires. Les descriptions suivantes indiquent le genre de sons et leur cause possible.

- Votre tiroir de réfrigération est conçu pour fonctionner plus efficacement afin de conserver les aliments aux températures désirées et pour réduire la consommation d'énergie. Le compresseur et les ventilateurs très efficaces peuvent faire fonctionner votre tiroir de réfrigération plus longtemps que l'ancien. Il se peut également que vous entendiez un bruit saccadé ou aigu provenant du compresseur ou des ventilateurs qui s'ajustent pour optimiser la performance.
- Vous pouvez entendre le moteur du ventilateur de l'évaporateur qui fait circuler l'air à travers le tiroir de réfrigération. La vitesse du ventilateur peut augmenter si les tiroirs sont ouverts ou si des aliments chauds sont ajoutés.
- À la fin de chaque programme, il est possible d'entendre un gargouillement attribuable au réfrigérant qui s'écoule dans le tube du système scellé.
- La contraction et l'expansion des parois internes peuvent produire un bruit sec.
- Vous pouvez entendre de l'air qui est transmis au condenseur par le ventilateur du condenseur.
- Vous pouvez entendre l'écoulement de l'eau dans le plat de récupération d'eau de dégivrage pendant l'intermittence inactive.

## POUR ASSURER UNE CIRCULATION D'AIR CORRECTE

Afin d'assurer des températures correctes, vous devez permettre une circulation d'air correcte dans les tiroirs.

Ne pas bloquer les ouvertures d'aération. Si les ouvertures d'aération sont bloquées, le flux d'air est obstrué et des problèmes de température et d'humidité peuvent survenir.

**IMPORTANT :** Pour éviter le transfert d'odeurs et l'assèchement des aliments, envelopper ou recouvrir hermétiquement les aliments.

## MACHINE À GLAÇONS

### UTILISATION DE LA MACHINE À GLAÇONS SANS FILTRE À EAU

Il est possible d'utiliser la machine à glaçons sans le filtre à eau. L'eau ne sera pas filtrée.

1. Enlever le couvercle du filtre à eau au bout du filtre à eau. Placer le couvercle à la position horizontale et l'insérer dans la grille de la base jusqu'à ce qu'il s'arrête.

**IMPORTANT :** Ne pas jeter le couvercle. Il fait partie de votre réfrigérateur. Garder le bouchon pour l'utiliser avec un filtre de remplacement.

# ENTRETIEN ET NETTOYAGE

## NETTOYAGE

### **AVERTISSEMENT**



#### Risque d'explosion

Utiliser un produit de nettoyage ininflammable.

Le non-respect de cette instruction peut causer un décès, une explosion ou un incendie.

Les tiroirs se dégivrent automatiquement. Cependant, il faut nettoyer les deux tiroirs environ une fois par mois pour éviter l'accumulation d'odeurs. Essuyer les renversements immédiatement.

#### POUR NETTOYER LES TIROIRS :

1. Débrancher le tiroir ou couper la source de courant électrique.
2. Laver à la main, rincer et sécher les pièces amovibles et les surfaces internes soigneusement. Utiliser une éponge propre ou un linge doux et un détergent doux dans de l'eau tiède.
  - Ne pas utiliser de nettoyeurs puissants ou abrasifs tels que les nettoyeurs à vitre en atomiseurs, nettoyeurs à récurer, liquides inflammables, cires nettoyantes, détergents concentrés, agents de blanchiment ou nettoyeurs contenant du pétrole sur les pièces en plastique, les garnitures intérieures et garnitures de portes ou sur les joints de portes. Ne pas utiliser d'essuie-tout, de tampons à récurer ou d'autres outils de nettoyage abrasifs. Ces produits risquent d'égratigner ou d'endommager les matériaux.
  - Pour aider à éliminer les odeurs, on peut laver les parois intérieures avec un mélange d'eau tiède et de bicarbonate de soude (2 c. à soupe pour 1 pte [26 g pour 0,95 L] d'eau).

3. Laver les surfaces extérieures en acier inoxydable et surfaces extérieures peintes avec une éponge propre ou un linge doux et un détergent doux dans de l'eau tiède. Ne pas utiliser de nettoyeurs abrasifs ou puissants. Sécher soigneusement avec un chiffon doux. Afin d'éviter d'endommager les parties métalliques extérieures peintes, appliquer de la cire pour appareil électroménager (ou cire en pâte pour automobiles) à l'aide d'un chiffon propre et doux. Ne pas cirer les pièces en plastique.

**REMARQUE :** Pour que vos tiroirs de réfrigération en acier inoxydable conservent leur aspect neuf et pour enlever les petites égratignures ou marques, il est suggéré d'utiliser le nettoyeur et poli pour acier inoxydable approuvé par le fabricant. Pour commander le nettoyeur, voir la section « Accessoires ».

#### IMPORTANT :

- Ce nettoyeur doit être utilisé sur les pièces en acier inoxydable uniquement!

- Veiller à ce que le nettoyeur et poli pour acier inoxydable n'entre pas en contact avec les pièces de plastique comme les garnitures, couvercles de distributeurs ou joints de tiroir. En cas de contact accidentel, nettoyer la pièce de plastique avec une éponge et un détergent doux et de l'eau tiède. Sécher soigneusement avec un chiffon doux.

## REPLACEMENT DU FILTRE À EAU

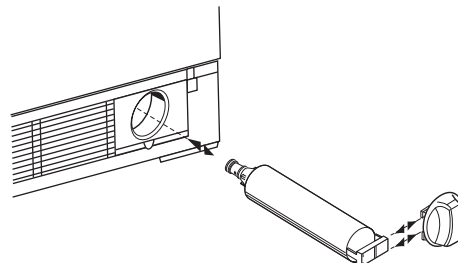
Le filtre à eau se trouve au travers de la grille de la base. Il n'est pas nécessaire de retirer la grille de la base afin de changer le filtre à eau.

1. Repérer le couvercle du filtre à eau dans la grille avant de la base. Faire tourner le couvercle à eau dans le sens antihoraire pour l'amener en position verticale, puis le tirer à travers la grille de la base.

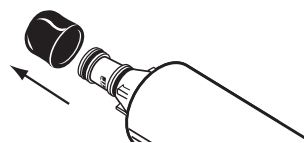
**REMARQUE :** Il y aura de l'eau dans le filtre. Il est possible qu'il y ait un dégât d'eau.

2. Enlever le couvercle du filtre à eau en le faisant glisser au bout du vieux filtre à eau. Le couvercle glissera vers la gauche ou vers la droite.

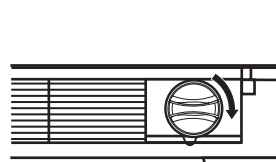
**IMPORTANT :** Ne pas jeter le couvercle. Il fait partie de votre tiroir de réfrigération. Conserver le couvercle pour l'utiliser avec le filtre de rechange.



3. Retirer le filtre neuf de son emballage, puis retirer les protections des anneaux d'étanchéité.



4. Glisser le couvercle du filtre à eau sur le nouveau filtre à eau. Voir l'illustration de l'étape 2.
5. Placer le couvercle à la position verticale et insérer le nouveau filtre dans la grille de la base jusqu'à ce qu'il s'arrête. Tourner le couvercle de la cartouche dans le sens horaire jusqu'à ce qu'il soit en position horizontale.



## PANNES DE COURANT

Si l'alimentation électrique doit être interrompue pendant 24 heures ou moins, garder les tiroirs de réfrigération et de congélation fermés pour aider les aliments à demeurer froids.

Si l'alimentation électrique doit être interrompue pendant plus de 24 heures, faire l'une des choses suivantes :

- Placer tous les aliments périssables dans une glacière avec de la glace carbonique.
- Si on ne dispose pas d'une glacière, consommer les aliments encore froids ou jeter immédiatement les denrées périssables.

## ENTRETIEN AVANT LES VACANCES

### SI VOUS CHOISISSEZ D'ARRÊTER LE FONCTIONNEMENT DU TIROIR DE RÉFRIGÉRATION AVANT VOTRE DÉPART :


1. Enlever tous les aliments des tiroirs de réfrigération.
2. Régler le tableau de commande des tiroirs supérieur et inférieur à arrêt. Voir la section « commandes ».
3. Nettoyer les tiroirs de réfrigération, les essuyer et bien les sécher.
4. À l'aide d'un ruban adhésif, placer des blocs de caoutchouc ou de bois dans chaque tiroir de façon à ce qu'ils soient suffisamment ouverts pour permettre à l'air d'entrer et d'éviter l'accumulation d'odeur ou de moisissure.

# DÉPANNAGE

Essayer d'abord les solutions suggérées ici afin d'éviter le coût d'une intervention de dépannage inutile.

## UTILISATION

**⚠ AVERTISSEMENT**



**Risque de choc électrique**

**Brancher sur une prise à 3 alvéoles reliée à la terre.**

**Ne pas enlever la broche de liaison à la terre.**

**Ne pas utiliser un adaptateur.**

**Ne pas utiliser un câble de rallonge.**

**Le non-respect de ces instructions peut causer un décès, un incendie ou un choc électrique.**

- **Le cordon d'alimentation électrique est-il débranché?** Brancher l'appareil sur une prise à 3 alvéoles reliée à la terre.
- **La commande de réfrigération est-elle réglée sur désactivé?** Voir la section « commandes ».
- **Un fusible du domicile est-il grillé ou un disjoncteur s'est-il déclenché?** Remplacer le fusible ou remettre le disjoncteur en fonction. Si le problème persiste, appeler un électricien.
- **Les tiroirs de réfrigération ne refroidissent pas?** Les éteindre, puis les remettre en marche pour réinitialiser. Voir la section « commandes ». Si cela ne résout pas le problème, faire un appel de service.

### LE MOTEUR SEMBLE FONCTIONNER TROP

- **La température de la pièce est-elle plus élevée qu'à l'habitude?** Le moteur fonctionnera plus longtemps lorsqu'il fait chaud. À des températures ambiantes normales, prévoir que le moteur fonctionne à peu près 80 % du temps. Lorsqu'il fait chaud, il fonctionnera encore plus longtemps.
- **Vient-on d'ajouter une grande quantité d'aliments dans le tiroir de réfrigération?** Ajouter une grande quantité d'aliments réchauffe le tiroir de réfrigération. Il est normal que le moteur fonctionne plus longtemps pour refroidir le tiroir de réfrigération.

- **Les tiroirs sont-ils fréquemment ouverts?**

Le moteur fonctionnera plus longtemps dans ce cas. Conserver l'énergie en sortant tous les articles en une seule fois, en rangeant les aliments de façon organisée et en fermant le tiroir le plus vite possible.

- **Les réglages sont-ils incorrects pour les conditions existantes?** Se reporter à la section « Commandes ».

- **Les tiroirs sont-ils fermés complètement?**

Bien fermer les tiroirs. S'ils ne ferment pas complètement, voir « Les tiroirs ne ferment pas bien » plus loin dans cette section.

- **Les joints du tiroir sont-ils hermétiques sur tout le contour?** Contacter un technicien ou une autre personne qualifiée.

### LE TIROIR DE RÉFRIGÉRATION SEMBLE FAIRE TROP DE BRUIT

- Les sons peuvent être normaux pour votre tiroir de réfrigération. Voir la section « Sons normaux ».

### LA CLOISON ENTRE LES DEUX COMPARTIMENTS EST TIÈDE

La température tiède est probablement attribuable à un fonctionnement normal du réglage automatique de l'humidité de l'extérieur. Si ceci vous inquiète, faire un appel de service.

## TEMPÉRATURE ET HUMIDITÉ

### LA TEMPÉRATURE EST TROP ÉLEVÉE

- **Les ouvertures d'aération sont-elles bloquées dans un compartiment ou l'autre?** Ceci empêche l'air froid de circuler entre les compartiments. Enlever tous objets placés devant les ouvertures d'aération. Voir la section « Pour assurer une circulation d'air correcte » pour savoir où se trouvent les ouvertures d'aération.

- **Les tiroirs sont-ils fréquemment ouverts?** Le tiroir de réfrigération se réchauffe dans ce cas. Garder le tiroir de réfrigération froid en sortant tous les articles en une seule fois, en rangeant les aliments de façon organisée et en fermant la porte le plus vite possible.

- **Vient-on d'ajouter une grande quantité d'aliments dans le tiroir de réfrigération?** Ajouter une grande quantité d'aliments réchauffe le tiroir de réfrigération. Plusieurs heures peuvent être nécessaires pour que le tiroir de réfrigération revienne à la température normale.

- **Les commandes sont-elles correctement réglées pour les conditions environnantes?** Voir la section « commandes ».
- **Les tiroirs de réfrigération ne refroidissent pas?** Les éteindre, puis les remettre en marche pour réinitialiser. Voir la section « commandes ». Si cela ne résout pas le problème, faire un appel de service.

#### IL Y A ACCUMULATION D'HUMIDITÉ À L'INTÉRIEUR



- **Les ouvertures d'aération sont-elles bloquées dans le tiroir de réfrigération?** Enlever tous objets placés devant les ouvertures d'aération. Voir la section « Pour assurer une circulation d'air correcte » pour savoir où se trouvent les ouvertures d'aération.
- **Les tiroirs sont-ils fréquemment ouverts?** Éviter l'accumulation d'humidité en sortant tous les articles en une seule fois, en rangeant les aliments de façon organisée et en fermant le tiroir le plus vite possible.
- **La pièce est-elle humide?** Il est normal que de l'humidité s'accumule à l'intérieur du tiroir de réfrigération lorsque l'air est humide dans la pièce.
- **Les aliments sont-ils bien emballés?** Vérifier que tous les aliments sont bien emballés. Sécher les contenants humides avant de les placer dans le tiroir de réfrigération.
- **Les commandes sont-elles correctement réglées pour les conditions environnantes?** Voir la section « commandes ».

## TIROIRS

### LE TIROIR NE FERME PAS COMPLÈTEMENT

**Les aliments emballés empêchent-ils le tiroir de fermer?** Réorganiser les contenants de sorte qu'ils soient plus rapprochés et prennent moins d'espace.

### LES TIROIRS SONT DIFFICILES À OUVRIR

 <b>AVERTISSEMENT</b>

<b>Risque d'explosion</b> <b>Utiliser un produit de nettoyage ininflammable.</b> <b>Le non-respect de cette instruction peut causer un décès, une explosion ou un incendie.</b>

- **Le joint est-il sale ou collant?** Nettoyer le joint et la surface avec laquelle il est en contact. Frotter en appliquant une fine couche de paraffine sur le joint après le nettoyage.

# ASSISTANCE

## AU CANADA

Appelez sans frais le Centre pour l'eXpérience de la clientèle canadienne de JennAir au : **1 800 JENNAIR (1 800 536-6247)**.

### NOS CONSEILLERS PEUVENT VOUS AIDER SUR LES POINTS SUIVANTS :

- Caractéristiques et spécifications de notre gamme complète d'appareils ménagers.
- Procédures d'utilisation et d'entretien.
- Vente d'accessoires et de pièces de rechange.
- Les références aux concessionnaires, compagnies de service de réparation et distributeurs de pièces de rechange locaux. Les techniciens de service désignés de JennAir Canada sont formés pour remplir la garantie des produits et fournir un service après la garantie, partout au Canada.

### POUR PLUS D'ASSISTANCE

Si vous avez besoin de plus d'assistance, vous pouvez écrire à JennAir Canada en soumettant toute question ou tout problème à :

JennAir Canada  
Customer eXperience Centre  
200 – 6750 Century Ave.  
Mississauga (Ontario) L5N 0B7

Veillez indiquer dans votre correspondance un numéro de téléphone où l'on peut vous joindre dans la journée.

## ACCESSOIRES

Pour commander des accessoires, composer le **1 800 JENNAIR (1 800 536-6247)** et demander le numéro de pièce approprié de la liste suivante ou communiquer avec un représentant JennAir autorisé.

### FILTRE À EAU DE REMPLACEMENT :

Commander le numéro de pièce 4396701

### NETTOYANT POUR CUISINE ET APPAREILS MÉNAGERS AFFRESH® :

Aux É.-U., commander le no de pièce W10355010

Au Canada, commander la pièce numéro W10355010B

### NETTOYANT POUR ACIER INOXYDABLE AFFRESH® :

Aux É.-U., commander le no de pièce W10355016

Au Canada, commander la pièce numéro W10355016B

## SI VOUS AVEZ BESOIN DE SERVICE

Avant de faire un appel pour assistance ou dépannage, vérifier la section « Dépannage ». Cette vérification peut vous faire économiser le coût d'une intervention de dépannage. Pour de l'aide supplémentaire, suivre les instructions ci-dessous.

Avant d'appeler, avoir à portée de la main la date d'achat, ainsi que les numéros de modèle et de série complets de l'appareil. Ces renseignements nous aideront à mieux répondre à votre demande. Consultez la page de garantie du présent manuel pour plus d'information sur le service.

## SI VOUS AVEZ BESOIN DE PIÈCES DE RECHANGE

Les composants doivent être remplacés par des composants similaires et l'entretien doit être effectué par une personne d'entretien autorisée par l'usine, ce qui permettra de réduire les risques d'ignition possible causés par l'utilisation de mauvaises pièces ou le mauvais entretien.

## AUX É.-U.

Appelez sans frais le centre d'eXpérience à la clientèle JennAir au **1 800 JENNAIR (1 800 536-6247)**, ou visitez notre site Web au **www.jennair.com**.

### NOS CONSEILLERS PEUVENT VOUS AIDER SUR LES POINTS SUIVANTS :

- Caractéristiques et spécifications de notre gamme complète d'appareils ménagers.
- Renseignements sur l'installation.
- Procédures d'utilisation et d'entretien.
- Vente d'accessoires et de pièces de rechange.
- Assistance spécialisée au client (langue espagnole, malentendants, malvoyants, etc.).
- Orientation vers des revendeurs, distributeurs de pièces de rechange et services de réparation locaux. Les techniciens de service désignés par JennAir sont formés pour remplir la garantie des produits et fournir un service après garantie partout aux États-Unis.

Pour localiser la compagnie de service désignée par JennAir dans votre région, vous pouvez également consulter les Pages jaunes.

### POUR PLUS D'ASSISTANCE

Si vous avez besoin de plus d'assistance, vous pouvez écrire à JennAir en soumettant tout question ou problème à :

JennAir Brand Home Appliances  
Customer eXperience Center  
553 Benson Road  
Benton Harbor, MI 49022-2692

Veillez indiquer dans votre correspondance un numéro de téléphone où l'on peut vous joindre dans la journée.

**FICHES DE DONNÉES DE PRODUITS**  
**SYSTÈME DE FILTRATION D'EAU DE LA GRILLE DE LA BASE**  
**MODÈLE WF-L200V CAPACITÉ 200 GALLONS (757 LITRES)**  
**MODÈLE WF-NL120V CAPACITÉ 120 GALLONS (454 LITRES)**



Produit testé et certifié par NSF International en vertu de la norme ANSI/NSF 42 (réduction du goût et de l'odeur du chlore, et particules (classe III\*); et en vertu de la norme ANSI/NSF 53 (réduction de plomb, mercure, benzène, et p-dichlorobenzène).

Ce système a été testé selon les normes NSF/ANSI 42/53 pour la réduction des substances énumérées ci-dessous. La concentration des substances indiquées dans l'eau entrant dans le système a été réduite à une concentration inférieure ou égale à la limite permmissible pour l'eau qui quitte le système, comme spécifié par les normes ANSI/NSF 42/53.

Réduction concentration produits de désinfection	Critères de réduction NFS	Affluent moyen	Concentration dans l'eau à traiter	Effluent maximal	Effluent moyen	% de réd. minimale	Réduction de concentration % moy.
Goût/odeur de chlore Particules de classe III*	≥50 % ≥85 %	1,9 mg/L 49 333/mL	2,0 mg/L ± 10 % Au moins 10 000 particules/mL	0,07 mg/L 640 mg/L**	0,06 mg/L 312 mg/L	>75,0 % 98,7 %	>75,0 % 99 %

Réduction des contaminants	Critères de réduction NFS	Affluent moyen	Concentration dans l'eau à traiter	Effluent maximal	Effluent moyen	% de réd. minimale	Réduction de concentration % moy.
Plomb : à pH 6,5 Plomb : à pH 8,5	0,01 mg/L 0,01 mg/L	0,14 mg/L*** 0,15 mg/L***	0,15 mg/L ± 10 % 0,15 mg/L ± 10 %	0,001 4 mg/L 0,006 9 mg/L	0,001 1 mg/L 0,004 2 mg/L	99,0 % 95,4 %	99,21 % 97,08 %
Mercure : à pH 6,5 Mercure : à pH 8,5	0,002 mg/L 0,002 mg/L	0,005 9 mg/L 0,005 4 mg/L	0,006 mg/L ± 10 % 0,006 mg/L ± 10 %	0,000 9 mg/L 0,000 7 mg/L	0,000 4 mg/L 0,000 43 mg/L	84,74 % >87,03 %	92,47 % 91,93 %
Benzène	0,005 0 mg/L	0,015 7 mg/L	0,015 ± 10 %	0,002 mg/L	0,000 83 mg/L	87,26 %	94,71 %
p-dichlorobenzène	0,075 mg/L	0,210 mg/L	0,225 ± 10 %	0,000 5 mg/L	0,000 5 mg/L	99,76 %	99,76 %

Paramètres de tests : pH = 7,5 ± 0,5 à moins d'indications contraires. Débit = 0,5 Gpm (1,9 Lpm). Pression = 60 lb/po<sup>2</sup> (413,7 kPa). Temps. = 63°F (17,2°C).

- Il est essentiel que les exigences de fonctionnement, d'entretien et de remplacement de filtre soient respectées pour que ce produit donne le rendement annoncé.
- Modèle WF-L200V : Le système d'évaluation du filtre mesure la quantité d'eau qui passe par le filtre et indique quand remplacer le filtre. Lorsque 90 % de la vie estimée du filtre sont utilisés, le témoin passe du vert au jaune. Lorsque 100 % de la vie estimée du filtre sont utilisés, le témoin passe du jaune au rouge et il est recommandé de remplacer le filtre. Utiliser la cartouche de remplacement L200V/NL120V, numéro de pièce 4396702. Prix suggéré au détail en 2014 de 32,99 \$ US/49,99 \$ CA. Les prix sont indiqués sous réserve de modification.

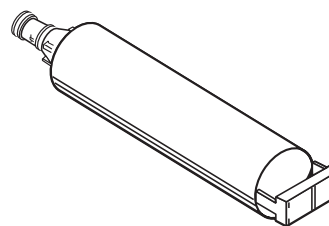
**Modèle WF-NL120V :** Remplacer la cartouche du filtre tous les 6 à 9 mois. Utiliser la cartouche de remplacement L200V/NL120V, numéro de pièce 4396702. Prix suggéré au détail en 2014 de 32,99 \$ US/49,99 \$ CA. Les prix sont indiqués sous réserve de modification.

- Le produit doit être utilisé pour l'eau froide seulement.
- Ne pas utiliser ce produit pour filtrer une eau microbiologiquement polluée ou de qualité inconnue en l'absence d'un dispositif de désinfection adéquat en amont ou en aval du système.

- Consulter la couverture ou la section « Accessoires » pour obtenir le nom du fabricant et ses coordonnées.
- Consulter la section « Garantie » pour connaître la garantie limitée.

**Directives d'application/paramètres d'approvisionnement en eau**

Source d'eau	Ville ou puits
Pression d'eau	30 à 120 lb/po <sup>2</sup> (207 à 827 kPa)
Température de l'eau	33° à 100 °F (0,6° à 37,8 °C)
Débit nominal	0,5 gpm (1,89 L/min) à 60 lb/po <sup>2</sup> (413,7 kPa)



\*Classe III - taille des particules : > 5 à <15 um

\*\*Exigence de test : au moins 10 000 particules/mL (poussière de test fine AC).

\*\*\*Ces contaminants ne sont pas nécessairement présents dans votre approvisionnement d'eau. Le rendement peut varier selon les conditions locales de l'eau.

®NSF est une marque déposée de NSF International.



# GARANTIE LIMITÉE DES APPAREILS DE RÉFRIGÉRATION JENNAIR®

ATTACHEZ ICI VOTRE REÇU DE VENTE. UNE PREUVE D'ACHAT EST OBLIGATOIRE POUR OBTENIR L'APPLICATION DE LA GARANTIE.

Lorsque vous appelez le centre d'expérience de la clientèle, veuillez garder à disposition les renseignements suivants :

- Nom, adresse et numéro de téléphone
- Numéros de modèle et de série
- Une description claire et détaillée du problème rencontré
- Une preuve d'achat incluant le nom et l'adresse du marchand ou du détaillant

## IF YOU NEED SERVICE:

1. Avant de nous contacter pour obtenir un dépannage, veuillez déterminer si des réparations sont nécessaires pour votre produit. Certains problèmes peuvent être résolus sans intervention de dépannage. Prenez quelques minutes pour parcourir la section Dépannage ou Résolution de problèmes du guide d'utilisation et d'entretien, ou rendez-vous sur le site <http://www.jennair.ca>.
2. Tout service sous garantie doit être effectué exclusivement par nos fournisseurs de dépannage autorisés JennAir. Aux É.-U. et au Canada, dirigez toutes vos demandes de service sous garantie au

**Centre d'expérience de la clientèle JennAir**  
**1-800-JENNAIR (1-800-536-6247).**

Si vous résidez à l'extérieur du Canada et des 50 États des États-Unis, contactez votre marchand JennAir autorisé pour déterminer si une autre garantie s'applique.

## GARANTIE LIMITÉE DE DIX ANS

### CE QUI EST COUVERT

#### GARANTIE LIMITÉE DE DEUX ANS (PIÈCES ET MAIN-D'OEUVRE)

Pendant deux ans à compter de la date d'achat, lorsque ce gros appareil ménager est installé, utilisé et entretenu conformément aux instructions jointes à ou fournies avec le produit, la marque JennAir de Whirlpool Corporation ou Whirlpool Canada, LP (ci-après désignées "JennAir") décidera à sa seule discrétion de remplacer le produit ou de couvrir le coût des pièces spécifiées par l'usine et de la main-d'œuvre nécessaires pour corriger les vices de matériaux ou de fabrication qui existaient déjà lorsque ce gros appareil ménager a été acheté. S'il est remplacé, l'appareil sera couvert pour la période restant à courir de la garantie limitée d'un an du produit d'origine.

#### GARANTIE LIMITÉE DE LA TROISIÈME À LA CINQUIÈME ANNÉE INCLUSIVEMENT SUR LA DOUBLURE DE LA CAVITÉ ET SUR LE SYSTÈME DE RÉFRIGÉRATION SCÉLLÉ

De la troisième à la cinquième année inclusivement à compter de la date d'achat initiale, lorsque ce gros appareil ménager est installé, utilisé et entretenu conformément aux instructions jointes au produit ou fournies avec, la marque JennAir paiera pour les pièces de rechange spécifiées par l'usine et la main-d'œuvre concernant les composants suivants pour corriger les défauts non esthétiques de matériau ou de fabrication de ladite pièce qui empêchent le réfrigérateur de fonctionner et qui étaient déjà présents lorsque ce gros appareil ménager a été acheté :

- Doublure de la cavité du réfrigérateur/congélateur si la pièce se fissure en raison d'un vice de matériau ou de fabrication.
- Système de réfrigération scellé (y compris le compresseur, l'évaporateur, le condenseur, le séchoir et les conduits de connexion).

#### GARANTIE LIMITÉE DE LA SIXIÈME À LA DIXIÈME ANNÉE (SYSTÈME DE RÉFRIGÉRATION SCÉLLÉ UNIQUEMENT - MAIN-D'OEUVRE NON COMPRISE)

De la sixième à la dixième année inclusivement à compter de la date d'achat, lorsque ce gros appareil ménager est installé, utilisé et entretenu conformément aux instructions jointes à ou fournies avec le produit, la marque JennAir paiera pour les pièces de rechange spécifiées par l'usine pour corriger les vices de matériaux ou de fabrication sur le système de réfrigération scellé qui existaient déjà lorsque ce gros appareil ménager a été acheté pour les pièces suivantes : compresseur, évaporateur, condenseur, sécheuse et conduits de connexion.

LE SEUL ET EXCLUSIF RECOURS DU CLIENT DANS LE CADRE DE LA PRÉSENTE GARANTIE LIMITÉE CONSISTE EN LA RÉPARATION PRÉVUE PAR LA PRÉSENTE. Le service doit être fourni par une compagnie de service désignée par JennAir. Cette garantie limitée est valide uniquement aux États-Unis ou au Canada et s'applique exclusivement lorsque le gros appareil ménager est utilisé dans le pays où il a été acheté. La présente garantie limitée est valable à compter de la date d'achat initial par le consommateur. Une preuve de la date d'achat initial est exigée pour obtenir un dépannage dans le cadre de la présente garantie limitée.

### CE QUI N'EST PAS COUVERT

1. Usage commercial, non résidentiel ou par plusieurs familles, ou non-respect des instructions de l'utilisateur, de l'opérateur ou des instructions d'installation.
2. Visite d'instruction à domicile pour montrer à l'utilisateur comment utiliser l'appareil.
3. Visites de service pour rectifier une installation ou un entretien fautif du produit, une installation non conforme aux codes d'électricité ou de plomberie, ou la rectification de l'installation électrique ou de la plomberie du domicile (ex : câblage électrique, fusibles ou tuyaux d'arrivée d'eau du domicile).
4. Pièces consommables (ex : ampoules, batteries, filtres à air ou à eau, solutions de conservation, etc.).
5. Défauts ou dommage résultant de l'utilisation de pièces ou accessoires JennAir non authentiques.
6. Dommages causés par : accident, mésusage, abus, incendie, inondations, catastrophe naturelle ou l'utilisation de produits non approuvés par JennAir.
7. Réparations aux pièces ou systèmes dans le but de rectifier un dommage ou des défauts résultant d'une réparation, altération ou modification non autorisée faite à l'appareil.
8. Défauts d'apparence, notamment les éraflures, traces de choc, fissures ou tout autre dommage subi par le fini de l'appareil ménager, à moins que ces dommages ne résultent de vices de matériaux ou de fabrication et ne soient signalés à JennAir dans les 30 jours suivant la date d'achat.
9. Décoloration, rouille ou oxydation des surfaces résultant d'environnements caustiques ou corrosifs incluant des concentrations élevées de sel, un haut degré d'humidité ou une exposition à des produits chimiques (exemples non exhaustifs).
10. Perte d'aliments ou de médicaments due à la défaillance du produit.
11. Enlèvement ou livraison. Ce produit est conçu pour être réparé à l'intérieur du domicile.
12. Frais de déplacement et de transport pour le dépannage/la réparation dans une région éloignée où une compagnie de service JennAir autorisée n'est pas disponible.
13. Retrait ou réinstallation d'appareils inaccessibles ou de dispositifs préinstallés (ex : garnitures, panneaux décoratifs, plancher, meubles, îlots de cuisine, plans de travail, panneaux de gypse, etc.) qui entravent le dépannage, le retrait ou le remplacement du produit.
14. Service et pièces pour des appareils dont les numéros de série et de modèle originaux ont été enlevés, modifiés ou ne peuvent pas être facilement identifiés.

**Le coût d'une réparation ou d'un remplacement dans le cadre de ces circonstances exclues est à la charge du client.**

---

**CLAUSE D'EXONÉRATION DE RESPONSABILITÉ AU TITRE DES GARANTIES IMPLICITES**

LES GARANTIES IMPLICITES, Y COMPRIS LES GARANTIES APPLICABLES DE QUALITÉ MARCHANDE OU D'APTITUDE À UN USAGE PARTICULIER, SONT LIMITÉES À UN AN OU À LA PLUS COURTE PÉRIODE AUTORISÉE PAR LA LOI. Certains États et provinces ne permettent pas de limitation sur la durée des garanties implicites de qualité marchande ou d'aptitude à un usage particulier, de sorte que la limitation ci-dessus peut ne pas être applicable dans votre cas. Cette garantie vous confère des droits juridiques spécifiques et vous pouvez également jouir d'autres droits qui peuvent varier d'une juridiction à l'autre.

---

**EXONÉRATION DE RESPONSABILITÉ DANS LES DOMAINES NON COUVERTS PAR LA GARANTIE**

JennAir décline toute responsabilité au titre de la qualité, de la durabilité ou en cas de dépannage ou de réparation nécessaire sur ce gros appareil ménager autre que les responsabilités énoncées dans la présente garantie. Si vous souhaitez une garantie plus étendue ou plus complète que la garantie limitée fournie avec ce gros appareil ménager, adressez-vous à JennAir ou à votre détaillant pour obtenir les modalités d'achat d'une garantie étendue.

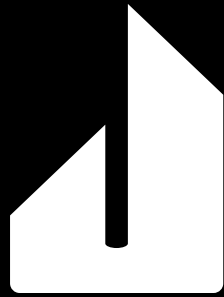
---

**LIMITATION DES RECOURS; EXCLUSION DES DOMMAGES FORTUITS OU INDIRECTS**

LE SEUL ET EXCLUSIF RECOURS DU CLIENT DANS LE CADRE DE LA PRÉSENTE GARANTIE LIMITÉE CONSISTE EN LA RÉPARATION PRÉVUE PAR LA PRÉSENTE. JENNAIR N'ASSUME AUCUNE RESPONSABILITÉ POUR LES DOMMAGES FORTUITS OU INDIRECTS. Certains États et certaines provinces ne permettent pas l'exclusion ou la limitation des dommages fortuits ou indirects de sorte que ces limitations et exclusions peuvent ne pas être applicables dans votre cas. Cette garantie vous confère des droits juridiques spécifiques et vous pouvez également jouir d'autres droits qui peuvent varier d'une juridiction à l'autre.

---

**NOTES:**



JENNAIR®