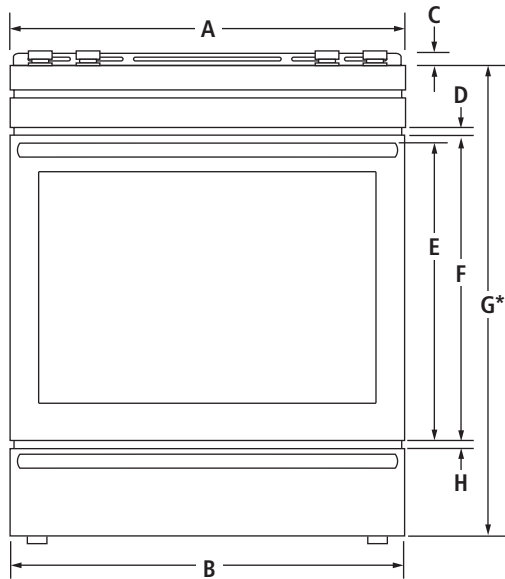


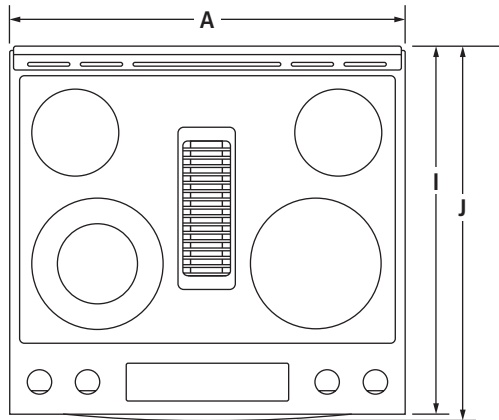
30" ELECTRIC DOWNDRAFT RANGE

JES1750E – 29⁷/₈" x 36" x 28⁵/₁₆"

PRODUCT DIMENSIONS



FRONT VIEW



TOP VIEW

MODEL #		JES1750E	
		in	cm
A	Overall width	29 ⁷ / ₈	75.9
B	Width of door	29 ⁷ / ₈	75.9
C	Height from cooktop to top of vent	1 ³ / ₁₆	3.0
D	Space between door and face panel	1 ³ / ₁₆	2.1
E	Height to top of handle	22 ⁷ / ₈	58.1
F	Height of door	23 ¹ / ₄	59.0
G*	Height to top of cooktop edge	36	91.4
H	Space between door and bottom panel	1 ³ / ₁₆	2.0
I	Depth from front of console to back of range (max.)	27 ¹³ / ₁₆	70.7
J	Depth from handle to back of range (max.)	28 ⁵ / ₁₆	71.9

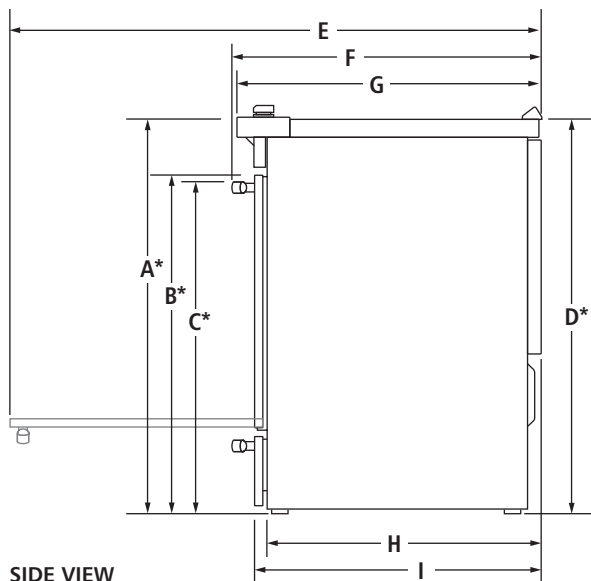
* With leveling legs screwed all the way in. Range can be raised approximately 1" (2.5 cm) by adjusting the leveling legs.

IMPORTANT: Dimensional specifications are provided for planning purposes only. Do not make any cutouts based on this information. Refer to the Installation or Use & Care Guide before selecting cabinetry, verifying electrical/gas connections, making cutouts or beginning installation. All Jenn-Air® appliances are appropriately UL, CUL or CSA approved.

30" ELECTRIC DOWNDRAFT RANGE

JES1750E – 29⁷/₈" x 36" x 28⁵/₁₆"

DIMENSIONS AS INSTALLED



SIDE VIEW



SIDE VIEW – COUNTERTOP CHANNEL DETAIL

MODEL #		JES1750E	
		in	cm
A*	Height to top of cooking surface (min.)	35 ¹ / ₂	90.2
B*	Height to top of door (min.)	30 ¹ / ₁₆	78.0
C*	Height to top of handle (min.)	30 ¹ / ₂	77.5
D*	Height to top of countertop (min.)	35 ¹³ / ₁₆	91.0
E	Depth with door fully open	50 ⁹ / ₁₆	128.5
F	Depth with handle	28 ⁵ / ₁₆	71.9
G	Depth without handle	27 ¹³ / ₁₆	70.7
H	Depth without door	25	63.5
I	Depth with door	26 ⁵ / ₁₆	66.8
J	Height of countertop channel	1 ¹³ / ₁₆	4.6
K	Depth to countertop channel	1 ³ / ₁₆	3.0

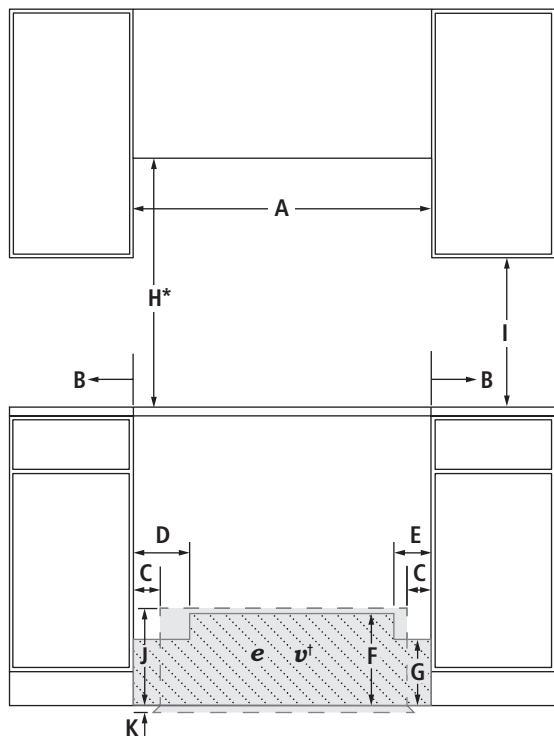
* With leveling legs screwed all the way in. Range can be raised approximately 1" (2.5 cm) by adjusting the leveling legs.

IMPORTANT: Dimensional specifications are provided for planning purposes only. Do not make any cutouts based on this information. Refer to the Installation or Use & Care Guide before selecting cabinetry, verifying electrical/gas connections, making cutouts or beginning installation. All Jenn-Air® appliances are appropriately UL, CUL or CSA approved.

30" ELECTRIC DOWNDRAFT RANGE

JES1750E – 29⁷/₈" x 36" x 28⁵/₁₆"

OPENING/CLEARANCE DIMENSIONS



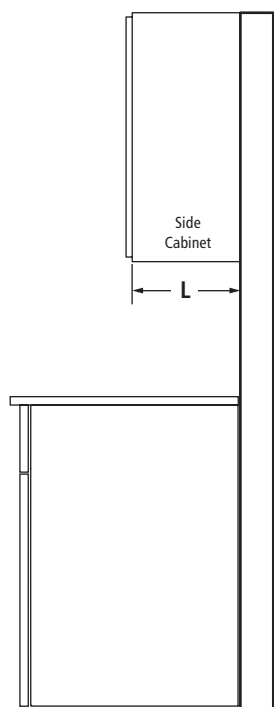
FRONT VIEW

MODEL #	JES1750E	
	in	cm
A	Width of combustable area above cooking surface (min.)	30 76.2
B	Width from cooktop to fixed wall or other combustable material (min.)	3 7.6
C	Width from electrical installation area to cabinet (min.)	4 ¹³ / ₁₆ 12.2
D	Width from vent installation area to left side of cabinet (min.)	12 30.5
E	Width from vent installation area to right side of cabinet (min.)	8 20.3
F	Height of center of rear wall vent installation area (max)	7 ¹ / ₂ 19.0
G	Height of sides of rear wall vent installation area (max)	5 ¹ / ₂ 14.0
H*	Height to bottom of uncovered wood or metal cabinet above cooking surface (min.)	30 76.2
I	Height to bottom of uncovered wood or metal cabinet (min.)	18 45.7
J	Height of electrical installation area (max.)	7 ¹ / ₁₆ 19.5
K	Depth of electrical installation area (max.)	3 ¹ / ₁₆ 9.4
L	Depth of upper cabinet (recommended)	13 33.0
M	Width of cutout	30 76.2
e	Recommended junction box location (within shaded dashed line area)	
v†	Recommended rear wall venting location (within patterned solid line area) – see page 4 for ducting information	
v†	Refer to template number W10817089B – see page 4 for ducting information	

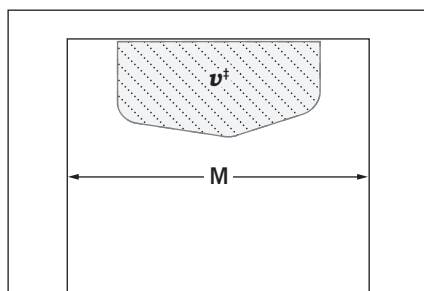
*Dimension can be reduced by 6" (15.2 cm) when bottom of wood or metal cabinet is covered by not less than 1/4" (0.6 cm) flame retardant millboard covered with not less than No. 28 MSG sheet metal, 0.015" (0.4 mm) stainless steel, 0.024" (0.6 mm) aluminum or 0.020" (0.5 mm) copper.

ELECTRICAL REQUIREMENTS

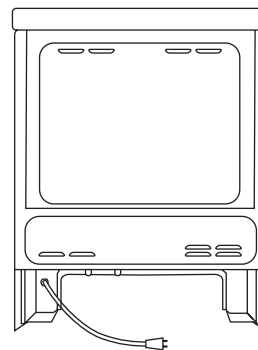
240 volt, 60 Hz, AC only, 40-amp fused, grounded circuit is required. A dedicated circuit is recommended. Minimum length of power cord is 48" (121.9 cm).



SIDE VIEW



TOP VIEW – CUTOUT

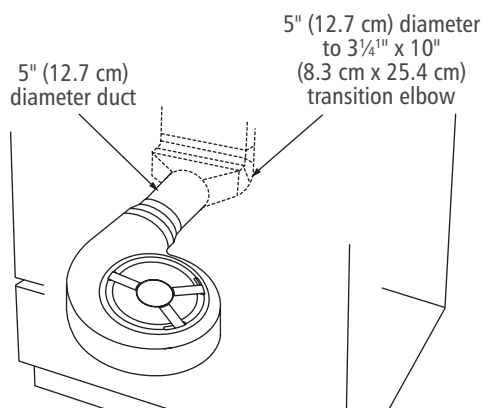


BACK VIEW

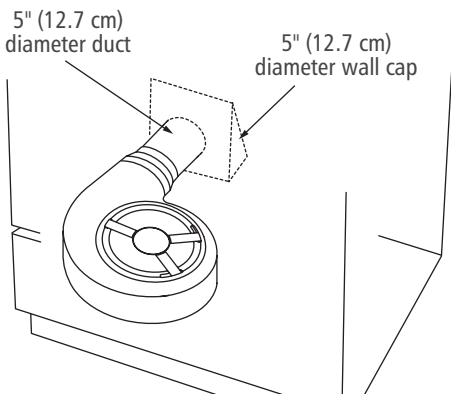
IMPORTANT: Dimensional specifications are provided for planning purposes only. Do not make any cutouts based on this information. Refer to the Installation or Use & Care Guide before selecting cabinetry, verifying electrical/gas connections, making cutouts or beginning installation. All Jenn-Air® appliances are appropriately UL, CUL or CSA approved.

DOWNDRAFT RANGE DUCTING ARRANGEMENTS

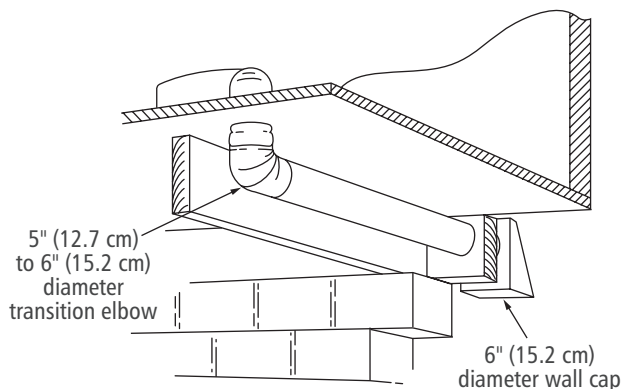
DUCTING CONFIGURATIONS



REAR DUCTING IN WALL TO ROOF



REAR DUCTING THROUGH WALL TO OUTSIDE



THROUGH FLOOR BETWEEN JOISTS TO OUTSIDE

DUCTING REQUIREMENTS

RANGE	DUCT LENGTH	DUCT SIZE
Dual Fuel	10' (3.0 m) or less*	5" (12.7 cm) diameter*
	Between 10' (3.0 m) and 60' (18.3 m)	6" (15.2 cm) diameter 3 1/4" x 10" (8.3 cm x 25.4 cm)
Electric	10' (3.0 m) or less**	5" (12.7 cm) diameter**
	Between 10' (3.0 m) and 60' (18.3 m)	6" (15.2 cm) diameter 3 1/4" x 10" (8.3 cm x 25.4 cm)

*Dual fuel ranges must use 5" (12.7 cm) diameter for runs of 10' (3.0 m) or less.

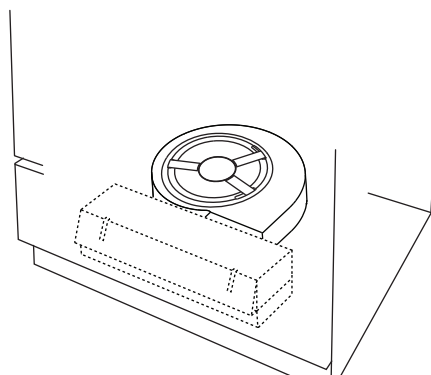
**May be used to vent straight out the back of the range and directly through the wall.

CALCULATING MAXIMUM DUCTING LENGTH

- Maximum ducting length is 60' (18.3 m).
- Each 90° elbow equals 5' (1.5 m) duct.
- Use no more than three 90° elbows.
- Flexible metal vent is not recommended.
- Do not install two elbows together.

NOTES:

- For ducting runs up to 30' (9.1 m), install range as shipped.
- For ducting runs of 31' (9.4 m) to 60' (15.2 cm), remove the restricter ring on the blower inlet housing.
- For altitudes above 4500' (1272.0 m), reduce recommended vent run by 20% for best performance.



DUCT-FREE INSTALLATION THROUGH RANGE FRONT

IMPORTANT: Dimensional specifications are provided for planning purposes only. Do not make any cutouts based on this information. Refer to the Installation or Use & Care Guide before selecting cabinetry, verifying electrical/gas connections, making cutouts or beginning installation. All Jenn-Air® appliances are appropriately UL, CUL or CSA approved.