

INSTALLATION INSTRUCTIONS

30" (76.2 CM) SLIDE-IN GAS RANGES

INSTRUCTIONS POUR L'INSTALLATION DES CUISINIÈRES

À GAZ ENCASTRABLES DE 30" (76,2 CM)

Table of Contents

RANGE SAFETY	2
INSTALLATION REQUIREMENTS	3
Tools and Parts	3
Location Requirements	3
Electrical Requirements	5
Gas Supply Requirements	6
Countertop Preparation	7
INSTALLATION INSTRUCTIONS	7
Unpack Range	7
Adjust Leveling Legs	8
Install Anti-Tip Bracket	8
Make Gas Connection	9
Verify Anti-Tip Bracket Is Installed and Engaged	10
Level Range	10
Electronic Ignition System	10
Replace Oven Racks and Storage Drawer or Warming Drawer	12
Complete Installation	12
GAS CONVERSIONS	13
LP Gas Conversion	13
Natural Gas Conversion	17

Table des matières

SÉCURITÉ DE LA CUISINIÈRE	20
EXIGENCES D'INSTALLATION	22
Outillage et pièces	22
Exigences d'emplacement	22
Spécifications électriques	24
Spécifications de l'alimentation en gaz	25
Préparation du plan de travail	26
INSTRUCTIONS D'INSTALLATION	26
Déballage de la cuisinière	26
Réglage des pieds de nivellement	27
Installation de la bride antibasculement	27
Raccordement au gaz	28
Vérifier que la bride antibasculement est bien installée et engagée	29
Réglage de l'aplomb de la cuisinière	29
Système d'allumage électronique	29
Réinstallation des grilles du four et du tiroir de remisage ou du tiroir-réchaud	31
Achever l'installation	31
CONVERSIONS POUR CHANGEMENT DE GAZ	32
Conversion pour l'alimentation au propane	32
Conversion pour l'alimentation au gaz naturel	36

IMPORTANT:

Installer: Leave installation instructions with the homeowner.

Homeowner: Keep installation instructions for future reference.

IMPORTANT :

Installateur : Remettre les instructions d'installation au propriétaire.

Propriétaire : Conserver les instructions d'installation pour référence ultérieure.

RANGE SAFETY

Your safety and the safety of others are very important.

We have provided many important safety messages in this manual and on your appliance. Always read and obey all safety messages.



This is the safety alert symbol.

This symbol alerts you to potential hazards that can kill or hurt you and others.

All safety messages will follow the safety alert symbol and either the word "DANGER" or "WARNING." These words mean:

⚠ DANGER

You can be killed or seriously injured if you don't immediately follow instructions.

⚠ WARNING

You can be killed or seriously injured if you don't follow instructions.

All safety messages will tell you what the potential hazard is, tell you how to reduce the chance of injury, and tell you what can happen if the instructions are not followed.

WARNING: If the information in this manual is not followed exactly, a fire or explosion may result causing property damage, personal injury or death.

- Do not store or use gasoline or other flammable vapors and liquids in the vicinity of this or any other appliance.
- **WHAT TO DO IF YOU SMELL GAS:**
 - Do not try to light any appliance.
 - Do not touch any electrical switch.
 - Do not use any phone in your building.
 - Immediately call your gas supplier from a neighbor's phone. Follow the gas supplier's instructions.
 - If you cannot reach your gas supplier, call the fire department.
- Installation and service must be performed by a qualified installer, service agency or the gas supplier.

WARNING: Gas leaks cannot always be detected by smell.

Gas suppliers recommend that you use a gas detector approved by UL or CSA.

For more information, contact your gas supplier.

If a gas leak is detected, follow the "What to do if you smell gas" instructions.

In the State of Massachusetts, the following installation instructions apply:

- Installations and repairs must be performed by a qualified or licensed contractor, plumber, or gasfitter qualified or licensed by the State of Massachusetts.
- If using a ball valve, it shall be a T-handle type.
- A flexible gas connector, when used, must not exceed 3 feet.

⚠ WARNING

Tip Over Hazard

A child or adult can tip the range and be killed.

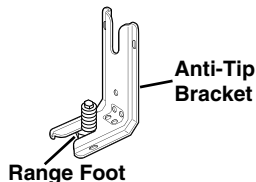
Install anti-tip bracket to floor or wall per installation instructions.

Slide range back so rear range foot is engaged in the slot of the anti-tip bracket.

Re-engage anti-tip bracket if range is moved.

Do not operate range without anti-tip bracket installed and engaged.

Failure to follow these instructions can result in death or serious burns to children and adults.



To verify the anti-tip bracket is installed and engaged:

- Slide range forward.
- Look for the anti-tip bracket securely attached to floor or wall.
- Slide range back so rear range foot is under anti-tip bracket.
- See installation instructions for details.

INSTALLATION REQUIREMENTS

Tools and Parts

Gather the required tools and parts before starting installation. Read and follow the instructions provided with any tools listed here.

Tools needed

- Tape measure
- Phillips screwdriver
- Flat-blade screwdriver
- 1/8" flat-blade screwdriver
- Level
- Hand or electric drill
- Wrench or pliers
- Pipe wrench
- 15/16" combination wrench
- 1/8" (3.2 mm) drill bit (for wood floors)
- Marker or pencil
- Pipe-joint compound resistant to LP gas
- 3/16" (4.8 mm) carbide-tipped masonry drill bit (for concrete/ceramic floors)
- Noncorrosive leak-detection solution

For LP/Natural Gas Conversions

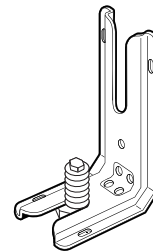
- 1/2" combination wrench
- 1/4" (6 mm) nut driver
- 9/32" (7 mm) nut driver
- Masking tape

Parts supplied

Check that all parts are included.

- LP/Natural Gas Conversion Kit (taped on regulator support behind access panel)
- 4 or 5 - Burner caps (depending on model)
- 2 - Burner grates
- 2 or 3 - Oven racks (depending on model)
- 2 - #12 x 1 5/8" screws (for mounting anti-tip bracket)

- Anti-tip bracket (taped to package containing literature in oven cavity)



Anti-tip bracket must be securely mounted to the back wall or floor. Thickness of flooring may require longer screws to anchor bracket to subfloor. Longer screws are available from your local hardware store.

Parts needed

Check local codes and consult gas supplier. Check existing gas supply and electrical supply. See "Electrical Requirements" and "Gas Supply Requirements" sections.

Location Requirements

IMPORTANT: Observe all governing codes and ordinances. Do not obstruct flow of combustion and ventilation air.

- It is the installer's responsibility to comply with installation clearances specified on the gas information plate. The gas information plate is located behind the storage drawer on the left-hand side of the oven frame.
- The range should be located for convenient use in the kitchen.
- Recessed installations must provide complete enclosure of the sides and rear of the range.
- To eliminate the risk of burns or fire by reaching over heated surface units, cabinet storage space located above the surface units should be avoided. If cabinet storage is to be provided, the risk can be reduced by installing a range hood or microwave hood combination that projects horizontally a minimum of 5" (12.7 cm) beyond the bottom of the cabinets.

- All openings in the wall or floor where range is to be installed must be sealed.
- Cabinet opening dimensions that are shown must be used. Given dimensions are minimum clearances.
- The floor anti-tip bracket must be installed. To install the anti-tip bracket shipped with the range, see “Install Anti-Tip Bracket” section.
- Grounded electrical supply is required. See “Electrical Requirements” section.
- Proper gas supply connection must be available. See “Gas Supply Requirements” section.
- Contact a qualified floor covering installer to check that the floor covering can withstand at least 200°F (93°C).
- Use an insulated pad or ¼" (0.64 cm) plywood under range if installing range over carpeting.

IMPORTANT: To avoid damage to your cabinets, check with your builder or cabinet supplier to make sure that the materials used will not discolor, delaminate or sustain other damage. This oven has been designed in accordance with the requirements of UL and CSA International and complies with the maximum allowable wood cabinet temperatures of 194°F (90°C).

Mobile Home - Additional Installation Requirements

The installation of this range must conform to the Manufactured Home Construction and Safety Standard, Title 24 CFR, Part 3280 (formerly the Federal Standard for Mobile Home Construction and Safety, Title 24, HUD Part 280). When such standard is not applicable, use the Standard for Manufactured Home Installations, ANSI A225.1/NFPA 501A or with local codes.

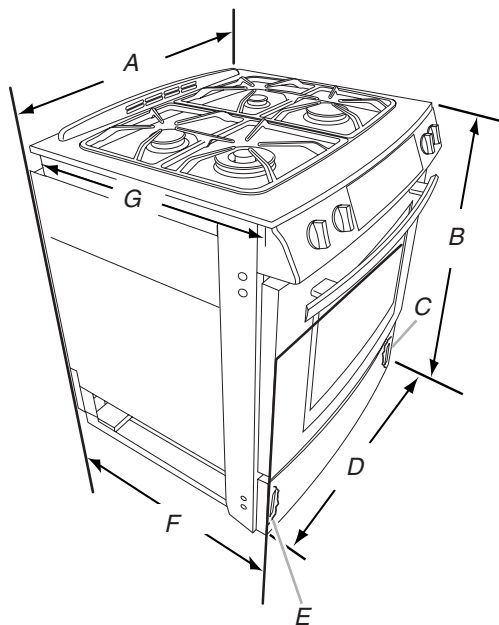
In Canada, the installation of this range must conform with the current standards CAN/CSA-A240-latest edition, or with local codes.

Mobile home installations require:

- When this range is installed in a mobile home, it must be secured to the floor during transit. Any method of securing the range is adequate as long as it conforms to the standards listed above.

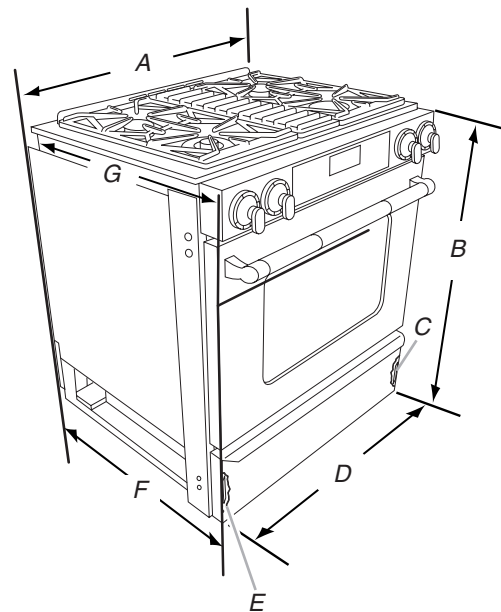
Product Dimensions

Models JGS8750 and JGS8850



- A. 30 $\frac{3}{4}$ " (78.1 cm)
- B. 35 $\frac{3}{4}$ " (90.8 cm) height to underside of cooktop edge with leveling legs screwed all the way in*
- C. Model/serial number plate (located behind the storage drawer on the right-hand side of the oven frame)
- D. 29 $\frac{7}{8}$ " (75.9 cm)
- E. Gas information plate (located behind the storage drawer on the left-hand side of the oven frame)
- F. 29" (73.7 cm) from handle to back of range**
- G. 23" (58.4 cm) countertop notch to rear of cooktop

Model JGS8860



- A. 30 $\frac{3}{8}$ " (78.4 cm)
- B. 35 $\frac{3}{4}$ " (90.8 cm) height to underside of cooktop edge with leveling legs screwed all the way in*
- C. Model/serial number plate (located behind the storage drawer on the right-hand side of the oven frame)
- D. 29 $\frac{7}{8}$ " (75.9 cm)
- E. Gas information plate (located behind the storage drawer on the left-hand side of the oven frame)
- F. 29" (73.7 cm) from handle to back of range**
- G. 27" (68.6 cm) from handle to rear of cooktop

*Range can be raised approximately 1" (2.5 cm) by adjusting the leveling legs.

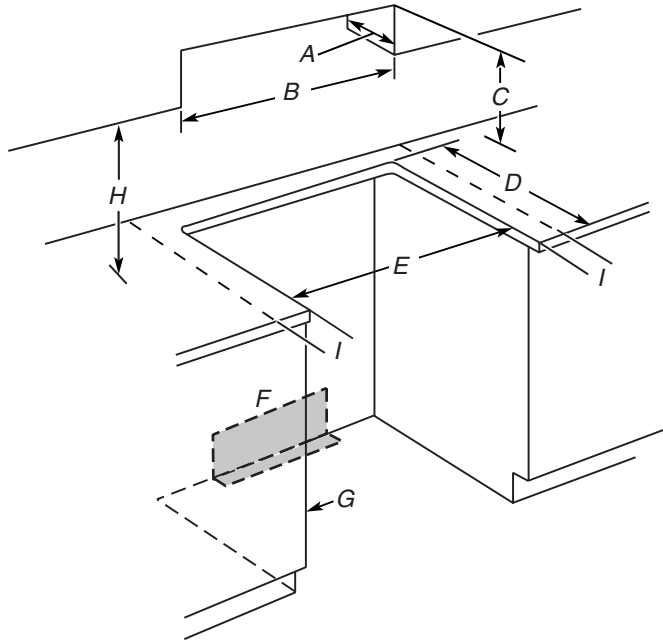
**When installed in a 24" (61.0 cm) base cabinet with 25" (63.5 cm) countertop; front of oven door protrudes 5" (12.7 cm) beyond 24" (61.0 cm) base cabinet.

Cabinet Dimensions

Cabinet opening dimensions shown are for 25" (64.0 cm) countertop depth, 24" (61.0 cm) base cabinet depth and 36" (91.4 cm) countertop height.

IMPORTANT: If installing a range hood or microwave hood combination above the range, follow the range hood or microwave hood combination installation instructions for dimensional clearances above the cooktop surface.

Range may be installed with zero clearance to combustible construction at the rear and on the sides below the cooktop.



- A. 13" (33.0 cm) upper cabinet depth
- B. 30" (76.2 cm) min. opening width
- C. For minimum clearance to the top of the cooktop, see NOTE.
- D. 23¼" (59.1 cm) opening depth
- E. 30" (76.2 cm) min. opening width
- F. Electrical and gas supply - 5½" (14.0 cm) min. from either cabinet, 10" (25.4 cm) max. from floor. Nothing located in shaded area can extend more than 2¼" (5.7 cm) from back wall or range will not slide all the way back. Grounded outlet must be flush mounted.
- G. Cabinet door or hinge should not extend into cutout.
- H. 18" (45.7 cm)
- I. 3" (7.6 cm) min. clearance from both sides of the range to the side wall or other combustible material.

NOTE: 24" (61.0 cm) minimum when bottom of wood or metal cabinet is shielded by not less than ¼" (0.64 cm) flame retardant millboard covered with not less than No. 28 MSG sheet steel, 0.015" (0.4 mm) stainless steel, 0.024" (0.6 mm) aluminum or 0.020" (0.5 mm) copper.

30" (76.2 cm) minimum clearance between the top of the cooking platform and the bottom of an uncovered wood or metal cabinet.

Electrical Requirements

⚠ WARNING



Electrical Shock Hazard

Plug into a grounded 3 prong outlet.

Do not remove ground prong.

Do not use an adapter.

Do not use an extension cord.

Failure to follow these instructions can result in death, fire, or electrical shock.

IMPORTANT: The range must be electrically grounded in accordance with local codes and ordinances, or in the absence of local codes, with the National Electrical Code, ANSI/NFPA 70 or Canadian Electrical Code, CSA C22.1.

If codes permit and a separate ground wire is used, it is recommended that a qualified electrical installer determine that the ground path is adequate.

A copy of the above code standards can be obtained from:

National Fire Protection Association
1 Batterymarch Park
Quincy, MA 02169-7471

CSA International
8501 East Pleasant Valley Road
Cleveland, OH 44131-5575

- A 120 volt, 60 Hz., AC only, 15-amp fused, electrical circuit is required. A time-delay fuse or circuit breaker is also recommended. It is recommended that a separate circuit serving only this range be provided.
- Electronic ignition systems operate within wide voltage limits, but proper grounding and polarity are necessary. Check that the outlet provides 120-volt power and is correctly grounded.
- The wiring diagram is located on the back of the storage drawer in a clear plastic bag.

Gas Supply Requirements

⚠ WARNING



Explosion Hazard

Use a new CSA International approved gas supply line.

Install a shut-off valve.

Securely tighten all gas connections.

If connected to LP, have a qualified person make sure gas pressure does not exceed 14" (36 cm) water column.

Examples of a qualified person include:

**licensed heating personnel,
authorized gas company personnel, and
authorized service personnel.**

Failure to do so can result in death, explosion, or fire.

Observe all governing codes and ordinances.

IMPORTANT: This installation must conform with all local codes and ordinances. In the absence of local codes, installation must conform with American National Standard, National Fuel Gas Code ANSI Z223.1 - latest edition or CAN/CGA B149 - latest edition.

IMPORTANT: Leak testing of the range must be conducted according to the manufacturer's instructions.

Type of Gas

Natural gas:

This range is design-certified by CSA International for use with Natural gas or, after proper conversion, for use with LP gas.

- This range is factory set for use with Natural gas. See "Gas Conversions" section. The gas information plate located behind the storage drawer on the left-hand side oven door frame has information on the types of gas that can be used. If the types of gas listed do not include the type of gas available, check with the local gas supplier.

LP gas conversion:

Conversion must be done by a qualified service technician.

No attempt shall be made to convert the appliance from the gas specified on the gas information plate for use with a different gas without consulting the serving gas supplier. See "Gas Conversions" section.

Gas Supply Line

- Provide a gas supply line of 3/4" (1.9 cm) rigid pipe to the range location. A smaller size pipe on longer runs may result in insufficient gas supply. With LP gas, piping or tubing size can be 1/2" (1.3 cm) minimum. Usually, LP gas suppliers determine the size and materials used in the system.

NOTE: Pipe-joint compounds that resist the action of LP gas must be used. Do not use TEFLON^{®†} tape.

Flexible metal appliance connector:

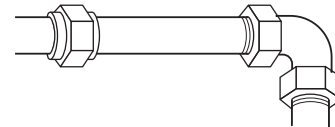
- If local codes permit, a new CSA design-certified, 4 to 5 ft (122 to 152.4 cm) long, 1/2" (1.3 cm) or 3/4" (1.9 cm) I.D., flexible metal appliance connector may be used for connecting range to the gas supply line.



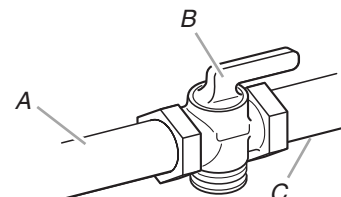
- A 1/2" (1.3 cm) male pipe thread is needed for connection to the female pipe threads of the inlet to the appliance pressure regulator.
- Do not kink or damage the flexible metal tubing when moving the range.

Rigid pipe connection:

The rigid pipe connection requires a combination of pipe fittings to obtain an in-line connection to the range. The rigid pipe must be level with the range connection. All strains must be removed from the supply and fuel lines so range will be level and in line.



- **Must include a shutoff valve:**
The supply line must be equipped with a manual shutoff valve. This valve should be located in the same room but external to the range opening, such as an adjacent cabinet. It should be in a location that allows ease of opening and closing. Do not block access to shutoff valve. The valve is for turning on or shutting off gas to the range.



A. Gas supply line
B. Shutoff valve "open" position
C. To range

Gas Pressure Regulator

The gas pressure regulator supplied with this range must be used. The inlet pressure to the regulator should be as follows for proper operation:

Natural gas:

Minimum pressure: 5" WCP

Maximum pressure: 14" WCP

LP gas:

Minimum pressure: 11" WCP

Maximum pressure: 14" WCP

Contact local gas supplier if you are not sure about the inlet pressure.

†TEFLON is a registered trademark of E.I. Du Pont De Nemours and Company.

Burner Input Requirements

Input ratings shown on the gas information plate are for elevations up to 2,000 ft (609.6 m).

For elevations above 2,000 ft (609.6 m), ratings are reduced at a rate of 4% for each 1,000 ft (304.8 m) above sea level (not applicable for Canada).

Gas Supply Pressure Testing

Gas supply pressure for testing regulator must be at least 1" water column pressure above the manifold pressure shown on the gas information plate.

Line pressure testing above ½ psi gauge (14" WCP)

The range and its individual shutoff valve must be disconnected from the gas supply piping system during any pressure testing of that system at test pressures in excess of ½ psi (3.5 kPa).

Line pressure testing at ½ psi gauge (14" WCP) or lower

The range must be isolated from the gas supply piping system by closing its individual manual shutoff valve during any pressure testing of the gas supply piping system at test pressures equal to or less than ½ psi (3.5 kPa).

Countertop Preparation

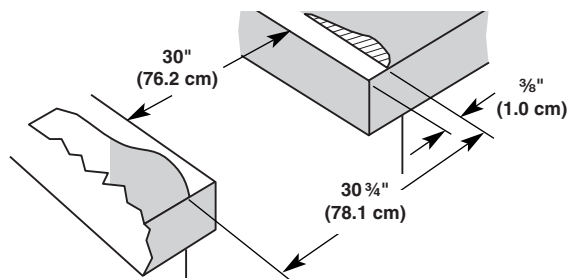
(for Slide-in Ranges Only)

The cooktop sides of the slide-in range fit over the cutout edge of your countertop.

If you have a square finish (flat) countertop and the opening width is 30" (76.2 cm), no countertop preparation is required.

Formed front-edged countertops must have molded edge shaved flat ⅜" (1.0 cm) from each front corner of opening.

Tile countertops may need trim cut back ⅜" (1.0 cm) from each front corner and/or rounded edge flattened.



If countertop opening width is greater than 30" (76.2 cm), adjust the ⅜" (1.0 cm) dimension.

Countertop must be level. Place level on countertop, first side to side, then front to back. If countertop is not level, range will not be level. Range must be level for satisfactory baking conditions.

INSTALLATION INSTRUCTIONS

Unpack Range

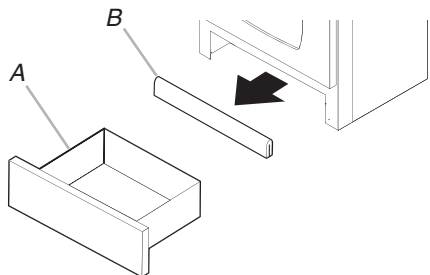
! WARNING

Excessive Weight Hazard

Use two or more people to move and install range.

Failure to do so can result in back or other injury.

1. Remove shipping materials, tape and film from the range. Keep cardboard bottom under range.
2. Remove oven racks and parts package from inside oven.
3. **For models with a storage drawer only:**
Pull storage drawer out completely. Remove and discard cardboard cross support.



A. Storage drawer

B. Cardboard cross support

4. To remove cardboard bottom, place range on its back, take 4 cardboard corners from the carton. Stack one cardboard corner on top of another. Repeat with the other 2 corners. Place them lengthwise on the floor behind the range to support the range when it is laid on its back.
5. Using 2 or more people, firmly grasp the range and gently lay it on its back on the cardboard corners.
6. Pull cardboard bottom firmly to remove.
7. Use an adjustable wrench to loosen the leveling legs.
8. Place cardboard or hardboard in front of range. Using 2 or more people, stand range back up onto cardboard or hardboard.

Adjust Leveling Legs

1. If range height adjustment is necessary, use a wrench or pliers to loosen the 4 leveling legs.

This may be done with the range on its back or with the range supported on 2 legs after the range has been placed back to a standing position.

NOTE: To place range back up into a standing position, put a sheet of cardboard or hardboard in front of range. Using 2 or more people, stand range back up onto the cardboard or hardboard.

! WARNING



Tip Over Hazard

A child or adult can tip the range and be killed.

Install anti-tip bracket to floor or wall per installation instructions.

Slide range back so rear range foot is engaged in the slot of the anti-tip bracket.

Re-engage anti-tip bracket if range is moved.

Do not operate range without anti-tip bracket installed and engaged.

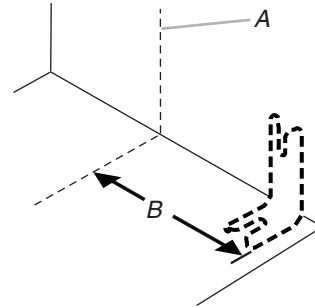
Failure to follow these instructions can result in death or serious burns to children and adults.

2. Adjust the leveling legs to the correct height. Leveling legs can be loosened to add up to a maximum of 1" (2.5 cm). A minimum of 3/16" (5 mm) is needed to engage the anti-tip bracket.

NOTE: If height adjustment is made when range is standing, tilt the range back to adjust the front legs, then tilt forward to adjust the rear legs.
3. When the range is at the correct height, check that there is adequate clearance under the range for the anti-tip bracket. Before sliding range into its final location, check that the anti-tip bracket will slide under the range and onto the rear leveling leg prior to anti-tip bracket installation.

Install Anti-Tip Bracket

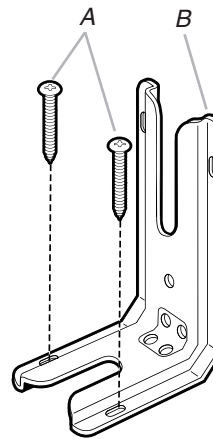
1. Remove the anti-tip bracket that is taped to the package containing literature.
2. Determine which mounting method to use: floor or wall. If you have a stone or masonry floor, you can use the wall mounting method.
3. Determine and mark centerline of the cutout space. The mounting bracket can be installed on either the left side or right side of the cutout. Position mounting bracket in cutout so that right (or left) edge of the bracket is 14 1/4" (36.2 cm) from centerline, as shown.



A. Centerline
B. 14 1/4" (36.2 cm)

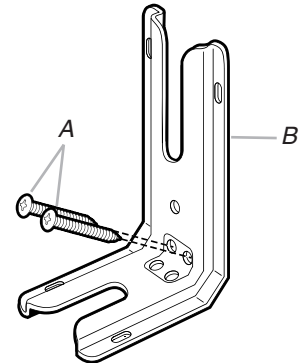
4. Drill two 1/8" (3.0 mm) holes that correspond to the bracket holes of the determined mounting method. See the following illustrations.

Floor Mounting



A. #12 x 1 5/8" screws
B. Anti-tip bracket

Wall Mounting



A. #12 x 1 5/8" screws
B. Anti-tip bracket

5. Using the Phillips screwdriver, mount anti-tip bracket to the wall or floor with the two #12 x 1 5/8" screws provided.

Make Gas Connection

⚠ WARNING



Explosion Hazard

Use a new CSA International approved gas supply line.

Install a shut-off valve.

Securely tighten all gas connections.

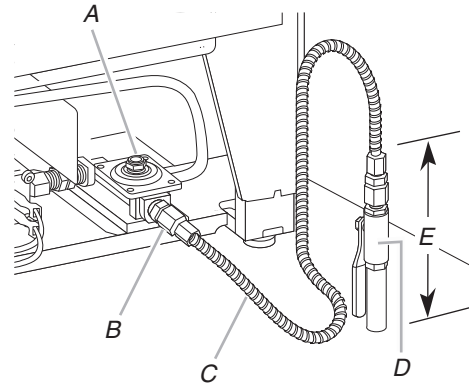
If connected to LP, have a qualified person make sure gas pressure does not exceed 14" (36 cm) water column.

Examples of a qualified person include:

licensed heating personnel,
authorized gas company personnel, and
authorized service personnel.

Failure to do so can result in death, explosion, or fire.

- Gas supply pipe must not be more than 10" (25.4 cm) above the floor.

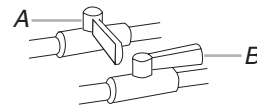


A. Gas pressure regulator
B. Adapter
C. Flexible connector

D. Manual shutoff valve
E. 10" (25.4 cm) max.
straight pipe

Complete Connection

- Open the manual shutoff valve in the gas supply line. The valve is open when the handle is parallel to the gas pipe.

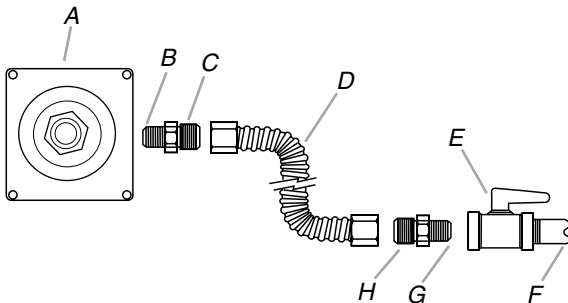


A. Closed valve
B. Open valve

- Test all connections by brushing on an approved noncorrosive leak-detection solution. If bubbles appear, a leak is indicated. Correct any leak found.
- Remove cooktop burner caps and grates from package containing parts. Align recess in burner caps with pins in burner base. Burner caps should be level when properly positioned. If burner caps are not properly positioned, surface burners will not light. Place burner grates over burners and caps.

Typical flexible connection

- Apply pipe-joint compound made for use with LP gas to the smaller thread ends of the flexible connector adapters (see B and G in the following illustration).
- Attach one adapter to the gas pressure regulator and the other adapter to the gas shutoff valve. Tighten both adapters.
- Use a $1\frac{5}{16}$ " combination wrench and an adjustable wrench to attach the flexible connector to the adapters. Check that connector is not kinked.



A. Gas pressure regulator
B. Use pipe-joint compound.
C. Adapter (must have 1/2" male
pipe thread)
D. Flexible connector

E. Manual gas shutoff valve
F. 1/2" or 3/4" gas pipe
G. Use pipe-joint compound.
H. Adapter

⚠ WARNING



Electrical Shock Hazard

Plug into a grounded 3 prong outlet.

Do not remove ground prong.

Do not use an adapter.

Do not use an extension cord.

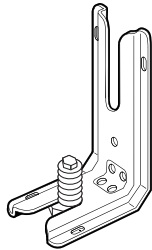
Failure to follow these instructions can result in death,
fire, or electrical shock.

- Plug into a grounded 3 prong outlet.

Verify Anti-Tip Bracket Is Installed and Engaged

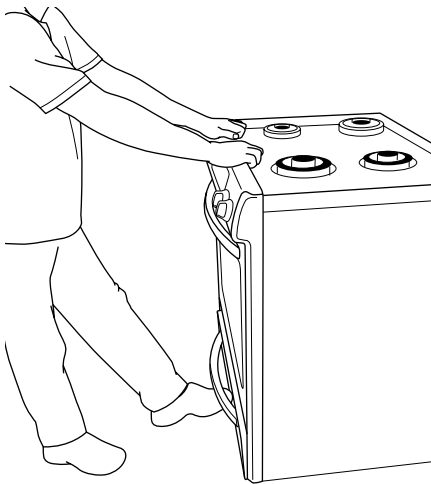
On models with a storage drawer:

1. Remove the storage drawer.
2. Use a flashlight to look underneath the bottom of the range.
3. Visually check that the rear range foot is inserted into the slot of the anti-tip bracket.



On models with a warming drawer:

1. Place the outside of your foot against the bottom front of the warming drawer to keep the range from moving, and grasp the control panel with two hands as shown.



2. Slowly attempt to tilt the range forward.
If you encounter immediate resistance, the range foot is engaged in the anti-tip bracket.
3. If the rear of the range lifts more than ½" (1.3 cm) off the floor without resistance, stop tilting the range and lower it gently back to the floor. The range foot is not engaged in the anti-tip bracket.

IMPORTANT: If there is a snapping or popping sound when lifting the range, the range may not be fully engaged in the bracket. Check to see if there are obstructions keeping the range from sliding to the wall or keeping the range foot from sliding into the bracket. Verify that the bracket is held securely in place by the mounting screws.

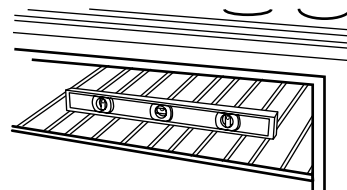
4. Slide the range forward, and verify that the anti-tip bracket is securely attached to the floor or wall.
5. Slide range back so the rear range foot is inserted into the slot of the anti-tip bracket.

IMPORTANT: If the back of the range is more than 2" (5.1 cm) from the mounting wall, the rear range foot may not engage the bracket. Slide the range forward and determine if there is an obstruction between the range and the mounting wall. If you need assistance or service, refer to the "Assistance or Service" section of the Use and Care Guide, or the cover or "Warranty" section of the User Instructions, for contact information.

6. Repeat steps 1 and 2 to ensure that the range foot is engaged in the anti-tip bracket.
If the rear of the range lifts more than ½" (1.3 cm) off the floor without resistance, the anti-tip bracket may not be installed correctly. Do not operate the range without anti-tip bracket installed and engaged. Please reference the "Assistance or Service" section of the Use and Care Guide, or the cover or "Warranty" section of the User Instructions, to contact service.

Level Range

1. Place rack in oven.
2. Place level on rack and check levelness of range, first side to side; then front to back.



3. If range is not level, pull range forward until rear leveling leg is removed from the anti-tip bracket.
4. Use wrench to adjust leveling legs up or down until range is level. Push range back into position.
5. Check that rear leveling leg is engaged in anti-tip bracket.

NOTE: Range must be level for satisfactory baking performance.

Electronic Ignition System

Initial lighting and gas flame adjustments

Cooktop and oven burners use pilotless igniters in place of standing pilots. When the cooktop control knob is turned to the "LITE" position, the system creates a spark to light the burner. This sparking continues, as long as the control knob is turned to "LITE."

When the oven control is turned to the desired setting, a glow bar igniter heats and ignites the gas.

Check Operation of Cooktop Burners

Standard Surface Burners

Push in and turn each control knob to the "LITE" position.

The flame should light within 4 seconds. The first time a burner is lit, it may take longer than 4 seconds to light because of air in the gas line.

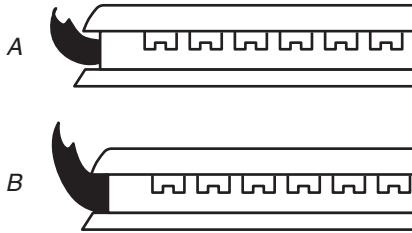
If burners do not light properly:

- Turn cooktop control knob to the "OFF" position.
- Check that the range is plugged in and the circuit breaker has not tripped or the household fuse has not blown.
- Check that the gas shutoff valves are set to the "open" position.
- Check that burner caps are properly positioned on burner bases.

Repeat start-up. If a burner does not light at this point, turn the control knobs to "Off" and contact your dealer or authorized service company for assistance.

Adjust Flame Height

Adjust the height of top burner flames. The cooktop “low” burner flame should be a steady blue flame approximately ¼" (0.64 cm) high.



A. Low flame
B. High flame

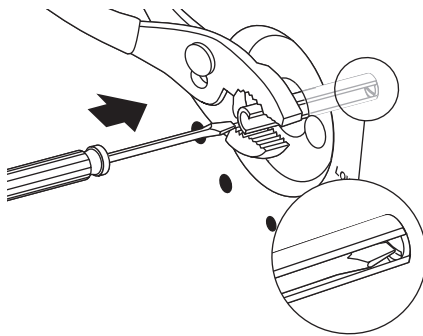
To adjust standard burners:

The flame can be adjusted using the adjustment screw in the center of the valve stem. The valve stem is located underneath the control knob.

If the “low” flame needs to be adjusted:

1. Light 1 burner and turn to lowest setting.
2. Remove the control knob.

Hold the knob stem in the low position using a pair of pliers. Use an ⅛" (3.0 mm) flat-blade screwdriver to turn the screw located in the center of the control knob stem until the flame is the proper size.

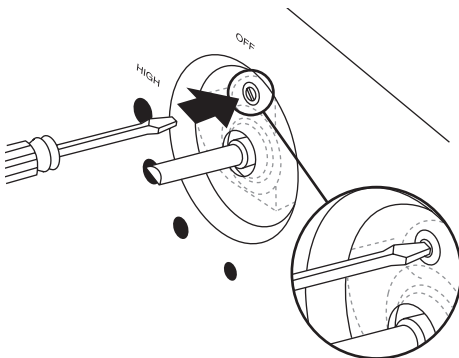


3. Replace the control knob.
4. Test the flame by turning the control from “LO” to “HI,” checking the flame at each setting.
5. Repeat above steps for each burner.

To adjust double burner:

1. Light burner and turn to lowest setting where both inner and outer burners are lit.
2. Remove the control knob.

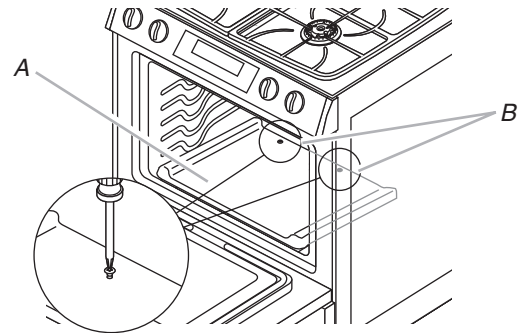
Insert an ⅛" (3.0 mm) flat-blade screwdriver into adjustment locations shown in the following illustration and engage the slotted screw. Turn the screw until the flame is the proper size.



3. Replace the control knob.
4. Test the flame by turning the control from “LO” to “HI,” checking the flame at each setting.

Check Operation of Oven Bake Burner

1. Remove the oven rack.
2. Using a Phillips screwdriver, remove the 2 bake burner cover screws.
3. Lift up on rear of bake burner cover and remove.
4. Place bake burner cover on a covered surface.



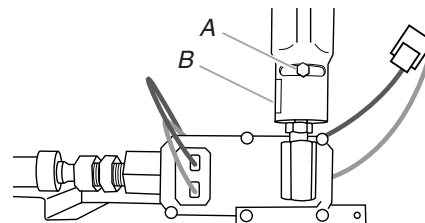
A. Bake burner cover
B. Bake burner cover screws

5. Press BAKE. “BAKE” and temperatures will show in the display.
6. Press either Quickset pad or the control panel next to the temperature on the display.

The igniter used to light the bake burner will glow. Once the igniter is hot, the oven bake burner should light. Under certain conditions, it may take up to 60 seconds for it to light.

Adjust Oven Bake Burner Flame (if needed)

1. Remove storage drawer or warming drawer.
2. Remove access panel (2 screws) located on the rear wall, inside the storage drawer compartment.
3. Check the oven bake burner for proper flame.
This flame should have a ½" (1.3 cm) long inner cone of bluish-green, with an outer mantle of dark blue, and should be clean and soft in character. No yellow tips, blowing or lifting of flame should occur.
4. If the oven bake flame needs to be adjusted, locate the air shutter near the center rear of the range. Use a flat-blade screwdriver to loosen the air shutter adjustment screw. Rotate the air shutter until the proper flame appears. Tighten air shutter adjustment screw.



A. Air shutter adjustment screw
B. Air shutter

5. Press CANCEL when finished.
6. Reinstall access panel and oven bake burner cover.

Check Operation of Oven Broil Burner

1. Close the oven door to the broil stop position.
2. Press the BROIL pad. "BROIL" and "HI" and "LOW" will show in the display.
3. Press the Quickset pad next to LO to start.

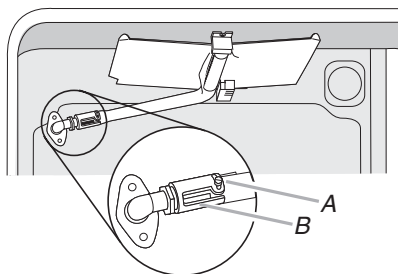
The igniter used to light the broil burner will glow. Once the igniter is hot, the oven broil burner should light. Under certain conditions, it may take up to 60 seconds for it to light.

Adjust Oven Broil Burner Flame (if needed)

Look through oven window to check oven broil burner for proper flame. This flame should have a ½" (1.3 cm) long inner cone of bluish-green, with an outer mantle of dark blue, and should be clean and soft in character. No yellow tips, blowing or lifting of flame should occur

If flame needs to be adjusted:

1. Use a flat-blade screwdriver to loosen the air shutter adjustment screw on the air shutter located at the rear of the oven broil burner.
2. Adjust the air shutter as need.
3. Tighten air shutter adjustment screw.



A. Air shutter adjustment screw
B. Air shutter

4. Press CANCEL when finished.

Complete Installation

1. Check that all parts are now installed. If there is an extra part, go back through the steps to see which step was skipped.
2. Check that you have all of your tools.
3. Dispose of/recycle all packaging materials.
4. Check that the range is level. See the "Level Range" section.
5. Use a mild solution of liquid household cleaner and warm water to remove waxy residue caused by shipping material. Dry thoroughly with a soft cloth. For more information, see the "Range Care" section of the Use and Care Guide or User Instructions.
6. Read the Use and Care Guide or User Instructions.
7. Turn on surface burners and oven. See the Use and Care Guide or User Instructions for specific instruction on range operation.

If range does not operate, check the following:

- Household fuse is intact and tight, or circuit breaker has not tripped.
 - Range is plugged into a grounded 3 prong outlet.
 - Electrical supply is connected.
 - See "Troubleshooting" in the Use and Care Guide or User Instructions.
8. When the range has been on for 5 minutes, check for heat. If the range is cold, turn off the range and check that the gas supply line shutoff valve is open.
 - If the gas supply line shutoff valve is closed, open it, then repeat the 5-minute test as outlined above.
 - If the gas supply line shutoff valve is open, press the CANCEL button on the oven control panel and contact a qualified technician.

If you need Assistance or Service:

Please reference the "Assistance or Service" section of the Use and Care Guide or the cover of the User Instructions, or contact the dealer from whom you purchased your range.

Replace Oven Racks and Storage Drawer or Warming Drawer

Replace oven racks in oven cavity. Replace storage drawer or warming drawer.

To Replace Storage Drawer or Warming Drawer:

1. Fit the ends of the drawer glides into the rails in the range.
2. Lift up the front of the drawer and gently push in to the first stop position.
3. Lift drawer up again and push until drawer is closed.

GAS CONVERSIONS

Gas conversions from Natural gas to LP gas or from LP gas to Natural gas must be done by a qualified installer.

⚠ WARNING



Explosion Hazard

Use a new CSA International approved gas supply line.

Install a shut-off valve.

Securely tighten all gas connections.

If connected to LP, have a qualified person make sure gas pressure does not exceed 14" (36 cm) water column.

Examples of a qualified person include:

licensed heating personnel,
authorized gas company personnel, and
authorized service personnel.

Failure to do so can result in death, explosion, or fire.

LP Gas Conversion

⚠ WARNING



Tip Over Hazard

A child or adult can tip the range and be killed.

Install anti-tip bracket to floor or wall per installation instructions.

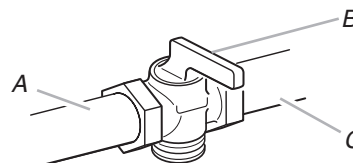
Slide range back so rear range foot is engaged in the slot of the anti-tip bracket.

Re-engage anti-tip bracket if range is moved.

Do not operate range without anti-tip bracket installed and engaged.

Failure to follow these instructions can result in death or serious burns to children and adults.

1. Turn manual shutoff valve to the closed position.

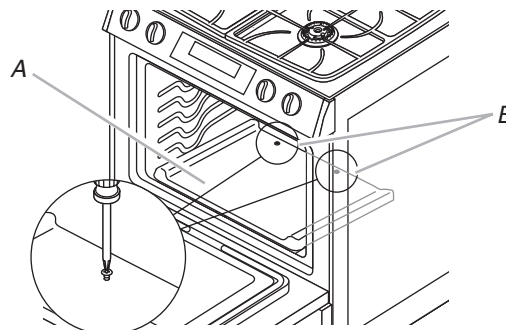


- A. To range
B. Shutoff valve (closed position)
C. Gas supply line

2. Unplug range or disconnect power.

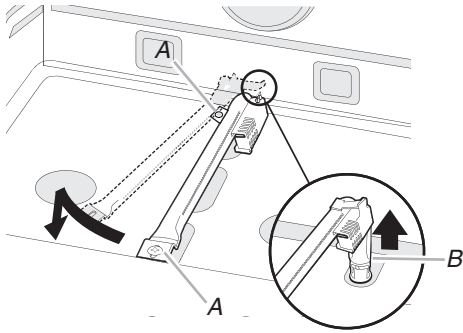
To Convert Gas Pressure Regulator

1. Remove oven racks from inside the oven cavity.
2. Remove the storage drawer. See "Replace Oven Racks and Storage Drawer or Warming Drawer" section.
3. Remove the oven door. See "Oven Door" section in the Use and Care Guide for oven door removal instructions.
4. Using a Phillips screwdriver, remove and set aside the 2 oven bake burner cover screws located at the rear of the oven.



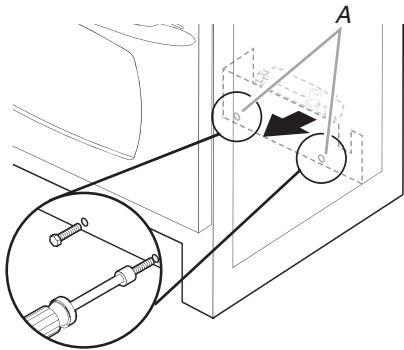
- A. Oven bake burner cover
B. Oven bake burner cover screws

5. Lift up and remove oven bake burner cover.
6. Remove the 2 oven bake burner screws and set aside.
7. Swing the oven bake burner to the side and lift it off the oven orifice and set aside.



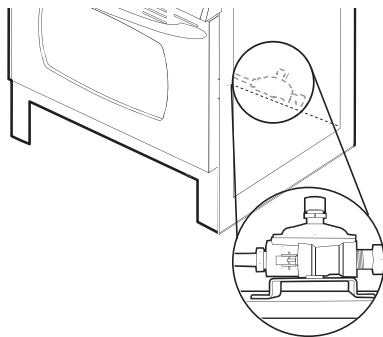
A. Oven bake burner screws
B. Oven orifice

8. Locate the access panel at the rear of the storage drawer compartment. Using a ¼" (6 mm) nut driver, unscrew the 2 access panel screws. Remove access panel and set aside along with the 2 screws.



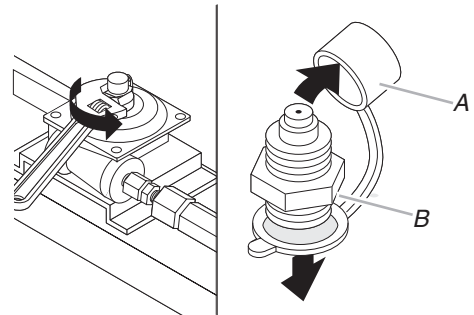
A. Access panel screws

9. Locate gas pressure regulator at the rear of the storage drawer compartment.



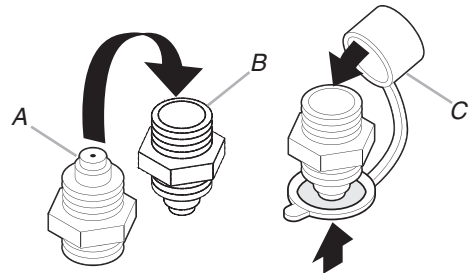
IMPORTANT: Do not remove the gas pressure regulator.

10. Unscrew the regulator cap and remove the plastic cover.



A. Plastic cover
B. Regulator cap

11. Flip the regulator cap over and replace the plastic cover.

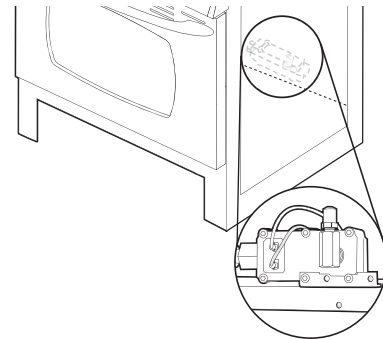


A. Natural gas position
B. LP gas position
C. Plastic cover

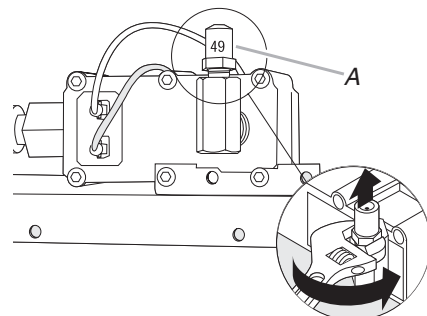
12. Screw the regulator cap securely back into place. Do not overtighten.

To Convert Oven Bake Burner

1. Locate the oven orifice hood from the front of the range.

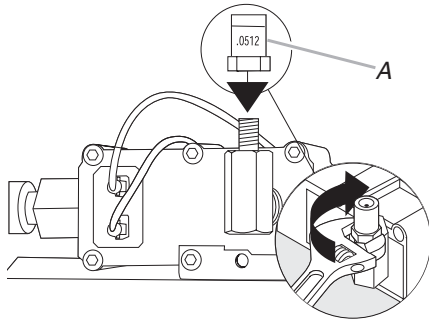


2. Using an adjustable wrench, turn the Number 49 Natural gas oven bake burner orifice hood counterclockwise to remove.



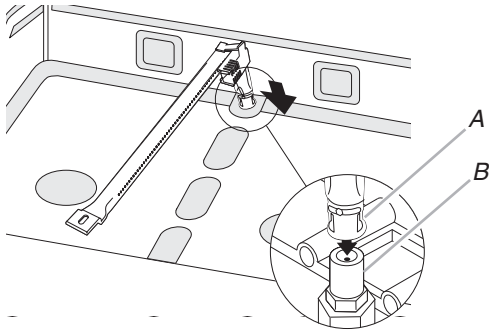
A. Number 49 Natural gas oven bake burner orifice hood

3. Install the Number .0512 LP gas oven bake burner orifice hood, turning it clockwise 4 or 5 turns. Do not overtighten.



A. Black .0512 LP orifice hood

4. Position the oven bake burner over the oven bake burner orifice hood and reinstall using 2 screws.

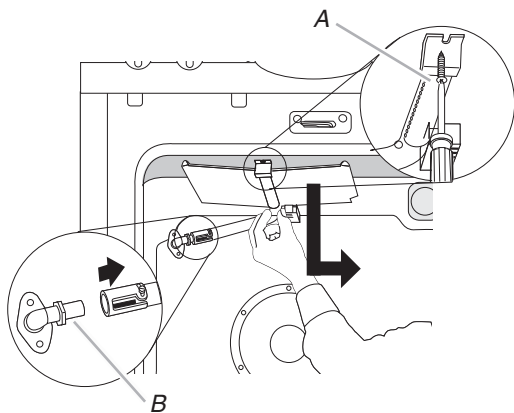


A. Oven bake burner
B. Oven bake burner orifice hood

5. Reinstall access panel and oven bake burner cover.

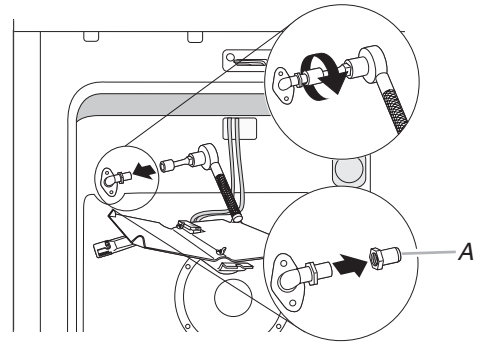
To Convert Oven Broil Burner

1. Remove oven broil burner screw and set aside.
2. Remove the oven broil burner from the oven broil burner orifice hood. The oven broil burner will hang in the back of the oven while changing the orifice hood.



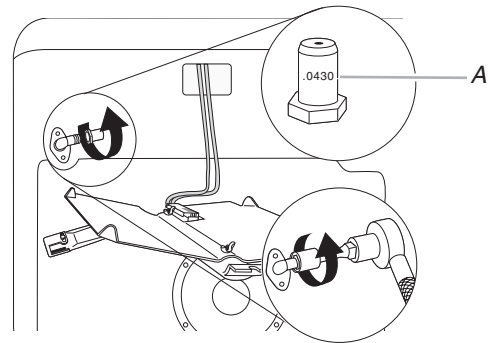
A. Oven broil burner screw
B. Oven broil burner orifice hood

3. Turn the Number 52 Natural gas oven broil burner orifice hood counterclockwise to remove.



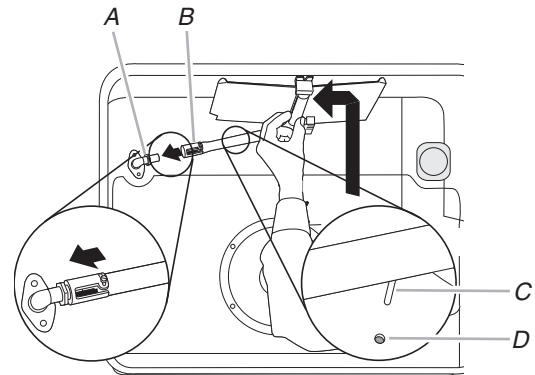
A. Number 52 Natural gas oven broil burner orifice hood

4. Install the green Number .0430 LP gas oven broil burner orifice hood, turning it clockwise 4 or 5 turns. Do not overtighten.



A. Number .0430 LP gas oven broil burner orifice hood

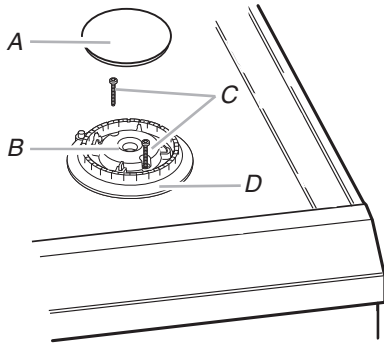
5. Place the oven broil burner on the oven broil burner orifice hood. Insert the oven broil burner locator pin in the hole in the oven back.
6. Position the oven broil burner against the roof of the oven cavity and attach with screw.



A. Oven broil burner orifice hood
B. Oven broil burner
C. Oven broil burner locator pin
D. Oven broil burner locator hole

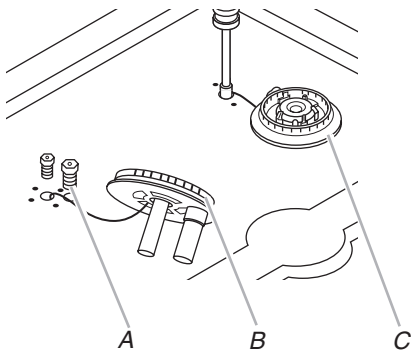
To Convert Surface Burners

1. If installed, remove the burner grates.
2. Remove the burner caps.
3. Using a Phillips screwdriver, remove the burner base.



A. Burner cap
B. Gas tube opening
C. Burner base screws
D. Burner base

4. Apply masking tape to the end of a $\frac{3}{32}$ " (7 mm) nut driver to help hold the Natural gas orifice spud in the nut driver while changing it. Press nut driver down onto the Natural gas orifice spud and remove by turning it counterclockwise and lifting out. Set Natural gas orifice spud aside.



A. Natural gas orifice spud
B. Dual burner
C. Single burner

Use the following chart for correct LP gas orifice spud for each burner. Refer to the gas information plate on the lower left side of the front frame for proper sizing of LP gas orifice spuds for each burner location.

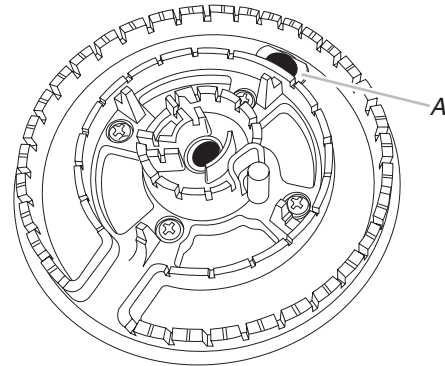
LP Gas Orifice Spud Chart for Models JGS8850 and JGS8860

Location	Burner Rating	Color	Number
Right Front	14,000 BTU	Red	114L
Right Rear	4,000 BTU	Blue	64L
Left Front	13,000 BTU	Center: White Outer: Orange	Center: 55L Outer: 97L
Left Rear	9,100 BTU	Clear	91L

LP Gas Orifice Spud Chart for Model JGS8750

Location	Burner Rating	Color	Number
Right Front	14,000 BTU	Red	114L
Right Rear	9,100 BTU	Clear	91L
Left Front	9,100 BTU	Clear	91L
Left Rear	4,000 BTU	Blue	64L

5. Replace the Natural gas orifice spud with the correct LP gas orifice spud. See the "LP Gas Orifice Spud Chart." On dual burners (on some models), replace the center and outer spuds.
6. Replace burner base and hand tighten the screws.
7. Place LP burner choke into outer hole of dual burner (on some models).



A. LP burner choke

8. Replace burner cap.
9. Repeat steps 1 through 8 for the remaining burners.
10. Place Natural gas orifice spuds in plastic parts bag for future use and keep with package containing literature.
11. Replace burner grates.
12. Reinstall storage drawer. See the "Replace Oven Racks and Storage Drawer or Warming Drawer" section for instructions.
13. Reinstall oven door. See the "Oven Door" section of the Use and Care Guide.
14. Complete installation. See "Make Gas Connection" and "Electronic Ignition System" sections.

Checking for proper cooktop burner flame is very important. The small inner cone should have a very distinct blue flame $\frac{1}{4}$ " to $\frac{1}{2}$ " long. The outer cone is not as distinct as the inner cone. LP gas flames have a slightly yellow tip.

IMPORTANT: You may have to adjust the "LO" setting for each cooktop burner.

Natural Gas Conversion

⚠️ WARNING



Tip Over Hazard

A child or adult can tip the range and be killed.

Install anti-tip bracket to floor or wall per installation instructions.

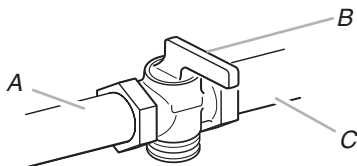
Slide range back so rear range foot is engaged in the slot of the anti-tip bracket.

Re-engage anti-tip bracket if range is moved.

Do not operate range without anti-tip bracket installed and engaged.

Failure to follow these instructions can result in death or serious burns to children and adults.

1. Turn manual shutoff valve to the closed position.

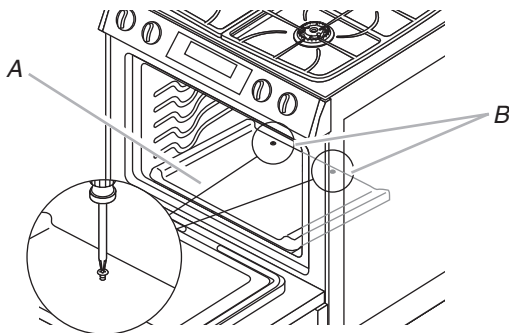


A. To range
B. Shutoff valve (closed position)
C. Gas supply line

2. Unplug range or disconnect power.

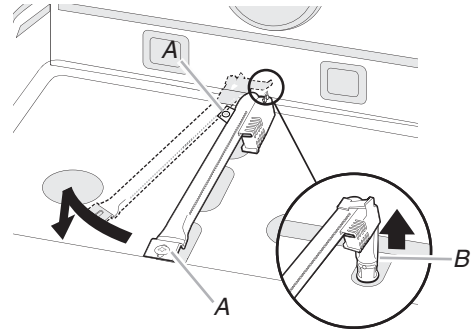
To Convert Gas Pressure Regulator

1. Remove oven racks from inside the oven cavity.
2. Remove the storage drawer. See "Replace Oven Racks and Storage Drawer or Warming Drawer" section.
3. Remove the oven door. See "Oven Door" section in the Use and Care Guide for oven door removal instructions.
4. Using a Phillips screwdriver, remove the 2 oven bake burner cover screws located at the rear of the oven.



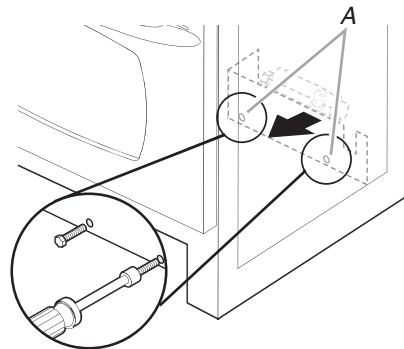
A. Oven bake burner cover
B. Oven bake burner cover screws

5. Lift up and remove oven bake burner cover.
6. Remove the 2 oven bake burner screws and set aside.
7. Swing the oven bake burner to the side and lift it off the oven orifice and set aside.



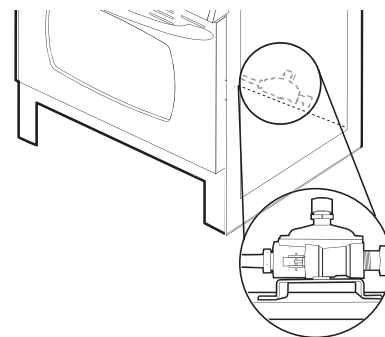
A. Oven bake burner screws
B. Oven orifice

8. Locate the access panel at the rear of the storage drawer compartment. Using a 1/4" (6 mm) nut driver, unscrew the 2 access panel screws. Remove access panel and set aside along with the 2 screws.



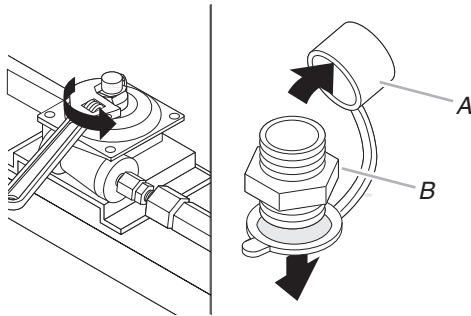
A. Access panel screws

9. Locate gas pressure regulator at the rear of the storage drawer compartment.



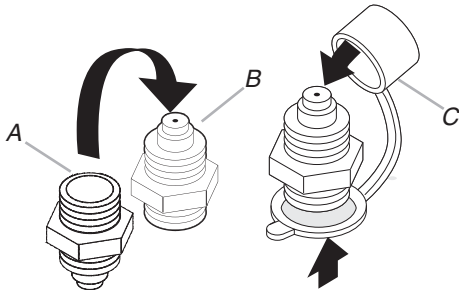
IMPORTANT: Do not remove the gas pressure regulator.

10. Unscrew the regulator cap and remove the plastic cover.



A. Plastic cover
B. Regulator cap

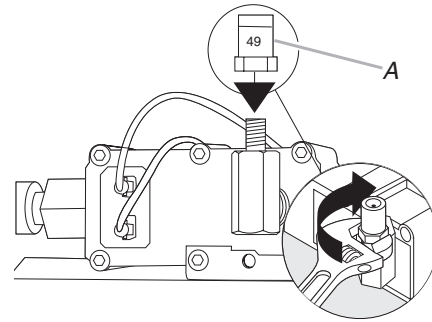
11. Flip the regulator cap over and replace the plastic cover.



A. LP gas position
B. Natural gas position
C. Plastic cover

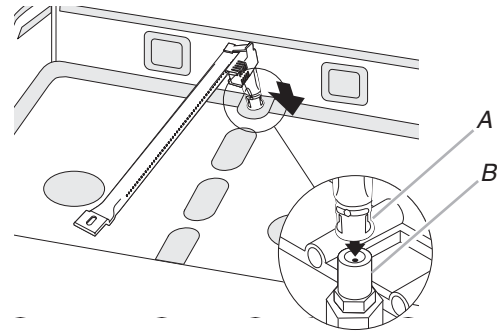
12. Screw the regulator cap securely back into place. Do not overtighten.

3. Install the Number 49 Natural gas oven bake burner orifice hood, turning it clockwise 4 or 5 turns. Do not overtighten.



A. Number 49 Natural gas oven bake burner orifice hood

4. Position the oven bake burner over the oven bake burner orifice hood and reinstall using 2 screws.

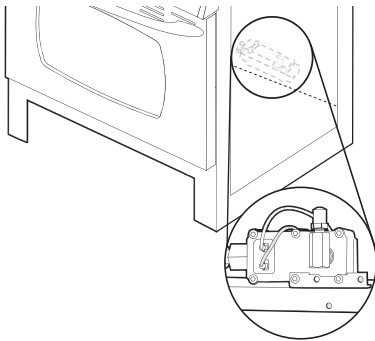


A. Oven bake burner
B. Oven bake burner orifice hood

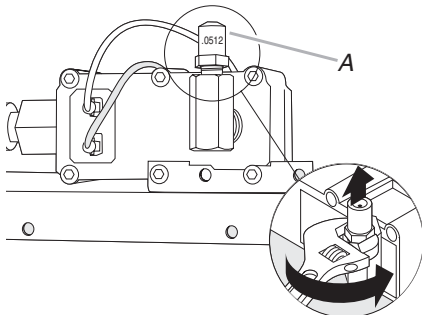
5. Reinstall access panel and oven bake burner cover.

To Convert Oven Bake Burner

1. Locate the oven orifice hood from the front of the range.



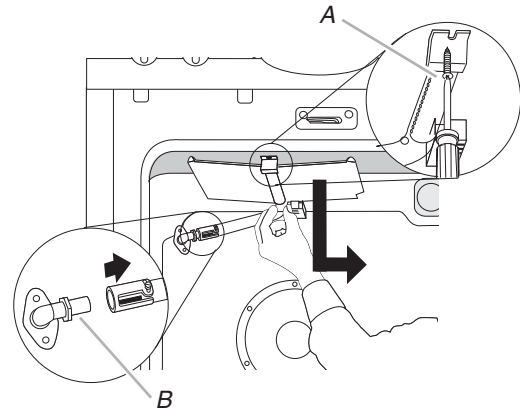
2. Using an adjustable wrench, turn the Number .0512 LP gas oven bake burner orifice hood counterclockwise to remove.



A. Number .0512 LP gas oven bake burner orifice hood

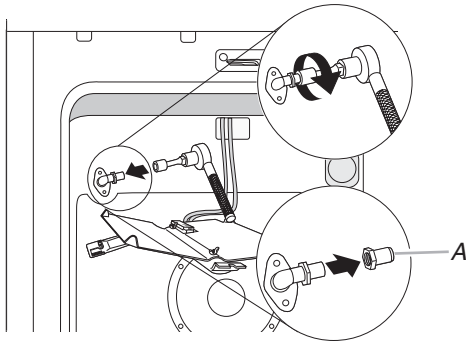
To Convert Oven Broil Burner

1. Remove oven broil burner screw and set aside.
2. Remove the oven broil burner from the oven broil burner orifice hood. The oven broil burner will hang in the back of the oven while changing the orifice hood.



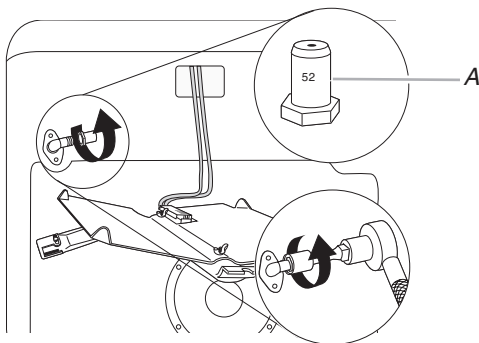
A. Oven broil burner screw
B. Oven broil burner orifice hood

- Turn the green Number .0430 LP gas oven broil burner orifice hood counterclockwise to remove.



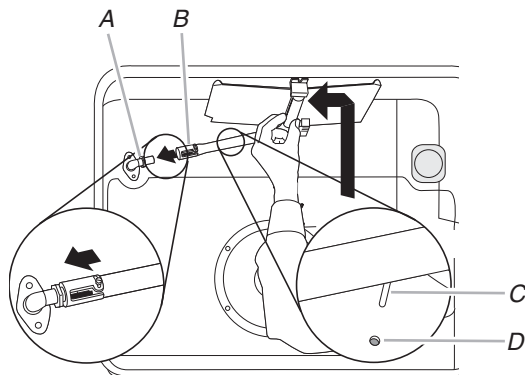
A. Number .0430 LP gas oven broil burner orifice hood

- Install the Number 52 Natural gas oven broil burner orifice hood, turning it clockwise 4 or 5 turns. Do not overtighten.



A. Number 52 Natural gas oven broil burner orifice hood

- Place the oven broil burner on the oven broil burner orifice hood. Insert the oven broil burner locator pin in the hole in the oven back.
- Position the oven broil burner against the roof of the oven cavity and attach with screw.

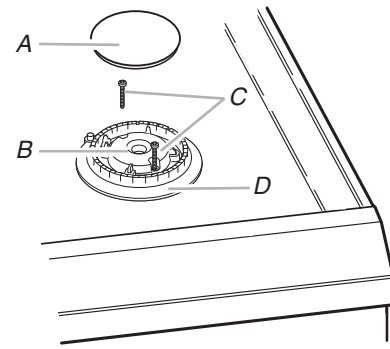


A. Oven broil burner orifice hood
B. Oven broil burner
C. Oven broil burner locator pin
D. Oven broil burner locator hole

To Convert Surface Burners

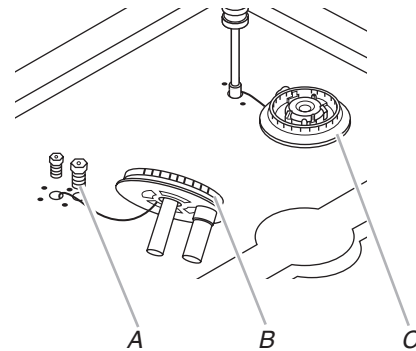
- If they are installed, remove the burner grates.
- Remove the burner caps.
- On models with a dual burner, remove the LP choke from the dual burner.

- Using a Phillips screwdriver, remove the burner base.



A. Burner cap
B. Gas tube opening
C. Burner base screws
D. Burner base

- Apply masking tape to the end of a 9/32" (7 mm) nut driver to help hold the LP gas orifice spud in the nut driver while changing it. Press nut driver down onto the LP gas orifice spud and remove by turning it counterclockwise and lifting out. Set the LP gas orifice spud aside.



A. Natural gas orifice spud
B. Dual burner
C. Single burner

Use the following chart for correct Natural gas orifice spud for each burner. Refer to the gas information plate on the lower left side of the front frame for proper sizing of Natural orifice spuds for each burner location.

Natural Gas Orifice Spud Chart for Models JGS8850 and JGS8860

Location	Burner Rating	Color	Number
Right Front	16,000 BTU	Clear	190N
Right Rear	5,000 BTU	Green	107N
Left Front	15,000 BTU	Center: Clear Outer: Clear	Center: 80N Outer: 165N
Left Rear	9,200 BTU	Clear	142N

Natural Gas Orifice Spud Chart for Model JGS8750

Location	Burner Rating	Color	Number
Right Front	16,000 BTU	Clear	190L
Right Rear	9,200 BTU	Clear	142L
Left Front	9,200 BTU	Clear	142L
Left Rear	5,000 BTU	Green	107L

- Replace the LP gas orifice spud with correct Natural gas orifice spud. See the "Natural Gas Orifice Spud Chart."
- Replace burner base and hand tighten the screws.

8. Replace burner cap.
9. Repeat steps 1 through 7 for the remaining burners.
10. Place LP gas orifice spuds (and LP choke on models with a dual burner) in plastic parts bag for future use and keep with package containing literature.
11. Replace burner grates.
12. Reinstall storage drawer. See the "Replace Oven Racks and Storage Drawer or Warming Drawer" section for instructions.
13. Reinstall oven door. See the "Oven Door" section of the Use and Care Guide.
14. Complete installation. See "Make Gas Connection" and "Electronic Ignition System" sections.
Checking for proper cooktop burner flame is very important. The small inner cone should have a very distinct blue flame ¼" to ½" long. The outer cone is not as distinct as the inner cone. Natural gas flames do not have yellow tips.
IMPORTANT: You may have to adjust the "LO" setting for each cooktop burner.

SÉCURITÉ DE LA CUISINIÈRE

Votre sécurité et celle des autres est très importante.

Nous donnons de nombreux messages de sécurité importants dans ce manuel et sur votre appareil ménager. Assurez-vous de toujours lire tous les messages de sécurité et de vous y conformer.



Voici le symbole d'alerte de sécurité.

Ce symbole d'alerte de sécurité vous signale les dangers potentiels de décès et de blessures graves à vous et à d'autres.

Tous les messages de sécurité suivront le symbole d'alerte de sécurité et le mot "DANGER" ou "AVERTISSEMENT". Ces mots signifient :

⚠ DANGER

Risque possible de décès ou de blessure grave si vous ne suivez pas immédiatement les instructions.

⚠ AVERTISSEMENT

Risque possible de décès ou de blessure grave si vous ne suivez pas les instructions.

Tous les messages de sécurité vous diront quel est le danger potentiel et vous disent comment réduire le risque de blessure et ce qui peut se produire en cas de non-respect des instructions.

AVERTISSEMENT : Si les renseignements dans ce manuel ne sont pas exactement observés, un incendie ou une explosion peut survenir, causant des dommages au produit, des blessures ou un décès.

- Ne pas entreposer ni utiliser de l'essence ou d'autres vapeurs ou liquides inflammables à proximité de cet appareil ou de tout autre appareil électroménager.
- QUE FAIRE DANS LE CAS D'UNE ODEUR DE GAZ :
 - Ne pas tenter d'allumer un appareil.
 - Ne pas toucher à un commutateur électrique.
 - Ne pas utiliser le téléphone se trouvant sur les lieux.
 - Appeler immédiatement le fournisseur de gaz à partir du téléphone d'un voisin. Suivre ses instructions.
 - À défaut de joindre votre fournisseur de gaz, appeler les pompiers.
- L'installation et l'entretien doivent être effectués par un installateur qualifié, une agence de service ou le fournisseur de gaz.

AVERTISSEMENT : L'odorat ne permet pas toujours la détection d'une fuite de gaz.

Les distributeurs de gaz recommandent l'emploi d'un détecteur de gaz (homologation UL ou CSA).

Pour d'autre information, contacter le fournisseur de gaz local.

En cas de détection d'une fuite de gaz, exécuter les instructions "Que faire dans le cas d'une odeur de gaz".

Dans l'État du Massachusetts, les instructions d'installation suivantes sont applicables :

- Les travaux d'installation et réparation doivent être exécutés par un plombier ou tuyauteur qualifié ou licencié, ou par le personnel qualifié d'une entreprise licenciée par l'État du Massachusetts.
- Si une vanne à boisseau sphérique est utilisée, elle doit comporter une manette "T".
- Si un conduit de raccordement flexible est utilisé, sa longueur ne doit pas dépasser 3 pi.

⚠ AVERTISSEMENT

Risque de basculement

Un enfant ou une personne adulte peut faire basculer la cuisinière, ce qui peut causer un décès.

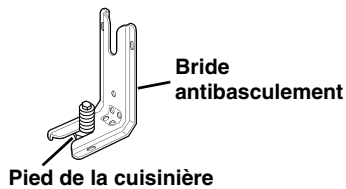
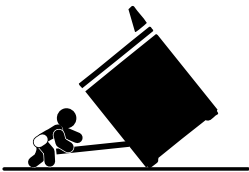
Fixer la bride antibasculement au plancher ou au mur, conformément aux instructions d'installation.

Faire glisser de nouveau la cuisinière de façon à ce que le pied arrière de la cuisinière se trouve dans la fente de la bride antibasculement.

Réengager la bride antibasculement si la cuisinière a été déplacée.

Ne pas faire fonctionner la cuisinière si la bride antibasculement n'est pas installée et engagée.

Le non-respect de ces instructions peut causer un décès ou des brûlures graves aux enfants et aux adultes.



Pour vérifier que la bride antibasculement est bien installée et engagée :

- **Faire glisser la cuisinière vers l'avant.**
- **Vérifier que la bride antibasculement est bien fixée au plancher ou au mur.**
- **Faire de nouveau glisser la cuisinière vers l'arrière de sorte que le pied de la cuisinière se trouve sous la bride antibasculement.**
- **Voir les instructions d'installation pour plus de détails.**

EXIGENCES D'INSTALLATION

Outillage et pièces

Rassembler les outils et pièces nécessaires avant de commencer l'installation. Lire et suivre les instructions fournies avec les outils indiqués ici.

Outillage nécessaire

- Mètre ruban
- Tournevis Phillips
- Tournevis à lame plate
- Tournevis à lame plate de 1/8"
- Niveau
- Perceuse manuelle ou électrique
- Clé ou pince
- Clé à tuyauterie
- Clé mixte de 15/16"
- Foret de 1/8" (3,2 mm) (pour planchers en bois)
- Marqueur ou crayon
- Composé d'étanchéité des raccords filetés - résistant au propane
- Foret à maçonnerie à pointe carburée de 3/16" (4,8 mm) (pour planchers en béton/céramique)
- Solution non corrosive de détection des fuites

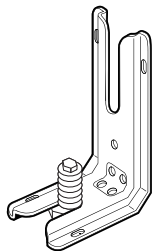
Pour les conversions de propane à gaz naturel

- Clé mixte de 1/2"
- Tourne-écrou de 1/4" (6 mm)
- Tourne-écrou de 9/32" (7 mm)
- Ruban adhésif de masquage

Pièces fournies

Vérifier que toutes les pièces sont présentes.

- Ensemble de conversion propane/gaz naturel (fixé par ruban adhésif sur le support du détendeur, derrière le panneau d'accès)
- 4 ou 5 chapeaux de brûleur (selon le modèle)
- 2 grilles de brûleur
- 2 ou 3 grilles de four (selon le modèle)
- 2 vis n° 12 x 1 5/8" (pour le montage de la bride antibasculement)
- Bride antibasculement (fixée par ruban adhésif au sachet de documentation dans la cavité du four)



La bride antibasculement doit être solidement fixée au mur arrière ou au sol. La profondeur du plancher peut nécessiter des vis plus longues pour l'ancrage de la bride dans le sous-plancher. Des vis plus longues sont disponibles auprès de votre quincaillerie locale.

Pièces nécessaires

Vérifier les codes locaux et consulter le fournisseur de gaz. Vérifier l'alimentation en gaz et l'alimentation électrique existantes. Voir les sections "Spécifications électriques" et "Spécifications de l'alimentation en gaz".

Exigences d'emplacement

IMPORTANT : Observer les dispositions de tous les codes et règlements en vigueur. Ne pas obstruer le flux de combustion et la ventilation.

- C'est à l'installateur qu'incombe la responsabilité de respecter les distances de séparation exigées, spécifiées sur la plaque d'informations sur le gaz de l'appareil. La plaque d'informations sur le gaz est située sur le côté gauche du châssis du four, derrière le tiroir de remisage.
- La cuisinière doit être installée à un endroit pratique dans la cuisine.
- Dans le cas d'une cuisinière encastrée, l'enceinte doit recouvrir complètement les côtés et l'arrière de la cuisinière.
- Afin de supprimer le risque de brûlures ou d'incendie en se penchant au-dessus des unités de surface chauffées, le rangement en placard au-dessus des unités de surface doit être évité. Si le rangement en placard est nécessaire, le risque peut être réduit par l'installation d'une hotte de cuisinière ou d'un ensemble hotte/micro-ondes opérant horizontalement sur un minimum de 5" (12,7 cm) au-delà du bas des placards.
- Toutes les ouvertures découpées dans le mur ou le plancher de l'emplacement d'installation de la cuisinière doivent être scellées.
- Respecter les dimensions indiquées pour les ouvertures à découper dans les placards. Ces dimensions constituent les valeurs minimales des dégagements de séparation.
- La bride antibasculement de plancher doit être installée. Pour l'installation de la bride antibasculement expédiée avec la cuisinière, voir la section "Installation de la bride antibasculement".
- Une source d'électricité avec liaison à la terre est nécessaire. Voir la section "Spécifications électriques".
- Une source de gaz adéquate doit être disponible. Voir la section "Spécifications de l'alimentation en gaz".
- Contacter un installateur de revêtement de sol qualifié, qui pourra déterminer si le revêtement de sol peut résister à une température d'au moins 200°F (93°C).
- Dans le cas de l'installation de la cuisinière par dessus un tapis, placer sous la cuisinière une plaque d'appui isolée, ou une plaque de contreplaqué de 1/4" (0,64 cm).

IMPORTANT : Pour éviter d'endommager les placards, consulter le constructeur de la maison ou le fabricant des placards pour déterminer si les matériaux utilisés peuvent subir un changement de couleur, une déstratification ou d'autres dommages. Ce four a été conçu conformément aux exigences des normes UL et CSA International et respecte les températures maximales permises de 194°F (90°C) pour les placards en bois.

Résidence mobile – Spécifications additionnelles à respecter lors de l'installation

L'installation de cette cuisinière doit être conforme aux dispositions de la norme Manufactured Home Construction and Safety Standard, Title 24 CFR, Part 3280 (anciennement Federal Standard for Mobile Home Construction and Safety, Title 24, HUD Part 280). Lorsque cette norme n'est pas applicable, l'installation doit satisfaire aux critères de la norme Standard for Manufactured Home Installations, ANSI A225.1/NFPA 501A ou aux dispositions des codes locaux.

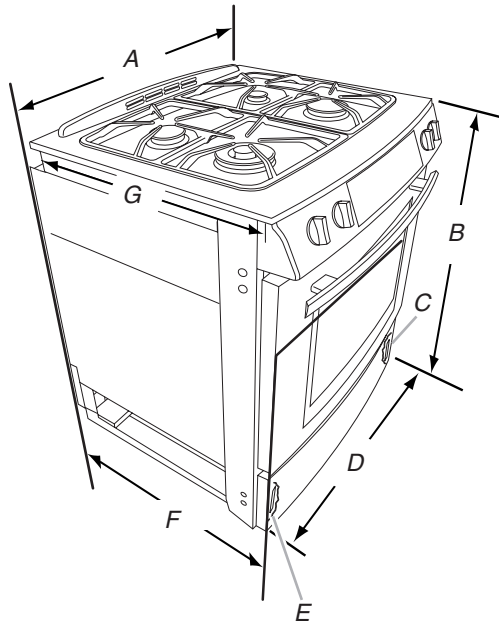
Au Canada, l'installation de cette cuisinière doit satisfaire aux stipulations de la version la plus récente de la norme CAN/CSA-A240 ou des codes locaux en vigueur.

Autres critères à respecter pour une installation en résidence mobile :

- Dans le cas de l'installation de cette cuisinière dans une résidence mobile, la cuisinière doit être fixée au plancher durant tout déplacement du véhicule. Toute méthode de fixation de la cuisinière est adéquate dans la mesure où elle satisfait aux critères des normes mentionnées ci-dessus.

Dimensions du produit

Modèles JGS8750 et JGS8850



A. 30 $\frac{3}{4}$ " (78,1 cm)

B. Hauteur jusqu'à la partie inférieure de la table de cuisson avec les pieds de nivellement complètement abaissés : 35 $\frac{3}{4}$ " (90,8 cm)*

C. Plaque signalétique (située sur le côté droit du châssis du four, derrière le tiroir de remisage)

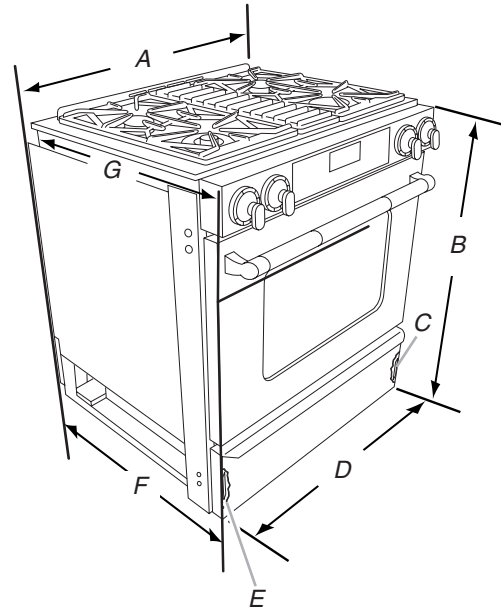
D. 29 $\frac{7}{8}$ " (75,9 cm)

E. Plaque d'informations sur le gaz (située sur le côté gauche du châssis du four, derrière le tiroir de remisage)

F. 29" (73,7 cm) de la poignée à l'arrière de la cuisinière**

G. Du coin du plan de travail à l'arrière de la table de cuisson : 23" (58,4 cm)

Modèle JGS8860



A. 30 $\frac{7}{8}$ " (78,4 cm)

B. Hauteur jusqu'à la partie inférieure de la table de cuisson avec les pieds de nivellement complètement abaissés : 35 $\frac{3}{4}$ " (90,8 cm)*

C. Plaque signalétique (située sur le côté droit du châssis du four, derrière le tiroir de remisage)

D. 29 $\frac{7}{8}$ " (75,9 cm)

E. Plaque d'informations sur le gaz (située sur le côté gauche du châssis du four, derrière le tiroir de remisage)

F. 29" (73,7 cm) de la poignée à l'arrière de la cuisinière**

G. Du coin du plan de travail à l'arrière de la table de cuisson : 27" (68,6 cm)

*La cuisinière peut être surélevée d'environ 1" (2,5 cm) en ajustant les pieds de nivellement.

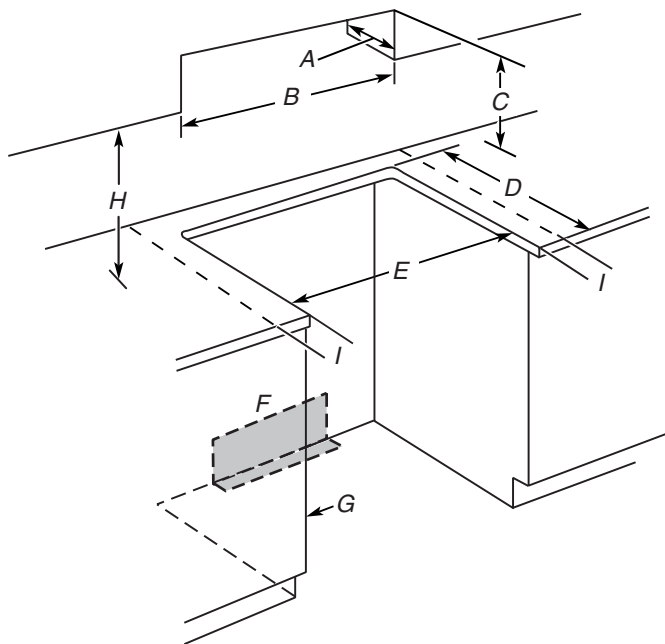
**Dans le cas d'une installation dans un placard inférieur de 24" (61,0 cm) avec plan de travail de 25" (63,5 cm), l'avant de la porte du four sera en saillie de 5" (12,7 cm) au-delà du placard inférieur de 24" (61,0 cm).

Dimensions du placard

Les dimensions de l'espace d'installation entre les placards sont valides pour l'installation entre des placards d'une profondeur de 24" (61,0 cm) avec un plan de travail d'une profondeur de 25" (64,0 cm) situé à une hauteur de 36" (91,4 cm).

IMPORTANT : En cas d'installation d'une hotte ou d'un ensemble hotte/micro-ondes au-dessus de la cuisinière, suivre les instructions fournies avec la hotte ou l'ensemble hotte/micro-ondes concernant les dimensions de dégagement à respecter au-dessus de la surface de la table de cuisson.

Sous le plan de travail, l'arrière et les côtés de la cuisinière peuvent être collés à une construction combustible sans qu'il soit nécessaire d'ajouter un espace entre l'appareil et la construction.



- A. Profondeur des placards supérieurs : 13" (33,0 cm)
- B. Largeur de l'ouverture : 30" (76,2 cm) min.
- C. Pour la distance minimale vers la partie supérieure de la table de cuisson, voir la REMARQUE.
- D. Profondeur d'ouverture : 23 1/4" (59,1 cm)
- E. Largeur de l'ouverture : 30" (76,2 cm) min.
- F. Points d'arrivée pour câble électrique et canalisation de gaz - séparation de 5 1/2" (14,0 cm) min. à partir de l'un des placards et 10" (25,4 cm) max. au-dessus du sol. Aucun élément situé dans la zone marquée en gris ne doit dépasser de plus de 2 1/4" (5,7 cm) du mur arrière; sinon, il n'est pas possible de pousser complètement la cuisinière dans l'espace d'installation. La prise de courant (avec liaison à la terre) doit être montée en affleurement.
- G. La porte ou charnière du placard ne doit pas dépasser à l'intérieur de l'ouverture.
- H. 18" (45,7 cm)
- I. Dégagement de 3" (7,6 cm) min. entre les deux côtés de la cuisinière et les parois latérales ou d'autres matériaux combustibles.

REMARQUE : Distance de séparation de 24" (61,0 cm) ou plus lorsque le fond d'un placard de bois ou de métal est protégé par une planche ignifugée d'au moins 1/4" (0,64 cm) recouverte d'une feuille métallique d'épaisseur égale ou supérieure à : acier calibre 28 MSG, acier inoxydable 0,015" (0,4 mm), aluminium 0,024" (0,6 mm), ou cuivre 0,020" (0,5 mm).

Distance de séparation de 30" (76,2 cm) ou plus entre le dessus de la table de cuisson et le fond d'un placard de bois ou de métal non protégé.

Spécifications électriques

⚠ AVERTISSEMENT



Risque de choc électrique

Brancher sur une prise à 3 alvéoles reliée à la terre.

Ne pas enlever la broche de liaison à la terre.

Ne pas utiliser un adaptateur.

Ne pas utiliser un câble de rallonge.

Le non-respect de ces instructions peut causer un décès, un incendie ou un choc électrique.

IMPORTANT : La cuisinière doit être électriquement reliée à la terre conformément aux prescriptions des codes et règlements locaux; en l'absence de code local, respecter les prescriptions du code national en vigueur : National Electrical Code, ANSI/NFPA 70 ou Code canadien de l'électricité, CSA C22.1.

Si un conducteur distinct de liaison à la terre est utilisé (lorsque les codes en vigueur le permettent), on recommande qu'un électricien qualifié vérifie la qualité de la liaison à la terre.

On peut obtenir un exemplaire du code national en vigueur à l'adresse suivante :

National Fire Protection Association
1 Batterymarch Park
Quincy, MA 02169-7471

CSA International
8501 East Pleasant Valley Road
Cleveland, OH 44131-5575

- L'appareil doit être alimenté uniquement par un circuit de 120 V, 60 Hz, CA seulement, 15 A protégé par fusibles. On recommande l'emploi de fusibles temporisés ou de disjoncteurs. On recommande que l'appareil soit alimenté par un circuit indépendant.
- Les dispositifs d'allumage électronique peuvent fonctionner correctement dans une plage de tension d'alimentation étendue, mais il est nécessaire de respecter la polarité stipulée et d'établir une liaison à la terre adéquate. Vérifier que la prise de courant fournit une tension de 120 V et qu'elle est correctement reliée à la terre.
- On trouvera un schéma de câblage à l'arrière du tiroir de remisage, dans un sachet de plastique transparent.

⚠ **AVERTISSEMENT**



Risque d'explosion

Utiliser une canalisation neuve d'arrivée de gaz approuvée par la CSA International.

Installer un robinet d'arrêt.

Bien serrer chaque organe de connexion de la canalisation de gaz.

En cas de connexion au gaz propane, demander à une personne qualifiée de s'assurer que la pression de gaz ne dépasse pas 36 cm (14 po) de la colonne d'eau.

Par personne qualifiée, on comprend :

**le personnel autorisé de chauffage,
le personnel autorisé d'une compagnie de gaz, et
le personnel d'entretien autorisé.**

Le non-respect de ces instructions peut causer un décès, une explosion ou un incendie.

Observer toutes les prescriptions des codes et règlements en vigueur.

IMPORTANT : L'installation doit satisfaire aux critères de tous les codes et règlements locaux. En l'absence de code local, l'installation doit satisfaire aux prescriptions de la plus récente édition du code national en vigueur : National Fuel Gas Code ANSI Z223.1 (American National Standard), ou CAN/CGA B149 (édition la plus récente).

IMPORTANT : Les tests de fuite de la cuisinière doivent être effectués selon les instructions du fabricant.

Type de gaz

Gaz naturel :

La conception de cette cuisinière a été homologuée par CSA International pour l'alimentation au gaz naturel, ou pour l'alimentation au propane après conversion adéquate.

- Cette cuisinière a été configurée à l'usine pour l'alimentation au gaz naturel. Voir la section "Conversions pour changement de gaz". La plaque d'informations sur le gaz située derrière le tiroir de remisage, du côté gauche du châssis du four indique les types de gaz utilisables. Si le type de gaz disponible n'est pas mentionné sur la plaque d'informations sur le gaz, consulter le fournisseur de gaz local.

Conversion pour l'alimentation au propane :

L'opération de conversion doit être exécutée par un technicien qualifié.

Consulter le fournisseur de gaz avant toute conversion de l'appareil pour l'utilisation d'un type de gaz qui n'est pas mentionné sur la plaque d'informations sur le gaz. Voir la section "Conversions pour changement de gaz".

Canalisation de gaz

- Installer une canalisation de gaz rigide de 3/4" (1,9 cm) jusqu'à l'emplacement d'installation de la cuisinière. L'emploi d'une canalisation de plus petit diamètre ou plus longue peut susciter une déficience du débit d'alimentation. Pour l'alimentation au propane, le diamètre des canalisations doit être de 1/2" (1,3 cm) ou plus. Usuellement le fournisseur de gaz propane détermine les matériaux à utiliser et la dimension appropriée.

REMARQUE : On doit utiliser un composé d'étanchéité des tuyauteries résistant à l'action du gaz de pétrole liquéfié. Ne pas utiliser de ruban TEFLON®†.

Raccord métallique flexible pour appareil ménager :

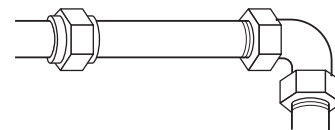
- Pour raccorder la cuisinière à la canalisation de gaz, si les codes locaux le permettent, utiliser un raccord métallique flexible pour appareil ménager neuf (homologation CSA) de 4 à 5 pi (122 à 152,4 cm) de longueur, de diamètre interne de 1/2" (1,3 cm) ou 3/4" (1,9 cm).



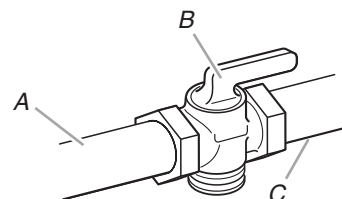
- Un raccord avec filetage mâle de 1/2" (1,3 cm) est nécessaire pour la connexion sur le raccord à filetage femelle à l'entrée du détendeur de l'appareil.
- Veiller à ne pas déformer/écraser/endommager le tube métallique flexible lors d'un déplacement de la cuisinière.

Raccordement par un ensemble rigide :

On doit utiliser une combinaison de raccords pour réaliser un raccordement rigide entre la cuisinière et la canalisation de gaz. Le tuyau rigide doit se trouver au même niveau que le raccord de connexion de la cuisinière. On doit veiller à ne soumettre les sections de canalisation d'alimentation et de combustible à aucun effort de traction ou flexion, pour que la cuisinière soit d'aplomb et correctement alignée.



- **Robinet d'arrêt nécessaire :**
La canalisation d'alimentation doit comporter un robinet d'arrêt manuel. Le robinet d'arrêt manuel doit être séparé de l'ouverture de la cuisinière, mais doit se trouver dans la même pièce, par exemple dans un placard adjacent. La canalisation doit se trouver en un endroit facilement accessible pour les manœuvres d'ouverture/fermeture. Ne pas entraver l'accès au robinet d'arrêt manuel. Le robinet d'arrêt manuel est prévu pour ouvrir ou fermer l'alimentation en gaz de la cuisinière.



A. Canalisation de gaz
B. Robinet d'arrêt manuel - position d'ouverture
C. Vers la cuisinière

Détendeur de gaz

On doit utiliser le détendeur fourni avec cette cuisinière. Pour un fonctionnement correct, la pression d'alimentation du détendeur doit être comme suit :

Gaz naturel :

Pression minimum : 5" (colonne d'eau)

Pression maximum : 14" (colonne d'eau)

Gaz propane :

Pression minimum : 11" (colonne d'eau)

Pression maximum : 14" (colonne d'eau)

En cas d'incertitude quant à la pression d'alimentation à établir, contacter le fournisseur de gaz local.

Débit thermique des brûleurs

Les débits thermiques indiqués sur la plaque d'informations sur le gaz correspondent à une altitude d'utilisation inférieure ou égale à 2000 pi (609,6 m).

Lorsque l'appareil est utilisé à une altitude supérieure à 2000 pi (609,6 m), on doit réduire le débit thermique indiqué de 4 % pour chaque tranche de 1000 pi (304,8 m) au-dessus du niveau de la mer (pas applicable au Canada).

Tests de pressurisation de la canalisation de gaz

On doit tester le détendeur sous une pression supérieure d'au moins 1" à la pression de la tubulure de distribution indiquée sur la plaque d'informations sur le gaz.

Pressurisation à une pression supérieure à ½ lb/po² (14" - colonne d'eau)

Lors de tout test de pressurisation de ce système à une pression supérieure à ½ lb/po² (3,5 kPa), on doit déconnecter l'appareil et son robinet d'arrêt individuel de la canalisation de gaz.

Pressurisation à une pression égale ou inférieure à ½ lb/po² (14" - colonne d'eau)

Lors de tout test de pressurisation de la canalisation de gaz à une pression égale ou inférieure à ½ lb/po² (3,5 kPa), on doit isoler l'appareil de la canalisation de gaz par fermeture de son robinet d'arrêt manuel individuel.

Préparation du plan de travail

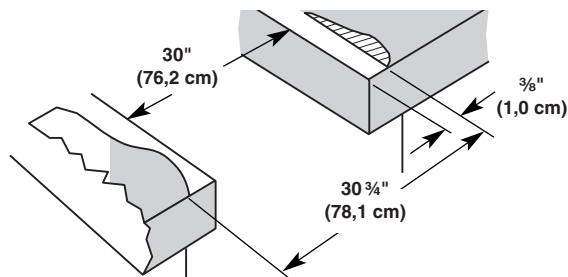
(pour cuisinières encastrables uniquement)

Les bords latéraux de la table de cuisson de la cuisinière encastrable seront placés en chevauchement sur les extrémités du plan de travail.

Si la largeur de l'espace disponible est de 30" (76,2 cm), et si la rive avant du plan de travail est plane et à l'équerre, aucune préparation du plan de travail ne sera nécessaire.

Si le bord avant du plan de travail a été réalisé par moulage, il sera nécessaire de réaliser une surface plane de ⅜" (1 cm) dans chaque angle avant de l'ouverture.

Il peut être nécessaire de tailler le carrelage du plan de travail sur ⅜" (1 cm) sur chaque angle à l'avant et/ou d'aplanir un bord arrondi.



Si la largeur de l'espace disponible pour le plan de travail est de plus de 30" (76,2 cm), ajuster la dimension de ⅜" (1 cm).

Il faut que le plan de travail soit horizontal. Placer un niveau sur le plan de travail; contrôler l'horizontalité transversalement, puis dans le sens avant/arrière. Si le plan de travail n'est pas horizontal, la cuisinière ne sera pas d'aplomb. Il faut que la cuisinière soit d'aplomb pour produire une performance de cuisson au four satisfaisante.

INSTRUCTIONS D'INSTALLATION

Déballage de la cuisinière

⚠ AVERTISSEMENT

Risque du poids excessif

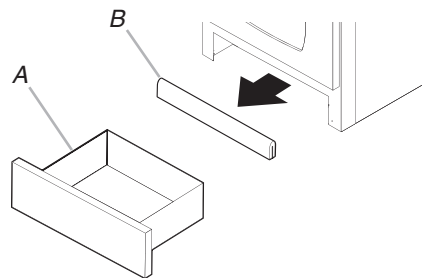
Utiliser deux ou plus de personnes pour déplacer et installer la cuisinière.

Le non-respect de cette instruction peut causer une blessure au dos ou d'autre blessure.

1. Ôter les matériaux d'emballage, le ruban adhésif et le film de la cuisinière. Garder la base de carton sous la cuisinière.
2. Retirer les grilles de four et le sachet de pièces de l'intérieur du four.

3. Pour les modèles avec tiroir de remisage uniquement :

Tirer le tiroir de remisage complètement. Ôter et jeter le support transversal en carton.



A. Tiroir de remisage

B. Support transversal en carton

4. Pour retirer la base en carton, placer la cuisinière sur sa partie postérieure, prendre les 4 coins de protection du carton d'emballage. Empiler l'un des coins sur un autre. Répéter avec les 2 autres coins. Les disposer sur le plancher dans le sens de la longueur derrière la cuisinière à titre de support de la cuisinière lorsque celle-ci est placée sur sa partie postérieure.
5. À l'aide de deux personnes ou plus, saisir fermement la cuisinière et la déposer délicatement sur sa partie postérieure, sur les coins de protection.
6. Tirer fermement sur la partie inférieure du carton pour le retirer.
7. Utiliser une clé à molette pour desserrer les pieds de nivellement.
8. Placer le carton ou le panneau de fibres dur devant la cuisinière. À l'aide de deux personnes ou plus, relever la cuisinière et la placer sur le carton ou le panneau de fibres dur.

Réglage des pieds de nivellement

1. Si un ajustement de la hauteur de la cuisinière est nécessaire, utiliser une clé ou une pince pour desserrer les 4 pieds de nivellement.

Ceci doit être effectué alors que la cuisinière repose sur sa partie postérieure ou qu'elle est supportée par 2 pieds après avoir été replacée en position verticale.

REMARQUE : Pour placer à nouveau la cuisinière en position verticale, placer un carton ou un panneau de fibres dur devant la cuisinière. À l'aide de deux personnes ou plus, relever la cuisinière et la placer sur le carton ou le panneau de fibres dur.

⚠ AVERTISSEMENT



Risque de basculement

Un enfant ou une personne adulte peut faire basculer la cuisinière, ce qui peut causer un décès.

Fixer la bride antibasculement au plancher ou au mur, conformément aux instructions d'installation.

Faire glisser de nouveau la cuisinière de façon à ce que le pied arrière de la cuisinière se trouve dans la fente de la bride antibasculement.

Réengager la bride antibasculement si la cuisinière a été déplacée.

Ne pas faire fonctionner la cuisinière si la bride antibasculement n'est pas installée et engagée.

Le non-respect de ces instructions peut causer un décès ou des brûlures graves aux enfants et aux adultes.

2. Ajuster les pieds de nivellement à la hauteur nécessaire. Les pieds de nivellement peuvent être desserrés pour ajouter une hauteur maximale de 1" (2,5 cm). Une longueur minimum de $\frac{3}{16}$ " (5,0 mm) est nécessaire pour engager la bride antibasculement.

REMARQUE : Si un ajustement de la hauteur est effectué alors que la cuisinière est debout, incliner la partie arrière de la cuisinière pour ajuster les pieds avant, puis incliner la cuisinière vers l'avant pour ajuster les pieds arrière.

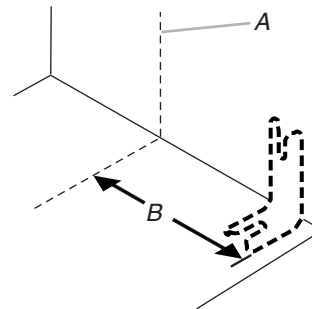
3. Lorsque la cuisinière est à la hauteur souhaitée, vérifier qu'il y a un espace suffisant sous la cuisinière pour loger la bride antibasculement. Avant de faire glisser la cuisinière à son emplacement final, vérifier qu'il sera possible de faire glisser la bride antibasculement sous la cuisinière et sur le pied de nivellement arrière avant l'installation de la bride antibasculement.

Installation de la bride antibasculement

1. Ôter la bride antibasculement fixée par du ruban adhésif au sachet de documentation.
2. Déterminer la méthode de montage à utiliser : au plancher ou au mur.

Pour un plancher en pierre ou en carrelage, on peut utiliser la méthode de montage au mur.

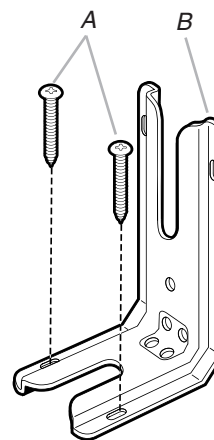
3. Déterminer et marquer l'axe central de l'espace à découper. On peut installer la bride de montage du côté gauche ou droit du découpage. Positionner la bride de montage dans la zone découpée de façon à ce que le bord droit (ou gauche) de la bride se trouve à $14\frac{1}{4}$ " (36,2 cm) de l'axe central, tel qu'illustré.



A. Axe central
B. $14\frac{1}{4}$ " (36,2 cm)

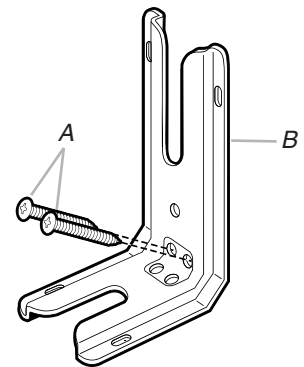
4. Percer deux trous de $\frac{1}{8}$ " (3,0 mm) qui correspondent aux trous de la bride selon la méthode de montage déterminée. Voir ci-dessous.

Montage au plancher



A. Vis n°12 x $1\frac{1}{8}$ "
B. Bride antibasculement

Montage au mur



A. Vis n°12 x $1\frac{1}{8}$ "
B. Bride antibasculement

5. À l'aide d'un tournevis Phillips, monter la bride antibasculement sur le mur ou sur le plancher avec les deux vis n° 12 x $1\frac{1}{8}$ " fournies.

Raccordement au gaz

⚠ AVERTISSEMENT



Risque d'explosion

Utiliser une canalisation neuve d'arrivée de gaz approuvée par la CSA International.

Installer un robinet d'arrêt.

Bien serrer chaque organe de connexion de la canalisation de gaz.

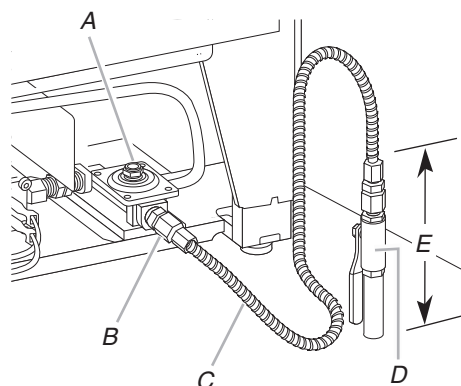
En cas de connexion au gaz propane, demander à une personne qualifiée de s'assurer que la pression de gaz ne dépasse pas 36 cm (14 po) de la colonne d'eau.

Par personne qualifiée, on comprend :

le personnel autorisé de chauffage,
le personnel autorisé d'une compagnie de gaz, et
le personnel d'entretien autorisé.

Le non-respect de ces instructions peut causer un décès, une explosion ou un incendie.

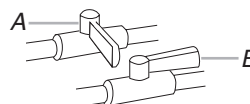
- La conduite d'arrivée du gaz ne doit pas excéder 10" (25,4 cm) au-dessus du sol.



A. Détendeur
B. Raccord d'adaptation
C. Raccord flexible
D. Robinet d'arrêt manuel
E. Conduite droite de 10" (25,4 cm) max.

Compléter le raccordement

- Ouvrir le robinet d'arrêt manuel sur la canalisation de gaz. Le robinet est ouvert lorsque la manette est parallèle à la canalisation de gaz.

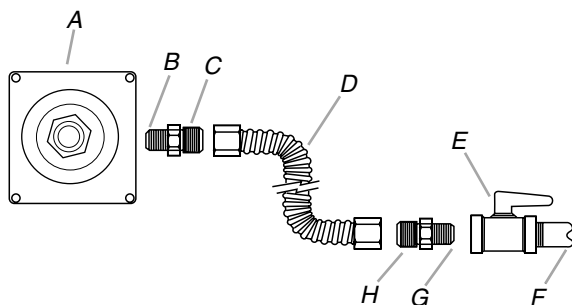


A. Robinet fermé
B. Robinet ouvert

- Vérifier tous les raccords en les badigeonnant d'une solution de détection des fuites non corrosive approuvée. L'apparition de bulles indique une fuite. Réparer toute fuite éventuelle.
- Ôter les chapeaux et grilles de brûleur de la table de cuisson du sachet de pièces. Aligner les renforcements des chapeaux de brûleur avec les broches se trouvant sur la base du brûleur. Un chapeau de brûleur correctement placé doit être horizontal. Si le chapeau de brûleur n'est pas correctement placé, le brûleur de surface ne peut s'allumer. Placer les grilles de brûleur sur les brûleurs et les chapeaux.

Raccordement typique par raccord flexible

- Appliquer un composé d'étanchéité pour tuyauteries propane sur les extrémités du petit filetage des raccords d'adaptation flexibles (voir B et G dans l'illustration suivante).
- Fixer un raccord d'adaptation sur le détendeur et l'autre raccord d'adaptation sur le robinet d'arrêt de la canalisation de gaz. Serrer les deux raccords d'adaptation.
- À l'aide d'une clé mixte de 15/16" et d'une clé à mollette, visser le raccord flexible sur les raccords d'adaptation. Veiller à ne pas déformer le raccord flexible.



A. Détendeur
B. Utiliser un composé d'étanchéité
C. Raccord d'adaptation (avec filetage mâle NPT de 1/2")
D. Raccord flexible
E. Robinet d'arrêt manuel
F. Tuyau de gaz de 1/2" ou 3/4"
G. Utiliser un composé d'étanchéité
H. Raccord d'adaptation

⚠ AVERTISSEMENT



Risque de choc électrique

Brancher sur une prise à 3 alvéoles reliée à la terre.

Ne pas enlever la broche de liaison à la terre.

Ne pas utiliser un adaptateur.

Ne pas utiliser un câble de rallonge.

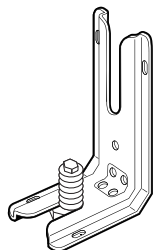
Le non-respect de ces instructions peut causer un décès, un incendie ou un choc électrique.

- Brancher sur une prise à 3 alvéoles reliée à la terre.

Vérifier que la bride antibasculement est bien installée et engagée

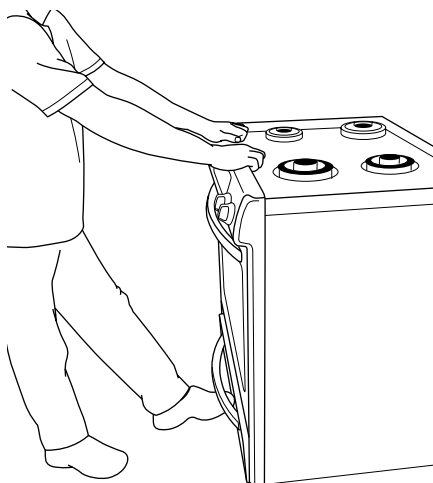
Sur les modèles avec tiroir de remisage :

1. Retirer le tiroir de remisage.
2. Au moyen d'une torche électrique, inspecter le dessous de la cuisinière.
3. Inspecter la cuisinière pour vérifier que le pied arrière de la cuisinière se trouve dans la fente de la bride antibasculement.



Sur les modèles avec tiroir-réchaud :

1. Placer l'extérieur du pied contre la partie inférieure avant du tiroir-réchaud pour empêcher la cuisinière de bouger et saisir le tableau de commande tel qu'indiqué.



2. Tenter d'incliner la cuisinière vers l'avant avec précaution. Si vous rencontrez une résistance immédiate, cela signifie que le pied de la cuisinière est engagé dans la bride antibasculement.
3. Si l'arrière de la cuisinière se soulève de plus de 1/2" (1,3 cm) du plancher sans opposer de résistance, cesser d'incliner la cuisinière et la reposer doucement sur le plancher. Le pied de la cuisinière n'est pas engagé dans la bride antibasculement.

IMPORTANT : Si l'on entend un claquement ou un bruit d'éclatement lorsqu'on soulève la cuisinière, cela signifie peut-être que la cuisinière n'est pas bien engagée dans la bride. Vérifier qu'aucune obstruction n'empêche la cuisinière de glisser vers le mur ou le pied de la cuisinière de glisser dans la bride. Vérifier que la bride est fermement maintenue en place par les vis de montage.

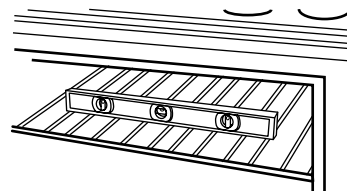
4. Glisser la cuisinière vers l'avant et vérifier que la bride antibasculement est bien fixée au plancher ou au mur.
5. Faire glisser de nouveau la cuisinière de façon à ce que le pied arrière de la cuisinière se trouve dans la fente de la bride antibasculement.

IMPORTANT : Si l'arrière de la cuisinière se trouve à plus de 2" (5,1 cm) du mur de montage, cela signifie que le pied arrière de la cuisinière n'est peut-être pas bien engagé dans la bride antibasculement. Glisser la cuisinière vers l'avant et déterminer si un objet fait obstruction entre la cuisinière et la paroi de montage. Pour assistance ou dépannage, consulter la section "Assistance ou Service" du guide d'utilisation et d'entretien, la couverture ou la section "Garantie" des instructions d'utilisation pour obtenir les coordonnées des personnes à contacter.

6. Répéter les étapes 1 et 2 pour s'assurer que le pied de la cuisinière est bien engagé dans la bride antibasculement. Si l'arrière de la cuisinière se soulève de plus de 1/2" (1,3 cm) du plancher sans opposer de résistance, cela peut signifier que la bride antibasculement n'est pas correctement installée. Ne pas faire fonctionner la cuisinière si la bride antibasculement n'est pas installée et engagée. Consulter la section "Assistance ou Service" du guide d'utilisation et d'entretien, la couverture ou la section "Garantie" des instructions d'utilisation pour obtenir les coordonnées des personnes à contacter.

Réglage de l'aplomb de la cuisinière

1. Placer la grille dans le four.
2. Placer un niveau sur la grille et contrôler l'aplomb de la cuisinière, d'abord transversalement, puis d'avant en arrière.



3. Si la cuisinière n'est pas d'aplomb, la tirer vers l'avant de façon à ce que le pied de nivellement arrière se dégage de la bride antibasculement.
4. Utiliser une clé pour régler les pieds de nivellement vers le haut ou vers le bas jusqu'à ce que la cuisinière soit d'aplomb. Pousser pour la remettre en place.
5. Vérifier que le pied de nivellement arrière est engagé dans la bride antibasculement.

REMARQUE : Il faut que l'appareil soit d'aplomb pour produire une performance satisfaisante.

Système d'allumage électronique

Allumage initial et réglages des flammes

Les brûleurs de la table de cuisson et du four sont équipés d'allumeurs sans veilleuse et non de veilleuses permanentes. Lorsqu'on place le bouton de commande d'un brûleur de la table de cuisson à la position "LITE" (allumage), le système génère des étincelles pour l'allumage du brûleur. La génération d'étincelles se poursuit aussi longtemps que le bouton de commande est laissé à la position "LITE".

Lorsque la commande du four est placée sur le réglage désiré, un allumeur à barreau porté à incandescence allume le gaz.

Contrôle du fonctionnement des brûleurs de surface

Brûleurs de surface standard

Enfoncer et faire tourner chaque bouton de commande à la position "LITE".

Le gaz doit s'enflammer en moins de 4 secondes. Lors de l'allumage initial, le délai d'allumage peut être supérieur à 4 secondes du fait de la présence d'air dans la canalisation de gaz.

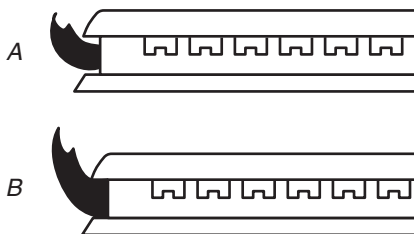
Si les brûleurs ne s'allument pas correctement :

- Ramener le bouton de commande du brûleur de surface à la position "OFF" (arrêt).
- Vérifier que la cuisinière est branchée, que le disjoncteur ne s'est pas déclenché et qu'aucun fusible n'est grillé.
- Vérifier que chaque robinet d'arrêt est ouvert.
- Vérifier que les chapeaux de brûleur sont correctement placés sur les bases des brûleurs.

Répéter la procédure d'allumage. Si à ce stade un brûleur ne s'allume pas, tourner les boutons de commande à la position "OFF" et contacter le revendeur ou un dépanneur agréé.

Réglage de la taille des flammes

Régler la taille des flammes sur les brûleurs de la table de cuisson. Pour le réglage au débit thermique minimum, on doit observer des flammes stables bleues d'environ 1/4" (0,64 cm) de hauteur.



A. Débit thermique minimum
B. Débit thermique maximum

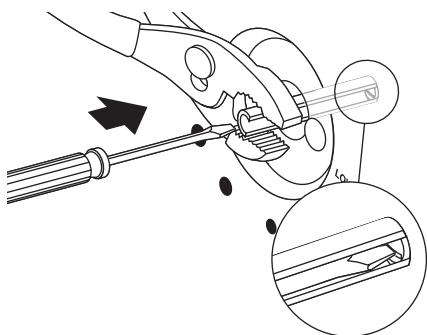
Réglage des brûleurs standard :

La vis de réglage au centre de la tige de commande du robinet permet de régler la taille des flammes. La tige de commande est située directement au-dessous du bouton de commande.

S'il est nécessaire de régler la taille des flammes pour le débit thermique minimum :

1. Allumer un brûleur et tourner pour obtenir le réglage le plus faible.
2. Ôter le bouton de commande.

Maintenir la tige du bouton au réglage faible à l'aide d'une pince. Utiliser un tournevis à lame plate de 1/8" (3 mm) pour faire tourner la vis située au centre de la tige du bouton de commande, pour établir la taille correcte des flammes.

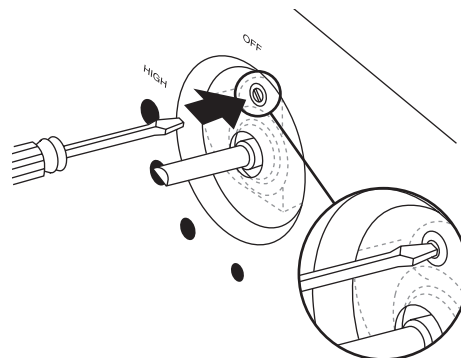


3. Réinstaller le bouton de commande.
4. Tester le fonctionnement du brûleur : faire passer le bouton de commande de la position "LO" (basse) à la position "HI" (élevée) et observer les flammes pour chaque réglage.
5. Répéter les étapes ci-dessus pour chaque brûleur.

Pour ajuster le brûleur à double flamme :

1. Allumer le brûleur et le tourner au réglage le plus bas auquel les brûleurs interne et externe puissent rester allumés.
2. Ôter le bouton de commande.

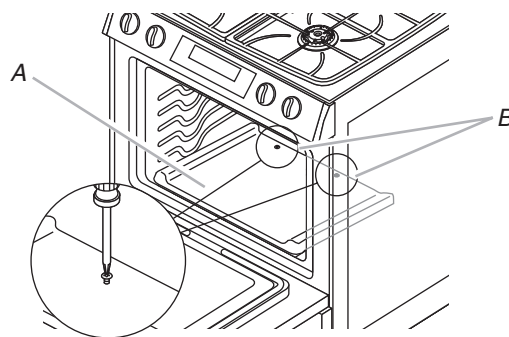
Insérer un tournevis à lame plate de 1/8" (3 mm) dans les emplacements de réglage indiqués dans l'illustration suivante et engager la vis à fentes. Tourner la vis jusqu'à ce que la flamme atteigne la taille correcte.



3. Réinstaller le bouton de commande.
4. Tester la flamme en tournant le bouton de commande de la position "LO" (basse) à la position "HI" (élevée) et observer les flammes pour chaque réglage.

Contrôle du fonctionnement du brûleur principal

1. Ôter la grille du four.
2. À l'aide d'un tournevis Phillips, dévisser les deux vis du couvercle du brûleur principal.
3. Soulever l'arrière du couvercle du brûleur principal pour le retirer.
4. Placer le couvercle du brûleur sur une surface couverte.



A. Brûleur principal - couvercle
B. Brûleur principal - vis du couvercle

5. Appuyer sur BAKE (cuisson au four). "BAKE" et les températures s'affichent.
6. Appuyer soit sur la touche de réglage rapide, soit sur le panneau de commande, à côté de la température sur l'afficheur.

L'allumeur du brûleur principal est porté à incandescence. Une fois l'allumeur suffisamment chaud, le brûleur principal s'allume. Dans certaines situations, jusqu'à 60 secondes sont nécessaires pour qu'il s'allume.

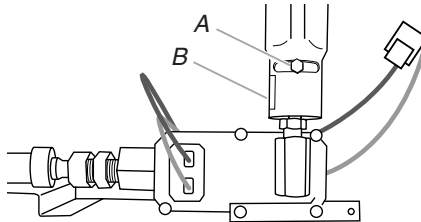
Réglage de la taille des flammes sur le brûleur principal (le cas échéant)

1. Retirer le tiroir de remisage ou le tiroir-réchaud.
2. Retirer le panneau d'accès (2 vis) situé sur la paroi arrière, à l'intérieur du compartiment du tiroir de remisage.

3. Observer les flammes sur le brûleur principal pour déterminer si un réglage est nécessaire.

Il doit y avoir sur le brûleur des flammes comportant un cône interne bleu-vert de 1/2" (1,3 cm) et une zone externe bleu foncé; la forme des flammes doit être nette et douce. On ne doit pas observer de pointes jaunes, ni d'effet de soufflage ou de séparation entre les flammes et le brûleur.

4. S'il est nécessaire de régler la taille des flammes, identifier la virole de réglage de l'admission d'air près du centre/à l'arrière de la cuisinière. À l'aide d'un tournevis à lame plate, desserrer la vis de réglage de l'admission d'air. Faire tourner la virole jusqu'à ce que la flamme atteigne la taille correcte. Serrer la vis de réglage de l'admission d'air.



A. Vis de réglage de l'admission d'air
B. Admission d'air

5. Appuyer sur CANCEL (annulation) après avoir terminé.
6. Remonter le panneau d'accès et le couvercle du brûleur principal.

Contrôle du fonctionnement du brûleur du grill

1. Fermer la porte du four à la position de butée de cuisson au grill.
2. Appuyer sur la touche BROIL (grill). "BROIL" (grill), "HIGH" (élevée) et "LOW" (basse) s'affichent.
3. Appuyer sur la touche de réglage rapide située à côté de "LOW" (basse) pour commencer.

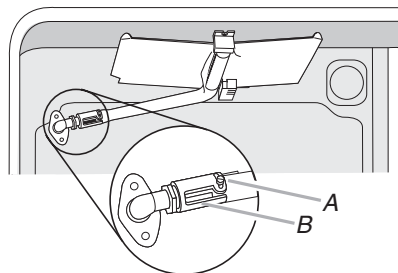
L'allumeur du brûleur du grill est porté à incandescence. Une fois l'allumeur suffisamment chaud, le brûleur du grill s'allume. Dans certaines situations, jusqu'à 60 secondes sont nécessaires pour qu'il s'allume.

Réglage de la taille des flammes sur le brûleur du grill (le cas échéant)

Examiner les flammes sur le brûleur du grill à travers le hublot du four. Il doit y avoir sur le brûleur des flammes comportant un cône interne bleu-vert de 1/2" (1,3 cm) et une zone externe bleu foncé; la forme des flammes doit être nette et douce. On ne doit pas observer de pointes jaunes, ni d'effet de soufflage ou de séparation entre les flammes et le brûleur.

S'il est nécessaire de régler la taille des flammes :

1. À l'aide d'un tournevis à lame plate, desserrer la vis de réglage de l'admission d'air située à l'arrière du brûleur du grill.
2. Régler l'admission d'air selon le besoin.
3. Serrer la vis de réglage de l'admission d'air.



A. Vis de réglage de l'admission d'air
B. Admission d'air

4. Appuyer sur CANCEL (annulation) après avoir terminé.

Réinstallation des grilles du four et du tiroir de remisage ou du tiroir-réchaud

Réinstaller les grilles dans la cavité du four. Réinstaller le tiroir de remisage ou le tiroir-réchaud.

Réinstallation du tiroir de remisage ou du tiroir-réchaud :

1. Placer les extrémités des rails du tiroir dans les guides de la cuisinière.
2. Soulever l'avant du tiroir et le pousser doucement jusqu'à la première position d'arrêt.
3. Soulever à nouveau le tiroir et le pousser jusqu'à sa fermeture complète.

Achever l'installation

1. Vérifier que toutes les pièces sont maintenant installées. S'il reste une pièce inutilisée, passer en revue les différentes étapes pour découvrir laquelle aurait été oubliée.
2. Vérifier la présence de tous les outils.
3. Jeter ou recycler tous les matériaux d'emballage.
4. Contrôler l'aplomb de la cuisinière. Voir "Réglage de l'aplomb de la cuisinière".
5. Utiliser une solution d'eau tiède et de nettoyant ménager liquide doux pour éliminer tout résidu de cire laissé par les matériaux de protection de l'emballage. Sécher parfaitement avec un linge doux. Pour plus d'informations, consulter la section "Entretien de la cuisinière" dans le Guide d'utilisation et d'entretien ou les instructions d'utilisation.
6. Lire le Guide d'utilisation et d'entretien ou les Instructions d'utilisation.
7. Mettre en marche les brûleurs de surface et le four. Pour des instructions spécifiques concernant l'utilisation de la cuisinière, consulter le Guide d'utilisation et d'entretien ou les instructions d'utilisation.

Si la cuisinière ne fonctionne pas, contrôler ce qui suit :

- Les fusibles du domicile sont intacts et bien serrés, ou le disjoncteur ne s'est pas déclenché.
 - La cuisinière est branchée directement sur une prise de courant à 3 alvéoles, reliée à la terre.
 - Le raccordement de l'alimentation électrique a été effectué.
 - Consulter la section "Dépannage" dans le Guide d'utilisation et d'entretien ou les Instructions d'utilisation.
8. Après 5 minutes de fonctionnement de la cuisinière, évaluer le niveau de chaleur. Si la cuisinière est froide, arrêter la cuisinière et déterminer si le robinet d'arrêt d'alimentation en gaz est ouvert.
 - Si le robinet d'arrêt de l'alimentation en gaz est fermé, l'ouvrir, puis répéter le test de 5 minutes décrit ci-dessus.
 - Si le robinet d'arrêt de l'alimentation en gaz est ouvert, appuyer sur le bouton CANCEL (annulation) sur le tableau de commande du four et contacter un technicien qualifié.

Si vous avez besoin d'assistance ou de service :

Veillez consulter la section "Assistance ou service" dans le Guide d'utilisation et d'entretien ou la page de couverture des instructions d'utilisation, ou contacter le revendeur qui vous a vendu la cuisinière.

CONVERSIONS POUR CHANGEMENT DE GAZ

Les conversions du gaz naturel au propane ou du propane au gaz naturel doivent être effectuées par un installateur qualifié.

⚠ AVERTISSEMENT



Risque d'explosion

Utiliser une canalisation neuve d'arrivée de gaz approuvée par la CSA International.

Installer un robinet d'arrêt.

Bien serrer chaque organe de connexion de la canalisation de gaz.

En cas de connexion au gaz propane, demander à une personne qualifiée de s'assurer que la pression de gaz ne dépasse pas 36 cm (14 po) de la colonne d'eau.

Par personne qualifiée, on comprend :

le personnel autorisé de chauffage,
le personnel autorisé d'une compagnie de gaz, et
le personnel d'entretien autorisé.

Le non-respect de ces instructions peut causer un décès, une explosion ou un incendie.

Conversion pour l'alimentation au propane

⚠ AVERTISSEMENT



Risque de basculement

Un enfant ou une personne adulte peut faire basculer la cuisinière, ce qui peut causer un décès.

Fixer la bride antibasculement au plancher ou au mur, conformément aux instructions d'installation.

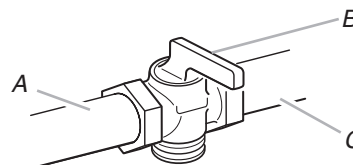
Faire glisser de nouveau la cuisinière de façon à ce que le pied arrière de la cuisinière se trouve dans la fente de la bride antibasculement.

Réengager la bride antibasculement si la cuisinière a été déplacée.

Ne pas faire fonctionner la cuisinière si la bride antibasculement n'est pas installée et engagée.

Le non-respect de ces instructions peut causer un décès ou des brûlures graves aux enfants et aux adultes.

1. Fermer le robinet d'arrêt manuel.



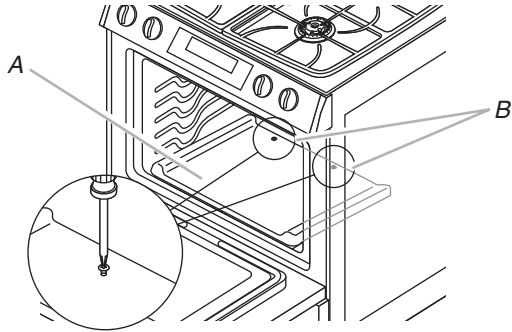
A. Vers la cuisinière
B. Robinet d'arrêt (position de fermeture)
C. Canalisation de gaz

2. Débrancher la cuisinière ou déconnecter la source de courant électrique.

Conversion du détendeur

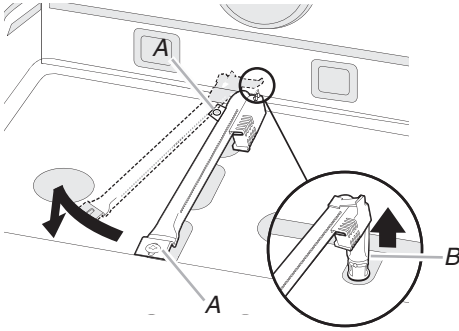
1. Retirer les grilles de l'intérieur de la cavité du four.
2. Retirer le tiroir de remisage. Voir la section "Réinstallation des grilles du four et du tiroir de remisage ou du tiroir-réchaud".
3. Retirer la porte du four. Voir la section "Porte du four" du Guide d'utilisation et d'entretien pour des instructions de démontage de la porte du four.

4. À l'aide d'un tournevis Phillips, dévisser les 2 vis du couvercle du brûleur principal situées à l'arrière du four et les mettre de côté.



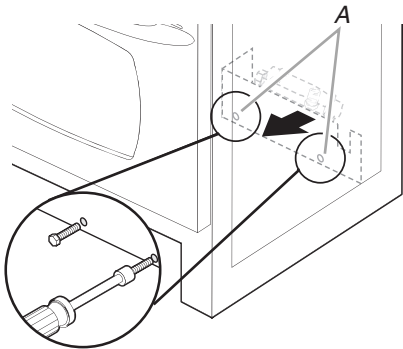
A. Brûleur principal - couvercle
B. Brûleur principal - vis du couvercle

5. Soulever le couvercle du brûleur principal pour le retirer.
6. Dévisser les 2 vis du brûleur principal et les mettre de côté.
7. Faire basculer le brûleur principal sur le côté et le soulever pour le déboîter de l'orifice du four; le mettre de côté.



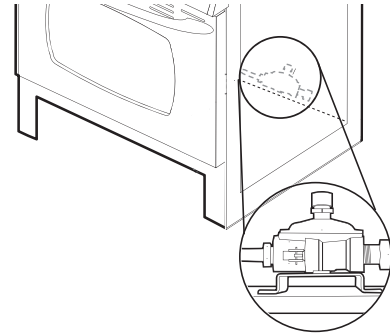
A. Vis du brûleur principal
B. Orifice du four

8. Déterminer l'emplacement du panneau d'accès, à l'arrière du compartiment du tiroir de remisage. À l'aide d'un tourne-écrou de 1/4" (6 mm), dévisser les 2 vis du panneau d'accès. Retirer le panneau d'accès et le mettre de côté avec ses 2 vis.



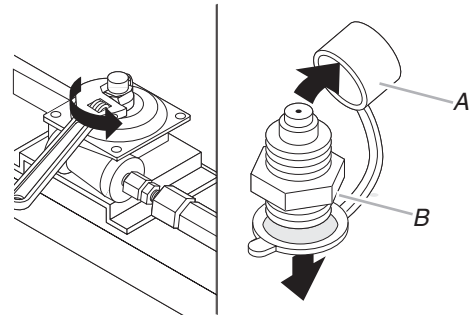
A. Vis du panneau d'accès

9. Déterminer l'emplacement du détendeur de gaz situé à l'arrière du compartiment du tiroir de remisage.



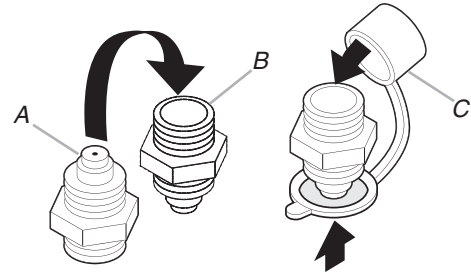
IMPORTANT : Ne pas enlever le détendeur.

10. Dévisser le chapeau du détendeur et retirer le couvercle de plastique.



A. Couvercle de plastique
B. Chapeau du détendeur

11. Faire basculer le chapeau du détendeur et remplacer le couvercle de plastique.

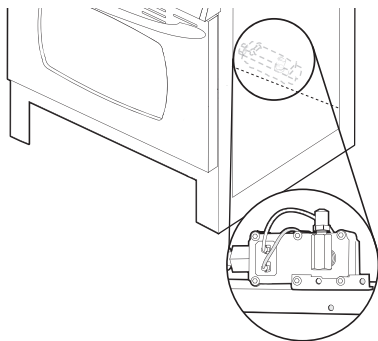


A. Position gaz naturel
B. Position propane
C. Couvercle de plastique

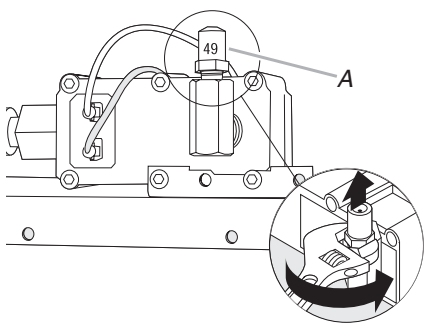
12. Revisser soigneusement le chapeau du détendeur. Ne pas serrer excessivement.

Conversion du brûleur principal

1. Déterminer l'emplacement du gicleur du brûleur principal à l'avant de l'appareil.

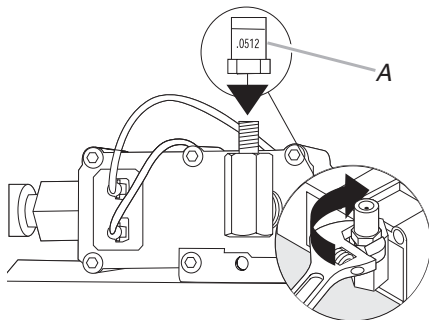


2. À l'aide d'une clé à mollette, tourner le gicleur du brûleur principal au gaz naturel numéro 49 dans le sens antihoraire et le retirer.



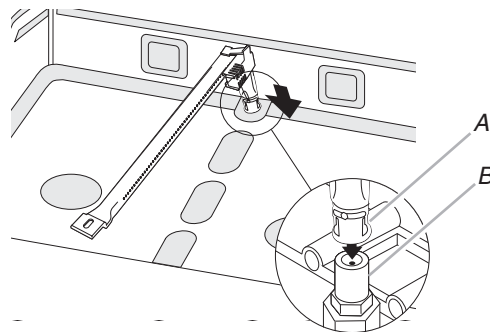
A. Gicleur du brûleur principal au gaz naturel numéro 49

3. Installer le gicleur du brûleur principal au gaz propane numéro .0512 en le tournant dans le sens horaire de 4 ou 5 tours. Ne pas serrer excessivement.



A. Gicleur du brûleur principal au gaz propane numéro .0512 noir

4. Positionner le brûleur principal sur son gicleur et le fixer à l'aide de 2 vis.

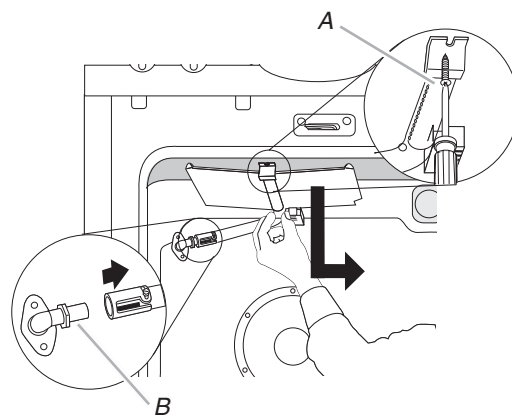


A. Brûleur principal
B. Gicleur du brûleur principal

5. Remonter le panneau d'accès et le couvercle du brûleur principal.

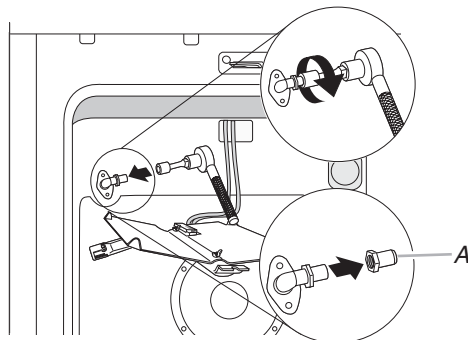
Conversion du brûleur du grill

1. Dévisser la vis du brûleur du grill et la mettre de côté.
2. Retirer le brûleur du grill de son gicleur. Le brûleur du grill reste suspendu à l'arrière du four pendant le remplacement du gicleur.



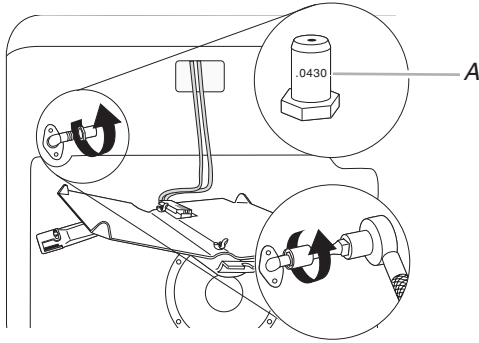
A. Vis du brûleur du grill
B. Gicleur du brûleur du grill

3. Tourner le gicleur du brûleur du grill au gaz naturel numéro 52 dans le sens antihoraire et le retirer.



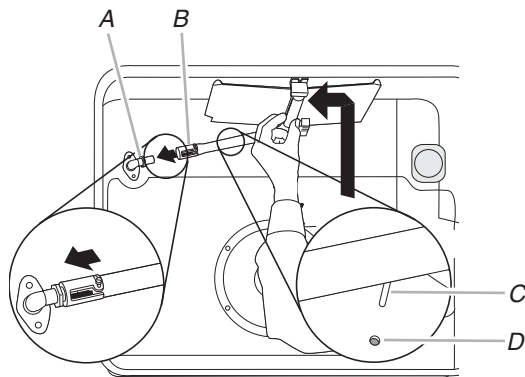
A. Gicleur du brûleur du grill au gaz naturel numéro 52

4. Installer le gicleur vert du brûleur du grill au gaz propane numéro .0430 en le vissant dans le sens horaire de 4 ou 5 tours. Ne pas serrer excessivement.



A. Gicleur du brûleur du grill au gaz propane numéro .0430

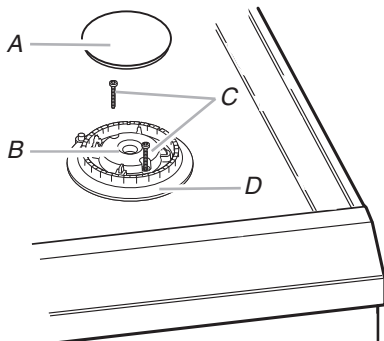
5. Placer le brûleur du grill sur son gicleur. Introduire la broche de montage du brûleur du grill dans le trou correspondant, à l'arrière du four.
6. Placer le brûleur du grill contre le haut de la cavité du four et le fixer à l'aide de la vis.



A. Gicleur du brûleur du grill
B. Brûleur du grill
C. Broche de montage du brûleur du grill
D. Trou de positionnement du brûleur du grill

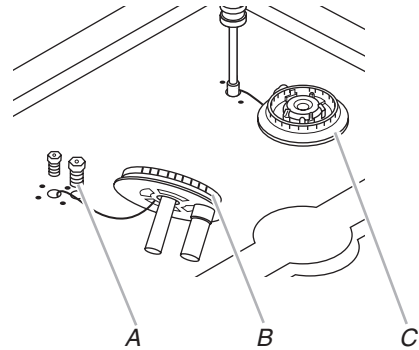
Conversion des brûleurs de surface

1. Enlever les grilles de brûleur si elles sont installées.
2. Retirer les chapeaux de brûleur.
3. À l'aide d'un tournevis Phillips, retirer la base du brûleur.



A. Chapeau de brûleur
B. Ouverture du tube d'arrivée de gaz
C. Vis de la base du brûleur
D. Base du brûleur

4. Apposer du ruban adhésif de masquage à l'extrémité d'un tourne-écrou de $\frac{9}{32}$ " (7 mm), pour retenir le gicleur de gaz naturel à l'extrémité du tourne-écrou pour l'opération de remplacement. Appuyer le tourne-écrou sur le gicleur du gaz naturel; tourner dans le sens antihoraire pour dévisser, et extraire le gicleur. Conserver le gicleur pour gaz naturel.



A. Gicleur de gaz - gaz naturel
B. Brûleur à double flamme
C. Brûleur à flamme unique

Utiliser le tableau suivant pour déterminer le gicleur à gaz propane adapté à chaque brûleur. Se reporter à la plaque d'informations sur le gaz située en bas à gauche de l'avant du châssis du four pour déterminer le calibre correct des gicleurs à propane correspondant à l'emplacement de chaque brûleur.

Tableau de sélection des gicleurs pour gaz propane pour le modèle JGS8850 et JGS8860

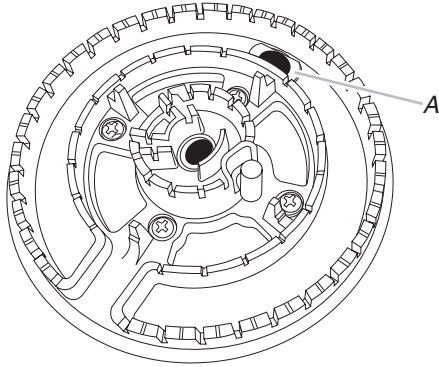
Emplacement	Puissance thermique	Couleur	Numéro
Avant droit	14 000 BTU	Rouge	114L
Arrière droit	4 000 BTU	Bleu	64L
Avant gauche	13 000 BTU	Central : Blanc Décentré : Orange	Central : 55L Décentré : 97L
Arrière gauche	9 100 BTU	Transparent	91 L

Tableau de sélection des gicleurs pour gaz propane pour le modèle JGS8750

Emplacement	Puissance thermique	Couleur	Numéro
Avant droit	14 000 BTU	Rouge	114L
Arrière droit	9 100 BTU	Transparent	91L
Avant gauche	9 100 BTU	Transparent	91L
Arrière gauche	4 000 BTU	Bleu	64L

5. Remplacer le gicleur pour gaz naturel par le gicleur pour gaz propane approprié. Voir le "Tableau de sélection des gicleurs pour gaz propane". Pour les brûleurs à double flamme, (sur certains modèles), remplacer les gicleurs centraux et décentrés.
6. Remplacer la base du brûleur et serrer les vis à la main.

- Placer le volet du brûleur pour gaz propane dans l'orifice décentré du brûleur double (sur certains modèles).



A. Volet du brûleur pour gaz propane

- Réinstaller le chapeau de brûleur.
- Répéter les étapes 1 à 8 pour les autres brûleurs.
- Placer les gicleurs pour gaz naturel dans le sachet de plastique et avec les documents fournis avec l'appareil, pour pouvoir les réutiliser ultérieurement.
- Replacer les grilles des brûleurs.
- Réinstaller le tiroir de remisage. Voir la section "Réinstallation des grilles du four et du tiroir de remisage ou du tiroir-réchaud" pour les instructions.
- Réinstaller la porte du four. Voir la section "Porte du four" du Guide d'utilisation et d'entretien.
- Achever l'installation. Voir les sections "Raccordement à la canalisation de gaz" et "Système d'allumage électronique".

Il est très important de vérifier que les flammes de brûleur de la table de cuisson sont correctes. Le petit cône intérieur doit comporter une flamme bleue très nette de $\frac{1}{4}$ " à $\frac{1}{2}$ " de longueur. Le cône extérieur de la flamme n'est pas aussi net que le cône intérieur. Les flammes d'un brûleur alimenté au propane comportent une pointe légèrement jaune.

IMPORTANT : Il peut être nécessaire de modifier le réglage des flammes à la position du débit thermique minimum pour chaque brûleur de la table de cuisson.

Conversion pour l'alimentation au gaz naturel

⚠ AVERTISSEMENT



Risque de basculement

Un enfant ou une personne adulte peut faire basculer la cuisinière, ce qui peut causer un décès.

Fixer la bride antibasculement au plancher ou au mur, conformément aux instructions d'installation.

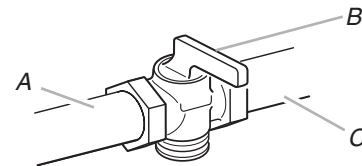
Faire glisser de nouveau la cuisinière de façon à ce que le pied arrière de la cuisinière se trouve dans la fente de la bride antibasculement.

Réengager la bride antibasculement si la cuisinière a été déplacée.

Ne pas faire fonctionner la cuisinière si la bride antibasculement n'est pas installée et engagée.

Le non-respect de ces instructions peut causer un décès ou des brûlures graves aux enfants et aux adultes.

- Fermer le robinet d'arrêt manuel.



A. Vers la cuisinière

B. Robinet d'arrêt (position de fermeture)

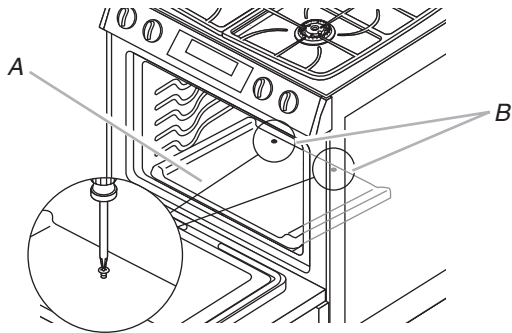
C. Canalisation de gaz

- Débrancher la cuisinière ou déconnecter la source de courant électrique.

Conversion du détendeur

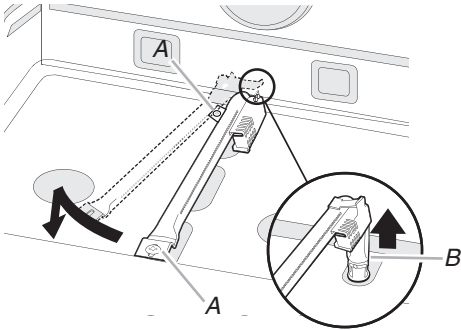
- Retirer les grilles de l'intérieur de la cavité du four.
- Retirer le tiroir de remisage. Voir la section "Réinstallation des grilles du four et du tiroir de remisage ou du tiroir-réchaud".
- Retirer la porte du four. Voir la section "Porte du four" du Guide d'utilisation et d'entretien pour des instructions de démontage de la porte du four.

4. À l'aide d'un tournevis Phillips, dévisser les 2 vis du couvercle du brûleur principal situées à l'arrière du four.



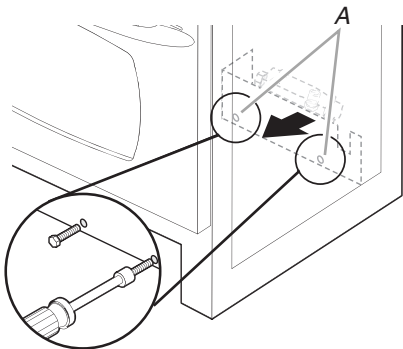
A. Brûleur principal - couvercle
B. Brûleur principal - vis du couvercle

5. Soulever le couvercle du brûleur principal pour le retirer.
6. Dévisser les 2 vis du brûleur principal et les mettre de côté.
7. Faire basculer le brûleur principal sur le côté et le soulever pour le déboîter de l'orifice du four; le mettre de côté.



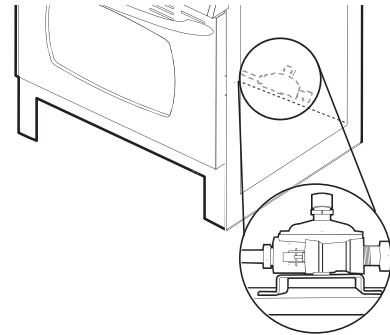
A. Vis du brûleur principal
B. Orifice du four

8. Déterminer l'emplacement du panneau d'accès, à l'arrière du compartiment du tiroir de remisage. À l'aide d'un tourne-écrou de 1/4" (6,0 mm), dévisser les 2 vis du panneau d'accès. Retirer le panneau d'accès et le mettre de côté avec ses 2 vis.



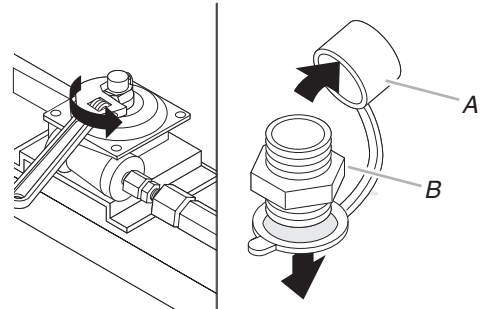
A. Vis du panneau d'accès

9. Déterminer l'emplacement du détendeur de gaz à l'arrière du compartiment du tiroir de remisage.



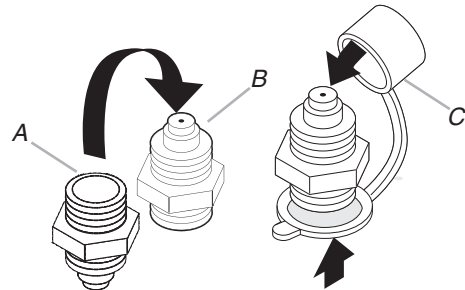
IMPORTANT : Ne pas enlever le détendeur.

10. Dévisser le chapeau du détendeur et retirer le couvercle de plastique.



A. Couvercle de plastique
B. Chapeau du détendeur

11. Faire basculer le chapeau du détendeur et replacer le couvercle de plastique.

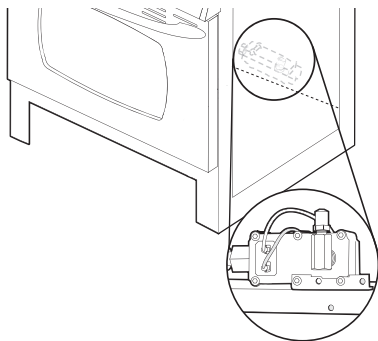


A. Position propane
B. Position gaz naturel
C. Couvercle de plastique

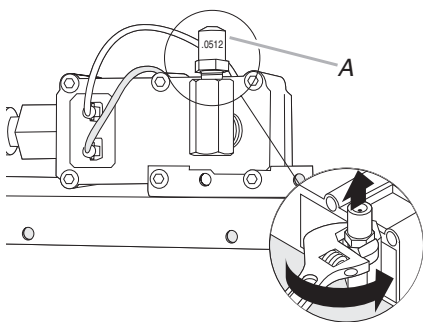
12. Revisser soigneusement le chapeau du détendeur. Ne pas serrer excessivement.

Conversion du brûleur principal

1. Déterminer l'emplacement du gicleur du brûleur principal à partir de l'avant de la cuisinière.

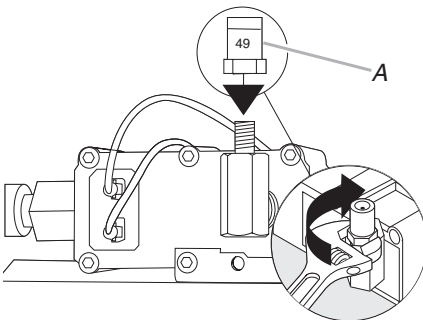


2. À l'aide d'une clé à molette, tourner le gicleur du brûleur principal au gaz propane numéro .0512 dans le sens antihoraire pour le retirer.



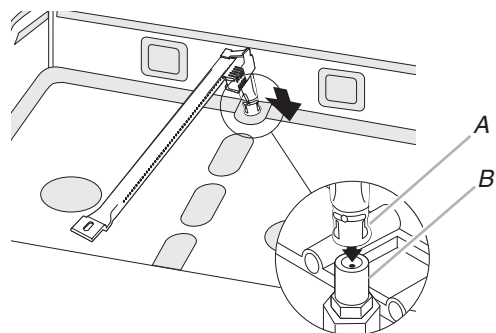
A. Gicleur du brûleur principal au gaz propane numéro .0512

3. Installer le gicleur du brûleur principal au gaz naturel numéro 49 en le tournant dans le sens horaire de 4 ou 5 tours. Ne pas serrer excessivement.



A. Gicleur du brûleur principal au gaz naturel numéro 49

4. Positionner le brûleur principal sur son gicleur et le fixer à l'aide de 2 vis.

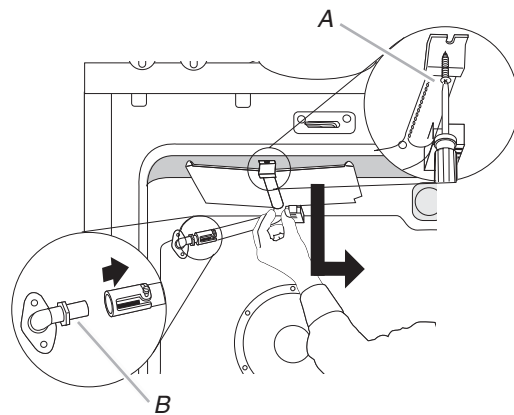


A. Brûleur principal
B. Gicleur du brûleur principal

5. Remonter le panneau d'accès et le couvercle du brûleur principal.

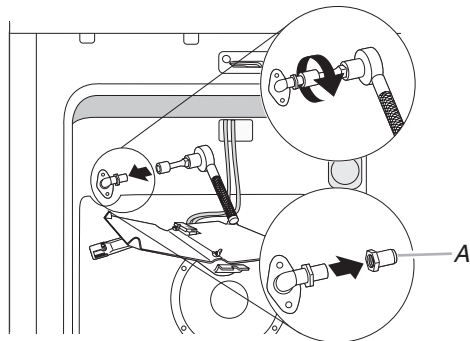
Conversion du brûleur du gril

1. Dévisser la vis du brûleur du gril et la mettre de côté.
2. Retirer le brûleur du gril de son gicleur. Le brûleur du gril reste suspendu à l'arrière du four pendant le remplacement du gicleur.



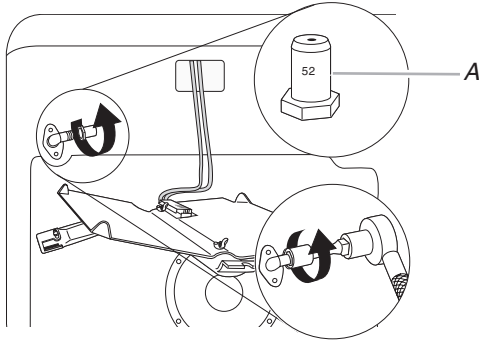
A. Vis du brûleur du gril
B. Gicleur du brûleur du gril

3. Tourner le gicleur vert du brûleur du gril au gaz propane numéro .0430 dans le sens antihoraire et le retirer.



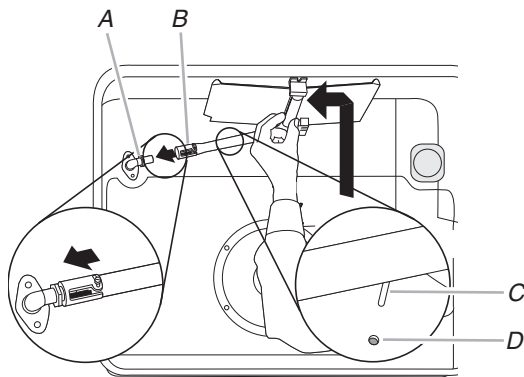
A. Gicleur du brûleur du gril au gaz propane numéro .0430

4. Installer le gicleur du brûleur du grill au gaz naturel numéro 52 en le tournant dans le sens horaire de 4 ou 5 tours. Ne pas serrer excessivement.



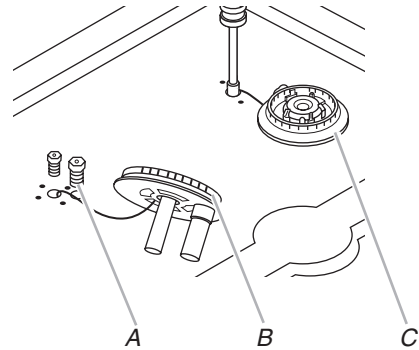
A. Gicleur du brûleur du grill au gaz naturel numéro 52

5. Placer le brûleur du grill sur son gicleur. Introduire la broche de montage du brûleur du grill dans le trou correspondant à l'arrière du four.
6. Placer le brûleur du grill contre le haut de la cavité du four et le fixer à l'aide de la vis.



A. Gicleur du brûleur du grill
B. Brûleur du grill
C. Broche de montage du brûleur du grill
D. Trou de positionnement du brûleur du grill

5. Apposer du ruban adhésif de masquage à l'extrémité d'un tourne-écrou de $\frac{9}{32}$ " (7,0 mm), pour retenir le gicleur de propane dans le tourne-écrou pour l'opération de remplacement. Appuyer le tourne-écrou sur le gicleur du propane; tourner dans le sens antihoraire pour dévisser, et extraire le gicleur. Conserver le gicleur pour propane.



A. Gicleur de gaz - Gaz naturel
B. Brûleur à double flamme
C. Brûleur à flamme unique

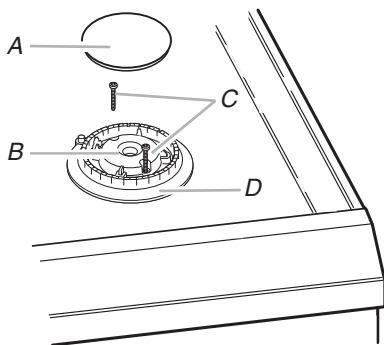
Utiliser le tableau suivant pour déterminer le gicleur à gaz naturel adapté à chaque brûleur. Se reporter à la plaque d'informations sur le gaz située en bas à gauche de l'avant du châssis du four pour déterminer le calibre correct des gicleurs à gaz naturel correspondant à l'emplacement de chaque brûleur.

Tableau de sélection des gicleurs pour gaz naturel pour le modèle JGS8850et JGS8860

Emplacement	Puissance thermique	Couleur	Numéro
Avant droit	16 000 BTU	Transparent	190N
Arrière droit	5 000 BTU	Vert	107N
Avant gauche	15 000 BTU	Central : Transparent Décentré : Transparent	Central : 80N Décentré : 165N
Arrière gauche	9 200 BTU	Transparent	142N

Conversion des brûleurs de surface

1. Enlever les grilles de brûleur si elles sont installées.
2. Retirer les chapeaux de brûleur.
3. Sur les modèles avec brûleurs à double flamme, retirer le volet pour gaz propane du brûleur à double flamme.
4. À l'aide d'un tournevis Phillips, retirer la base du brûleur.



A. Chapeau de brûleur
B. Ouverture du tube d'arrivée de gaz
C. Vis de la base du brûleur
D. Base du brûleur

Tableau de sélection des gicleurs pour gaz naturel pour le modèle JGS8750

Emplacement	Puissance thermique	Couleur	Numéro
Avant droit	16 000 BTU	Transparent	190L
Arrière droit	9 200 BTU	Transparent	142L
Avant gauche	9 200 BTU	Transparent	142L
Arrière gauche	5 000 BTU	Vert	107L

6. Remplacer le gicleur pour gaz propane par un gicleur correct pour gaz naturel. Voir le "Tableau de sélection des gicleurs pour gaz naturel".
7. Replacer la base du brûleur et serrer les vis à la main.
8. Réinstaller le chapeau de brûleur.
9. Répéter les étapes 1 à 7 pour les brûleurs restants.

10. Placer les gicleurs pour gaz propane (ainsi que les volets de brûleurs pour gaz propane sur les modèles avec un brûleur à double flamme) dans le sachet de plastique et avec les documents fournis avec l'appareil, pour pouvoir les réutiliser ultérieurement.
11. Replacer les grilles des brûleurs.
12. Réinstaller le tiroir de remisage. Voir la section "Réinstallation des grilles du four et du tiroir de remisage ou du tiroir-réchaud" pour les instructions.
13. Réinstaller la porte du four. Voir la section "Porte du four" dans le Guide d'utilisation et d'entretien.
14. Achever l'installation. Voir les sections "Raccordement à la canalisation de gaz" et "Système d'allumage électronique".
Il est très important de vérifier que les flammes de brûleur de la table de cuisson sont correctes. Le petit cône intérieur doit comporter une flamme bleue très nette de ¼" à ½" de longueur. Le cône extérieur de la flamme n'est pas aussi net que le cône intérieur. Les flammes d'un brûleur alimenté au gaz naturel ne comportent pas de pointe jaune.
IMPORTANT : Il peut être nécessaire de modifier le réglage des flammes pour la position du débit thermique minimum, pour chaque brûleur de la table de cuisson.