

THANK YOU for purchasing this high-quality product. Register your range at www.jennair.com. In Canada, register your range at www.jennair.ca.

For future reference, please make a note of your product model and serial numbers. These can be found on the label located on the oven frame behind the top right side of the oven door.

Model Number _____ Serial Number _____

Para una versión de estas instrucciones en español, visite www.jennair.com.

Deberá tener a mano el número de modelo y de serie, que están ubicados en el marco del horno, detrás del lado derecho superior de la puerta del horno.

Table of Contents

RANGE SAFETY	2
The Anti-Tip Bracket	2
KEY USAGE TIPS	4
AquaLift® Self-Cleaning Technology	4
Surface Temperatures	4
Preheating	4
Ceramic Glass Cooktop Cleaning	4
FEATURE GUIDE	5
Electronic Oven Controls	7
COOKTOP	9
Cookware	12
Home Canning	13
OVEN	13
Aluminum Foil	13
Positioning Racks and Bakeware	13
Roll-Out Rack	14
Oven Vent	15
Sabbath Mode	15
Baking and Roasting	15
Broiling	16
Convection Cooking	16
Proofing Bread	16
Favorite	17
Cook Time	17
Baking Drawer	18
Oven Light	18
RANGE CARE	19
Clean Cycle	19
General Cleaning	20
Remove/Replace Drawer	21
PROBLEM SOLVER	22
ACCESSORIES	24
WARRANTY	25

Range Safety

Your safety and the safety of others are very important.

We have provided many important safety messages in this manual and on your appliance. Always read and obey all safety messages.



This is the safety alert symbol.

This symbol alerts you to potential hazards that can kill or hurt you and others.

All safety messages will follow the safety alert symbol and either the word "DANGER" or "WARNING."

These words mean:

⚠ DANGER

You can be killed or seriously injured if you don't immediately follow instructions.

⚠ WARNING

You can be killed or seriously injured if you don't follow instructions.

All safety messages will tell you what the potential hazard is, tell you how to reduce the chance of injury, and tell you what can happen if the instructions are not followed.

The Anti-Tip Bracket

The range will not tip during normal use. However, the range can tip if you apply too much force or weight to the open door without having the anti-tip bracket fastened down properly.



⚠ WARNING

Tip Over Hazard

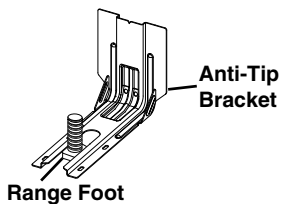
A child or adult can tip the range and be killed.

Verify the anti-tip bracket has been properly installed and engaged per installation instructions.

Re-engage anti-tip bracket if range is moved.

Do not operate range without anti-tip bracket installed and engaged.

Failure to follow these instructions can result in death or serious burns to children and adults.



To verify the anti-tip bracket is installed and engaged:

- Slide range forward.
- Look for the anti-tip bracket securely attached to floor or wall.
- Slide range back so rear range foot is under anti-tip bracket.
- See installation instructions for details.

State of California Proposition 65 Warnings:

WARNING: This product contains one or more chemicals known to the State of California to cause cancer.

WARNING: This product contains one or more chemicals known to the State of California to cause birth defects or other reproductive harm.

IMPORTANT SAFETY INSTRUCTIONS

WARNING: To reduce the risk of fire, electrical shock, injury to persons, or damage when using the range, follow basic precautions, including the following:

- **WARNING:** TO REDUCE THE RISK OF TIPPING OF THE RANGE, THE RANGE MUST BE SECURED BY PROPERLY INSTALLED ANTI-TIP DEVICES. TO CHECK IF THE DEVICES ARE INSTALLED PROPERLY, SLIDE RANGE FORWARD, LOOK FOR ANTI-TIP BRACKET SECURELY ATTACHED TO FLOOR OR WALL, AND SLIDE RANGE BACK SO REAR RANGE FOOT IS UNDER ANTI-TIP BRACKET.
- **CAUTION:** Do not store items of interest to children in cabinets above a range or on the backguard of a range – children climbing on the range to reach items could be seriously injured.
- Proper Installation – Be sure the range is properly installed and grounded by a qualified technician.
- Never Use the Range for Warming or Heating the Room.
- Do Not Leave Children Alone – Children should not be left alone or unattended in area where the range is in use. They should never be allowed to sit or stand on any part of the range.
- Wear Proper Apparel – Loose-fitting or hanging garments should never be worn while using the range.
- User Servicing – Do not repair or replace any part of the range unless specifically recommended in the manual. All other servicing should be referred to a qualified technician.
- Storage in or on the Range – Flammable materials should not be stored in an oven or near surface units.
- Do Not Use Water on Grease Fires – Smother fire or flame or use dry chemical or foam-type extinguisher.
- Use Only Dry Potholders – Moist or damp potholders on hot surfaces may result in burns from steam. Do not let potholder touch hot heating elements. Do not use a towel or other bulky cloth.
- DO NOT TOUCH SURFACE UNITS OR AREAS NEAR UNITS – Surface units may be hot even though they are dark in color. Areas near surface units may become hot enough to cause burns. During and after use, do not touch, or let clothing or other flammable materials contact surface units or areas near units until they have had sufficient time to cool. Among those areas are the cooktop and surfaces facing the cooktop.
- Use Proper Pan Size – The range is equipped with one or more surface units of different size. Select utensils having flat bottoms large enough to cover the surface unit heating element. The use of undersized utensils will expose a portion of the heating element to direct contact and may result in ignition of clothing. Proper relationship of utensil to burner will also improve efficiency.
- Never Leave Surface Units Unattended at High Heat Settings – Boilover causes smoking and greasy spillovers that may ignite.
- Make Sure Reflector Pans or Drip Bowls Are in Place – Absence of these pans or bowls during cooking may subject wiring or components underneath to damage.

- Protective Liners – Do not use aluminum foil to line surface unit drip bowls or oven bottoms, except as suggested in the manual. Improper installation of these liners may result in a risk of electric shock, or fire.
- Glazed Cooking Utensils – Only certain types of glass, glass/ceramic, ceramic, earthenware, or other glazed utensils are suitable for range-top service without breaking due to the sudden change in temperature.
- Utensil Handles Should Be Turned Inward and Not Extend Over Adjacent Surface Units – To reduce the risk of burns, ignition of flammable materials, and spillage due to unintentional contact with the utensil, the handle of a utensil should be positioned so that it is turned inward, and does not extend over adjacent surface units.
- Do Not Soak Removable Heating Elements – Heating elements should never be immersed in water.
- Do Not Cook on Broken Cooktop – If cooktop should break, cleaning solutions and spillovers may penetrate the broken cooktop and create a risk of electric shock. Contact a qualified technician immediately.
- Clean Cooktop With Caution – If a wet sponge or cloth is used to wipe spills on a hot cooking area, be careful to avoid steam burn. Some cleaners can produce noxious fumes if applied to a hot surface.
- Use Care When Opening Door – Let hot air or steam escape before removing or replacing food.
- Do Not Heat Unopened Food Containers – Build-up of pressure may cause container to burst and result in injury.
- Keep Oven Vent Ducts Unobstructed.
- Placement of Oven Racks – Always place oven racks in desired location while oven is cool. If rack must be moved while oven is hot, do not let potholder contact hot heating element in oven.
- DO NOT TOUCH HEATING ELEMENTS OR INTERIOR SURFACES OF OVEN – Heating elements may be hot even though they are dark in color. Interior surfaces of an oven become hot enough to cause burns. During and after use, do not touch, or let clothing or other flammable materials contact heating elements or interior surfaces of oven until they have had sufficient time to cool. Other surfaces of the appliance may become hot enough to cause burns – among these surfaces are oven vent openings and surfaces near these openings, oven doors, and windows of oven doors.

For self-cleaning ranges –

- Do Not Clean Door Gasket – The door gasket is essential for a good seal. Care should be taken not to rub, damage, or move the gasket.
- Do Not Use Oven Cleaners – No commercial oven cleaner or oven liner protective coating of any kind should be used in or around any part of the oven.
- Clean Only Parts Listed in Manual.
- Before Self-Cleaning the Oven – Remove broiler pan and other utensils.

For units with ventilating hood –

- Clean Ventilating Hoods Frequently – Grease should not be allowed to accumulate on hood or filter.
- When flambeing foods under the hood, turn the fan on.

SAVE THESE INSTRUCTIONS

Key Usage Tips

AquaLift® Self-Cleaning Technology



AquaLift® Self-Cleaning Technology is a first-of-its-kind cleaning solution designed to minimize the time, temperature, and odors that ordinarily come with traditional self-cleaning methods. With AquaLift® Self-Cleaning Technology, an exclusive coating on the interior of the oven is activated with heat and water to release baked-on soil. To use AquaLift® Self-Cleaning Technology, simply wipe out loose debris, pour water into the oven bottom, and run the AquaLift® Self-Cleaning cycle. When the cycle finishes in under 1 hour at a lower temperature than traditional self-cleaning methods, just wipe out the remaining water and loose debris. See the "Clean Cycle" section for more detailed instructions. For additional information, frequently asked questions and videos on using AquaLift® Self-Cleaning Technology, visit our website at <http://whr.pl.com/aqualift>.

Surface Temperatures

When the range is in use, all range surfaces may become hot, such as the knobs and oven door.

Baking Drawer

When the oven is in use, the drawer may become hot. Do not store plastics, cloth, or other items that could melt or burn in the drawer.

Oven Vent

The oven vent releases hot air and moisture from the oven, and should not be blocked or covered. Do not set plastics, paper or other items that could melt or burn near the oven vent.

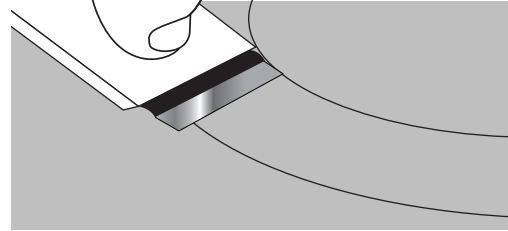
Preheating

When beginning a Bake, Convection Bake or Convection Roast cycle, the oven will begin preheating after Start is pressed. The oven will take approximately 12-15 minutes to reach 350°F (177°C) with all of the oven racks provided with your oven inside the oven cavity. Higher temperatures will take longer to preheat. The preheat cycle rapidly increases the oven temperature. The actual oven temperature will go above your set temperature to offset the heat lost when your oven door is opened to insert food. This ensures that when you place your food in the oven, the oven will begin at the proper temperature. Insert your food when the preheat tone sounds. Do not open the door during preheat before the tone sounds.

Ceramic Glass Cooktop Cleaning

To avoid damaging the cooktop, do not use steel wool, abrasive powder cleansers, chlorine bleach, rust remover or ammonia.

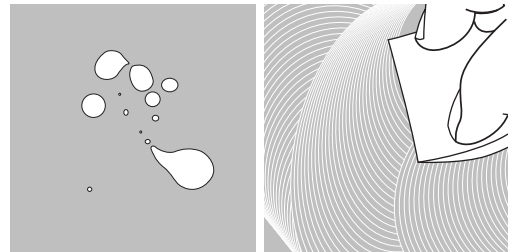
1. Remove food/residue with the Cooktop Scraper.



- For best results, use the Cooktop Scraper while the cooktop is still warm, but not hot to the touch. It is recommended to wear an oven mitt while scraping the warm cooktop.
- Hold the Cooktop Scraper at approximately a 45° angle against the glass surface and scrape the residue. It will be necessary to apply pressure in order to remove the residue.

Allow the cooktop to cool down completely before proceeding to Step 2.

2. Apply a few dime-sized drops of affresh® Cooktop Cleaner to the affected areas.



- Rub affresh® Cooktop Cleaner onto the cooktop surface with the blue Cooktop Cleaning Pad. Some pressure is needed to remove stubborn stains.
 - Allow the cleaner to dry to a white haze before proceeding to Step 3.
3. Polish with a clean, dry cloth or a clean, dry paper towel.



- Repeat steps 1-3 as necessary for stubborn or burned-on stains.

The Complete Cooktop Cleaner Kit is available for order including the following:

- Cooktop Scraper
- affresh® Cooktop Cleaner
- Blue Cooktop Cleaning Pads

See the "Accessories" section for ordering information and part numbers.

Feature Guide

This manual covers several models. Your model may have some or all of the items listed. Refer to this manual or the Product Help section of our website at www.jennair.com for more detailed instructions. In Canada, refer to the Product Help Section at www.jennair.ca.

⚠ WARNING

Food Poisoning Hazard

Do not let food sit in oven more than one hour before or after cooking.

Doing so can result in food poisoning or sickness.



KEYPAD	FEATURE	INSTRUCTIONS
OPTIONS/CLOCK	Clock	The Clock can use a 12- or 24-hour cycle. See the “Electronic Oven Control” section. <ol style="list-style-type: none"> 1. Press OPTIONS/CLOCK until “CLOCK” is displayed. 2. Press START to change the time. 3. Press “3” for AM or “6” for PM. 4. Use the number keypad to set the time of day. 5. Press OPTIONS/CLOCK or START to save the setting.
OPTIONS/CLOCK	Settings	Enables you to personalize the audible tones and oven operation to suit your needs. See the “Electronic Oven Control” section.
LIGHT	Oven cavity light	The oven light is controlled by a keypad on the oven control panel. While the oven door is closed, press the oven light keypad to turn the light on and off. When the oven door is opened, the oven light will automatically come on.
TIMER (Set/Off)	Oven timer	The Timer can be set in hours or minutes up to 9 hours and 59 minutes. <ol style="list-style-type: none"> 1. Press TIMER SET/OFF. 2. Press the number keypads to set the length of time in hr-min-min. Leading zeroes do not have to be entered. For example, for 2 minutes, enter “2.” 3. Press TIMER SET/OFF to begin the countdown. If enabled, one tone will sound at end of countdown. 4. Press TIMER SET/OFF again to cancel the Timer and return to the time of day. Do not press the Cancel keypad because the oven will turn off. 5. If the Timer is running, but not in the display, press TIMER SET/OFF to display the countdown for 5 seconds.
START	Cooking start	The Start keypad begins any oven function. If Start is not pressed within 2 minutes after pressing a keypad, the function is canceled and the time of day is displayed.
CANCEL UPPER CANCEL LOWER	Range function	The Cancel keypads stop any function for the appropriate oven except the Clock and Timer.
BAKE (upper and lower oven)	Baking and roasting	<ol style="list-style-type: none"> 1. Press BAKE for the desired oven. 2. Set the desired temperature between 170°F (75°C) and 500°F (260°C) for the upper oven or 170°F (75°C) and 450°F (232°C) for the lower oven using the number keypads. The default temperature is 350°F (180°C). 3. Press START. 4. To change the temperature, repeat steps 2 and 3. 5. Press CANCEL for the desired oven when finished.

KEYPAD	FEATURE	INSTRUCTIONS
BROIL	Broiling	<ol style="list-style-type: none"> 1. Press BROIL. 2. Press the number keypads to set the desired temperature. 3. Press START and allow the oven to preheat for 2 minutes. 4. To change the temperature, repeat steps 2 and 3. 5. Position the cookware in the oven and close the door. 6. Press CANCEL UPPER when finished.
MANUAL CONVECT MODES	Convection cooking	<ol style="list-style-type: none"> 1. Press MANUAL CONVECT MODES until the desired convection mode appears in the display. 2. Press START. 3. Press the number keypads to set the desired temperature. 4. Press START. 5. Insert food when prompted. 6. To change the temperature, repeat steps 3 and 4. 7. Press CANCEL UPPER when finished.
AUTO CONVECT MODES	Convection cooking	<ol style="list-style-type: none"> 1. Press AUTO CONVECT MODES until the desired convection mode appears in the display. 2. Press START. 3. Press the number keypads to set the desired temperature. 4. Press START. 5. Press the number keypads to set the desired cook time. 6. Press START. 7. Insert food when prompted. 8. To change the temperature, repeat steps 3-6. 9. Press CANCEL UPPER when finished.
KEEP WARM (upper and lower oven)	Hold warm	<p>Food must be at serving temperature before placing it in the warmed oven.</p> <ol style="list-style-type: none"> 1. Press KEEP WARM for the desired oven. 2. Set the desired temperature between 145°F (63°C) and 190°F (88°C) using the number keypads. The default temperature is 170°F (75°C). 3. Press START. 4. To change the temperature, repeat steps 2 and 3. 5. Press CANCEL for the desired oven when finished.
PROOF	Proofing Bread	<ol style="list-style-type: none"> 1. Place prepared dough in oven. Press PROOF. 2. Press START. Let the dough rise until nearly doubled in size. Proofing time may vary depending on dough type and quantity. 3. Press CANCEL UPPER when finished proofing. Refer to the "Proofing Bread" section for more information.
FAVORITE	Saved favorite	The Favorite keypad stores the oven mode, cook time, and temperature for your favorite recipe. To save or use favorite, see the "Favorite" section.
DELAY START	Delayed start	The Delay Start keypad is used to enter the starting time for an oven function with a delayed start. Delay Start should not be used for foods such as breads and cakes because they may not bake properly. To set a Timed Cook or a Delayed Timed Cook, see "Cook Time" section.
COOK TIME	Timed cooking	Timed Cooking allows the oven to be set to turn on at a certain time of day, cook for a set length of time, and/or shut off automatically. To set a Timed Cook or a Delayed Timed Cook, see "Cook Time" section.
AQUALIFT SELF CLEAN	Clean cycle	See the "Clean Cycle" section.
START (hold 3 sec to lock)	Oven control lockout	<ol style="list-style-type: none"> 1. Check that the oven is off. 2. Press and hold START (hold 3 sec to lock) for 3 seconds. 3. A tone will sound, and "Control Locked" will scroll, then "Locked" will be displayed. 4. Repeat to unlock. No keypads will function with the controls locked. The cooktop functions are not affected by the oven control lockout.

KEYPAD	FEATURE	INSTRUCTIONS
ENERGY SAVE	Puts the range into sleep mode to reduce energy usage	Press and hold OPTIONS/CLOCK for 3 seconds to change status. The display will scroll "Energy saver on" or "Energy saver off." If Energy Save is on, the range will go into sleep mode after 5 minutes of inactivity. Any key press will activate the display. If Energy Save is off, the display will be on at all times.

Electronic Oven Controls

Control Display

The display will flash when powered up or after a power loss. Press CANCEL UPPER to clear. When the oven is not in use, the time of day is displayed. If the range is in Energy Save mode, the display will be blank when not in use.

Tones

Tones are audible signals, indicating the following:

One tone

- Valid pad press
- Oven is preheated (long tone)
- Function has been entered
- Reminder, repeating each minute after the end-of-cycle tones

Three tones

- Invalid pad press

Four tones

- End of cycle

Use the Options/Clock key to change the tone settings.

Energy Save

The Energy Save mode puts the range into sleep mode and reduces energy consumption.

To Activate the Energy Save Mode:

1. Press and hold OPTIONS/CLOCK for 3 seconds. "Energy saver on." will appear in the display.
2. The setting will be activated after 5 minutes.

To Deactivate the Energy Save Mode:

1. Press and hold OPTIONS/CLOCK for 3 seconds. "Energy saver off." will appear in the display.
2. The clock will reappear in the display, and the range can be operated as usual.

Settings

Many features of the oven control can be adjusted to meet your personal needs. These changes are made using the Options/Clock key.

Use the Options/Clock key to scroll through the features that can be changed. Each press of the Options/Clock key will advance the display to the next setting. After selecting the feature to be changed, the control will prompt you for the required input. After the setting is saved by pressing Start, press CANCEL UPPER to exit Settings and display the time of day. Details of all of the feature changes are explained in the following sections.

Press CANCEL UPPER to exit Settings.

Clock

The Clock can use a 12- or 24-hour cycle.

1. Press OPTIONS/CLOCK until "CLOCK" is displayed.
2. Press START to change the time.
3. Press "3" for AM or "6" for PM.
4. Use the number keypad to set the time of day.
5. Press OPTIONS/CLOCK or START to save the setting.
6. Press CANCEL UPPER to exit and display the time of day.

Fahrenheit and Celsius

The temperature is preset at Fahrenheit, but can be changed to Celsius.

1. Press OPTIONS/CLOCK until "TEMP UNIT" is displayed.
2. The current setting will be displayed.
3. Press the "1" keypad to adjust the setting.
4. Press START or CANCEL UPPER to exit and display the time of day.

Audible Tones Disable

Turns off all tones, including the end of cycle tone and key press tones. Reminder tones are still active when all tones are disabled.

1. Press OPTIONS/CLOCK until "SOUND" is displayed.
2. The current setting will be displayed.
3. Press the "1" keypad to adjust the setting.
4. Press START or CANCEL UPPER to exit and display the time of day.

Sound Volume

Sets the pitch of the tone to either high or low.

1. Press OPTIONS/CLOCK until "SOUND VOLUME" is displayed.
2. The current setting will be displayed.
3. Press the "1" keypad to adjust the setting.
4. Press START or CANCEL UPPER to exit and display the time of day.

End of Cycle Tone

Activates or turns off the tones that sound at the end of a cycle.

1. Press OPTIONS/CLOCK until "END TONE" is displayed.
2. The current setting will be displayed.
3. Press the "1" keypad to adjust the setting.
4. Press START or CANCEL UPPER to exit and display the time of day.

Key Press Tones

Activates or turns off the tones when a keypad is pressed.

1. Press OPTIONS/CLOCK until "KEYPRESS TONE" is displayed.
2. The current setting will be displayed.
3. Press the "1" keypad to adjust the setting.
4. Press START or CANCEL UPPER to exit and display the time of day.

Reminder Tones Disable

Turns off the short repeating tone that sounds every 1 minute after the end of cycle tones.

1. Press OPTIONS/CLOCK until "REMINDER TONE" is displayed.
2. The current setting will be displayed.
3. Press the "1" keypad to adjust the setting.
4. Press START or CANCEL UPPER to exit and display the time of day.

12/24 Hour Clock

1. Press OPTIONS/CLOCK until "12/24 HOUR" is displayed.
2. The current setting will be displayed.
3. Press the "1" keypad to adjust the setting.
4. Press START or CANCEL UPPER to exit and display the time of day.

Demo Mode

IMPORTANT: This feature is intended for use on the sales floor with 120 V power connection and permits the control features to be demonstrated without heating elements or burners turning on. If this feature is activated, the oven will not work.

1. Press OPTIONS/CLOCK until "DEMO MODE" is displayed.
2. The current setting will be displayed.
3. Press the "1" keypad to adjust the setting.
4. Press START or CANCEL UPPER to exit and display the time of day.

Sabbath Mode

The Sabbath Mode sets the oven to remain on in a bake setting until turned off.

When the Sabbath Mode is set, only the Bake cycle will operate. All other cooking and cleaning cycles are disabled. No tones will sound, and the displays will not indicate temperature changes.

When the oven door is opened or closed, the oven light will not turn on or off and the heating elements will not turn on or off immediately.

To Enable Sabbath Mode Capability (one time only):

1. Press OPTIONS/CLOCK until "SABBATH" is displayed.
2. The current setting will be displayed.
3. Press the "1" keypad to adjust the setting.
4. Press START to save the setting.
5. Press START or CANCEL UPPER to exit and display the time of day.

12-Hour Shutoff

The oven control is set to automatically shut off the oven 12 hours after the oven initiates a cook or clean function. This will not interfere with any timed or delay cook functions.

1. Press OPTIONS/CLOCK until "12Hr AUTO_OFF" is displayed.
2. The current setting will be displayed.
3. Press the "1" keypad to adjust the setting.
4. Press START or CANCEL UPPER to exit and display the time of day.

Languages - Scrolling Display Text

Language options are English, Spanish and French.

1. Press OPTIONS/CLOCK until "LANGUAGE" is displayed.
2. The current setting will be displayed.
3. Press the "1" or "2" keypads to select the desired language.
4. Press START or CANCEL UPPER to exit and display the time of day.

Oven Temperature Offset Control

IMPORTANT: Do not use a thermometer to measure oven temperature. Elements will cycle on and off as needed to provide consistent temperature but may run slightly hot or cool at any point in time due to this cycling. Most thermometers are slow to react to temperature change and will not provide an accurate reading due to this cycling.

The oven provides accurate temperatures; however, it may cook faster or slower than your previous oven, so the temperature can be adjusted to personalize it for your cooking needs. It can be changed to Fahrenheit or Celsius.

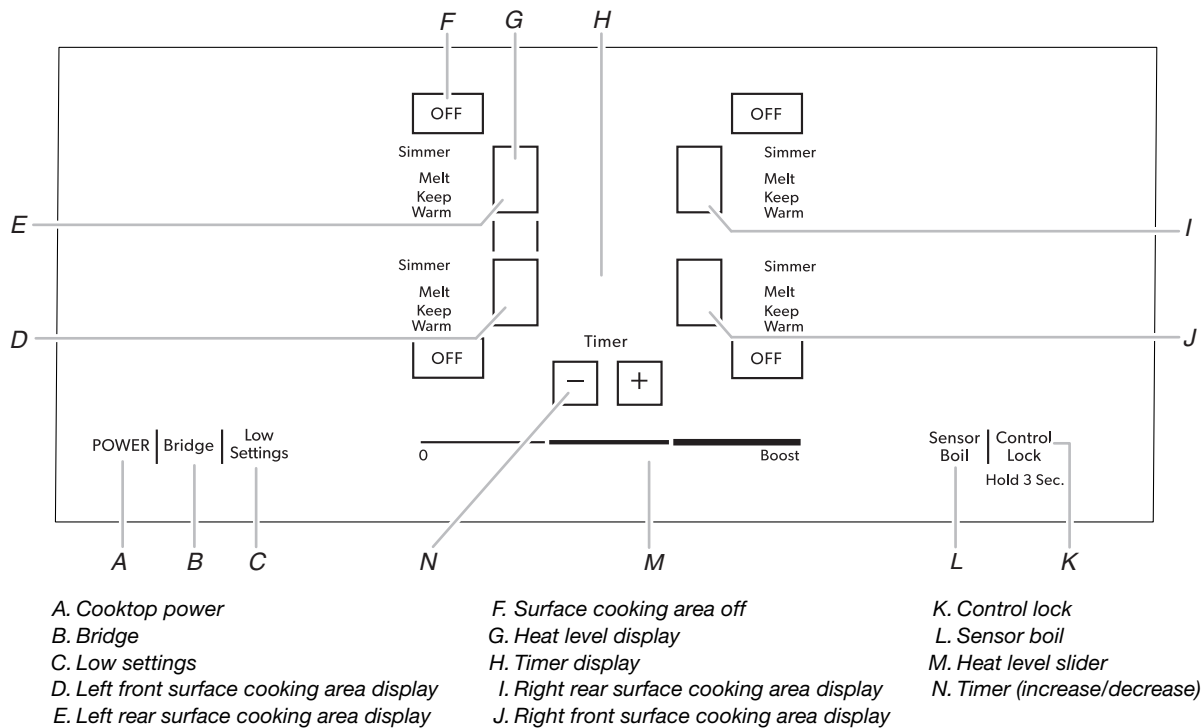
To Adjust Oven Temperature:

1. Press OPTIONS/CLOCK until "TEMP CALIB" is displayed.
2. (On some models) Press "1" to adjust the drawer temperature calibration. Press START, wait 10 seconds for the display to change, and then continue with Step 3.

OR

Press START to adjust the oven temperature calibration. Wait 10 seconds for the display to change then continue with Step 3.

3. Press the "3" keypad to increase the temperature in 5°F (3°C) increments, or press the "6" keypad to decrease the temperature in 5°F (3°C) increments. The range is from -30°F to +30°F (-18°C to +18°C).
4. Press START or CANCEL UPPER to exit and display the time of day.



Induction Cooking

Induction cooking is quite different from traditional forms of cooking. The heat is generated directly in the pan, keeping the cooking surface cooler than with a traditional element.

Induction cooking does not lose as much heat as traditional forms because all the heat is created in the pan itself.

The cooktop heats up or cools down quickly after the controls are set. It also stops heating when the pan is removed without turning off the power.

Food spilled on the cooktop surface will not burn because the glass is not heated. Induction cooking allows for immediate cleaning after use because the heat is created in the pan.


Pan size, material (see “Cookware” section), and positioning are very important to achieve maximum wattage.

The diameter of the pan’s base should be equal to the size of the element.

If the pan is too small, the burner does not sense the pan and will not activate.

Cooktop Controls

! WARNING



Fire Hazard

Turn off all controls when done cooking.
 Failure to do so can result in death or fire.

The touch-activated electronic controls offer a variety of heat settings for optimal cooking results. When melting foods such as chocolate or butter, the surface cooking area can be set to the Melt and Hold function for minimal surface cooking area operation.

For maximum surface cooking area operation, all cooktop touch-activated electronic controls can be set to Performance boost function when bringing liquids to a fast and rapid boil. Select the desired surface cooking area, then press “Boost” to immediately reach the highest setting.

NOTE: Where 240V installation is not available, this cooktop will automatically adjust to 208V operation.

Cooktop Control Lock:

The cooktop can be locked to avoid unintended use. To lock the control panel, press and hold CONTROL LOCK for 3 seconds. An indicator light above Control Lock will turn on. To unlock the control panel, press and hold CONTROL LOCK for 3 seconds. The indicator light will turn off, and the cooktop is ready for use.

To Use

To Turn On the Cooktop:

1. Press POWER.

The indicator light above the Power keypad and a dash (“-”) in each surface cooking area will light to indicate that each surface cooking area is ready to be activated.

Inactivity for 60 seconds after the main power has been turned on will automatically turn off the power to the cooktop.

If a cooking function or the power slider is touched without first selecting a surface cooking area, all dashes (one for each zone) will flash and an invalid tone will sound 4 times.

To Turn on a Surface Cooking Area:

2. Touch directly on the display area for the surface cooking area you want to use. See D, E, I and J of previous illustration.

The current power level and indicator light will flash for 10 seconds then remain on.

Touching any other feature or the power slider stops the flashing, and information for the keypad that was touched will be displayed.

When a surface cooking area is left at the “0” power level for 30 seconds, the surface cooking area will automatically turn off and display only the middle dash without the indicator light.

3. Select a heat setting from 1 - 9 by touching/sliding on the power slider. The heat setting will appear in the surface cooking area display.

The power slider consists of 9 positions plus a “Boost” position. When the user slides to 0, “0” will be displayed. The surface cooking area will not turn on but remains active/selected.

When a surface cooking area is left at the “0” power level for 30 seconds, the zone will automatically turn off and display only the middle dash without the indicator light.

IMPORTANT: The heat setting for an active cooking area may be adjusted by a hand or cooking utensil above the heat level slider even if there is no contact with the cooktop glass. A beep will sound only if the slider moves to “0” or “Boost,” or if the cooking area is turned off.

Use the following chart as a guide when setting heat levels.

SETTING	RECOMMENDED USE
9 - Boost	■ Bring liquid to a boil.
9	■ Start food cooking.
7 - 8	■ Quickly brown or sear food.
6 - 7	■ Hold a rapid boil.
5 - 6	■ Fry poultry or meat. ■ Cook soups, sauces and gravies.
4 - 5	■ Maintain a slow boil. ■ Stew or steam food.
3 - 5	■ Simmer
1 - 2	■ Keep cooked food warm. ■ Melt chocolate or butter.
Simmer	■ Maintain a slow boil.

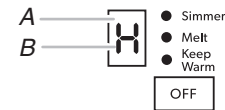
Touching the TIMER “+” or “-” keypad will turn the timer on. “01” appears in the timer display, and the timer can be set if desired.

To Turn Off:

1. Touch OFF to turn off desired surface cooking area. One tone will sound when Off is pressed.
2. Touch POWER to turn off the cooktop when finished.

Hot Surface Indicator

An “H” will appear in the heat setting display of a surface cooking area that is too hot to touch, even after that surface cooking area is turned off.



A. Heat setting display
B. Hot surface indicator “H”

If the cooktop is on when a power failure occurs, the Hot Surface Indicator “H” will remain on up to 45 minutes after the power is restored to the cooktop.

Sensor Boil (Right Front Cooking Area)

The Sensor Boil function automatically selects the ideal power level to boil water and has an audible beep when boiling is reached. Sensor Boil is available only on the right front cooking area.

When using Sensor Boil:

- Use only water at room temperature.
- Do not add salt or any other ingredients to water until boiling is reached.
- Do not use a lid on a pot while using the Sensor Boil function.
- Do not use the Sensor Boil function if the surface cooking area is hot. “H” will appear in the display when the surface cooking area is hot.
- Do not change the power level or move the pot.
- Fill the pot at least one-third of the way full with at least 4 cups (946 mL) of water but not up to the brim. Do not use Sensor Boil with more than approximately 7 qt (7 L).
- For best results, use pots with a diameter between 9½" (24 cm) and 11" (28 cm).
- Do not use pressure cookers.
- The quality of the cookware being used may affect the performance of the Sensor Boil function.

To Use:

To Turn On:

1. Touch the display area for the right front surface cooking area to select it.
2. Put the pot on the right front surface cooking area for sensor boiling.
3. Touch SENSOR BOIL. “A” will appear in the display, and the indicator light next to Sensor Boil will light.

When the boiling point is reached, the cooktop will beep 3 times at regular intervals. After the second set of beeps, a minute counter will start counting the boiling time automatically. After the third set of beeps, the cooktop will automatically switch to a lower power level suitable to maintain the boil.

To Turn Off:

Sensor Boil can be turned off in 3 different ways:

1. Use the power slider to set to a heat level.
OR
2. Touch the surface cooking area OFF keypad.
OR
3. Select a different cooking function.

NOTE: The cooktop manages the Sensor Boil and Performance Boost functions automatically. In some cases, it may not be able to use the Sensor Boil and Performance Boost functions simultaneously.

Low Settings

The Simmer function can be used on all surface cooking areas.

The Low Settings function can be used with all surface cooking areas. Low Settings can be used on more than 1 surface cooking area at a time.

The Low Settings function allows you to select the Simmer, Melt or Keep Warm functions for a specific surface cooking area.

To Use

To Turn On:

1. Touch the display area for the desired surface cooking area to select it.
2. Touch LOW SETTINGS. "A" will appear in the display for the surface cooking area selected.
3. Press LOW SETTINGS until an indicator light next to the desired function is lit: Simmer, Melt or Keep Warm.
The timer remains visible and can be set if desired.

To Turn Off:

Low Settings can be turned off in 3 different ways:

1. Use the power slider to set to a heat level.
OR
2. Touch the surface cooking area OFF keypad.
OR
3. Select a different cooking function.

Bridge

The Bridge function can be activated when surface cooking areas are on or when they are off. The Bridge function allows you to use 2 cooking zones as an extra-large cooking zone.

To Turn On the Bridge:

1. Touch BRIDGE.
The indicator light above the Bridge keypad will light. The heat setting levels for the 2 left surface cooking areas will default to "0" and can be set from a minimum of "1" to a maximum of "9." If the cooktop timer was active, it will turn off.
2. Slide a finger on the Heat Level Slider to change the power level up or down.
The selected heat level will show in the heat level display for each surface cooking area using the bridge.

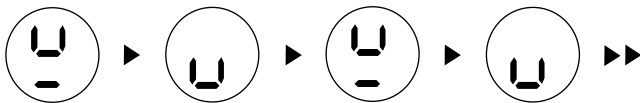
To Turn Off the Bridge:

1. Touch BRIDGE.
The surface cooking areas will resume operation as 2 separate areas.

NOTE: Performance Boost cannot be used on the same elements in combination when the Bridge function.

Pan Detection

If the system cannot recognize the pan, or if the pan has been removed from the surface cooking area, the "replace pan" animation appears in the cooking area display as a reminder. See the following illustration.



If the pan is not placed within 30 seconds, the zone(s) will switch Off.

If a Timer is running when a pan is removed, the countdown will continue.

Control Lock

The Control Lock avoids unintended use of the surface cooking areas.

If Control Lock is activated when power to the cooktop is off, the cooktop is locked out, and the surface cooking areas cannot be turned on by the cooktop touch controls.

If Control Lock is activated when power to the cooktop is on, all keypads are locked out except for the Power and Off keypads.

To Lock Cooktop:

Touch and hold the LOCK keypad for 3 seconds. After 3 seconds, a tone will sound and the indicator light above the Lock keypad will light, indicating that the cooktop controls are in the lockout position.

If the cooktop is in use when Control Lock is activated, cooking will proceed as normal and any timers that have been set will continue their countdown.

To Unlock Cooktop:

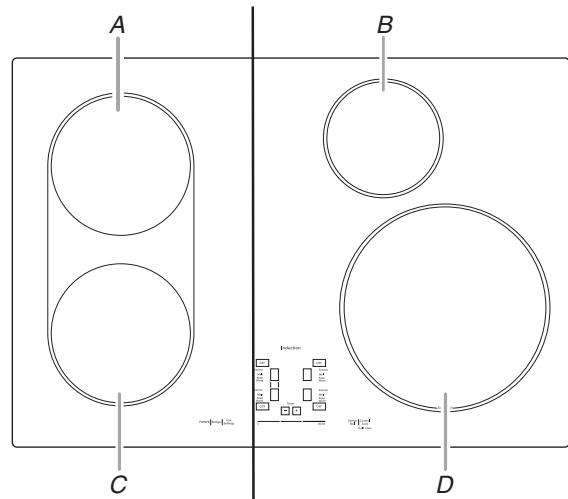
Touch and hold the LOCK keypad for 3 seconds.

Performance Boost Function

This function allows you to increase the heat setting level above the maximum heat setting 9 for 10 minutes or less.

NOTES:

Performance Boost function is available on only 1 surface cooking area at a time within a zone. See the following illustrations for zones.



Zone 1

Zone 2

A. Surface cooking area 1

B. Surface cooking area 2

C. Surface cooking area 3

D. Surface cooking area 4

If you attempt to use Performance Boost on more than one surface cooking area in the same zone, "P" will briefly flash in the display, and the first surface cooking area selected for Performance Boost will automatically be set back to the highest power available setting. The last surface cooking area selected will be set to Performance Boost.

1. Check that a surface cooking area has been selected.
2. Touch BOOST. "P" will appear in the display.
3. Touch BOOST keypad when finished. The "P" will no longer be visible in the display, and the Performance boost function will no longer be active. The surface cooking area turns back to the highest available power level.

NOTE: The Performance boost function may automatically deactivate to keep the internal electronic components of the cooktop from becoming too hot.

Timer

Use the cooking timer to set times up to 90 minutes. The timer is independent of any other control settings. A cooktop element must be active in order for the cooktop timer to be used.

To Use:

1. Touch TIMER “+” or “-.” “01” appears in the timer display.
2. Touch TIMER “+” to increase the time in 1-minute increments.
or
Touch TIMER “-” to decrease the time in 1-minute increments.
3. The timer will start to count down after a few seconds.
To change the time, touch TIMER “+” or TIMER “-.”
4. When the countdown is finished, “00” flashes and a tone will sound.

NOTE: When the power is restored after an outage, the timer will no longer be running.

Tones

Tones are audible signals, indicating the following:

One tone

- Valid pad press
- Slider is moved to “0” power level
- Slider is moved to “Boost” power level

Three tones

- End of Timer cycle

Four tones

- Invalid pad press

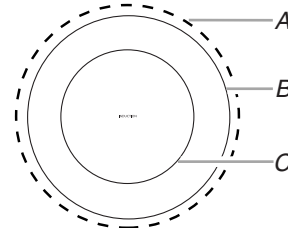
Ceramic Glass

Clean the cooktop after each use to help avoid scratches, pitting, abrasions and to condition the glass surface. Ceramic glass cooktop cleaner and a cooktop scraper are also recommended for stubborn soils. Do not use abrasive cleaners, cleaning pads or harsh chemicals for cleaning. The Cooktop Care Kit Part Number 31605 contains all of the items needed to clean and condition your ceramic glass cooktop. Refer to the “Range Care” section for additional information.

IMPORTANT: To avoid permanent damage to the cooktop surface and to make soils easier to remove, clean the cooktop after each use to remove all soils.

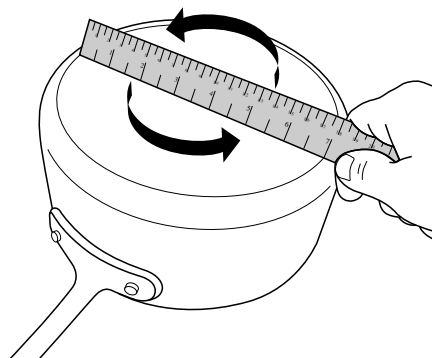
- Avoid storing jars or cans above the cooktop. Dropping a heavy or hard object onto the cooktop could crack the cooktop.
- To avoid damage to the cooktop, do not leave a hot lid on the cooktop. As the cooktop cools, air can become trapped between the lid and the cooktop, and the ceramic glass could break when the lid is removed.
- For foods containing sugar in any form, clean up all spills and soils as soon as possible. Allow the cooktop to cool down slightly. Then, while wearing oven mitts, remove the spills while the surface is still warm. If sugary spills are allowed to cool down, they can adhere to the cooktop and can cause pitting and permanent marks.
- To avoid scratches, do not slide cookware or bakeware across the cooktop.
- To avoid damage to the cooktop, do not allow objects that could melt, such as plastic or aluminum foil, to touch any part of the entire cooktop.
- To avoid damage to the cooktop, do not use the cooktop as a cutting board.

- Use cookware about the same size as the surface cooking area. Cookware should not extend more than ½" (1.3 cm) outside the area. Minimum pan size is also noted on the cooktop with the inner ring, if applicable.



A. ½" (1.3 cm) Maximum overhang
B. Outer edge of cooktop
C. Minimum pan size, if applicable

- Use flat-bottomed cookware for best heat conduction and energy efficiency. Cookware with rounded, warped, ribbed or dented bottoms could cause uneven heating and poor cooking results.
- Determine flatness by placing the straight edge of a ruler across the bottom of the cookware. While you rotate the ruler, no space or light should be visible between it and the cookware.



- To determine which pan to use on which induction element, measure the bottom of the flat area of your pan. Do not include the sides if they curve up. Use this measurement to help determine which induction element would best fit your pan. Manufacturer measurements listed on pans are usually for the top opening dimension. The flat bottom may be smaller.
- Make sure the bottoms of pots and pans are clean and dry before using them. Residue and water can leave deposits when heated.

Cookware

IMPORTANT: This range has induction cooktop elements. Pan size, material and positioning are very important to achieve the best results. See “Induction Cooking” in the “Cooktop Use” section before using the cooktop.

Only ferromagnetic pans can be used for induction cooking.

Ferromagnetic materials include:

- Enameled steel
- Cast iron
- Stainless steel designed for induction cooking

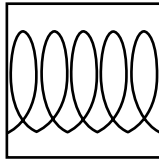
Non-ferromagnetic materials include:

These types of pans will not work with induction cooking.

- Stainless steel
- Glass
- Ceramic
- Copper or aluminum pans

To find out whether your pans can be used with an induction cooktop, flip the pan over, hold a magnet to the bottom of the pan, and see whether it sticks. If the magnet sticks to the bottom of the pan, the pan is ferromagnetic and can be used for induction cooking.

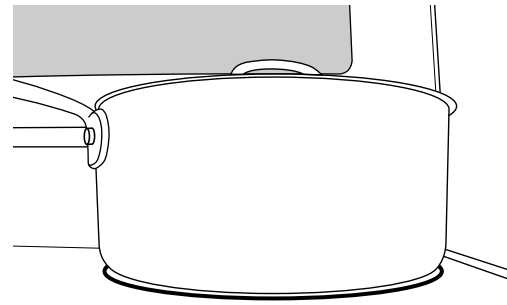
In addition, many manufacturers are now placing an “induction compatible” symbol on the bottom of their cookware, or they will note compatibility on their packaging. See the following symbol.



The number on the surface cooking area heat setting display will flash if no pan is placed on the surface cooking area, or the pan is not made of the right material, or it is not the right size. It will stop flashing once a suitable pan is placed on the surface cooking area. If you take longer than 30 seconds to place the correct pan on the surface cooking area, the surface cooking area will turn off. If there is no activity for 90 seconds, the cooktop will turn off.

Ideal cookware should have a flat bottom, straight sides and a well-fitting lid, and the material should be of medium-to-heavy thickness.

Choose the correct pan size for each surface cooking area. The diameter of the pan's base should correspond to the size of the surface cooking area.



NOTE: Cookware manufacturers often give the diameter across the top of the pan. This is usually larger than the diameter of the base.

Pans with rough finishes may scratch the cooktop.

Home Canning

Canning can be performed on the induction cooktop. See the “Cookware” section to check if the canner will work on the induction cooktop. When canning for long periods, alternate the use of surface cooking areas or elements between batches. This allows time for the most recently used areas to cool.

- Center the canner on the largest surface cooking area or element. On electric cooktops, canners should not extend more than ½" (1.3 cm) beyond the surface cooking area or element.
- Do not place canner on 2 surface cooking areas or elements at the same time.
- On ceramic glass models, use only flat-bottomed canners to avoid damage to the cooktop and elements.
- For more information, contact your local agricultural extension office, or refer to published home canning guides. Companies that manufacture home canning products can also offer assistance.

Oven

Odors and smoke are normal when the oven is used the first few times or when it is heavily soiled.

IMPORTANT: The health of some birds is extremely sensitive to the fumes given off by the oven. Exposure to the fumes may result in death to certain birds. Always move birds to another closed and well-ventilated room.

Aluminum Foil

IMPORTANT: To avoid permanent damage to the oven bottom finish, do not line the oven bottom with any type of foil or liner.

For best cooking results, do not cover entire oven rack with foil because air must be able to move freely.

Positioning Racks and Bakeware

IMPORTANT: To avoid permanent damage to the porcelain finish, do not place food or bakeware directly on the oven door or bottom.

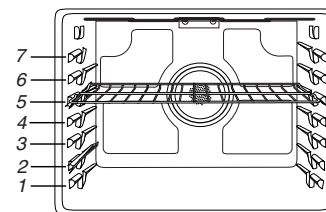
Bakeware

To cook food evenly, hot air must be able to circulate. Allow 2" (5 cm) of space around bakeware and oven walls. Make sure that no bakeware piece is directly over another.

Racks

- Position racks before turning on the oven.
- Do not move racks with bakeware on them.
- Make sure racks are level.

To move a rack, pull it out to the stop position, raise the front edge, and then lift out. Use the following illustration and charts as a guide.

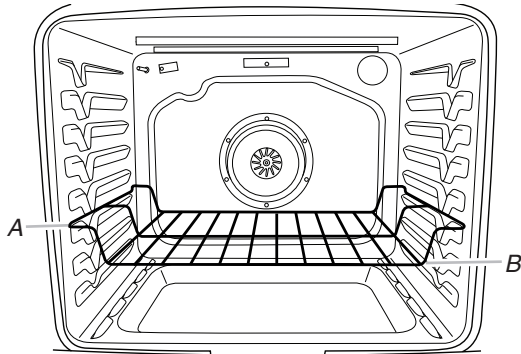


The oven has 7 positions for a flat rack, as shown in the previous illustration and the following table.

Flat Rack Position*	Type of Food
7	Broiling/searing meats, hamburgers, steaks
6	Broiled meats, poultry, fish
3 or 4	Most baked goods, casseroles, frozen foods
2	Roasted meats
1	Large roasts or poultry

For hamburger patties to have a well-seared exterior and a rare interior, use a flat rack in rack position 7. Side 1 should cook for approximately 2½ - 3½ minutes. Side 2 should cook for approximately 4-5 minutes. Expect a moderate degree of smoke when broiling.

*If your model has a Max Capacity Oven Rack, the recessed ends must be placed in the rack position above the desired position of the food. See the following illustration.



A. Ends of rack in position 3
B. Food in position 2

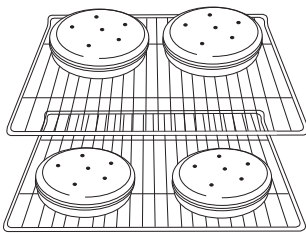
IMPORTANT: These rack positions are for flat racks. If a Max Capacity Oven Rack is used, the rack position must be adjusted as shown in the previous figure.

Multiple Rack Cooking

- 2-rack (non-convection): Use rack positions 2 and 5 or 3 and 6.
- 2-rack (convection): Use rack positions 2 and 5 or 3 and 6.
- 3-rack (convection): Use a flat rack in rack positions 2 and 7 and a Max Capacity Oven Rack in rack position 5.

Baking Cookies and Layer Cakes on 2 Racks

Baking Layer Cakes
For best results when baking cakes on 2 racks, use the Bake function, a flat rack in rack position 3 and a roll-out rack in rack position 5. Place the cakes on the racks as shown. Keep at least 3" (7.6 cm) of space between the front of the racks and the front cakes.



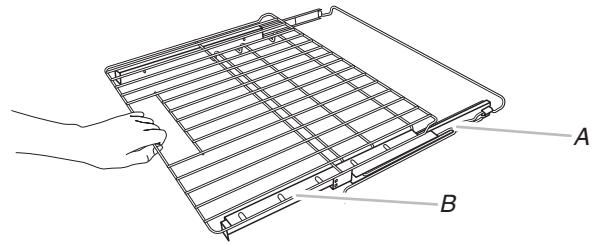
Baking Cookies

For best results when baking cookies on 2 racks, use the Convection Bake function, a flat rack in rack position 3 and a roll-out rack in rack position 5.

Roll-Out Rack

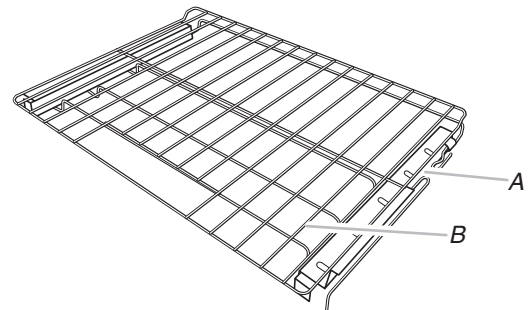
The roll-out rack allows easy access to position and remove food in the oven. It is not recommended to use the roll-out rack in the top rack, position 7, or the bottom rack, position 1.

Open Position



A. Rack frame
B. Sliding rack

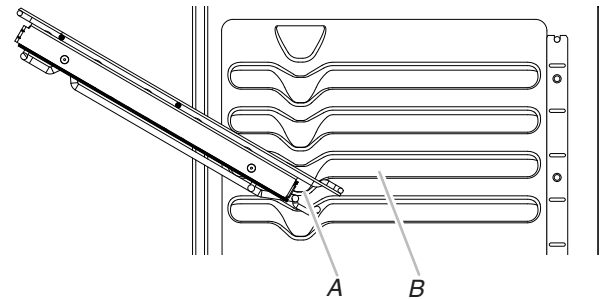
Closed and Engaged Position



A. Rack frame
B. Sliding rack

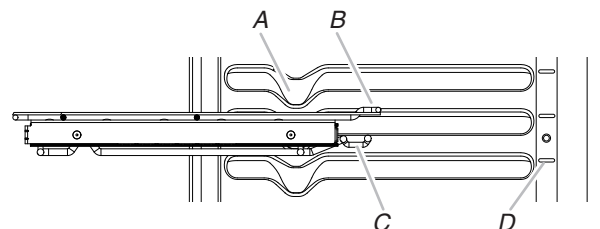
To Insert Roll-Out Rack

1. Angle the front of the rack assembly up and insert the rack frame into the "V" cutout in the rack guides of the oven cavity.



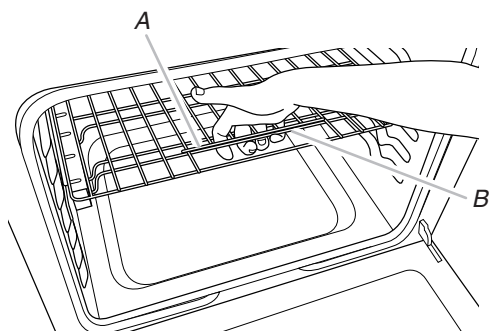
A. "V" cutout
B. Rack guides

2. Keep rack assembly lifted up at an angle and push in to bypass the lower "V" cutout.
3. Lower the front of the rack assembly and gently slide rack assembly into oven, bypassing the "V" cutouts. Push the rack assembly into the oven until it stops at the ladder in the back of the oven.



A. "V" cutout
B. Rack guides
C. Ladder hook
D. Ladder

- Reach through the rack to hold the sliding rack and the front crossbar. Lift the front of the rack assembly and push the rack assembly to the back of the oven. Lower the front of the rack assembly so the ladder hook engages with the ladder on both sides of the oven.



A. Sliding rack
B. Front crossbar

To Remove Roll-out Rack

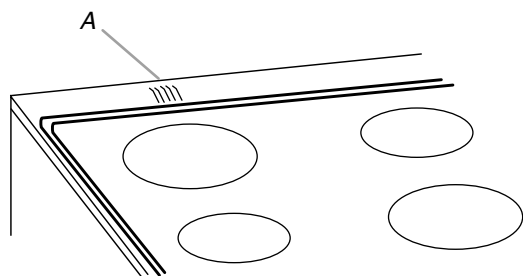
- Push the sliding rack in completely so that it is in the closed and engaged position.
- Reach through the rack to hold the sliding rack and the front crossbar. Lift the front of the rack assembly to disengage the ladder hook from the ladders at the rear of the oven, and pull the rack assembly forward.
- Using 2 hands, gently pull the sliding rack and the rack frame at the same time to the "V" cutout. Angle the rack so that the front is higher than the back, and gently pull rack past "V" cutout and then out of the oven.

To avoid damage to the sliding rack, do not place more than 25 lbs (11.4 kg) on the rack.

Do not clean the roll-out rack in a dishwasher. It may remove the rack's lubricant and affect its ability to slide.

See the "General Cleaning" section for more information.

Oven Vent



A. Oven vent

The oven vent releases hot air and moisture from the oven, and should not be blocked or covered. Blocking or covering the vent will cause poor air circulation, affecting cooking and cleaning results. Do not set plastics, paper or other items that could melt or burn near the oven vent.

Sabbath Mode

The Sabbath Mode sets the oven to remain on in a bake setting until turned off.

When the Sabbath Mode is set, only the Bake cycle will operate. All other cooking and cleaning cycles are disabled. No tones will sound, and the displays will not indicate temperature changes.

When the oven door is opened or closed, the oven light will not turn on or off and the heating elements will not turn on or off immediately.

To Enable Sabbath Mode Capability (one time only):

- Press OPTIONS/CLOCK until "SABBATH" is displayed. "OFF. Press (1) for On" will scroll in the display.
- Press the "1" keypad. "ON. Press (1) for Off" will scroll in the display. Sabbath Mode can be activated for baking.
- Press START to save the setting.
- Press CANCEL UPPER to exit and display the time of day.

NOTE: To disable the Sabbath Mode, repeat steps 1-4 to change the status from "SABBATH ON" to "SABBATH OFF."

To Activate Sabbath Mode:

- Press BAKE for the desired oven.
- Press the number keypad to set a temperature other than 350°F (177°C).
- Press START.
For timed cooking in Sabbath Mode, press COOK TIME, then the number keypad to set the desired cook time.
- Press OPTIONS/CLOCK. Three tones will sound. Then press "7." "SAB" will appear in the display.

To Adjust Temperature (when Sabbath Mode is running):

- Press the number keypad as instructed by the scrolling text to select the new temperature.
NOTE: The temperature adjustment will not appear on the display. The scrolling text will be shown on the display as it was before the keypad was pressed.
- Press START.

To Deactivate Sabbath Mode:

Press OPTIONS/CLOCK, then press "7" to return to regular baking or press CANCEL for the desired oven to turn off the range.

Baking and Roasting

Preheating

When beginning a Bake, Convect Bake or Convect Roast cycle, the oven will begin preheating after Start is pressed. The oven will take approximately 12-15 minutes to reach 350°F (177°C) with all of the oven racks provided with your oven inside the oven cavity. Higher temperatures will take longer to preheat. The preheat cycle rapidly increases the oven temperature. The actual oven temperature will go above your set temperature to offset the heat lost when your oven door is opened to insert food. This ensures that when you place your food in the oven, the oven will begin at the proper temperature. Insert your food when the preheat tone sounds. Do not open the door during preheat before the tone sounds.

Oven Temperature

While in use, the oven elements will cycle on and off as needed to maintain a consistent temperature, but they may run slightly hot or cool at any point in time due to this cycling. Opening the oven door while in use will release the hot air and cool the oven which could impact the cooking time and performance. It is recommended to use the oven light to monitor cooking progress.

NOTE: On models with convection, the convection fan may run in the non-convection bake mode to improve oven performance.

Temperature Management System

The Temperature Management System electronically regulates the oven heat levels during preheat and bake to maintain a precise temperature range for optimal cooking results. The bake and broil elements or burners cycle on and off in intervals. On convection range models, the fan will run while preheating and may be cycled on and off for short intervals during Bake to provide the best results. This feature is automatically activated when the oven is in use.

Before baking and roasting, position racks according to “Positioning Racks and Bakeware” section. When roasting, it is not necessary to wait for the oven preheat cycle to end before putting food in unless it is recommended in the recipe.

Broiling

When broiling, preheat the oven for 2 minutes before putting food in unless recommended otherwise in the recipe. Position food on grid in a broiler pan, then place it in the center of the oven rack.

IMPORTANT: Close the door to ensure proper broiling temperature.

Changing the temperature when broiling allows more precise control when cooking. The lower the broil setting, the slower the cooking. Thicker cuts and unevenly shaped pieces of meat, fish and poultry may cook better at lower broil settings. Use racks 6 or 7 for broiling. Refer to the “Positioning Racks and Bakeware” section for more information.

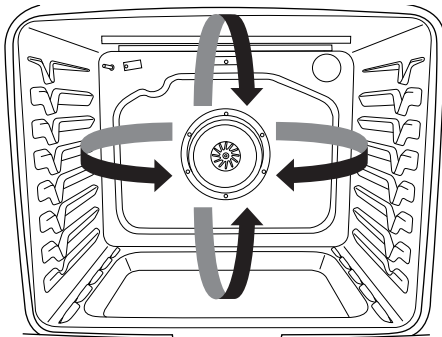
On lower settings, the broil element will cycle on and off to maintain the proper temperature.

- For best results, use a broiler pan and grid. It is designed to drain juices and help avoid spatter and smoke.

If you would like to purchase a broiler pan, one may be ordered. See the “Accessories” section.

Convection Cooking

In a convection oven, the fan-circulated hot air continually distributes heat more evenly than the natural movement of air in a standard thermal oven. This movement of hot air helps maintain a consistent temperature throughout the oven, cooking foods more evenly, crisping surfaces while sealing in moisture and yielding crustier breads.



During convection baking or roasting, the bake, broil and convection elements cycle on and off in intervals while the fan circulates the hot air. During convection broiling, the broil and convection elements cycle on and off.

If the oven door is opened during convection cooking, the fan will turn off immediately. It will come back on when the oven door is closed.

With convection cooking, most foods can be cooked at a lower temperature and/or a shorter cooking time than in a standard thermal oven. When using Manual Convection Modes, reduce the time and temperature when setting the oven. Use the following chart as a guide.

Convection Mode	Time/Temp. Guidelines
Convection Bake	25°F (15°C) lower temperature, possible shortened cooking time
Convection Roast	Cooking time shortened by up to 30%
Convection Broil	Shortened cooking time

When using Auto Convection Modes, the oven will automatically adjust the time and temperature for the selected mode.

Convection Modes:

Manual Convection Modes:

Convection Bake - Multiple-rack baking or cookies, biscuits, breads, casseroles, tarts, tortes, cakes.

Convection Roast - Whole chicken or turkey, vegetables, pork roasts, beef roasts.

Convection Broil - Thicker cuts or unevenly shaped pieces of meat, fish or poultry.

Auto Convection Modes:

Meats - Chicken: whole and pieces; meat loaf; roasts: pork, beef, ham.

Baked Goods - Biscuits, quick breads, yeast breads, cakes, cookies, casseroles.

Others - Frozen convenience foods: french fries, nuggets, fish sticks, lasagna, pizza.

Proofing Bread

Proofing bread prepares the dough for baking by activating the yeast. Follow the recipe directions as a guide. Proof should be used for fresh dough, thawed dough, and for the first and second rise.

To Proof:

Before first proofing, place the dough in a lightly greased bowl and cover loosely with wax paper, coated with shortening. Place on rack guide 2 and close the oven door.

NOTE: If the temperature of the oven is greater than 100°F (38°C), “oven cooling” will be displayed until the temperature is less than 100°F (38°C).

1. Press PROOF.
2. Press START.

Let the dough rise until nearly doubled in size. Proofing time may vary depending on dough type and quantity.

3. Press CANCEL UPPER when finished proofing.

Before second proofing, shape the dough, place it in baking pan(s) and cover loosely. Follow the same placement and control steps above. Before baking, remove the cover.

NOTE: If the oven temperature is greater than 100°F (38°C), the display will indicate “oven cooling” until the temperature is below 100°F (38°C).

Favorite

Favorite stores the oven mode and temperature for your favorite recipe. Favorite can be stored for either the upper oven or the lower oven (baking drawer).

To Save a Recipe:

1. While the oven is being used for Bake, Broil, Convection Bake, Convection Roast or Convection Broil, press FAVORITE.
2. The current oven mode, cook time and temperature will be displayed. "SAVED" will be displayed. The recipe has been saved.

NOTE: Only one recipe can be saved at a time. Saving a new recipe will overwrite a previously saved recipe.

To Select the Favorite Recipe:

1. Press FAVORITE. The saved oven mode and temperature will be displayed.

NOTE: Favorite does not store cook times.

2. Press START.
3. Once the recipe is selected, oven will begin preheating to the set program.
4. To change the temperature, press the number keypads to set the desired temperature.
5. Press START.
6. To change the cook time, press COOK TIME.
7. Press the number keypads to set the desired cook time.
8. Press START.
9. Press CANCEL when finished cooking.

Cook Time

WARNING

Food Poisoning Hazard

Do not let food sit in oven more than one hour before or after cooking.

Doing so can result in food poisoning or sickness.

To Set a Timed Cook:

1. Press BAKE, BROIL or press AUTO CONVECT MODES, MANUAL CONVECT MODES until the desired convection mode appears on the display.
2. Press the number keypads to enter a temperature other than the one displayed.
3. Press COOK TIME. The cook time oven indicator light will light up.
4. Press the number keypads to enter the length of time to cook.
5. Press START. The display will count down the time. When the time ends, the oven will shut off automatically.
6. Press CANCEL for the desired oven to clear the display.

To Set a Delayed Timed Cook:

1. Press BAKE, BROIL or press AUTO CONVECT MODES, MANUAL CONVECT MODES until the desired convection mode appears on the display.
2. Press the number keypads to enter a temperature other than the one displayed.
3. Press COOK TIME. The cook time oven indicator light will light up.
4. Press number keypads to enter the length of time to cook.
5. Press DELAY START.
6. Press number keypads to enter the number of hours and/or minutes you want to delay the start time.
7. Press START.

When the start time is reached, the oven will automatically turn on. The temperature and/or time settings can be changed anytime after pressing Start by repeating steps 2-7. When the set cook time ends, the oven will shut off automatically.

8. Press CANCEL for the desired oven to clear the display.

Baking Drawer

! WARNING

Food Poisoning Hazard

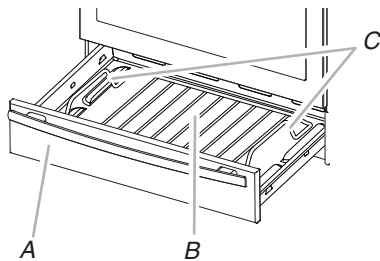
Do not let food sit for more than one hour before or after cooking.

Doing so can result in food poisoning or sickness.

The Baking Drawer is highly recommended for baking frozen foods. Use the temperature and medium cook time given on the frozen food packaging. For example, if the packaging suggests a cook time of 15-20 minutes, set the cook time for 17 minutes. Check food for doneness before removing from the Baking Drawer.

The Baking Drawer may also be used for conventional baking and keeping hot cooked foods warm. It is not recommended to prepare foods taller than the height of the baking drawer rack handles or foods that may rise above 2½" (6.4 cm) in the Baking Drawer.

IMPORTANT: Always use the baking drawer rack when using the Baking Drawer.



A. Baking drawer
B. Baking drawer rack
C. Baking drawer rack handles

See the "General Cleaning" section for more information.

To Bake with the Baking Drawer:

1. Press LOWER OVEN BAKE.
2. Set the desired temperature between 170°F (75°C) and 449°F (232°C) using the number keypads. The default temperature is 350°F (180°C).
3. Press START.
4. To change the temperature, repeat steps 2 and 3. Press START or wait for the change to take effect.
5. Press CANCEL LOWER when finished.
6. Remove food from the drawer.

To Keep Warm with the Baking Drawer:

Food must be at serving temperature before placing it in the warmed drawer.

1. Place food in the baking drawer.
2. Press LOWER OVEN KEEP WARM.
3. Set the desired temperature between 145°F (63°C) and 190°F (88°C) using the number keypads. The default temperature is 170°F (75°C).
4. Press START.
5. Press CANCEL LOWER when finished.
6. Remove food from the baking drawer.

Oven Light

The oven light is a standard 40-watt appliance bulb. Before replacing, make sure the oven and cooktop are cool and the control knobs are in the off position.

To Replace:

1. Unplug range or disconnect power.
2. Turn the glass bulb cover in the back of the oven counterclockwise to remove.
3. Turn bulb counterclockwise to remove from socket.
4. Replace bulb, then bulb cover by turning clockwise.
5. Plug in range or reconnect power.

Clean Cycle

AquaLift®

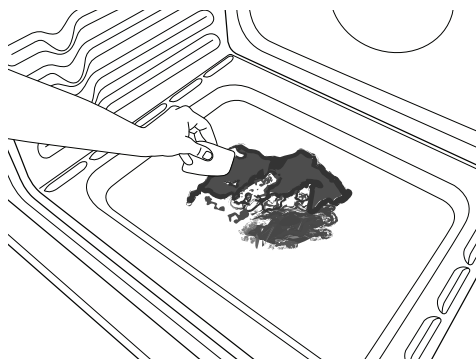
Self-Cleaning Technology

AquaLift® Technology is an innovative cleaning solution that utilizes heat and water to release baked-on spills from the oven in less than 1 hour. This new cleaning technology is a low-heat, odor-free alternative to traditional self-cleaning options.

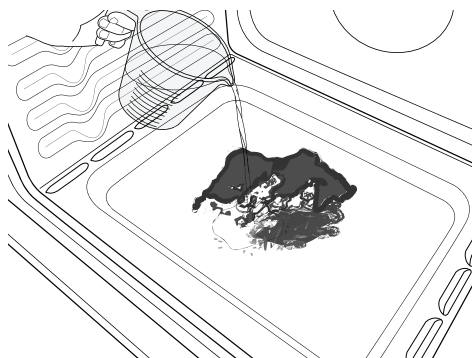
Allow the oven to cool to room temperature before using the Clean cycle. If your oven cavity is above 200°F (93°C), "Oven Cooling" will appear in the display, and the Clean cycle will not be activated until the oven cavity cools down.

To Clean:

1. Remove all racks and accessories from the oven cavity and wipe excess soil. Use a plastic scraper to remove easily-removed soils.



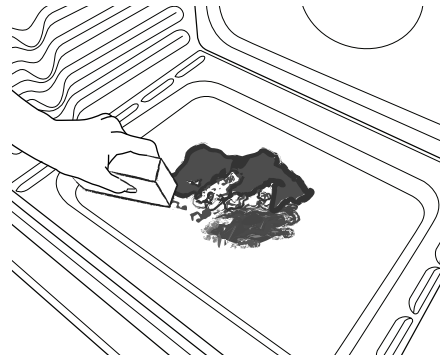
2. Pour 2 cups (16 oz [500 mL]) of distilled or filtered water onto the bottom of the empty oven and close the oven door.



IMPORTANT: Do not use chemicals or other additives with the water. Do not open the oven door during the Clean cycle. The water on the oven bottom is hot.

3. Press AQUALIFT SELF CLEAN and then START on the oven control panel.
4. Allow 40 minutes for cleaning and cool down. A beep will sound when the Clean cycle is complete.
5. Press CANCEL UPPER at the end of the cycle. Cancel Upper may be pressed at any time to stop the Clean cycle.

6. Remove the residual water and loosened soils with a sponge or cloth immediately after the Clean cycle is complete. Much of the initial 2 cups (16 oz [500 mL]) of water will remain in the oven after the cycle is completed. If additional soils remain, leave a small amount of water in the oven bottom to assist with the cleaning.



7. If any soils remain, remove them with a non-scratch scrubbing sponge or plastic scraper. Additional Clean cycles may be run to help remove the stubborn soils.

IMPORTANT: Do not use oven cleaners. The use of chemicals, including commercial oven cleaners or metal scouring pads, may cause permanent damage to the porcelain surface of the oven interior.

NOTES:

- The range should be level to ensure that the entire surface of the bottom of the oven cavity is covered by water at the beginning of the Clean cycle.
- For best results, use distilled or filtered water. Tap water may leave mineral deposits on the oven bottom.
- Before removing the residual water and loosened soils at the end of the Clean cycle, insert a cloth or paper towel between the lower edge of the oven door and the front frame to keep water from spilling onto the front of the range and the floor.
- Soil baked on through several cooking cycles will be more difficult to remove with the Clean cycle.
- Nonabrasive scrub sponges or eraser style cleaning pads (without cleaners) can be effective for cleaning the oven cavity walls, oven door and oven bottom for difficult soils. For best results, moisten the pads and sponges before use.
- Run an additional Clean cycle for stubborn soils.
- affresh® Kitchen Appliance Cleaner and affresh® Cooktop Cleaner may be used to clean the oven bottom, walls and door when the oven has finished the cycle and returned to room temperature. If affresh® Cooktop Cleaner is used, it is recommended to wipe out the cavity with distilled water as well. Refer to the "Accessories" section for information on ordering.
- Additional AquaLift® Technology Cleaning Kits may be obtained by ordering Part Number W10423113RP. See the "Accessories" section for more information.
- For assistance with AquaLift® Technology, call 1-877-258-0808 in the U.S.A. or 1-800-807-6777 in Canada, or visit our website at <http://whr.pl/aqualift>.

General Cleaning

IMPORTANT: Before cleaning, make sure all controls are off and the oven and cooktop are cool. Always follow label instructions on cleaning products. For additional information, you can visit our website at www.jennair.com. In Canada, visit our website at www.jennair.ca.

Soap, water and a soft cloth or sponge are suggested first unless otherwise noted.

EXTERIOR PORCELAIN ENAMEL SURFACES (on some models)

Food spills containing acids, such as vinegar and tomato, should be cleaned as soon as the entire range is cool. These spills may affect the finish.

Cleaning Method:

- Glass cleaner, mild liquid cleaner or nonabrasive scrubbing pad:
Gently clean around the model and serial number plate because scrubbing may remove numbers.
- affresh® Kitchen and Appliance Cleaner Part Number W10355010 (not included):
See the “Accessories” section for more information.

STAINLESS STEEL (on some models)

NOTE: To avoid damage to stainless steel surfaces, do not use soap-filled scouring pads, abrasive cleaners, Cooktop Cleaner, steel-wool pads, gritty washcloths or abrasive paper towels. Damage may occur to stainless steel surfaces, even with one-time or limited use.

Cleaning Method:

Rub in direction of grain to avoid damaging.

- affresh® Stainless Steel Cleaner Part Number W10355016:
See the “Accessories” section for more information.
- Liquid detergent or all-purpose cleaner:
Rinse with clean water and dry with soft, lint-free cloth.

METALLIC PAINT (on some models)

Do not use abrasive cleaners, cleaners with bleach, rust removers, ammonia or sodium hydroxide (lye) because paint surface may stain.

CERAMIC GLASS

Cleaning Method:

Use affresh® Cooktop Cleaner Part Number W10355051, Cooktop Cleaning Pads Part Number W10391473 and Cooktop Scraper Part Number WA906B to clean and remove stains from the cooktop. Use Cooktop Protectant Part Number 31463A regularly to avoid stain buildup, pitting and scratching, while conditioning the cooktop for easier future cleaning. These can be ordered as accessories. See “Accessories” section for more information. The Cooktop Scraper uses razor blades. Store razor blades out of the reach of children.

Do not use steel wool, abrasive powder cleansers, chlorine bleach, rust remover or ammonia because damage may occur.

Light to moderate soil

- Can be cleaned with damp paper towels or sponge. Light stains should be addressed with cleaner and cleaning pad.

Sugary spills (jellies, candy, syrup)

- Cooktop Scraper:
Scrape off sugary spills while the cooktop is still warm. You may want to wear oven mitts while cleaning the cooktop.
- affresh® Cooktop Cleaner and Cooktop Cleaning Pads:
Clean as soon as cooktop has cooled down. Rub product into surface with a Cooktop Cleaning Pad. Continue rubbing until white film disappears.

Heavy soil, dark streaks, specks and discoloration

- Clean with Cooktop Cleaner or nonabrasive cleaner and cleaning pad.

Burned-on soil

- affresh® Cooktop Cleaner or nonabrasive cleanser with Cooktop Cleaning Pads:
Clean as soon as cooktop has cooled down. Rub product into soil with a Cooktop Cleaning Pad. Continue rubbing until white film disappears.

Metal marks from aluminum and copper

- affresh® Cooktop Cleaner and Cooktop Cleaning Pads:
Clean as soon as cooktop has cooled down. Rub product into surface with a Cooktop Cleaning Pad. Continue rubbing until white film disappears. The marks will not totally disappear, but after many cleanings they will become less noticeable.

Tiny scratches and abrasions

- affresh® Cooktop Cleaner and Cooktop Cleaning Pads:
Clean as soon as cooktop has cooled down. Rub product into surface with a Cooktop Cleaning Pad. Continue rubbing until white film disappears. Scratches and abrasions do not affect cooking performance, and after many cleanings they will become less noticeable.

CONTROL PANEL AND OVEN DOOR EXTERIOR

To avoid damage to the control panel, do not use abrasive cleaners, steel-wool pads, gritty washcloths or abrasive paper towels.

Cleaning Method:

- Glass cleaner and soft cloth or sponge:
Apply glass cleaner to soft cloth or sponge, not directly on panel.
- affresh® Kitchen and Appliance Cleaner Part Number W10355010 (not included):
See the “Accessories” section for more information.

OVEN RACKS

Cleaning Method:

- Steel-wool pad
- For racks that have discolored and are harder to slide, a light coating of vegetable oil applied to the rack guides will help them slide.

BAKING DRAWER

Check that baking drawer is cool and empty before cleaning.

Baking drawer can be removed for easier cleaning. See the “Removing the Baking Drawer” section for instructions.

Food spills should be cleaned when oven cools. At high temperatures, foods react with porcelain and staining, etching, pitting or faint white spots can result.

Cleaning Method:

- Mild detergent

OVEN CAVITY

Use AquaLift® Technology regularly to clean oven spills.

Do not use oven cleaners.

Food spills should be cleaned when oven cools. At high temperatures, foods react with porcelain and staining, etching, pitting or faint white spots can result.

Cleaning Method:

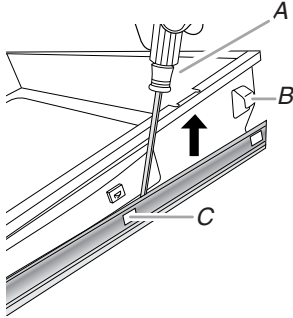
- Clean cycle: See the “Clean Cycle” section first.

Remove/Replace Drawer

Remove all items from inside the baking drawer, and allow the range to cool completely before attempting to remove the drawer.

To Remove:

1. Open the drawer to its fully open position.
2. Using a flat-blade screwdriver, gently loosen the drawer from the glide alignment notch and lift up the drawer alignment tab from the glide.

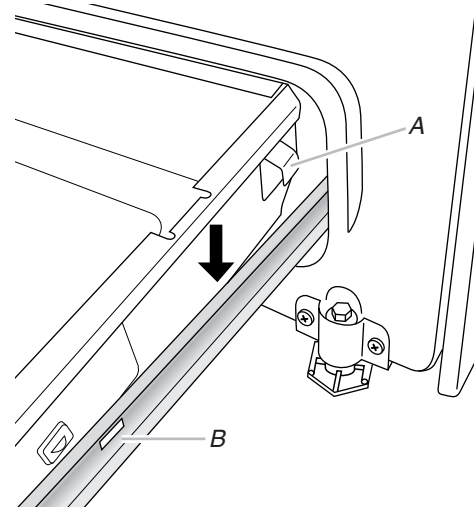


A. Flat-blade screwdriver
B. Drawer alignment tab
C. Drawer glide notch

3. Repeat Step 2 on the other side. The drawer is no longer attached to the drawer glides. Using both hands, pick up the drawer to complete the removal.

To Replace:

1. Align the forward drawer notches with the notches in the drawer glides on both sides. Place the rear alignment tabs into the drawer glides on both sides.



A. Drawer alignment tab
B. Drawer glide notch

2. Push the drawer in all the way.
3. Gently open and close the drawer to ensure it is seated properly on the glides on both sides.

Problem Solver

First try the solutions suggested here. If you need further assistance or more recommendations that may help you avoid a service call, refer to the warranty page in this manual and scan the code there with your mobile device, or visit http://www.jennair.com/product_help. In Canada, visit <http://www.jennair.ca>.

Contact us by mail with any questions or concerns at the address below:

In the U.S.A.:

Jenn-Air Brand Home Appliances
Customer eXperience Center
553 Benson Road
Benton Harbor, MI 49022-2692

In Canada:

Jenn-Air Brand Home Appliances
Customer eXperience Centre
200 - 6750 Century Ave.
Mississauga, Ontario L5N 0B7

Please include a daytime phone number in your correspondence.

Operation

PROBLEM	POSSIBLE CAUSES AND/OR SOLUTIONS
Nothing will operate	<p>Power supply cord is unplugged - Plug into a grounded outlet.</p> <p>Household fuse is blown, or a circuit breaker is tripped - Replace the fuse or reset the circuit breaker. If the problem continues, call an electrician.</p>
Cooktop will not operate	<p>The control knob is set incorrectly - Touch the display area on the control panel to select a cooking surface before selecting a function.</p> <p>The cooktop control lockout is set - See "Control Lock" in the "Cooktop Use" section.</p> <p>Cooktop is turned off - The Power key was unintentionally touched. Press POWER again. Reset the cooktop.</p>
Cooktop cooking results not what expected	<p>Improper cookware being used - See "Cookware" section.</p> <p>Cooktop control set to incorrect heat level - See "Cooktop Controls" in the "Cooktop Use" section.</p> <p>Range is not level - Level the range. See the Installation Instructions.</p>
Oven will not operate	<p>The electronic oven control was set incorrectly - See "Electronic Oven Controls" section.</p> <p>Delay Start was set - See "Cook Time" section.</p> <p>The oven control lockout is set - See the control lock keypad feature in the "Feature Guide" section.</p> <p>The range is in Demo Mode - Demo Mode will deactivate all heating elements. See "Demo Mode" in the "Electronic Oven Controls" section.</p>
Oven temperature too high or too low	<p>Oven temperature calibration needs adjustment - See "Oven Temperature Control" in the "Electronic Oven Controls" section.</p>
Oven indicator lights flash	<p>Needs service (oven indicator lights are flashing) - See "Control Display" in the "Electronic Oven Controls" section. If the indicator light(s) keeps flashing, call for service. See cover for contact information.</p>
Oven control displays messages	<p>Power failure (display shows flashing time) - Clear the display. On some models, reset the clock, if needed. See "Clock" keypad feature in the "Feature Guide" section.</p> <p>Error code (display shows letter followed by number) - Press the CANCEL keypad to clear the display. See "Control Display" in the "Electronic Oven Controls" section. If it reappears, call for service. See cover for contact information.</p>
Cooktop display shows messages	<p>Improper pan being used ("replace pan" animation showing in the display when you place a saucepan on an induction surface cooking area) - See "Pan Detection" in the "Cooktop Use" section. Check that the saucepan is ferromagnetic. Check that the diameter of the saucepan is large enough. Center the saucepan on the surface cooking area. Allow the saucepan to cool down in the event that it has become hot when used. Switch the surface cooking area off, then on again. If the display still does not light up, turn power off at the circuit breaker. Wait 20 seconds and turn power back on.</p> <p>Long cooking time (performance boost function display flashing and switching off) - The Performance boost function operates the surface cooking area with the most power. During long cooking times, it is possible that the function will switch the surface cooking area off to keep the cooktop from overheating. You can continue to use the cooktop if the display is not flashing.</p> <p>Error code (display flashing "Er" and numbers) - If an "Er" and a series of numbers appear in the display panel, turn power off at the circuit breaker. Turn on again. If problem continues, call customer service. See the cover for contact information.</p>

PROBLEM	POSSIBLE CAUSES AND/OR SOLUTIONS
Is the display flashing “F” or “C” and numbers? If “F” or “C” and a number are alternately flashing on the display, refer to the following for possible solutions:	
Cooktop has turned off and is beeping every 10 seconds.	An object, liquids or soils are putting pressure on the control panel - Thoroughly wipe or remove any object on touch keys.
F42, F43	The power voltage is too low or too high - Turn off the cooktop. Wait 5 seconds, then turn it back on. If this continues, contact a qualified electrician.
C81, C82, C83	The surface cooking area has overheated - The surface cooking area automatic shutoff was activated. Wait 5 minutes for it to cool down, then turn it back on.
F12, F21, F25, F36, F37, F40, F47, F56, F58, 560, F61, F62, F63, F64	Call for service. See the “Warranty” section for contact information.
Clean cycle did not work on all spills	Several cooking cycles between Clean cycles or spills on oven walls and doors - Run additional Clean cycles. Use the AquaLift® Technology Cleaning Kit. affresh® Kitchen and Appliance Cleaner or affresh® Cooktop Cleaner can be used for stubborn soils. See the “Accessories” section for more information.
Mineral deposits are left on the oven bottom after the Clean cycle	<p>Tap water was used in the Clean cycle - Use distilled or filtered water in the Clean cycle.</p> <p>To remove deposits, use a cloth soaked with vinegar. Then use a cloth dampened with water to thoroughly remove any vinegar residue.</p> <p>Range is not level - Mineral deposits will collect on dry areas of the oven bottom during the Clean cycle. Level the range. See the Installation Instructions.</p> <p>To remove deposits, use a cloth soaked with vinegar. Then use a cloth dampened with water to thoroughly remove any vinegar residue.</p>
Oven cooking results not what expected	<p>Range is not level - Level the range. See the Installation Instructions.</p> <p>The temperature set was incorrect - Double-check the recipe in a reliable cookbook.</p> <p>Oven temperature is calibrated incorrectly - See “Oven Temperature Offset Control” in the “Electronic Oven Controls” section.</p> <p>Oven was not preheated - See “Baking and Roasting” section.</p> <p>Racks were positioned improperly - See “Positioning Racks and Bakeware” section.</p> <p>Not enough air circulation around bakeware - See “Positioning Racks and Bakeware” section.</p> <p>Batter distributed unevenly in pan - Check that batter is level in the pan.</p> <p>Darker browning of food caused by dull or dark bakeware - Lower oven temperature 25°F (15°C), or move rack to a higher position in the oven.</p> <p>Lighter browning of food caused by shiny or light colored bakeware - Move rack to a lower position in the oven.</p> <p>Incorrect length of cooking time was used - Adjust cooking time.</p> <p>Oven door was not closed - Be sure that the bakeware does not keep the door from closing.</p> <p>Oven door was opened during cooking - Oven peeking releases oven heat and can result in longer cooking times.</p> <p>Rack is too close to bake burner, making baked items too brown on bottom - Move rack to higher position in the oven.</p> <p>Pie crusts browning too quickly - Use aluminum foil to cover the edge of the crust and/or reduce baking temperature.</p> <p>Temperature scale was changed from Fahrenheit to Celsius - Foods are overdone or burnt even at low temperatures. See “Fahrenheit and Celsius” in the “Electronic Oven Controls” section.</p>

Noises

PROBLEM	POSSIBLE CAUSES AND/OR SOLUTIONS
Operational cooktop sounds The following are some normal sounds with the explanations. These sounds are normal operational noises.	
Low humming	This occurs when cooking at high power. The cause of this is the amount of energy that is transmitted from the appliance to the cookware - This sound will quiet or go away when the power is turned down.
Crackling	Cookware is used that consists of different materials. The noise is caused by vibrations in the joint faces between the different layers - The sound may change depending on the amount and type of food being cooked.
Fan noise	The electronics require a controlled temperature in order to function reliably - The cooktop is fitted with a fan that runs at various speeds according to the temperature detected. The fan may also continue to run even after the cooktop has been switched off, if the temperature it detects is too high.

Accessories

For accessories in the U.S.A., you can visit our website at www.jennair.com or call us at **1-800-JENNAIR (1-800-536-6247)**.
In Canada, visit our website at www.jennair.ca or call us at **1-800-JENNAIR (1-800-536-6247)**.

Complete Cooktop Cleaner Kit

(ceramic glass models)
(includes cleaner, protectant, protectant applicator, scraper, and cleaner pads)
Order Part Number 31605

Cooktop Protectant

(ceramic glass models)
Order Part Number 31463A

affresh® Stainless Steel Cleaning Wipes

(stainless steel models)
Order Part Number W10355049

affresh® Cooktop Cleaner

(ceramic glass models)
Order Part Number W10355051

Cooktop Cleaning Pads

(ceramic glass models)
Order Part Number W10391473

affresh® Stainless Steel Cleaner

(stainless steel models)
Order Part Number W10355016

affresh® Kitchen and Appliance Cleaner

Order Part Number W10355010

AquaLift® Oven Cleaning Kit

Order Part Number W10423113RP

Cooktop Scraper

(ceramic glass models)
Order Part Number WA906B

Granite Cleaner and Polish

Order Part Number W10275756

Gas Grate and Drip Pan Cleaner

Order Part Number 31617A

Canning Unit Kit

(coil models)
Order Part Number 242905

Gourmet Griddle

Order Part Number W10432539

Standard Flat Oven Rack

Order Part Number W10551060

Split Oven Rack

Order Part Number 4396927

Max Capacity Oven Rack

Order Part Number W10289145

Porcelain Broiler Pan and Grid

Order Part Number 4396923

Premium Broiler Pan and Roasting Rack

Order Part Number W10123240

Trim Assembly

White - Order Part Number W10675027
Black - Order Part Number W10675026
Stainless Steel - Order Part Number W10675028

Backsplash Assembly

White - Order Part Number W10655448
Black - Order Part Number W10655449
Stainless Steel - Order Part Number W10655450

Grill Kit

Order Part Number W10432545

JENN-AIR® MAJOR APPLIANCE LIMITED WARRANTY

ATTACH YOUR RECEIPT HERE. PROOF OF PURCHASE IS REQUIRED TO OBTAIN WARRANTY SERVICE.

Please have the following information available when you call the Customer eXperience Center:

- Name, address and telephone number
- Model number and serial number
- A clear, detailed description of the problem
- Proof of purchase including dealer or retailer name and address

IF YOU NEED SERVICE:

1. Before contacting us to arrange service, please determine whether your product requires repair. Some questions can be addressed without service. Please take a few minutes to review the Troubleshooting or Problem Solver section of the Use and Care Guide, scan the QR code on the right to access additional resources, or visit <https://jennair.custhelp.com>.
2. All warranty service is provided exclusively by our authorized Jenn-Air Service Providers. In the U.S. and Canada, direct all requests for warranty service to:

Jenn-Air Customer eXperience Center
1-800-JENNAIR (1-800-536-6247)



<https://jennair.custhelp.com>

If outside the 50 United States or Canada, contact your authorized Jenn-Air dealer to determine whether another warranty applies.

ONE YEAR LIMITED WARRANTY

WHAT IS COVERED

For one year from the date of purchase, when this major appliance is installed, operated and maintained according to instructions attached to or furnished with the product, Jenn-Air brand of Whirlpool Corporation or Whirlpool Canada LP (hereafter "Jenn-Air") will pay for Factory Specified Replacement Parts and repair labor to correct defects in materials or workmanship that existed when this major appliance was purchased, or at its sole discretion replace the product. In the event of product replacement, your appliance will be warranted for the remaining term of the original unit's warranty period.

YOUR SOLE AND EXCLUSIVE REMEDY UNDER THIS LIMITED WARRANTY SHALL BE PRODUCT REPAIR AS PROVIDED HEREIN. Service must be provided by a Jenn-Air designated service company. This limited warranty is valid only in the United States or Canada and applies only when the major appliance is used in the country in which it was purchased. This limited warranty is effective from the date of original consumer purchase. Proof of original purchase date is required to obtain service under this limited warranty.

WHAT IS NOT COVERED

1. Commercial, non-residential, multiple-family use, or use inconsistent with published user, operator or installation instructions.
2. In-home instruction on how to use your product.
3. Service to correct improper product maintenance or installation, installation not in accordance with electrical or plumbing codes or correction of household electrical or plumbing (i.e. house wiring, fuses or water inlet hoses).
4. Consumable parts (i.e. light bulbs, batteries, air or water filters, preservation solutions, etc.).
5. Conversion of products from natural gas or L.P. gas.
6. Damage from accident, misuse, abuse, fire, floods, acts of God or use with products not approved by Jenn-Air.
7. Repairs to parts or systems to correct product damage or defects caused by unauthorized service, alteration or modification of the appliance.
8. Cosmetic damage including scratches, dents, chips, and other damage to the appliance finishes unless such damage results from defects in materials and workmanship and is reported to Jenn-Air within 30 days.
9. Discoloration, rust or oxidation of surfaces resulting from caustic or corrosive environments including but not limited to high salt concentrations, high moisture or humidity or exposure to chemicals.
10. Food or medicine loss due to product failure.
11. Pick-up or delivery. This product is intended for in-home repair.
12. Travel or transportation expenses for service in remote locations where an authorized Jenn-Air servicer is not available.
13. Removal or reinstallation of inaccessible appliances or built-in fixtures (i.e. trim, decorative panels, flooring, cabinetry, islands, countertops, drywall, etc.) that interfere with servicing, removal or replacement of the product.
14. Service or parts for appliances with original model/serial numbers removed, altered or not easily determined.

The cost of repair or replacement under these excluded circumstances shall be borne by the customer.

DISCLAIMER OF IMPLIED WARRANTIES

IMPLIED WARRANTIES, INCLUDING ANY IMPLIED WARRANTY OF MERCHANTABILITY OR IMPLIED WARRANTY OF FITNESS FOR A PARTICULAR PURPOSE, ARE LIMITED TO ONE YEAR OR THE SHORTEST PERIOD ALLOWED BY LAW. Some states and provinces do not allow limitations on the duration of implied warranties of merchantability or fitness, so this limitation may not apply to you. This warranty gives you specific legal rights, and you also may have other rights that vary from state to state or province to province.

DISCLAIMER OF REPRESENTATIONS OUTSIDE OF WARRANTY

Jenn-Air makes no representations about the quality, durability, or need for service or repair of this major appliance other than the representations contained in this warranty. If you want a longer or more comprehensive warranty than the limited warranty that comes with this major appliance, you should ask Jenn-Air or your retailer about buying an extended warranty.

LIMITATION OF REMEDIES; EXCLUSION OF INCIDENTAL AND CONSEQUENTIAL DAMAGES

YOUR SOLE AND EXCLUSIVE REMEDY UNDER THIS LIMITED WARRANTY SHALL BE PRODUCT REPAIR AS PROVIDED HEREIN. JENN-AIR SHALL NOT BE LIABLE FOR INCIDENTAL OR CONSEQUENTIAL DAMAGES. Some states and provinces do not allow the exclusion or limitation of incidental or consequential damages, so these limitations and exclusions may not apply to you. This warranty gives you specific legal rights, and you also may have other rights that vary from state to state or province to province.

MERCI d'avoir acheté ce produit de grande qualité. Enregistrer la cuisinière sur www.jennair.ca

Pour référence ultérieure, consignez par écrit les numéros de modèle et de série de votre produit. Vous trouverez les numéros de modèle et de série sur la plaque signalétique située sur le châssis du four, derrière la partie supérieure droite de la porte du four.

Numéro de modèle _____ Numéro de série du produit _____

Table des matières

SÉCURITÉ DE LA CUISINIÈRE	28
La bride antibasculement	28
CONSEILS ÉLÉMENTAIRES D'UTILISATION	31
Technologie d'autonettoyage AquaLift®	31
Températures en surface	31
Préchauffage	31
Nettoyage de la table de cuisson en vitrocéramique	31
GUIDE DES CARACTÉRISTIQUES	32
Commandes électroniques du four	34
TABLE DE CUISSON	36
Ustensiles de cuisson	41
Mise en conserve à la maison	41
FOUR	42
Papier d'aluminium	42
Positionnement des grilles et des ustensiles de cuisson au four	42
Grille déployante	43
Évent du four	44
Mode Sabbat	44
Cuisson au four et rôtissage	44
Cuisson au gril	45
Cuisson par convection	45
Levée du pain	45
Recette favorite	46
Durée de cuisson	46
Tiroir de cuisson	47
Lampe du four	47
ENTRETIEN DE LA CUISINIÈRE	48
Programme de nettoyage	48
Nettoyage général	49
Dépose et repose du tiroir	50
RÉSOLUTION DE PROBLÈMES	51
ACCESSOIRES	54
GARANTIE	55

Votre sécurité et celle des autres est très importante.

Nous donnons de nombreux messages de sécurité importants dans ce manuel et sur votre appareil ménager. Assurez-vous de toujours lire tous les messages de sécurité et de vous y conformer.



Voici le symbole d'alerte de sécurité.

Ce symbole d'alerte de sécurité vous signale les dangers potentiels de décès et de blessures graves à vous et à d'autres.

Tous les messages de sécurité suivront le symbole d'alerte de sécurité et le mot "DANGER" ou "AVERTISSEMENT". Ces mots signifient :

⚠ DANGER

Risque possible de décès ou de blessure grave si vous ne suivez pas immédiatement les instructions.

⚠ AVERTISSEMENT

Risque possible de décès ou de blessure grave si vous ne suivez pas les instructions.

Tous les messages de sécurité vous diront quel est le danger potentiel et vous disent comment réduire le risque de blessure et ce qui peut se produire en cas de non-respect des instructions.

La bride antibasculement

Dans les conditions de service normales, la cuisinière ne bascule pas. Elle peut cependant basculer si une force ou un poids excessif est appliqué(e) sur la porte ouverte alors que la bride antibasculement n'est pas convenablement fixée.

⚠ AVERTISSEMENT

Risque de basculement

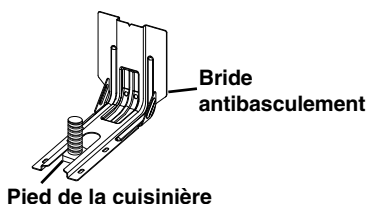
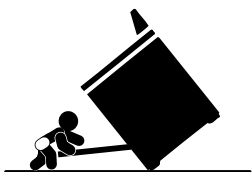
Un enfant ou une personne adulte peut faire basculer la cuisinière, ce qui peut causer un décès.

Vérifier que la bride antibasculement est bien installée et engagée, conformément aux instructions d'installation.

Réengager la bride antibasculement si la cuisinière a été déplacée.

Ne pas faire fonctionner la cuisinière si la bride antibasculement n'est pas installée et engagée.

Le non-respect de ces instructions peut causer un décès ou des brûlures graves aux enfants et aux adultes.



Pour vérifier que la bride antibasculement est bien installée et engagée :

- **Faire glisser la cuisinière vers l'avant.**
- **Vérifier que la bride antibasculement est bien fixée au plancher ou au mur.**
- **Faire de nouveau glisser la cuisinière vers l'arrière de sorte que le pied de la cuisinière se trouve sous la bride antibasculement.**
- **Voir les instructions d'installation pour plus de détails.**

Avertissements de la proposition 65 de l'État de Californie :

AVERTISSEMENT : Ce produit contient au moins un produit chimique connu par l'État de Californie pour être à l'origine de cancers.

AVERTISSEMENT : Ce produit contient au moins un produit chimique connu par l'État de Californie pour être à l'origine de malformations et autres déficiences de naissance.

IMPORTANTES INSTRUCTIONS DE SÉCURITÉ

AVERTISSEMENT : Pour réduire le risque d'incendie, de choc électrique, de blessures ou de dommages lors de l'utilisation de la cuisinière, il convient d'observer certaines précautions élémentaires dont les suivantes :

- **AVERTISSEMENT** : POUR MINIMISER LE RISQUE DE BASCULEMENT DE LA CUISINIÈRE, ELLE DOIT ÊTRE BIEN IMMOBILISÉE PAR DES DISPOSITIFS ANTIBASCULEMENT CORRECTEMENT INSTALLÉS. POUR VÉRIFIER SI LES DISPOSITIFS SONT CORRECTEMENT INSTALLÉS, GLISSER LA CUISINIÈRE VERS L'AVANT ET VÉRIFIER SI LA BRIDE ANTIBASCULEMENT EST BIEN FIXÉE AU PLANCHER OU AU MUR, ET GLISSER LA CUISINIÈRE VERS L'ARRIÈRE POUR QUE LE PIED ARRIÈRE DE LA CUISINIÈRE SOIT SOUS LA BRIDE ANTIBASCULEMENT.
- **MISE EN GARDE** : Ne pas remiser dans des armoires au-dessus de la cuisinière ou sur le dossier d'une cuisinière, des objets que des enfants pourraient vouloir atteindre. Les enfants pourraient se brûler ou se blesser en grimant sur la cuisinière.
- Installation appropriée – S'assurer que la cuisinière est correctement installée et reliée à la terre par un technicien qualifié.
- Ne jamais utiliser la cuisinière pour réchauffer ou chauffer la pièce.
- Ne pas laisser les enfants seuls – Les enfants ne doivent pas être laissés seuls ou sans surveillance dans la pièce où la cuisinière est en service. Ne jamais laisser les enfants s'asseoir ou se tenir sur une partie quelconque de la cuisinière.
- Porter des vêtements appropriés – Des vêtements amples ou détachés ne doivent jamais être portés pendant l'utilisation de la cuisinière.
- Entretien par l'utilisateur – Ne pas réparer ni remplacer toute pièce de la cuisinière si ce n'est pas spécifiquement recommandé dans le manuel. Toute autre opération d'entretien ou de réparation doit être confiée à un technicien qualifié.
- Remisage dans ou sur la cuisinière – Des matériaux inflammables ne doivent pas être remisés dans un four ou près des éléments de surface.
- Ne pas utiliser d'eau pour éteindre un feu de graisse – Éteindre le feu ou les flammes ou utiliser un extincteur à produits chimiques secs, ou un extincteur à mousse.
- N'utiliser que des mitaines sèches de four – Des mitaines de four mouillées ou humides sur des surfaces chaudes peuvent provoquer des brûlures provenant de la vapeur. Ne pas laisser les mitaines de four toucher les éléments chauffants. Ne pas utiliser une serviette ou un tissu épais.

- **NE PAS TOUCHER LES ÉLÉMENTS DE SURFACE OU L'ESPACE PRÈS DES ÉLÉMENTS** – Les éléments de surface peuvent être chauds même lorsqu'ils ont une teinte foncée. Les endroits près des éléments de surface peuvent devenir assez chauds pour causer des brûlures. Pendant et après l'utilisation, ne pas toucher les éléments chauffants et ne pas laisser les vêtements ou autres matériaux inflammables entrer en contact avec ces éléments de surface ou les endroits près des éléments, avant qu'ils soient suffisamment refroidis. Ces endroits comprennent la table de cuisson et les surfaces près de la table de la cuisson.
- Utiliser des ustensiles de dimension appropriée – La cuisinière est munie d'un ou de plusieurs éléments chauffants de différentes grandeurs. Choisir les ustensiles qui ont un fond plat assez grand pour couvrir l'élément chauffant de la surface de cuisson. L'utilisation d'ustensiles trop petits exposera une partie de l'élément chauffant, ce qui peut provoquer l'inflammation des vêtements. L'utilisation d'un récipient de dimension correcte améliore aussi l'efficacité de la cuisson.
- Ne jamais laisser les éléments de la table de cuisson sans surveillance alors qu'ils chauffent à la puissance maximale. Il pourrait en résulter une ébullition qui cause de la fumée et des renversements de corps gras qui peuvent s'enflammer.
- S'assurer que les cuvettes réfléchissantes ou les bols de renversement sont en place – L'absence de ces cuvettes ou bols au cours de la cuisson peut causer des dommages aux fils ou aux composants en dessous des éléments.
- Garnissages protecteurs – Ne pas recouvrir les cuvettes ou le fond du four de papier d'aluminium sauf tel que suggéré dans le manuel. L'installation incorrecte de papier d'aluminium ou d'autre matériau peut causer un risque de choc électrique ou d'incendie.
- Ustensiles de cuisson vitrifiés – Seulement certains types d'ustensiles de verre, vitrocéramique, céramique, faïence ou autres surfaces vitrifiées conviennent pour le service sur une table de cuisson, sans bris attribuables aux changements soudains de température.
- Les poignées des ustensiles doivent être tournées vers l'intérieur et non vers le dessus des éléments adjacents – Pour réduire le risque de brûlures, d'inflammation de produits inflammables et de renversements dus à l'entrechoquement non intentionnel des ustensiles, la poignée d'un ustensile doit être positionnée de sorte qu'elle est tournée vers l'intérieur et non au-dessus des éléments de surface adjacents.
- Ne pas tremper les éléments de chauffage amovibles – Les éléments de chauffage ne doivent jamais être immergés dans l'eau.
- Ne pas faire cuire sur une table de cuisson endommagée – Si la table de cuisson est brisée, les solutions de nettoyage et les renversements peuvent pénétrer dans la table de cuisson brisée et créer un risque d'un choc électrique. Contacter immédiatement un technicien qualifié.

CONSERVEZ CES INSTRUCTIONS

IMPORTANTES INSTRUCTIONS DE SÉCURITÉ

- Nettoyer la table de cuisson avec prudence – Si une éponge ou un chiffon mouillé est utilisé pour essuyer les renversements sur une surface de cuisson chaude, éviter les brûlures causées par la vapeur chaude. Certains nettoyants peuvent produire des émanations désagréables lorsqu'ils sont utilisés sur une surface chaude.
- Exeracer une grande prudence lors de l'ouverture de la porte – Laisser l'air chaud ou la vapeur s'échapper avant d'enlever ou de replacer un plat.
- Ne pas faire chauffer des contenants fermés – L'accumulation de pression peut causer une explosion du contenant et des blessures.
- Ne jamais obstruer les ouvertures des événements.
- Positionnement des grilles du four – Toujours placer les grilles du four en position désirée pendant que le four est froid. Si la grille doit être déplacée pendant que le four est chaud, ne pas laisser les mitaines de four toucher l'élément chaud du four.
- **NE PAS TOUCHER LES ÉLÉMENTS CHAUFFANTS OU LES SURFACES INTÉRIEURES DU FOUR** – Les éléments chauffants peuvent être chauds même s'ils ont une teinte foncée. Les surfaces intérieures d'un four deviennent assez chaudes pour causer des brûlures. Pendant et après l'utilisation, ne pas toucher ou laisser des vêtements ou autres matériaux inflammables venir en contact avec les éléments chauds ou les surfaces intérieures chaudes du four avant qu'ils aient eu assez de temps pour refroidir. D'autres surfaces de l'appareil peuvent devenir assez chaudes pour causer des brûlures. Ces surfaces comprennent les ouvertures de l'évent du four et les surfaces près de ces ouvertures, les portes du four, et les hublots des portes du four.

Pour les cuisinières avec programme d'autonettoyage –

- Ne pas nettoyer le joint de la porte – Le joint de la porte est essentiel pour l'étanchéité. Veiller à ne pas froter, endommager ou déplacer le joint.
- Ne pas utiliser des produits commerciaux de nettoyage du four – On ne doit pas utiliser un produit commercial de nettoyage de four ou un enduit de protection des surfaces internes du four quel qu'en soit le type, sur les surfaces du four ou les surfaces voisines.
- Nettoyer uniquement les pièces indiquées dans le manuel.
- Avant d'exécuter le programme d'autonettoyage du four – Ôter la lèchefrite et son plat et les autres ustensiles.

Pour les appareils avec hotte de ventilation –

- Nettoyer les hottes de ventilation fréquemment – La graisse ne doit pas s'accumuler sur la hotte ou le filtre.
- Lorsque vous flambez des aliments sous la hotte, mettre le ventilateur en marche.

CONSERVEZ CES INSTRUCTIONS

Technologie d'autonettoyage AquaLift®



La technologie d'autonettoyage AquaLift® est une solution de nettoyage inédite permettant de réduire la durée, la température et les odeurs habituellement dégagées par rapport aux méthodes d'autonettoyage traditionnelles. Avec la technologie d'autonettoyage AquaLift®, une pellicule protectrice exclusive est activée par la chaleur et l'eau à l'intérieur du four pour décoller les salissures incrustées. Pour utiliser la technologie d'autonettoyage AquaLift®, il suffit d'essuyer les débris décollés, de verser de l'eau au fond du four et de lancer le programme d'autonettoyage AquaLift®. Une fois le programme terminé, en moins de 1 heure à une température plus basse que les méthodes d'autonettoyage traditionnelles, essuyer simplement l'eau restante et les salissures décollées. Voir la section "Programme de nettoyage" pour des instructions plus détaillées. Pour plus d'informations, des réponses aux questions fréquentes et des vidéos consacrées à la technologie d'autonettoyage AquaLift®, visiter notre site Web à l'adresse <http://whr.pl.com/aqualift>

Températures en surface

Lorsque la cuisinière est en marche, toutes ses surfaces peuvent chauffer, y compris les boutons de commande et la porte du four.

Tiroir du cuisson au four

Lorsque le four est en marche, le tiroir peut chauffer. Ne pas placer d'objets en plastique, en tissu ou susceptibles de fondre ou de brûler dans le tiroir.

Évent du four

L'évent du four permet l'évacuation de l'air chaud et de l'humidité du four. Il ne doit pas être obstrué ou couvert. Ne pas placer près de l'évent du four des objets en plastique, en papier ou susceptibles de fondre ou de brûler.

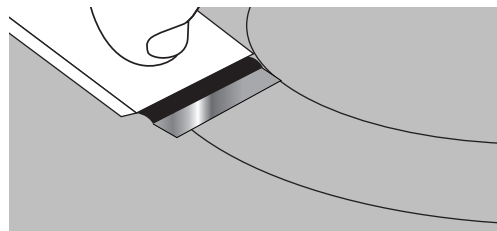
Préchauffage

Au début d'un programme de cuisson au four (Bake), de cuisson au four avec convection (Convect Bake) ou de rôtissage avec convection (Convect Roast), le four commence par un préchauffage une fois la touche Start (mise en marche) enfoncée. Le four atteint 350°F (177°C) en 12 à 15 minutes environ lorsque toutes les grilles fournies avec le four sont à l'intérieur. Pour atteindre une température plus élevée, le préchauffage est plus long. Le programme de préchauffage augmente rapidement la température du four. La température réelle du four dépasse alors la température programmée, pour compenser la chaleur perdue à l'ouverture du four pour y introduire le plat à cuire. Ainsi, le four entame la cuisson à la température correcte après y avoir placé le plat. Placer les aliments au four lorsque le signal sonore de préchauffage retentit. Ne pas ouvrir la porte du four pendant le préchauffage tant que le signal sonore n'a pas retenti.

Nettoyage de la table de cuisson en vitrocéramique

Afin d'éviter d'endommager la table de cuisson, ne pas utiliser de laine d'acier, de nettoyeurs en poudre abrasifs, d'eau de Javel, de produit antirouille ou d'ammoniaque.

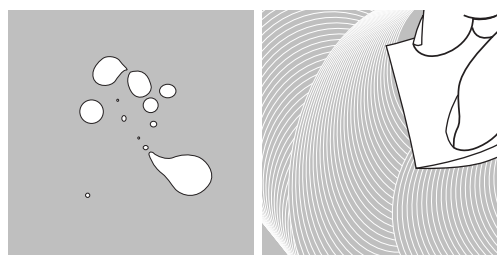
1. Éliminer les salissures alimentaires avec le grattoir pour table de cuisson.



- Pour de meilleurs résultats, utiliser le grattoir pendant que la table de cuisson est encore tiède, mais non brûlante au toucher. Il est recommandé de porter des mitaines de four pour gratter la table de cuisson tiède.
- Tenir le grattoir pour table de cuisson à un angle d'environ 45° par rapport à la surface de verre et gratter les salissures. Il convient d'appuyer fermement pour éliminer les salissures.

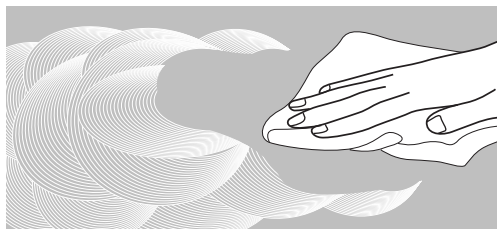
Laisser la table de cuisson refroidir complètement avant de passer à l'étape 2.

2. Appliquer quelques gouttes de nettoyant pour table de cuisson affresh® sur les zones concernées.



- Frotter le nettoyant affresh® sur la surface de la table de cuisson avec le tampon bleu de nettoyage des tables de cuisson. Il convient d'appuyer fermement pour éliminer les taches rebelles.
- Laisser le produit nettoyant sécher en une pellicule blanchâtre avant de passer à l'étape 3.

3. Faire briller avec un chiffon ou essuie-tout propre et sec.



- Répéter éventuellement les étapes 1 à 3 pour les taches les plus tenaces ou incrustées.

Le nécessaire complet de nettoyage des tables de cuisson est disponible à la commande. Il contient :

- Grattoir pour table de cuisson
- Nettoyant pour table de cuisson affresh®
- Tampons bleus de nettoyage des tables de cuisson

Consulter la section "Accessoires" pour les références et les informations de commande.

Guide des caractéristiques

Ce manuel concerne plusieurs modèles. Le modèle que vous avez peut comporter toutes les caractéristiques énumérées ou seulement certaines d'entre elles. Se reporter à ce manuel ou consulter la section du service à la clientèle sur www.jennair.ca.

⚠ AVERTISSEMENT

Risque d'empoisonnement alimentaire

Ne pas laisser des aliments dans un four plus d'une heure avant ou après la cuisson.

Le non-respect de cette instruction peut causer un empoisonnement alimentaire ou une maladie.



TOUCHE	FONCTION	INSTRUCTIONS
OPTIONS/CLOCK (options/horloge)	Horloge	<p>Cette horloge est réglable sur 12 ou 24 heures. Voir la section “Commande électronique du four”.</p> <ol style="list-style-type: none"> 1. Appuyer sur OPTIONS/CLOCK (options/horloge) jusqu'à l'affichage de “CLOCK” (horloge). 2. Appuyer sur START (mise en marche) pour changer l'heure. 3. Appuyer sur “3” pour AM (heure du matin) ou “6” pour PM (heure de l'après-midi). 4. Appuyer sur les touches numériques pour régler l'heure. 5. Appuyer sur START (mise en marche) pour mémoriser le réglage.
OPTIONS/CLOCK (options/horloge)	Réglages	<p>Permet de personnaliser les signaux sonores et le fonctionnement du four selon les préférences de l'utilisateur. Voir la section “Commande électronique du four”.</p>
LIGHT (lampe)	Lampe de la cavité du four	<p>L'éclairage du four est commandé par une touche située sur le tableau de commande du four. La porte du four étant fermée, appuyer sur la touche de la lampe du four pour allumer ou éteindre la lampe. La lampe du four s'allume automatiquement à l'ouverture de la porte.</p>
TIMER (minuterie) (Set/Off) (réglage/arrêt)	Minuterie du four	<p>La minuterie peut être réglée en heures ou en minutes jusqu'à concurrence de 9 heures et 59 minutes.</p> <ol style="list-style-type: none"> 1. Appuyer sur TIMER SET/OFF (réglage/arrêt de la minuterie). 2. Appuyer sur les touches numériques pour régler la durée en hr-min-min. Les zéros de gauche peuvent ne pas être entrés. Entrer “2” pour 2 minutes par exemple. 3. Appuyer sur TIMER SET/OFF (réglage/arrêt de la minuterie) pour commencer le compte à rebours. Si activés, les signaux sonores de fin de programme retentissent à la fin du compte à rebours. 4. Appuyer sur TIMER SET/OFF (réglage/arrêt de la minuterie) pour annuler la minuterie et revenir à l'heure du jour. Ne pas appuyer sur la touche Cancel (annulation), sinon le four s'éteindra. 5. Si la minuterie est activée mais n'apparaît pas sur l'affichage, appuyer sur TIMER SET/OFF (réglage/arrêt de la minuterie) pour faire apparaître le compte à rebours pendant 5 secondes.
START (mise en marche)	Démarrage de la cuisson	<p>La touche Start met en marche n'importe quelle fonction du four. Si, après avoir appuyé sur une touche, on n'appuie pas sur Start dans les 2 minutes qui suivent, la fonction est annulée et l'heure s'affiche.</p>

TOUCHE	FONCTION	INSTRUCTIONS
CANCEL UPPER (annulation four supérieur) CANCEL LOWER (annulation four inférieur)	Fonction de la cuisinière	La touche Cancel (annulation) désactive toutes les fonctions du four correspondant à l'exception de l'horloge et de la minuterie.
BAKE (cuisson au four) (four supérieur et inférieur)	Cuisson au four et rôtissage	<ol style="list-style-type: none"> Appuyer sur la touche BAKE (cuisson au four) du four souhaité. Régler la température souhaitée entre 170°F (75°C) et 500°F (260°C) pour le four supérieur, ou entre 170°F (75°C) et 449°F (232°C) pour le four inférieur en utilisant les touches numériques. La température par défaut est de 350°F (180°C). Appuyer sur START (mise en marche). Pour modifier la température, répéter les étapes 2 et 3. Appuyer sur CANCEL (annulation) pour le four souhaité une fois terminé.
BROIL (cuisson au grill)	Cuisson au grill	<ol style="list-style-type: none"> Appuyer sur BROIL (cuisson au grill). Utiliser les touches numériques pour régler la température souhaitée. Appuyer sur START (mise en marche) et laisser le four préchauffer pendant 2 minutes. Pour modifier la température, répéter les étapes 2 et 3. Appuyer sur START (mise en marche) ou attendre que le changement soit pris en compte. Placer le plat dans le four et fermer la porte. Appuyer sur CANCEL UPPER (annulation four supérieur) après avoir terminé.
MANUAL CONVECT MODES (modes de cuisson au four par convection manuelle)	Cuisson par convection	<ol style="list-style-type: none"> Appuyer sur MANUAL CONVECT MODES (modes de cuisson au four par convection manuelle) jusqu'à l'affichage du mode de convection souhaité. Appuyer sur START (mise en marche). Utiliser les touches numériques pour régler la température souhaitée. Appuyer sur START (mise en marche). Insérer les aliments lorsque demandé. Pour modifier la température, répéter les étapes 3 et 4. Appuyer sur START (mise en marche) ou attendre que le changement soit pris en compte. Appuyer sur CANCEL UPPER (annulation four supérieur) après avoir terminé.
AUTO CONVECT MODES (modes de cuisson au four par convection automatique)	Cuisson par convection	<ol style="list-style-type: none"> Appuyer sur AUTO CONVECT MODES (modes de cuisson au four par convection automatique) jusqu'à l'affichage du mode de convection souhaité. Appuyer sur START (mise en marche). Utiliser les touches numériques pour régler la température souhaitée. Appuyer sur START (mise en marche). Appuyer sur les touches numériques pour régler la durée de cuisson souhaitée. Appuyer sur START (mise en marche). Insérer les aliments lorsque demandé. Pour modifier la température, répéter les étapes 3 à 6. Appuyer sur START (mise en marche) ou attendre que le changement soit pris en compte. Appuyer sur CANCEL UPPER (annulation four supérieur) après avoir terminé.
KEEP WARM (upper and lower oven) (maintien au chaud) (four supérieur et inférieur)	Maintien au chaud	<p>Les aliments doivent être à la température de service avant d'être placés dans le four chaud.</p> <ol style="list-style-type: none"> Appuyer sur la touche KEEP WARM (maintien au chaud) du four souhaité. Régler la température souhaitée entre 145°F (63°C) et 190°F (88°C) en utilisant les touches numériques. La température par défaut est de 170°F (75°C). Appuyer sur START (mise en marche). Appuyer sur CANCEL (annulation) pour le four souhaité une fois terminé.
PROOF (levée)	Levée du pain	<ol style="list-style-type: none"> Placer la pâte préparée dans le four. Appuyer sur PROOF (levée du pain). Appuyer sur START (mise en marche). Laisser la pâte lever jusqu'à ce qu'elle ait presque doublé de volume. La durée de levée du pain peut varier en fonction du type de pâte et de la quantité. Appuyer sur CANCEL UPPER (annulation four supérieur) lorsque la levée est terminée. Consulter la section "Levée du pain" pour plus d'informations.
FAVORITE (recette favorite)	Recette favorite sauvegardée	La touche Favorite (recette favorite) conserve le mode du four, la durée de cuisson et la température de cuisson de votre recette favorite. Pour sauvegarder et employer la recette favorite, consulter la section "Recette favorite".

TOUCHE	FONCTION	INSTRUCTIONS
DELAY START (mise en marche différée)	Mise en marche différée	La touche Delay start (mise en marche différée) sert à entrer l'heure de mise en marche pour un four équipé de mise en marche différée. La mise en marche différée ne doit pas être utilisée pour les aliments tels que pains et gâteaux, car ils risquent de ne pas bien cuire. Pour régler une cuisson minutée ou une cuisson minutée différée, voir la section "Durée de cuisson".
COOK TIME (durée de cuisson)	Cuisson minutée	La cuisson minutée permet d'allumer le four à une certaine heure de la journée, d'effectuer une cuisson pendant une durée déterminée et/ou d'éteindre le four automatiquement. Pour régler une cuisson minutée ou une cuisson minutée différée, voir la section "Durée de cuisson".
AQUALIFT SELF CLEAN (autonettoyage Aqualift)	Programme de nettoyage	Voir la section "Programme de nettoyage".
START (mise en marche) (hold 3 sec to lock) (appuyer pendant 3 secondes pour verrouiller)	Verrouillage des commandes du four	<ol style="list-style-type: none"> Vérifier que le four est éteint. Appuyer pendant 3 secondes sur la touche START (hold 3 sec to lock) (mise en marche [appuyer pendant 3 sec. pour verrouiller]). Un signal sonore retentit et l'avertissement "Control Locked" (commandes verrouillées) défile, puis "Locked" (verrouillé) s'affiche. Répéter l'opération pour déverrouiller. Aucune touche ne fonctionne lorsque les commandes sont verrouillées. Les fonctions de la table de cuisson ne sont pas affectées par le verrouillage des commandes du four.
ENERGY SAVE (économie d'énergie)	Place la cuisinière en mode de veille pour réduire la consommation d'énergie	<ol style="list-style-type: none"> Appuyer sur la touche OPTIONS/CLOCK (options/horloge) pendant 3 secondes pour changer d'état. "Energy saver on" (économie d'énergie activée) ou "Energy saver off" (économie d'énergie désactivée) défile sur l'affichage. Si le mode d'économie d'énergie est activé, l'affichage passe en mode de veille après 5 minutes d'inactivité. Appuyer sur n'importe quelle touche pour activer l'affichage. Si le mode d'économie d'énergie est désactivé, l'affichage reste constamment allumé.

Commandes électroniques du four

Affichage des commandes

L'affichage clignote à la mise sous tension ou après une coupure de courant. Appuyer sur CANCEL UPPER (annulation du four supérieur) pour effacer. Lorsque le four n'est pas utilisé, l'heure s'affiche. Si la cuisinière est en mode d'économie d'énergie, l'écran est inactif lorsque le four n'est pas utilisé.

Signaux sonores

Les signaux sonores avertissent l'utilisateur de divers événements :

Un seul signal sonore

- Appui sur une touche valide
- Préchauffage du four terminé (signal sonore long)
- Saisie d'une fonction
- Rappel émis chaque minute après le signal sonore de fin de programme

Trois signaux sonores

- Appui sur une touche non valide

Quatre signaux sonores

- Fin de programme

Appuyer sur la touche Options/Clock (options/horloge) pour modifier les réglages des signaux sonores.

Mode d'économie d'énergie

Le mode Energy Save (économie d'énergie) place la cuisinière en mode de veille pour réduire la consommation d'énergie.

Pour activer le mode Energy Save :

1. Appuyer sur la touche OPTIONS/CLOCK (options/horloge) pendant 3 secondes. La mention "Energy Saver On." (mode d'économie d'énergie actif) apparaît sur l'affichage.
2. Le réglage sera activé après 5 minutes.

Pour désactiver le mode Energy Save :

1. Appuyer sur la touche OPTIONS/CLOCK (options/horloge) pendant 3 secondes. La mention "Energy saver off." (mode d'économie d'énergie inactif) apparaît sur l'affichage.
2. L'horloge réapparaît dans l'affichage; on peut alors faire fonctionner la cuisinière comme d'habitude.

Réglages

De nombreuses fonctions du four peuvent être réglées pour répondre à vos besoins. La touche Options/Clock (options/horloge) sert à effectuer ces ajustements.

Appuyer sur la touche Options/Clock (options/horloge) pour faire défiler les fonctions modifiables. L'affichage passe au réglage suivant à chaque pression supplémentaire sur Options/Clock (options/horloge). Après avoir sélectionné la fonction à modifier, le tableau de commande demande à l'utilisateur d'effectuer la manœuvre nécessaire. Une fois le réglage mémorisé en appuyant sur Start (mise en marche), appuyer sur CANCEL UPPER (annulation du four supérieur) pour quitter le mode Settings (réglages) et afficher l'heure. Les sections suivantes détaillent toutes les fonctions modifiables.

Appuyer sur CANCEL UPPER (annulation du four supérieur) pour quitter le mode Settings (réglages).

Horloge

Cette horloge est réglable sur 12 ou 24 heures.

1. Appuyer sur OPTIONS/CLOCK (options/horloge) jusqu'à afficher "CLOCK" (horloge).
2. Appuyer sur START (mise en marche) pour changer l'heure.
3. Appuyer sur "3" pour AM (heure du matin) ou "6" pour PM (heure de l'après-midi).
4. Appuyer sur les touches numériques pour régler l'heure.
5. Appuyer sur OPTIONS/CLOCK (options/horloge) ou START (mise en marche) pour mémoriser le réglage.
6. Appuyer sur CANCEL UPPER (annulation du four supérieur) pour quitter et afficher l'heure.

Fahrenheit et Celsius

Le four est préréglé pour un affichage de la température en degrés Fahrenheit, mais on peut le permuter en degrés Celsius.

1. Appuyer sur OPTIONS/CLOCK (options/horloge) jusqu'à afficher "TEMP UNIT" (unité de température).
2. Le réglage en cours s'affiche.
3. Appuyer sur la touche "1" pour changer le réglage.
4. Appuyer sur START (mise en marche) ou CANCEL UPPER (annulation du four supérieur) pour quitter et afficher l'heure.

Désactivation des signaux sonores

Désactive tous les signaux sonores, y compris le signal sonore de fin de programme et les signaux sonores d'appui sur une touche. Les signaux sonores de rappel restent actifs lorsque tous les sons sont désactivés.

1. Appuyer sur OPTIONS/CLOCK (options/horloge) jusqu'à afficher "SOUND" (son).
2. Le réglage en cours s'affiche.
3. Appuyer sur la touche "1" pour changer le réglage.
4. Appuyer sur START (mise en marche) ou CANCEL UPPER (annulation du four supérieur) pour quitter et afficher l'heure.

Volume sonore

Règle la hauteur du signal sonore à bas ou élevé.

1. Appuyer sur OPTIONS/CLOCK (options/horloge) jusqu'à afficher "SOUND VOLUME" (volume sonore).
2. Le réglage en cours s'affiche.
3. Appuyer sur la touche "1" pour changer le réglage.
4. Appuyer sur START (mise en marche) ou CANCEL UPPER (annulation du four supérieur) pour quitter et afficher l'heure.

Signal sonore de fin de programme

Active ou désactive les signaux sonores émis à la fin d'un programme.

1. Appuyer sur OPTIONS/CLOCK (options/horloge) jusqu'à afficher "END TONE" (signal sonore de fin).
2. Le réglage en cours s'affiche.
3. Appuyer sur la touche "1" pour changer le réglage.
4. Appuyer sur START (mise en marche) ou CANCEL UPPER (annulation du four supérieur) pour quitter et afficher l'heure.

Signaux sonores d'appui sur une touche

Active ou désactive les signaux sonores lorsqu'on appuie sur une touche.

1. Appuyer sur OPTIONS/CLOCK (options/horloge) jusqu'à afficher "KEYPRESS TONE" (signal sonore des touches).
2. Le réglage en cours s'affiche.
3. Appuyer sur la touche "1" pour changer le réglage.
4. Appuyer sur START (mise en marche) ou CANCEL UPPER (annulation du four supérieur) pour quitter et afficher l'heure.

Désactivation des signaux sonores de rappel

Désactive le signal sonore bref qui retentit chaque minute après le signal sonore de fin de programme.

1. Appuyer sur OPTIONS/CLOCK (options/horloge) jusqu'à afficher "REMINDER TONE" (signal sonore de rappel).
2. Le réglage en cours s'affiche.
3. Appuyer sur la touche "1" pour changer le réglage.
4. Appuyer sur START (mise en marche) ou CANCEL UPPER (annulation du four supérieur) pour quitter et afficher l'heure.

Horloge 12/24 heures

1. Appuyer sur OPTIONS/CLOCK (options/horloge) jusqu'à afficher "12/24 HOUR" (horloge sur 12/24 heures).
2. Le réglage en cours s'affiche.
3. Appuyer sur la touche "1" pour changer le réglage.
4. Appuyer sur START (mise en marche) ou CANCEL UPPER (annulation du four supérieur) pour quitter et afficher l'heure.

Mode de démonstration

IMPORTANT : Destinée au personnel commercial en rayon, cette fonction permet, avec un raccordement au secteur 120 V, de présenter les fonctions des commandes sans pour autant activer les éléments chauffants ou les brûleurs. Si cette fonction est activée, le four ne fonctionnera pas.

1. Appuyer sur OPTIONS/CLOCK (options/horloge) jusqu'à afficher "DEMO MODE" (mode démo).
2. Le réglage en cours s'affiche.
3. Appuyer sur la touche "1" pour changer le réglage.
4. Appuyer sur START (mise en marche) ou CANCEL UPPER (annulation du four supérieur) pour quitter et afficher l'heure.

Mode Sabbat

Le mode Sabbat maintient le réglage de cuisson au four tant que le four n'est pas éteint.

Lorsque le mode Sabbat est réglé, seul le programme de cuisson au four fonctionne. Tous les autres programmes de cuisson et de nettoyage sont désactivés. Aucun signal sonore ne retentit et les affichages n'indiquent pas les changements de température.

Lorsque la porte du four est ouverte ou fermée, la lampe du four ne s'allume ou ne s'éteint pas et les éléments de chauffage ne s'allument ou ne s'éteignent pas immédiatement.

Activation du mode Sabbat (une seule fois) :

1. Appuyer sur OPTIONS/CLOCK (options/horloge) jusqu'à afficher "SABBATH" (sabbat).
2. Le réglage en cours s'affiche.
3. Appuyer sur la touche "1" pour changer le réglage.
4. Appuyer sur START (mise en marche) pour mémoriser le réglage.
5. Appuyer sur START (mise en marche) ou CANCEL UPPER (annulation du four supérieur) pour quitter et afficher l'heure.

Arrêt au bout de 12 heures

Le four est configuré pour s'éteindre automatiquement 12 heures après avoir activé une fonction de cuisson ou de nettoyage. Cette fonction ne perturbe aucune fonction de cuisson minutée ou différée.

1. Appuyer sur OPTIONS/CLOCK (options/horloge) jusqu'à afficher "12Hr AUTO_OFF" (arrêt automatique après 12 heures).
2. Le réglage en cours s'affiche.
3. Appuyer sur la touche "1" pour changer le réglage.
4. Appuyer sur START (mise en marche) ou CANCEL UPPER (annulation du four supérieur) pour quitter et afficher l'heure.

Langue du texte inscrit sur l'affichage

Les options de langue sont l'anglais, l'espagnol et le français.

1. Appuyer sur OPTIONS/CLOCK (options/horloge) jusqu'à afficher "LANGUAGE" (langue).
2. Le réglage en cours s'affiche.
3. Appuyer sur les touches "1" ou "2" pour sélectionner la langue souhaitée.
4. Appuyer sur START (mise en marche) ou CANCEL UPPER (annulation du four supérieur) pour quitter et afficher l'heure.

Commande de décalage de température du four

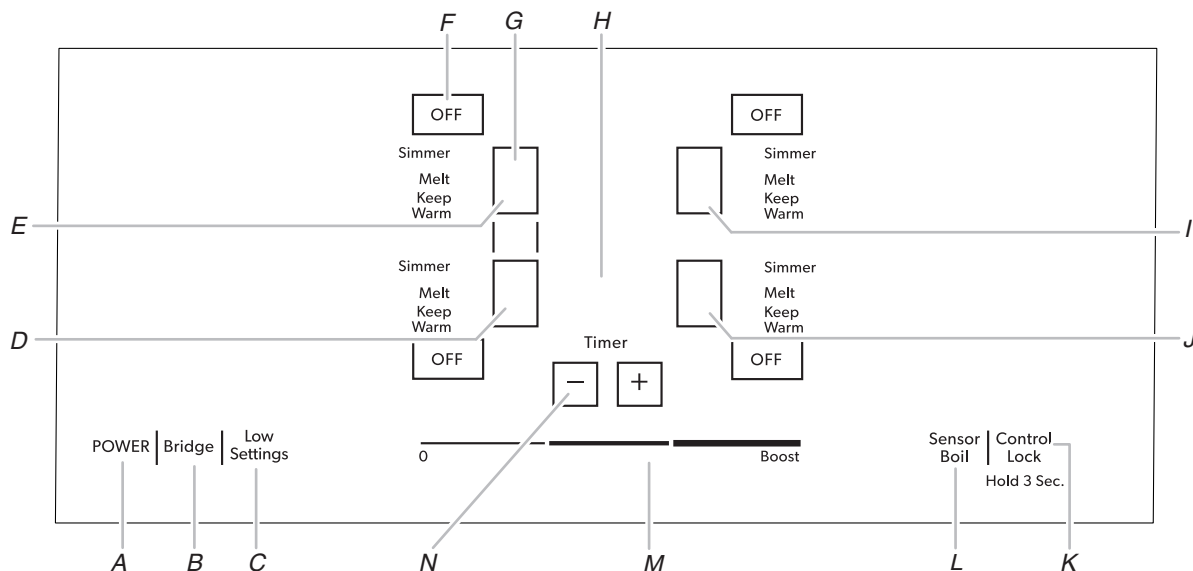
IMPORTANT : Ne pas utiliser de thermomètre pour mesurer la température du four. Les éléments chauffants s'allument et s'éteignent en alternance pour maintenir une température constante, mais leur température peut varier légèrement dans un sens ou dans l'autre du fait de cette alternance. De nombreux thermomètres réagissent lentement à un changement de température, et ne donneront pas une mesure exacte du fait de cette alternance.

Le four fournit des températures précises; toutefois, il peut cuire plus rapidement ou plus lentement que votre ancien four, c'est pourquoi la température peut être ajustée à vos besoins de cuisson. Elle peut être modifiée en degrés Fahrenheit ou Celsius.

Ajustement de la température du four :

1. Appuyer sur OPTIONS/CLOCK (options/horloge) jusqu'à afficher "TEMP CALIB" (étalonnage température).
2. (Sur certains modèles) appuyer sur "1" pour effectuer l'étalonnage de température du tiroir. Appuyer sur START (mise en marche), attendre 10 secondes que l'affichage change, puis passer à l'étape 3.
OU
Appuyer sur START (mise en marche) pour effectuer le réglage de la température du four. Attendre 10 secondes que l'affichage change, puis passer à l'étape 3.
3. Appuyer sur la touche "3" pour augmenter la température par paliers de 5°F (3°C) ou sur la touche "6" pour diminuer la température par paliers de 5°F (3°C). L'intervalle d'ajustement est entre -30°F et +30°F (-18°C à +18°C).
4. Appuyer sur START (mise en marche) ou CANCEL UPPER (annulation du four supérieur) pour quitter et afficher l'heure.

Table de cuisson



A. Puissance de la table de cuisson

B. Liaison

C. Réglages de chaleur réduite

D. Affichage de la surface de cuisson avant gauche

E. Affichage de la surface de cuisson arrière gauche

F. Arrêt surface de cuisson

G. Affichage du niveau de chaleur

H. Affichage de la minuterie

I. Affichage de la surface de cuisson arrière droite

J. Affichage de la surface de cuisson avant droite

K. Verrouillage des commandes

L. Ébullition avec capteur

M. Curseur du niveau de chaleur

N. Minuterie (augmentation/ diminution)

Cuisson par induction

La cuisson par induction est très différente des formes de cuisson traditionnelles. La chaleur est générée directement dans le plat et permet ainsi de garder la surface de cuisson plus froide qu'un élément traditionnel.

Avec la cuisson par induction, il y a une moindre déperdition de chaleur qu'avec les formes de cuisson traditionnelles du fait que la chaleur est générée dans l'ustensile lui-même.

La table de cuisson chauffe ou se refroidit rapidement après le réglage des commandes. Elle cesse également de chauffer lorsqu'on retire l'ustensile sans avoir à éteindre l'appareil.

Les aliments renversés sur la surface de la table de cuisson ne brûlent pas car le verre n'est pas chauffé. La cuisson par induction permet un nettoyage immédiat après utilisation car la chaleur est générée dans l'ustensile.

La taille, le matériau (voir la section "Ustensiles de cuisson") et le positionnement du plat sont très importants pour atteindre une puissance maximale.

Le diamètre de la base du plat doit être identique à la taille de l'élément.

Si l'ustensile est trop petit, le brûleur ne le détecte pas et reste éteint.

Commandes de la table de cuisson

AVERTISSEMENT



Risque d'incendie

Fermer tous les réglages lorsque la cuisson est terminée.

Le non-respect de cette instruction peut causer un décès ou un incendie.

Les commandes électroniques tactiles offrent une grande variété de réglages de chaleur pour des résultats de cuisson optimaux. Lorsqu'on fait fondre des aliments comme le chocolat ou le beurre, la surface de cuisson peut être réglée sur la fonction Faire fondre et maintenir au chaud pour un fonctionnement minimal de la surface de cuisson.

Pour un fonctionnement maximal de la surface de cuisson, toutes les commandes tactiles de la table de cuisson peuvent être réglées à la fonction Optimisation de rendement pour porter un liquide à ébullition rapidement. Sélectionner la surface de cuisson souhaitée puis appuyer sur "Boost" (optimisation) pour atteindre immédiatement le réglage le plus élevé.

REMARQUE : Si une installation à 240 V n'est pas disponible, la table de cuisson s'ajuste automatiquement pour une alimentation en 208 V.

Verrouillage des commandes de la table de cuisson :

La table de cuisson peut être verrouillée pour éviter son utilisation involontaire. Pour verrouiller le tableau de commande, appuyer sur CONTROL LOCK (verrouillage des commandes) pendant 3 secondes. Un témoin lumineux situé au-dessus de la fonction Verrouillage des commandes s'allume. Pour déverrouiller le tableau de commande, appuyer sur CONTROL LOCK (verrouillage des commandes) pendant 3 secondes. Le témoin lumineux s'éteint et la table de cuisson est prête à être utilisée.

Utilisation

Pour allumer la table de cuisson :

1. Appuyer sur POWER (mise sous tension).

Le témoin lumineux situé au-dessus de la touche Power (mise sous tension) ainsi qu'un taret ("") pour chaque surface de cuisson s'allume pour indiquer que toutes les surfaces de cuisson sont prêtes à être activées.

Si l'on ne fait rien pendant les 60 secondes qui suivent l'activation de l'alimentation principale, l'alimentation de la table de cuisson est automatiquement interrompue.

Si l'on touche une fonction de cuisson ou le curseur d'alimentation sans sélectionner de surface de cuisson au préalable, tous les tirets (un par zone) clignotent et un signal sonore d'action invalide retentit 4 fois.

Pour allumer une surface de cuisson :

2. Toucher directement la zone d'affichage correspondant à la surface de cuisson que l'on souhaite utiliser. Voir D, E, I et J dans l'illustration précédente.

Le niveau de puissance actuel et le témoin lumineux clignotent pendant 10 secondes, puis restent allumés.

Si l'on ne touche pas une autre caractéristique, le curseur d'alimentation cesse de clignoter et les informations concernant la touche qui a été touchée s'affichent.

Lorsqu'une surface de cuisson reste au niveau de puissance "0" pendant 30 secondes, la surface de cuisson s'éteint automatiquement et seul le taret du milieu s'affiche, sans indicateur lumineux.

3. Sélectionner un niveau de chaleur de 1 à 9 en touchant/ faisant glisser le curseur d'alimentation. Le réglage de chaleur apparaît sur l'affichage de la surface de cuisson.

Le curseur d'alimentation présente 9 positions, ainsi qu'une position "Boost" (optimisation). Lorsque l'utilisateur fait glisser le curseur à 0, "0" s'affiche. La surface de cuisson ne s'allume pas mais reste active/sélectionnée.

Lorsqu'une surface de cuisson reste au niveau de puissance "0" pendant 30 secondes, la zone s'éteint automatiquement et seul le taret du milieu s'affiche, sans indicateur lumineux.

IMPORTANT : Le réglage de chaleur pour une zone de cuisson active peut être ajusté en plaçant la main ou un ustensile de cuisine au-dessus du curseur de niveau de chaleur (il n'est pas nécessaire de toucher le verre de la table de cuisson). Un bip retentit uniquement si le curseur se déplace à "0" ou "Boost" (optimisation), ou si la zone de cuisson est éteinte.

Utiliser le tableau suivant comme guide lors du réglage des niveaux de chaleur.

RÉGLAGE	UTILISATION RECOMMANDÉE
9 - Boost (optimisation)	■ Porter un liquide à ébullition.
9	■ Démarrer la cuisson des aliments.
7 - 8	■ Brunir ou saisir rapidement les aliments.
6 - 7	■ Maintenir une ébullition rapide.
5 - 6	■ Pour faire frire la volaille ou la viande. ■ Faire cuire les soupes et les sauces.
4 - 5	■ Maintenir une ébullition lente. ■ Faire mijoter ou étuver les aliments.
3 - 5	■ Mijotage
1 - 2	■ Garder au chaud les aliments cuits. ■ Faire fondre le chocolat ou le beurre.
Mijotage	■ Maintenir une ébullition lente.

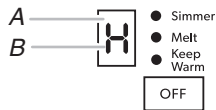
Appuyer sur les touches "+" ou "-" de TIMER (minuterie) pour régler la durée de la minuterie. "01" apparaît sur l'affichage de la minuterie, et la minuterie peut être réglée si désiré.

Désactivation :

1. Appuyer sur OFF (arrêt) pour éteindre la surface de cuisson désirée. Un signal sonore retentit lorsqu'on appuie sur Off.
2. Appuyer sur POWER (mise sous tension) pour éteindre la table de cuisson lorsqu'on a terminé.

Indicateur de surface chaude

Un "H" apparaît sur l'afficheur du réglage de chaleur correspondant à une surface de cuisson trop chaude pour être touchée, même une fois que cette surface a été éteinte.



A. Afficheur du réglage de chaleur

B. Témoin lumineux de surface chaude "H"

Si une panne de courant survient alors que la table de cuisson est allumée, le témoin de surface chaude "H" reste allumé jusqu'à 45 minutes après le rétablissement de l'alimentation électrique de la table de cuisson.

Ébullition avec capteur (zone de cuisson avant droite)

La fonction d'ébullition avec capteur sélectionne automatiquement le niveau de puissance idéal pour faire bouillir de l'eau et est muni d'un signal sonore pour prévenir l'utilisateur lorsque le point d'ébullition a été atteint. La fonction d'ébullition avec capteur n'est disponible uniquement pour la zone de cuisson avant droite.

Lors de l'utilisation de la fonction d'ébullition avec capteur :

- Utiliser uniquement de l'eau à température ambiante.
- Ne pas ajouter de sel ou d'autres ingrédients à l'eau que l'on fait bouillir avant que le point d'ébullition ne soit atteint.
- Ne pas couvrir la casserole lorsqu'on utilise la fonction d'ébullition avec capteur.
- Ne pas utiliser la fonction d'ébullition avec capteur si la surface de cuisson est chaude. "H" apparaît sur l'affichage lorsque la surface de cuisson est chaude.
- Ne pas modifier le niveau de puissance ni déplacer la casserole.
- Remplir la casserole à au moins un tiers de sa capacité avec au moins 4 tasses (946 mL) d'eau, mais pas jusqu'à ras bord. Ne pas utiliser la fonction d'ébullition avec capteur avec plus d'environ 7 ptes (7 L).
- Pour de meilleurs résultats, utiliser des casseroles d'un diamètre compris entre 9½" (24 cm) et 11" (28 cm).
- Ne pas utiliser d'autocuiseurs.
- La qualité des ustensiles de cuisson utilisés peuvent affecter la performance de la fonction d'ébullition avec capteur.

Utilisation :

Activation :

1. Appuyer sur la zone d'affichage correspondant à la surface de cuisson avant droite pour la sélectionner.
2. Placer la casserole sur la surface de cuisson avant droite pour une ébullition avec capteur.
3. Appuyer sur SENSOR BOIL (ébullition avec capteur). "A" apparaît sur l'affichage et le témoin lumineux situé à côté de Sensor Boil s'allume.

Lorsque le point d'ébullition a été atteint, le signal sonore de la table de cuisson retentit 3 fois de suite à intervalles réguliers. Après la deuxième série de signaux sonores, un compte à rebours commence automatiquement à décompter le temps d'ébullition, minute après minute. Après la troisième série de signaux sonores, la table de cuisson passe automatiquement à un niveau de puissance adapté pour maintenir l'ébullition.

Désactivation :

La fonction d'ébullition avec capteur peut être désactivée de 3 manières différentes :

1. Utiliser le curseur de niveau de puissance pour le régler à un niveau de chaleur.

OU

2. Toucher la touche OFF (arrêt) de la surface de cuisson.

OU

3. Sélectionner une autre fonction de cuisson.

REMARQUE : La table de cuisson gère automatiquement les fonctions d'ébullition avec capteur et d'optimisation du rendement. Dans certains cas, il est possible qu'elle ne puisse pas activer simultanément les fonctions d'ébullition avec capteur et d'optimisation du rendement.

Réglages de chaleur réduite

La fonction de mijotage peut être utilisée pour toutes les surfaces de cuisson.

La fonction Réglages de chaleur réduite peut être utilisée pour toutes les surfaces de cuisson. La fonction Réglages de chaleur réduite peut être utilisée pour plus d'une surface de cuisson à la fois.

La fonction Réglages de chaleur réduite permet de sélectionner les fonctions Simmer (mijotage), Melt (faire fondre) ou Keep Warm (garder au chaud) pour une surface de cuisson donnée.

Utilisation

Activation :

1. Appuyer sur la zone d'affichage correspondant à la surface de cuisson souhaitée pour la sélectionner.
2. Appuyer sur LOW SETTINGS (réglages de chaleur réduite). "A" apparaît sur l'affichage correspondant à la surface de cuisson sélectionnée.
3. Appuyer sur LOW SETTINGS (réglages de chaleur réduite) jusqu'à ce que le témoin lumineux situé à côté de la fonction souhaitée s'allume : Simmer (mijotage), Melt (faire fondre) ou Keep Warm (maintien au chaud).

La minuterie reste visible et peut être réglée si désiré.

Désactivation :

La fonction Réglages de chaleur réduite peut être désactivée de 3 manières différentes :

1. Utiliser le curseur de niveau de puissance pour le régler à un niveau de chaleur.

OU

2. Toucher la touche OFF (arrêt) de la surface de cuisson.

OU

3. Sélectionner une autre fonction de cuisson.

Liaison

La fonction de liaison peut être activée lorsque les surfaces de cuisson sont activées ou désactivées. La fonction de liaison permet d'utiliser 2 zones de cuisson comme zone de cuisson de très grande taille.

Pour activer la fonction de liaison :

1. Toucher la touche BRIDGE (liaison).

Le témoin lumineux situé au-dessus de la touche de liaison s'allume. Les niveaux de réglage de chaleur pour les 2 surfaces de cuisson de gauche passent à "0" par défaut et peuvent être réglés à un minimum de "1" et un maximum de "9". Si la minuterie de la table de cuisson était activée, celle-ci s'éteint.

- Glisser un doigt sur le curseur de niveau de chaleur pour augmenter ou diminuer le niveau de chaleur.
Le niveau de chaleur sélectionné apparaît sur l'affichage de niveau de chaleur correspondant à toutes les surfaces de cuisson qui utilisent la fonction de liaison.

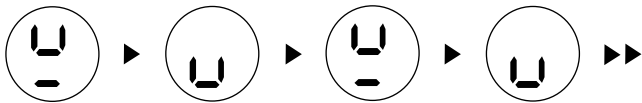
Pour désactiver la fonction de liaison :

- Toucher la touche BRIDGE (liaison).
Les surfaces de cuisson se remettent à fonctionner indépendamment l'une de l'autre.

REMARQUE : On ne peut pas utiliser la fonction d'optimisation du rendement sur les éléments pour lesquels la fonction de liaison a été activée.

Détection d'un plat

Si le système ne parvient pas à reconnaître le plat ou si le plat a été retiré de la surface de cuisson, l'animation "replace pan" (replacer plat) apparaît sur l'affichage de la zone de cuisson à titre de rappel. Voir l'illustration ci-dessous.



Si l'on ne place pas le plat dans les 30 secondes qui suivent, la/les zone(s) s'éteint/s'éteignent.

Si une minuterie est en cours d'utilisation lorsqu'on retire un plat, le compte à rebours continue.

Verrouillage des commandes

Le verrouillage des commandes empêche l'utilisation involontaire des surfaces de cuisson.

Si le verrouillage des commandes est activé lorsque l'alimentation électrique de la table de cuisson est interrompue, la table de cuisson est verrouillée et les surfaces de cuisson ne peuvent pas être allumées au moyen des commandes tactiles de la table de cuisson.

Si le verrouillage des commandes est activé alors que la table de cuisson est sous tension, toutes les touches sont verrouillées, à l'exception des touches Power (mise sous tension) et Off (arrêt).

Pour verrouiller la table de cuisson :

Appuyer sur la touche LOCK (verrouillage) pendant 3 secondes. Après 3 secondes, un signal sonore retentit et le témoin lumineux situé au-dessus de la touche Lock (verrouillage) s'allume, indiquant que les commandes de la table de cuisson sont en position de verrouillage.

Si la table de cuisson est en cours d'utilisation lorsqu'on active Control Lock (verrouillage des commandes), la cuisson se poursuit normalement et les minuteries réglées (le cas échéant) poursuivent leur compte à rebours.

Pour déverrouiller la table de cuisson :

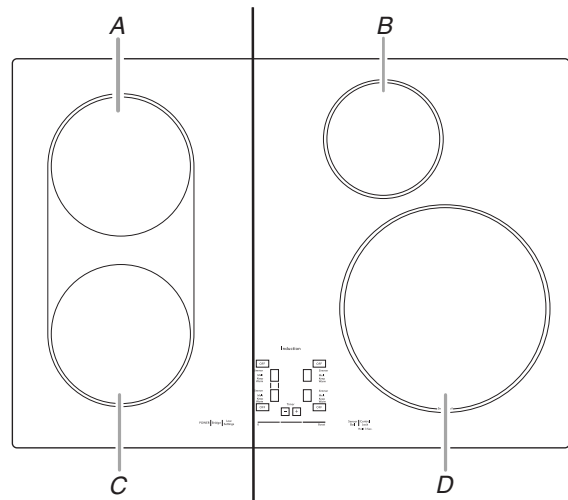
Appuyer sur la touche LOCK pendant 3 secondes.

Fonction d'optimisation du rendement

Cette fonction vous permet d'augmenter le niveau de chaleur au-delà du réglage de chaleur maximal 9 pendant 10 minutes ou moins.

REMARQUES :

La fonction d'optimisation du rendement n'est disponible que sur une surface de cuisson à la fois pour une zone donnée. Voir les illustrations suivantes pour déterminer la démarcation des zones.



Zone 1

- A. Surface de cuisson 1
- B. Surface de cuisson 2

Zone 2

- C. Surface de cuisson 3
- D. Surface de cuisson 4

Si l'on tente d'utiliser la fonction d'optimisation du rendement sur plus d'une surface de cuisson dans une même zone, "P" clignote brièvement sur l'affichage et la première surface de cuisson sélectionnée pour la fonction d'optimisation du rendement est automatiquement ramenée au réglage de puissance le plus élevé possible. La dernière surface de cuisson sélectionnée sera réglée à Optimisation du rendement.

- Vérifier qu'une surface de cuisson a été sélectionnée.
- Appuyer sur BOOST. "P" apparaît sur l'afficheur.
- Appuyer sur la touche BOOST une fois terminé. Le "P" n'est plus visible sur l'afficheur et la fonction d'optimisation du rendement est désactivée. La surface de cuisson revient au réglage de puissance le plus élevé possible.

REMARQUE : La fonction d'optimisation du rendement peut se désactiver automatiquement pour protéger les composants électroniques internes de la table de cuisson en les empêchant ainsi de surchauffer.

Timer (Minuterie)

Utiliser la minuterie de cuisson pour régler des durées jusqu'à 90 minutes. La minuterie est indépendante de tout autre réglage de commande. Il faut qu'un des éléments de la table de cuisson soit actif pour que l'on puisse utiliser la minuterie de cuisson.

Utilisation :

- Appuyer sur les touches "+" ou "-" de TIMER (minuterie). "01" apparaît sur l'affichage de la minuterie.
- Appuyer sur la touche "+" de TIMER pour augmenter la durée par tranches d'une (1) minute.
ou
Appuyer sur la touche "-" de TIMER pour diminuer la durée par tranches d'une (1) minute.
- La minuterie lance le compte à rebours après quelques secondes.
Pour modifier la durée, appuyer sur la touche "TIMER +" ou "TIMER -".
- Une fois le compte à rebours terminé, "00" clignote et un signal sonore retentit.

REMARQUE : Lorsque l'alimentation est rétablie après une panne de courant, la minuterie ne fonctionne plus.

Signaux sonores

Les signaux sonores avertissent l'utilisateur de divers événements :

Un seul signal sonore

- Appui sur une touche valide
- Le curseur a été déplacé au niveau de puissance "0"
- Le curseur a été déplacé au niveau de puissance "Boost"

Trois signaux sonores

- Fin de programme minuté

Quatre signaux sonores

- Appui sur une touche non valide

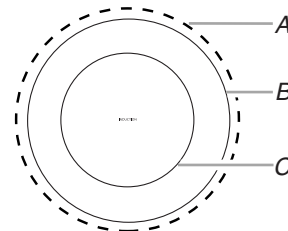
Vitrocéramique

Nettoyer la table de cuisson après chaque utilisation afin d'éviter les égratignures, les piqûres et l'abrasion et pour entretenir la surface de verre. Un nettoyant pour table de cuisson en vitrocéramique et un grattoir de table de cuisson sont aussi recommandés pour les saletés tenaces. Ne pas utiliser des produits de nettoyage abrasifs, des tampons de nettoyage ou des produits chimiques agressifs. La trousse d'entretien de la table de cuisson (pièce n° 31605) contient tous les articles nécessaires pour nettoyer et entretenir votre table de cuisson en vitrocéramique. Consulter la section "Entretien de la cuisinière" pour plus de renseignements.

IMPORTANT : Pour éviter d'endommager la surface de la table de cuisson de façon permanente et pour faciliter l'élimination des saletés, nettoyer la table de cuisson après chaque utilisation pour éliminer toutes les saletés.

- Ne pas ranger de bocaux ou de boîtes de conserve au-dessus de la table de cuisson. La chute d'un objet lourd ou dur sur la table de cuisson pourrait la fêler.
- Afin d'éviter d'endommager la table de cuisson, ne pas laisser un couvercle chaud sur la table de cuisson. Lorsque la table de cuisson refroidit, de l'air peut s'accumuler entre le couvercle et la table de cuisson, et la vitrocéramique pourrait se casser lorsqu'on enlève le couvercle.
- Nettoyer dès que possible tous les renversements et toutes les saletés des aliments contenant du sucre sous n'importe quelle forme. Laisser la table de cuisson refroidir légèrement. Ensuite, tout en portant des mitaines de four, nettoyer tandis que la surface est encore tiède. Si on laisse le sucre refroidir sur la table de cuisson, il se peut que celui-ci adhère à la surface et entraîne de la corrosion et des marques permanentes.
- Afin d'éviter toute égratignure, ne pas faire glisser d'ustensiles de cuisson sur la table de cuisson.
- Afin d'éviter d'endommager la table de cuisson, ne pas laisser des objets qui pourraient fondre, comme du plastique ou du papier d'aluminium, toucher une partie quelconque de la table de cuisson.
- Afin d'éviter d'endommager la table de cuisson, ne pas l'utiliser en guise de planche à découper.

- Utiliser des ustensiles de cuisson de la même taille environ que la surface de cuisson. L'ustensile de cuisson ne doit pas dépasser de plus de 1/2" (1,3 cm) hors de la zone de cuisson. La taille minimale du plat est également indiquée sur la table de cuisson par le cercle le plus au centre de l'élément (le cas échéant).

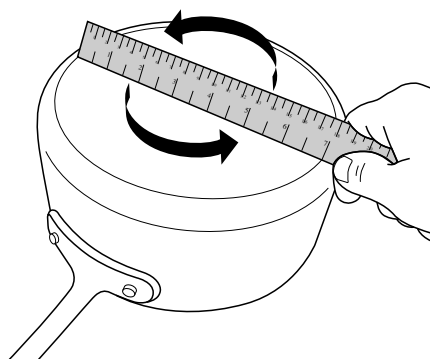


A. Dépassement maximal de 1/2" (1,3 cm)

B. Rebord de la table de cuisson

C. Taille minimale du plat (le cas échéant)

- Utiliser des ustensiles de cuisson à fond plat pour une meilleure conduction de la chaleur et une meilleure utilisation de l'énergie. Les ustensiles de cuisson à fond arrondi, déformé, cannelé ou bosselé pourraient causer un chauffage inégal et de mauvais résultats de cuisson.
- Vérifier que le récipient est plat en plaçant le bord plat d'une règle en travers du fond du récipient. Lorsque l'on fait tourner la règle, aucun espace ni aucune lumière ne devraient être visibles entre celle-ci et le plat de cuisson.



- Pour déterminer l'ustensile et l'élément à induction à utiliser, mesurer le fond de la zone plate de l'ustensile de cuisson. Ne pas inclure les côtés dans la mesure si ceux-ci sont recourbés. Utiliser cette mesure pour déterminer quel élément à induction conviendra le mieux à l'ustensile de cuisson utilisé. Les mesures du fabricant indiquées sur les ustensiles de cuisson correspondent généralement aux dimensions de la partie supérieure de l'ustensile. Il est possible que la partie inférieure soit plus petite.
- S'assurer que les fonds des casseroles et poêles sont propres et secs avant de les utiliser. Les résidus et l'eau peuvent laisser des dépôts quand ils sont chauffés.

Ustensiles de cuisson

IMPORTANT : Cette cuisinière est dotée d'éléments de cuisson à induction. La taille, le matériau et le positionnement du plat sont très importants pour l'obtention des meilleurs résultats. Consulter "Cuisson par induction" dans la section "Utilisation de la table de cuisson" avant d'utiliser la table de cuisson.

Seuls les ustensiles de cuisson ferromagnétiques peuvent être utilisés pour la cuisson par induction.

Les matériaux ferromagnétiques incluent :

- Acier émaillé
- Fonte
- Acier inoxydable conçu pour la cuisson par induction

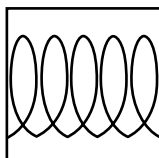
Les matériaux non ferromagnétiques incluent :

Ces types d'ustensiles ne sont pas adaptés à la cuisson par induction.

- Acier inoxydable
- Verre
- Céramique
- Cuivre ou aluminium

Pour déterminer si vos ustensiles de cuisson peuvent être utilisés avec une table de cuisson par induction, retourner l'ustensile, tenir un aimant près du fond de l'ustensile et voir s'il y a une attraction. Si l'aimant adhère au fond du plat, cela signifie que le plat est ferromagnétique et qu'il peut être utilisé pour une cuisson par induction.

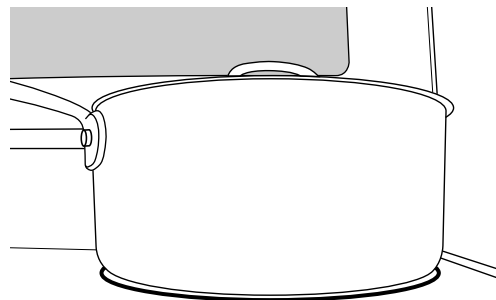
Par ailleurs, beaucoup de fabricants placent désormais un symbole indiquant la compatibilité de l'ustensile avec une cuisson par induction sur le fond de l'ustensile. La compatibilité de l'ustensile avec une cuisson par induction peut aussi être indiquée sur l'emballage. Voir le symbole suivant.



Le chiffre sur l'afficheur de réglage de chaleur de la surface de cuisson clignote si aucun ustensile n'est placé sur la surface de cuisson, ou si l'ustensile de cuisson n'a pas le matériau adapté, ou la taille appropriée. Il arrête de clignoter une fois qu'un ustensile de cuisson approprié est placé sur la surface de cuisson. Si l'utilisateur met plus de 30 secondes avant de placer l'ustensile de cuisson adapté sur la surface de cuisson, celle-ci s'éteint. Si l'on ne fait rien pendant 90 secondes, la table de cuisson s'éteint.

Les ustensiles de cuisson idéals doivent avoir un fond plat, des parois droites, un couvercle qui ferme hermétiquement et le matériau doit être d'épaisseur moyenne à forte.

Choisir la taille d'ustensile appropriée pour chaque surface de cuisson. Le diamètre de la base de l'ustensile doit correspondre à la taille de la surface de cuisson.



REMARQUE : Les fabricants d'ustensiles de cuisson indiquent souvent le diamètre sur le dessus de l'ustensile. Il est souvent plus grand que le diamètre de la base.

Les ustensiles avec finis rugueux peuvent érafler la table de cuisson.

Mise en conserve à la maison

La mise en conserve peut se faire sur la table de cuisson à induction. Voir la section "Ustensiles de cuisson" pour vérifier si l'autoclave fonctionne sur la table de cuisson à induction. Lors de la préparation de conserves pendant de longues périodes, alterner l'utilisation des surfaces de cuisson ou des éléments entre les quantités préparées. Ceci permet aux dernières surfaces utilisées de refroidir.

- Centrer l'autoclave sur la plus grande surface de cuisson ou sur le plus grand élément. Sur les tables de cuisson électriques, l'autoclave ne doit pas dépasser de plus de 1/2" (1,3 cm) hors de la surface de cuisson ou l'élément de cuisson.
- Ne pas placer l'autoclave sur deux surfaces de cuisson ou deux éléments à la fois.
- Sur les modèles en vitrocéramique, utiliser seulement des boîtes de conserve à fond plat pour éviter d'endommager la table de cuisson et les éléments.
- Pour plus de renseignements, contacter votre bureau de développement agricole local, ou consulter les guides de mise en conserve à la maison. Les compagnies qui fabriquent des produits pour la préparation de conserves peuvent aussi offrir de l'aide.

Four

Des odeurs et de la fumée sont normales lorsque le four est utilisé les premières fois, ou lorsqu'il est très sale.

IMPORTANT : La santé de certains oiseaux est très sensible aux émanations de fumée. L'exposition aux émanations peut entraîner la mort de certains oiseaux. Toujours déplacer les oiseaux dans une autre pièce fermée et bien aérée.

Papier d'aluminium

IMPORTANT : Pour éviter des dommages permanents au fini du fond du four, ne pas recouvrir le fond du four avec du papier d'aluminium ou un revêtement quelconque.

Pour assurer une bonne circulation de l'air et des résultats de cuisson optimaux, ne pas recouvrir la grille entière de papier d'aluminium.

Positionnement des grilles et des ustensiles de cuisson au four

IMPORTANT : Afin d'éviter d'endommager irrémédiablement la finition en émail, ne pas placer d'aliments ou d'ustensiles de cuisson au four directement sur la porte ou sur le fond du four.

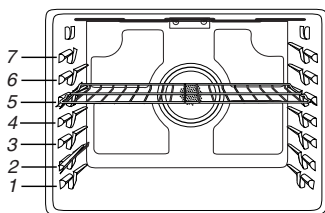
Ustensiles de cuisson

L'air chaud doit pouvoir circuler autour de l'aliment pour le cuire uniformément. Laisser 2" (5 cm) entre les ustensiles de cuisson et les parois du four. S'assurer qu'aucun ustensile de cuisson ne se trouve directement au-dessus d'un autre.

Grilles

- Placer les grilles avant d'allumer le four.
- Ne pas déplacer les grilles lorsque des ustensiles de cuisson se trouvent dessus.
- S'assurer que les grilles sont horizontales.

Pour déplacer une grille, la tirer jusqu'à la butée, soulever l'avant puis la retirer. Se servir de l'illustration et du tableau suivants comme guide.

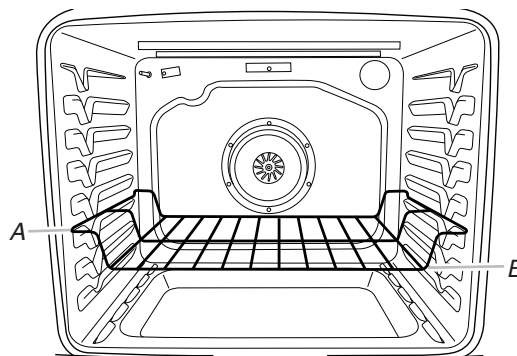


Le four possède 7 positions pour grille plate, comme indiqué dans l'illustration précédente et le tableau suivant.

Position de la grille plate*	Type d'aliment
7	Cuire au grill/griller les viandes, les hamburgers, les steaks
6	Viandes grillées, volaille, poisson
3 ou 4	La plupart des produits de boulangerie, plats en sauce, plats surgelés
2	Viandes rôties
1	Gros rôtis/volailles

Pour qu'une galette à hamburger soit bien saisie à l'extérieur tout en restant bien souple à l'intérieur, utiliser une grille plate en position 7. Cuire le 1^{er} côté pendant 2½ à 3½ minutes. Cuire le 2^e côté pendant 4 à 5 minutes. Une légère fumée peut se dégager durant la cuisson au grill.

*Si votre modèle possède une grille de four à capacité maximale, les bords surélevés doivent être placés dans la position immédiatement supérieure à la position souhaitée pour les aliments. Voir l'illustration ci-dessous.



A. Bordures de grille en position 3

B. Aliments en position 2

IMPORTANT : Ces positions de grille concernent les grilles plates. En cas d'utilisation d'une grille de four à capacité maximale, la position de la grille doit être ajustée en conséquence comme dans l'illustration précédente.

Cuisson sur plusieurs grilles

Cuisson sur 2 grilles (sans convection) : Utiliser les positions de grille 2 et 5 ou 3 et 6.

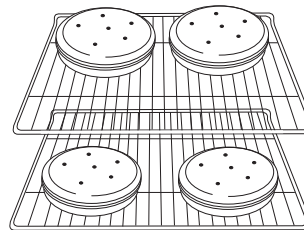
Cuisson sur 2 grilles (avec convection) : Utiliser les positions de grille 2 et 5 ou 3 et 6.

Cuisson sur 3 grilles (avec convection) : Utiliser une grille plate aux positions 2 et 7 et une grille de four à capacité maximale en position 5.

Cuisson au four de biscuits et de gâteaux à étages sur 2 grilles

Cuisson au four de gâteaux à étages

Pour une cuisson optimale de gâteaux sur 2 grilles, utiliser la fonction Bake (cuisson au four), une grille plate en position 3 et une grille déployante en position 5. Placer les gâteaux sur les grilles tel qu'indiqué. Prévoir un espace d'au moins 3" (7,6 cm) entre le bord avant des grilles et les gâteaux les plus proches de la vitre.



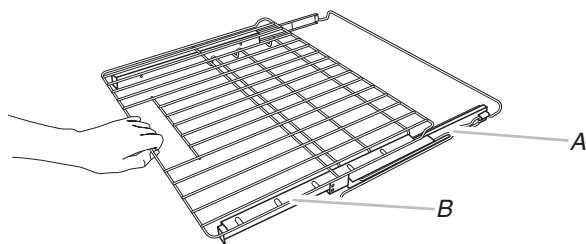
Cuisson au four de biscuits

Pour une cuisson optimale de biscuits sur 2 grilles, utiliser la fonction Convection Bake (cuisson au four par convection), une grille plate en position 3 et une grille déployante en position 5.

Grille déployante

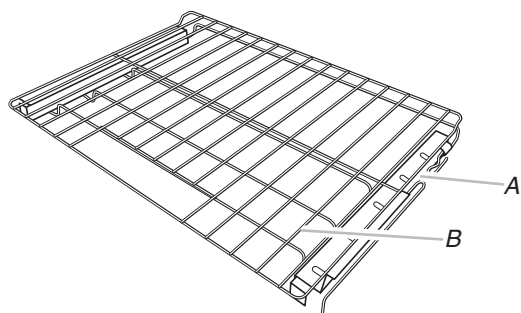
Cette grille déployante offre un accès facile à l'utilisateur pour le positionnement et le retrait des aliments. Il n'est pas conseillé d'utiliser la grille déployante à la position supérieure (position 7) ou à la position inférieure (position 1).

Position déployée



A. Pourtour de grille
B. Grille coulissante

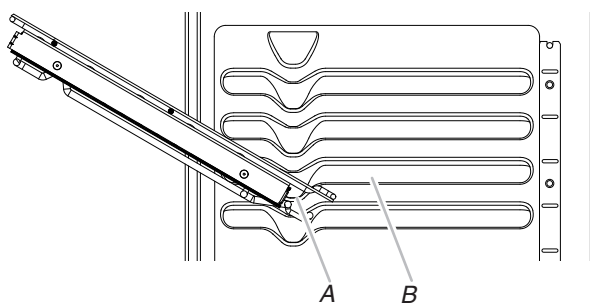
Position rétractée et emboîtée



A. Pourtour de grille
B. Grille coulissante

Insertion de la grille déployante

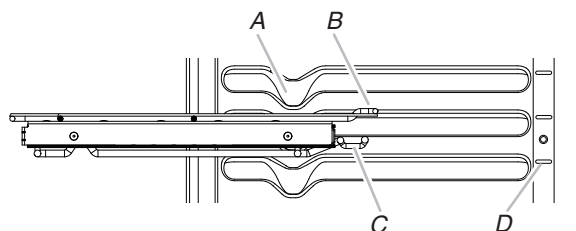
1. Incliner l'avant de la grille vers le haut et insérer le pourtour de la grille dans l'encoche en "V" des glissières de grille à l'intérieur de la cavité du four.



A. Ouverture en "V"
B. Glissières de grille

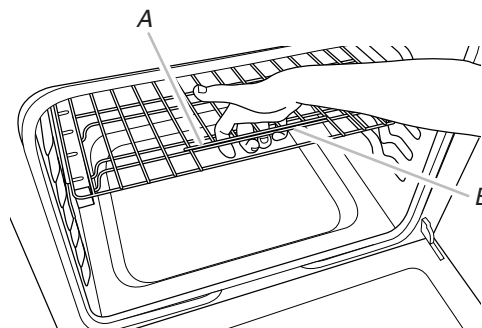
2. Garder la grille inclinée vers le haut et l'enfoncer au-delà de l'encoche inférieure en "V".

3. Abaisser l'avant de la grille et l'introduire avec précaution dans le four en la faisant glisser au-delà des encoches en "V". Enfoncer la grille à l'intérieur du four jusqu'à ce qu'elle bute sur l'échelle dans le fond du four.



A. Ouverture en "V"
B. Glissières de grille
C. Crochet de l'échelle
D. Échelle

4. Passer la main sur la grille pour agripper la grille coulissante et la barre transversale avant. Soulever l'avant de la grille et pousser la grille à l'arrière du four. Abaisser l'avant de la grille pour que le crochet de l'échelle s'engage dans l'échelle de chaque côté du four.



A. Grille coulissante
B. Grille transversale avant

Dépose de la grille déployante

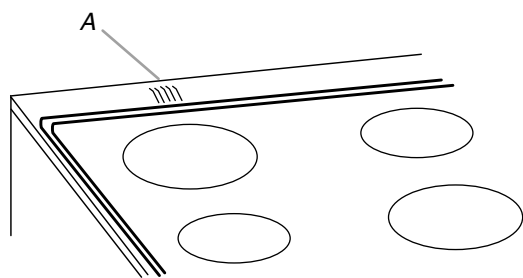
1. Enfoncer complètement la grille coulissante jusqu'à ce qu'elle soit rétractée et emboîtée.
2. Passer la main sur la grille pour agripper la grille coulissante et la barre transversale avant. Soulever l'avant de la grille pour dégager le crochet de l'échelle au fond du four, et tirer la grille vers l'avant.
3. Avec les deux mains, retirer simultanément la grille coulissante et son pourtour avec précaution pour les extraire de l'encoche en "V". Incliner la grille de façon à ce que l'avant soit plus haut que l'arrière et la retirer avec précaution pour l'extraire de l'encoche en "V", puis du four.

Pour éviter d'endommager la grille coulissante, ne pas placer plus de 25 lb (11,4 kg) sur la grille.

Ne pas nettoyer la grille déployante au lave-vaisselle. Ceci pourrait enlever le lubrifiant de la grille et affecter la capacité de celle-ci à glisser.

Voir la section "Nettoyage général" pour plus de renseignements.

Évent du four



A. Évent du four

L'évent du four permet l'évacuation de l'air chaud et de l'humidité du four et ne doit pas être obstrué ou couvert. Le fait d'obstruer ou de couvrir l'évent nuit à la circulation adéquate de l'air et affecte les résultats de cuisson et de nettoyage. Ne pas placer près de l'évent du four des produits en plastique, en papier ou d'autres articles qui pourraient fondre ou brûler.

Mode Sabbat

Le mode Sabbat maintient le réglage de cuisson au four tant que le four n'est pas éteint.

Lorsque le mode Sabbat est réglé, seul le programme de cuisson au four fonctionne. Tous les autres programmes de cuisson et de nettoyage sont désactivés. Aucun signal sonore ne retentit et les affichages n'indiquent pas les changements de température.

Lorsque la porte du four est ouverte ou fermée, la lampe du four ne s'allume ou ne s'éteint pas et les éléments de chauffage ne s'allument ou ne s'éteignent pas immédiatement.

Activation du mode Sabbat (une seule fois) :

1. Appuyer sur OPTIONS/CLOCK (options/horloge) jusqu'à afficher "SABBATH" (sabbat). "OFF. Press (1) for On" (Inactif. appuyer sur (1) pour activer) défile sur l'affichage.
2. Appuyer sur la touche "1". "ON. Press (1) for Off" (actif. Appuyer sur (1) pour désactiver) défile sur l'affichage. Le mode Sabbat peut être utilisé pour la cuisson au four.
3. Appuyer sur START (mise en marche) pour mémoriser le réglage.
4. Appuyer sur CANCEL UPPER (annulation du four supérieur) pour quitter et afficher l'heure.

REMARQUE : Pour désactiver le mode Sabbat, répéter les étapes 1 à 4 pour changer l'état de "SABBATH ON" (mode Sabbat actif) à "SABBATH OFF" (mode Sabbat inactif).

Activation du mode Sabbat :

1. Appuyer sur BAKE (cuisson au four).
2. Appuyer sur les touches numériques pour entrer une température autre que 350°F (177°C).
3. Appuyer sur START (mise en marche).
Pour une cuisson minutée au mode Sabbat, appuyer sur COOK TIME (durée de cuisson), puis sur les touches numériques pour régler la durée de cuisson désirée.
4. Appuyer sur OPTIONS/CLOCK (options/horloge). Trois signaux sonores retentissent. Appuyer ensuite sur "7". "Sab" apparaît sur l'affichage.

Réglage de la température (lorsque le mode Sabbat fonctionne) :

1. Appuyer sur les touches numériques comme indiqué par le texte déroulant afin de sélectionner la nouvelle température.
REMARQUE : Le changement de température n'apparaît pas sur l'affichage et aucun son n'est émis. Le texte déroulant s'affiche tel qu'il était avant que l'on n'appuie sur la touche.
2. Appuyer sur START (mise en marche).

Désactivation du mode Sabbat :

Appuyer sur OPTIONS/CLOCK (options/horloge), puis sur "7" pour revenir à la cuisson au four traditionnelle ou sur CANCEL (annulation) pour le four désiré pour éteindre la cuisinière.

Cuisson au four et rôtissage

Préchauffage

Au début d'un programme de cuisson au four (Bake), de cuisson au four avec convection (Convect Bake) ou de rôtissage avec convection (Convect Roast), le four commence par un préchauffage une fois la touche Start (mise en marche) enfoncée. Le four atteint 350°F (177°C) en 12 à 15 minutes environ lorsque toutes les grilles fournies avec le four sont à l'intérieur. Pour atteindre une température plus élevée, le préchauffage est plus long. Le programme de préchauffage augmente rapidement la température du four. La température réelle du four dépasse alors la température programmée, pour compenser la chaleur perdue à l'ouverture du four pour y introduire le plat à cuire. Ainsi, le four entame la cuisson à la température correcte après y avoir placé le plat. Placer les aliments au four lorsque le signal sonore de préchauffage retentit. Ne pas ouvrir la porte du four pendant le préchauffage tant que le signal sonore n'a pas retenti.

Température du four

En cours d'utilisation, les éléments chauffants du four s'allument et s'éteignent en alternance pour maintenir une température constante, mais leur température peut varier légèrement dans un sens ou dans l'autre du fait de cette alternance. L'ouverture de la porte du four en cours d'utilisation laisse échapper l'air chaud et refroidit le four, ce qui peut modifier la durée nécessaire et le résultat de la cuisson. Pour suivre l'avancement de la cuisson, il est conseillé d'utiliser l'éclairage du four.

REMARQUE : Sur les modèles équipés d'une fonction de convection, le ventilateur de convection peut tourner dans le mode de cuisson sans convection pour améliorer la performance du four.

Système de gestion de la température

Le système de gestion de la température régule électroniquement la température du four durant le préchauffage et la cuisson au four afin de maintenir un intervalle précis de températures et optimiser la cuisson. Les éléments de cuisson au four et au gril ou brûleurs s'allument et s'éteignent par intermittence. Pour les cuisinières à convection, le ventilateur fonctionne pendant le préchauffage et peut s'allumer et s'éteindre par intermittence pendant de courts intervalles dans le mode Bake (cuisson au four) afin de produire un meilleur résultat. Cette fonction est automatiquement activée lorsque le four est utilisé.

Avant la cuisson au four et le rôtissage, placer les grilles comme indiqué à la section "Positionnement des grilles et des ustensiles de cuisson". Lors du rôtissage, il n'est pas nécessaire d'attendre la fin du préchauffage du four avant d'y placer la nourriture, sauf si la recette le recommande.

Cuisson au grill

Pour la cuisson au grill, préchauffer le four pendant 2 minutes avant d'y placer des aliments, à moins que la recette ne recommande autre chose. Placer l'aliment sur la grille de la lèchefrite, puis placer celle-ci au centre de la grille du four.

IMPORTANT : Fermer la porte pour une température de cuisson au grill adéquate.

Le changement de température lors de la cuisson au grill permet un contrôle plus précis de la cuisson. Plus le réglage du grill est bas, plus la cuisson est lente. Les morceaux épais et de forme irrégulière de viande, de poisson et de volaille cuisent mieux à des réglages de grill plus bas. Utiliser les grilles 6 ou 7 pour la cuisson au grill. Consulter la section "Positionnement des grilles et ustensiles de cuisson" pour plus d'informations.

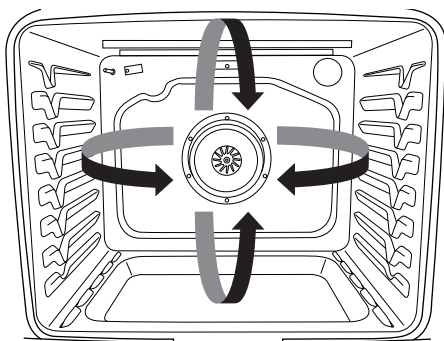
À des réglages inférieurs, l'élément de cuisson au grill s'allume et s'éteint par intermittence afin de maintenir une température adéquate.

- Pour de meilleurs résultats, utiliser une lèchefrite et une grille - elles sont conçues pour laisser s'écouler les jus et aider à éviter les éclaboussures et la fumée.

Il est possible de commander une lèchefrite. Voir la section "Accessoires".

Cuisson par convection

Dans un four à convection, l'air chaud que fait circuler le ventilateur réparti plus uniformément la chaleur que le mouvement naturel de l'air dans un four thermique standard. Ce déplacement d'air chaud contribue à maintenir une température constante dans tout le four, qui permet de cuire les aliments plus uniformément, de dorer leur surface tout en conservant leur humidité naturelle et de donner des pains plus croustillants.



Durant la cuisson ou le rôtissage par convection, les éléments de cuisson au four, cuisson au grill et de convection s'allument et s'éteignent par intermittence tandis que le ventilateur fait circuler l'air chaud. Durant la cuisson au grill par convection, les éléments de cuisson au grill et de convection s'allument et s'éteignent par intermittence.

Si la porte du four est ouverte durant la cuisson par convection, le ventilateur s'éteint immédiatement. Il s'allume à nouveau lorsque la porte du four est fermée.

La cuisson par convection permet de cuire la majorité des aliments à une température plus basse et/ou moins longtemps qu'avec un four thermique standard. Lorsque l'on utilise les modes de cuisson au four par convection manuelle, réduire la durée et la température de cuisson lorsque l'on règle le four. Utiliser le tableau suivant comme guide.

Mode de convection	Recommandation de durée/temp.
Cuisson au four par convection	Température plus basse de 25°F (15°C), réduction éventuelle du temps de cuisson
Rôtissage par convection	Temps de cuisson réduit jusqu'à 30 %
Cuisson au grill par convection	Raccourcissement du temps de cuisson

Lorsque l'on utilise les modes de cuisson au four par convection automatique, le four ajuste automatiquement la durée et la température pour le mode sélectionné.

Modes de cuisson par convection

Modes de cuisson au four par convection manuelle :

Cuisson au four par convection : cuisson au four sur plusieurs grilles de biscuits, pains, plats en sauce, tartes, tourtes et gâteaux.

Rôtissage par convection : poulets ou dindes entiers, légumes, rôtis de porc, rôtis de bœuf.

Cuisson au grill par convection : morceaux plus épais ou inégaux de viande, de poisson ou de volaille.

Modes de cuisson au four par convection automatique :

Viandes - Poulet : entier et en morceaux; pain de viande; rôtis : porc, bœuf, jambon.

Produits de boulangerie - Biscuits, pains rapides, pains à la levure, gâteaux, biscuits, mets en sauce.

Autres - Plats cuisinés surgelés : frites, pépites, bâtonnets de poisson, lasagnes, pizza.

Levée du pain

La levée du pain prépare la pâte pour la cuisson en activant la levure. Suivre les instructions de la recette comme guide. La levée doit être utilisée pour les pâtes fraîches, les pâtes surgelées et pour la première et la deuxième levée.

Pour faire lever la pâte :

Avant la première levée de pain, placer la pâte dans un saladier légèrement graissé et couvrir sans serrer avec du papier ciré recouvert de shortening. Placer sur la glissière de grille 2 et fermer la porte du four.

REMARQUE : Si la température du four est supérieure à 100°F (38°C), "oven cooling" (refroidissement four) s'affiche jusqu'à ce que la température soit inférieure à 100°F (38°C).

1. Appuyer sur PROOF (levée du pain).
2. Appuyer sur START (mise en marche).

Laisser la pâte lever jusqu'à ce qu'elle ait presque doublé de volume. La durée de levée du pain peut varier en fonction du type de pâte et de la quantité.

3. Appuyer sur CANCEL UPPER (annulation four supérieur) lorsque la levée est terminée.

Avant la seconde levée, mettre la pâte en forme, la placer sur la ou les plaques de cuisson et couvrir partiellement. Reprendre le même positionnement et vérifier que les étapes ci-dessus ont bien été suivies. Avant la cuisson au four, retirer la pellicule protectrice.

REMARQUE : Si la température du four est supérieure à 100°F (38°C), l'affichage indique "oven cooling" (refroidissement four) jusqu'à ce que la température soit inférieure à 100°F (38°C).

Recette favorite

La fonction Favorite (recette favorite) conserve le mode du four et la température de cuisson de votre recette favorite. La fonction Recette favorite peut être mémorisée soit pour le four supérieur, soit pour le four inférieur (tiroir de cuisson).

Pour sauvegarder une recette :

1. Lorsque l'on utilise le four pour la cuisson au four, la cuisson au grill, la cuisson au four par convection, la cuisson au grill par convection ou le rôtissage par convection, appuyer sur FAVORITE (recette favorite).
2. Le mode de four, la durée de cuisson et la température actuels apparaissent sur l'afficheur "SAVED" (sauvegardé) s'affiche. La recette est désormais mémorisée.

REMARQUE : On peut sauvegarder une recette à la fois. Quand une nouvelle recette est sauvegardée, elle remplace la recette précédemment sauvegardée.

Pour sélectionner la recette favorite :

1. Appuyer sur FAVORITE (recette favorite). Le mode de four et la température sauvegardés s'affichent.

REMARQUE : La fonction Recette favorite ne sauvegarde pas les durées de cuisson.

2. Appuyer sur START (mise en marche).
3. Une fois que la recette est sélectionnée, le four commence le préchauffage pour le programme réglé.
4. Pour modifier la température, appuyer sur les touches numériques pour régler la température souhaitée.
5. Appuyer sur START (mise en marche).
6. Pour modifier la durée de cuisson, appuyer sur COOK TIME (durée de cuisson).
7. Appuyer sur les touches numériques pour régler la durée de cuisson souhaitée.
8. Appuyer sur START (mise en marche).
9. Appuyer sur CANCEL (annulation) à la fin de la cuisson.

Durée de cuisson

AVERTISSEMENT

Risque d'empoisonnement alimentaire

Ne pas laisser des aliments dans un four plus d'une heure avant ou après la cuisson.

Le non-respect de cette instruction peut causer un empoisonnement alimentaire ou une maladie.

Réglage d'une cuisson minutée :

1. Appuyer sur BAKE (cuisson au four) ou BROIL (cuisson au grill) ou appuyer sur AUTO CONVECT MODES (modes de convection automatique) ou sur MANUAL CONVECT MODES (modes de convection manuelle) jusqu'à afficher le mode de convection correct sur l'affichage.
2. Appuyer sur les touches numériques pour entrer une température autre que celle qui est affichée.
3. Appuyer sur COOK TIME (durée de cuisson). Le témoin lumineux de la durée de cuisson du four s'allume.
4. Appuyer sur les touches numériques pour entrer la durée de cuisson.
5. Appuyer sur START (mise en marche). L'afficheur présente le compte à rebours de la durée. Lorsque la durée est écoulée, le four s'éteint automatiquement.
6. Appuyer sur CANCEL (annulation) pour le four désiré pour effacer l'afficheur.

Réglage d'une cuisson minutée différée :

1. Appuyer sur BAKE (cuisson au four) ou BROIL (cuisson au grill) ou appuyer sur AUTO CONVECT MODES (modes de convection automatique) ou sur MANUAL CONVECT MODES (modes de convection manuelle) jusqu'à afficher le mode de convection correct sur l'affichage.
2. Appuyer sur les touches numériques pour entrer une température autre que celle qui est affichée.
3. Appuyer sur COOK TIME (durée de cuisson). Le témoin lumineux de la durée de cuisson du four s'allume.
4. Appuyer sur les touches numériques pour entrer la durée de cuisson.
5. Appuyer sur DELAY START (mise en marche différée).
6. Appuyer sur les touches numériques pour entrer le nombre d'heures et/ou de minutes dont on souhaite différer l'heure de mise en marche.
7. Appuyer sur START (mise en marche).

Lorsque l'heure de mise en marche est atteinte, le four s'allume automatiquement. Les réglages de température et/ou de durée peuvent être modifiés en tout temps après avoir appuyé sur Start (mise en marche) en répétant les étapes 2 à 7. Lorsque la durée de cuisson réglée est écoulée, le four s'éteint automatiquement.

8. Appuyer sur CANCEL (annulation) pour le four désiré pour effacer l'afficheur.

Tiroir de cuisson

AVERTISSEMENT

Risque d'empoisonnement alimentaire

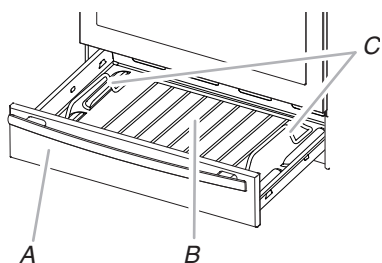
Ne pas laisser des aliments reposer plus d'une heure avant ou après la cuisson.

Le non-respect de cette instruction peut causer un empoisonnement alimentaire ou une maladie.

L'usage du tiroir de cuisson est hautement recommandé pour cuire les aliments surgelés au four. Régler la température et la durée de cuisson moyenne indiquées sur l'emballage de l'aliment surgelé. Par exemple, si l'emballage recommande une durée de cuisson de 15-20 minutes, régler la durée de cuisson sur 17 minutes. Contrôler le degré de cuisson des aliments avant de les retirer du tiroir de cuisson.

Le tiroir de cuisson peut également être utilisé pour la cuisson au four conventionnelle, et pour maintenir au chaud les aliments cuits. Il n'est pas recommandé de préparer dans le tiroir de cuisson des aliments dont la hauteur dépasse les poignées de la grille du tiroir de cuisson, ou encore des aliments susceptibles de lever à une hauteur supérieure à 2½" (6,4 cm).

IMPORTANT : Toujours utiliser la grille du tiroir de cuisson lorsque l'on se sert du tiroir de cuisson.



A. Tiroir de cuisson

B. Grille du tiroir de cuisson

C. Poignées de la grille du tiroir de cuisson

Voir la section "Nettoyage général" pour plus de renseignements.

Cuisson avec le tiroir de cuisson :

1. Appuyer sur LOWER OVEN BAKE (cuisson au four inférieur).
2. Régler la température souhaitée entre 170°F (75°C) et 449°F (232°C) en utilisant les touches numériques. La température par défaut est de 350°F (180°C).
3. Appuyer sur START (mise en marche).
4. Pour modifier la température, répéter les étapes 2 et 3. Appuyer sur START (mise en marche) ou attendre que le changement soit pris en compte.
5. Appuyer sur CANCEL LOWER (annulation four inférieur) après avoir terminé.
6. Retirer les aliments du tiroir.

Maintien au chaud avec le tiroir de cuisson :

Les aliments doivent être à la température de service avant d'être placés dans le tiroir chaud.

1. Placer les aliments dans le tiroir de cuisson.
2. Appuyer sur LOWER OVEN KEEP WARM (maintien au chaud four inférieur).
3. Régler la température souhaitée entre 145°F (63°C) et 190°F (88°C) en utilisant les touches numériques. La température par défaut est de 170°F (75°C).
4. Appuyer sur START (mise en marche).
5. Appuyer sur CANCEL LOWER (annulation four inférieur) après avoir terminé.
6. Retirer les aliments du tiroir de cuisson.

Lampe du four

La lampe du four est une ampoule standard de 40 watts pour appareil électroménager. Avant le remplacement, s'assurer que le four et la table de cuisson sont froids et que les boutons de commande sont à la position d'arrêt.

Remplacement :

1. Débrancher la cuisinière ou déconnecter la source de courant électrique.
2. Tourner le protège-ampoule en verre à l'arrière du four dans le sens antihoraire et l'enlever.
3. Tourner l'ampoule dans le sens antihoraire pour l'enlever de la douille.
4. Remplacer l'ampoule et replacer le protège-ampoule en le tournant dans le sens horaire.
5. Brancher la cuisinière ou reconnecter la source de courant électrique.

Programme de nettoyage

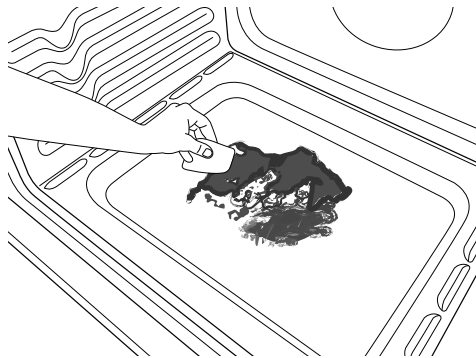
AquaLift® Self-Cleaning Technology

La technologie AquaLift® est une solution de nettoyage novatrice qui utilise la chaleur et l'eau pour débarrasser le four des produits renversés cuits en moins d'une heure. Cette nouvelle technologie de nettoyage est une alternative à basse température et sans odeurs aux options traditionnelles de nettoyage automatique.

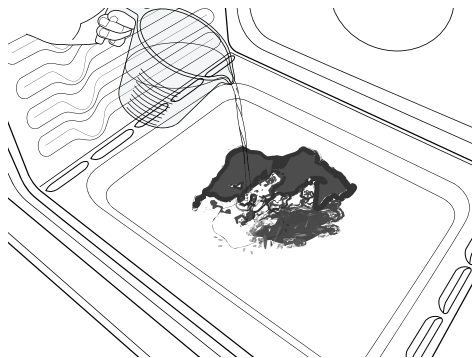
Laisser le four refroidir et atteindre la température ambiante avant d'utiliser le programme de nettoyage. Si la température de la cavité du four est supérieure à 200°F (93°C), "Oven Cooling" (refroidissement du four) apparaît sur l'afficheur et le programme de nettoyage ne s'activera pas avant que la cavité ait refroidi.

Nettoyage :

1. Retirer toutes les grilles et tous les accessoires de la cavité du four et essuyer l'excès de saleté. Utiliser une spatule en plastique pour enlever les saletés faciles à enlever.



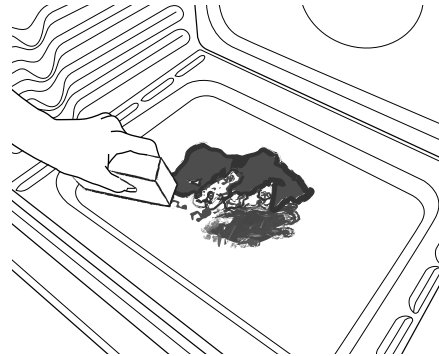
2. Verser 2 tasses (16 oz [500 mL]) d'eau distillée ou filtrée dans le fond du four vide et fermer la porte du four.



IMPORTANT : Ne pas utiliser des produits chimiques ou d'autres additifs avec l'eau. Ne pas ouvrir la porte du four au cours du programme de lavage. L'eau au fond du four est chaude.

3. Appuyer sur AQUALIFT SELF CLEAN (autonettoyage AQUALIFT) et ensuite sur START (mise en marche) sur le tableau de commande du four.
4. Accorder 40 minutes pour le nettoyage et le refroidissement. Un signal sonore vous avertit lorsque le programme de nettoyage est terminé.

5. Appuyer sur CANCEL UPPER (annulation du four SUPÉRIEUR) à la fin du programme. On peut appuyer sur Cancel Upper (annulation du four supérieur) à tout moment pour arrêter le programme de nettoyage.
6. Enlever l'eau résiduelle et les saletés délogées avec une éponge ou un chiffon immédiatement après la fin du programme de nettoyage. La plupart de l'eau initiale contenue dans 2 tasses (16 oz [500 mL]) restera dans le four après la fin du programme de nettoyage. S'il reste encore des saletés, laisser une petite quantité d'eau au fond du four pour aider le nettoyage.



7. S'il reste des saletés, les enlever avec une éponge à gratter douce ou une spatule en plastique. Des programmes de nettoyage supplémentaires peuvent être lancés pour aider à se débarrasser des saletés tenaces.

IMPORTANT : Ne pas utiliser de nettoyants à four. L'utilisation de produits chimiques, y compris les nettoyants à four qu'on retrouve sur le marché, ou des tampons à récurer métalliques, pourrait causer des dommages permanents à la surface en porcelaine qui se trouve à l'intérieur du four.

REMARQUES :

- La cuisinière doit être d'aplomb de façon à s'assurer que la surface du fond de la cavité du four est couverte par l'eau au début du programme de nettoyage.
- Pour des résultats optimaux, utiliser de l'eau distillée ou filtrée. L'eau du robinet pourrait laisser des dépôts minéraux sur le fond du four.
- Avant d'enlever l'eau résiduelle et les saletés délogées à la fin du programme de nettoyage, insérer un chiffon ou un essuie-tout entre l'extrémité inférieure de la porte du four et l'avant du châssis, afin d'empêcher l'eau de se déverser sur le devant de la cuisinière et le plancher.
- Les saletés cuites suite à plusieurs programmes de cuisson seront plus difficiles à enlever avec le programme de nettoyage.
- Les éponges à gratter non abrasives ou les tampons nettoyeurs en gomme (sans nettoyants) peuvent être efficaces pour le nettoyage des parois de la cavité du four, de la porte du four et du fond du four pour les saletés difficiles. Pour de meilleurs résultats, mouiller les tampons et les éponges avant de les utiliser.
- Exécuter un programme de nettoyage supplémentaire pour les saletés tenaces.

- Le nettoyant pour appareils ménagers de cuisine affresh® et le nettoyant pour table de cuisson affresh® peuvent être utilisés pour nettoyer le fond du four, ses parois et sa porte lorsque le four a terminé le programme de nettoyage et que sa température est redevenue ambiante. Si l'on utilise le nettoyant pour table de cuisson affresh®, il est recommandé d'essuyer aussi la cavité avec de l'eau distillée. Consulter la section "Accessoires" pour obtenir des renseignements sur la commande.
- Des ensembles de nettoyage à technologie AquaLift® supplémentaires peuvent être obtenus en commandant la pièce numéro W104231 13RP. Voir la section "Accessoires" pour plus d'informations.
- Pour obtenir de l'aide concernant la technologie AquaLift®, appeler le 1-800-807-6777 ou visiter notre site Web <http://whr.pl/aqualift>.

Nettoyage général

IMPORTANT : Avant le nettoyage, s'assurer que toutes les commandes sont éteintes et que le four et la table de cuisson sont froids. Toujours suivre les instructions figurant sur les étiquettes des produits de nettoyage. Pour plus d'informations, visiter notre site Web à l'adresse www.jennair.ca.

Du savon, de l'eau et un chiffon doux ou une éponge sont recommandés, à moins d'indication contraire.

SURFACES EXTÉRIEURES ÉMAILLÉES (sur certains modèles)

Les éclaboussures alimentaires acides, comme du vinaigre et de la tomate, doivent être nettoyés dès que la cuisinière a refroidi. Ces salissures peuvent endommager la fini.

Méthode de nettoyage :

- Nettoyant à vitre, nettoyant doux liquide ou tampon à récurer non abrasif :
Nettoyer doucement autour de la plaque signalétique car le frottement pourrait en effacer les chiffres.
- Nettoyant pour cuisine et appareils ménagers affresh® référence W10355010 (non fourni) :
Voir la section "Accessoires" pour plus de renseignements.

ACIER INOXYDABLE (sur certains modèles)

REMARQUE : Afin d'éviter d'endommager les surfaces en acier inoxydable, ne pas utiliser de tampons à récurer savonneux, de nettoyants abrasifs, de crème à polir pour table de cuisson, de tampons en laine d'acier, de chiffons de lavage rêches ou d'essuie-tout abrasifs. Ils peuvent endommager les surfaces en acier inoxydable, même après une seule application ou quelques-unes.

Méthode de nettoyage :

Frotter dans la direction du grain pour éviter les dommages.

- Nettoyant pour acier inoxydable affresh® référence W10355016 (non fourni) :
Voir la section "Accessoires" pour plus de renseignements.
- Détergent liquide ou nettoyant tout usage :
Rincer à l'eau propre et sécher avec un chiffon doux sans charpie.

PEINTURE MÉTALLIQUE (sur certains modèles)

Ne pas utiliser de nettoyants abrasifs, de nettoyants avec agent de blanchiment, de produits antirouille, d'ammoniaque ou d'hydroxyde de sodium (soude), car la surface peinte pourrait se tacher.

VITROCÉRAMIQUE

Méthode de nettoyage :

Utiliser le nettoyant pour table de cuisson affresh® référence W10355051 avec le tampon à nettoyer les tables de cuisson référence W10391473 et le grattoir pour table de cuisson référence WA906B pour nettoyer et éliminer les taches de la table de cuisson. Utiliser régulièrement le protecteur de table de cuisson référence 31463A pour éviter les taches, les piqûres et les éraflures, entretenir la table de cuisson et faciliter son nettoyage. Ces produits peuvent être commandés comme accessoires. Voir la section "Accessoires" pour plus de renseignements. Le grattoir pour table de cuisson utilise des lames de rasoir. Ranger les lames de rasoir hors de portée des enfants.

Ne pas utiliser de laine d'acier, de poudre à récurer abrasive, d'eau de Javel, de produit antirouille ou d'ammoniaque, car ces produits peuvent endommager la surface.

Salissure légère à modérée

- Peut se nettoyer avec des essuie-tout ou une éponge humide. Pour les petites taches, on peut utiliser le nettoyant et le tampon à nettoyer.

Éclaboussures sucrées (gelées, confiseries, sirop)

- Grattoir pour table de cuisson :
Gratter les salissures à base de sucre pendant que la table de cuisson est encore tiède. Il est suggéré de porter des mitaines de four pour nettoyer la table de cuisson.
- Nettoyant pour table de cuisson affresh® et tampons à nettoyer les tables de cuisson :
Nettoyer dès que la table de cuisson a refroidi. Frotter le produit sur la surface au moyen d'un tampon à nettoyer les tables de cuisson. Continuer de frotter jusqu'à ce que la pellicule blanche disparaisse.

Souillure épaisse, rayures foncées, piqûres et décoloration

- Utiliser le nettoyant pour table de cuisson affresh® ou un nettoyant non abrasif et les tampons à nettoyer les tables de cuisson.

Salissure brûlée

- Nettoyant pour table de cuisson affresh® ou nettoyant non abrasif et tampons à nettoyer les tables de cuisson :
Nettoyer dès que la table de cuisson a refroidi. Frotter le produit sur la salissure au moyen d'un tampon à nettoyer les tables de cuisson. Continuer de frotter jusqu'à ce que la pellicule blanche disparaisse.

Traces métalliques d'aluminium et de cuivre

- Nettoyant pour table de cuisson affresh® et tampons à nettoyer les tables de cuisson :
Nettoyer dès que la table de cuisson a refroidi. Frotter le produit sur la surface au moyen d'un tampon à nettoyer les tables de cuisson. Continuer de frotter jusqu'à ce que la pellicule blanche disparaisse. Les marques ne disparaîtront pas totalement, mais deviendront moins apparentes après plusieurs nettoyages.

Petites éraflures et abrasions

- Nettoyant pour table de cuisson affresh® et tampons à nettoyer les tables de cuisson :
Nettoyer dès que la table de cuisson a refroidi. Frotter le produit sur la surface au moyen d'un tampon à nettoyer les tables de cuisson. Continuer de frotter jusqu'à ce que la pellicule blanche disparaisse. Les éraflures et les abrasions ne nuisent pas au fonctionnement et deviennent moins apparentes après plusieurs nettoyages.

COMMANDES DE LA TABLE DE CUISSON

Afin d'éviter d'endommager les commandes de la table de cuisson, ne pas utiliser de laine d'acier, de nettoyeurs abrasifs ou de nettoyant pour four.

Afin d'éviter toute détérioration, ne pas laisser tremper les boutons de commande.

Lors de la réinstallation des boutons, s'assurer que chacun d'entre eux est en position Off (arrêt).

Sur certains modèles, ne pas enlever les joints sous les boutons.

Méthode de nettoyage :

- Savon et eau :
Tirer les boutons en ligne droite hors du tableau de commande pour les enlever.

TABLEAU DE COMMANDE ET EXTÉRIEUR DE LA PORTE DU FOUR

Afin d'éviter d'endommager le tableau de commande, ne pas utiliser de nettoyeurs abrasifs, de tampons en laine d'acier, de chiffons de lavage rêches ou d'essuie-tout abrasifs.

Méthode de nettoyage :

- Nettoyant à vitre et chiffon doux ou éponge :
Appliquer le nettoyant à vitre sur un chiffon doux ou une éponge, et non directement sur le tableau.
- Nettoyant pour cuisine et appareils ménagers affresh® référence W10355010 (non fourni) :
Voir la section "Accessoires" pour plus de renseignements.

GRILLES DU FOUR

Méthode de nettoyage :

- Tampon en laine d'acier
- Pour les grilles ternies qui glissent difficilement, enduire légèrement les glissières d'huile végétale; cela facilitera leur glissement.

TIROIR DE CUISSON

S'assurer que le tiroir de cuisson est froid et vide avant le nettoyage.

On peut retirer le tiroir de cuisson pour un nettoyage plus facile. Voir la section "Dépose du tiroir de cuisson au four" pour les instructions.

Les éclaboussures alimentaires doivent être nettoyées lorsque le four a refroidi. À haute température, les aliments réagissent avec l'émail et peuvent provoquer la formation de taches, une attaque acide, des piqûres ou des décolorations blanchâtres.

Méthode de nettoyage :

- Détergent doux

CAVITÉ DU FOUR

Utiliser régulièrement la technologie AquaLift® pour nettoyer les éclaboussures dans le four.

Ne pas utiliser de nettoyeurs à four.

Les éclaboussures alimentaires doivent être nettoyées lorsque le four a refroidi. À haute température, les aliments réagissent avec l'émail et peuvent provoquer la formation de taches, une attaque acide, des piqûres ou des décolorations blanchâtres.

Méthode de nettoyage :

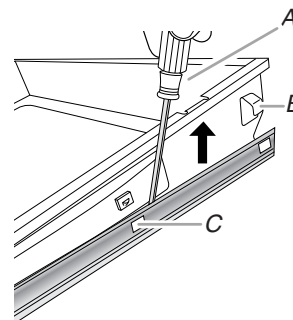
- Programme de nettoyage :
Voir d'abord la section "Programme de nettoyage".

Dépose et réinstallation du tiroir

Enlever tous les articles de l'intérieur du tiroir de cuisson au four et laisser la cuisinière refroidir complètement avant d'essayer d'enlever le tiroir.

Dépose :

1. Ouvrir complètement le tiroir.
2. À l'aide d'un tournevis à lame plate, desserrer doucement le tiroir-réchaud ou le tiroir pour le dégager de l'encoche d'alignement de glissière et soulever l'onglet d'alignement du tiroir pour le dégager de la glissière.

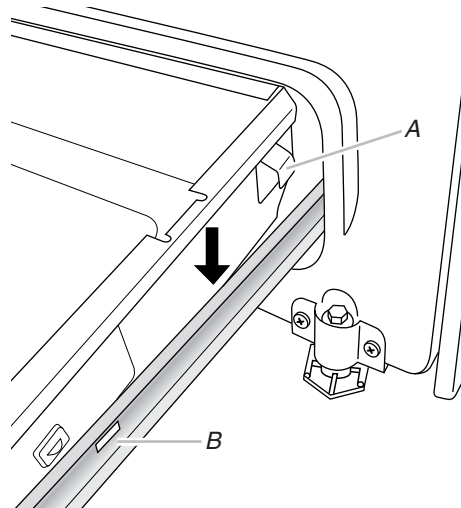


A. Tournevis à lame plate
B. Onglet d'alignement du tiroir
C. Encoche de glissière du tiroir

3. Répéter l'étape 2 pour l'autre côté. Le tiroir n'est plus fixé aux glissières de tiroir. Avec les deux mains, saisir le tiroir pour le retirer complètement.

Réinstallation :

1. Aligner les encoches de l'avant du tiroir avec les encoches des glissières latérales à l'intérieur du tiroir (de chaque côté). Placer les onglets d'alignement arrière dans les glissières de tiroir (de chaque côté).



A. Onglet d'alignement du tiroir
B. Encoche de glissière du tiroir

2. Pousser le tiroir complètement.
3. Ouvrir et fermer délicatement le tiroir pour s'assurer qu'il est bien engagé dans les glissières (de chaque côté).

Résolution de problèmes

Essayer d'abord les solutions suggérées ici. Pour obtenir de l'aide ou des conseils qui permettront peut-être d'éviter une intervention de dépannage, consulter la page de garantie de ce manuel et scanner le code QR avec votre appareil mobile, ou visiter le site Internet <http://www.jennair.ca>.

Vous pouvez adresser tous commentaires ou questions par courrier à l'adresse ci-dessous :

Au Canada :

Jenn-Air Brand Home Appliances
Centre pour l'eXpérience de la clientèle
200 - 6750 Century Ave.
Mississauga, Ontario L5N 0B7

Veuillez indiquer dans votre correspondance un numéro de téléphone où l'on peut vous joindre dans la journée.

Utilisation

PROBLÈME	CAUSES ET/OU SOLUTIONS POSSIBLES
Rien ne fonctionne	Cordon d'alimentation électrique débranché : le brancher à une prise secteur reliée à la terre. Un fusible du domicile est grillé ou un disjoncteur s'est ouvert : remplacer le fusible ou réarmer le disjoncteur. Si le problème persiste, appeler un électricien.
La table de cuisson ne fonctionne pas	Le bouton de commande est mal réglé - Toucher la zone d'affichage sur le tableau de commande pour sélectionner une surface de cuisson avant de sélectionner une fonction. Le verrouillage des commandes de la table de cuisson est réglé - Voir "Verrouillage des commandes" dans la section "Utilisation de la table de cuisson". La table de cuisson est éteinte - La touche Power (mise sous tension) a été enfoncée involontairement. Appuyer de nouveau sur POWER (mise sous tension). Régler de nouveau la table de cuisson.
La cuisson ne produit pas les résultats escomptés	Ustensiles de cuisson inappropriés - Voir la section "Ustensiles de cuisson". Le bouton de commande est réglé sur une puissance de chauffe incorrecte - Voir "Commandes de température de la table de cuisson" dans la section "Utilisation de la table de cuisson". La cuisinière n'est pas d'aplomb - Ajuster l'horizontalité de la cuisinière. Voir les instructions d'installation.
Le four ne fonctionne pas	La commande électronique du four a été incorrectement réglée - Voir la section "Commande électronique du four". La mise en marche différée a été activée - Voir la section "Durée de cuisson". Les commandes du four ont été verrouillées - Voir la fonction de verrouillage des commandes dans la section "Guide des caractéristiques". La cuisinière est en mode démonstration - Le mode démonstration désactivera tous les éléments chauffants. Voir "Mode de démonstration" dans la section "Commandes électroniques du four".
La température du four est trop élevée ou trop basse	Le calibrage de la température du four doit être ajusté - Voir "Commande de température du four" dans la section "Commandes électroniques du four".
Les témoins lumineux du four clignotent	Dépannage nécessaire (les témoins lumineux du four clignotent) - Voir "Affichage des commandes" dans la section "Commandes électroniques du four". Si le(s) témoin(s) lumineux clignote(nt) toujours, faire un appel de service. Voir la page de couverture pour des renseignements de contact.
Le tableau de commande affiche des messages	Panne de courant (l'afficheur indique une heure clignotante) - Effacer l'affichage. Sur certains modèles, régler de nouveau l'horloge au besoin. Voir la caractéristique de touche "Clock" (horloge) à la section "Guide des caractéristiques". Code d'erreur (l'afficheur indique une lettre suivie d'un numéro) - Appuyer sur CANCEL (annulation) pour effacer l'affichage. Voir "Affichage de commande" dans la section "Commandes électroniques du four". S'il réapparaît, appeler le service de dépannage. Voir la page de couverture pour des renseignements de contact.

PROBLÈME	CAUSES ET/OU SOLUTIONS POSSIBLES
<p>La table de cuisson affiche des messages</p>	<p>Le plat utilisé n'est pas adapté (l'animation "changer le plat" apparaît lorsqu'on place une casserole sur une surface de cuisson à induction) - Voir "Détection de plat" dans la section "Utilisation de la table de cuisson". Vérifier que la casserole est bien ferromagnétique. Vérifier que le diamètre de la casserole est assez grand. Centrer la casserole sur la surface de cuisson. Laisser la casserole refroidir si elle chauffe trop en cours d'utilisation. Éteindre la surface de cuisson puis la rallumer. Si l'affichage ne s'allume toujours pas, éteindre l'alimentation au disjoncteur. Attendre 20 secondes et rétablir l'alimentation.</p> <p>Durée de cuisson prolongée (l'affichage de la fonction d'optimisation de rendement clignote puis s'éteint) - La fonction d'optimisation du rendement fait fonctionner la surface de cuisson à la puissance maximale. Pendant des périodes de cuisson longues, il est possible que la fonction désactive la surface de cuisson pour protéger la table de cuisson contre une surchauffe. Vous pouvez continuer à utiliser la table de cuisson si l'affichage ne clignote pas.</p> <p>Code d'erreur ("Er" ainsi que des chiffres clignent sur l'affichage) - Si "Er" et une série de chiffres apparaissent sur le tableau d'affichage, interrompre l'alimentation électrique au niveau du disjoncteur. Remettre en marche. Si le problème persiste, appeler le service clientèle. Voir la page de couverture pour des renseignements de contact.</p>
<p>"F" ou "C" ainsi que des chiffres clignent-ils sur l'affichage? Si "F" ou "C" ainsi qu'un chiffre clignent en alternance sur l'affichage, consulter la section suivante pour trouver une éventuelle solution :</p>	
<p>La table de cuisson s'est éteinte et émet un signal sonore toutes les 10 secondes.</p>	<p>Un objet, des liquides ou des saletés exercent une pression sur le tableau de commande - Bien essuyer les touches ou retirer tout objet qui pourrait gêner.</p>
<p>F42, F43</p>	<p>La tension est trop faible ou trop élevée - Éteindre la table de cuisson. Attendre 5 secondes puis la rallumer. Si le problème persiste, contacter un électricien qualifié.</p>
<p>C81, C82, C83</p>	<p>La surface de cuisson a surchauffé - L'arrêt automatique de la surface de cuisson a été activé. Attendre 5 minutes pour qu'elle refroidisse puis la rallumer.</p>
<p>F12, F21, F25, F36, F37, F40, F47, F56, F58, 560, F61, F62, F63, F64</p>	<p>Appeler pour demander une intervention de dépannage. Voir la page de couverture pour des renseignements de contact.</p>
<p>Le programme de nettoyage n'a pas éliminé toutes les salissures</p>	<p>Plusieurs programmes de cuisson avant un programme de nettoyage ou éclaboussures sur les parois et la porte du four - Lancer des programmes de nettoyage supplémentaires. Utiliser le nécessaire de nettoyage à technologie AquaLift®. Pour les salissures tenaces, utiliser le nettoyant pour cuisine et appareils ménagers affresh® ou le nettoyant pour table de cuisson affresh®. Voir la section "Accessoires" pour plus de renseignements.</p>
<p>Des dépôts minéraux se forment au fond du four après le programme de nettoyage</p>	<p>Le programme de nettoyage a été effectué avec de l'eau du robinet - Utiliser de l'eau distillée ou filtrée pour le programme de nettoyage.</p> <p>Utiliser un chiffon imbibé de vinaigre pour enlever les dépôts. Utiliser ensuite un chiffon humide pour enlever complètement tout résidu de vinaigre.</p> <p>La cuisinière n'est pas d'aplomb - Les dépôts minéraux s'accumulent sur les surfaces sèches du fond du four durant le programme de nettoyage. Régler l'aplomb de la cuisinière. Voir les instructions d'installation.</p> <p>Utiliser un chiffon imbibé de vinaigre pour enlever les dépôts. Utiliser ensuite un chiffon humide pour enlever complètement tout résidu de vinaigre.</p>

PROBLÈME	CAUSES ET/OU SOLUTIONS POSSIBLES
La cuisson au four ne produit pas les résultats prévus	<p>La cuisinière n'est pas d'aplomb - Ajuster l'horizontalité de la cuisinière. Voir les instructions d'installation.</p> <p>Le réglage de la température était incorrect - Revérifier la recette dans un livre de cuisine fiable.</p> <p>La température du four a été incorrectement calibrée - Voir "Commande de température du four" dans la section "Commandes électroniques du four".</p> <p>Le four n'a pas été préchauffé : voir la section "Cuisson au four et rôtissage".</p> <p>Les grilles n'étaient pas placées correctement - Voir la section "Positionnement des grilles et ustensiles de cuisson au four".</p> <p>Circulation d'air déficiente autour des ustensiles de cuisson - Voir la section "Positionnement des grilles et ustensiles de cuisson".</p> <p>Répartition irrégulière de la pâte dans le plat - Vérifier que la pâte est répartie uniformément dans le plat.</p> <p>Brunissement excessif des aliments causé par un plat à four terne ou foncé - Diminuer la température du four de 25°F (15°C) ou placer la grille plus haut dans le four.</p> <p>Brunissement insuffisant des aliments causé par un plat à four brillant ou clair - Placer la grille plus bas dans le four.</p> <p>Durée de cuisson incorrecte - Revoir la durée de cuisson.</p> <p>Porte du four non fermée - Vérifier que le plat à four n'empêche pas la fermeture de la porte.</p> <p>La porte du four a été ouverte durant la cuisson - L'ouverture de la porte pour vérifier la cuisson laisse échapper la chaleur du four et peut allonger la durée de cuisson.</p> <p>La grille est trop proche du brûleur de cuisson au four, ce qui brunît trop le fond des aliments cuits au four - Placer la grille plus haut dans le four.</p> <p>Les croûtes des tartes brunissent trop vite - Recouvrir de papier d'aluminium le périmètre de la croûte et/ou réduire la température de cuisson du four.</p> <p>L'échelle de température a été changée de Fahrenheit à Celsius - Les aliments sont trop cuits ou brûlés même aux basses températures. Voir "Fahrenheit et Celsius" dans la section "Commandes électroniques du four".</p>

Bruits

PROBLÈME	CAUSES ET/OU SOLUTIONS POSSIBLES
Sons liés au fonctionnement de la table de cuisson	
Voici quelques bruits normaux avec des explications. Ces sons correspondent à des bruits de fonctionnement normaux.	
Faible bourdonnement	Ceci se produit en cas de cuisson à puissance élevée. Il est dû à la quantité d'énergie transmise de l'appareil à l'ustensile de cuisson - Le bourdonnement faiblit ou cesse lorsque l'alimentation est interrompue.
Crépitement	L'ustensile de cuisson utilisé est composé de différents matériaux. Le bruit est causé par les vibrations dans les jointures entre les différentes couches - Le bruit peut varier selon la quantité et le type d'aliments cuits.
Bruit de ventilateur	Les composants électroniques nécessitent une température contrôlée pour pouvoir fonctionner correctement - La table de cuisson est équipée d'un ventilateur dont la vitesse de fonctionnement varie en fonction de la température détectée. Le ventilateur peut également continuer à fonctionner une fois que la table de cuisson a été éteinte si la température détectée est trop élevée.

Accessoires

Pour les accessoires, consulter notre site Web www.jennair.ca ou nous contacter au 1-800-JENNAIR (1-800-536-6247).

Ensemble d'entretien complet de la table de cuisson

(modèles avec vitrocéramique)
(comprend le nettoyeur, le protecteur, son applicateur, le grattoir et les tampons à nettoyer)

Commander la pièce numéro 31605

Protecteur de table de cuisson

(modèles avec vitrocéramique)
Commander la pièce numéro 31463A

Chiffons pour acier inoxydable affresh®

(modèles en acier inoxydable)
Commander la pièce numéro W10355049

Nettoyeur pour table de cuisson affresh®

(modèles avec vitrocéramique)
Commander la pièce numéro W10355051

Tampons à nettoyer les tables de cuisson

(modèles avec vitrocéramique)
Commander la pièce numéro W10391473

Nettoyeur pour acier inoxydable affresh®

(modèles en acier inoxydable)
Commander la pièce numéro W10355016

Nettoyeur pour cuisine et appareils électroménagers affresh®

Commander la pièce numéro W10355010

Ensemble de nettoyage pour four à technologie AquaLift®

Commander la pièce numéro W10423113RP

Grattoir pour table de cuisson

(modèles avec vitrocéramique)
Commander la pièce numéro WA906B

Nettoyeur et poli pour granite

Commander la pièce numéro W10275756

Nettoyeur pour plateau d'égouttement et grille de cuisinière à gaz

Commander la pièce numéro 31617A

Ensemble pour la mise en conserves

(modèles avec éléments en spirale)
Commander la pièce numéro 242905

Plaque à frire Gourmet

Commander la pièce numéro W10432539

Grille de four plate standard

Commander la pièce numéro W10551060

Grille de four en deux pièces

Commander la pièce numéro 4396927

Grille à capacité maximale

Commander la pièce numéro W10289145

Lèchefrite et grille en porcelaine

Commander la pièce numéro 4396923

Lèchefrite et grille de rôtissage de qualité supérieure

Commander la pièce numéro W10123240

Jeu de garnitures

Blanc - Commander la pièce numéro W10675027

Noir - Commander la pièce numéro W10675026

Acier inoxydable - Commander la pièce numéro W10675028

Panneau anti-éclaboussures

Blanc - Commander la pièce numéro W10655448

Noir - Commander la pièce numéro W10655449

Acier inoxydable - Commander la pièce numéro W10655450

Ensemble grill

Commander la pièce numéro W10432545

GARANTIE LIMITÉE DES GROS APPAREILS MÉNAGERS JENN-AIR®

ATTACHEZ ICI VOTRE REÇU DE VENTE. UNE PREUVE D'ACHAT EST OBLIGATOIRE POUR OBTENIR L'APPLICATION DE LA GARANTIE.

Lorsque vous appelez le centre d'eXpérience de la clientèle, veuillez garder à disposition les renseignements suivants :

- Nom, adresse et numéro de téléphone
- Numéros de modèle et de série
- Une description claire et détaillée du problème rencontré
- Une preuve d'achat incluant le nom et l'adresse du marchand ou du détaillant

SI VOUS AVEZ BESOIN DE SERVICE :

1. Avant de nous contacter pour obtenir un dépannage, veuillez déterminer si des réparations sont nécessaires pour votre produit. Certains problèmes peuvent être résolus sans intervention de dépannage. Prenez quelques minutes pour parcourir la section Dépannage ou Résolution de problèmes du guide d'utilisation et d'entretien, scannez le code QR ci-contre avec votre téléphone intelligent pour accéder à des ressources supplémentaires, ou rendez-vous sur le site <http://www.jennair.ca>.
2. Tout service sous garantie doit être effectué exclusivement par nos fournisseurs de dépannage autorisés Jenn-Air. Aux E.-U. et au Canada, dirigez toutes vos demandes de service sous garantie au

Centre d'eXpérience de la clientèle Jenn-Air

1-800-JENNAIR (1-800-536-6247)



<http://www.jennair.ca>

Si vous résidez à l'extérieur du Canada et des 50 États des États-Unis, contactez votre marchand Jenn-Air autorisé pour déterminer si une autre garantie s'applique.

GARANTIE LIMITÉE DE UN AN

CE QUI EST COUVERT

Pendant un an à compter de la date d'achat, lorsque ce gros appareil ménager est installé, utilisé et entretenu conformément aux instructions jointes à ou fournies avec le produit, la marque Jenn-Air de Whirlpool Corporation ou Whirlpool Canada, LP (ci-après désignées "Jenn-Air") décidera à sa seule discrétion de remplacer le produit ou de couvrir le coût des pièces spécifiées par l'usine et de la main-d'œuvre nécessaires pour corriger les vices de matériaux ou de fabrication qui existaient déjà lorsque ce gros appareil ménager a été acheté. S'il est remplacé, l'appareil sera couvert pour la période restant à courir de la garantie limitée d'un an du produit d'origine.

LE SEUL ET EXCLUSIF RECOURS DU CLIENT DANS LE CADRE DE LA PRÉSENTE GARANTIE LIMITÉE CONSISTE EN LA RÉPARATION PRÉVUE PAR LA PRÉSENTE. Le service doit être fourni par une compagnie de service désignée par Jenn-Air. Cette garantie limitée est valide uniquement aux États-Unis ou au Canada et s'applique exclusivement lorsque le gros appareil ménager est utilisé dans le pays où il a été acheté. La présente garantie limitée est valable à compter de la date d'achat initial par le consommateur. Une preuve de la date d'achat initial est exigée pour obtenir un dépannage dans le cadre de la présente garantie limitée.

CE QUI N'EST PAS COUVERT

1. Usage commercial, non résidentiel ou par plusieurs familles, ou non-respect des instructions de l'utilisateur, de l'opérateur ou des instructions d'installation.
2. Visite d'instruction à domicile pour montrer à l'utilisateur comment utiliser l'appareil.
3. Visites de service pour rectifier une installation ou un entretien fautifs du produit, une installation non conforme aux codes d'électricité ou de plomberie, ou la rectification de l'installation électrique ou de la plomberie du domicile (ex : câblage électrique, fusibles ou tuyaux d'arrivée d'eau du domicile).
4. Pièces consommables (ex : ampoules, batteries, filtres à air ou à eau, solutions de conservation, etc.).
5. Conversion de votre produit du gaz naturel ou du gaz de pétrole liquéfié.
6. Dommages causés par : accident, mésusage, abus, incendie, inondations, catastrophe naturelle ou l'utilisation de produits non approuvés par Jenn-Air.
7. Réparations aux pièces ou systèmes dans le but de rectifier un dommage ou des défauts résultant d'une réparation, altération ou modification non autorisée faite à l'appareil.
8. Défauts d'apparence, notamment les éraflures, traces de choc, fissures ou tout autre dommage subi par le fini de l'appareil ménager, à moins que ces dommages ne résultent de vices de matériaux ou de fabrication et ne soient signalés à Jenn-Air dans les 30 jours suivant la date d'achat.
9. Décoloration, rouille ou oxydation des surfaces résultant d'environnements caustiques ou corrosifs incluant des concentrations élevées de sel, un haut degré d'humidité ou une exposition à des produits chimiques (exemples non exhaustifs).
10. Perte d'aliments ou de médicaments due à la défaillance du produit.
11. Enlèvement ou livraison. Ce produit est conçu pour être réparé à l'intérieur du domicile.
12. Frais de déplacement et de transport pour le dépannage/la réparation dans une région éloignée où une compagnie de service Jenn-Air autorisée n'est pas disponible.
13. Retrait ou réinstallation d'appareils inaccessibles ou de dispositifs préinstallés (ex : garnitures, panneaux décoratifs, plancher, meubles, îlots de cuisine, plans de travail, panneaux de gypse, etc.) qui entravent le dépannage, le retrait ou le remplacement du produit.
14. Service et pièces pour des appareils dont les numéros de série et de modèle originaux ont été enlevés, modifiés ou ne peuvent pas être facilement identifiés.

Le coût d'une réparation ou d'un remplacement dans le cadre de ces circonstances exclues est à la charge du client.

CLAUSE D'EXONÉRATION DE RESPONSABILITÉ AU TITRE DES GARANTIES IMPLICITES

LES GARANTIES IMPLICITES, Y COMPRIS LES GARANTIES APPLICABLES DE QUALITÉ MARCHANDE OU D'APTITUDE À UN USAGE PARTICULIER, SONT LIMITÉES À UN AN OU À LA PLUS COURTE PÉRIODE AUTORISÉE PAR LA LOI. Certains États et provinces ne permettent pas de limitation sur la durée des garanties implicites de qualité marchande ou d'aptitude à un usage particulier, de sorte que la limitation ci-dessus peut ne pas être applicable dans votre cas. Cette garantie vous confère des droits juridiques spécifiques et vous pouvez également jouir d'autres droits qui peuvent varier d'une juridiction à l'autre.

EXONÉRATION DE RESPONSABILITÉ DANS LES DOMAINES NON COUVERTS PAR LA GARANTIE

Jenn-Air décline toute responsabilité au titre de la qualité, de la durabilité ou en cas de dépannage ou de réparation nécessaire sur ce gros appareil ménager autre que les responsabilités énoncées dans la présente garantie. Si vous souhaitez une garantie plus étendue ou plus complète que la garantie limitée fournie avec ce gros appareil ménager, adressez-vous à Jenn-Air ou à votre détaillant pour obtenir les modalités d'achat d'une garantie étendue.

LIMITATION DES RECOURS; EXCLUSION DES DOMMAGES FORTUITS OU INDIRECTS

LE SEUL ET EXCLUSIF RECOURS DU CLIENT DANS LE CADRE DE LA PRÉSENTE GARANTIE LIMITÉE CONSISTE EN LA RÉPARATION PRÉVUE PAR LA PRÉSENTE. JENN-AIR N'ASSUME AUCUNE RESPONSABILITÉ POUR LES DOMMAGES FORTUITS OU INDIRECTS. Certains États et certaines provinces ne permettent pas l'exclusion ou la limitation des dommages fortuits ou indirects de sorte que ces limitations et exclusions peuvent ne pas être applicables dans votre cas. Cette garantie vous confère des droits juridiques spécifiques et vous pouvez également jouir d'autres droits qui peuvent varier d'une juridiction à l'autre.

