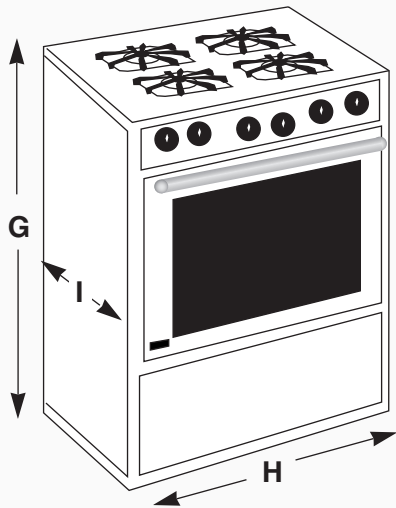
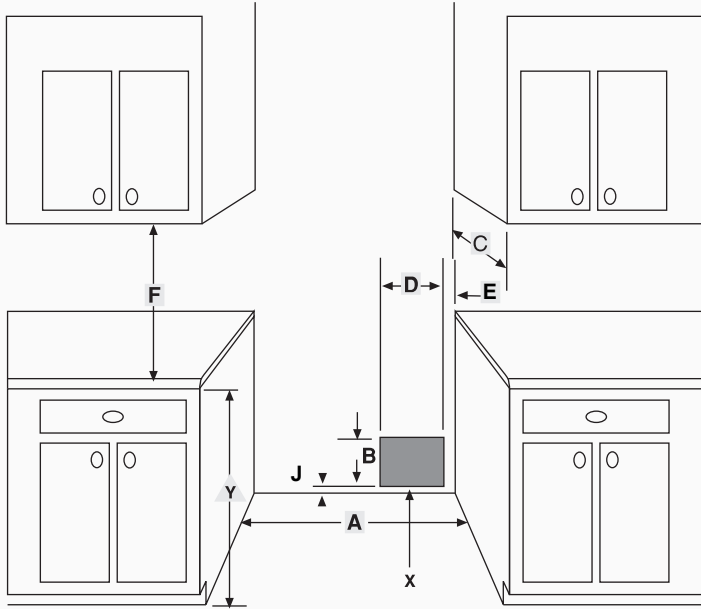


30"

PRO-STYLE™ GAS RANGE



PRG3010NP/LP

Dimensions

■	Inches	Centimeters
A	30 1/8 ± 1/16	76.5
B	4	10.2
C	13 maximum	33.0
D	16	40.6
E	2	5.1
F	18 minimum	45.7
G	35 3/4 - 37	90.8 - 94.0
H	29 7/8	75.9
I ¹	26 3/4	67.9
J	0	0

Notes:

1. Add approximately 1 7/8" for door handle. Dimension given is from wall to front of oven door.
- X. Electrical and gas supply.
 Y. 35 3/8" maximum for level counter. 36 3/4" maximum with range leveling legs fully extended.

Important: Because of continuing product improvements, Jenn-Air reserves the right to change specifications without notice. Dimensional specifications are provided for planning purposes only. For complete details see installation instructions that accompany each product before selecting cabinetry, making cutouts or beginning installation.