

JENN-AIR® 36" (91.4 CM) WALL-MOUNT CANOPY RANGE HOOD

HOTTE DE CUISINIÈRE JENN-AIR® POUR MONTAGE MURAL 36" (91,4 CM)

Installation Instructions and Use & Care Guide

For questions about features, operation/performance, parts, accessories, or service in the U.S.A., call:
1-800-JENNAIR (1-800-536-6247) or visit our website at **www.jennair.com**.
In Canada, call: **1-800-JENNAIR (1-800-536-6247)**, or visit our website at **www.jennair.ca**.

Instructions d'installation et Guide d'utilisation et d'entretien

Au Canada, pour assistance, installation ou service, composez le **1-800-JENNAIR (1-800-536-6247)** ou visitez notre site web à **www.jennair.ca**.

Table of Contents/Table des matières..... 2

**IMPORTANT: READ AND SAVE THESE INSTRUCTIONS.
FOR RESIDENTIAL USE ONLY.**

**IMPORTANT : LIRE ET CONSERVER CES INSTRUCTIONS.
POUR UTILISATION RÉSIDENIELLE UNIQUEMENT.**

JENN-AIR®

2843/W10640311B

TABLE OF CONTENTS

RANGE HOOD SAFETY	3
INSTALLATION REQUIREMENTS	5
Tools and Parts	5
Location Requirements	5
Venting Requirements	6
Electrical Requirements	7
INSTALLATION INSTRUCTIONS	9
Prepare Location	9
Install Range Hood	11
Connect Vent System	11
Reinstall Motor	12
Make Electrical Connection	12
Install Chimney Covers	13
Complete Installation	14
RANGE HOOD USE	14
Controls and Features	14
RANGE HOOD CARE	15
Cleaning	15
WIRING DIAGRAM	17
ASSISTANCE OR SERVICE	18
In the U.S.A.	18
Accessories	18
In Canada	18
WARRANTY	19

TABLE DES MATIÈRES

SÉCURITÉ DE LA HOTTE DE CUISINIÈRE	20
EXIGENCES D'INSTALLATION	22
Outils et pièces	22
Exigences d'emplacement	22
Exigences concernant l'évacuation	23
Spécifications électriques	25
INSTRUCTIONS D'INSTALLATION	27
Préparation de l'emplacement	27
Installation de la hotte	29
Raccordement du circuit d'évacuation	29
Remontage du moteur	30
Raccordement électrique	30
Installer les cache-conduits	31
Achever l'installation	32
UTILISATION DE LA HOTTE	32
Commandes et caractéristiques	32
ENTRETIEN DE LA HOTTE	34
Nettoyage	34
SCHÉMA DE CÂBLAGE	36
ASSISTANCE OU SERVICE	37
Au Canada	37
Accessoires	37
GARANTIE	38

RANGE HOOD SAFETY

Your safety and the safety of others are very important.

We have provided many important safety messages in this manual and on your appliance. Always read and obey all safety messages.



This is the safety alert symbol.

This symbol alerts you to potential hazards that can kill or hurt you and others.

All safety messages will follow the safety alert symbol and either the word "DANGER" or "WARNING."

These words mean:

! DANGER

You can be killed or seriously injured if you don't immediately follow instructions.

! WARNING

You can be killed or seriously injured if you don't follow instructions.

All safety messages will tell you what the potential hazard is, tell you how to reduce the chance of injury, and tell you what can happen if the instructions are not followed.

State of California Proposition 65 Warnings:

WARNING: This product contains one or more chemicals known to the State of California to cause cancer.

WARNING: This product contains one or more chemicals known to the State of California to cause birth defects or other reproductive harm.

IMPORTANT SAFETY INSTRUCTIONS

WARNING: TO REDUCE THE RISK OF FIRE, ELECTRIC SHOCK, OR INJURY TO PERSONS, OBSERVE THE FOLLOWING:

- Use this unit only in the manner intended by the manufacturer. If you have questions, contact the manufacturer.
- Before servicing or cleaning the unit, switch power off at service panel and lock the service disconnecting means to prevent power from being switched on accidentally. When the service disconnecting means cannot be locked, securely fasten a prominent warning device, such as a tag, to the service panel.
- Installation work and electrical wiring must be done by qualified person(s) in accordance with all applicable codes and standards, including fire-rated construction.
- Do not operate any fan with a damaged cord or plug. Discard fan or return to an authorized service facility for examination and/or repair.
- Sufficient air is needed for proper combustion and exhausting of gases through the flue (chimney) of fuel burning equipment to prevent backdrafting. Follow the heating equipment manufacturer's guideline and safety standards such as those published by the National Fire Protection Association (NFPA), the American Society for Heating, Refrigeration and Air Conditioning Engineers (ASHRAE), and the local code authorities.
- When cutting or drilling into wall or ceiling; do not damage electrical wiring and other utilities.
- Ducted fans must always be vented outdoors.

CAUTION: For general ventilating use only. Do not use to exhaust hazardous or explosive materials and vapors.

CAUTION: To reduce risk of fire and to properly exhaust air, be sure to duct air outside - do not vent exhaust air into spaces within walls or ceilings, attics or into crawl spaces, or garages.

WARNING: TO REDUCE THE RISK OF FIRE, USE ONLY METAL DUCTWORK.

WARNING: TO REDUCE THE RISK OF A RANGE TOP GREASE FIRE:

- Never leave surface units unattended at high settings. Boilovers cause smoking and greasy spillovers that may ignite. Heat oils slowly on low or medium settings.
- Always turn hood ON when cooking at high heat or when flambeing food (i.e. Crepes Suzette, Cherries Jubilee, Peppercorn Beef Flambé).
- Clean ventilating fans frequently. Grease should not be allowed to accumulate on fan or filter.
- Use proper pan size. Always use cookware appropriate for the size of the surface element.

WARNING: TO REDUCE THE RISK OF INJURY TO PERSONS IN THE EVENT OF A RANGE TOP GREASE FIRE, OBSERVE THE FOLLOWING:^a

- SMOTHER FLAMES with a close fitting lid, cookie sheet, or metal tray, then turn off the burner. BE CAREFUL TO PREVENT BURNS. If the flames do not go out immediately, EVACUATE AND CALL THE FIRE DEPARTMENT.
- NEVER PICK UP A FLAMING PAN - you may be burned.
- DO NOT USE WATER, including wet dishcloths or towels - a violent steam explosion will result.
- Use an extinguisher ONLY if:
 - You know you have a class ABC extinguisher, and you already know how to operate it.
 - The fire is small and contained in the area where it started.
 - The fire department is being called.
 - You can fight the fire with your back to an exit.

^aBased on "Kitchen Fire Safety Tips" published by NFPA.

- **WARNING:** To reduce the risk of fire or electrical shock, do not use this fan with any solid-state speed control device.

READ AND SAVE THESE INSTRUCTIONS

INSTALLATION REQUIREMENTS

Tools and Parts

Gather the required tools and parts before starting installation. Read and follow the instructions provided with any tools listed here.

Tools needed

- Level
- Drill with 1¼" (3.0 cm) and ⅜" (5.0 mm) drill bits
- Pencil
- Wire stripper or utility knife
- Tape measure or ruler
- Pliers
- Caulking gun and weatherproof caulking compound
- Vent clamps
- Jigsaw or keyhole saw
- Flat-blade screwdriver
- Metal snips
- Phillips screwdriver
- T20† Torx® bit or driver

Parts needed

For hard wire installations, you will also need:

- Home power supply cable
- ½" (12.7 mm) UL listed or CSA approved strain relief

For vented installations, you will also need:

- 1 wall or roof cap
- Metal vent system

For non-vented (recirculating) installations, you will also need:

- Recirculation Kit Part Number W10646866 for non-vented (recirculating) installations only. See "Assistance or Service" section to order.
- Charcoal Filter Kit Part Number W10272069. See "Assistance or Service" section to order.

Parts supplied

Remove parts from packages. Check that all parts are included.

- Hood canopy assembly with ventilator and lights installed
- Vent mounting boss (attached to hood canopy assembly)
- Damper
- 3 - 3.5 x 9.5 mm screws damper to mounting boss
- Metal grease filter installed in hood canopy
- Chimney cover support bracket
- 2-piece chimney cover
- 2 - 8 x 80 mm hanger bolts (T20® TORX® drive)
- 2 - 8 mm nuts
- 2 - flat washers
- 2 - 5 x 40 mm T20® Torx® drive screws for chimney bracket mounting.
- 2 - 5 mm wall anchors
- ½" (13 mm) special nut tightening tool
- 2 - Plastic spacers for lower chimney

†T20 and TORX are registered trademarks of Acument Intellectual Properties, LLC.

Location Requirements

IMPORTANT: Observe all governing codes and ordinances.

Have a qualified technician install the range hood. It is the installer's responsibility to comply with installation clearances specified on the model/serial rating plate. The model/serial rating plate is located behind the left filter on the rear wall of the vent hood.

Canopy hood location should be away from strong draft areas, such as windows, doors and strong heating vents.

Cabinet opening dimensions that are shown must be used. Given dimensions provide minimum clearance.

The canopy hood mounting location must be capable of supporting 100 lbs (45.4 kg).

This range hood is recommended for use with cooktops with a maximum total rating of 78,000 Btus or less.

Grounded electrical outlet is required. See "Electrical Requirements" section.

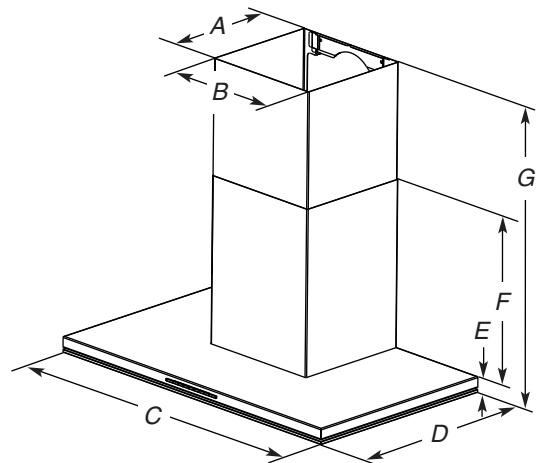
The canopy hood is factory set for venting through the roof or wall. For non-vented (recirculating) installation see "For non-vented (recirculating) installation only" in the "Connect Vent System" section. Recirculation Kit Part Number W10646866 and Charcoal Filter Kit Part Number W10272069 are available from your dealer or an authorized parts distributor.

All openings in ceiling and wall where canopy hood will be installed must be sealed.

For Mobile Home Installations

The installation of this range hood must conform to the Manufactured Home Construction Safety Standards, Title 24 CFR, Part 328 (formerly the Federal Standard for Mobile Home Construction and Safety, Title 24, HUD, Part 280) or when such standard is not applicable, the standard for Manufactured Home Installation 1982 (Manufactured Home Sites, Communities and Setups) ANSI A225.1/NFPA 501A, or latest edition, or with local codes.

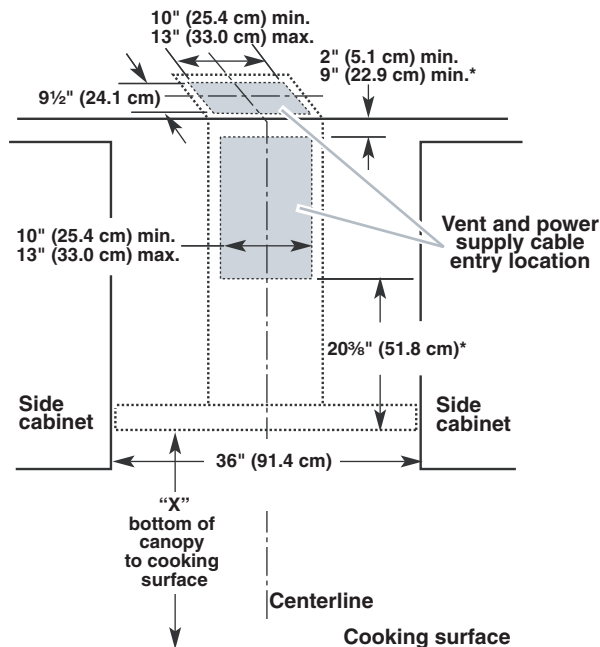
Product Dimensions



- A. 12 ⅝" (31.4 cm)
- B. 13 ⅛" (33.4 cm)
- C. 36" (91.4 cm)
- D. 19 ¼" (48.8 cm)

- E. 1 ⅝" (4.2 cm)
- F. 25 ⅞" (65.0 cm)
- G. 33 ⅜" (84.1 cm) min.
54 ¾" (139.1 cm) max.

Cabinet Dimensions



*For non-vented (recirculating) installations

IMPORTANT:

Minimum distance "X": 24" (61.0 cm) from electric cooking surface.

Minimum distance "X": 30" (76.2 cm) from gas cooking surface.

Suggested maximum distance "X": 36" (91.4 cm)

NOTE: For best performance of the Auto Sense feature, the range hood should be installed at 24" (61.0 cm) from an electric cooking surface and 30" (76.2 cm) from a gas cooking surface.

The chimneys can be adjusted for different ceiling heights. See the following chart.

Vented Installations		
	Min. ceiling height	Max. ceiling height
Electric cooking surface	7' 10" (2.39 m)	10' 4" (3.24 m)
Gas cooking surface	8' 4" (2.54 m)	10' 4" (3.24 m)
Non-vented (recirculating) Installations		
	Min. ceiling height	Max. ceiling height
Electric cooking surface	7' 10" (2.39 m)	10' 4" (3.24 m)
Gas cooking surface	8' 4" (2.54 m)	10' 4" (3.24 m)

***NOTE:** The range hood chimneys are adjustable and designed to meet varying ceiling or soffit heights depending on the distance "X" between the bottom of the range hood and the cooking surface. For higher ceilings from 10' 4" to 12' (3.24 m to 3.66 m), a Stainless Steel Chimney Extension Kit Part Number W10646864 is available from your dealer or an authorized parts distributor. The chimney extension replaces the upper chimney shipped with the range hood.

Venting Requirements

(vented models only)

- Vent system must terminate to the outdoors, except for non-vented (recirculating) installations.
- Do not terminate the vent system in an attic or other enclosed area.
- Do not use 4" (10.2 cm) laundry-type wall cap.
- Use metal vent only. Rigid metal vent is recommended. Plastic or metal foil vent is not recommended.
- The length of vent system and number of elbows should be kept to a minimum to provide efficient performance.

For the most efficient and quiet operation:

- Use no more than three 90° elbows.
- Make sure there is a minimum of 24" (61.0 cm) of straight vent between the elbows if more than 1 elbow is used.
- Do not install 2 elbows together.
- Use clamps to seal all joints in the vent system.
- The vent system must have a damper. If the roof or wall cap has a damper, do not use the damper supplied with the range hood.
- Use caulking to seal exterior wall or roof opening around the cap.
- The size of the vent should be uniform.

Cold Weather Installations

An additional back draft damper should be installed to minimize backward cold air flow and a thermal break should be installed to minimize conduction of outside temperatures as part of the vent system. The damper should be on the cold air side of the thermal break.

The break should be as close as possible to where the vent system enters the heated portion of the house.

Makeup Air

Local building codes may require the use of makeup air systems when using ventilation systems greater than specified CFM of air movement. The specified CFM varies from locale to locale. Consult your HVAC professional for specific requirements in your area.

Venting Methods

This canopy hood is factory set for venting through the roof or wall.

A 6" (15.2 cm) round vent system is needed for installation (not included). The hood exhaust opening is 6" (15.2 cm) round.

A 6" to 8" (15.2 cm to 20.3 cm) vent adapter is available for 8" (20.3 cm) vent systems. See the "Assistance or Service" section to order.

Vent system can terminate either through the roof or wall. To vent through a wall, a 90° elbow is needed.

Rear discharge

A 90° elbow may be installed immediately above the hood.

For Non-Vented (recirculating) Installations

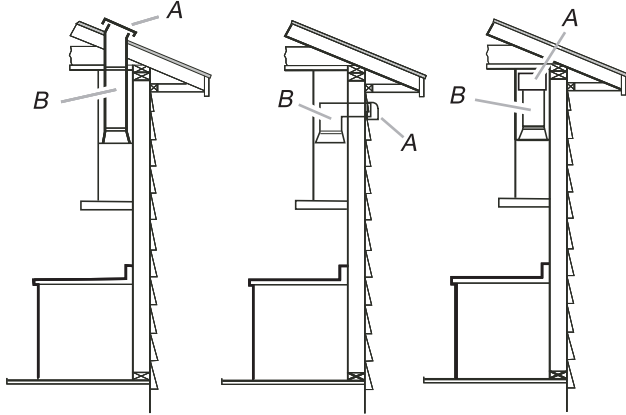
If it is not possible to vent cooking fumes and vapors to the outside, the hood can be used in the non-vented (recirculating) version, fitting a charcoal filter and the deflector. Fumes and vapors are recycled through the upper chimney cover louvers.

To order the charcoal filter and recirculation kit, see "Accessories" in the "Assistance and Service" section.

Roof Venting

Wall Venting

Non-vented (recirculating)





A. Roof cap
B. 6" (15.2 cm) round vent

A. Wall cap
B. 6" (15.2 cm) round vent

A. Deflector
B. 6" (15.2 cm) round vent

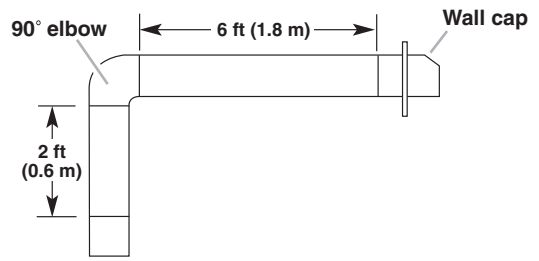
Calculating Vent System Length

To calculate the length of the system you need, add the equivalent feet (meters) for each vent piece used in the system.

Vent Piece	6" (15.2 cm) Round	
45° elbow	2.5 ft (0.8 m)	
90° elbow	5.0 ft (1.5 m)	

Maximum equivalent vent length is 35 ft (10.7 m).

Example vent system



The following example falls within the maximum recommended vent length of 35 ft (10.7 m).

1 - 90° elbow	= 5.0 ft (1.5 m)
1 - wall cap	= 0.0 ft (0.0 m)
8 ft (2.4 m) straight	= 8.0 ft (2.4 m)
Length of system	= 13.0 ft (3.9 m)

Electrical Requirements

Observe all governing codes and ordinances.

Ensure that the electrical installation is adequate and in conformance with National Electrical Code, ANSI/NFPA 70 (latest edition), or CSA Standards C22.1-94, Canadian Electrical Code, Part 1 and C22.2 No. 0-M91 (latest edition) and all local codes and ordinances.

If codes permit and a separate ground wire is used, it is recommended that a qualified electrician determine that the ground path is adequate.

A copy of the above code standards can be obtained from:

National Fire Protection Association
1 Batterymarch Park
Quincy, MA 02169-7471

CSA International
8501 East Pleasant Valley Road
Cleveland, OH 44131-5575

- A 120 volt, 60 Hz., AC only, 15-amp, fused electrical circuit is required.

For 3 Prong Grounded Power Cord:

⚠ WARNING



Electrical Shock Hazard

Plug into a grounded 3 prong outlet.

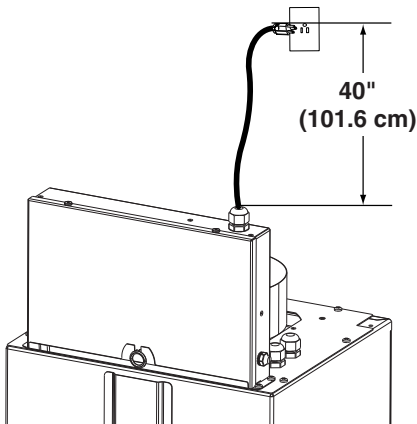
Do not remove ground prong.

Do not use an adapter.

Do not use an extension cord.

Failure to follow these instructions can result in death, fire, or electrical shock.

- This range hood is equipped with a power supply cord having a 3 prong grounding plug.
- To minimize possible shock hazard, the cord must be plugged into a mating, 3 prong, grounding-type outlet, grounded in accordance with local codes and ordinances. If a mating outlet is not available, it is the responsibility of the customer to have the properly grounded outlet installed by a qualified electrician.
- The grounded 3 prong outlet is to be located above the range hood at a maximum distance of 40" (101.6 cm) from where the power cord exits the hood. See illustration.



GROUNDING INSTRUCTIONS

- For a grounded, cord-connected range hood:
This range hood must be grounded. In the event of an electrical short circuit, grounding reduces the risk of electric shock by providing an escape wire for the electric current. This range hood is equipped with a cord having a grounding wire with a grounding plug. The plug must be plugged into an outlet that is properly installed and grounded.

WARNING: Improper grounding can result in a risk of electric shock.

Consult a qualified electrician if the grounding instructions are not completely understood, or if doubt exists as to whether the range hood is properly grounded.

Do not use an extension cord. If the power supply cord is too short, have a qualified electrician install an outlet near the range hood.

SAVE THESE INSTRUCTIONS

For Hard Wire from Home Power Supply:

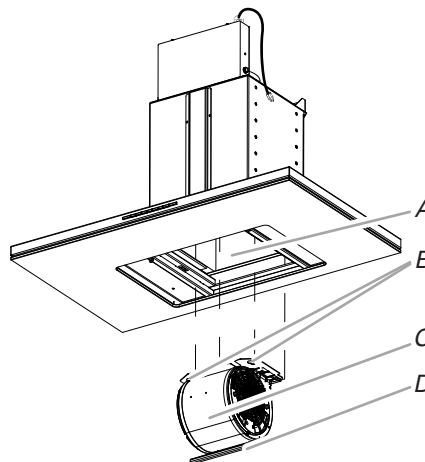
- If the house has aluminum wiring, follow the procedure below:
 1. Connect a section of solid copper wire to the pigtail leads.
 2. Connect the aluminum wiring to the added section of copper wire using special connectors and/or tools designed and UL listed for joining copper to aluminum.Follow the electrical connector manufacturer's recommended procedure. Aluminum/copper connection must conform with local codes and industry accepted wiring practices.
- Wire sizes and connections must conform with the rating of the appliance as specified on the model/serial rating plate. The model/serial plate is located behind the filter on the rear wall of the range hood.
- Wire sizes must conform to the requirements of the National Electrical Code, ANSI/NFPA 70 (latest edition), or CSA Standards C22. 1-94, Canadian Electrical Code, Part 1 and C22.2 No. 0-M91 (latest edition) and all local codes and ordinances.

INSTALLATION INSTRUCTIONS

Prepare Location

- It is recommended that the vent system be installed before hood is installed.
 - Before making cutouts, make sure there is proper clearance within the ceiling or wall for exhaust vent.
 - Check your ceiling height and the hood height maximum before you select your hood.
1. Disconnect power.
 2. Determine which venting method to use: roof, wall, or non-vented.
 3. Select a flat surface for assembling the range hood. Place covering over that surface.

5. Remove the motor from the range hood.



A. Blower housing
B. Keyhole slots (4)
C. Motor assembly
D. Motor plate

⚠ WARNING

Excessive Weight Hazard

Use two or more people to move and install range hood.

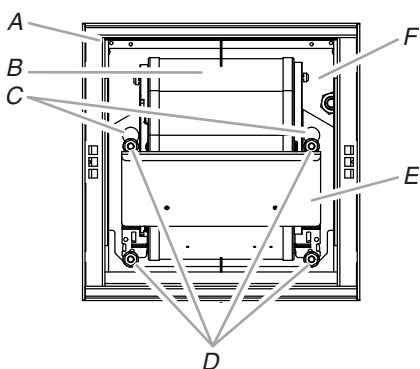
Failure to do so can result in back or other injury.

4. Using 2 or more people, lift range hood onto covered surface.
5. Remove the motor from the canopy assembly (see the “Motor Removal” section in this section).

Motor Removal

To remove motor:

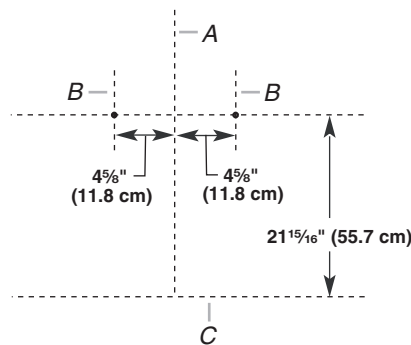
1. Remove the filter cover and metal grease filter (see the “Metal Grease Filters” section in the “Range Hood Care” section).
2. Disconnect the blower motor wiring at the 9 pin connector.
3. Locate the special $\frac{1}{2}$ " (13 mm) tool inside the range hood blower housing in the left front corner behind the insulation pad. Use it to loosen the 4 nuts located inside the blower housing that mounts the motor to the module top cover.
4. Grasp the motor plate and slide the motor toward the back of the module housing to the large openings in the keyhole slots.



A. Special $\frac{1}{2}$ " (13 mm) tool
B. Motor assembly
C. Keyhole slots (large opening) (4)
D. $\frac{1}{2}$ " (13 mm) motor mounting nuts (4)
E. Motor plate
F. Module top cover

Range Hood Mounting Screws Installation

1. Determine and mark the centerline on the wall where the canopy hood will be installed.
2. Select a mounting height between a minimum of 24" (61.0 cm) for an electric cooking surface, a minimum of 30" (76.2 cm) for a gas cooking surface, and a suggested maximum of 36" (91.4 cm) above the range to the bottom of the hood. Mark a horizontal reference line on the wall.
3. Measure up from the horizontal mounting height reference line $21\frac{15}{16}$ " (55.7 cm) and draw a parallel horizontal line. Measure from the centerline $4\frac{5}{8}$ " (11.8 cm) in each direction along the upper horizontal line. Mark the centers for the fastener locations.

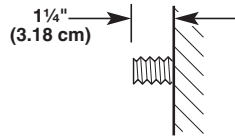


A. Centerline
B. Fastener locations
C. Mounting height reference (hood bottom line)

IMPORTANT: All screws must be installed into wall wooden support structure. If there is no wooden support structure to screw into, additional wall framing supports will be required. This mounting structure must be capable of supporting 100 lbs (45.4 kg).

4. Drill $\frac{3}{16}$ " (4.8 mm) pilot holes at all locations where screws are being installed into wood.

- Using a T20® Torx® bit and driver, install the 2 - 8 x 80 mm hanger bolts. Leave a 1¼" (31.8 mm) gap between the wall and the end of the hanger bolt for sliding the range hood into place.

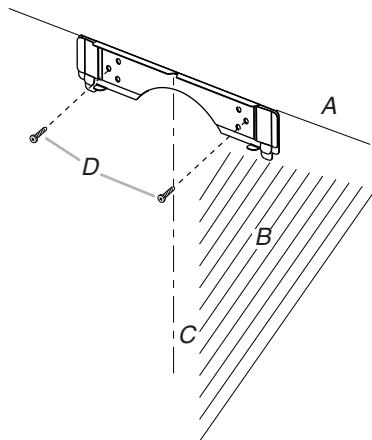


Vent Cover Bracket Installation

- Use chimney cover mounting bracket centered on the center line of the wall and flush to the ceiling to mark the center points of the outermost holes for mounting screws. Mark and drill 2 - 3/16" (4.8 mm) holes.
- Install the 5 mm wall anchors.

For Vented Installations Only:

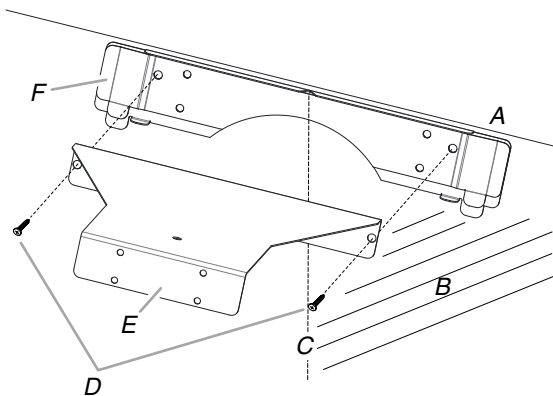
- Attach the chimney cover bracket to the wall using 2 - 5 x 40 mm screws (D).



A. Ceiling
B. Wall
C. Centerline
D. 5 x 40 mm screws (2)

For Non-Vented (recirculating) Installations Only:

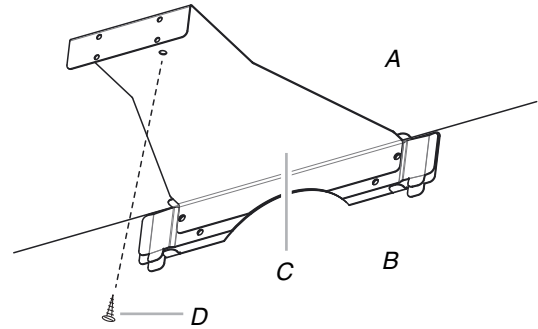
- Attach the chimney cover bracket and air deflector bracket to the wall using the (2) 5 x 40 mm screws (D).



A. Ceiling
B. Wall
C. Centerline for range hood
D. 5 x 40 mm screws (2)
E. Air deflector bracket
F. Chimney cover bracket

- Install the 5 x 40 mm screw through the top of the air deflector bracket into the ceiling.

NOTE: To use the optional 5 mm wall anchor supplied with the recirculation kit in the ceiling, locate and mark the hole through the top of the air deflector bracket. Remove the bracket and drill a 3/16" (4.8 mm) hole and install the 5 mm wall anchor.



A. Ceiling
B. Wall
C. Air deflector bracket
D. 5 x 40 mm screw

Complete Preparation

- Determine and make all necessary cuts in the wall for the vent system. Install the vent system before installing the hood. See "Venting Requirements" section.

For Vented Installations Only:

- Using a jigsaw or keyhole saw, cut a 6½" (16.5 cm) diameter hole in the wall or ceiling for the vent duct.
- Install the vent duct system through the hole.
Seal all connections with vent clamps.

For use with Grounded Power Supply Cord:

- This range hood is equipped with a power supply cord having a 3 prong grounding plug.
- A 3 prong receptacle is required to be located at a maximum distance of 40" (101.6 cm) above the range hood terminal box. If a mating outlet is not available, it is the responsibility of the customer to have a properly grounded outlet installed by a qualified electrician.

For use with a Hard Wire Home Power Supply Cable:

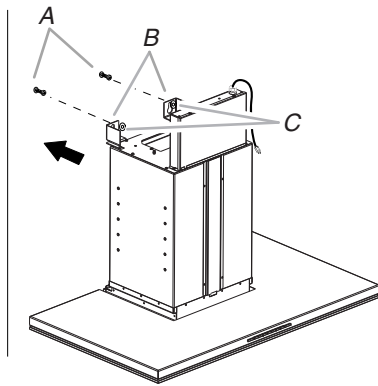
- Determine the required height for the home power supply cable and drill a 1¼" (3.2 cm) hole at this location.
- Run the home power supply cable according to the National Electrical Code or CSA Standards and local codes and ordinances. There must be enough ½" conduit and wires from the fused disconnect (or circuit breaker) box to make the connection in the hood's electrical terminal box.

NOTE: Do not reconnect power until installation is complete.

- Use caulk to seal all openings.

Install Range Hood

- Using 2 or more people, hang range hood on the 2 mounting screws through the mounting slots on the back of the hood.



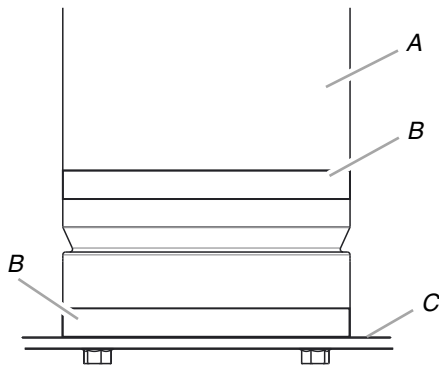
A. Mounting hanger bolts
B. Mounting slots
C. Flat washers and nuts

- Install the flat washers and nuts to the hanger bolts. Level the range hood and tighten the nuts.

Connect Vent System

For Vented Installations:

- Assemble the damper (if needed) to the mounting boss using (3) 3.5 x 9.5 mm screws.
- Assemble the vent system to the damper (if used) or the mounting boss.
- Secure all of the connections with vent clamps.

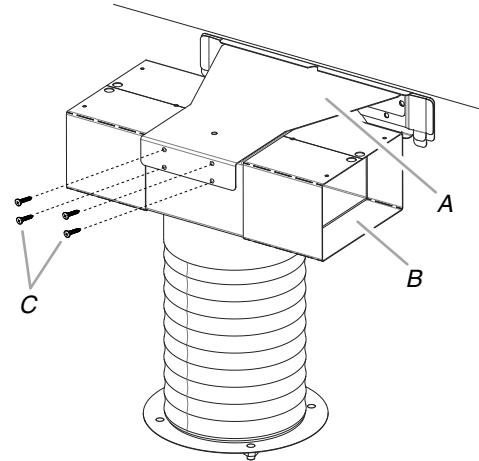


A. Metal duct
B. Vent clamps
C. Mounting boss

- Check that the back draft damper (if used) works properly.

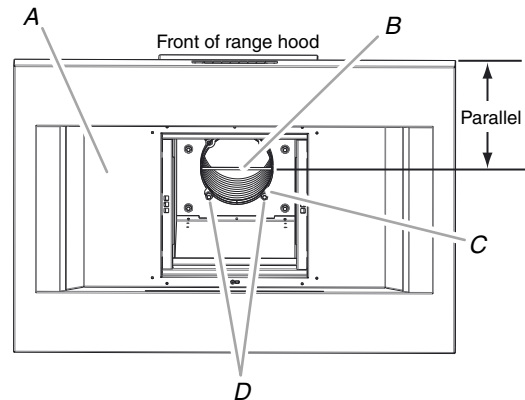
For Non-Vented (recirculating) Installations:

- Mount the air deflector and flexible duct assembly to the air deflector bracket using (4) 3.5 x 9.5 mm screws supplied with the Recirculation Kit.



A. Air deflector bracket
B. Air deflector/flexible duct assembly
C. 3.5 x 9.5 mm screws (4)

- Loosen the 4 nuts on the mounting boss. The back flange of each nut should be approximately $\frac{3}{16}$ " (5 mm) from the face of the mounting boss.
- Expand the flexible section of vent duct to the top of the range hood top plate.
- Check the mounting boss handle for alignment. The mounting boss handle must align parallel with the front of the range. If alignment is needed, loosen one of the vent clamps and adjust as necessary. Retighten any vent clamps that are loosened.
- Secure all of the connections with vent clamps.
- Reach inside the range hood cavity and grasp the handle of the mounting boss. Pull down to align the nuts through the cutout holes in the module top cover. Push back into the half-slots to assemble. Tighten the 4 nuts using the $\frac{1}{2}$ " (13 mm) special tool or $\frac{1}{2}$ " (13 mm) socket and driver with extension.



A. Inside of range hood cavity
B. Mounting boss handle
C. Half slots in module top cover (4)
D. Nuts (4)

NOTE: For ceiling heights above 9 ft (1.8 m), an appropriate length of 6" (15.2 cm) ducting (not supplied) will be required.

Reinstall Motor

1. Place the motor into the module housing positioning it with the large keyholes in motor mounting plate towards the back of the canopy.
2. Grasping the motor plate, push the motor up into the module housing. Locate the large keyholes over the motor mounting nuts, push up against the module top cover and pull the motor forward to lock into the small keyholes slots.
3. Use the special ½" (13 mm) tool and tighten the (4) nuts to secure the motor.

Make Electrical Connection

For 3 Prong Grounded Power Cord:

⚠ WARNING



Electrical Shock Hazard

Plug into a grounded 3 prong outlet.

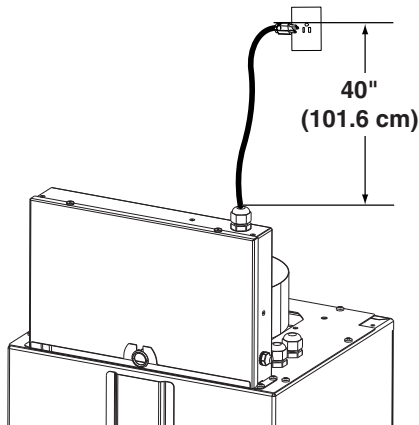
Do not remove ground prong.

Do not use an adapter.

Do not use an extension cord.

Failure to follow these instructions can result in death, fire, or electrical shock.

1. Plug 3 prong power cord into a grounded 3 prong outlet located above the range hood.



For Hard Wire from Home Power Supply:

⚠ WARNING



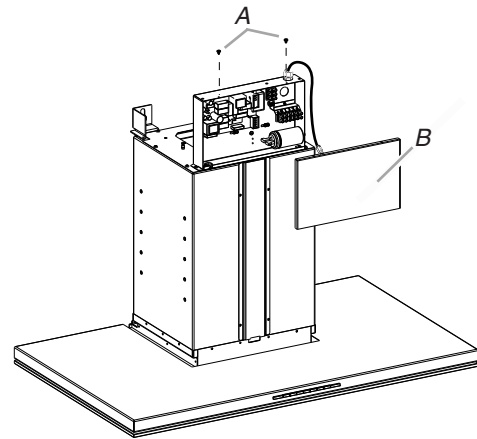
Electrical Shock Hazard

Disconnect power before servicing.

Replace all parts and panels before operating.

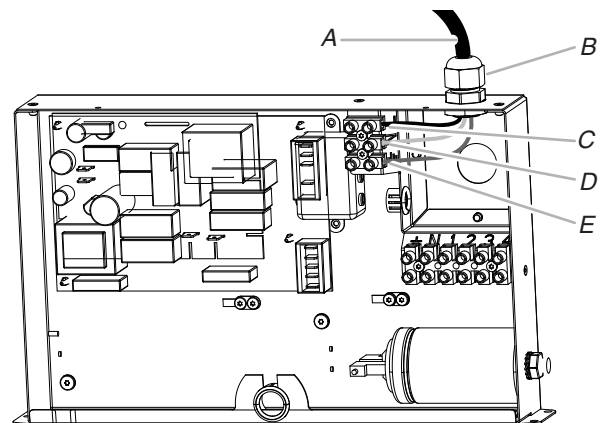
Failure to do so can result in death or electrical shock.

1. Disconnect power.
2. Remove the terminal box cover.



A. Screws
B. Terminal box cover

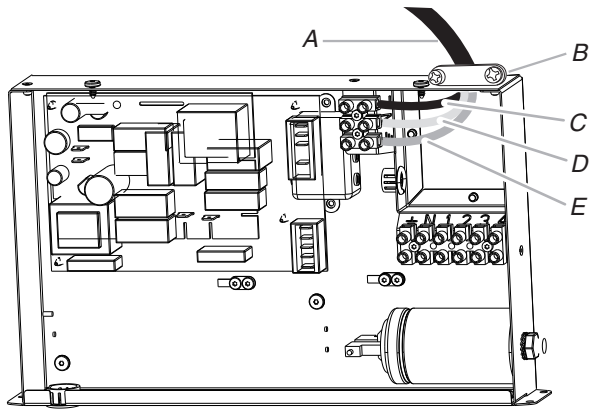
3. Disconnect grounded power cord wires from terminal block. Loosen the screws labeled "L," "N," and "Ground Symbol."
4. Remove power cord strain relief from terminal box and remove power cord.



A. Power cord
B. Power cord strain relief
C. Location "L" (black wire)
D. Location "N" (white wire)
E. Location ground symbol (green or bare ground wire)

5. Install a UL listed or CSA approved ½" strain relief.

- Run the home power supply cable through the strain relief, into the terminal box.



- A. Home power supply cable
- B. UL listed or CSA approved strain relief
- C. Location "L" (black wire)
- D. Location "N" (white wire)
- E. Location ground symbol (green or bare ground wire)

- Loosen the screw labeled "L" on the terminal block and connect black wire C. Retighten the screw.
- Loosen the screw labeled "N" on the terminal block and connect white wire D. Retighten the screw.

⚠ WARNING

Electrical Shock Hazard

Electrically ground blower.

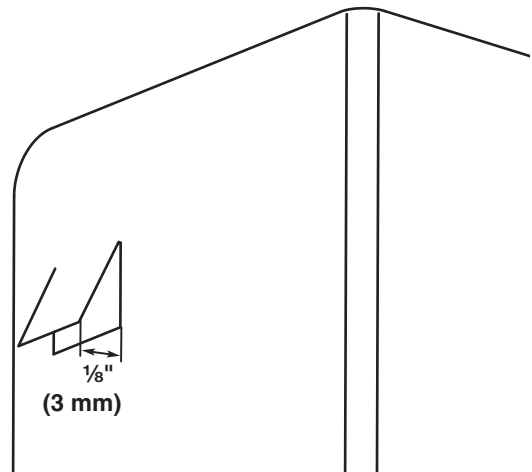
Connect ground wire to green and yellow ground wire in terminal box.

Failure to do so can result in death or electrical shock.

- Loosen the screw labeled with the "Ground Symbol" on the terminal block and connect green (or bare) ground wire E. Tighten the screw.
- Tighten the strain relief screws.
- Reinstall the terminal box cover.
- Reconnect power.

Install Chimney Covers

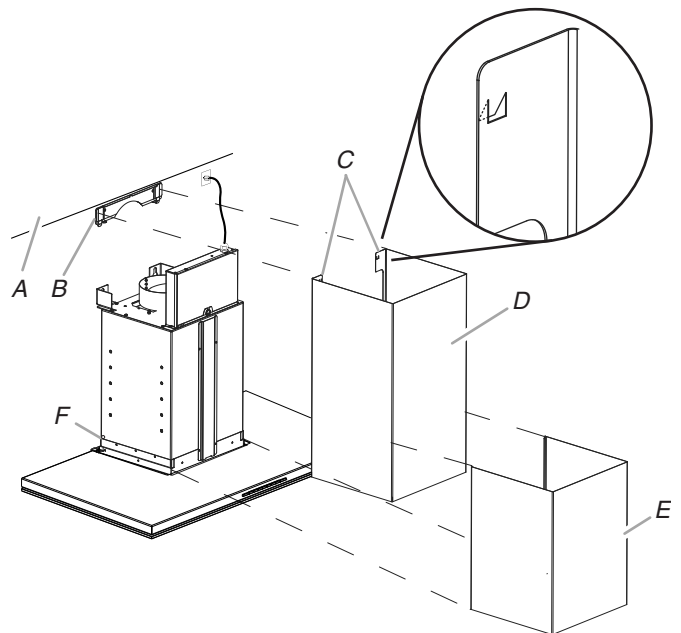
- On the upper chimney cover, bend out tabs (2) approximately $\frac{1}{8}$ " (3 mm).



- Slide rear flanges of upper chimney cover between catch tabs on chimney cover mounting bracket and lock bent-out tabs into slots in the back plate of the chimney cover mounting bracket.

NOTE: Once the upper chimney cover tabs are locked into the chimney cover mounting bracket, the upper chimney cover will be hard to remove. If removal is required, place a thin blade behind the top corner of the upper chimney cover and the chimney cover mounting bracket to push in the catch tabs on both sides, and pull the rear side flange out of the chimney cover mounting bracket.

- Attach the (2) plastic spacers (F), one on each side at the bottom of the blower module.
- Widen the lower chimney cover and slide it over the upper chimney cover and blower module. The lower chimney cover must rest on the top of the hood.



- A. Ceiling
- B. Chimney cover mounting bracket
- C. Upper chimney cover - rear flanges
- D. Upper chimney cover
- E. Lower chimney cover
- F. Plastic spacers (2)

Complete Installation

1. For non-vented (recirculating) installations only, install the charcoal filters over the metal mesh filter. See the "Range Hood Care" section.
2. Install the metal filter. See the "Range Hood Care" section.

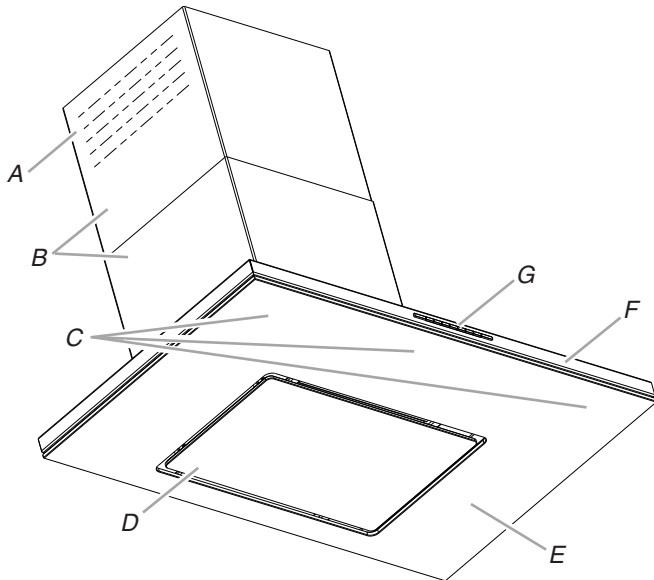
3. Check the operation of the range hood blower and lights. See the "Range Hood Use" section.

NOTE: To get the most efficient use from your new range hood, read the "Range Hood Use" section.

RANGE HOOD USE

The range hood is designed to remove smoke, cooking vapors and odors from the cooktop area. For best results, start the hood before cooking and allow it to operate several minutes after the cooking is complete to clear all smoke and odors from the kitchen.

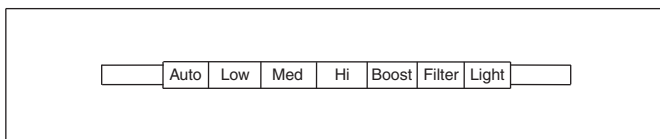
The range hood controls are located on the front of the canopy.



A. Louver holes (non-vented [recirculating] installations only)
 B. Chimney covers
 C. Lamps

D. Filter door glass
 E. Canopy glass
 F. Canopy
 G. Control panel

Control Panel



Controls and Features

NOTES:

- To activate the controls, press and release the desired button.
- The control feature button will be lit when a control feature is turned On.

Sleep Mode

The range hood automatically enters Sleep Mode when not in use. After 10 minutes of no range hood activity, all of the control button lights will turn Off. To deactivate Sleep Mode, press any button.

Auto Sense

Auto Sense allows the range hood fan to turn on automatically when it senses heat higher than its allowable temperature limit. When Auto Sense is On, the fan speed will increase or decrease based on the temperature Auto Sense is measuring.

Auto Sense can be manually increased by pressing a higher fan speed. The fan will run at the selected speed for 10 minutes before returning to the speed selected for Auto Sense.

If Auto Sense is On, the Auto button light will turn Off and go into Sleep Mode when the vent hood is not in use. If the vent hood is turned On by the consumer or by Auto Sense, the Auto button light will turn On.

To set Auto Sense:

Press AUTO.

To Select Auto Sense Cooktop Type:

NOTE: The range hood is factory-set for the gas cooktop mode.

Press and hold AUTO for 5 seconds to switch between the gas cooktop and electric cooktop modes.

The Auto button light will flash 5 times when the range hood is changed to the electric cooktop mode. Auto Sense is now set to work with electric cooktops and ranges.

The Auto button light will flash 3 times when the range hood is changed to the gas cooktop mode. Auto Sense is now set to work with gas cooktops and ranges.

Changing the cooktop type will change the temperature limit for Auto Sense to turn On. When the range hood senses a high enough temperature, the fan will start automatically. When the temperature drops below the set temperature limit, the fan will stop automatically. The Auto button light will turn Off after the range hood enters Sleep Mode, but Auto Sense is still active.

To Deactivate Auto Sense:

If the Auto button is lit, press AUTO once to deactivate Auto Sense. The Auto button light will turn Off.

If Auto Sense is in Sleep Mode, press AUTO once to deactivate Sleep Mode and turn the Auto button light On. Press AUTO again to deactivate Auto Sense and turn Off the Auto button light.

Auto Sense will automatically turn off after 2 hours of no activation of the Auto Sense system. To reset Auto Sense press AUTO.

Manual Vent Functions

Fan Speeds

Low Press LOW to turn the fan on at Low speed.

Med Press MED to turn the fan on at Medium speed.

Hi Press HI to turn the fan on at High speed.

Boost Press BOOST to turn the fan on at the highest speed. Boost will automatically turn Off after 10 minutes and the fan will switch to High speed.

Timer

The range hood can be set to automatically turn off after 15 minutes.

1. Press and hold the desired fan speed button for 2 seconds.
The fan will run on the chosen speed for 15 minutes and the fan speed button light will flash continuously.

After 15 minutes, the fan will turn Off automatically.

2. Press the desired fan speed button again while the fan timer is running to cancel the fan timer.

NOTE: Changing the fan speed or turning Auto Sense On will also cancel the 15-minute timer.

Filter

The Filter button lights up when it is time to replace or clean the filter. The button will be lit only when the fan is On. Press FILTER after replacing the filter to turn the Filter button light Off. See the "Cleaning" section for how to replace or clean the filter.

Light

Press LIGHT to turn the range hood lights On and Off.

RANGE HOOD CARE

Cleaning

IMPORTANT: Clean the hood and grease filters frequently according to the following instructions. Replace grease filters before operating hood.

Exterior Surfaces:

To avoid damage to the exterior surface, do not use steel wool or soap-filled scouring pads.

Always wipe dry to avoid water marks.

Cleaning Method:

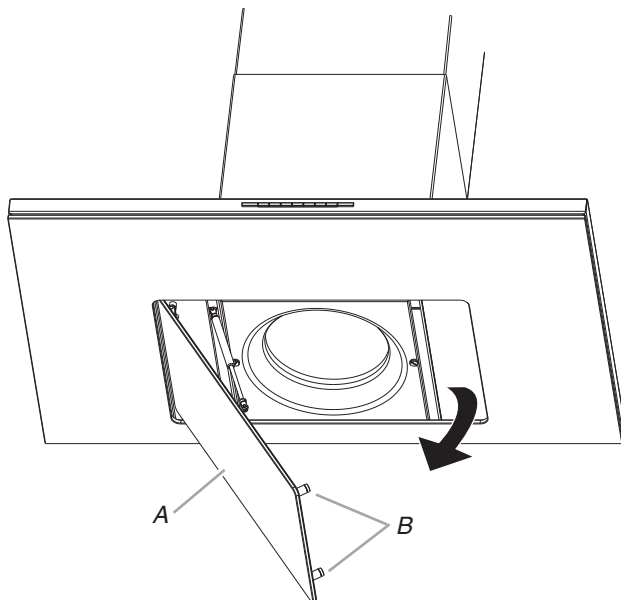
- Liquid detergent soap and water, or all-purpose cleanser
- Wipe with damp soft cloth or nonabrasive sponge, then rinse with clean water and wipe dry.

Metal Grease Filters

The filter should be washed frequently. Place the metal filter in the dishwasher or hot detergent solution to clean.

Let the filter dry thoroughly before replacing it.

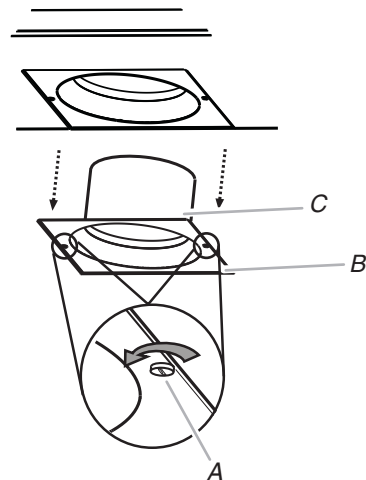
NOTE: The metal grease filter is located behind the center glass panel. The panel is hinged on the left side and magnetically secured on the right side. To access the grease filter, grasp the panel on the right-hand corners and pull down. This releases the panel from the magnets and allows the panel to swing down.



A. Center glass panel
B. Magnets

To Remove Metal Grease Filters

1. Turn off fan and lights.
2. Remove the filter holder frame and grease filter using a flat-blade screwdriver to turn the grease filter release screws 90° counterclockwise.



A. Grease filter release screw
B. Filter holder frame
C. Grease filter

To Replace Metal Grease Filter

Replace grease filter and filter holder frame into range hood. Align the grease filter release screw and use a flat-blade screwdriver to turn the grease filter release screws 90° clockwise to lock in place.

Charcoal Filters - For Non-Vented (recirculating) Installations

NOTE: After approximately 3 years of use the charcoal filter should be replaced. To order a replacement Charcoal Filter Kit, see the "Assistance or Service" section.

The charcoal filters can be cleaned and reactivated. Clean the filter in the dishwasher using normal detergent and choosing the highest temperature setting.

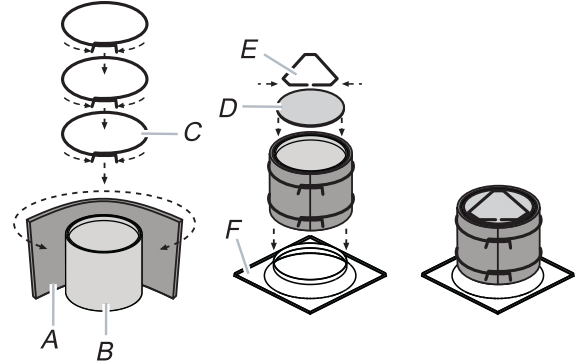
To reactivate the filter, the filter should be dried in an oven for 10 minutes with a maximum temperature of 210°F (100°C).

To Remove Charcoal Filters

1. Turn fan and lights off.
2. Remove the metal grease filters. See "Metal Grease Filters" section.
3. Remove the upper and side lock springs.
4. Clean or discard the charcoal filter.

To Replace Charcoal Filters

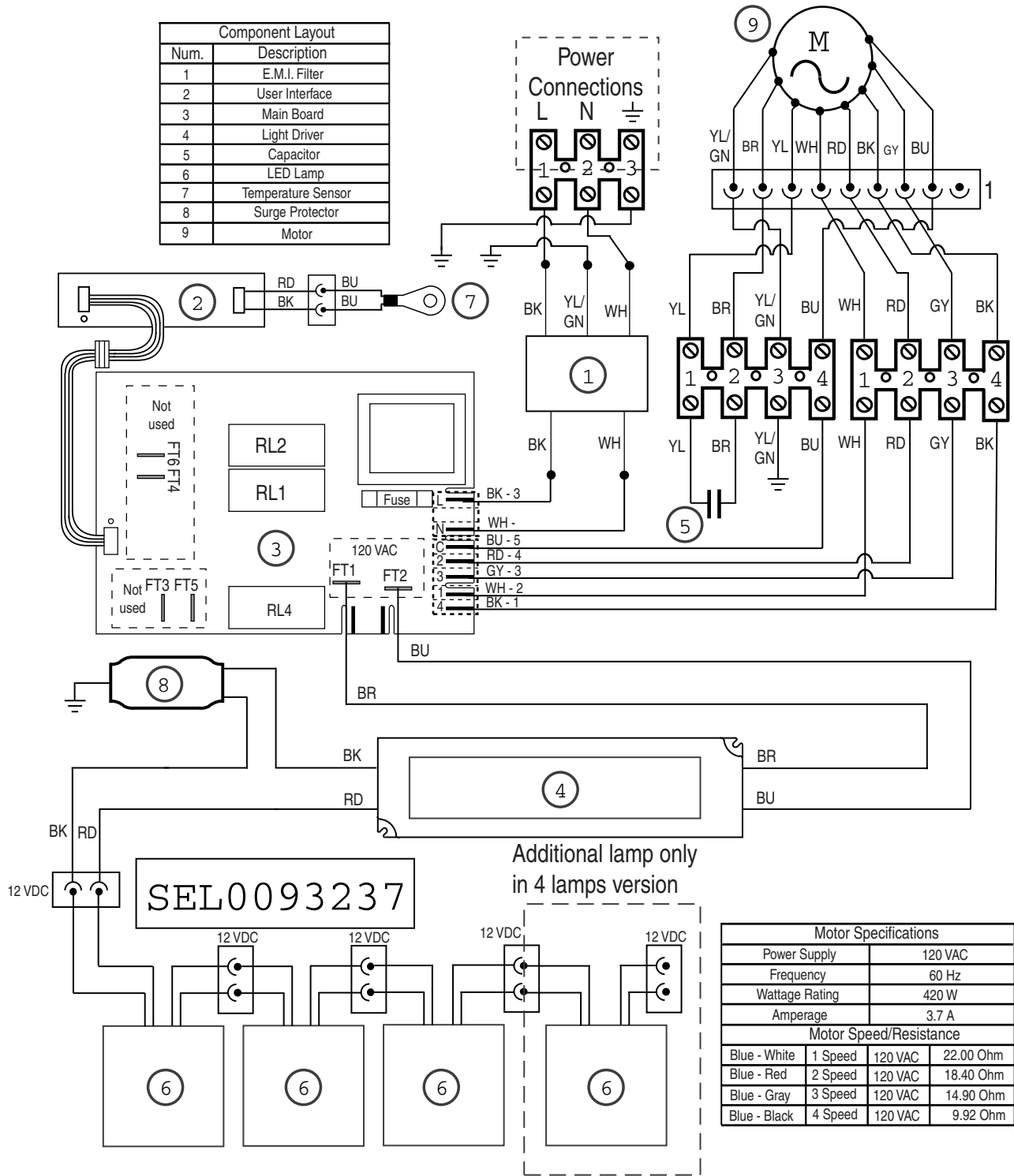
1. For non-vented (recirculating installations) install charcoal filter, wrapping it around the grease filter.
2. Place the charcoal filter mat around the grease filter and fix it in place by using the cap lock springs provided.
3. Position the upper cap and fix it in place using the cap lock spring provided.



- A. Charcoal filter mat
- B. Grease filter
- C. Charcoal filter side lock springs
- D. Upper cap
- E. Cap lock spring
- F. Grease filter support

WIRING DIAGRAM

Component Layout	
Num.	Description
1	E.M.I. Filter
2	User Interface
3	Main Board
4	Light Driver
5	Capacitor
6	LED Lamp
7	Temperature Sensor
8	Surge Protector
9	Motor



Motor Specifications			
Power Supply		120 VAC	
Frequency		60 Hz	
Wattage Rating		420 W	
Amperage		3.7 A	
Motor Speed/Resistance			
Blue - White	1 Speed	120 VAC	22.00 Ohm
Blue - Red	2 Speed	120 VAC	18.40 Ohm
Blue - Gray	3 Speed	120 VAC	14.90 Ohm
Blue - Black	4 Speed	120 VAC	9.92 Ohm

ASSISTANCE OR SERVICE

If you need service

Please refer to the warranty page in this manual.

If you need replacement parts

If you need to order replacement parts, we recommend that you use only factory specified parts. Factory specified parts will fit right and work right because they are made with the same precision used to build every new appliance.

To locate factory specified replacement parts in your area, call the following customer assistance telephone number or your nearest designated service center.

In the U.S.A.

Call Jenn-Air Customer eXperience Center toll free: **1-800-JENNAIR (1-800-536-6247)** or visit our website at **www.jennair.com**

Our consultants provide assistance with:

- Scheduling of service. Jenn-Air® appliances designated service technicians are trained to fulfill the product warranty and provide after-warranty service, anywhere in the United States.
- Features and specifications on our full line of appliances.
- Referrals to local Jenn-Air® appliance dealers.
- Installation information.
- Use and maintenance procedures.
- Accessory and repair parts sales.
- Specialized customer assistance (Spanish speaking, hearing impaired, limited vision, etc.).

For further assistance

If you need further assistance, you can write to Jenn-Air® Appliances with any questions or concerns at:

Jenn-Air Brand Home Appliances
Customer eXperience Center
553 Benson Road
Benton Harbor, MI 49022-2692

Please include a daytime phone number in your correspondence.

Accessories

Charcoal Filter Kit

(for non-vented installations only)
Order Part Number W10272069

Recirculation Kit

(for non-vented installations only)
Order Part Number W10646866

Chimney Extension Kit

Order Part Number W10646864

Chimney Kit Recirculation

(for non-vented installations)
Order Part Number W10685949

Chimney Extension Kit - (recirculating)

(for non-vented installations)
Order Part Number W10686362

Vent Duct Adapter 6" to 8" (15.2 cm to 20.3 cm)

(for 8" [20.3 cm] duct installations)
Order Part Number W10685950

In Canada

Call the Jenn-Air Canada LP Customer eXperience Centre toll free at **1-800-JENNAIR (1-800-536-6247)** or visit our website at **www.jennair.ca**

Our consultants provide assistance with:

- Scheduling of service. Jenn-Air® appliances designated service technicians are trained to fulfill the product warranty and provide after-warranty service, anywhere in the Canada.
- Features and specifications on our full line of appliances.
- Referrals to local Jenn-Air® appliance dealers.
- Installation information.
- Use and maintenance procedures.
- Accessory and repair parts sales.

For further assistance

If you need further assistance, you can write to Jenn-Air® Appliances with any questions or concerns at:

Jenn-Air Brand Home Appliances
Customer eXperience Centre
200 - 6750 Century Ave
Mississauga, Ontario L5N 0B7

Please include a daytime phone number in your correspondence.

JENN-AIR® MAJOR APPLIANCE LIMITED WARRANTY

ATTACH YOUR RECEIPT HERE. PROOF OF PURCHASE IS REQUIRED TO OBTAIN WARRANTY SERVICE.

Please have the following information available when you call the Customer eXperience Center:

- Name, address and telephone number
- Model number and serial number
- A clear, detailed description of the problem
- Proof of purchase including dealer or retailer name and address

IF YOU NEED SERVICE:

1. Before contacting us to arrange service, please determine whether your product requires repair. Some questions can be addressed without service. Please take a few minutes to review the Troubleshooting or Problem Solver section of the Use and Care Guide, scan the QR code on the right to access additional resources, or visit <https://jennair.custhelp.com>.
2. All warranty service is provided exclusively by our authorized Jenn-Air Service Providers. In the U.S. and Canada, direct all requests for warranty service to:

Jenn-Air Customer eXperience Center
1-800-JENNAIR (1-800-536-6247)



<https://jennair.custhelp.com>

If outside the 50 United States or Canada, contact your authorized Jenn-Air dealer to determine whether another warranty applies.

ONE YEAR LIMITED WARRANTY

WHAT IS COVERED

For one year from the date of purchase, when this major appliance is installed, operated and maintained according to instructions attached to or furnished with the product, Jenn-Air brand of Whirlpool Corporation or Whirlpool Canada LP (hereafter "Jenn-Air") will pay for Factory Specified Replacement Parts and repair labor to correct defects in materials or workmanship that existed when this major appliance was purchased, or at its sole discretion replace the product. In the event of product replacement, your appliance will be warranted for the remaining term of the original unit's warranty period.

YOUR SOLE AND EXCLUSIVE REMEDY UNDER THIS LIMITED WARRANTY SHALL BE PRODUCT REPAIR AS PROVIDED HEREIN. Service must be provided by a Jenn-Air designated service company. This limited warranty is valid only in the United States or Canada and applies only when the major appliance is used in the country in which it was purchased. This limited warranty is effective from the date of original consumer purchase. Proof of original purchase date is required to obtain service under this limited warranty.

WHAT IS NOT COVERED

1. Commercial, non-residential, multiple-family use, or use inconsistent with published user, operator or installation instructions.
2. In-home instruction on how to use your product.
3. Service to correct improper product maintenance or installation, installation not in accordance with electrical or plumbing codes or correction of household electrical or plumbing (i.e. house wiring, fuses or water inlet hoses).
4. Consumable parts (i.e. light bulbs, batteries, air or water filters, preservation solutions, etc.).
5. Conversion of products from natural gas or L.P. gas.
6. Damage from accident, misuse, abuse, fire, floods, acts of God or use with products not approved by Jenn-Air.
7. Repairs to parts or systems to correct product damage or defects caused by unauthorized service, alteration or modification of the appliance.
8. Cosmetic damage including scratches, dents, chips, and other damage to the appliance finishes unless such damage results from defects in materials and workmanship and is reported to Jenn-Air within 30 days.
9. Discoloration, rust or oxidation of surfaces resulting from caustic or corrosive environments including but not limited to high salt concentrations, high moisture or humidity or exposure to chemicals.
10. Food or medicine loss due to product failure.
11. Pick-up or delivery. This product is intended for in-home repair.
12. Travel or transportation expenses for service in remote locations where an authorized Jenn-Air servicer is not available.
13. Removal or reinstallation of inaccessible appliances or built-in fixtures (i.e. trim, decorative panels, flooring, cabinetry, islands, countertops, drywall, etc.) that interfere with servicing, removal or replacement of the product.
14. Service or parts for appliances with original model/serial numbers removed, altered or not easily determined.

The cost of repair or replacement under these excluded circumstances shall be borne by the customer.

DISCLAIMER OF IMPLIED WARRANTIES

IMPLIED WARRANTIES, INCLUDING ANY IMPLIED WARRANTY OF MERCHANTABILITY OR IMPLIED WARRANTY OF FITNESS FOR A PARTICULAR PURPOSE, ARE LIMITED TO ONE YEAR OR THE SHORTEST PERIOD ALLOWED BY LAW. Some states and provinces do not allow limitations on the duration of implied warranties of merchantability or fitness, so this limitation may not apply to you. This warranty gives you specific legal rights, and you also may have other rights that vary from state to state or province to province.

DISCLAIMER OF REPRESENTATIONS OUTSIDE OF WARRANTY

Jenn-Air makes no representations about the quality, durability, or need for service or repair of this major appliance other than the representations contained in this warranty. If you want a longer or more comprehensive warranty than the limited warranty that comes with this major appliance, you should ask Jenn-Air or your retailer about buying an extended warranty.

LIMITATION OF REMEDIES; EXCLUSION OF INCIDENTAL AND CONSEQUENTIAL DAMAGES

YOUR SOLE AND EXCLUSIVE REMEDY UNDER THIS LIMITED WARRANTY SHALL BE PRODUCT REPAIR AS PROVIDED HEREIN. JENN-AIR SHALL NOT BE LIABLE FOR INCIDENTAL OR CONSEQUENTIAL DAMAGES. Some states and provinces do not allow the exclusion or limitation of incidental or consequential damages, so these limitations and exclusions may not apply to you. This warranty gives you specific legal rights, and you also may have other rights that vary from state to state or province to province.

SÉCURITÉ DE LA HOTTE DE CUISINIÈRE

Votre sécurité et celle des autres est très importante.

Nous donnons de nombreux messages de sécurité importants dans ce manuel et sur votre appareil ménager. Assurez-vous de toujours lire tous les messages de sécurité et de vous y conformer.



Voici le symbole d'alerte de sécurité.

Ce symbole d'alerte de sécurité vous signale les dangers potentiels de décès et de blessures graves à vous et à d'autres.

Tous les messages de sécurité suivront le symbole d'alerte de sécurité et le mot "DANGER" ou "AVERTISSEMENT". Ces mots signifient :

⚠ DANGER

Risque possible de décès ou de blessure grave si vous ne suivez pas immédiatement les instructions.

⚠ AVERTISSEMENT

Risque possible de décès ou de blessure grave si vous ne suivez pas les instructions.

Tous les messages de sécurité vous diront quel est le danger potentiel et vous disent comment réduire le risque de blessure et ce qui peut se produire en cas de non-respect des instructions.

Avertissements de la proposition 65 de l'État de Californie :

AVERTISSEMENT : Ce produit contient au moins un produit chimique connu par l'État de Californie pour être à l'origine de cancers.

AVERTISSEMENT : Ce produit contient au moins un produit chimique connu par l'État de Californie pour être à l'origine de malformations et autres déficiences de naissance.

IMPORTANTES INSTRUCTIONS DE SÉCURITÉ

AVERTISSEMENT : POUR RÉDUIRE LE RISQUE D'INCENDIE, CHOC ÉLECTRIQUE OU DOMMAGES CORPORELS, RESPECTER LES INSTRUCTIONS SUIVANTES :

- Utiliser cet appareil uniquement dans les applications envisagées par le fabricant. Pour toute question, contacter le fabricant.
- Avant d'entreprendre un travail d'entretien ou de nettoyage, interrompre l'alimentation de la hotte au niveau du tableau de disjoncteurs, et verrouiller le tableau de disjoncteurs pour empêcher tout rétablissement accidentel de l'alimentation du circuit. Lorsqu'il n'est pas possible de verrouiller le tableau de disjoncteurs, placer sur le tableau de disjoncteurs une étiquette d'avertissement proéminente interdisant le rétablissement de l'alimentation.
- Tout travail d'installation ou câblage électrique doit être réalisé par une personne qualifiée, dans le respect des prescriptions de tous les codes et normes applicables, y compris les codes du bâtiment et de protection contre les incendies.
- Ne pas faire fonctionner un ventilateur dont le cordon ou la fiche est endommagé(e). Jeter le ventilateur ou le retourner à un centre de service agréé pour examen et/ou réparation.
- Une source d'air de débit suffisant est nécessaire pour le fonctionnement correct de tout appareil à gaz (combustion et évacuation des gaz à combustion par la cheminée), pour qu'il n'y ait pas de reflux des gaz de combustion. Respecter les directives du fabricant de l'équipement de chauffage et les prescriptions des normes de sécurité - comme celles publiées par la National Fire Protection Association (NFPA) et l'American Society for Heating, Refrigeration and Air Conditioning Engineers (ASHRAE), et les prescriptions des autorités réglementaires locales.
- Lors d'opérations de découpage et de perçage dans un mur ou un plafond, veiller à ne pas endommager les câblages électriques ou canalisations qui peuvent s'y trouver.
- Les ventilateurs d'évacuation doivent toujours décharger l'air à l'extérieur.

MISE EN GARDE : Cet appareil est conçu uniquement pour la ventilation générale. Ne pas l'utiliser pour l'extraction de matières ou vapeurs dangereuses ou explosives.

MISE EN GARDE : Pour minimiser le risque d'incendie et évacuer adéquatement les gaz, veiller à acheminer l'air aspiré par un conduit jusqu'à l'extérieur - ne pas décharger l'air aspiré dans un espace vide du bâtiment comme une cavité murale, un plafond, un grenier, un vide sanitaire ou un garage.

AVERTISSEMENT : POUR RÉDUIRE LE RISQUE D'INCENDIE, UTILISER UNIQUEMENT DES CONDUITS MÉTALLIQUES.

AVERTISSEMENT : POUR MINIMISER LE RISQUE D'UN FEU DE GRAISSE SUR LA CUISINIÈRE :

- Ne jamais laisser un élément de surface fonctionner à puissance de chauffage maximale sans surveillance. Un renversement/débordement de matière grasseuse pourrait provoquer une inflammation et la génération de fumée. Utiliser une puissance de chauffage moyenne ou basse pour le chauffage d'huile.
- Veiller à toujours faire fonctionner le ventilateur de la hotte lors de la cuisson avec une puissance de chauffage élevée ou lors de la cuisson d'un mets à flamber (à savoir crêpes Suzette, cerise jubilé, steak au poivre flambé).
- Nettoyer fréquemment les ventilateurs d'extraction. Veiller à ne pas laisser la graisse s'accumuler sur les surfaces du ventilateur ou des filtres.
- Utiliser toujours un ustensile de taille appropriée. Utiliser toujours un ustensile adapté à la taille de l'élément chauffant.

AVERTISSEMENT : POUR RÉDUIRE LE RISQUE DE DOMMAGES CORPORELS APRÈS LE DÉCLENCHEMENT D'UN FEU DE GRAISSE SUR LA CUISINIÈRE, APPLIQUER LES RECOMMANDATIONS SUIVANTES :^a

- Placer sur le récipient un couvercle bien ajusté, une tôle à biscuits ou un plateau métallique **POUR ÉTOUFFER LES FLAMMES**, puis éteindre le brûleur. **VEILLER À ÉVITER LES BRÛLURES**. Si les flammes ne s'éteignent pas immédiatement, **ÉVACUER LA PIÈCE ET APPELER LES POMPIERS**.
- **NE JAMAIS PRENDRE EN MAIN UN RÉCIPENT ENFLAMMÉ** - vous risquez de vous brûler.
- **NE PAS UTILISER D'EAU**, ni un torchon humide - ceci pourrait provoquer une explosion de vapeur brûlante.
- Utiliser un extincteur **SEULEMENT** si :
 - Il s'agit d'un extincteur de classe ABC, dont on connaît le fonctionnement.
 - Il s'agit d'un petit feu encore limité à l'endroit où il s'est déclaré.
 - Les pompiers ont été contactés.
 - Il est possible de garder le dos orienté vers une sortie pendant l'opération de lutte contre le feu.

^aRecommandations tirées des conseils de sécurité en cas d'incendie de cuisine publiés par la NFPA.

- **AVERTISSEMENT :** Pour réduire le risque d'incendie ou de choc électrique, ne pas utiliser ce ventilateur avec un quelconque dispositif de réglage de la vitesse à semi-conducteurs.

LIRE ET CONSERVER CES INSTRUCTIONS

EXIGENCES D'INSTALLATION

Outils et pièces

Rassembler les outils et pièces nécessaires avant d'entreprendre l'installation. Lire et observer les instructions fournies avec chacun des outils de la liste ci-dessous.

Outils nécessaires

- Niveau
- Perceuse avec des forets de 1/4" (3,0 cm) et 3/16" (5,0 mm)
- Crayon
- Pince à dénuder ou couteau utilitaire
- Mètre-ruban ou règle
- Pince
- Pistolet à calfeutrage et composé de calfeutrage résistant aux intempéries
- Brides de conduit
- Scie sauteuse ou scie à guichet
- Tournevis à lame plate
- Cisaille de ferblantier
- Tournevis Phillips
- Embout ou tournevis TORX® T20®

Pièces nécessaires

Pour les installations avec câble rigide depuis le point de distribution, il vous faudra aussi :

- Câble d'alimentation électrique du domicile
- Serre-câble de 1/2" (12,7 mm) (homologation UL ou CSA)

Pour les installations avec décharge à l'extérieur, il vous faudra aussi :

- 1 bouche de décharge (décharge à travers le mur ou à travers le toit)
- Circuit d'évacuation métallique

Pour les installations sans décharge à l'extérieur (recyclage), il faudra aussi :

- Ensemble de recyclage, pièce numéro W10646866 pour les installations sans décharge à l'extérieur (recyclage) uniquement. Voir la section "Assistance ou service" pour commander.
- Ensemble de filtre à charbon, pièce numéro W10272069. Voir la section "Assistance ou service" pour commander.

Pièces fournies

Retirer les pièces de leur emballage. Vérifier que toutes les pièces sont présentes.

- Auvent de hotte avec ventilateur et ampoules installés
- Bossage de montage du conduit d'évacuation (fixé à l'auvent de hotte)
- Clapet
- 3 vis de 3,5 x 9,5 mm pour fixation du clapet au bossage de montage

- Filtre à graisse métallique installé sur la hotte
- Support de montage du cache-conduit
- Cache-conduit en 2 pièces
- 2 vis-boulon à tables de 8 x 80 mm (embout TORX® T20®)
- 2 écrous de 8 mm
- 2 rondelles plates
- 2 vis Torx® T20® de 5 x 40 mm pour montage du support du cache-conduit
- 2 chevilles d'ancrage mural de 5 mm
- Clé à écrou spéciale de 1/2" (13 mm)
- 2 cales en plastique pour cache-conduit inférieur

Exigences d'emplacement

IMPORTANT : Observer les dispositions de tous les codes et règlements en vigueur.

Confier l'installation de la hotte à un technicien qualifié. C'est à l'installateur qu'incombe la responsabilité de respecter les distances de séparation spécifiées sur la plaque signalétique de l'appareil. La plaque signalétique de l'appareil est située derrière le filtre de gauche, sur la paroi arrière de la hotte.

On doit toujours installer la hotte à distance des sources de courant d'air (fenêtres, portes et bouches de chauffage).

Respecter les dimensions indiquées pour les ouvertures à découper dans les placards. Ces dimensions tiennent compte des valeurs minimales des dégagements de séparation.

L'emplacement de montage de la hotte doit être capable de soutenir une charge de 100 lb (45,4 kg).

Il est recommandé d'utiliser cette hotte avec une table de cuisson dont la puissance totale ne dépasse pas 78 000 BTU.

On doit disposer d'une prise de courant électrique reliée à la terre. Voir la section "Spécifications électriques".

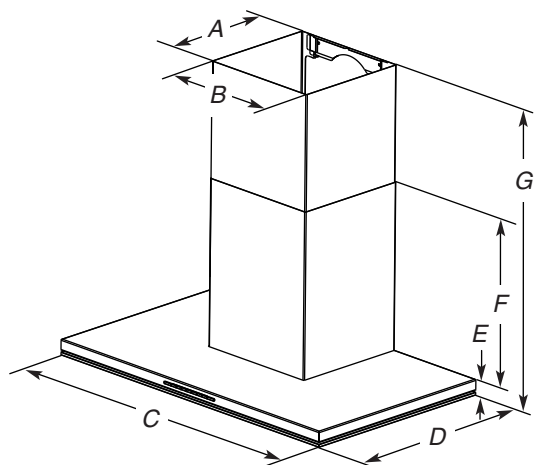
La hotte est configurée à l'usine pour une décharge à travers le toit ou un mur. Pour une installation sans décharge à l'extérieur (recyclage), voir "Installations sans décharge à l'extérieur (recyclage) uniquement", à la section "Raccordement du circuit d'évacuation". L'ensemble de recyclage (pièce numéro W10646866) et l'ensemble de filtre à charbon (pièce numéro W10272069) sont disponibles chez votre marchand ou chez un distributeur de pièces autorisé.

On doit assurer l'étanchéité au niveau de chaque ouverture découpée dans le plafond ou un mur traversé par l'équipement de la hotte.

Installation dans une résidence mobile

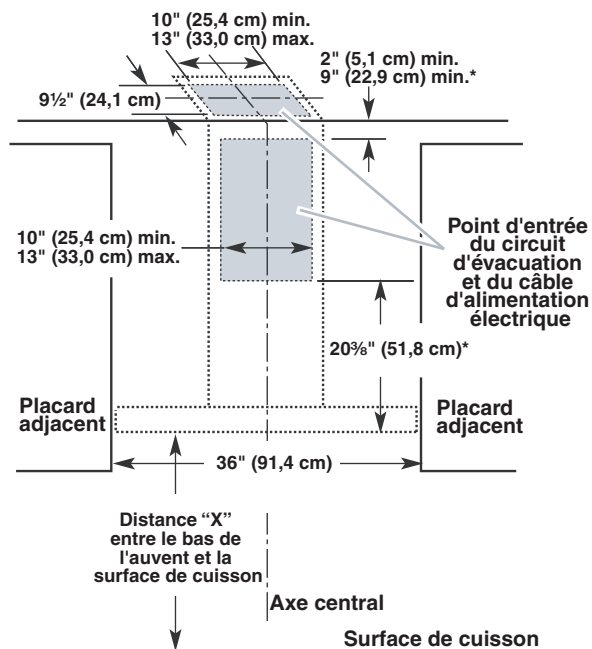
L'installation de cette hotte doit satisfaire aux exigences de la norme Manufactured Home Construction Safety Standards, Titre 24 CFR, partie 328 (anciennement Federal Standard for Mobile Home Construction and Safety, titre 24, HUD, partie 280); lorsque cette norme n'est pas applicable, l'installation doit satisfaire aux critères de la plus récente édition de la norme Manufactured Home Installation 1982 (Manufactured Home Sites, Communities and Setups) ANSI A225.1/NFPA 501A, ou des codes locaux.

Dimensions du produit



A. 12 3/8" (31,4 cm)	E. 1 5/8" (4,2 cm)
B. 13 1/8" (33,4 cm)	F. 25 1/16" (65,0 cm)
C. 36" (91,4 cm)	G. 33 1/8" (84,1 cm) min. 54 3/4" (139,1 cm) max.
D. 19 1/4" (48,8 cm)	

Dimensions du placard



*Installations sans décharge à l'extérieur (recyclage)

IMPORTANT :

Valeur minimale de la distance "X" : 24" (61,0 cm) à partir de la surface de cuisson électrique.
Distance minimale "X" : 30" (76,2 cm) à partir d'une surface de cuisson au gaz.
Distance maximale "X" suggérée : 36" (91,4 cm)

REMARQUE : Pour une performance optimale de la fonction Auto Sense (détection automatique), la hotte de cuisinière doit être installée à 24" (61 cm) d'une surface de cuisson électrique, et à 30" (76,2 cm) d'une surface de cuisson au gaz.

Les cache-conduits peuvent être adaptés à différentes hauteurs de plafond. Voir le tableau suivant.

Installations avec évacuation à l'extérieur

	Hauteur minimale sous plafond	Hauteur maximale sous plafond
Surface de cuisson électrique	7' 10" (2,39 m)	10' 4" (3,24 m)
Surface de cuisson au gaz	8' 4" (2,54 m)	10' 4" (3,24 m)

Installations sans évacuation à l'extérieur (recyclage)

	Hauteur minimale sous plafond	Hauteur maximale sous plafond
Surface de cuisson électrique	7' 10" (2,39 m)	10' 4" (3,24 m)
Surface de cuisson au gaz	8' 4" (2,54 m)	10' 4" (3,24 m)

***REMARQUE :** Les cache-conduits de hotte sont réglables; on peut les ajuster en fonction de la hauteur disponible sous plafond ou soffite, selon la distance "X" entre le bas de la hotte et la surface de cuisson. Pour des plafonds de hauteur supérieure (de 10' 4" à 12' [3,24 m à 3,66 m]), un ensemble d'extension de cache-conduit en acier inoxydable, pièce numéro W10646864 peut être acheté auprès de votre revendeur ou d'un distributeur de pièces autorisé. L'extension de cache-conduit remplace la section supérieure de cache-conduit fournie avec la hotte.

Exigences concernant l'évacuation

(modèles avec décharge à l'extérieur uniquement)

- Le système d'évacuation doit décharger l'air à l'extérieur, excepté pour les installations sans décharge à l'extérieur (recyclage).
- Ne pas terminer le circuit d'évacuation dans un grenier ou dans un autre espace clos.
- Ne pas utiliser une bouche de décharge murale de 4" (10,2 cm) normalement utilisée pour un équipement de buanderie.
- Utiliser un conduit métallique uniquement. Un conduit en métal rigide est recommandé. Ne pas utiliser de conduit de plastique ou en aluminium.
- La longueur du système d'évacuation et le nombre de coudes doit être réduit au minimum pour des performances optimales.

Pour un fonctionnement efficace et silencieux :

- Ne pas utiliser plus de trois coudes à 90°.
- Veiller à ce qu'il y ait une section droite de conduit d'un minimum de 24" (61,0 cm) entre les raccords coudés, si on doit en utiliser plus d'un.
- Ne pas installer 2 coudes successifs.
- Au niveau de chaque jointure du circuit d'évacuation, assurer l'étanchéité avec les brides de serrage.
- Le circuit d'évacuation doit comporter un clapet anti-reflux. Si la bouche de décharge murale ou par le toit comporte un clapet anti-reflux, ne pas utiliser le clapet fourni avec la hotte de cuisinière.
- À l'aide d'un produit de calfeutrage, assurer l'étanchéité autour de la bouche de décharge à l'extérieur (à travers le mur ou le toit).
- La taille du conduit doit être uniforme.

Installations dans les régions au climat froid

On doit installer un clapet anti-retour supplémentaire à l'arrière pour minimiser le reflux d'air froid, et incorporer un élément d'isolation thermique pour minimiser la conduction de chaleur par l'intermédiaire du conduit d'évacuation, de l'intérieur de la maison à l'extérieur. Le clapet anti-retour doit être placé du côté air froid de la barrière thermique.

L'élément d'isolation thermique doit être aussi proche que possible de l'endroit où le circuit d'évacuation s'introduit dans la partie chauffée de la maison.

Air d'appoint

Les codes locaux en bâtiment peuvent imposer l'emploi d'un circuit de renouvellement de l'air/introduction d'air d'appoint, lors de l'utilisation d'un circuit d'aspiration de débit supérieur à une valeur spécifiée en pieds cubes par minute. Le débit spécifié en pieds cubes par minute varie d'une juridiction à l'autre. Consulter un professionnel des installations de chauffage ventilation/climatisation au sujet des exigences spécifiques applicables dans la juridiction locale.

Méthodes d'évacuation

Cette hotte est configurée à l'usine pour la décharge de l'air aspiré à travers le toit ou à travers un mur.

Un circuit d'évacuation en conduit rond de 6" (15,2 cm) est nécessaire pour l'installation (non fourni). La hotte comporte une ouverture de sortie de diamètre 6" (15,2 cm).

Un raccord d'adaptation de 6" à 8" (15,2 cm à 20,3 cm) est disponible pour les circuits d'évacuation de 8" (20,3 cm). Voir la section "Assistance ou service" pour commander.

La sortie à l'extérieur du circuit d'évacuation peut se faire à travers le toit ou à travers un mur. Pour la sortie à travers un mur, on doit employer un raccord coudé à 90°.

Décharge à l'arrière

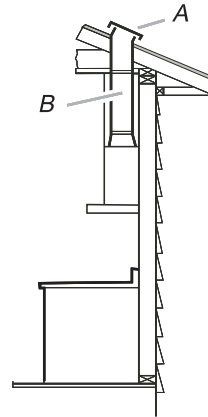
Le raccord coudé à 90° peut être installé immédiatement au-dessus de la hotte.

Installations sans décharge à l'extérieur (recyclage)

S'il n'est pas possible d'évacuer les fumées et vapeurs de cuisson à l'extérieur, on peut employer la version d'installation sans décharge à l'extérieur (recyclage) de la hotte, ainsi dotée d'un filtre à charbon et du déflecteur. Les fumées et vapeurs sont recyclées à travers les persiennes du cache-conduit supérieur.

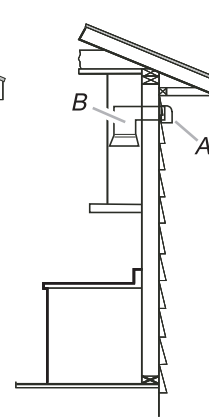
Pour commander, voir "Accessoires" dans la section "Assistance ou service".

Décharge à travers le toit



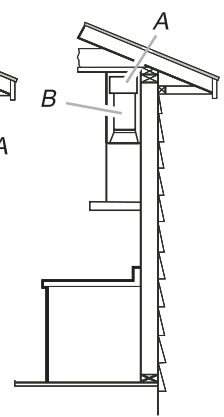
A. Bouche de décharge sur toit
B. Conduit métallique circulaire de 6" (15,2 cm) de diamètre

Décharge à travers le mur



A. Bouche de décharge murale
B. Conduit métallique circulaire de 6" (15,2 cm) de diamètre



Installation sans décharge à l'extérieur (recyclage)



A. Déflecteur
B. Conduit métallique circulaire de 6" (15,2 cm) de diamètre

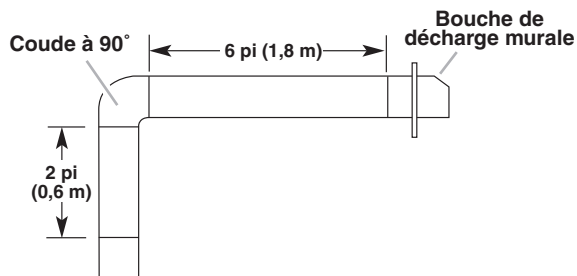
Calcul de la longueur effective du circuit d'évacuation

Pour calculer la longueur effective du circuit d'évacuation nécessaire, additionner les longueurs équivalentes (en pieds ou mètres) de tous les composants utilisés dans le système.

Composant	Conduit de diamètre de 6" (15,2 cm)	
Coude à 45°	2,5 pi (0,8 m)	
Coude à 90°	5,0 pi (1,5 m)	

La longueur équivalente maximale est de 35 pi (10,7 m).

Exemple de circuit d'évacuation



Dans l'exemple suivant, la longueur de conduit recommandée est de 35 pi (10,7 m) maximum.

1 coude à 90°	= 5 pi (1,5 m)
1 bouche de décharge murale	= 0 pi (0 m)
Section droite de 8 pi (2,4 m)	= 8 pi (2,4 m)
Longueur du système	= 13 pi (3,9 m)

Spécifications électriques

Observer les dispositions de tous les codes et règlements en vigueur.

Vérifier que l'installation électrique a été correctement effectuée et qu'elle est conforme aux spécifications de la plus récente édition des normes National Electrical Code, ANSI/NFPA 70, ou de la norme CSA C22.1-94, Code canadien de l'électricité, partie 1 et C22.2 N° 0-M91 (dernière édition) et de tous les codes et règlements en vigueur locaux.

Si les codes le permettent et si on utilise un conducteur distinct de liaison à la terre, il est recommandé qu'un électricien qualifié vérifie la qualité de la liaison à la terre.

Pour obtenir un exemplaire de la norme des codes ci-dessus, contacter :

National Fire Protection Association
1 Batterymarch Park
Quincy, MA 02169-7471
CSA International
8501 East Pleasant Valley Road
Cleveland, OH 44131-5575

- L'appareil doit être alimenté par un circuit de 120 VCA seulement, 60 Hz, 15 A, protégé par fusible.

Pour cordon d'alimentation avec fiche de branchement à 3 broches reliée à la terre :

⚠ AVERTISSEMENT



Risque de choc électrique

Brancher sur une prise à 3 alvéoles reliée à la terre.

Ne pas enlever la broche de liaison à la terre.

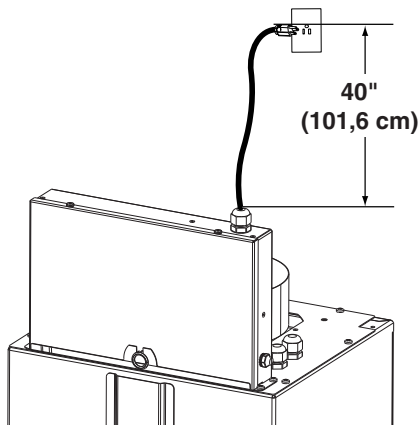
Ne pas utiliser un adaptateur.

Ne pas utiliser un câble de rallonge.

Le non-respect de ces instructions peut causer un décès, un incendie ou un choc électrique.

- Cette hotte est équipée d'un cordon d'alimentation électrique de liaison à la terre à trois broches.
- Pour minimiser les risques de choc électrique, on doit brancher le cordon sur une prise de courant de configuration correspondante, à 3 alvéoles, reliée à la terre et installée conformément aux codes et règlements locaux. Si une prise de courant de configuration correspondante n'est pas disponible, le client a la responsabilité de faire installer par un électricien qualifié une prise de courant correctement reliée à la terre.

- La prise à 3 broches reliée à la terre doit se trouver au-dessus de la hotte, à une distance maximale de 40" (101,6 cm) à partir du point duquel le cordon d'alimentation sort de la hotte. Voir l'illustration.



INSTRUCTIONS DE MISE À LA TERRE

- Pour une hotte reliée à la terre et connectée par un cordon :
 Cette hotte doit être reliée à la terre. Au cas où un court-circuit se produirait, la liaison à la terre réduit le risque de choc électrique, en permettant au courant de s'échapper directement vers la terre. La hotte est équipée d'un cordon comportant un conducteur de liaison à la terre avec fiche de liaison à la terre. La fiche doit être branchée dans une prise correctement installée et reliée à la terre.

AVERTISSEMENT : Une mise à la terre incorrecte peut entraîner un risque de choc électrique.

Consulter un électricien qualifié si les instructions de mise à la terre ne sont pas complètement comprises, ou si vous avez des doutes quant à la qualité de la liaison à la terre de la hotte.

Ne pas utiliser de câble de rallonge. Si le cordon d'alimentation électrique est trop court, faire installer une prise près de la hotte par un électricien qualifié.

CONSERVEZ CES INSTRUCTIONS

Pour câble rigide depuis le point de distribution du domicile :

- Si le domicile est équipé d'un câblage en aluminium, suivre la procédure ci-dessous :
 1. Connecter une section de câble en cuivre massif aux conducteurs en queue de cochon.
 2. Connecter le câblage en aluminium à la section ajoutée de câblage en cuivre en utilisant des connecteurs et/ou des outils spécialement conçus et homologués UL pour fixer le cuivre à l'aluminium.

Appliquer la procédure recommandée par le fabricant des connecteurs électriques. La connexion aluminium/cuivre doit être conforme aux codes locaux et aux pratiques de câblage acceptées par l'industrie.
- Le calibre des conducteurs et les connexions doivent être compatibles avec la demande de courant de l'appareil spécifiée sur la plaque signalétique. La plaque signalétique de l'appareil est située derrière le filtre, sur la paroi arrière de la hotte.
- Le calibre des conducteurs doit satisfaire aux exigences de la plus récente édition de la norme National Electrical Code, ANSI/NFPA 70, ou des normes CSA C22.1-94, Code canadien de l'électricité, partie 1 et C22.2 n° 0-M91 (dernière édition) et de tous les codes et règlements en vigueur.

INSTRUCTIONS D'INSTALLATION

Préparation de l'emplacement

- Il est recommandé d'installer le circuit d'évacuation avant de procéder à l'installation de la hotte.
 - Avant d'exécuter les découpages, vérifier la disponibilité d'un dégagement suffisant dans le plafond ou le mur pour le conduit d'évacuation.
 - Avant de sélectionner la hotte à installer, mesurer la hauteur libre sous plafond et la hauteur maximum disponible sous la hotte.
1. Déconnecter la source de courant électrique.
 2. Déterminer la méthode d'évacuation à utiliser : décharge à travers le mur ou le toit, ou recyclage.
 3. Sélectionner une surface plane pour l'assemblage de la hotte. Placer le matériau de protection sur cette surface.

AVERTISSEMENT

Risque du poids excessif

Utiliser deux ou plus de personnes pour déplacer et installer la hotte de la cuisinière.

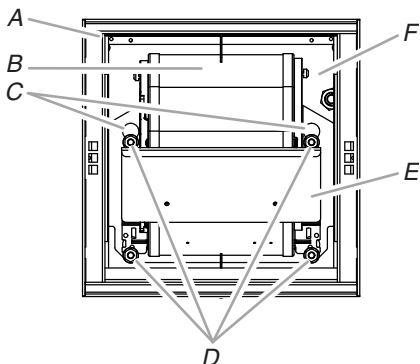
Le non-respect de cette instruction peut causer une blessure au dos ou d'autre blessure.

4. À l'aide de deux personnes ou plus, soulever la hotte et la poser sur la surface couverte.
5. Démontez le moteur de la hotte (voir la partie "Démontage du moteur" de cette section).

Démontage du moteur

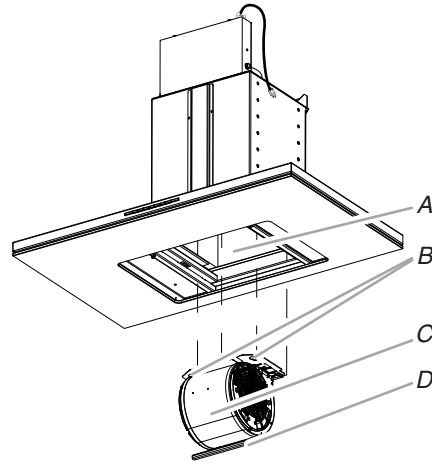
Pour démonter le moteur :

1. Retirer le couvercle du filtre et le filtre à graisse métallique (voir la partie "Filtres à graisse métalliques" dans la section "Entretien de la hotte").
2. Débrancher le connecteur à 9 broches du câblage du moteur du ventilateur.
3. Localiser l'outil spécial de $\frac{1}{2}$ " (13 mm) à l'intérieur du carter du ventilateur de hotte, dans le coin avant gauche, derrière la plaque isolante. S'en servir pour desserrer les 4 écrous, situés à l'intérieur du carter du ventilateur, qui maintiennent le moteur au couvercle supérieur du module.
4. Saisir la platine du moteur et glisser le moteur vers l'arrière du module en passant par les grandes ouvertures des orifices en trou de serrure.



- A. Outil spécial de $\frac{1}{2}$ " (13 mm)
- B. Moteur
- C. Orifices en trou de serrure (grande ouverture) (4)
- D. Écrous de fixation du moteur de $\frac{1}{2}$ " (13 mm) (4)
- E. Platine du moteur
- F. Couvercle supérieur du module

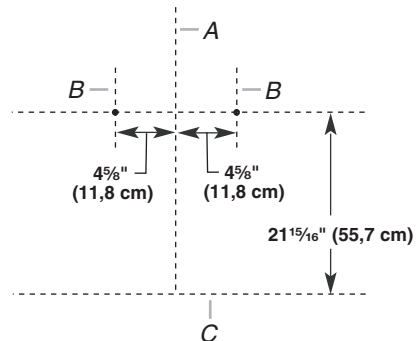
5. Retirer le moteur de la hotte.



- A. Carter du ventilateur
- B. Orifices en trous de serrure (4)
- C. Moteur
- D. Platine du moteur

Installation des vis de montage de la hotte

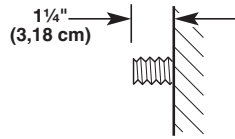
1. Déterminer et marquer la position de l'axe central sur le mur où la hotte sera installée.
2. Sélectionner une hauteur de montage comprise entre un minimum de 24" (61,0 cm) pour une surface de cuisson électrique, un minimum de 30" (76,2 cm) pour une surface de cuisson au gaz et un maximum suggéré de 36" (91,4 cm) entre le dessus de la cuisinière et le bas de la hotte. Marquer la ligne de repérage sur le mur.
3. Mesurer une distance de $21\frac{15}{16}$ " (55,7 cm) depuis la ligne de repérage horizontale de la hauteur de montage, et tracer une ligne horizontale parallèle. Le long de la ligne horizontale supérieure, mesurer $4\frac{5}{8}$ " (11,8 cm) de chaque côté de l'axe central. Marquer l'emplacement pour le centre des trous des organes de fixation.



- A. Axe central
- B. Emplacements des organes de fixation
- C. Ligne de référence pour la hauteur de montage (ligne correspondant au bas de la hotte)

IMPORTANT : Toutes les vis doivent être fixées à des structures de soutien en bois. Si l'on ne peut pas visser dans une structure de soutien en bois, des tasseaux supplémentaires pour accrochage mural seront peut-être nécessaires. Cette structure de montage doit être capable de soutenir une charge de 100 lb (45,4 kg).

- Perçer des avant-trous de $\frac{3}{16}$ " (4,8 mm) à tous les emplacements pour la pose des vis dans du bois.
- À l'aide d'un tournevis et d'un embout Torx® T20®, installer les 2 vis-boulon à têtes de 8 x 80 mm. Laisser un espace de $1\frac{1}{4}$ " (31,8 mm) entre le mur et l'arrière de la tête de vis pour faire glisser la hotte et la mettre en place.

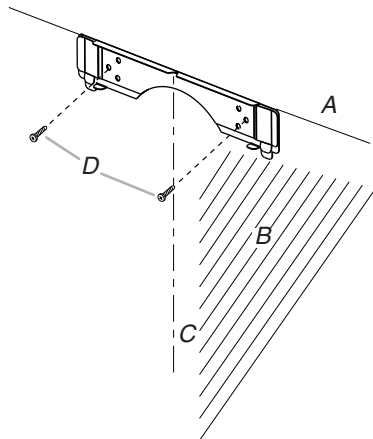


Installation de la bride de cache-conduit

- Centrer le support de montage du cache-conduit dans l'axe du mur et en affleurement avec le plafond pour marquer l'emplacement des trous extérieurs du centre des vis de montage. Marquer et percer 2 trous de $2 - \frac{3}{16}$ " (4,8 mm).
- Installer les chevilles d'ancrage de 5 mm.

Pour les installations avec décharge à l'extérieur uniquement :

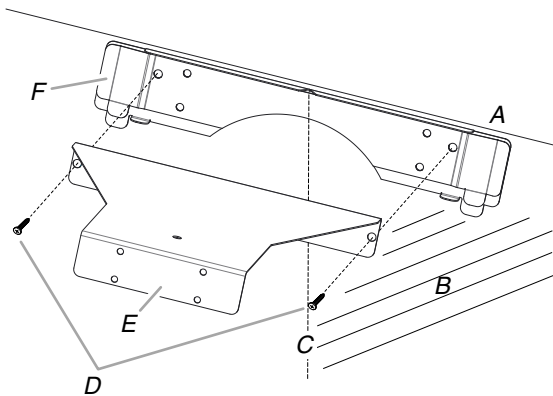
- Fixer la bride du cache-conduit au mur à l'aide de 2 vis de 5 x 40 mm (D).



A. Plafond
B. Mur
C. Axe central
D. Vis de 5 x 40 mm (2)

Installations sans décharge à l'extérieur (recyclage) :

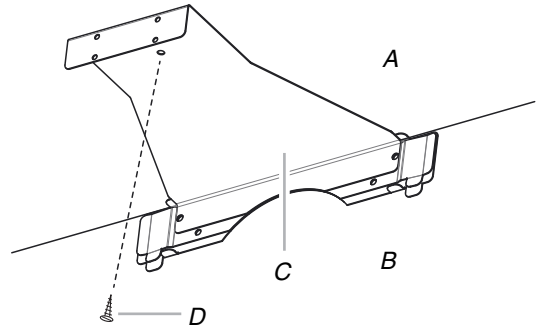
- Fixer le support du cache-conduit et le support du déflecteur d'air au mur à l'aide des 2 vis de 5 x 40 mm (D).



A. Plafond
B. Mur
C. Axe de symétrie de la hotte
D. 2 vis de 5 x 40 mm
E. Support du déflecteur d'air
F. Support de montage du cache-conduit

- Fixer le dessus du support du déflecteur d'air au plafond au moyen de la vis de 5 x 40 mm.

REMARQUE : Pour utiliser la cheville de 5 mm facultative fournie avec l'ensemble de recyclage, marquer au plafond l'emplacement du trou sur le dessus du support du déflecteur d'air. Retirer le support et percer un trou de $\frac{3}{16}$ " (4,8 mm) pour y enfoncer la cheville de 5 mm.



A. Plafond
B. Mur
C. Support du déflecteur d'air
D. Vis de 5 x 40 mm

Achever la préparation

- Déterminer et effectuer tous les découpages nécessaires dans le mur pour le passage du circuit d'évacuation. Installer le circuit d'évacuation avant la hotte. Voir la section "Exigences concernant l'évacuation".

Pour les installations avec décharge à l'extérieur uniquement :

- À l'aide d'une scie sauteuse ou scie à guichet, découper un trou de $6\frac{1}{2}$ " (16,5 cm) de diamètre dans le mur ou le plafond pour le conduit d'évacuation.
- Installer le circuit d'évacuation à travers le trou.
Utiliser des brides de conduit pour assurer l'étanchéité de tous les raccords.

Pour usage avec cordon d'alimentation avec fiche de branchement reliée à la terre :

- Cette hotte est équipée d'un cordon d'alimentation électrique de liaison à la terre à trois broches.
- La prise à 3 broches reliée à la terre doit se trouver à une distance maximale de 40" (101,6 cm) au-dessus du boîtier de connexion de la hotte. Si une prise de courant de configuration correspondante n'est pas disponible, le client a la responsabilité de faire installer par un électricien qualifié une prise de courant correctement reliée à la terre.

Pour usage avec câble rigide depuis le point de distribution du domicile :

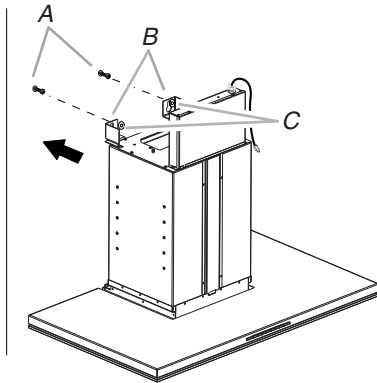
- Déterminer la hauteur appropriée pour le cordon d'alimentation du domicile et percer un trou de $1\frac{1}{4}$ " (3,2 cm) à cet endroit.
- Acheminer le câble d'alimentation du domicile selon les prescriptions du Code national de l'électricité, des normes CSA ou des codes et règlements locaux. Il faut que la longueur du conduit de $\frac{1}{2}$ " et des conducteurs soit suffisante depuis le tableau de distribution (avec fusibles ou disjoncteurs) pour réaliser facilement le raccordement dans le boîtier de connexion de la hotte.

REMARQUE : Ne pas mettre le système sous tension avant d'avoir complètement terminé l'installation.

- Utiliser un calfeutrant pour assurer l'étanchéité au niveau de chaque ouverture.

Installation de la hotte

1. À deux personnes au moins, suspendre la hotte aux 2 crochets de montage, à travers les encoches de montage à l'arrière de la hotte.



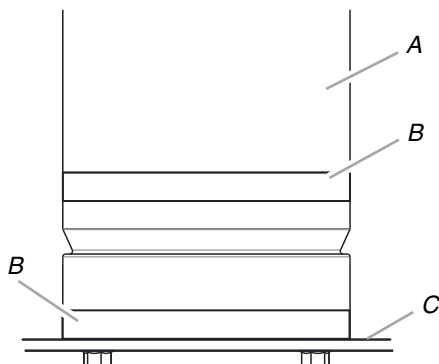
A. Vis de montage
B. Encoches de montage
C. Rondelles plates et écrous

2. Installer les rondelles plates et les écrous aux vis de montage. Mettre la hotte de niveau et serrer les écrous.

Raccordement du circuit d'évacuation

Installations avec décharge à l'extérieur :

1. Fixer le clapet (si nécessaire) au bossage de montage à l'aide de (3) vis de 3,5 x 9,5 mm
2. Fixer le système d'évacuation au clapet (si utilisé) ou au bossage de montage.
3. Fixer tous les raccords par des brides de conduit.

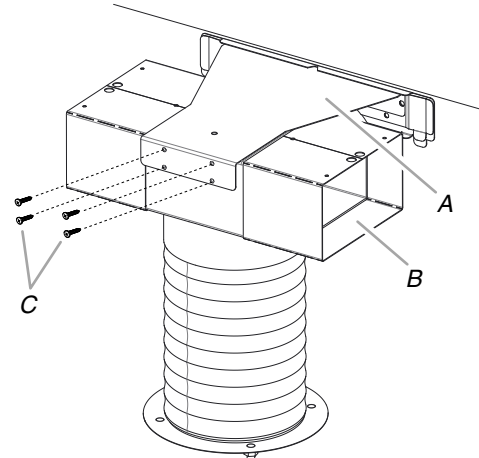


A. Conduit métallique
B. Brides pour conduit
C. Bossage de montage

4. Vérifier que le clapet anti-retour (si utilisé) fonctionne correctement.

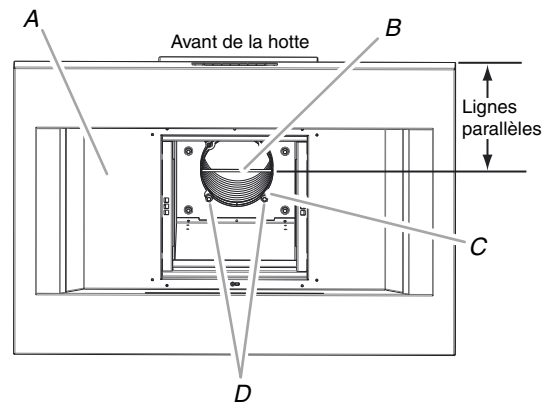
Installations sans décharge à l'extérieur (recyclage)

1. Assembler le déflecteur d'air et le conduit flexible sur le support du déflecteur d'air à l'aide des (4) vis d'assemblage de 3,5 x 9,5 mm fournies avec l'ensemble de recyclage.



A. Support du déflecteur d'air
B. Déflecteur d'air/conduit flexible
C. Vis de 3,5 x 9,5 mm (4)

2. Desserrer les 4 écrous situés sur le bossage de montage. La portée de chaque écrou doit se trouver à $\frac{3}{16}$ " (5 mm) environ de la surface du bossage de montage.
3. Déplier la partie flexible du conduit d'évacuation jusqu'au sommet de la plaque supérieure de la hotte.
4. Vérifier l'alignement de la poignée du bossage de montage. La poignée du bossage de montage doit être alignée parallèlement à l'avant de la hotte. Si un alignement s'avère nécessaire, desserrer l'une des brides du conduit et effectuer les ajustements nécessaires. Resserrer toute bride de conduit desserrée.
5. Fixer tous les raccords par des brides de conduit.
6. Accéder à l'intérieur de la hotte de cuisinière et saisir la poignée du bossage de montage. Tirer vers le bas pour aligner les écrous avec les trous du couvercle supérieur du module. Le pousser vers l'arrière dans les demi-fentes pour le fixer. Serrer les 4 écrous au moyen de l'outil spécial de $\frac{1}{2}$ " (13 mm) ou d'une clé à douille de $\frac{1}{2}$ " (13 mm) avec prolongateur.



A. Intérieur de la cavité de la hotte
B. Poignée du bossage de montage
B. Demi-fentes du couvercle supérieur du module (4)
D. Écrous (4)

REMARQUE : Pour des plafonds d'une hauteur supérieure à 9 pi (1,8 m), un conduit d'une longueur appropriée de 6" (15,2 cm) (non fourni) est nécessaire.

Remontage du moteur

1. Placer le moteur dans le module de sorte que les grands orifices en trou de serrure de la platine de fixation du moteur se trouvent à l'arrière de la hotte.
2. En tenant la platine du moteur, lever le moteur dans son module. Aligner les grands orifices en trou de serrure avec les écrous de fixation du moteur, le lever contre le couvercle supérieur du module et tirer le moteur vers l'avant pour le bloquer dans les petites fentes des orifices en trou de serrure.
3. Au moyen de l'outil spécial de 1/2" (13 mm), serrer les (4) écrous pour fixer le moteur.

Raccordement électrique

Pour cordon d'alimentation avec fiche de branchement à 3 broches reliée à la terre :

⚠ AVERTISSEMENT



Risque de choc électrique

Brancher sur une prise à 3 alvéoles reliée à la terre.

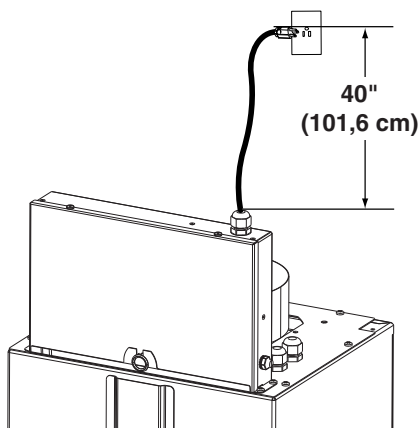
Ne pas enlever la broche de liaison à la terre.

Ne pas utiliser un adaptateur.

Ne pas utiliser un câble de rallonge.

Le non-respect de ces instructions peut causer un décès, un incendie ou un choc électrique.

1. Brancher le cordon d'alimentation à 3 broches dans une prise à 3 alvéoles reliée à la terre située au-dessus de la hotte.



Pour câble rigide depuis le point de distribution du domicile :

⚠ AVERTISSEMENT



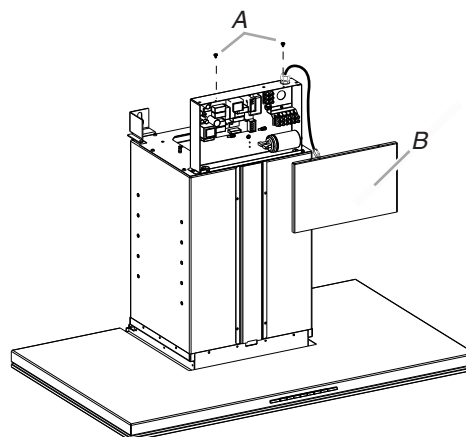
Risque de choc électrique

Déconnecter la source de courant électrique avant l'entretien.

Replacer pièces et panneaux avant de faire la remise en marche.

Le non-respect de ces instructions peut causer un décès ou un choc électrique.

1. Déconnecter la source de courant électrique.
2. Ôter le couvercle du boîtier de connexion.

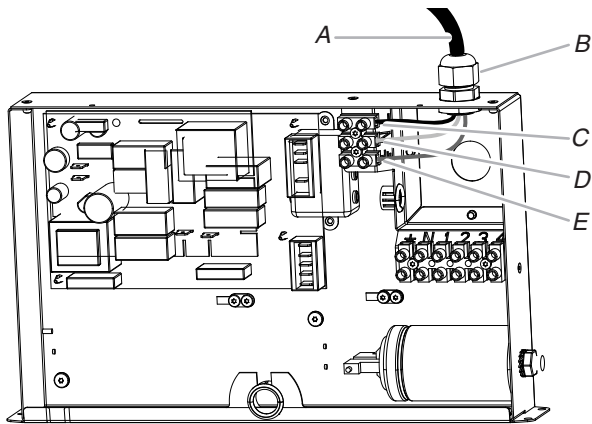


A. Vis

B. Couvercle du boîtier de connexion

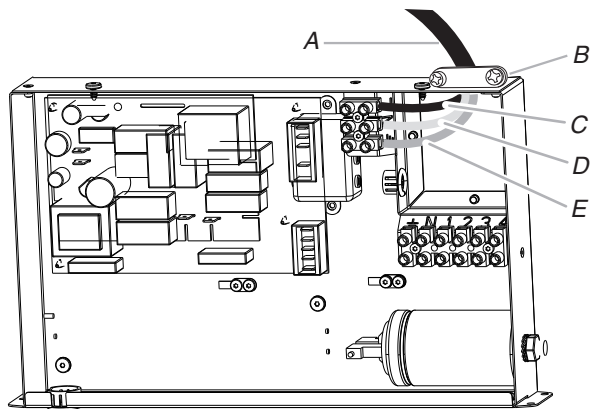
3. Déconnecter du bornier les câbles du cordon d'alimentation relié à la terre. Desserrer les vis étiquetées "L," "N," et "Ground Symbol" (symbole de liaison à la terre).

- Retirer du boîtier de connexion le serre-câble du cordon d'alimentation, et retirer le cordon d'alimentation.



A. Cordon d'alimentation
 B. Serre-câble du cordon d'alimentation
 C. Emplacement "L" (conducteur noir)
 D. Emplacement "N" (conducteur blanc)
 E. Emplacement du symbole de liaison à la terre (conducteur vert ou nu de liaison à la terre)

- Installer un serre-câble de 1/2" homologué UL ou CSA.
- Acheminer le cordon d'alimentation du domicile à travers le serre-câble, dans le boîtier de connexion.



A. Câble d'alimentation électrique du domicile
 B. Serre-câble (homologation UL ou CSA)
 C. Emplacement "L" (conducteur noir)
 D. Emplacement "N" (conducteur blanc)
 E. Emplacement du symbole de terre (conducteur vert ou nu de liaison à la terre)

- Desserrer la vis étiquetée "L" sur le bornier, et connecter le conducteur noir C. Resserrer la vis.
- Desserrer la vis étiquetée "N" sur le bornier, et connecter le conducteur blanc D. Resserrer la vis.

⚠ AVERTISSEMENT



Risque de choc électrique

Relier le ventilateur à la terre.

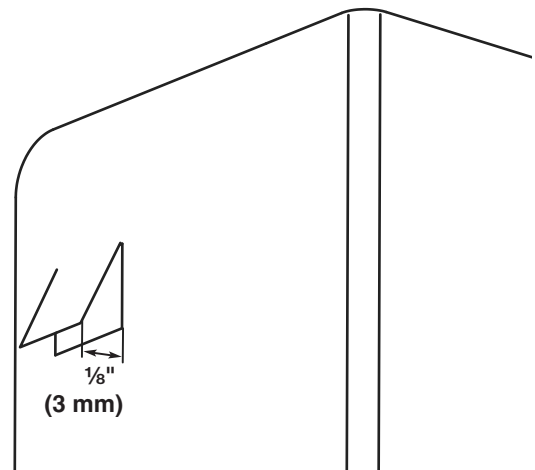
Brancher le fil relié à la terre au fil vert et jaune relié à la terre dans la boîte de la borne.

Le non-respect de ces instructions peut causer un décès ou un choc électrique.

- Desserrer la vis étiquetée "Ground Symbol" (symbole de terre) sur le bornier, et connecter le conducteur vert ou nu de liaison à la terre E. Resserrer la vis.
- Serrer les vis du serre-câble.
- Réinstaller le couvercle du boîtier de connexion.
- Reconnecter la source de courant électrique.

Installer les cache-conduits

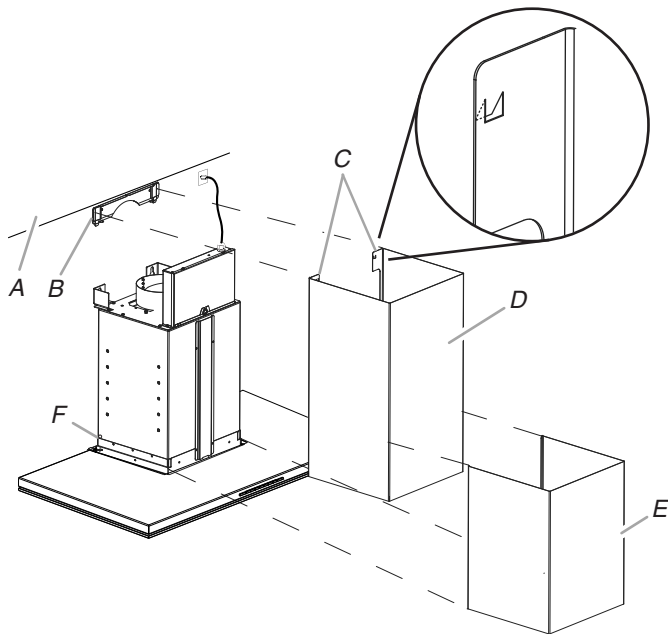
- Sur le cache-conduit supérieur, tordre les 2 languettes vers l'extérieur d'environ 1/8" (3 mm).



2. Glisser les rebords arrière du cache-conduit supérieur entre les languettes de maintien du support de montage du cache-conduit et bloquer les languettes préalablement tordues dans les fentes de la plaque arrière du support de montage du cache-conduit.

REMARQUE : Une fois les languettes du cache-conduit supérieur bloquées dans le support de montage, le cache-conduit supérieur est difficile à enlever. Pour le retirer si besoin, placer une lame mince derrière le coin en haut du cache-conduit supérieur et de son support de montage pour faire rentrer les languettes de maintien des deux côtés, puis tirer les rebords latéraux arrière hors du support de montage du cache-conduit.

3. Fixer les 2 cales en plastique (F), une de chaque côté en bas du module de ventilateur.
4. Écarter le cache-conduit inférieur et le glisser par-dessus le cache-conduit supérieur et le module du ventilateur. Le cache-conduit inférieur doit reposer sur le dessus de la hotte.



- A. Plafond
 B. Support de montage du cache-conduit
 C. Cache-conduit supérieur - rebords arrière
 D. Cache-conduit supérieur
 E. Cache-conduit inférieur
 F. Cales en plastique (2)

Achever l'installation

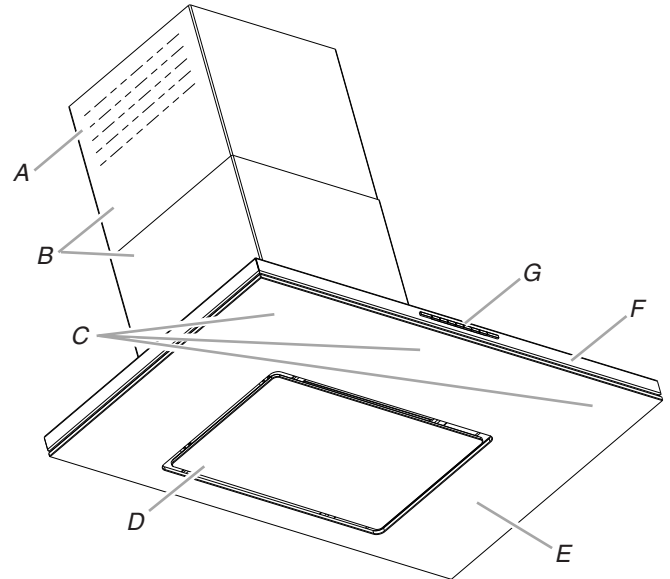
1. Pour les installations sans évacuation à l'extérieur (recyclage) uniquement, installer les filtres à charbon par-dessus le filtre à mailles métallique. Voir la section "Entretien de la hotte".
2. Installer le filtre métallique. Voir la section "Entretien de la hotte".
3. Contrôler le fonctionnement du ventilateur de la hotte et des lampes. Voir la section "Utilisation de la hotte".

REMARQUE : Pour pouvoir tirer le plus grand parti de la nouvelle hotte de cuisinière, lire la section "Utilisation de la hotte".

UTILISATION DE LA HOTTE

La hotte de cuisinière est conçue pour extraire fumée, vapeurs de cuisson et odeurs de la zone de la table de cuisson. Pour obtenir les meilleurs résultats, mettre le ventilateur de la hotte en marche avant d'entreprendre une cuisson, et laisser le ventilateur fonctionner pendant plusieurs minutes après l'achèvement d'une cuisson pour pouvoir évacuer de la cuisine toute trace d'odeur de cuisson, vapeur ou fumée.

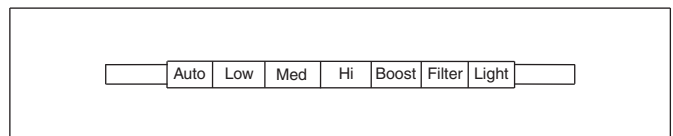
Les commandes de la hotte sont situées à l'avant de la hotte.



- A. Ouvertures persiennes (Installations sans évacuation à l'extérieur [recyclage] uniquement)
 B. Cache-conduit
 C. Lampes

- D. Porte vitrée du filtre
 E. Vitre de la hotte
 F. Auvent
 G. Panneau de commande

Tableau de commande



Commandes et caractéristiques

REMARQUES :

- Pour activer les commandes, maintenir appuyé le bouton désiré.
- Lorsqu'une caractéristique est enclenchée, le bouton correspondant s'illumine.

Mode de veille

Lorsqu'elle n'est pas utilisée, la hotte se met automatiquement en mode veille. Au bout de 10 minutes d'inactivité de la hotte, tous les témoins lumineux des boutons de commande s'éteignent. Pour arrêter le mode de veille, appuyer sur n'importe quel bouton.

Auto Sense (détection automatique)

La fonction Auto Sense (détection automatique) met la hotte en marche automatiquement lorsqu'elle détecte une chaleur supérieure à la limite de température permise. Lorsque la fonction Auto Sense (détection automatique) est activée, la vitesse du ventilateur augmente ou diminue selon la température détectée par Auto Sense.

La fonction Auto Sense peut être augmentée manuellement en sélectionnant une vitesse de ventilateur plus élevée. Le moteur du ventilateur fonctionnera à la vitesse sélectionnée pendant 10 minutes avant de revenir à la vitesse sélectionnée par Auto Sense.

Si la fonction Auto Sense est activée, le témoin lumineux du bouton Auto s'éteint et entre en mode veille lorsque la hotte n'est pas utilisée. Si la hotte est mise en marche par l'utilisateur ou par la fonction Auto Sense (détection automatique), le témoin lumineux du bouton Auto s'allume.

Pour régler la fonction Auto Sense (détection automatique) :

Appuyer sur AUTO.

Pour sélectionner le type de table de cuisson pour la fonction Auto Sense (détection automatique) :

REMARQUE : Cette hotte a été configurée à l'usine pour détecter une table de cuisson à gaz.

Appuyer sur AUTO pendant 5 secondes pour passer du mode table de cuisson à gaz au mode table de cuisson électrique.

Le témoin lumineux du bouton Auto clignote 5 fois lorsque la hotte passe au mode table de cuisson électrique. La fonction Auto Sense est à présent configurée pour les tables de cuisson et les cuisinières électriques.

Le témoin lumineux du bouton Auto clignote 3 fois lorsque la hotte passe au mode table de cuisson à gaz. La fonction Auto Sense est à présent configurée pour les tables de cuisson et les cuisinières à gaz.

Modifier le type de table de cuisson modifie également la limite de température mettant en route la fonction Auto Sense. Lorsque la hotte détecte une température suffisamment élevée, le ventilateur se met en route automatiquement. Lorsque la température descend au-delà de la limite réglée, le ventilateur s'arrête automatiquement. Le témoin lumineux du bouton Auto s'éteint lorsque la hotte entre en mode veille, mais la fonction Auto Sense est toujours active.

Pour désactiver la fonction Auto Sense (détection automatique) :

Si le témoin lumineux du bouton Auto est allumé, appuyer une fois sur AUTO pour désactiver la fonction Auto Sense. Le témoin lumineux du bouton Auto s'éteint.

Si la fonction Auto Sense est en mode veille, appuyer une fois sur AUTO pour désactiver le mode veille, et le bouton Auto s'illumine. Appuyer encore une fois sur AUTO pour désactiver le mode Auto Sense, et le bouton Auto s'éteint.

Le système de déclenchement automatique Auto Sense s'éteint automatiquement après 2 heures d'inactivité. Pour réactiver Auto Sense, appuyer sur AUTO.

Fonctions manuelles de ventilation

Vitesses du ventilateur

- Low (basse)** Appuyer sur LOW (basse) pour mettre en marche le ventilateur à vitesse peu élevée.
- Med (moyenne)** Appuyer sur MED (moyenne) pour mettre en marche le ventilateur à vitesse moyenne.
- Hi (élevée)** Appuyer sur HI (élevée) pour mettre en marche le ventilateur à vitesse élevée.
- Boost (niveau optimal)** Appuyer sur BOOST (niveau optimal) pour mettre en marche le ventilateur à vitesse maximale. Le mode Boost s'arrête automatiquement au bout de 10 minutes, et la vitesse du ventilateur se règle sur High (élevée).

Minuterie

La hotte peut être réglée pour s'éteindre automatiquement après 15 minutes.

1. Maintenir appuyé le bouton de la vitesse de ventilateur désirée pendant 2 secondes.
Le moteur du ventilateur fonctionne alors à la vitesse sélectionnée pendant 15 minutes et le témoin lumineux de la vitesse du ventilateur clignote en continu.
Après 15 minutes, le ventilateur s'éteint automatiquement.
2. Lorsque la minuterie du ventilateur est en marche, appuyer encore une fois sur le bouton correspondant à la vitesse de ventilateur désirée pour annuler la minuterie du ventilateur.
REMARQUE : On peut également annuler la minuterie de 15 minutes en modifiant la vitesse du ventilateur ou en mettant en route la fonction Auto Sense (détection automatique).

Filtre

Le témoin lumineux du bouton Filter (filtre) s'allume lorsqu'il est temps de remplacer ou de nettoyer le filtre. Le témoin doit être illuminé lorsque le ventilateur fonctionne. Appuyer sur FILTER (filtre) après avoir remplacé le filtre pour éteindre le témoin lumineux du bouton Filter (filtre). Voir la section "Nettoyage" pour des instructions de remplacement et de nettoyage du filtre.

Éclairage

Appuyer sur LIGHT (lampe) pour allumer ou éteindre les lampes de la hotte.

ENTRETIEN DE LA HOTTE

Nettoyage

IMPORTANT : Nettoyer fréquemment la hotte et les filtres à graisse en suivant les instructions suivantes. Réinstaller les filtres à graisse avant de faire fonctionner la hotte.

Surfaces externes :

Afin d'éviter d'endommager la surface externe, ne pas utiliser de tampons en laine d'acier ou de tampons à récurer savonneux.

Toujours essuyer pour éviter de laisser des marques d'eau.

Méthode de nettoyage :

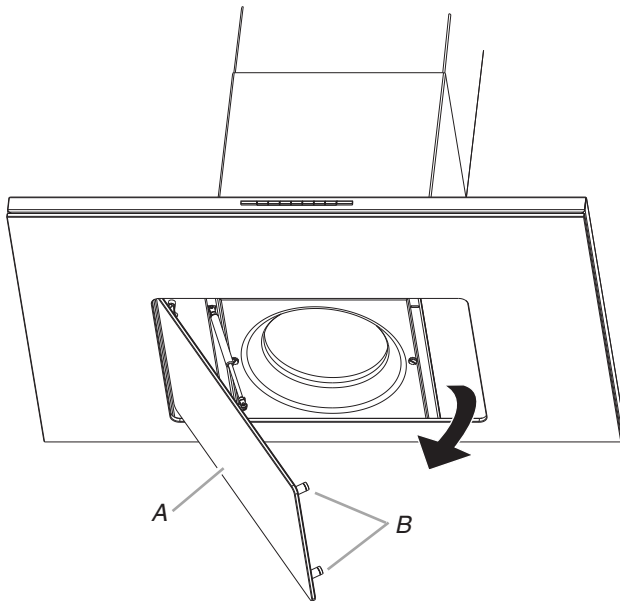
- Savon détergent liquide et eau, ou nettoyant tout usage
- Frotter avec un chiffon doux humide ou une éponge non abrasive, puis rincer avec de l'eau propre et essuyer.

Filtres à graisse métalliques

Le filtre doit être lavé fréquemment. Placer le filtre métallique dans le lave-vaisselle ou dans une solution de détergent chaude pour le nettoyage.

Laisser sécher le filtre complètement avant de le remettre en place.

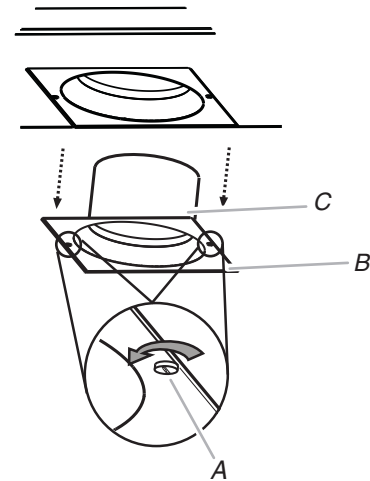
REMARQUE : Le filtre à graisse métallique se trouve derrière le panneau vitré central. Le panneau est fixé par des charnières sur le côté gauche, et fixé par aimantation sur le côté droit. Pour accéder au filtre à graisse, saisir le panneau par les coins droits et tirer vers le bas. Cela libère le panneau de la force d'attraction des aimants et lui permet de pivoter vers le bas.



A. Panneau vitré central
B. Aimants

Dépose des filtres à graisse métalliques

1. Éteindre le ventilateur et les lampes.
2. Retirer le cadre de support du filtre et le filtre à graisse en utilisant un tournevis à tête plate pour tourner les vis de fixation du filtre à graisse 90° dans le sens antihoraire.



A. Vis de fixation du filtre à graisse
B. Cadre de support du filtre
C. Filtre à graisse

Réinstallation du filtre à graisse métallique

Replacer le filtre à graisse et le cadre du filtre dans la hotte de la cuisinière. Aligner la vis du filtre à graisse et utiliser un tournevis à tête plate pour tourner les vis de fixation du filtre à graisse à 90° dans le sens horaire pour le verrouiller en place.

Filtres à charbon – Installation sans évacuation à l'extérieur (recyclage)

REMARQUE : Le filtre à charbon doit être remplacé après environ 3 ans d'utilisation. Pour commander un ensemble de filtre à charbon de rechange, voir la section "Assistance ou service".

On peut nettoyer et réactiver les filtres à charbon. Nettoyer le filtre au lave-vaisselle avec un détergent normal (sélectionner le réglage de température le plus élevé).

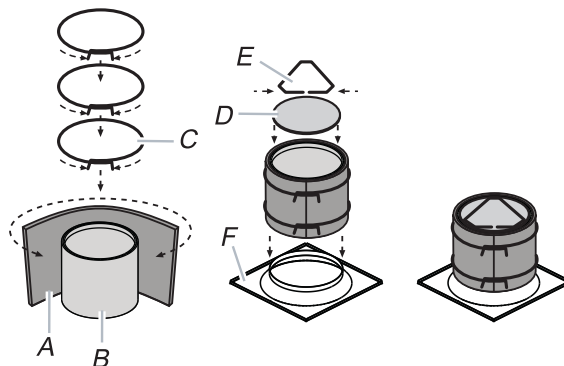
Pour la réactivation du filtre, sécher le filtre dans un four pendant 10 minutes à une température maximum de 210°F (100°C).

Dépose des filtres à charbon

1. Éteindre le ventilateur et les lampes.
2. Retirer les filtres à graisse métalliques. Voir la section "Filtres à graisse métalliques".
3. Retirer les ressorts latéraux et supérieurs du système de verrouillage.
4. Nettoyer ou jeter le filtre à charbon.

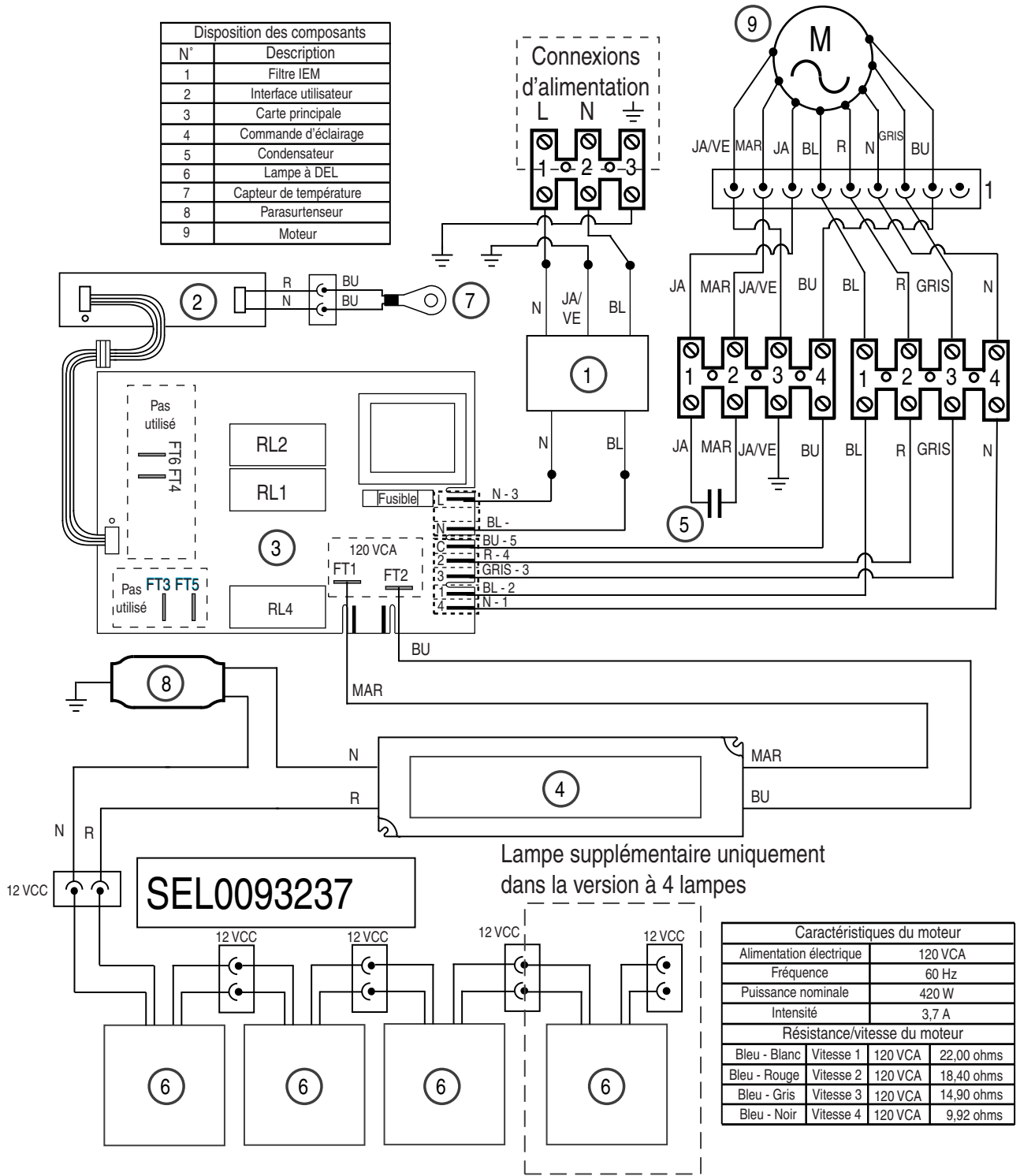
Réinstallation des filtres à charbon

1. Pour les installations sans évacuation à l'extérieur (recyclage), installer le filtre à charbon en l'enveloppant autour du filtre à graisse.
2. Placer le morceau de revêtement souple du filtre à charbon autour du filtre à graisse et le fixer à l'aide du ressort de verrouillage du couvercle fourni.
3. Positionner le couvercle supérieur et le fixer à l'aide du ressort de verrouillage du couvercle fourni.



- A. Revêtement souple du filtre à charbon
- B. Filtre à graisse
- C. Ressorts latéraux de verrouillage du filtre à charbon
- D. Couvercle supérieur
- E. Ressort de verrouillage du couvercle
- F. Support du filtre à graisse

SCHÉMA DE CÂBLAGE



ASSISTANCE OU SERVICE

Si vous avez besoin de service

Consulter la page de garantie du présent manuel.

Si vous avez besoin de pièces de rechange

Si vous avez besoin de commander des pièces de rechange, nous vous recommandons d'utiliser seulement des pièces spécifiées par l'usine. Les pièces spécifiées par l'usine conviendront et fonctionneront bien car elles sont fabriquées avec la même précision que celle utilisée pour fabriquer chaque nouvel appareil.

Pour localiser des pièces spécifiées par l'usine dans votre région, composer le numéro de téléphone d'aide à la clientèle suivant ou appeler le centre de service désigné le plus proche.

Au Canada

Téléphoner sans frais au Centre pour l'eXpérience de la clientèle Jenn-Air Canada LP au **1-800-JENN-AIR (1-800-536-6247)** ou visiter notre site Internet sur **www.jennair.ca**.

Nos consultants peuvent vous aider sur les points suivants :

- Appeler pour demander une intervention de dépannage. Les techniciens de service désignés par Jenn-Air® sont formés pour remplir la garantie des produits et fournir un service après la garantie, partout au Canada.
- Caractéristiques et spécifications de notre gamme complète d'appareils ménagers.
- Références aux concessionnaires locaux Jenn-Air®.
- Renseignements pour l'installation.
- Procédés d'utilisation et d'entretien.
- Vente d'accessoires et de pièces de rechange.

Pour de l'aide supplémentaire

Si vous avez besoin d'aide supplémentaire, vous pouvez écrire à Jenn-Air® Appliances en soumettant toute question ou problème à :

Jenn-Air Brand Home Appliances
Centre pour l'eXpérience de la clientèle
200 - 6750 Century Ave
Mississauga, Ontario L5N 0B7

Veillez indiquer dans votre correspondance un numéro de téléphone où l'on peut vous joindre dans la journée.

Accessoires

Filtre à charbon

(pour installations sans décharge à l'extérieur uniquement)
Commander la pièce numéro W10272069

Ensemble de recyclage

(pour installations sans décharge à l'extérieur uniquement)
Commander la pièce numéro W10646866

Ensemble d'extension de cache-conduit

Commander la pièce numéro W10646864

Ensemble de recyclage pour cache-conduit

(Installations sans décharge à l'extérieur)
Commander la pièce numéro W10685949

Ensemble prolongateur de cache-conduit (recyclage)

(Installations sans décharge à l'extérieur)
Commander la pièce numéro W10686362

Raccord d'adaptation de 6" à 8" (15,2 cm à 20,3 cm)

(Circuits d'évacuation de 8" [20,3 cm])
Commander la pièce numéro W10685950

GARANTIE LIMITÉE DES GROS APPAREILS MÉNAGERS JENN-AIR®

ATTACHEZ ICI VOTRE REÇU DE VENTE. UNE PREUVE D'ACHAT EST OBLIGATOIRE POUR OBTENIR L'APPLICATION DE LA GARANTIE.

Lorsque vous appelez le centre d'eXpérience de la clientèle, veuillez garder à disposition les renseignements suivants :

- Nom, adresse et numéro de téléphone
- Numéros de modèle et de série
- Une description claire et détaillée du problème rencontré
- Une preuve d'achat incluant le nom et l'adresse du marchand ou du détaillant

SI VOUS AVEZ BESOIN DE SERVICE :

1. Avant de nous contacter pour obtenir un dépannage, veuillez déterminer si des réparations sont nécessaires pour votre produit. Certains problèmes peuvent être résolus sans intervention de dépannage. Prenez quelques minutes pour parcourir la section Dépannage ou Résolution de problèmes du guide d'utilisation et d'entretien, scannez le code QR ci-contre avec votre téléphone intelligent pour accéder à des ressources supplémentaires, ou rendez-vous sur le site <http://www.jennair.ca>.
2. Tout service sous garantie doit être effectué exclusivement par nos fournisseurs de dépannage autorisés Jenn-Air. Aux E.-U. et au Canada, dirigez toutes vos demandes de service sous garantie au

Centre d'eXpérience de la clientèle Jenn-Air

1-800-JENNAIR (1-800-536-6247)



<http://www.jennair.ca>

Si vous résidez à l'extérieur du Canada et des 50 États des États-Unis, contactez votre marchand Jenn-Air autorisé pour déterminer si une autre garantie s'applique.

GARANTIE LIMITÉE DE UN AN

CE QUI EST COUVERT

Pendant un an à compter de la date d'achat, lorsque ce gros appareil ménager est installé, utilisé et entretenu conformément aux instructions jointes à ou fournies avec le produit, la marque Jenn-Air de Whirlpool Corporation ou Whirlpool Canada, LP (ci-après désignées "Jenn-Air") décidera à sa seule discrétion de remplacer le produit ou de couvrir le coût des pièces spécifiées par l'usine et de la main-d'œuvre nécessaires pour corriger les vices de matériaux ou de fabrication qui existaient déjà lorsque ce gros appareil ménager a été acheté. S'il est remplacé, l'appareil sera couvert pour la période restant à courir de la garantie limitée d'un an du produit d'origine.

LE SEUL ET EXCLUSIF RECOURS DU CLIENT DANS LE CADRE DE LA PRÉSENTE GARANTIE LIMITÉE CONSISTE EN LA RÉPARATION PRÉVUE PAR LA PRÉSENTE. Le service doit être fourni par une compagnie de service désignée par Jenn-Air. Cette garantie limitée est valide uniquement aux États-Unis ou au Canada et s'applique exclusivement lorsque le gros appareil ménager est utilisé dans le pays où il a été acheté. La présente garantie limitée est valable à compter de la date d'achat initial par le consommateur. Une preuve de la date d'achat initial est exigée pour obtenir un dépannage dans le cadre de la présente garantie limitée.

CE QUI N'EST PAS COUVERT

1. Usage commercial, non résidentiel ou par plusieurs familles, ou non-respect des instructions de l'utilisateur, de l'opérateur ou des instructions d'installation.
2. Visite d'instruction à domicile pour montrer à l'utilisateur comment utiliser l'appareil.
3. Visites de service pour rectifier une installation ou un entretien fautifs du produit, une installation non conforme aux codes d'électricité ou de plomberie, ou la rectification de l'installation électrique ou de la plomberie du domicile (ex : câblage électrique, fusibles ou tuyaux d'arrivée d'eau du domicile).
4. Pièces consommables (ex : ampoules, batteries, filtres à air ou à eau, solutions de conservation, etc.).
5. Conversion de votre produit du gaz naturel ou du gaz de pétrole liquéfié.
6. Dommages causés par : accident, mésusage, abus, incendie, inondations, catastrophe naturelle ou l'utilisation de produits non approuvés par Jenn-Air.
7. Réparations aux pièces ou systèmes dans le but de rectifier un dommage ou des défauts résultant d'une réparation, altération ou modification non autorisée faite à l'appareil.
8. Défauts d'apparence, notamment les éraflures, traces de choc, fissures ou tout autre dommage subi par le fini de l'appareil ménager, à moins que ces dommages ne résultent de vices de matériaux ou de fabrication et ne soient signalés à Jenn-Air dans les 30 jours suivant la date d'achat.
9. Décoloration, rouille ou oxydation des surfaces résultant d'environnements caustiques ou corrosifs incluant des concentrations élevées de sel, un haut degré d'humidité ou une exposition à des produits chimiques (exemples non exhaustifs).
10. Perte d'aliments ou de médicaments due à la défaillance du produit.
11. Enlèvement ou livraison. Ce produit est conçu pour être réparé à l'intérieur du domicile.
12. Frais de déplacement et de transport pour le dépannage/la réparation dans une région éloignée où une compagnie de service Jenn-Air autorisée n'est pas disponible.
13. Retrait ou réinstallation d'appareils inaccessibles ou de dispositifs préinstallés (ex : garnitures, panneaux décoratifs, plancher, meubles, îlots de cuisine, plans de travail, panneaux de gypse, etc.) qui entravent le dépannage, le retrait ou le remplacement du produit.
14. Service et pièces pour des appareils dont les numéros de série et de modèle originaux ont été enlevés, modifiés ou ne peuvent pas être facilement identifiés.

Le coût d'une réparation ou d'un remplacement dans le cadre de ces circonstances exclues est à la charge du client.

CLAUSE D'EXONÉRATION DE RESPONSABILITÉ AU TITRE DES GARANTIES IMPLICITES

LES GARANTIES IMPLICITES, Y COMPRIS LES GARANTIES APPLICABLES DE QUALITÉ MARCHANDE OU D'APTITUDE À UN USAGE PARTICULIER, SONT LIMITÉES À UN AN OU À LA PLUS COURTE PÉRIODE AUTORISÉE PAR LA LOI. Certains États et provinces ne permettent pas de limitation sur la durée des garanties implicites de qualité marchande ou d'aptitude à un usage particulier, de sorte que la limitation ci-dessus peut ne pas être applicable dans votre cas. Cette garantie vous confère des droits juridiques spécifiques et vous pouvez également jouir d'autres droits qui peuvent varier d'une juridiction à l'autre.

EXONÉRATION DE RESPONSABILITÉ DANS LES DOMAINES NON COUVERTS PAR LA GARANTIE

Jenn-Air décline toute responsabilité au titre de la qualité, de la durabilité ou en cas de dépannage ou de réparation nécessaire sur ce gros appareil ménager autre que les responsabilités énoncées dans la présente garantie. Si vous souhaitez une garantie plus étendue ou plus complète que la garantie limitée fournie avec ce gros appareil ménager, adressez-vous à Jenn-Air ou à votre détaillant pour obtenir les modalités d'achat d'une garantie étendue.

LIMITATION DES RECOURS; EXCLUSION DES DOMMAGES FORTUITS OU INDIRECTS

LE SEUL ET EXCLUSIF RECOURS DU CLIENT DANS LE CADRE DE LA PRÉSENTE GARANTIE LIMITÉE CONSISTE EN LA RÉPARATION PRÉVUE PAR LA PRÉSENTE. JENN-AIR N'ASSUME AUCUNE RESPONSABILITÉ POUR LES DOMMAGES FORTUITS OU INDIRECTS. Certains États et certaines provinces ne permettent pas l'exclusion ou la limitation des dommages fortuits ou indirects de sorte que ces limitations et exclusions peuvent ne pas être applicables dans votre cas. Cette garantie vous confère des droits juridiques spécifiques et vous pouvez également jouir d'autres droits qui peuvent varier d'une juridiction à l'autre.

Notes

