

24", 30", AND 36" (61 CM, 76.2 CM, AND 91.4 CM)
TOUCH CONTROL AND KNOB CONTROL
RADIANT COOKTOP

TABLE DE CUISSON RADIANTE À COMMANDES
TACTILES ET BOUTONS ROTATIFS DE 24 PO,
30 PO ET 36 PO (61 CM, 76,2 CM ET 91,4 CM)

Use & Care Guide

For questions about features, operation/performance, parts, accessories, or service in the U.S.A., call:
1-800-JENNAIR (1-800-536-6247) or visit our website at www.jennair.com.
In Canada, call: **1-800-JENNAIR (1-800-536-6247)** or visit our website at www.jennair.ca.

Guide d'utilisation et d'entretien

Pour des questions à propos des caractéristiques, du fonctionnement/rendement, des pièces, accessoires ou dépannage, composer le :
1 800 JENNAIR (1 800 536-6247) ou visiter notre site Web au www.jennair.com.
Au Canada, composer le : **1 800 JENNAIR (1 800 536-6247)** ou visiter notre site Web au www.jennair.ca.



TABLE OF CONTENTS

COOKTOP SAFETY	2
PARTS AND FEATURES – ELECTRONIC TOUCH CONTROLS	4
COOKTOP CONTROLS – ELECTRONIC TOUCH CONTROLS	5
Cooktop Controls.....	5
Dual/Triple Element.....	6
Control Lock.....	6
PARTS AND FEATURES – KNOB CONTROLS	7
COOKTOP CONTROLS – KNOB CONTROLS	8
Cooktop Controls.....	8
Dual/Triple Circuit Element.....	8
COOKTOP USE	9
Home Canning.....	9
Cookware.....	9
Ceramic Glass.....	10
COOKTOP CARE	11
General Cleaning.....	11
TROUBLESHOOTING	12
ASSISTANCE OR SERVICE	13
In the U.S.A.	13
In Canada.....	13
Accessories.....	13

TABLE DES MATIÈRES

SÉCURITÉ DE LA TABLE DE CUISSON	14
PIÈCES ET CARACTÉRISTIQUES – COMMANDES ÉLECTRONIQUES TACTILES	16
COMMANDES DE LA TABLE DE CUISSON – COMMANDES ÉLECTRONIQUES TACTILES	17
Commandes de la table de cuisson.....	17
Éléments double/triple.....	18
Verrouillage des commandes.....	18
PIÈCES ET CARACTÉRISTIQUES – COMMANDES À BOUTON ROTATIF	19
COMMANDES DE LA TABLE DE CUISSON – COMMANDES À BOUTONS ROTATIFS	20
Commandes de la table de cuisson.....	20
Élément à double/triple circuit.....	20
UTILISATION DE LA TABLE DE CUISSON	21
Préparation de conserves à la maison.....	21
Ustensile de cuisson.....	21
Vitrocéramique.....	22
ENTRETIEN DE LA TABLE DE CUISSON	23
Nettoyage général.....	23
DÉPANNAGE	24
ASSISTANCE OU DÉPANNAGE	25
Aux É.-U.	25
Au Canada.....	25
Accessoires.....	25

COOKTOP SAFETY

Your safety and the safety of others are very important.

We have provided many important safety messages in this manual and on your appliance. Always read and obey all safety messages.



This is the safety alert symbol.

This symbol alerts you to potential hazards that can kill or hurt you and others.

All safety messages will follow the safety alert symbol and either the word “DANGER” or “WARNING.”

These words mean:

⚠ DANGER

You can be killed or seriously injured if you don't immediately follow instructions.

⚠ WARNING

You can be killed or seriously injured if you don't follow instructions.

All safety messages will tell you what the potential hazard is, tell you how to reduce the chance of injury, and tell you what can happen if the instructions are not followed.

State of California Proposition 65 Warnings:

WARNING: This product contains one or more chemicals known to the State of California to cause cancer.

WARNING: This product contains one or more chemicals known to the State of California to cause birth defects or other reproductive harm.

IMPORTANT SAFETY INSTRUCTIONS

WARNING: To reduce the risk of fire, electrical shock, injury to persons, or damage when using the cooktop, follow basic precautions, including the following:

- **CAUTION:** Do not store items of interest to children in cabinets above a cooktop – Children climbing on the cooktop to reach items could be seriously injured.
- Proper Installation – Be sure your cooktop is properly installed and grounded by a qualified technician.
- Never Use Your Cooktop for Warming or Heating the Room.
- Do Not Leave Children Alone – Children should not be left alone or unattended in area where cooktop is in use. They should never be allowed to sit or stand on any part of the cooktop.
- Wear Proper Apparel – Loose-fitting or hanging garments should never be worn while using the cooktop.
- User Servicing – Do not repair or replace any part of the cooktop unless specifically recommended in the manual. All other servicing should be referred to a qualified technician.
- Storage on Cooktop – Flammable materials should not be stored near surface units.
- Do Not Use Water on Grease Fires – Smother fire or flame or use dry chemical or foam-type extinguisher.
- Use Only Dry Potholders – Moist or damp potholders on hot surfaces may result in burns from steam. Do not let potholder touch hot heating elements. Do not use a towel or other bulky cloth.
- DO NOT TOUCH SURFACE UNITS OR AREAS NEAR UNITS – Surface units may be hot even though they are dark in color. Areas near surface units may become hot enough to cause burns. During and after use, do not touch, or let clothing or other flammable materials contact surface units or areas near units until they have had sufficient time to cool. Among those areas are the cooktop and surfaces facing the cooktop.
- Use Proper Pan Size – This cooktop is equipped with one or more surface units of different size. Select utensils having flat bottoms large enough to cover the surface unit heating element. The use of undersized utensils will expose a portion of the heating element to direct contact and may result in ignition of clothing. Proper relationship of utensil to burner will also improve efficiency.

- Never Leave Surface Units Unattended at High Heat Settings – Boilover causes smoking and greasy spillovers that may ignite.
- Glazed Cooking Utensils – Only certain types of glass, glass/ceramic, ceramic, earthenware, or other glazed utensils are suitable for cooktop service without breaking due to the sudden change in temperature.
- Utensil Handles Should Be Turned Inward and Not Extend Over Adjacent Surface Units – To reduce the risk of burns, ignition of flammable materials, and spillage due to unintentional contact with the utensil, the handle of a utensil should be positioned so that it is turned inward, and does not extend over adjacent surface units.
- Do Not Cook on Broken Cooktop – If cooktop should break, cleaning solutions and spillovers may penetrate the broken cooktop and create a risk of electric shock. Contact a qualified technician immediately.
- Clean Cooktop With Caution – If a wet sponge or cloth is used to wipe spills on a hot cooking area, be careful to avoid steam burn. Some cleaners can produce noxious fumes if applied to a hot surface.

For units with ventilating hood –

- Clean Ventilating Hoods Frequently – Grease should not be allowed to accumulate on hood or filter.
- When flaming foods under the hood, turn the fan on.

For units with coil elements –

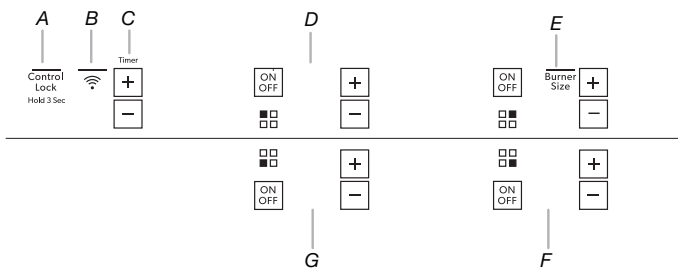
- Make Sure Reflector Pans or Drip Bowls Are in Place – Absence of these pans or bowls during cooking may subject wiring or components underneath to damage.
- Protective Liners – Do not use aluminum foil to line surface unit drip bowls, except as suggested in the manual. Improper installation of these liners may result in a risk of electric shock, or fire.
- Do Not Soak Removable Heating Elements - Heating elements should never be immersed in water.

SAVE THESE INSTRUCTIONS

PARTS AND FEATURES – ELECTRONIC TOUCH CONTROLS

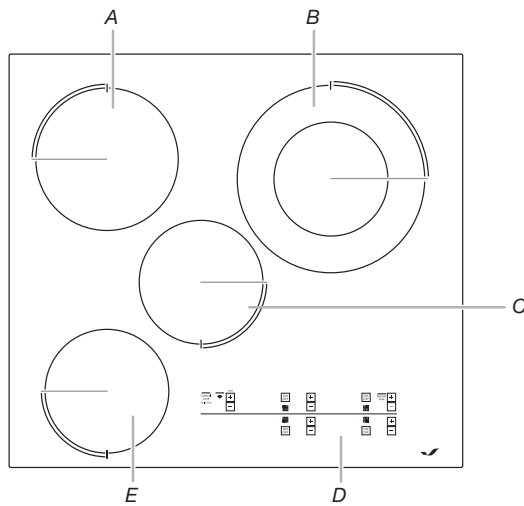
This manual covers different models. The cooktop you have purchased may have some or all of the items listed.

24" (61 cm) Control Panel



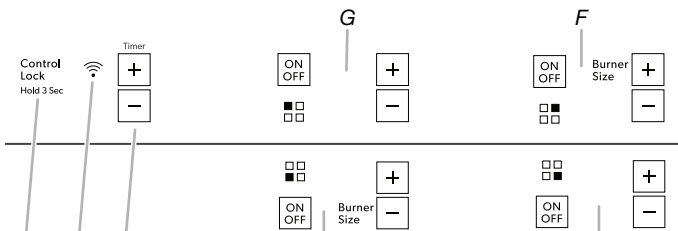
- A. Control lock Hold 3 sec
- B. Wifi indicator light
- C. Timer electronic touch control
- D. Left rear single element electronic touch control
- E. Right rear dual element electronic touch control
- F. Right front single element electronic touch control
- G. Left front single element electronic touch control

24" (61 cm) Cooktop



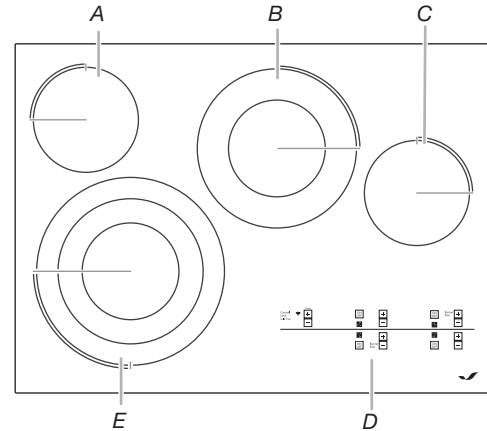
- A. 6" (15.2 cm) single element
- B. 10"/6" (25.4 cm/15.2 cm) dual element
- C. 6" (15.2 cm) single element
- D. Control panel
- E. 6" (15.2 cm) single element

30" (76.2 cm) Control Panel



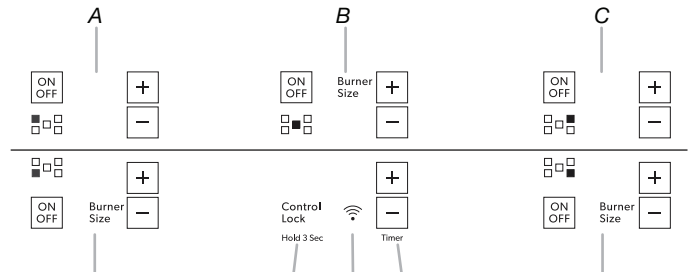
- A. Control lock Hold 3 sec
- B. Wifi electronic touch control
- C. Timer electronic touch control
- D. Triple element electronic touch control
- E. Right front single element electronic touch control
- F. Dual element electronic touch control
- G. Left rear single element electronic touch control

30" (76.2 cm) Cooktop



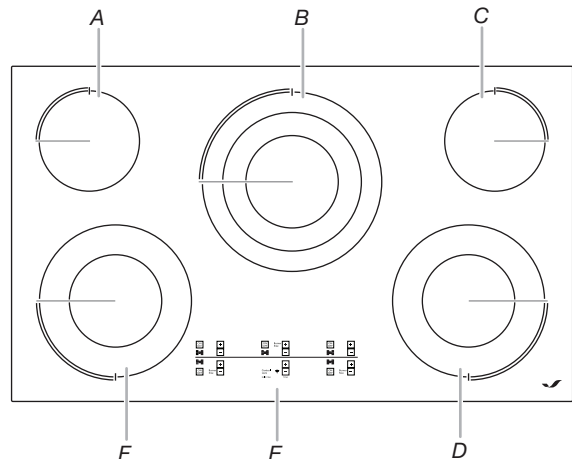
- A. 6" (15.2 cm) single element
- B. 10"/6" (25.4 cm/15.2 cm) dual element
- C. 6" (15.2 cm) single element
- D. Control panel
- E. 12"/10"/6" (30.4 cm)/25.4 cm/15.2 cm) triple element

36" (91.4 cm) Control Panel



- A. Left rear single element electronic touch control
- B. Center triple element electronic touch control
- C. Right rear single element electronic touch control
- D. Right front dual element electronic touch control
- E. Timer electronic touch control
- F. Wifi electronic touch control
- G. Control lock Hold 3 sec
- H. Left front dual element electronic touch control

36" (91.4 cm) Cooktop



- A. 6" (15.2 cm) single element
- B. 12"/10"/6" (30.4 cm)/25.4 cm/15.2 cm) triple element
- C. 6" (15.2 cm) single element
- D. 10"/6" (25.4 cm/15.2 cm) dual element
- E. Control panel
- F. 10"/6" (25.4 cm/15.2 cm) dual element

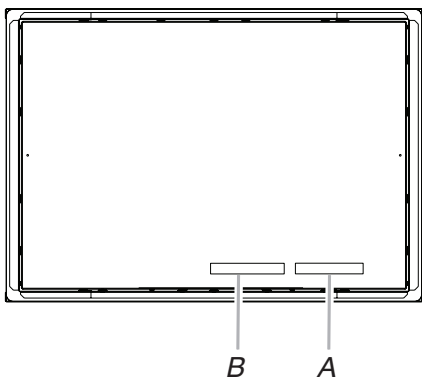
COOKTOP CONTROLS – ELECTRONIC TOUCH CONTROLS

Cooktop Controls

Wi-Fi Connectivity

- **Connect to Network:** Download the Whirlpool app from the app store on your mobile phone. See the Connectivity Setup sheet for more detailed instructions.
- **SAID Code:** The SAID code is used to sync a smart device with your appliance.

The SAID code plate is located on the metal cabinet underneath the cooktop. See the following illustration.



A. Model/serial number plate
B. SAID code for Wi-Fi connection

- **MAC Address:** MAC Address is displayed for the Wi-Fi module.
- **Wi-Fi Radio:** Turn Wi-Fi on or off.

3. To change the power level while cooking, select a power level with the “+” (plus) or “-” (minus) keypad.
4. When finished cooking, touch ON/OFF for the desired element to turn off surface cooking area(s) individually or touch the Off keypad to turn off all surface cooking areas at once.

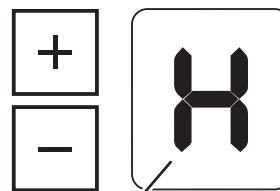
Use the following chart as a guide when setting heat levels.

Setting	Recommended Use
High 20 BOIL	<ul style="list-style-type: none"> ■ Start food cooking. ■ Bring liquid to a boil.
Medium High 17-19	<ul style="list-style-type: none"> ■ Hold a rapid boil. ■ Quickly brown or sear food.
Medium 10-16	<ul style="list-style-type: none"> ■ Maintain a slow boil. ■ Fry or sauté foods.
Medium Low 04-09	<ul style="list-style-type: none"> ■ Cook soups, sauces, and gravies. ■ Stew or steam food.
Low 03 SIMMER	<ul style="list-style-type: none"> ■ Provide lowest simmer/heat setting. ■ Simmer (range of simmer temperatures).
Keep Warm 02 K. WARM	<ul style="list-style-type: none"> ■ Keep cooked foods warm.
Melt 01 MELT	<ul style="list-style-type: none"> ■ Melt chocolate and butter.
Dual/Triple Elements	<ul style="list-style-type: none"> ■ Home canning ■ Large-diameter cookware ■ Large quantities of food

REMEMBER: When cooktop is in use, the entire cooktop area may become hot.

Hot Surface Indicator Lights

An “H” will appear in the surface cooking area display as long as any surface cooking area is too hot to touch, even after the surface cooking area(s) is turned off.



A. Hot surface indicator

The electronic touch controls offer a variety of heat settings for optimal cooking results.

For maximum element operation, all cooktop electronic touch controls can be set to High when bringing liquids to a rapid boil.

When the cooktop is turned on or after power is restored to the cooktop after a power failure, all temperature setting lights will glow for 10-15 seconds. After the lights go off, the cooktop is ready to use.

To Use:

1. Touch the On/Off keypad for the desired element.
2. Touch the “+” (plus) or “-” (minus) keypad to select the power level.

NOTE: Press and hold the “+” (plus) or “-” (minus) keypad for a few seconds to quickly scroll through the power level. If a power level is not selected within approximately 10 seconds, the element will not turn on.

Cooktop On Indicator Light

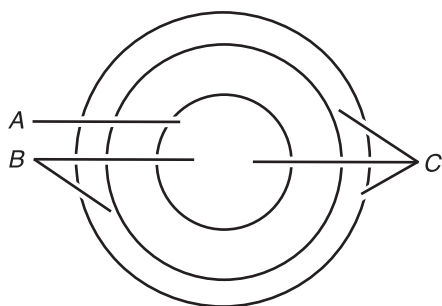
The cooktop has a Cooktop ON indicator light. The light will glow when any of the elements are ON.

The element display will show the current power level when that element is On and a power level is selected.

Dual/Triple Element

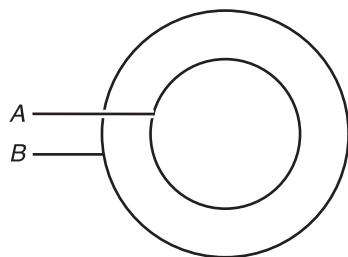
The dual and triple elements offer flexibility depending on the size of the cookware. Single size can be used in the same way as a regular element. The dual and triple sizes combine single, dual, and outer elements and are recommended for larger cookware, large quantities of food, and home canning.

Triple Element (on some models)



- A. Single size
- B. Dual size
- C. Triple size

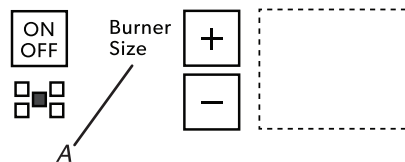
Dual Element



- A. Single element
- B. Dual element

To Use Dual and Triple:

1. When the On/Off keypad is touched, all heating zones for the selected element will be active. To reduce the number of heating zones being used, touch BURNER SIZE. One, two, or three lights will glow to indicate the number of burner zones being used. One of the lights will blink.



A. Burner size

2. Touch the "+" (plus) or "-" (minus) keypad to select the power level. A tone will sound each time a keypad is touched.
NOTE: Press and hold the "+" (plus) or "-" (minus) keypad for a few seconds to quickly scroll through the power level. If a power level is not selected within approximately 10 seconds, the element will not turn on.
3. To change the power level while cooking, touch the "+" (plus) or "-" (minus) keypad to select a new power level.
NOTE: If the power level is at the minimum power setting, press "-" minus to jump to the maximum setting.
4. To change the heating zones being used while cooking, touch BURNER SIZE.
5. When finished cooking, touch ON/OFF for the desired element to turn off the surface cooking area.

Control Lock

The Control Lock cooktop control avoids unintended use of the surface cooking areas. When the cooktop is locked out, the surface cooking areas cannot be turned on by the cooktop touch controls.

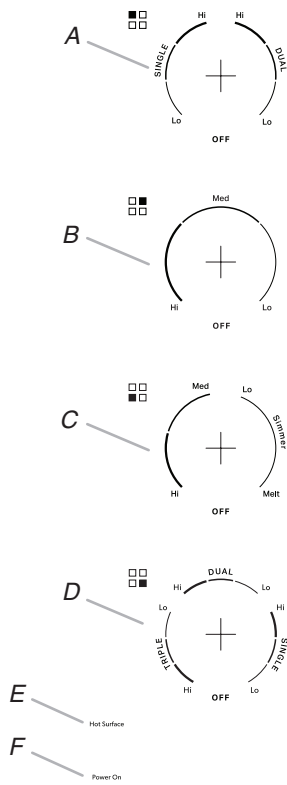
To Lock Cooktop: Touch and hold the Control Lock Hold 3 Sec keypad for 3 seconds. After 3 seconds, Control Lock Hold 3 Sec will glow red, indicating that the cooktop controls are in the lockout position.

To Unlock Cooktop: Touch and hold the Control Lock Hold 3 Sec keypad for 3 seconds.

PARTS AND FEATURES – KNOB CONTROLS

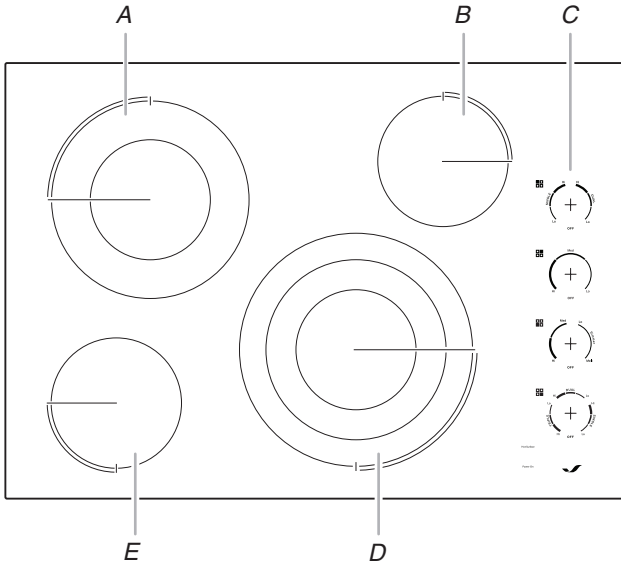
This manual covers different models. The cooktop you have purchased may have some or all of the items listed.

24" and 30" (61 cm and 76.2 cm) Control Panel



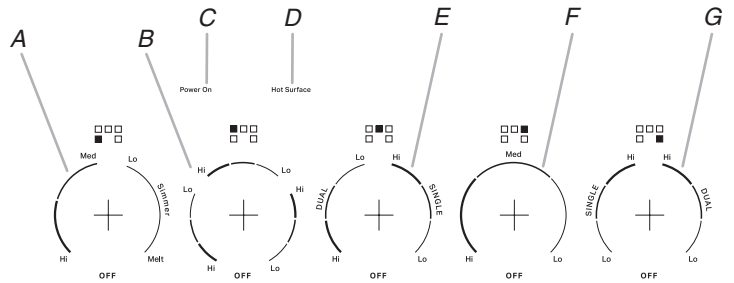
- A. Left rear dual element control knob
- B. Right rear single element control knob
- C. Left front single element control knob
- D. Right front triple element control knob
- E. Hot surface indicator light
- F. Cooktop On indicator light

24" and 30" (61 cm and 76.2 cm) Cooktop



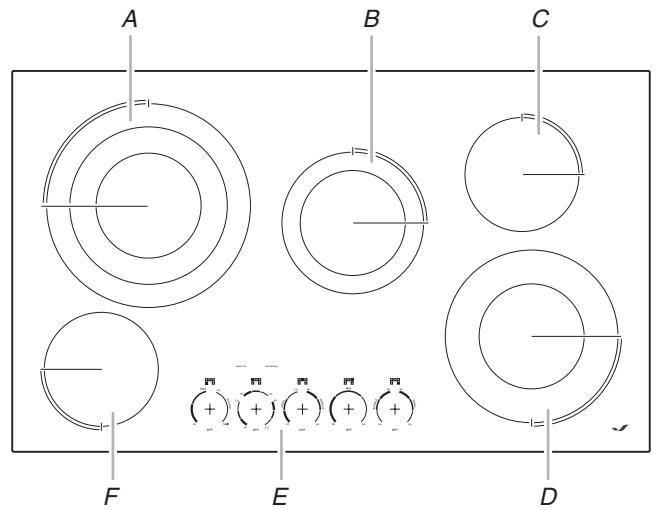
- A. Left rear dual element
- B. Right rear single element
- C. Control Panel
- D. Right front triple element
- E. Left front single element

36" (91.4 cm) Control Panel



- A. Left front single element control knob
- B. Left rear triple element control knob
- C. Cooktop On indicator light
- D. Hot surface indicator light
- E. Center rear dual element control knob
- F. Right rear single element control knob
- G. Right front dual element control knob

36" (91.4 cm) Cooktop



- A. Left rear triple element
- B. Center rear dual element
- C. Right rear single element
- D. Right front dual element
- E. Control panel
- F. Left front single element

COOKTOP CONTROLS – KNOB CONTROLS

Cooktop Controls

⚠ WARNING



Fire Hazard

Turn off all controls when done cooking.

Failure to do so can result in death or fire.

The controls can be set to anywhere between Hi (high) and Lo (low).

To Use:

Push in and turn knob to desired heat setting.

Use the following chart as a guide when setting heat levels.

Setting	Recommended Use
Hi High	<ul style="list-style-type: none"> ■ Bring liquid to a boil.
Med High Medium High	<ul style="list-style-type: none"> ■ Hold a rapid boil. ■ Quickly brown or sear food.
Med Medium	<ul style="list-style-type: none"> ■ Maintain a slow boil. ■ Fry or sauté foods. ■ Cook soups, sauces, and gravies.
Med Low Medium Low	<ul style="list-style-type: none"> ■ Stew or steam food. ■ Simmer.
Lo Low	<ul style="list-style-type: none"> ■ Keep cooked foods warm.
Dual/Triple Circuit Elements	<ul style="list-style-type: none"> ■ Home canning ■ Large-diameter cookware ■ Large quantities of food
Melt	<ul style="list-style-type: none"> ■ Melt chocolate or butter.

REMEMBER: When cooktop is in use, the entire cooktop area may become hot.

Hot Surface Indicator Light

This unit features a Hot Surface indicator light. The Hot Surface indicator light will glow as long as any surface cooking area is too hot to touch, even after the surface cooking area(s) is turned off.

If the cooktop is ON when a power failure occurs, the Hot Surface indicator light will remain ON after the power is restored to the cooktop. It will remain ON until the cooktop has cooled completely.

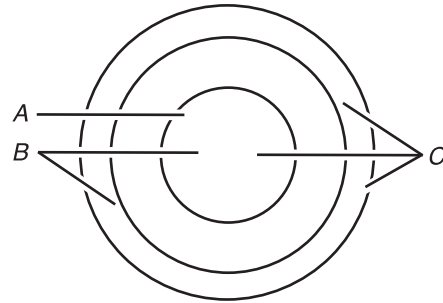
Cooktop On Indicator Light

Each cooktop has a Cooktop On Indicator light. When the control knob is ON, the light will glow.

Dual/Triple Circuit Element

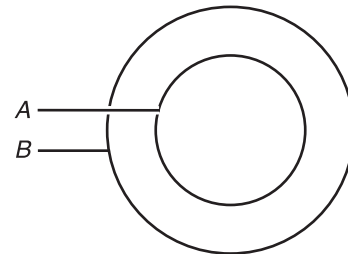
The dual-size and triple-size elements offer flexibility depending on the size of the cookware. Single size can be used in the same way as a regular element. The dual and triple sizes combine single, dual, and outer elements and are recommended for larger cookware, large quantities of food, and home canning.

Triple Element (on some models)



A. Single size
B. Dual size
C. Triple size

Dual Element



A. Single element
B. Dual element

To Use Single:

1. Push in and turn knob from the Off position to the Single zone anywhere between Melt and Hi.
2. Turn knob to OFF when finished.

To Use Dual and Triple:

1. Push in and turn knob from the Off position to the Dual or Triple zone anywhere between Melt and Hi.
2. Turn knob to OFF when finished.

COOKTOP USE

Home Canning

When canning for long periods, alternate the use of surface cooking areas, elements, or surface burners between batches. This allows time for the most recently used areas to cool.

- Center the canner on the grate or largest surface cooking area or element. On electric cooktops, canners should not extend more than 1/2" (1.3 cm) beyond the surface cooking area or element.
 - Do not place canner on 2 surface cooking areas, elements, or surface burners at the same time.
 - Use only flat-bottomed canners.
 - For more information, contact your local agricultural department. Companies that manufacture home canning products can also offer assistance.
-

Cookware

IMPORTANT: Do not leave empty cookware on a hot surface cooking area, element, or surface burner.

Ideal cookware should have a flat bottom, straight sides, and a well-fitting lid and the material should be of medium-to-heavy thickness.

Rough finishes may scratch the cooktop. Aluminum and copper may be used as a core or base in cookware. However, when used as a base, they can leave permanent marks on the cooktop or grates.

Cookware material is a factor in how quickly and evenly heat is transferred which affects cooking results. A nonstick finish has the same characteristics as its base material. For example, aluminum cookware with a nonstick finish will take on the properties of aluminum.

Use the following chart as a guide for cookware material characteristics.

Cookware	Characteristics
Aluminum	<ul style="list-style-type: none">■ Heats quickly and evenly.■ Suitable for all types of cooking■ Medium or heavy thickness is best for most cooking tasks.
Cast iron	<ul style="list-style-type: none">■ Heats slowly and evenly.■ Good for browning and frying■ Maintains heat for slow cooking.
Ceramic or ceramic glass	<ul style="list-style-type: none">■ Follow manufacturer's instructions.■ Heats slowly but unevenly.■ Ideal results on low-to-medium heat settings
Copper	<ul style="list-style-type: none">■ Heats very quickly and evenly.
Earthenware	<ul style="list-style-type: none">■ Follow manufacturer's instructions.■ Use on low heat settings.
Porcelain enamel-on-steel or cast iron	<ul style="list-style-type: none">■ See stainless steel or cast iron.
Stainless steel	<ul style="list-style-type: none">■ Heats quickly but unevenly.■ A core or base of aluminum or copper on stainless steel provides even heating.

Ceramic Glass

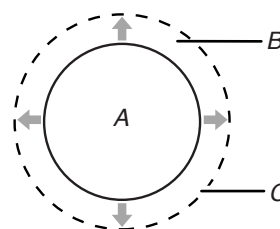
The surface cooking area will glow red when an element is ON. Some parts of the surface cooking area may not glow red when an element is ON. This is normal operation. The burner will cycle on and off to maintain the selected heat level. It will also randomly cycle off and back on again, even while on High, to keep the cooktop from extreme temperatures.

It is normal for the surface of light-colored ceramic glass to appear to change color when surface cooking areas are hot. As the glass cools, it will return to its original color.

Cleaning off the cooktop before and after each use will help keep it free from stains and provide the most even heating. On cooktops with light-colored ceramic glass, soils and stains may be more visible and may require more cleaning and attention. Cooktop cleaner and a cooktop scraper are recommended. For more information, see the "General Cleaning" section.

- Avoid storing jars or cans above the cooktop. Dropping a heavy or hard object onto the cooktop could crack the cooktop.
- To avoid damage to the cooktop, do not leave a hot lid on the cooktop. As the cooktop cools, air can become trapped between the lid and the cooktop, and the ceramic glass could break when the lid is removed.
- For foods containing sugar in any form, clean up all spills and soils as soon as possible. Allow the cooktop to cool down slightly. Then, while wearing oven mitts, remove the spills using a scraper while the surface is still warm. If sugary spills are allowed to cool down, they can adhere to the cooktop and can cause pitting and permanent marks.
- To avoid scratches, do not slide cookware or bakeware across the cooktop. Aluminum or copper bottoms and rough finishes on cookware or bakeware could leave scratches or marks on the cooktop. Do not cook popcorn in prepackaged aluminum containers on the cooktop. They could leave aluminum marks that cannot be removed completely.
- To avoid damage to the cooktop, do not allow objects that could melt, such as plastic or aluminum foil, to touch any part of the entire cooktop.
- To avoid damage to the cooktop, do not use the cooktop as a cutting board.

- Use cookware that is about the same size as the surface cooking area. Cookware should not extend more than 1/2" (1.3 cm) outside the area.



A. Surface cooking area
B. Cookware/canner
C. 1/2" (1.3 cm) maximum overhang

- Use flat-bottomed cookware for best heat conduction and energy efficiency. Cookware with rounded, warped, ribbed, or dented bottoms could cause uneven heating and poor cooking results.
- Determine flatness by placing the straight edge of a ruler across the bottom of the cookware. While you rotate the ruler, no space or light should be visible between it and the cookware.
- Cookware designed with slightly indented bottoms or small expansion channels can be used.
- Make sure the bottoms of pots and pans are clean and dry before using them. Residue and water can leave deposits when heated.
- To avoid damage to the cooktop, do not cook foods directly on the cooktop.

COOKTOP CARE

General Cleaning

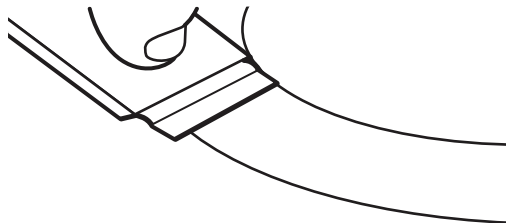
IMPORTANT: Before cleaning, make sure all controls are off and the cooktop is cool. Always follow label instructions on cleaning products.

Soap, water, and a soft cloth or sponge are suggested first unless otherwise noted.

CERAMIC GLASS (on some models)

To avoid damaging the cooktop, do not use steel wool, abrasive powder cleansers, chlorine bleach, rust remover, or ammonia.

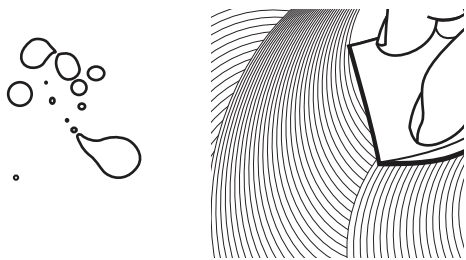
1. Remove food/residue with the Cooktop Scraper.



- For best results, use the Cooktop Scraper while the cooktop is still warm but not hot to the touch. It is recommended to wear an oven mitt while scraping the warm cooktop.
- Hold the Cooktop Scraper at approximately a 45° angle against the glass surface and scrape the residue. It will be necessary to apply pressure in order to remove the residue.

Allow the cooktop to cool down completely before proceeding to Step 2.

2. Apply a few dime-sized drops of affresh® Cooktop Cleaner to the affected areas.



- Rub affresh® Cooktop Cleaner onto the cooktop surface with the blue Cooktop Cleaning Pad. Some pressure is needed to remove stubborn stains.
 - Allow the cleaner to dry to a white haze before proceeding to Step 3.
3. Polish with a clean, dry cloth or a clean, dry paper towel.



- Repeat steps 1 through 3 as necessary for stubborn or burned-on stains.

The Complete Cooktop Cleaner Kit is available for order and includes the following:

- Cooktop Scraper
- Affresh® Cooktop Cleaner
- Blue Cooktop Cleaning Pads

See the “Accessories” section for part numbers and information on ordering.

STAINLESS STEEL (on some models)

To avoid damage to stainless steel surfaces, do not use soap-filled scouring pads, abrasive cleaners, cooktop cleaner, steelwool pads, gritty washcloths, or abrasive paper towels.

For best results, use a soft cloth or non-scratch sponge.

Rub in direction of grain to avoid damaging.

Cleaning Method:

- Affresh® Stainless Steel Cleaner Part Number W10355016 (not included):
See the “Assistance or Service” section to order.
- All-purpose cleaner:
Rinse with clean water and dry with soft, lint-free cloth.
- Vinegar for hard water spots

COOKTOP CONTROLS

To avoid damage to the cooktop controls, do not use steel wool, abrasive cleansers, or oven cleaner.

To avoid damage, do not soak knobs.

When replacing knobs, make sure knobs are in the Off position.

On some models, do not remove seals under knobs.

Cleaning Method:

- Soap and water:
Pull knobs straight away from control panel to remove.
- Do not place knobs in dishwasher.

CONTROL PANEL

To avoid damage to the control panel, do not use abrasive cleaners, steel-wool pads, gritty washcloths, or abrasive paper towels.

Cleaning Method:

- Glass cleaner and soft cloth or sponge:
Apply glass cleaner to soft cloth or sponge, not directly on panel.
- Affresh® Kitchen and Appliance Cleaner Part Number W10355010 (not included):
See the “Assistance or Service” section to order.

TROUBLESHOOTING

First try the solutions suggested here. If you need further assistance or more recommendations that may help you avoid a service call, visit <https://jennair.custhelp.com>. In Canada, visit <http://www.jennair.ca>.

Contact us by mail with any questions or concerns at the address below.

In the U.S.A.:

JennAir Brand Home Appliances
Customer eXperience Center
553 Benson Road
Benton Harbor, MI 49022-2692

In Canada:

JennAir Brand Home Appliances
Customer eXperience Centre
200 - 6750 Century Ave.
Mississauga, Ontario L5N 0B7

Please include a daytime phone number in your correspondence.

Problem	Possible Causes and/or Solutions
Nothing will operate	A household fuse has blown or a circuit breaker has tripped: Replace the fuse or reset the circuit breaker. If the problem continues, call an electrician. Cooktop isn't wired properly: See the Installation Instructions.
Cooktop will not operate	Control knob set incorrectly: Push in knob before turning to a setting. One or more burners stopped working during use: Allow the cooktop to cool down for 30 minutes, then turn the burner on again. Control Lock is not set: Press and hold "Control Lock" for 3 seconds
Excessive heat around cookware on cooktop	Cookware is not the proper size: Use cookware about the same size as the surface cooking area, element, or surface burner. Cookware should not extend more than ½" (1.3 cm) outside the cooking area. Cooktop surfaces become hot: When cooktop is in use, the entire cooktop area may become hot.
Cooktop cooking results not what expected	Proper cookware is not being used: See the "Cookware" section. Control knob is not set to the proper heat level: See the "Cooktop Controls" section. Cooktop is not level: Level the cooktop. See the Installation Instructions. Certain power levels seem to take longer to cook food or some power levels do not perform as well as usual: The cooktop regulates the temperature of the internal components and automatically reduces the power of all the elements in use without any visual or audible feedback. Allow the cooktop to cool down for 30 minutes to resume normal cooking performance. See "To Use" in the "Cooktop Controls" section.
Cooktop is beeping	Key is pressed and held: Remove any objects left on the control area, or wipe any debris from the control panel surface. If the cooktop continues beeping for longer than 15 minutes, the control panel will lock, and the F1E0 code will appear in the display. See "Cooktop is displaying F1E0 code" in this section.
Cooktop is displaying F1E0 code	Cooktop is displaying F1E0, indicating that one or more keys are permanently pressed: Follow the steps below. <ol style="list-style-type: none">1. Make sure the cooktop controls are off.2. Clean the cooktop touch control panel thoroughly. See the "General Cleaning" section.3. Disconnect power or unplug the cooktop.4. After 1 minute, reconnect power or plug in the cooktop.5. If error returns after 1 minute, call for service.

ASSISTANCE OR SERVICE

If you need service

Please refer to the warranty page in this manual.

If you need replacement parts

If you need to order replacement parts, we recommend that you use only factory specified parts. These factory specified parts will fit right and work right because they are made with the same precision used to build every new JennAir® appliance.

To locate factory specified parts in your area, call us or your nearest JennAir designated service center.

In the U.S.A.

Call the Customer eXperience Center toll-free: **1-800-JENNAIR (1-800-536-6247)**

Our consultants provide assistance with:

- Features and specifications on our full line of appliances.
- Installation information.
- Use and maintenance procedures.
- Repair parts sales.
- Specialized customer assistance (Spanish speaking, hearing impaired, limited vision, etc.).
- Referrals to local dealers, repair parts distributors, and service companies. JennAir designated service technicians are trained to fulfill the product warranty and provide after-warranty service anywhere in the United States.

To locate the JennAir designated service company in your area, you can also look in your telephone directory Yellow Pages.

For further assistance

If you need further assistance, you can write with any questions or concerns at:

JennAir Brand Home Appliances
Customer eXperience Center
553 Benson Road
Benton Harbor, MI 49022-2692

Please include a daytime phone number in your correspondence.

In Canada

Call the Whirlpool Canada LP Customer eXperience Centre toll-free: **1-800-JENNAIR (1-800-536-6247)**

Our consultants provide assistance with:

- Use and maintenance procedures.
- Repair parts sales.
- Referrals to local dealers, repair parts distributors, and service companies. JennAir designated service technicians are trained to fulfill the product warranty and provide after-warranty service anywhere in Canada.

For further assistance

If you need further assistance, you can write with any questions or concerns at:

JennAir Brand Home Appliances
Customer eXperience Centre
200 - 6750 Century Ave.
Mississauga, ON L5N 0B7

Please include a daytime phone number in your correspondence.

Accessories

To order accessories, visit our website at www.jennair.com.

Affresh® Stainless Steel Cleaner

(stainless steel models)
Order Part Number W10355016

Affresh® Kitchen and Appliance Cleaner

Order Part Number W10355010

SÉCURITÉ DE LA TABLE DE CUISSON

Votre sécurité et celle des autres est très importante.

Nous donnons de nombreux messages de sécurité importants dans ce manuel et sur votre appareil ménager. Assurez-vous de toujours lire tous les messages de sécurité et de vous y conformer.



Voici le symbole d'alerte de sécurité.

Ce symbole d'alerte de sécurité vous signale les dangers potentiels de décès et de blessures graves à vous et à d'autres.

Tous les messages de sécurité suivront le symbole d'alerte de sécurité et le mot "DANGER" ou "AVERTISSEMENT". Ces mots signifient :

! DANGER

Risque possible de décès ou de blessure grave si vous ne suivez pas immédiatement les instructions.

! AVERTISSEMENT

Risque possible de décès ou de blessure grave si vous ne suivez pas les instructions.

Tous les messages de sécurité vous diront quel est le danger potentiel et vous disent comment réduire le risque de blessure et ce qui peut se produire en cas de non-respect des instructions.

Avertissements de la proposition 65 de l'État de Californie :

AVERTISSEMENT : Ce produit contient au moins un produit chimique connu par l'État de Californie pour être à l'origine de cancers.

AVERTISSEMENT : Ce produit contient au moins un produit chimique connu par l'État de Californie pour être à l'origine de malformations et autres déficiences de naissance.

IMPORTANTES INSTRUCTIONS DE SÉCURITÉ

AVERTISSEMENT : Pour réduire le risque d'incendie, de choc électrique, de blessures ou de dommages lors de l'utilisation de la table de cuisson, observer les précautions élémentaires suivantes, y compris ce qui suit :

- **MISE EN GARDE :** Ne pas remiser dans les armoires au-dessus d'une table de cuisson, des articles que des enfants pourraient vouloir atteindre. Les enfants pourraient se brûler ou se blesser en grimpant sur la table de cuisson.
- Installation appropriée – S'assurer que la table de cuisson est correctement installée et reliée à la terre par un technicien qualifié.
- Ne jamais utiliser la table de cuisson pour réchauffer ou chauffer la pièce.
- Ne pas laisser les enfants seuls – Les enfants ne doivent pas être laissés seuls ou sans surveillance dans la pièce où la table de cuisson est en service. Ne jamais laisser les enfants s'asseoir ou se tenir sur une partie quelconque de la table de cuisson.
- Porter des vêtements appropriés – Des vêtements amples ou détachés ne doivent jamais être portés pendant l'utilisation de la table de cuisson.
- Entretien par l'utilisateur – Ne pas réparer ou remplacer toute pièce de la table de cuisson si ce n'est pas spécifiquement recommandé dans le manuel. Toute autre opération d'entretien ou de réparation doit être confiée à un technicien qualifié.
- Remisage sur la table de cuisson – Des matériaux inflammables ne doivent pas être remisés près des éléments à la surface.
- Ne pas utiliser d'eau sur un feu de graisse – Éteindre le feu ou la flamme ou utiliser un extincteur à produits chimiques secs ou à mousse.
- N'utiliser que des mitaines de four sèches – Des mitaines de four mouillées ou humides sur des surfaces chaudes peuvent provoquer des brûlures provenant de la vapeur. Ne pas laisser les mitaines de four toucher les éléments chauffants. Ne pas utiliser une serviette ou autre tissu épais.
- **NE PAS TOUCHER LES ÉLÉMENTS À LA SURFACE OU L'ESPACE PRÈS DES ÉLÉMENTS** – Les éléments de surface peuvent être chauds même lorsqu'ils ont une teinte foncée. Les endroits près des éléments à la surface peuvent devenir assez chauds pour provoquer des brûlures. Pendant et après l'utilisation, ne pas toucher les éléments chauffants et ne pas laisser les vêtements ou autres matériaux inflammables entrer en contact avec ces éléments de surface ou les endroits près des éléments, avant qu'ils soient suffisamment refroidis. Ces endroits comprennent la table de cuisson et les surfaces près de la table de la cuisson.

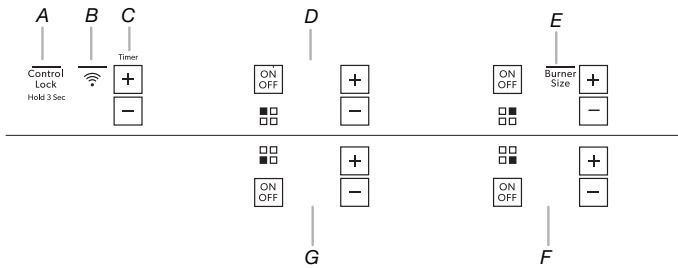
- Utiliser des ustensiles de format approprié – La table de cuisson est munie d'un ou de plusieurs éléments chauffants de différentes grandeurs. Choisir les ustensiles qui ont un fond plat assez grand pour couvrir l'élément chauffant de la surface de cuisson. L'utilisation d'ustensiles trop petits exposera une partie de l'élément chauffant, ce qui peut provoquer l'inflammation des vêtements. L'utilisation d'un récipient de format correct améliore l'efficacité de la cuisson.
 - Ne jamais laisser les éléments de la table de cuisson sans surveillance alors qu'ils chauffent à la puissance maximale – Il pourrait en résulter une ébullition qui cause de la fumée et des renversements de corps gras qui peuvent s'enflammer.
 - Ustensiles de cuisson vitrifiés – Seulement certains types d'ustensiles de verre, vitrocéramique, céramique, faïence ou autres surfaces vitrifiées conviennent pour le service sur une table de cuisson, sans bris attribuables aux changements soudains de température.
 - Les poignées des ustensiles doivent être tournées vers l'intérieur et non vers le dessus des éléments adjacents – Pour réduire les risques de brûlures, d'inflammation de produits combustibles et de renversements dus à l'entrechoquement non intentionnel des ustensiles, la poignée d'un ustensile doit être positionnée de sorte qu'elle est tournée vers l'intérieur et non au-dessus des éléments de surface adjacents.
 - Ne pas faire cuire sur une table de cuisson endommagée – Si la table de cuisson est brisée, les solutions de nettoyage et les renversements peuvent pénétrer dans la table brisée et créer le risque d'un choc électrique. Contacter immédiatement un technicien qualifié.
 - Nettoyer la table de cuisson avec prudence – Si une éponge ou un chiffon mouillé est utilisé pour essuyer les renversements sur une surface de cuisson chaude, éviter les brûlures causées par la vapeur chaude. Certains nettoyants peuvent produire des émanations désagréables lorsqu'ils sont utilisés sur une surface chaude.
- Pour les appareils avec hotte de ventilation –**
- Nettoyer les hottes de ventilation fréquemment – La graisse ne doit pas s'accumuler sur la hotte ou le filtre.
 - Lorsque vous flambez des aliments sous la hotte, mettre le ventilateur en marche.
- Pour les appareils à éléments en spirale –**
- S'assurer que les cuvettes de propreté sont en place – L'absence de ces cuvettes au cours de la cuisson peut causer des dommages aux fils ou aux composants en dessous des éléments.
 - Garnissages protecteurs – Ne pas recouvrir les cuvettes de papier d'aluminium sauf tel que suggéré dans le manuel. L'installation incorrecte de papier d'aluminium ou autre matériau peut causer un risque de choc électrique ou d'incendie.
 - Ne pas tremper les éléments de chauffage amovibles – Les éléments de chauffage ne doivent jamais être immergés dans l'eau.

CONSERVEZ CES INSTRUCTIONS

PIÈCES ET CARACTÉRISTIQUES – COMMANDES ÉLECTRONIQUES TACTILES

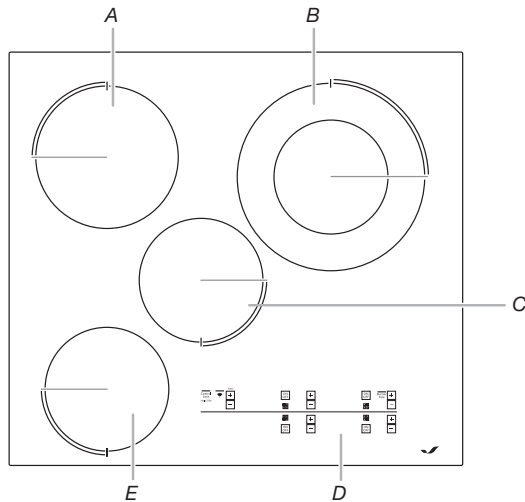
Ce manuel couvre différents modèles. La table de cuisson que vous avez achetée peut comporter tous les éléments énumérés ou seulement certains d'entre eux.

Tableau de commande de 24 po (61 cm)



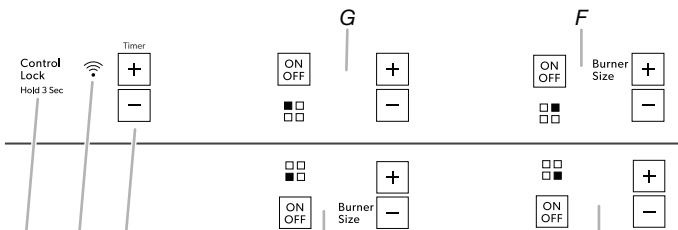
- A. Control lock Hold 3 sec (verrouillage des commandes – appuyer pendant 3 s)
- B. Témoin lumineux Wi-Fi
- C. Commande électronique tactile de minuterie
- D. Commande électronique tactile d'élément arrière gauche simple
- E. Commande électronique tactile d'élément arrière droit double
- F. Commande électronique tactile d'élément avant droit simple
- G. Commande électronique tactile d'élément avant gauche simple

Table de cuisson de 24 po (61 cm)



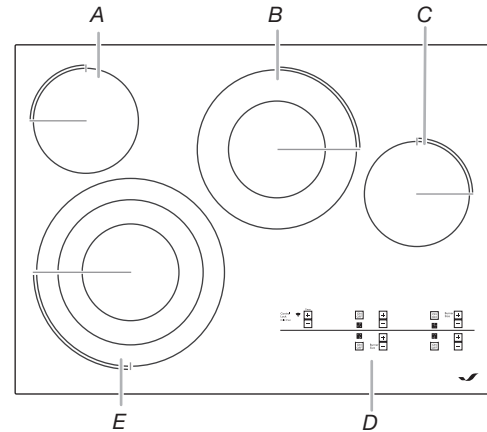
- A. Élément simple de 6 po (15,2 cm)
- B. Élément double de 10 po/6 po (25,4 cm/15,2 cm)
- C. Élément simple de 6 po (15,2 cm)
- D. Tableau de commande
- E. Élément simple de 6 po (15,2 cm)

Tableau de commande de 30 po (76,2 cm)



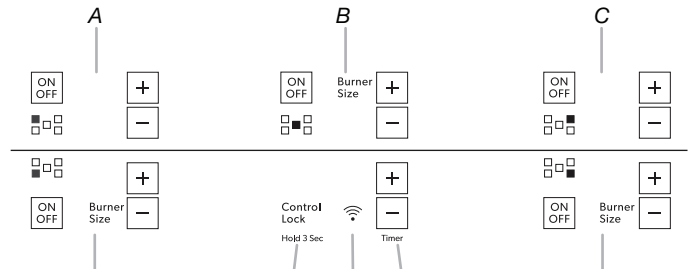
- A. Control lock Hold 3 sec (verrouillage des commandes – appuyer pendant 3 s)
- B. Commande électronique tactile Wi-Fi
- C. Commande électronique tactile de minuterie
- D. Commande électronique tactile d'élément triple
- E. Commande électronique tactile d'élément avant droit simple
- F. Commande électronique tactile d'élément double
- G. Commande électronique tactile d'élément arrière gauche simple

Table de cuisson de 30 po (76,2 cm)



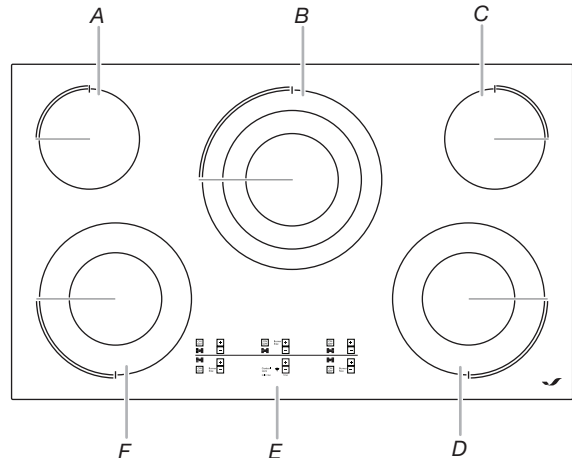
- A. Élément simple de 6 po (15,2 cm)
- B. Élément double de 10 po/6 po (25,4 cm/15,2 cm)
- C. Élément simple de 6 po (15,2 cm)
- D. Tableau de commande
- E. Élément triple de 12 po/10 po/6 po (30,4 cm/25,4 cm/15,2 cm)

Tableau de commande de 36 po (91,4 cm)



- A. Commande électronique tactile d'élément arrière gauche simple
- B. Commande électronique tactile d'élément central triple
- C. Commande électronique tactile d'élément arrière droit simple
- D. Commande électronique tactile d'élément avant droit double
- E. Commande électronique tactile de minuterie
- F. Commande électronique tactile Wi-Fi
- G. Control lock Hold 3 sec (verrouillage des commandes – appuyer pendant 3 s)
- H. Commande électronique tactile d'élément avant gauche double

Table de cuisson de 36 po (91,4 cm)



- A. Élément simple de 6 po (15,2 cm)
- B. Élément triple de 12 po/10 po/6 po (30,4 cm/25,4 cm/15,2 cm)
- C. Élément simple de 6 po (15,2 cm)
- D. Élément double de 10 po/6 po (25,4 cm/15,2 cm)
- E. Tableau de commande
- F. Élément double de 10 po/6 po (25,4 cm/15,2 cm)

COMMANDES DE LA TABLE DE CUISSON – COMMANDES ÉLECTRONIQUES TACTILES

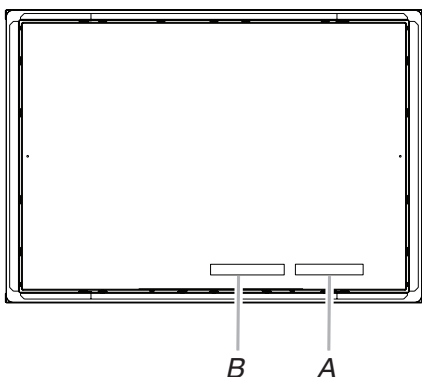
Commandes de la table de cuisson

Connexion Wi-Fi

- **Connexion au réseau :** Télécharger l'application Whirlpool® de la boutique d'applications sur votre téléphone mobile. Voir la feuille Configuration de la connectivité pour des instructions plus détaillées.

- **Code SAID :** Le code SAID s'utilise pour synchroniser un dispositif intelligent avec votre appareil.


La plaque code SAID est située sur le placard métallique, sous la table de cuisson. Voir l'illustration suivante.



A. Plaque signalétique
B. Code SAID pour la connexion Wi-Fi.

- **Adresse MAC :** L'adresse MAC est affichée pour le module Wi-Fi.

⚠ AVERTISSEMENT



Risque d'incendie

Fermer tous les réglages lorsque la cuisson est terminée.

Le non-respect de cette instruction peut causer un décès ou un incendie.

Les commandes électroniques tactiles offrent une grande variété de réglages de chaleur pour des résultats de cuisson optimaux.

Pour un fonctionnement maximal de l'élément, toutes les commandes électroniques tactiles de la table de cuisson peuvent être réglées à High (élevé) lorsqu'on porte rapidement un liquide à ébullition.

Lorsque la table de cuisson est mise en marche ou une fois le courant rétabli après une panne de courant, tous les témoins lumineux de réglage de température s'allument pendant 10 à 15 secondes. Une fois les témoins lumineux éteints, la table de cuisson est prête à l'emploi.

Utilisation :

1. Appuyer sur la touche On/Off (marche/arrêt) correspondant à l'élément souhaité.

2. Appuyer sur la touche "+" (plus) ou "-" (moins) pour sélectionner le niveau de puissance.

REMARQUE : Maintenir enfoncée la touche "+" (plus) ou "-" (moins) pendant quelques secondes pour naviguer rapidement dans les niveaux de puissance. Si un niveau de puissance n'est pas sélectionné dans les 10 secondes qui suivent, l'élément ne se met pas en marche.

3. Pour modifier la puissance pendant la cuisson, sélectionner un niveau de puissance en utilisant les touches "+" (plus) ou "-" (moins).
4. À la fin de la cuisson, appuyer sur ON/OFF (marche/arrêt) pour éteindre la surface de cuisson désirée ou appuyer sur la touche OFF (arrêt) pour éteindre simultanément toutes les zones de cuisson.

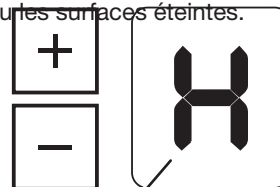
Utiliser le tableau suivant comme guide lors du réglage des niveaux de chaleur.

Réglage	Utilisation recommandée
Élevée 20 BOIL	<ul style="list-style-type: none"> ■ Démarrer la cuisson des aliments. ■ Porter un liquide à ébullition.
Moyenne-élevée 17-19	<ul style="list-style-type: none"> ■ Maintenir une ébullition rapide. ■ Brunir ou saisir rapidement les aliments.
Moyenne 10-16	<ul style="list-style-type: none"> ■ Maintenir une ébullition lente. ■ Faire frire ou sauter les aliments.
Moyenne-basse 04-09	<ul style="list-style-type: none"> ■ Faire cuire les soupes et les sauces. ■ Faire mijoter ou étuver les aliments.
Basse 03 SIMMER	<ul style="list-style-type: none"> ■ Fournit le réglage le plus bas de mijotage/chaleur. ■ Mijotage (gamme de températures de mijotage).
Maintien au chaud 02 K. WARM	<ul style="list-style-type: none"> ■ Pour garder au chaud les aliments cuits.
Faire fondre 01 MELT	<ul style="list-style-type: none"> ■ Faire fondre le chocolat et le beurre.
Éléments double/triple	<ul style="list-style-type: none"> ■ Préparation de conserves à la maison ■ Ustensile de cuisson à grand diamètre ■ Grandes quantités de nourriture

N'oubliez pas : Lors de l'utilisation de la cuisinière, toute la surface de la table de cuisson peut devenir chaude.

Témoins lumineux de surface chaude

Un "H" apparaît sur l'afficheur de la surface de cuisson tant qu'une surface de cuisson est trop chaude pour être touchée, même une fois les autres surfaces éteintes.



A. Témoin de surface chaude

Témoin lumineux de mise en marche de la table de cuisson

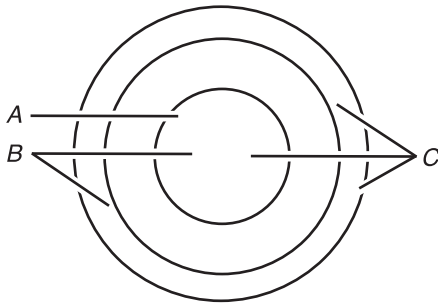
La table de cuisson est munie d'un témoin lumineux de mise en marche de la table de cuisson. Le témoin s'allume lorsqu'un élément est en marche.

L'affichage de l'élément indique le niveau de puissance utilisé lorsque l'élément est en marche et qu'une puissance est sélectionnée.

Éléments double/triple

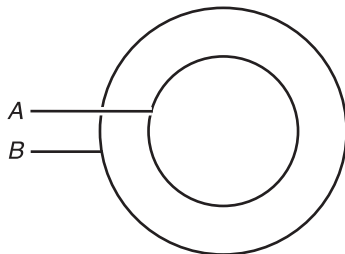
Les éléments double et triple offrent une souplesse d'utilisation en fonction de la taille de l'ustensile de cuisson. La dimension simple peut être utilisée de la même manière qu'un élément ordinaire. La dimension double et la dimension triple combinent les éléments simple, double et externe ; leur utilisation est recommandée pour les ustensiles de cuisson de plus grande dimension, pour les grandes quantités de nourriture et la préparation de conserves à la maison.

Élément triple (sur certains modèles)



- A. Dimension simple
- B. Dimension double
- C. Dimension triple

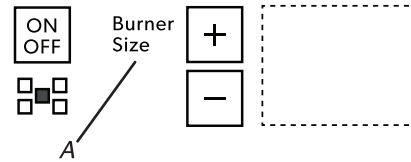
Élément double



- A. Élément simple
- B. Élément double

Utilisation des éléments double et triple :

- Lorsqu'on appuie sur la touche On/Off (marche/arrêt), toutes les zones de cuisson de l'élément activé seront utilisées. Pour réduire le nombre de zones de cuisson utilisées, appuyer sur le bouton BURNER SIZE (taille de brûleur). Un, deux ou trois témoins lumineux s'allument pour indiquer le nombre de zones de brûleur en cours d'utilisation. L'un des témoins lumineux clignotera.



A. Taille du brûleur

- Appuyer sur la touche "+" (plus) ou "-" (moins) pour sélectionner le niveau de puissance. Un signal sonore retentit chaque fois que l'on appuie sur une touche.
REMARQUE : Maintenir enfoncée la touche "+" (plus) ou "-" (moins) pendant quelques secondes pour naviguer rapidement dans les niveaux de puissance. Si un niveau de puissance n'est pas sélectionné dans les 10 secondes qui suivent, l'élément ne se met pas en marche.
- Pour modifier la puissance pendant la cuisson, sélectionner un nouveau niveau de puissance en utilisant les touches "+" (plus) ou "-" (moins).
REMARQUE : Si le niveau de puissance est au minimum, appuyer sur "-" (moins) permettra de passer immédiatement au niveau maximum.
- Pour modifier la zone de cuisson utilisée, appuyer sur la touche BURNER SIZE (taille de brûleur).
- À la fin de la cuisson, appuyer sur ON/OFF (marche/arrêt) pour éteindre la zone de cuisson désirée.

Verrouillage des commandes

La commande de verrouillage de commande de la table de cuisson empêche l'utilisation involontaire des zones de cuisson à la surface. Lorsque la table de cuisson est verrouillée, les surfaces de cuisson ne peuvent pas être allumées au moyen des commandes tactiles de la table de cuisson.

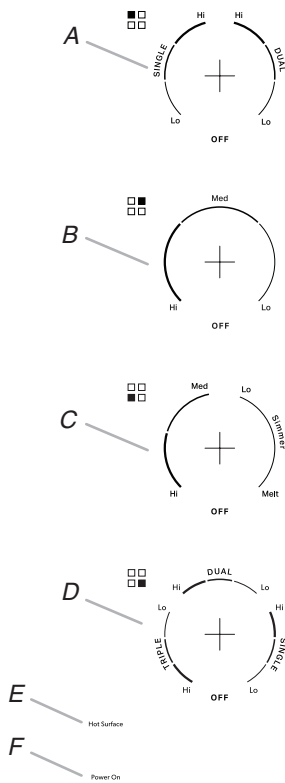
Verrouillage de la table de cuisson : Appuyer pendant 3 secondes sur la touche Lock hold 3 sec (verrouillage des commandes – appuyer pendant 3 s). Au bout de 3 secondes, Control Lock 3 sec (verrouillage des commandes – appuyer pendant 3 s) s'allume en rouge, indiquant que les commandes de la table de cuisson sont en position verrouillée.

Pour déverrouiller la table de cuisson : Appuyer pendant 3 secondes sur la touche Lock Hold 3 sec (verrouillage des commandes – appuyer pendant 3 s).

PIÈCES ET CARACTÉRISTIQUES – COMMANDES À BOUTON ROTATIF

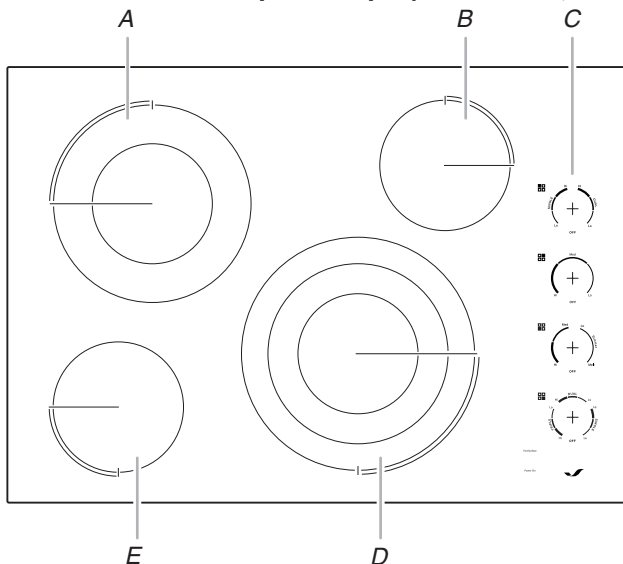
Ce manuel couvre différents modèles. La table de cuisson que vous avez achetée peut comporter tous les articles énumérés ou seulement certains d'entre eux.

Tableau de commande de 24 po et 30 po (61 cm et 76,2 cm)



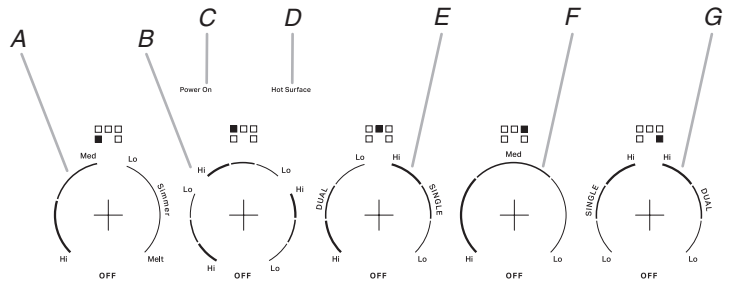
- A. Bouton de commande de l'élément arrière gauche double
- B. Bouton de commande de l'élément arrière droit simple
- C. Bouton de commande de l'élément avant gauche simple
- D. Bouton de commande de l'élément avant droit triple
- E. Témoin lumineux de surface chaude
- F. Témoin lumineux de la table de cuisson en marche

Table de cuisson de 24 po et 30 po (61 cm et 76,2 cm)



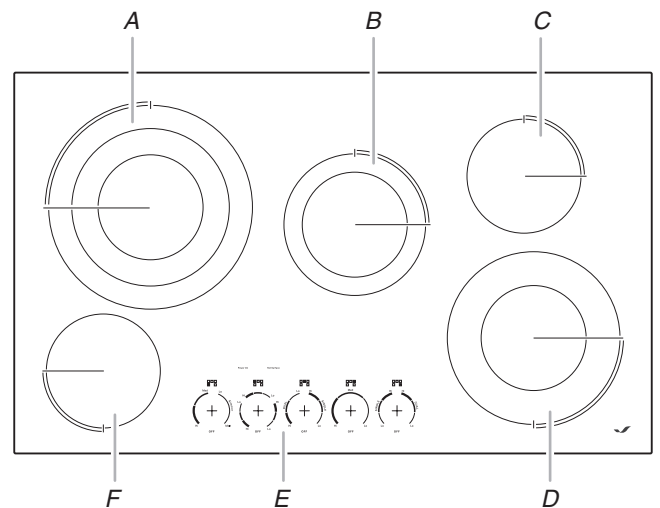
- A. Élément arrière gauche double
- B. Élément arrière droit simple
- C. Tableau de commande
- D. Élément avant droit triple
- E. Élément avant gauche simple

Tableau de commande de 36 po (91,4 cm)



- A. Bouton de commande de l'élément avant gauche simple
- B. Bouton de commande de l'élément arrière gauche triple
- C. Témoin lumineux de la table de cuisson en marche
- D. Témoin lumineux de surface chaude
- E. Bouton de commande de l'élément arrière central double
- F. Bouton de commande de l'élément arrière droit simple
- G. Bouton de commande de l'élément avant droit double

Table de cuisson de 36 po (91,4 cm)



- A. Élément arrière gauche triple
- B. Élément arrière central double
- C. Élément arrière droit simple
- D. Élément avant droit double
- E. Tableau de commande
- F. Élément avant gauche simple

COMMANDES DE LA TABLE DE CUISSON – COMMANDES À BOUTONS ROTATIFS

Commandes de la table de cuisson

⚠ AVERTISSEMENT



Risque d'incendie

Fermer tous les réglages lorsque la cuisson est terminée.

Le non-respect de cette instruction peut causer un décès ou un incendie.

Les commandes peuvent être réglées à n'importe quelle position entre Hi (élevé) et Lo (bas).

Utilisation :

Pousser et tourner le bouton au réglage de chaleur désiré.

Utiliser le tableau suivant comme guide lors du réglage des niveaux de chaleur.

Réglage	Utilisation recommandée
Hi Élevée	■ Porter un liquide à ébullition.
Med High Moyenne-élevée	■ Maintenir une ébullition rapide. ■ Brunir ou saisir rapidement les aliments.
Med Moyenne	■ Maintenir une ébullition lente. ■ Faire frire ou sauter les aliments. ■ Faire cuire les soupes et les sauces.
Med Low Moyenne-basse	■ Faire mijoter ou étuver les aliments. ■ Faire mijoter à feu doux.
Lo Basse	■ Pour garder au chaud les aliments cuits.
Éléments à double/triple circuit	■ Préparation de conserves à la maison ■ Ustensile de cuisson à grand diamètre ■ Grandes quantités de nourriture
Faire fondre	■ Faire fondre du chocolat ou du beurre.

N'OUBLIEZ PAS : Lors de l'utilisation de la cuisinière, toute la surface de la table de cuisson peut devenir chaude.

Témoin lumineux de surface chaude

Cet appareil comporte un témoin lumineux de surface chaude. Le témoin lumineux de surface chaude reste allumé tant qu'une surface de cuisson reste trop chaude pour être touchée, même après que la ou les surface(s) de cuisson sont éteintes.

Si une panne de courant survient alors que la table de cuisson est allumée, le témoin lumineux de surface chaude restera allumé après le rétablissement de l'alimentation électrique à la table de cuisson. Il restera allumé jusqu'à ce que la table de cuisson refroidisse complètement.

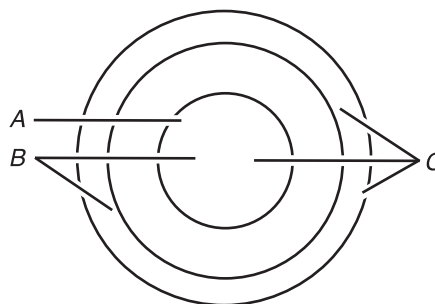
Témoin lumineux de mise en marche de la table de cuisson

Toutes les tables de cuisson comportent un témoin lumineux d'allumage de la table de cuisson. Lorsque le bouton de commande est activé, le témoin s'allume.

Élément à double/triple circuit

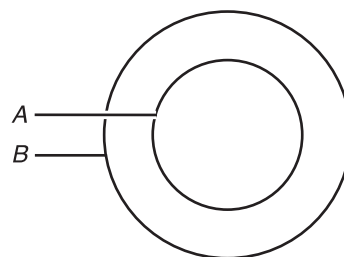
Les éléments à double ou triple dimension offrent une souplesse d'utilisation en fonction de la taille de l'ustensile de cuisson. La dimension simple peut être utilisée de la même manière qu'un élément ordinaire. La dimension double et la dimension triple combinent les éléments simple, double et externe ; leur utilisation est recommandée pour les ustensiles de cuisson de plus grande dimension, pour les grandes quantités de nourriture et la préparation de conserves à la maison.

Élément triple (sur certains modèles)



A. Dimension simple
B. Dimension double
C. Dimension triple

Élément double



A. Élément simple
B. Élément double

Utilisation de l'élément simple :

1. Appuyer sur le bouton et le tourner de la position Off (arrêt) à la zone Single (simple) n'importe où entre Melt (faire fondre) et Hi (élevé).
2. Tourner le bouton à OFF (arrêt) après avoir terminé.

Utilisation des éléments double et triple :

1. Appuyer sur le bouton et le tourner de la position Off (arrêt) à la zone Dual (double) ou Triple n'importe où entre Melt (faire fondre) et Hi (élevé).
2. Tourner le bouton à OFF (arrêt) après avoir terminé.

UTILISATION DE LA TABLE DE CUISSON

Préparation de conserves à la maison

Lors de la préparation de conserves pendant de longues périodes, alterner l'utilisation des surfaces de cuisson, des éléments ou des brûleurs de surface entre les quantités préparées. Ceci permet aux dernières surfaces utilisées de refroidir.

- Centrer l'autoclave sur la grille, sur la plus grande surface de cuisson ou sur le plus grand élément. L'autoclave ne doit pas dépasser de plus de 1/2 po (1,3 cm) hors de la surface de cuisson ou l'élément de cuisson.
- Ne pas placer l'autoclave sur deux surfaces de cuisson, deux éléments ou deux brûleurs de surface à la fois.
- N'utiliser que des autoclaves à fond plat.
- Pour plus d'informations, contacter votre département agricole local. Les compagnies qui fabriquent des produits pour la préparation de conserves peuvent aussi offrir de l'aide.

Ustensile de cuisson

IMPORTANT : Ne pas laisser d'ustensile de cuisson vide sur une surface de cuisson, un élément ou un brûleur de surface chaud.

Les ustensiles de cuisson idéaux doivent avoir un fond plat, des parois droites, un couvercle qui ferme bien et le matériau doit être d'épaisseur moyenne à forte.

Les finis rugueux peuvent égratigner la table de cuisson. L'aluminium et le cuivre peuvent être utilisés comme fond ou base d'un ustensile de cuisson. Toutefois, lorsqu'ils sont utilisés comme base, ils peuvent laisser des marques permanentes sur la surface de cuisson ou les grilles.

Le matériau d'un ustensile a une influence sur la rapidité et l'uniformité de la transmission de la chaleur, lesquelles contribuent aux résultats de cuisson. Un fini antiadhésif a les mêmes caractéristiques que son matériau de base. Par exemple, un ustensile de cuisson en aluminium avec un fini antiadhésif aura les propriétés de l'aluminium.

Utiliser le tableau suivant comme guide pour les caractéristiques du matériau d'ustensile de cuisson.

Ustensile de cuisson	Caractéristiques
Aluminium	<ul style="list-style-type: none">■ Chauffe rapidement et uniformément.■ Convient à tous les genres de cuisson■ L'épaisseur moyenne ou forte convient le mieux pour la plupart des tâches de cuisson.
Fonte	<ul style="list-style-type: none">■ Chauffe lentement et uniformément.■ Convient pour le brunissage et la friture■ Maintient la chaleur pour une cuisson lente.
Céramique ou vitrocéramique	<ul style="list-style-type: none">■ Suivre les instructions du fabricant.■ Chauffe lentement, mais inégalement.■ Excellents résultats avec des réglages de chaleur de bas à moyen
Cuivre	<ul style="list-style-type: none">■ Chauffe très rapidement et uniformément.
Terre cuite	<ul style="list-style-type: none">■ Suivre les instructions du fabricant.■ Utiliser des réglages de température basse.
Acier émaillé en porcelaine ou fonte émaillée	<ul style="list-style-type: none">■ Voir acier inoxydable ou fonte.
Acier inoxydable	<ul style="list-style-type: none">■ Chauffe rapidement, mais inégalement.■ Un fond ou une base d'aluminium ou de cuivre sur l'acier inoxydable procure un chauffage uniforme.

Vitrocéramique

La surface de cuisson rougeoie lorsqu'un élément est allumé. Il est possible que certaines zones de la surface de cuisson ne rougeoient pas lorsqu'un élément est allumé. Ce phénomène est normal. Le brûleur s'allume et s'éteint par intermittence pour maintenir le niveau de chaleur sélectionné. Il fonctionne également par intermittence et de façon aléatoire (même en position élevée) afin de protéger la table de cuisson contre des températures extrêmes.

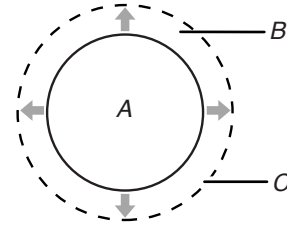
Il est normal que la surface de vitrocéramique claire semble changer de couleur lorsque les zones de cuisson à la surface sont chaudes. Lorsque le verre refroidit, il revient à sa couleur originale.

Le fait d'essuyer la table de cuisson avant et après chaque utilisation permettra d'éviter la présence de taches et d'assurer une meilleure répartition de la chaleur. Sur les tables de cuisson en vitrocéramique claire, les salissures et taches sont susceptibles d'être plus visibles et de nécessiter davantage de nettoyage et de soins. L'utilisation d'un nettoyant pour table de cuisson et d'un grattoir est recommandée.

Pour obtenir plus de renseignements, voir la section "Nettoyage général".

- Ne pas ranger de bocaux ou de boîtes de conserve au-dessus de la table de cuisson. La chute d'un objet lourd ou dur sur la table de cuisson pourrait la fêler.
- Afin d'éviter d'endommager la table de cuisson, ne pas laisser un couvercle chaud sur la table de cuisson. Lorsque la table de cuisson refroidit, de l'air peut se trouver piégé entre le couvercle et la table de cuisson et la vitrocéramique pourrait se casser lorsqu'on enlève le couvercle.
- Nettoyer dès que possible tous les renversements et toutes les salissures des aliments contenant du sucre sous n'importe quelle forme. Laisser la table de cuisson refroidir légèrement. Ensuite, tout en portant des mitaines de four, nettoyer les renversements avec un grattoir pendant que la surface est encore tiède. Si on laisse le sucre refroidir sur la table de cuisson, il se peut que celui-ci adhère à la surface et laisse un creux et des marques permanentes.
- Afin d'éviter toute égratignure, ne pas faire glisser de plats de cuisson sur la table de cuisson. Les fonds en aluminium ou en cuivre et les finis rugueux des ustensiles de cuisson pourraient laisser des égratignures ou des marques sur la table de cuisson. Ne pas faire cuire de maïs soufflé dans son emballage en aluminium d'origine sur la table de cuisson. Il pourrait rester des traces d'aluminium qui ne peuvent être complètement enlevées.
- Afin d'éviter d'endommager la table de cuisson, ne pas laisser d'objets qui pourraient fondre, comme du plastique ou du papier d'aluminium, toucher une partie quelconque de la table de cuisson.
- Afin d'éviter d'endommager la table de cuisson, ne pas l'utiliser en guise de planche à découper.

- Utiliser des ustensiles de cuisson qui sont environ de la même taille que la surface de cuisson. L'ustensile de cuisson ne doit pas dépasser de plus de 1/2 po (1,3 cm) hors de la zone de cuisson.



A. Zone de cuisson à la surface
B. Ustensiles de cuisson/autoclave
C. Dépassement maximum de 1/2 po (1,3 cm)

- Utiliser des ustensiles de cuisson à fond plat pour une meilleure conduction de la chaleur et une meilleure utilisation de l'énergie. Les plats de cuisson à fond arrondi, déformé, cannelé ou bosselé pourraient causer un chauffage inégal et de mauvais résultats de cuisson.
- Contrôler la planéité du récipient en plaçant une règle plate en travers du fond du plat. Lorsqu'on fait tourner la règle, aucun espace ou jour ne doit être visible entre celle-ci et le plat.
- Les ustensiles de cuisson à fond légèrement cannelé ou à petites stries de dilatation peuvent être utilisés.
- S'assurer que les fonds des casseroles et poêles sont propres et secs avant de les utiliser. Les résidus et l'eau peuvent laisser des dépôts quand ils sont chauffés.
- Afin d'éviter d'endommager la table de cuisson, ne pas faire cuire d'aliments directement sur la table de cuisson.

ENTRETIEN DE LA TABLE DE CUISSON

Nettoyage général

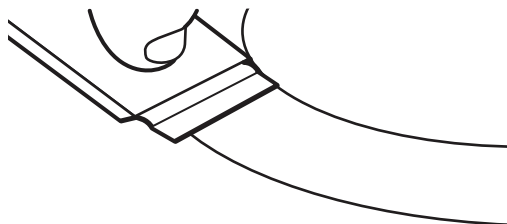
IMPORTANT : Avant le nettoyage, s'assurer que toutes les commandes sont éteintes et que la table de cuisson a refroidi. Toujours suivre les instructions figurant sur les étiquettes des produits de nettoyage.

L'usage de savon, d'eau et d'un chiffon doux ou d'une éponge est suggéré en priorité, sauf indication contraire.

VITROCÉRAMIQUE (sur certains modèles)

Afin d'éviter d'endommager la table de cuisson, ne pas utiliser de laine d'acier, de nettoyants en poudre abrasifs, d'eau de Javel, de produit antirouille ou d'ammoniac.

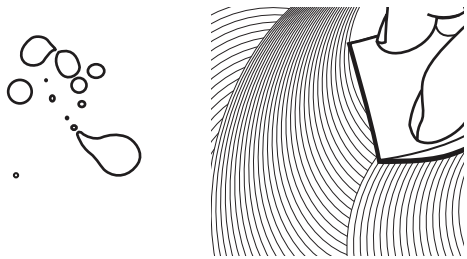
1. Éliminer les salissures alimentaires avec le grattoir pour table de cuisson.



- Pour faciliter le nettoyage, utiliser le grattoir pendant que la table de cuisson est encore tiède, mais non brûlante au toucher. Il est recommandé de porter des mitaines de four pour gratter la table de cuisson tiède.
- Tenir le grattoir pour table de cuisson à un angle d'environ 45° par rapport à la surface de verre et gratter les salissures. Il convient d'appuyer fermement pour éliminer les salissures.

Laisser la table de cuisson refroidir complètement avant de passer à l'étape 2.

2. Appliquer quelques gouttes de nettoyant pour table de cuisson affresh® sur les zones concernées.



- Frotter le nettoyant affresh® sur la surface de la table de cuisson avec le tampon bleu à nettoyer les tables de cuisson. Il convient d'appuyer fermement pour éliminer les taches rebelles.
 - Laisser le produit nettoyant sécher en une pellicule blanchâtre avant de passer à l'étape 3.
3. Faire briller avec un chiffon ou un essuie-tout propre et sec.



- Répéter au besoin les étapes 1 à 3 pour les taches les plus tenaces ou incrustées.

Le nécessaire complet de nettoyage pour tables de cuisson est offert sur commande. Il contient :

- Grattoir pour table de cuisson
- Nettoyant pour table de cuisson affresh®
- Tampons bleus pour nettoyer les tables de cuisson

Consulter la section "Accessoires" pour obtenir les numéros de pièces et renseignements pour commander.

ACIER INOXYDABLE (sur certains modèles)

Pour éviter d'endommager les surfaces en acier inoxydable, ne pas utiliser de tampons à récurer savonneux, de nettoyants abrasifs, de crème à polir pour table de cuisson, de tampons en laine d'acier, de chiffons de lavage rêches ou d'essuie-tout abrasifs.

Pour de meilleurs résultats, utiliser un chiffon doux ou une éponge non abrasive.

Frotter dans la direction du grain pour éviter les dommages.

Méthode de nettoyage :

- Nettoyant affresh® pour acier inoxydable – numéro de pièce W10355016 (vendu séparément) : Voir la section "Assistance ou service" pour commander.
- Nettoyant tout usage : Rincer à l'eau propre et sécher avec un chiffon doux sans charpie.
- Vinaigre pour les taches d'eau dure

COMMANDES DE LA TABLE DE CUISSON

Afin d'éviter d'endommager les commandes de la table de cuisson, ne pas utiliser de laine d'acier, de nettoyants abrasifs ou de nettoyant pour four.

Afin d'éviter toute détérioration, ne pas laisser tremper les boutons de commande.

Lors de la réinstallation des boutons, s'assurer que chaque bouton est à la position ARRÊT.

Sur certains modèles, ne pas enlever les joints sous les boutons.

Méthode de nettoyage :

- Savon et eau : Tirer les boutons directement hors du tableau de commande pour les enlever.
- Ne pas mettre les boutons au lave-vaisselle.

TABLEAU DE COMMANDE

Afin d'éviter d'endommager le tableau de commande, ne pas utiliser de nettoyants abrasifs, de tampons en laine d'acier, de chiffons de lavage rêches ou d'essuie-tout abrasifs.

Méthode de nettoyage :

- Nettoyant à vitre et chiffon doux ou éponge : Appliquer le nettoyant à vitre sur un chiffon doux ou une éponge et non directement sur le tableau.
- Nettoyant affresh® pour cuisine et appareils ménagers – numéro de pièce W10355010 (vendu séparément) : Voir la section "Assistance ou service" pour commander.

DÉPANNAGE

Essayez d'abord les solutions suggérées ici. Pour obtenir de l'aide ou des recommandations supplémentaires pour éviter un appel de service, visiter le <https://jennair.custhelp.com>. Au Canada, visiter le <http://www.jennair.ca>.

Il est possible d'adresser ses commentaires ou questions par courrier à l'adresse ci-dessous.

Aux États-Unis :

JennAir Brand Home Appliances
Customer eXperience Center
553 Benson Road
Benton Harbor, MI 49022-2692

Au Canada :

JennAir Brand Home Appliances
Customer eXperience Centre
200 – 6750 Century Ave.
Mississauga, Ontario L5N 0B7

Veillez indiquer dans votre correspondance un numéro de téléphone où l'on peut vous joindre dans la journée.

Problème	Causes et solutions possibles
Rien ne fonctionne	Un fusible est grillé ou un disjoncteur est déclenché : Remplacer le fusible ou réenclencher le disjoncteur. Si le problème persiste, appeler un électricien. La table de cuisson n'est pas bien raccordée : Voir les instructions d'installation.
La table de cuisson ne fonctionne pas	Le bouton de commande est mal réglé : Enfoncer le bouton avant de le tourner à un réglage. Durant l'utilisation, un ou plusieurs brûleurs ont cessé de fonctionner : Laisser la table de cuisson refroidir pendant 30 minutes puis rallumer le brûleur. Le verrouillage des commandes n'est pas réglé : Appuyer sur "Control Lock" (verrouillage des commandes) pendant 3 secondes
Chaleur excessive autour des ustensiles de cuisson sur la table de cuisson	Les ustensiles de cuisson n'ont pas la bonne taille : Utiliser un ustensile de cuisson à peu près de la même dimension que la surface de cuisson, l'élément ou le brûleur de surface. L'ustensile de cuisson ne doit pas dépasser de plus de ½ po (1,3 cm) hors de la zone de cuisson. La surface de la table de cuisson devient chaude : Lorsque la table de cuisson est en marche, toute la surface de la table de cuisson peut devenir chaude.
La cuisson ne produit pas les résultats escomptés	Le bon ustensile de cuisson n'est pas utilisé : Consulter la section "Plats de cuisson". Le bouton de commande est réglé au niveau approprié de chaleur : Consulter la section "Commandes de la table de cuisson". La table de cuisson n'est pas d'aplomb : Nivelier la table de cuisson. Voir les instructions d'installation. Certains réglages de puissance demandent plus de temps pour cuire les aliments ou certains niveaux de puissance n'offrent pas un rendement aussi efficace qu'à l'habitude : La table de cuisson régule la température des composants internes et réduit automatiquement le niveau de puissance de tous les éléments en cours d'utilisation sans aucun signal visuel ou sonore. Laisser la table de cuisson refroidir pendant 30 minutes pour retrouver une performance de cuisson normale. Voir le point "Utilisation" dans la section "Commandes de la table de cuisson".
La table de cuisson émet un signal sonore	La touche est maintenue enfoncée : Retirer tout objet laissé sur la zone du module de commande ou essuyer les éventuelles saletés sur la surface du tableau de commande. Si la table de cuisson émet un signal sonore pendant plus de 15 minutes, le tableau de commande se verrouille et le code F1E0 code apparaît sur l'affichage. Voir le point "Le code F1E0 s'affiche sur la table de cuisson" dans cette section.
Le code F1E0 s'affiche sur la table de cuisson	Le code F1E0 s'affiche sur la table de cuisson, indiquant ainsi qu'une ou plusieurs touches sont maintenues enfoncées : Suivre les étapes ci-dessous. <ol style="list-style-type: none">1. S'assurer que les commandes de la table de cuisson sont sur Off (arrêt).2. Nettoyer à fond le tableau de commande à touches de la table de cuisson. Voir la section "Nettoyage général".3. Déconnecter la source de courant électrique ou débrancher la table de cuisson.4. Au bout d'une minute, reconnecter la source de courant électrique ou brancher la table de cuisson.5. Si le code d'anomalie réapparaît après 1 minute, faire un appel de service.

ASSISTANCE OU DÉPANNAGE

Si vous avez besoin de service

Consultez la page de garantie du présent manuel.

Si vous avez besoin de pièces de rechange

Pour commander des pièces de rechange, nous vous recommandons d'utiliser seulement des pièces spécifiées par l'usine. Les pièces de rechange spécifiées par l'usine conviendront et fonctionneront bien parce qu'elles sont fabriquées selon la même précision que celle utilisée pour fabriquer chaque nouvel appareil JennAir®.

Pour savoir où trouver des pièces d'usine spécifiques dans votre région, appelez-nous ou contactez le centre de service désigné par JennAir le plus proche.

Aux É.-U.

Appelez sans frais au Centre pour l'eXpérience de la clientèle au : **1 800 JENNAIR (1 800 536-6247)**

Nos conseillers peuvent vous aider sur les points suivants :

- Caractéristiques et spécifications de notre gamme complète d'appareils ménagers.
- Renseignements sur l'installation.
- Procédures d'utilisation et d'entretien.
- Vente de pièces de rechange.
- Assistance spécialisée au client (langue espagnole, malentendants, malvoyants, etc.).
- Orientation vers des revendeurs, distributeurs de pièces de rechange et services de réparation locaux. Les techniciens de service désignés par JennAir sont formés pour remplir la garantie de produit et fournir un service après garantie partout aux États-Unis.

Pour localiser la compagnie de service désignée par JennAir dans votre région, vous pouvez également consulter les Pages jaunes.

Pour plus d'assistance

Si vous avez besoin de plus d'assistance, vous pouvez soumettre par écrit toute question ou préoccupation à l'adresse suivante :

JennAir Brand Home Appliances
Customer eXperience Center
553 Benson Road
Benton Harbor, MI 49022-2692

Veuillez indiquer dans votre correspondance un numéro de téléphone où l'on peut vous joindre dans la journée.

Au Canada

Appelez sans frais au Centre pour l'eXpérience de la clientèle canadienne de Whirlpool au : **1 800 JENNAIR (1 800 536-6247)**

Nos conseillers peuvent vous aider sur les points suivants :

- Procédures d'utilisation et d'entretien.
- Vente de pièces de rechange.
- Orientation vers des revendeurs, distributeurs de pièces de rechange et services de réparation locaux. Les techniciens de service désignés par JennAir sont formés pour remplir la garantie des produits et fournir un service après la garantie, partout au Canada.

Pour plus d'assistance

Si vous avez besoin de plus d'assistance, vous pouvez soumettre par écrit toute question ou préoccupation à l'adresse suivante :

JennAir Brand Home Appliances
Customer eXperience Centre
200 – 6750 Century Ave.
Mississauga, ON L5N 0B7

Veuillez indiquer dans votre correspondance un numéro de téléphone où l'on peut vous joindre dans la journée.

Accessoires

Pour commander des accessoires, visiter notre site Web au **www.jennair.com**.

Nettoyant pour acier inoxydable affresh®

(modèles en acier inoxydable)
Commander le numéro de pièce W10355016

Nettoyant pour la cuisine et les appareils ménagers affresh®

Commander le numéro de pièce W10355010

REMARQUES

REMARQUES

