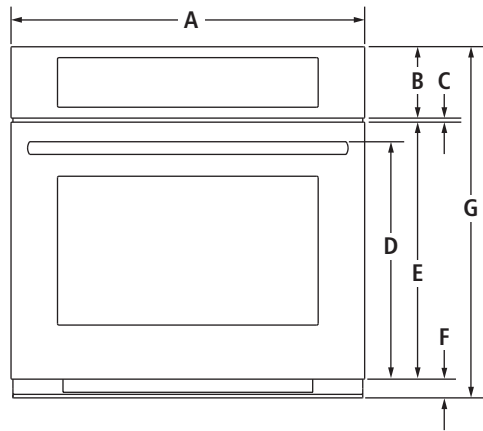


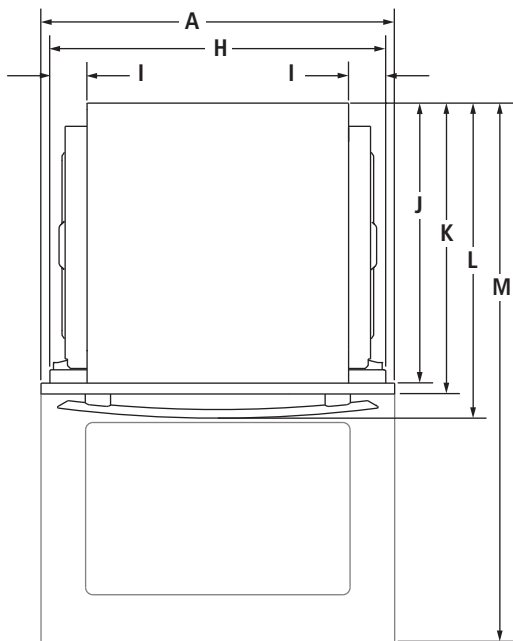
30" SINGLE WALL OVENS

JJW3430W, JJW2430W, JJW2330W – 29¾" x 29½" x 26¾"

PRODUCT DIMENSIONS



FRONT VIEW



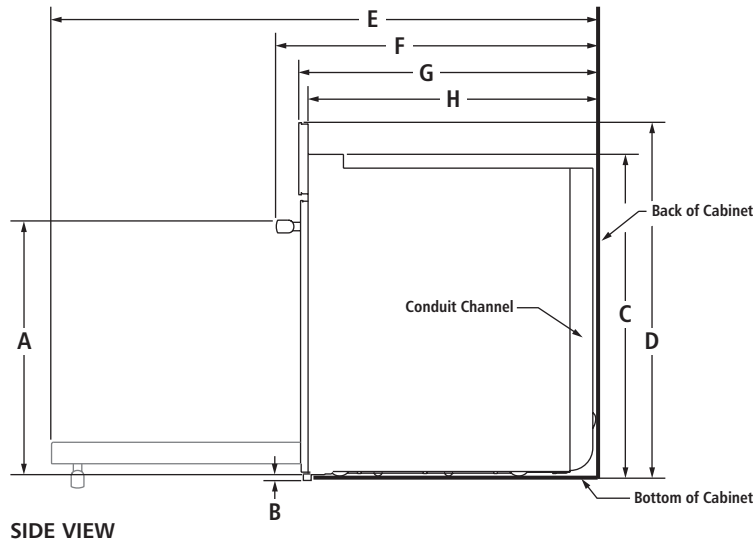
TOP VIEW

MODEL #	JJW3430W JJW2430W JJW2330W	
	in	cm
A	Overall width Pro-Style® Stainless, Euro-Style Stainless or Oiled Bronze	29¾ 75.6
	Floating Glass	29⅝ 75.3
B	Height of control panel	6 15.2
C	Space between control panel and door	⅜ 0.9
D	Height to top of handle Pro-Style® Stainless	20¼ 51.4
	Euro-Style (color-coordinating)	20 50.7
E	Height of door	21⅝ 54.9
F	Height of trim	1½ 4.0
G	Overall height	29½ 75.0
H	Width of recessed oven	28¼ 71.8
I	Width of conduit channel	3 7.6
J	Depth of recessed oven	23⅞ 60.5
K	Depth with door	24¾ 62.8
L	Depth with handle Pro-Style® Stainless	27¼ 69.2
	Euro-Style (color-coordinating)	26¾ 68.0
M	Depth with door fully open	45⅞ 115.2

30" SINGLE WALL OVENS

JJW3430W, JJW2430W, JJW2330W – 29¾" x 29½" x 26¾"

DIMENSIONS AS INSTALLED

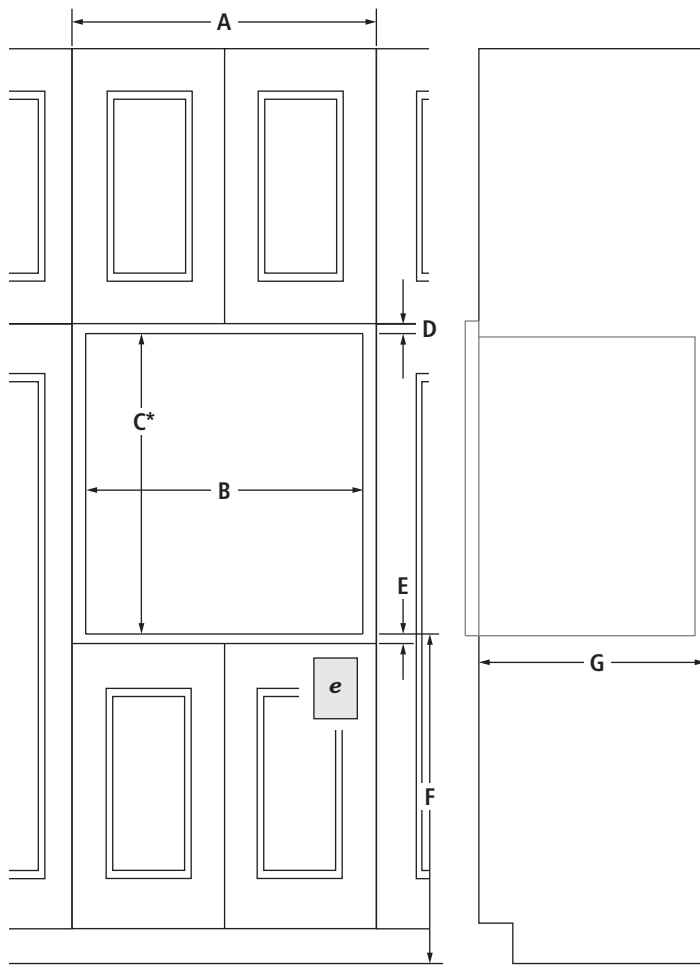


MODEL #		JJW3430W	
		in	cm
A	Height to top of handle Pro-Style® Stainless	21½	55.1
	Euro-Style (color-coordinating)	21¾	54.4
B	Height of trim extending below cutout	¼	0.6
C	Height of recessed oven	26¾	68.0
D	Height to top of control panel	29¾	74.7
E	Depth with door fully open	45¾	115.2
F	Depth with handle Pro-Style® Stainless	27¼	69.2
	Euro-Style (color-coordinating)	26¾	68.0
G	Depth with door	24¾	62.8
H	Depth of recessed oven	23¾	60.5

30" SINGLE WALL OVENS

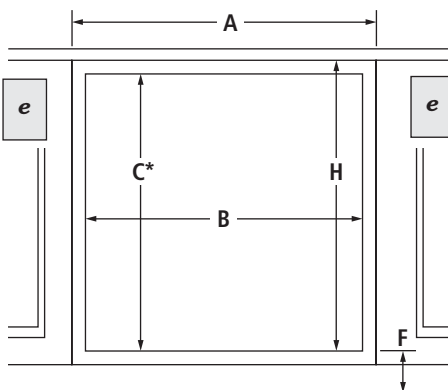
JJW3430W, JJW2430W, JJW2330W – 29¾" x 29½" x 26¾"

OPENING/CLEARANCE DIMENSIONS

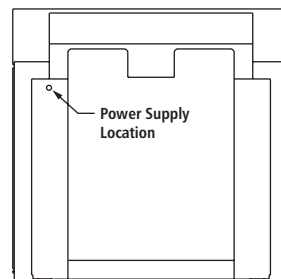


FRONT VIEW

SIDE VIEW



UNDER COUNTER INSTALLATION
(without cooktop installed above)



BACK VIEW

MODEL #

		JJW3430W JJW2430W JJW2330W	
		in	cm
A	Width of cabinet (min.)	30	76.2
B	Width of cutout	28½	72.4
C*	Height of cutout (recommended)	27¾	70.5
D	Top of cutout to bottom of upper cabinet door (min.)	2	5.1
E	Bottom of cutout to top of lower cabinet door (min.)	1½	3.8
F	Bottom of cutout to floor	4⅝-32	11.7-81.3
G	Depth of cutout (min.)	24	61.0
H	Bottom of countertop to bottom of cutout (min.)	30½	77.5
e	Recommended junction box location		

*Will fit cutout height from 27" (68.6 cm) to 29⅙" (73.8 cm).

ELECTRICAL REQUIREMENTS

240 volt, 20-amp fused, grounded circuit is required. A dedicated circuit is recommended.

The length of conduit provided is for serviceability. Do not cut the conduit. The junction box should be located 3" (7.6 cm) maximum below the support surface. Drill a 1¼" (3.4 cm) minimum diameter hole in the right rear corner of the support surface for access to the junction box.

If the junction box is on the rear wall behind the oven, it must be recessed and located in any corner of the cabinet.

NOTE: For under counter installation, the junction box should be located in the adjacent right or left cabinet. Drill a 1¼" (3.4 cm) minimum diameter hole in an upper corner of the side wall for access to the junction box.

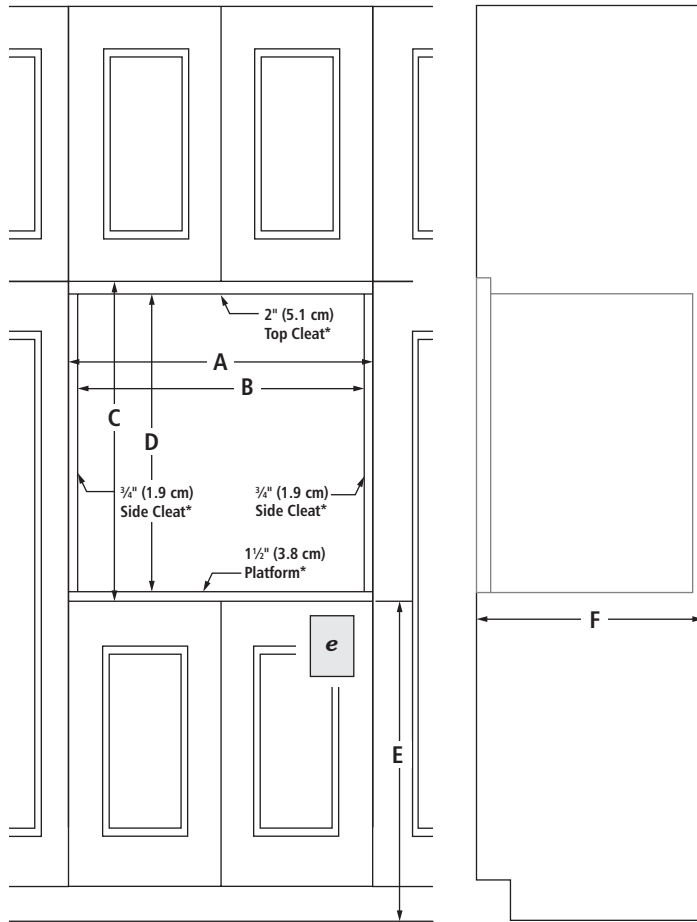
CABINET REQUIREMENTS

NOTE: When using under counter installation, check cabinet manufacturer's specifications to verify fit.

30" SINGLE WALL OVENS – FLUSH INSTALLATION

JJW3430W, JJW2430W, JJW2330W – 29¾" x 29½" x 24¾" (depth without handle)

OPENING/CLEARANCE DIMENSIONS



FRONT VIEW

SIDE VIEW

MODEL #		JJW3430W	
		in	cm
A	Width of flush inset cutout (min.)	30	76.2
B	Width of opening (min.)	28½	72.4
C	Height of flush inset cutout (min.)	31¼	79.4
D	Height of opening (min.)	27¾	70.5
E	Bottom of cutout to floor	4⅝- 32	11.7- 81.3
F	Depth of cutout (min.)	25	63.5
e	Recommended junction box location		

ELECTRICAL REQUIREMENTS

240 volt, 20-amp fused, grounded circuit is required. A dedicated circuit is recommended.

The length of conduit provided is for serviceability. Do not cut the conduit. The junction box should be located 3" (7.6 cm) maximum below the support surface. Drill a 1¼" (3.4 cm) minimum diameter hole in the right rear corner of the support surface for access to the junction box.

If the junction box is on the rear wall behind the oven, it must be recessed and located in any corner of the cabinet.

NOTE: For under counter installation, the junction box should be located in the adjacent right or left cabinet. Drill a 1¼" (3.4 cm) minimum diameter hole in an upper corner of the side wall for access to the junction box.

FLUSH INSTALLATION REQUIREMENTS

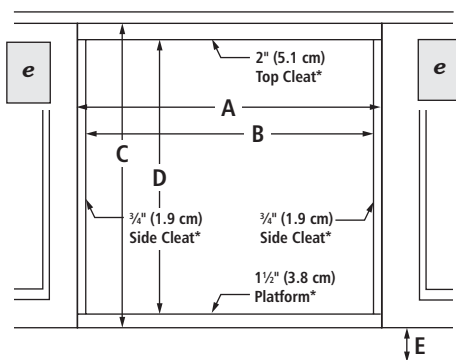
A 25" (63.5 cm) minimum cutout depth is required.

These dimensions will result in a ⅜" (1.0 cm) reveal on the top, a ⅛" (0.3 cm) reveal on the sides and a 1⅜" (3.5 cm) reveal on the bottom of the wall oven.

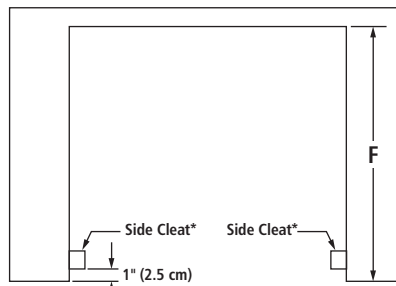
The front face of the cleats and platform will be visible and should be treated as a finished surface.

CABINET REQUIREMENTS

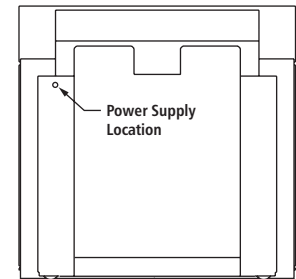
NOTE: When using under counter installation, check cabinet manufacturer's specifications to verify fit.



UNDER COUNTER INSTALLATION
(without cooktop installed above)



TOP VIEW



BACK VIEW

*Cleats and platform must be recessed 1" (2.5 cm) from the front of the cabinet.

SINGLE WALL OVEN AND COOKTOP COMBINATIONS

For the approved model number combinations, refer to the under counter label located on top of the oven chassis and on the bottom of the cooktop burner box.

APPROVED MODEL NUMBER COMBINATIONS

SINGLE WALL OVENS

30-Inch: JJW3430W, JJW2430W, JJW2330W
 27-Inch: JJW2427W, JJW2327W

INDUCTION COOKTOPS

36-Inch: JIC4536X
 30-Inch: JIC4430X

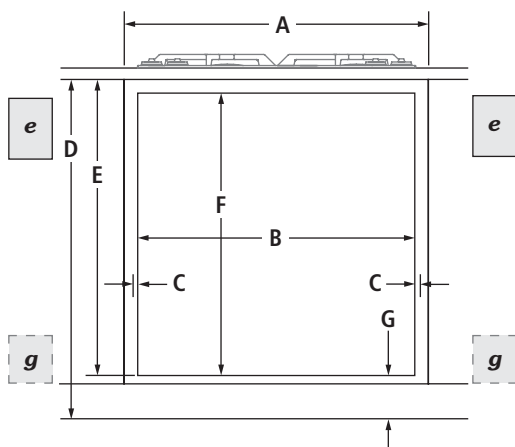
GAS COOKTOPS

36-Inch: JGC9536BD, JGC1536AD, JGC8536BD
 30-Inch: JGC9430BD, JGC1430AD, JGC8430CD

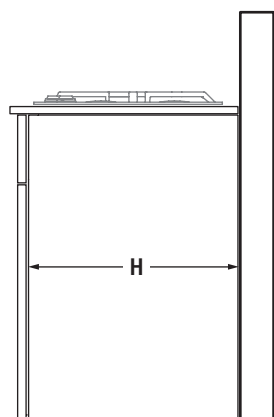
ELECTRIC COOKTOPS

36-Inch: JEC4536Y, JEC9536BD, JEC8536BD
 30-Inch: JEC4530Y, JEC9530BD, JEC8430BD

OPENING/CLEARANCE DIMENSIONS



FRONT VIEW –
 UNDER COUNTER INSTALLATION
 (with cooktop installed above)



SIDE VIEW –
 UNDER COUNTER INSTALLATION
 (with cooktop installed above)

MODEL #	JJW3430W JJW2430W JJW2330W		JJW2427W JJW2327W	
	in	cm	in	cm
A	Width of cabinet (min.)			
B	Width of cutout (recommended)			
C	Oven trim overlap			
D	Bottom of countertop to floor			
E	Bottom of countertop to bottom of cutout			
	Induction cooktop combination			
	Gas cooktop combination			
F	Height of cutout (recommended)			
	Electric cooktop combination			
G	Bottom of cutout to floor			
	Induction cooktop combination			
	Gas cooktop combination			
H	Depth of cabinet (min.)			
e	Recommended junction box location			
g	Recommended gas supply line location for gas cooktop			

NOTE: For under counter installation, the junction box should be located in the adjacent right or left cabinet. Drill a 1" (2.5 cm) minimum diameter hole in an upper corner of the side wall for access to the junction box.

CABINET REQUIREMENTS

NOTE: When using under counter installation, check cabinet manufacturer's specifications to verify fit.