

INSTALLATION INSTRUCTIONS 30" (76.2 CM) SLIDE-IN DUAL FUEL DOWNDRAFT RANGES

INSTRUCTIONS POUR L'INSTALLATION DES CUISINIÈRES À BI-COMBUSTIBLE ENCASTRABLES À ÉVACUATION DESCENDANTE DE 30" (76,2 CM)

Table of Contents

RANGE SAFETY	2
INSTALLATION REQUIREMENTS	4
Tools and Parts	4
Location Requirements	4
Venting Requirements	6
Venting Methods	6
Calculating Vent System Length.....	7
Electrical Requirements - U.S.A. Only	8
Electrical Requirements - Canada Only.....	9
Gas Supply Requirements	9
Countertop Preparation	10
INSTALLATION INSTRUCTIONS	11
Unpack Range.....	11
Adjust Leveling Legs	11
Install Anti-Tip Bracket.....	11
Install Downdraft System.....	12
Electrical Connection - U.S.A. Only	16
Make Gas Connection	18
Connect Range to Downdraft System.....	19
Electronic Ignition System	21
Complete Installation	21
GAS CONVERSIONS	22
LP Gas Conversion	22
Natural Gas Conversion	24

Table des matières

SÉCURITÉ DE LA CUISINIÈRE	26
EXIGENCES D'INSTALLATION	27
Outillage et pièces	27
Exigences d'emplacement.....	28
Exigences concernant l'évacuation	30
Méthodes d'évacuation.....	31
Calcul de la longueur effective du circuit d'évacuation.....	32
Spécifications électriques – Canada uniquement	33
Spécifications de l'alimentation en gaz	33
Préparation du plan de travail	35
INSTRUCTIONS D'INSTALLATION	35
Déballage de la cuisinière	35
Réglage des pieds de nivellement	36
Installation de la bride antibasculement	36
Installation du circuit d'évacuation par le bas	37
Raccordement au gaz	40
Raccordement de la cuisinière au circuit d'évacuation par le bas	41
Système d'allumage électronique.....	43
Achever l'installation	44
CONVERSIONS POUR CHANGEMENT DE GAZ	45
Conversion pour l'alimentation au propane	45
Conversion pour l'alimentation au gaz naturel	47

IMPORTANT:

Installer: Leave installation instructions with the homeowner.

Homeowner: Keep installation instructions for future reference.

IMPORTANT :

Installateur : Remettre les instructions d'installation au propriétaire.

Propriétaire : Conserver les instructions d'installation pour référence ultérieure.

RANGE SAFETY

Your safety and the safety of others are very important.

We have provided many important safety messages in this manual and on your appliance. Always read and obey all safety messages.



This is the safety alert symbol.

This symbol alerts you to potential hazards that can kill or hurt you and others.

All safety messages will follow the safety alert symbol and either the word “DANGER” or “WARNING.” These words mean:

⚠ DANGER

You can be killed or seriously injured if you don't immediately follow instructions.

⚠ WARNING

You can be killed or seriously injured if you don't follow instructions.

All safety messages will tell you what the potential hazard is, tell you how to reduce the chance of injury, and tell you what can happen if the instructions are not followed.

WARNING: If the information in this manual is not followed exactly, a fire or explosion may result causing property damage, personal injury or death.

- Do not store or use gasoline or other flammable vapors and liquids in the vicinity of this or any other appliance.
- **WHAT TO DO IF YOU SMELL GAS:**
 - Do not try to light any appliance.
 - Do not touch any electrical switch.
 - Do not use any phone in your building.
 - Immediately call your gas supplier from a neighbor's phone. Follow the gas supplier's instructions.
 - If you cannot reach your gas supplier, call the fire department.
- Installation and service must be performed by a qualified installer, service agency or the gas supplier.

WARNING: Gas leaks cannot always be detected by smell.

Gas suppliers recommend that you use a gas detector approved by UL or CSA.

For more information, contact your gas supplier.

If a gas leak is detected, follow the “What to do if you smell gas” instructions.

IMPORTANT: Do not install a ventilation system that blows air downward toward this gas cooking appliance. This type of ventilation system may cause ignition and combustion problems with this gas cooking appliance resulting in personal injury or unintended operation.

In the State of Massachusetts, the following installation instructions apply:

- Installations and repairs must be performed by a qualified or licensed contractor, plumber, or gasfitter qualified or licensed by the State of Massachusetts.
- If using a ball valve, it shall be a T-handle type.
- A flexible gas connector, when used, must not exceed 3 feet.

⚠ WARNING

Tip Over Hazard

A child or adult can tip the range and be killed.

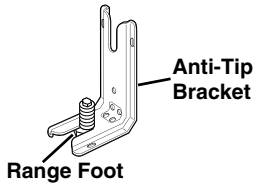
Install anti-tip bracket to floor or wall per installation instructions.

Slide range back so rear range foot is engaged in the slot of the anti-tip bracket.

Re-engage anti-tip bracket if range is moved.

Do not operate range without anti-tip bracket installed and engaged.

Failure to follow these instructions can result in death or serious burns to children and adults.



To verify the anti-tip bracket is installed and engaged:

- Slide range forward.
- Look for the anti-tip bracket securely attached to floor or wall.
- Slide range back so rear range foot is under anti-tip bracket.
- See installation instructions for details.

INSTALLATION REQUIREMENTS

Tools and Parts

Gather the required tools and parts before starting installation. Read and follow the instructions provided with any tools listed here.

Tools needed

- Tape measure
- Phillips screwdriver
- Flat-blade screwdriver
- 1/8" flat-blade screwdriver
- Level
- Hand or electric drill
- Wrench or pliers
- Pipe wrench
- 15/16" combination wrench
- 1/8" (3.2 mm) drill bit (for wood floors)
- Marker or pencil
- Pipe-joint compound resistant to LP gas
- 3/16" (4.8 mm) carbide-tipped masonry drill bit (for concrete/ceramic floors)
- Noncorrosive leak-detection solution

For LP/Natural Gas Conversions

- 1/2" combination wrench
- 1/4" (6 mm) nut driver
- 3/32" (7 mm) nut driver
- Masking tape

Parts supplied

Check that all parts are included.

- LP/Natural Gas Conversion Kit (taped behind access panel)
- 2 - Burner caps
- 3 - Burner grates
- 1 - Air grille
- 3 - Oven racks
- 1 - Metal ground strap (for 3-wire connection)
- Blower motor
- 2 - vent clamps
- Flexible vent
- Flow tester card
- Blower location template
- 4 - #8 x 3/4" screws (for mounting blower motor bracket)
- 2 - #12 x 1 1/8" screws (for mounting anti-tip bracket)
- Anti-tip bracket (taped to package containing literature in oven cavity)

Anti-tip bracket must be securely mounted to the back wall or floor. Thickness of flooring may require longer screws to anchor bracket to subfloor. Longer screws are available from your local hardware store.

Parts needed

- One of the following Jenn-Air wall caps:
 - Jenn-Air® 5" (12.7 cm) Round Surface Wall Cap Damper
Order Part Number A405
 - Jenn-Air® 6" (15.2 cm) Round Surface Wall Cap Damper
Order Part Number A406
 - Jenn-Air® 3 1/4" x 10" (8.3 x 25.4 cm) Surface Wall Cap Damper
Order Part Number A403
- To order, see the "Assistance or Service" section of the Use and Care Guide.
- Metal ducting
 - Vent clamps

- 2 - 2" x 4" x 8 3/4" (5.0 x 10.2 x 22.2 cm) wood spacers (for left or right side venting)
- Concrete anchors (for concrete floor mounting)

Check local codes and consult gas supplier. Check existing gas supply and electrical supply. See "Electrical Requirements" and "Gas Supply Requirements" sections.

Location Requirements

IMPORTANT: Observe all governing codes and ordinances. Do not obstruct flow of combustion and ventilation air.

- It is the installer's responsibility to comply with installation clearances specified on the model/serial rating plate. The model/serial rating plate is located behind the storage drawer on the right-hand side of the oven frame or on the right-hand side of the bottom oven frame, depending on your model.
- The range should be located for convenient use in the kitchen.
- Recessed installations must provide complete enclosure of the sides and rear of the range.
- To eliminate the risk of burns or fire by reaching over heated surface units, cabinet storage space located above the surface units should be avoided. If cabinet storage is to be provided, the risk can be reduced by installing a range hood or microwave hood combination that projects horizontally a minimum of 5" (12.7 cm) beyond the bottom of the cabinets.
- All openings in the wall or floor where range is to be installed must be sealed.
- Cabinet opening dimensions that are shown must be used. Given dimensions are minimum clearances.
- The floor anti-tip bracket must be installed. To install the anti-tip bracket shipped with the range, see "Install Anti-Tip Bracket" section.
- Grounded electrical supply is required. See "Electrical Requirements" section.
- Proper gas supply connection must be available. See "Gas Supply Requirements" section.
- Contact a qualified floor covering installer to check that the floor covering can withstand at least 200°F (93°C).
- Use an insulated pad or 1/4" (0.64 cm) plywood under range if installing range over carpeting.

IMPORTANT: To avoid damage to your cabinets, check with your builder or cabinet supplier to make sure that the materials used will not discolor, delaminate or sustain other damage. This oven has been designed in accordance with the requirements of UL and CSA International and complies with the maximum allowable wood cabinet temperatures of 194°F (90°C).

Mobile Home - Additional Installation Requirements

The installation of this range must conform to the Manufactured Home Construction and Safety Standard, Title 24 CFR, Part 3280 (formerly the Federal Standard for Mobile Home Construction and Safety, Title 24, HUD Part 280). When such standard is not applicable, use the Standard for Manufactured Home Installations, ANSI A225.1/NFPA 501A or with local codes.

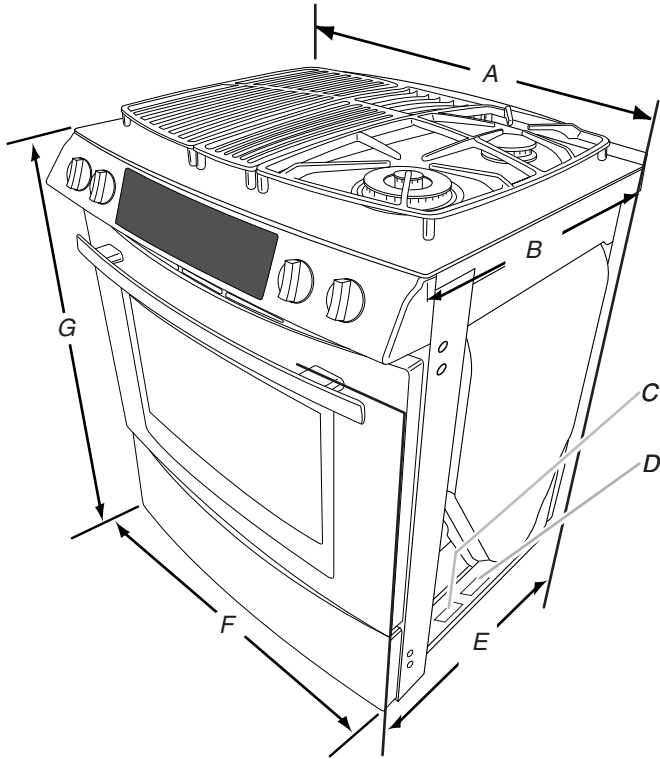
In Canada, the installation of this range must conform with the current standards CAN/CSA-A240-latest edition, or with local codes.

Mobile home installations require:

- When this range is installed in a mobile home, it must be secured to the floor during transit. Any method of securing the range is adequate as long as it conforms to the standards listed above.

Product Dimensions

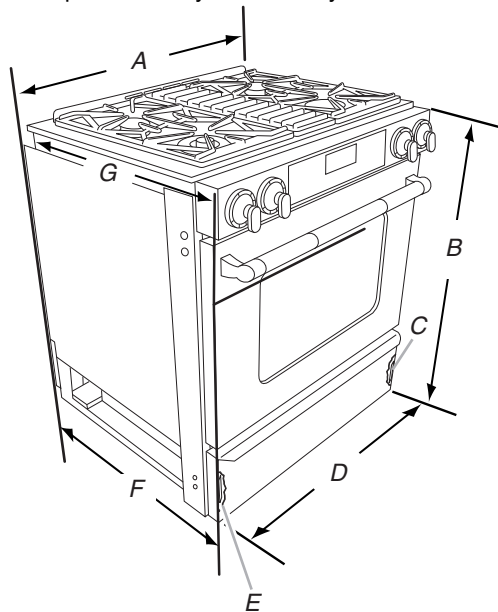
Model JDS9860



- A. 30 $\frac{3}{4}$ " (78.1 cm)
- B. 23" (58.4 cm) countertop notch to rear of cooktop
- C. Gas information plate (located on the right-hand side of the bottom oven frame)
- D. Model/serial number plate (located on the right-hand side of the bottom oven frame)
- E. 29" (73.4 cm) from handle to back of range**
- F. 29 $\frac{7}{8}$ " (75.9 cm)*
- G. 35 $\frac{3}{4}$ " (90.8 cm) height to underside of cooktop edge with leveling legs screwed all the way in*

Model JDS9865

NOTE: Cooktop shown may differ from your model.



- A. 30 $\frac{7}{8}$ " (78.4 cm)
- B. 35 $\frac{3}{4}$ " (90.8 cm) height to underside of cooktop edge with leveling legs screwed all the way in*
- C. Model/serial number plate (located behind the storage drawer on the right-hand side of the oven frame)
- D. 29 $\frac{7}{8}$ " (75.9 cm)
- E. Gas information plate (located behind the storage drawer on the left-hand side of the oven frame)
- F. 29" (73.7 cm) from handle to back of range**
- G. 27" (68.6 cm) from handle to rear of cooktop

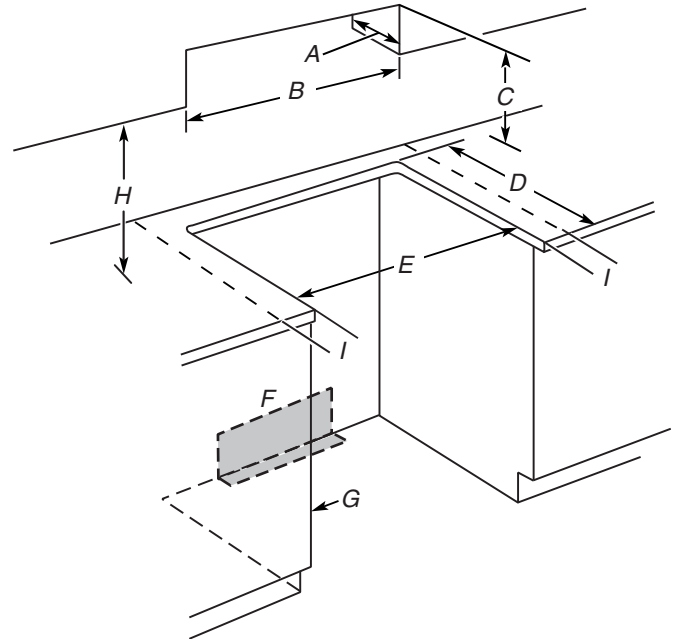
*Range can be raised approximately 1" (2.5 cm) by adjusting the leveling legs.

**When installed in a 24" (61.0 cm) base cabinet with 25" (63.5 cm) countertop; front of oven door protrudes 5" (12.7 cm) beyond 24" (61.0 cm) base cabinet.

Cabinet Dimensions

Cabinet opening dimensions shown are for 25" (64.0 cm) countertop depth, 24" (61.0 cm) base cabinet depth and 36" (91.4 cm) countertop height.

Range may be installed with zero clearance to combustible construction at the rear and on the sides below the cooktop.



- A. 13" (33.0 cm) upper cabinet depth
- B. 30" (76.2 cm) min. opening width
- C. For minimum clearance to the top of the cooktop, see NOTE.
- D. 23 $\frac{1}{4}$ " (59.1 cm) opening depth
- E. 30" (76.2 cm) min. opening width
- F. Electrical and gas supply - 5 $\frac{1}{2}$ " (14.0 cm) min. from either cabinet, 10" (25.4 cm) max. from floor. Nothing located in shaded area can extend more than 2 $\frac{1}{4}$ " (5.7 cm) from back wall or range will not slide all the way back. Grounded outlet must be flush mounted.
- G. Cabinet door or hinge should not extend into cutout.
- H. 18" (45.7 cm)
- I. 3" (7.6 cm) min. clearance from both sides of the range to the side wall or other combustible material.

NOTE: 24" (61.0 cm) minimum when bottom of wood or metal cabinet is shielded by not less than $\frac{1}{4}$ " (0.64 cm) flame retardant millboard covered with not less than No. 28 MSG sheet steel, 0.015" (0.4 mm) stainless steel, 0.024" (0.6 mm) aluminum or 0.020" (0.5 mm) copper.

30" (76.2 cm) minimum clearance between the top of the cooking platform and the bottom of an uncovered wood or metal cabinet.

Venting Requirements

IMPORTANT: This range must be exhausted outdoors. See “Venting Methods” section.

- Do not terminate the vent system in an attic or other enclosed area.
- Use a Jenn-Air wall cap.
- Vent system must terminate to the outside.
- Use only a 6" (15.2 cm) round metal vent or a 3¼" x 10" (8.3 cm x 25.4 cm) rectangular vent, except as follows:
5" (12.7 cm) round metal vent must be used for venting lengths of 10 ft (3.0 m) or less.
- Rigid metal vent is recommended. For best performance, do not use plastic or metal foil vent.
- Before making cutouts, make sure there is proper clearance within the wall or floor for the exhaust vent.
- Do not cut a joist or stud unless absolutely necessary. If a joist or stud must be cut, then a supporting frame must be constructed.
- The size of the vent should be uniform.
- The vent system must have a damper. If roof or wall cap has a damper, do not use damper supplied with the range hood.
- Use vent clamps to seal all joints in the vent system.
- Use caulking to seal exterior wall or roof opening around the cap.
- Determine which venting method is best for your application.

For Best Performance:

- Use 26-gauge minimum galvanized or 25-gauge minimum aluminum metal vent. Poor quality pipe fittings can reduce airflow. Flexible metal vent is not recommended.
NOTE: Local codes may require a heavier gauge material.
- Metal duct may be reduced to 30-gauge galvanized steel or 26-gauge aluminized steel if allowed by local codes. This reduction is based on information in the International Residential Codes Section M1601.1 (2006 edition).
- Do not install 2 elbows together.
- Use no more than three 90° elbows.
- If an elbow is used, install it as far away as possible from the hood's vent motor exhaust opening.
- Make sure there is a minimum of 18" (45.7 cm) of straight vent between the elbows if more than one elbow is used.
- Elbows too close together can cause excess turbulence that reduces airflow.
- Do not use a 5" (12.7 cm) elbow in a 6" (15.2 cm) or 3¼" x 10" (8.3 x 25.4 cm) system.
- Do not reduce to a 5" (12.7 cm) system after using a 6" (15.2 cm) or 3¼" x 10" (8.3 x 25.4 cm) fittings.
- Avoid forming handmade crimps. Handmade crimps may restrict airflow.
- Use a Jenn-Air vent cap for proper performance. If an alternate wall or roof cap is used, be certain the cap size is not reduced and that it has a backdraft damper.
- Use vent clamps to seal all joints in the vent system.
- Use caulking to seal exterior wall or roof opening around the cap.

The length of vent system and number of elbows should be kept to a minimum to provide efficient performance.

The maximum equivalent length of the vent system is 60 ft (18.3 m). For altitudes above 4,500 ft (1272 m), reduce recommended vent run by 20% for best performance.

Cold Weather Installations

An additional backdraft damper should be installed to minimize backward cold air flow and a thermal break installed to minimize conduction of outside temperatures as part of the vent system. The damper should be on the cold air side of the thermal break.

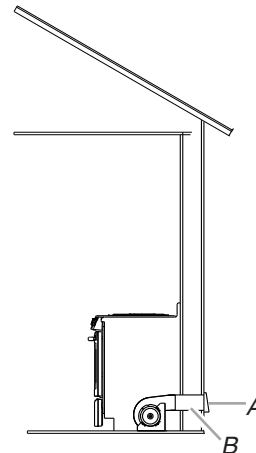
Makeup Air

Local building codes may require the use of makeup air systems when using ventilation systems greater than specified CFM of air movement. The specified CFM varies from locale to locale. Consult your HVAC professional for specific requirements in your area.

Venting Methods

Common venting methods are shown for a downdraft range. The downdraft range may be vented through the wall or floor.

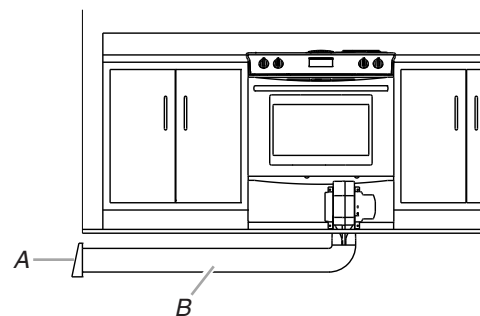
Wall Venting



A. Wall cap
B. 6" (15.2 cm) round roof venting

Floor Venting

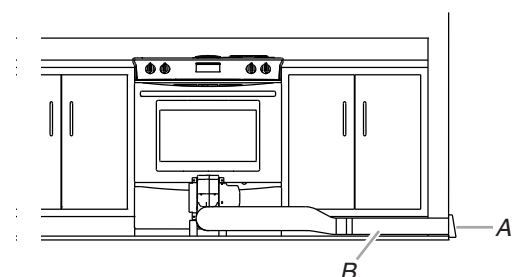
Venting Between Floor Joists



A. Wall cap
B. 6" (15.2 cm) round roof venting

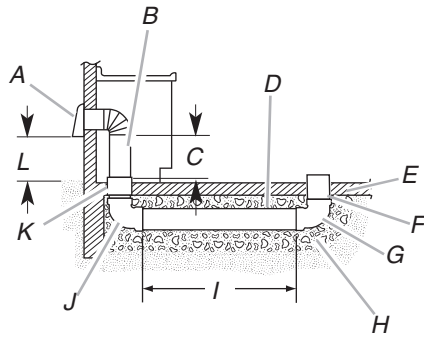
Left or Right Side Venting

Venting Behind Cabinet Kickplate



A. Wall cap
B. 6" (15.2 cm) round roof venting

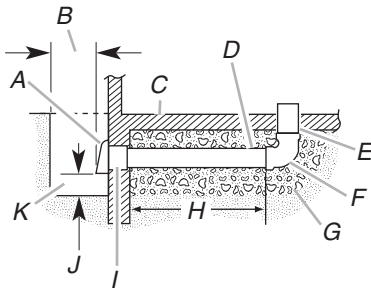
Concrete Slab Installations - Exhaust Through Wall



- A. Wall cap
- B. 6" (15.2 cm) round metal vent
- C. 16" (40.6 cm) maximum
- D. 6" (15.2 cm) round PVC sewer pipe
- E. Concrete slab
- F. 6" (15.2 cm) round PVC sewer pipe
- G. 6" (15.2 cm) round 90° PVC sewer pipe elbow
- H. Tightly pack gravel or sand completely around pipe.
- I. 30 ft (9.1 m) max.
- J. 6" (15.2 cm) round 90° PVC sewer pipe elbow
- K. 6" (15.2 cm) round PVC coupling
- L. 12" (30.5 cm) minimum




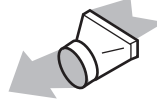

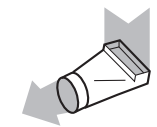
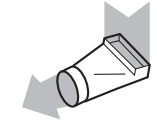
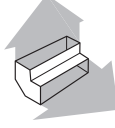
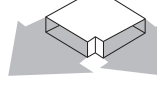
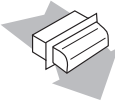
Concrete Slab Installations - Exhaust Through Window Well

IMPORTANT: Window well installation for electric models only.



- A. Wall cap
- B. 12" (30.5 cm) minimum
- C. Concrete slab
- D. 6" (15.2 cm) round PVC sewer pipe
- E. 6" (15.2 cm) round PVC sewer pipe
- F. 6" (15.2 cm) round 90° PVC sewer pipe elbow
- G. Tightly pack gravel or sand completely around pipe.
- H. 42 ft (12.8 m) max.
- I. 6" (15.2 cm) round PVC coupling
- J. 6" (15.2 cm) minimum
- K. Window well

To calculate the length of the system you need, add the equivalent feet (meters) for each vent piece used in the system.

Vent Piece	6" (15.2 cm) Round	
45° elbow	2.5 ft (0.8 m)	
90° elbow	5.0 ft (1.5 m)	
6" (15.2 cm) wall cap	0.0 ft (0.0 m)	
3 1/4" x 10" (8.3 cm x 25.4 cm) to 6" (15.2 cm) transition	4.5 ft (1.4 m)	
6" (15.2 cm) to 3 1/4" x 10" (8.3 cm x 25.4 cm) transition	1 ft (0.3 m)	
3 1/4" x 10" (8.3 cm x 25.4 cm) to 6" (15.2 cm) 90° elbow transition	5.0 ft (1.5 m)	
6" (15.2 cm) to 3 1/4" x 10" (8.3 cm x 25.4 cm) 90° elbow transition	5.0 ft (1.5 m)	
3 1/4" x 10" (8.3 cm x 25.4 cm) 90° elbow	5.0 ft (1.5 m)	
3 1/4" x 10" (8.3 cm x 25.4 cm) flat elbow	12.0 ft (3.7 m)	
3 1/4" x 10" (8.3 cm x 25.4 cm) wall cap	0.0 ft (0.0 m)	

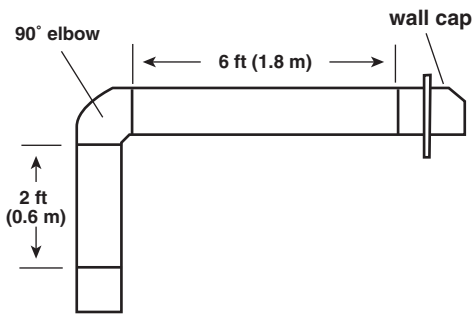
Calculating Vent System Length

IMPORTANT: This range is rated at 60 ft (18.3 m) of straight duct. Low range is up to 30 ft (9.1 m); high range is 31 ft (9.4 m) to 60 ft (18.3 m).

If equivalent duct length exceeds 30 ft (9.1 m), the blower must be converted to high range.

- Do not convert to high range for shorter lengths. This will cause excessive noise, conditioned air loss and affect the flame pattern on gas ranges.
- To convert blower for high range installations, see the "Install Downdraft System" section.

Example vent system



Maximum length = 60 ft (18.3 m)

1- 90° elbow	= 5 ft (1.5 m)
8 ft (2.4 m) straight	= 8 ft (2.4 m)
1 - wall cap	= 0 ft (0 m)
System length	= 13 ft (3.9 m)

NOTE: For external venting, flexible vent is not recommended. Flexible vent creates back pressure and air turbulence that greatly reduce performance.

Electrical Requirements - U.S.A. Only

The electrical connection to this range is designed only for use with a flexible power cord. All ranges are shipped with a specially designed 4-wire power supply cord. This cord should be used on all new branch circuits, mobile homes and when local codes prohibit grounding through the neutral. For a 3-wire power supply cord replacement, service kit Part Number 74011285 must be used.

If codes permit and a separate ground wire is used, it is recommended that a qualified electrical installer determine that the ground path and wire gauge are in accordance with local codes.

Do not use an extension cord.

Be sure that the electrical connection and wire size are adequate and in conformance with the National Electrical Code, ANSI/NFPA 70-latest edition and all local codes and ordinances.

A copy of the above code standards can be obtained from:

National Fire Protection Association
1 Batterymarch Park
Quincy, MA 02169-7471

WARNING: Improper connection of the equipment-grounding conductor can result in a risk of electric shock. Check with a qualified electrician or service technician if you are in doubt as to whether the appliance is properly grounded. Do not modify the power supply cord plug. If it will not fit the outlet, have a proper outlet installed by a qualified electrician.

Electrical Connection

To properly install your range, you must determine the type of electrical connection you will be using and follow the instructions provided for it here.

- Range must be connected to the proper electrical voltage and frequency as specified on the model/serial number rating plate. The model/serial rating plate is located behind the storage or warming drawer on the right-hand side of the oven frame or on the right-hand side of the bottom oven frame, depending on your model. Refer to the figures in the "Product Dimensions" section of the "Location Requirements" section.
- This range is manufactured with a 4-wire 40-amp power cord. For a 3-wire connection order UL listed power cord Part Number 74011285.

Range Rating*		Specified Rating of Power Supply Cord Kit and Circuit Protection
120/240 Volts	120/208 Volts	Amps
8.8 - 16.5 KW	7.8 - 12.5 KW	40 or 50**
16.6 - 22.5 KW	12.6 - 18.5 KW	50

*The NEC calculated load is less than the total connected load listed on the model/serial rating plate.

**If connecting to a 50-amp circuit, use a 50-amp rated cord with kit. For 50-amp rated cord kits, use kits that specify use with a nominal 1 $\frac{3}{8}$ " (34.9 mm) diameter connection opening.

- A circuit breaker is recommended.
- Wire sizes and connections must conform with the rating of the range.
- The wiring diagram is located at the back of the warming drawer.

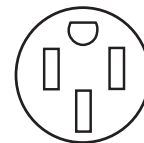
If connecting to a 4-wire system:

The green ground wire of the 4-wire power supply cord must be connected to the cabinet. See "Electrical Connection" section.

Grounding through the neutral conductor is prohibited for new branch-circuit installations (1996 NEC); mobile homes; and recreational vehicles, or an area where local codes prohibit grounding through the neutral conductor.

When a 4-wire receptacle of NEMA Type 14-50R is used, a matching UL listed, 4-wire, 250-volt, 40- or 50-amp, range power supply cord (pigtail) must be used. This cord contains 4 copper conductors with ring terminals or open-end spade terminals with upturned ends, terminating in a NEMA Type 14-50P plug on the supply end.

The fourth (grounding) conductor must be identified by a green or green/yellow cover and the neutral conductor by a white cover. Cord should be Type SRD or SRDT with a UL listed strain relief and be at least 4 ft (1.22 m) long.



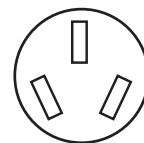
4-wire receptacle (14-50R)

The minimum conductor sized for the copper 4-wire power cord are:

- 40-amp circuit
- 2 No.-8 conductors
- 1 No.-10 white neutral
- 1 No.-8 green grounding

If connecting to a 3-wire system:

Local codes may permit the use of a UL listed, 3-wire, 250-volt, 40- or 50-amp range power supply cord (pigtail). Order UL listed 3-wire power cord Part Number 74011285. This cord contains 3 copper conductors with ring terminals or open-end spade terminals with upturned ends, terminating in a NEMA Type 10-50P plug on the supply end. Connectors on the appliance end must be provided at the point the power supply cord enters the appliance. This uses a 3-wire receptacle of NEMA Type 10-50R. For a 3-wire power supply cord replacement, service kit Part Number 74011285 must be used.



3-wire receptacle (10-50R)

Electrical Requirements - Canada Only

⚠ WARNING



Electrical Shock Hazard

Electrically ground range.

Failure to do so can result in death, fire, or electrical shock.

If codes permit and a separate ground wire is used, it is recommended that a qualified electrical installer determine that the ground path is adequate and wire gauge are in accordance with local codes.

Be sure that the electrical connection and wire size are adequate and in conformance with CSA Standard C22.1, Canadian Electrical Code, Part 1 - latest edition, and all local codes and ordinances.

A copy of the above code standards can be obtained from:

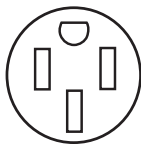
Canadian Standards Association
178 Rexdale Blvd.
Toronto, ON M9W 1R3 CANADA

- Check with a qualified electrical installer if you are not sure the range is properly grounded.

Range Rating*		Rating of Power Supply Cord	Circuit Protection
120/240 Volts	120/208 Volts	Amps	Amps
8.8 - 16.5 KW	7.8 - 12.5 KW	40	40 or 50
16.6 - 22.5 KW	12.6 - 18.5 KW	50	50

*The NEC calculated load is less than the total connected load listed on the model/serial rating plate.

- A time-delay fuse or circuit breaker is recommended.
- This range is equipped with a CSA International Certified Power Cord intended to be plugged into a standard 14-50R wall receptacle. Be sure the wall receptacle is within reach of range's final location.



- Do not use an extension cord.

Gas Supply Requirements

⚠ WARNING



Explosion Hazard

Use a new CSA International approved gas supply line.

Install a shut-off valve.

Securely tighten all gas connections.

If connected to LP, have a qualified person make sure gas pressure does not exceed 14" (36 cm) water column.

Examples of a qualified person include:

**licensed heating personnel,
authorized gas company personnel, and
authorized service personnel.**

Failure to do so can result in death, explosion, or fire.

Observe all governing codes and ordinances.

IMPORTANT: This installation must conform with all local codes and ordinances. In the absence of local codes, installation must conform with American National Standard, National Fuel Gas Code ANSI Z223.1 - latest edition or CAN/CGA B149 - latest edition.

IMPORTANT: Leak testing of the range must be conducted according to the manufacturer's instructions.

Type of Gas

Natural gas:

This range is design-certified by CSA International for use with Natural gas or, after proper conversion, for use with LP gas.

- This range is factory set for use with Natural gas. See "Gas Conversions" section. The gas information plate (located behind the warming or storage drawer on the side of the oven frame or on the side of the bottom oven frame, depending on your model) has information on the types of gas that can be used. If the types of gas listed do not include the type of gas available, check with the local gas supplier.

LP gas conversion:

Conversion must be done by a qualified service technician.

No attempt shall be made to convert the appliance from the gas specified on the model/serial rating plate for use with a different gas without consulting the serving gas supplier. See "Gas Conversions" section.

Gas Supply Line

- Provide a gas supply line of 3/4" (1.9 cm) rigid pipe to the range location. A smaller size pipe on longer runs may result in insufficient gas supply. With LP gas, piping or tubing size can be 1/2" (1.3 cm) minimum. Usually, LP gas suppliers determine the size and materials used in the system.

NOTE: Pipe-joint compounds that resist the action of LP gas must be used. Do not use TEFLON^{®†} tape.

†TEFLON is a registered trademark of E.I. Du Pont De Nemours and Company.

Flexible metal appliance connector:

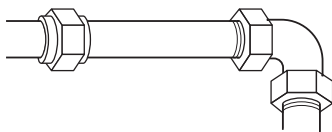
- If local codes permit, a new CSA design-certified, 4 to 5 ft (122 to 152.4 cm) long, 1/2" (1.3 cm) or 3/4" (1.9 cm) I.D., flexible metal appliance connector may be used for connecting range to the gas supply line.



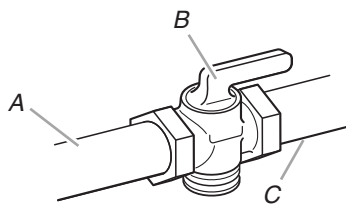
- A 1/2" (1.3 cm) male pipe thread is needed for connection to the female pipe threads of the inlet to the appliance pressure regulator.
- Do not kink or damage the flexible metal tubing when moving the range.

Rigid pipe connection:

The rigid pipe connection requires a combination of pipe fittings to obtain an in-line connection to the range. The rigid pipe must be level with the range connection. All strains must be removed from the supply and fuel lines so range will be level and in line.



- Must include a shutoff valve:
The supply line must be equipped with a manual shutoff valve. This valve should be located in the same room but external to the range opening, such as an adjacent cabinet. It should be in a location that allows ease of opening and closing. Do not block access to shutoff valve. The valve is for turning on or shutting off gas to the range.



A. Gas supply line
B. Shutoff valve "open" position
C. To range

Gas Pressure Regulator

The gas pressure regulator supplied with this range must be used. The inlet pressure to the regulator should be as follows for proper operation:

Natural gas:

Minimum pressure: 5" WCP
Maximum pressure: 14" WCP

LP gas:

Minimum pressure: 11" WCP
Maximum pressure: 14" WCP

Contact local gas supplier if you are not sure about the inlet pressure.

Burner Input Requirements

Input ratings shown on the model/serial rating plate are for elevations up to 2,000 ft (609.6 m).

For elevations above 2,000 ft (609.6 m), ratings are reduced at a rate of 4% for each 1,000 ft (304.8 m) above sea level (not applicable for Canada).

Gas Supply Pressure Testing

Gas supply pressure for testing regulator must be at least 1" water column pressure above the manifold pressure shown on the model/serial rating plate.

Line pressure testing above 1/2 psi gauge (14" WCP)

The range and its individual shutoff valve must be disconnected from the gas supply piping system during any pressure testing of that system at test pressures in excess of 1/2 psi (3.5 kPa).

Line pressure testing at 1/2 psi gauge (14" WCP) or lower

The range must be isolated from the gas supply piping system by closing its individual manual shutoff valve during any pressure testing of the gas supply piping system at test pressures equal to or less than 1/2 psi (3.5 kPa).

Countertop Preparation

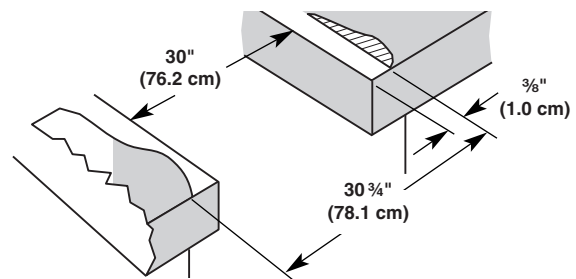
(for Slide-in Ranges Only)

The cooktop sides of the slide-in range fit over the cutout edge of your countertop.

If you have a square finish (flat) countertop and the opening width is 30" (76.2 cm), no countertop preparation is required.

Formed front-edged countertops must have molded edge shaved flat 3/8" (1.0 cm) from each front corner of opening.

Tile countertops may need trim cut back 3/8" (1.0 cm) from each front corner and/or rounded edge flattened.



If countertop opening width is greater than 30" (76.2 cm), adjust the 3/8" (1.0 cm) dimension.

Countertop must be level. Place level on countertop, first side to side, then front to back. If countertop is not level, range will not be level. Range must be level for satisfactory baking conditions.

INSTALLATION INSTRUCTIONS

Unpack Range

⚠ WARNING

Excessive Weight Hazard

Use two or more people to move and install range.
Failure to do so can result in back or other injury.

1. Remove shipping materials, tape and film from the range. Keep cardboard bottom under range.
2. Remove oven racks and parts package from inside oven.
3. To remove cardboard bottom, place range on its back, take 4 cardboard corners from the carton. Stack one cardboard corner on top of another. Repeat with the other 2 corners. Place them lengthwise on the floor behind the range to support the range when it is laid on its back.
4. Using 2 or more people, firmly grasp the range and gently lay it on its back on the cardboard corners.
5. Pull cardboard bottom firmly to remove.
6. Use an adjustable wrench to loosen the leveling legs.
7. Place cardboard or hardboard in front of range. Using 2 or more people, stand range back up onto cardboard or hardboard.

Adjust Leveling Legs

1. If range height adjustment is necessary, use a wrench or pliers to loosen the 4 leveling legs.
This may be done with the range on its back or with the range supported on 2 legs after the range has been placed back to a standing position.
NOTE: To place range back up into a standing position, put a sheet of cardboard or hardboard in front of range. Using 2 or more people, stand range back up onto the cardboard or hardboard.

⚠ WARNING



Tip Over Hazard

A child or adult can tip the range and be killed.

Install anti-tip bracket to floor or wall per installation instructions.

Slide range back so rear range foot is engaged in the slot of the anti-tip bracket.

Re-engage anti-tip bracket if range is moved.

Do not operate range without anti-tip bracket installed and engaged.

Failure to follow these instructions can result in death or serious burns to children and adults.

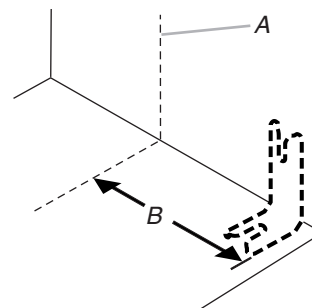
2. Adjust the leveling legs to the correct height. Leveling legs can be loosened to add up to a maximum of 1" (2.5 cm). A minimum of $\frac{3}{16}$ " (5 mm) is needed to engage the anti-tip bracket.

NOTE: If height adjustment is made when range is standing, tilt the range back to adjust the front legs, then tilt forward to adjust the rear legs.

3. When the range is at the correct height, check that there is adequate clearance under the range for the anti-tip bracket. Before sliding range into its final location, check that the anti-tip bracket will slide under the range and onto the rear leveling leg prior to anti-tip bracket installation.

Install Anti-Tip Bracket

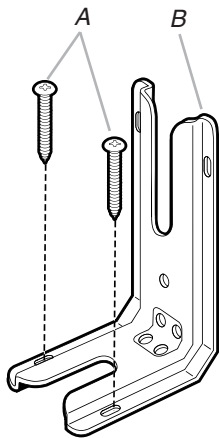
1. Remove the anti-tip bracket that is taped to the package containing literature.
2. Determine which mounting method to use: floor or wall.
If you have a stone or masonry floor, you can use the wall mounting method.
3. Determine and mark centerline of the cutout space. The mounting bracket can be installed on either the left side or right side of the cutout. Position mounting bracket in cutout so that right (or left) edge of the bracket is $14\frac{1}{4}$ " (36.2 cm) from centerline, as shown.



A. Centerline
B. $14\frac{1}{4}$ " (36.2 cm)

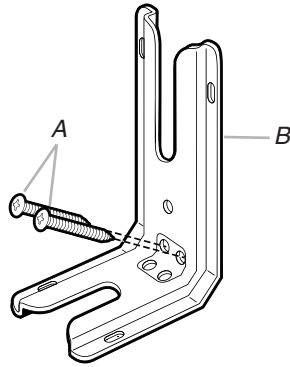
- Drill two $\frac{1}{8}$ " (3 mm) holes that correspond to the bracket holes of the determined mounting method. See the following illustrations.

Floor Mounting



A. #12 x $1\frac{1}{8}$ " screws
B. Anti-tip bracket

Wall Mounting



A. #12 x $1\frac{1}{8}$ " screws
B. Anti-tip bracket

- Using the Phillips screwdriver, mount anti-tip bracket to the wall or floor with the two #12 x $1\frac{1}{8}$ " screws provided.

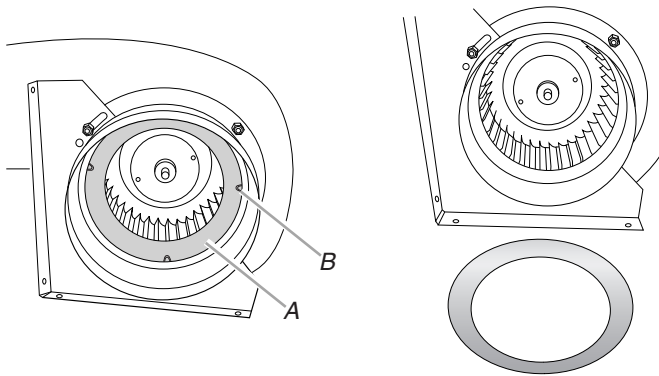
Install Downdraft System

Determine Equivalent Length of Vent System

This range is equipped with a dual range blower. It is shipped from the factory for Low Range installations. If vent system equivalent length exceeds 30 ft (9.1 m), the downdraft blower motor must be converted to High Range for best performance. See "Calculating Vent System Length" section.

To Convert:

Gently remove the spring loaded Restrictor Ring from the blower inlet by pressing one of the 3 springs.

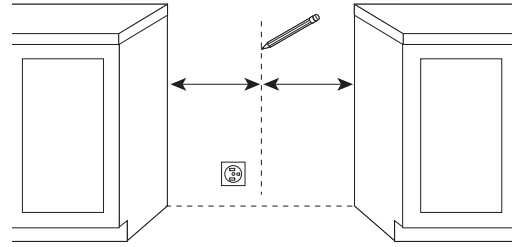


A. Restrictor ring
B. Spring

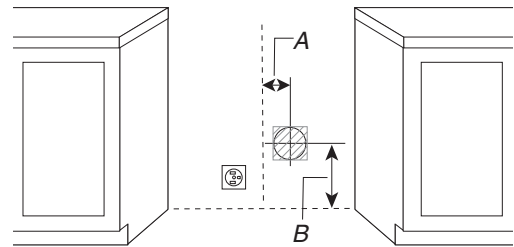
Determine which venting method to use: floor, rear wall, or left or right side venting. Go to the section for your type of venting.

Rear Wall Venting

- Mark the wall at the center of the cabinet opening.

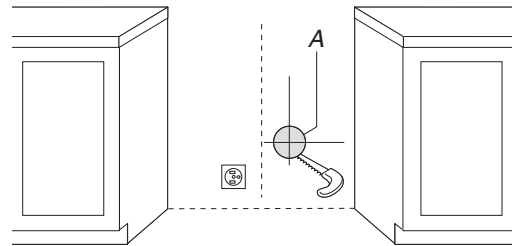


- Check for obstructions before marking the vent hole location. Mark a horizontal line $8\frac{3}{16}$ " (20.8 cm) from the floor. Mark a vertical line up to a maximum of $2\frac{1}{4}$ " (7.9 cm) from the right side of the cabinet centerline.



A. Maximum $2\frac{1}{4}$ " (7.9 cm) from the right of center
B. $8\frac{3}{16}$ " (20.8 cm) from floor

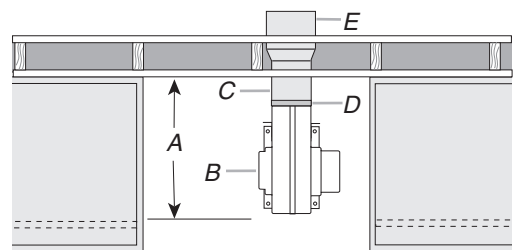
- Draw and cut a $6\frac{1}{4}$ " (15.8 cm) diameter hole.



A. $6\frac{1}{4}$ " (15.8 cm)

- Position blower motor in cabinet opening. Connect vent system to blower motor outlet using a vent clamp.

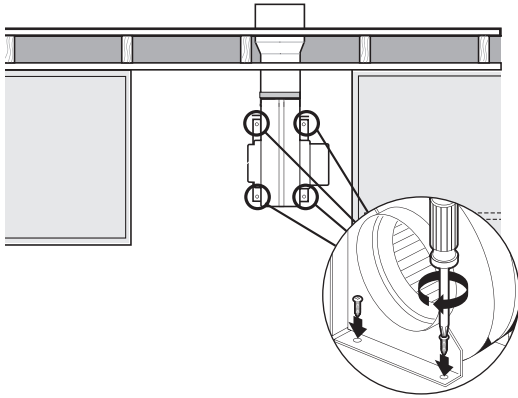
Top View



A. $18\frac{3}{4}$ " (47.6 cm) maximum from back wall forward into cabinet opening
B. Inlet
C. Vent system
D. Vent clamp
E. Wall vent

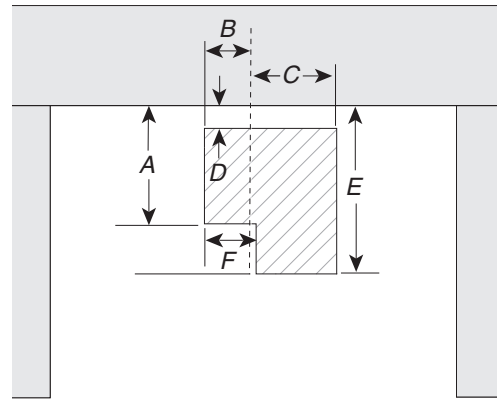
- Mount blower motor to the floor with 4 - #8 x 3/4" hex head screws provided.

Top View



NOTE: If the template is misplaced, the following measurements can be used to determine the vent hole location.

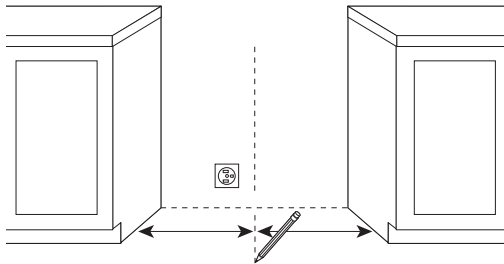
Top View



- Go to the "Electrical Connection" section.

Floor Venting

- Mark the floor at the center of the cabinet opening.

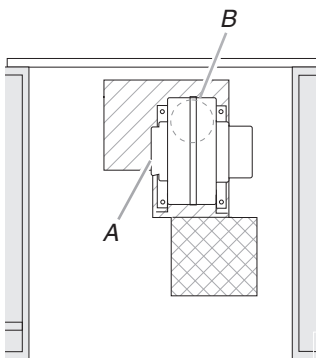


- Position template on floor by matching the centerline of the template to the centerline drawn on the floor and place template 2 1/4" (5.7 cm) from the back wall.
- Determine the correct position for the vent hole, depending on obstructions (joists) in the floor.

The hole can be cut anywhere within the boundaries of the larger hatched area.

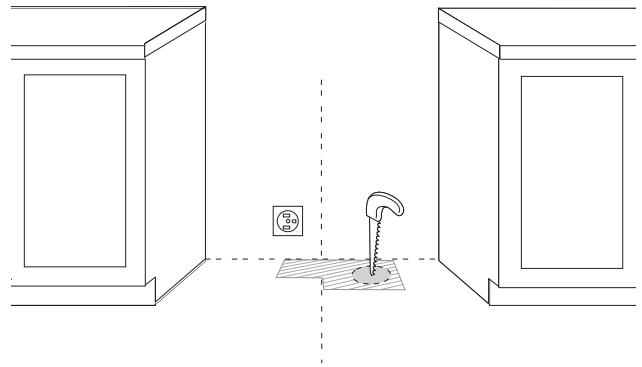
The blower inlet must face the left side as shown on the template.

Top View



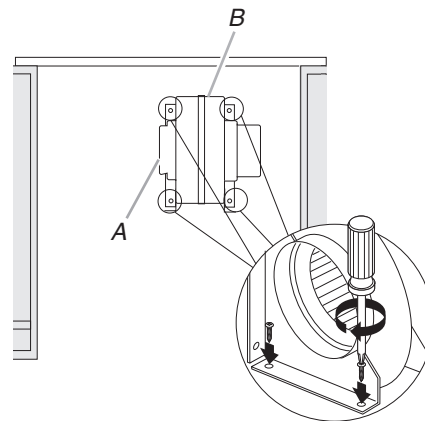
A. Inlet from range
B. Exhaust outlet

- Draw and cut a 6 1/4" (15.8 cm) diameter hole.



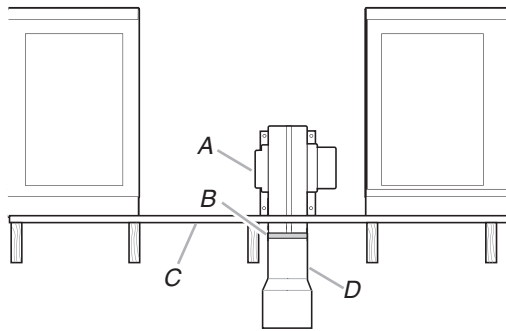
- Position blower motor in cabinet opening and mount blower motor to the floor.

Top View



A. Inlet from range
B. Exhaust outlet

- Connect vent system to blower motor outlet (option 1 shown) with 4 - #8 x 3/4" hex head screws provided.

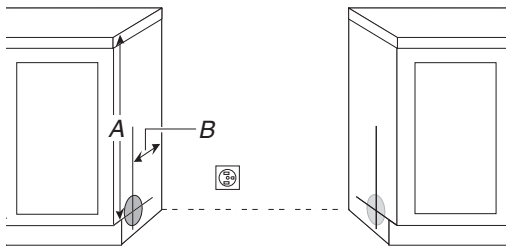


A. Inlet
B. Vent clamp
C. Floor
D. Vent system

- Go to the "Electrical Connection" section.

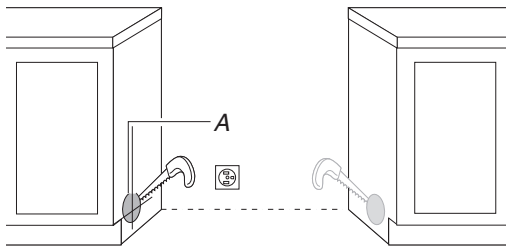
Left or Right Side Venting

- Mark cabinet side for either a left or right side vent hole location.



A. 31 3/16" (79.2 cm) to top of cabinet
B. 18" (45.7 cm) from back wall

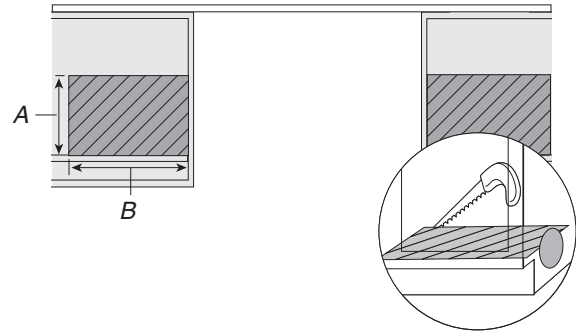
- Mark and cut a 5 1/2" (13.9 cm) diameter hole in the desired cabinet side.



A. 5 1/2" (13.9 cm) diameter hole

- Mark and cut a 14" x 11" (35.6 x 27.9 cm) opening in the floor of the same cabinet as the vent hole opening.

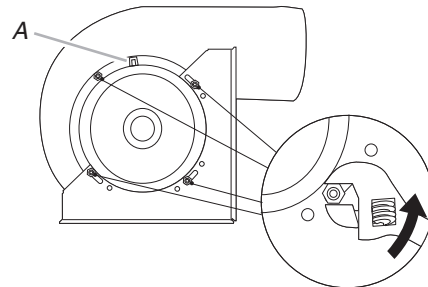
Top View



A. 11" (27.9 cm) from front of cabinet
B. 14" (35.6 cm) from left side of cabinet

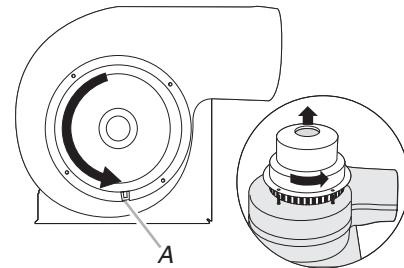
- Remove 4 locknuts on the motor side of the blower and remove the bracket.

View from Motor Side of Blower



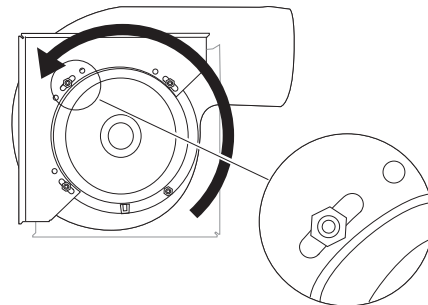
A. Electrical connector

- Lift and rotate the motor 180° to reposition the electrical connection.

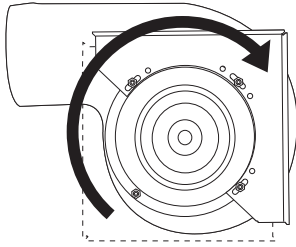


A. Electrical connector

- Rotate bracket 180° and secure with 4 locknuts.

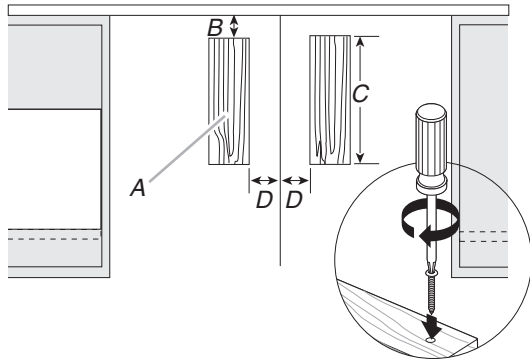


- Remove the bracket from the other side of the blower motor, rotate 180° and secure with 4 locknuts.



- Position 2 wood spacers and mount them to the floor.

Top View

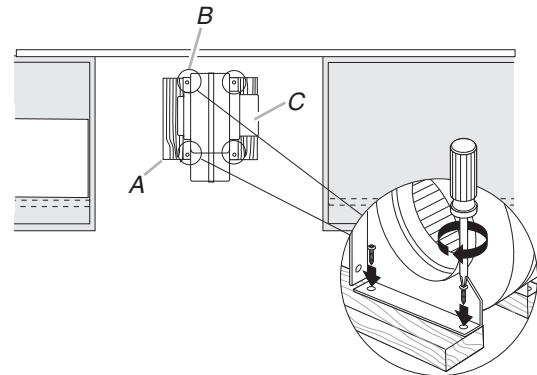


- A. 2" x 4" (5.0 x 10.2 cm) wood spacers
- B. 2⁷/₈" (7.3 cm) from back wall to edge of wood spacer
- C. 8³/₄" (22.2 cm)
- D. 2⁵/₁₆" (5.8 cm) centerline of opening to wood spacer

- Mount blower motor to wood spacers using 4 - #8 x 3/4" hex head screws provided.

NOTE: Vent system will be connected after range has been moved into it's final location. "See Connect Range to Downdraft System" section.

Top View



- A. Wood spacers
- B. Mounting bracket
- C. Blower

- Go to the "Electrical Connection" section.

Electrical Connection - U.S.A. Only

Power Supply Cord (optional)

This range is shipped with a specially designed 4-wire power supply cord. This cord should be used on all new branch circuits, mobile homes and when local codes prohibit grounding through the neutral. For a 3-wire power supply cord replacement, service kit Part Number 74011285 must be used.

⚠ WARNING



Electrical Shock Hazard

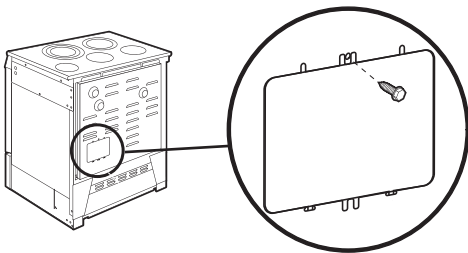
Disconnect power before servicing.

Use a new 40 amp power supply cord.

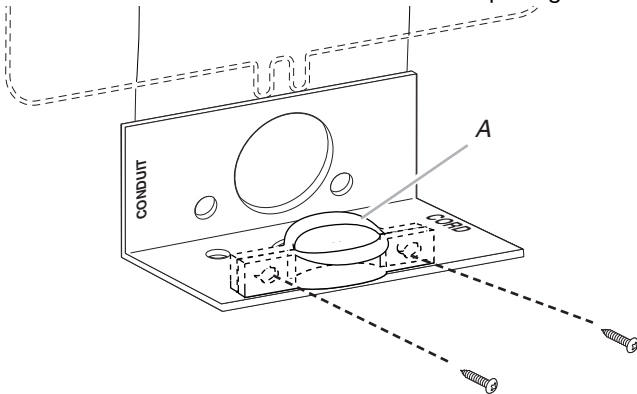
Plug into a grounded outlet.

Failure to follow these instructions can result in death, fire, or electrical shock.

1. Disconnect power.
2. Use Phillips screwdriver to remove the terminal block cover screw located on the back of the range. Pull cover down and toward you to remove cover.

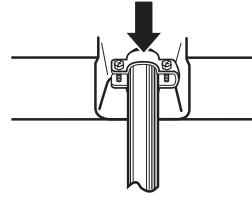


3. Add strain relief.
 - Assemble a UL listed strain relief in the opening.

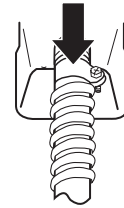


A. UL listed strain relief

- Feed the power supply cord through the opening in the cord/conduit plate on bottom of range. Allow enough slack to easily attach the wiring to the terminal block.
- Tighten strain relief screw against the power supply cord.

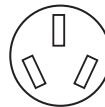
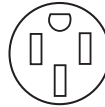


- Feed the flexible conduit through the strain relief, allowing enough slack to easily attach wiring to the terminal block.
- Tighten strain relief screw against the flexible conduit.



Electrical Connection Options

If your home has:	And you will be connecting to:	Go to Section:
4-wire receptacle (NEMA type 14-50R)	A UL listed, 250-volt minimum, 40-amp, range power supply cord	4-wire connection: Power supply cord
3-wire receptacle (NEMA type 10-50R)	A UL listed, 250-volt minimum, 40-amp, range power supply cord	3-wire connection: Power supply cord

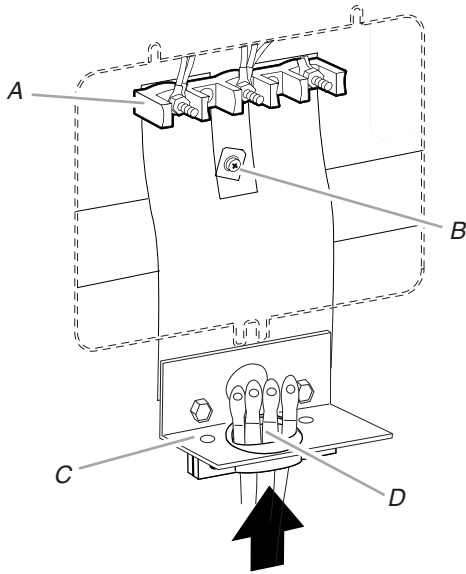


4-wire connection: Power Supply Cord

Use this method for:

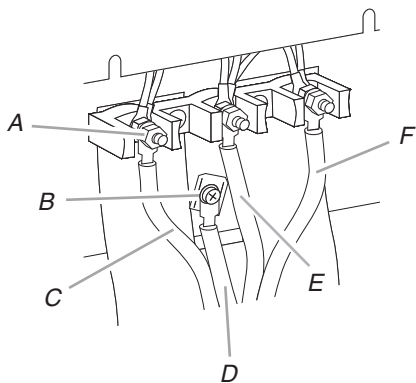
- New branch-circuit installations (1996 NEC)
- Mobile homes
- Recreational vehicles
- In an area where local codes prohibit grounding through the neutral

1. Feed the power supply cord through the opening in the cord/conduit plate on bottom of range. Allow enough slack to easily attach the wiring to the terminal block.



A. Terminal block
B. Ground-link screw
C. Cord/conduit plate
D. Power supply cord wires

2. Use Phillips screwdriver to connect the green ground wire from the power supply cord to the range with the ground-link screw. The ground wire must be attached first.
3. Use $\frac{3}{8}$ " nut driver to connect the neutral (white) wire to the center terminal block post with one of the 10-32 hex nuts.



A. 10-32 hex nut
B. Ground-link screw
C. Line 1 (black)
D. Green ground wire
E. Neutral (center) wire
F. Line 2 (red)

4. Connect line 1 (black) and line 2 (red) wires to the outer terminal block posts with 10-32 hex nuts.
5. Securely tighten hex nuts.

NOTE: For power supply cord replacement, only use a power cord rated at 250 volts minimum, 40 amps or 50 amps that is marked for use with nominal $1\frac{3}{8}$ " (3.5 cm) diameter connection opening, with ring terminals and marked for use with ranges. For a 3-wire power supply cord replacement, service kit Part Number 74011285 must be used.

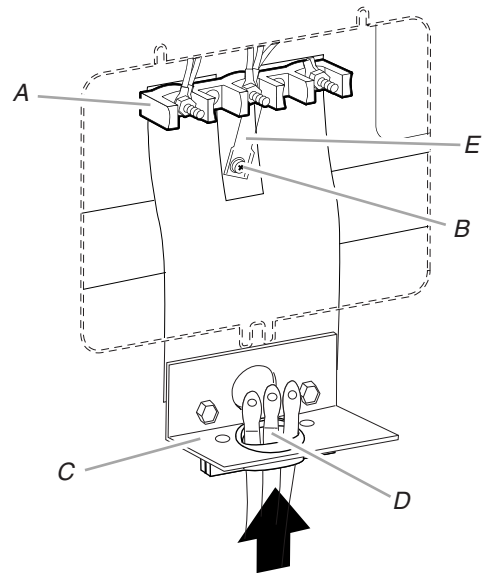
6. Replace terminal block access cover.

3-wire connection: Power Supply Cord (optional)

NOTE: For power supply cord replacement, only use a power cord rated at 250 volts minimum, 40 amps or 50 amps that is marked for use with nominal $1\frac{3}{8}$ " (3.5 cm) diameter connection opening, with ring terminals and marked for use with ranges.

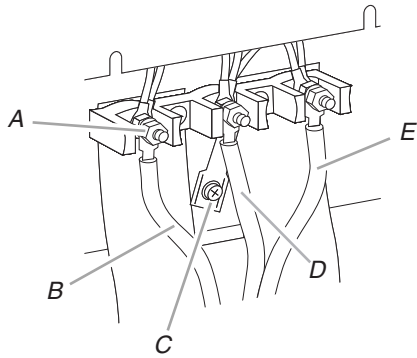
Use this method only if local codes permit connecting chassis ground conductor to neutral wire of power supply cord.

1. Feed the power supply cord through the opening in the cord/conduit plate on bottom of range. Allow enough slack to easily attach the wiring to the terminal block.



A. Terminal block
B. Ground-link screw
C. Cord/conduit plate
D. Power supply cord wires
E. Metal ground strap

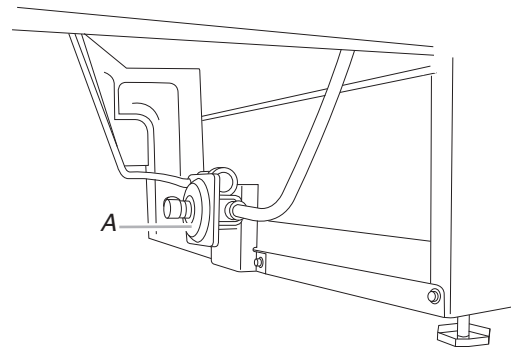
- Use $\frac{3}{8}$ " nut driver to connect the neutral (white) wire and copper ground strap provided to the center terminal block post with one of the 10-32 hex nuts. The opposite end of the copper ground strap should be secured to the oven back with the green ground-link screw.



A. 10-32 hex nut
 B. Line 1 (black)
 C. Ground-link screw
 D. Neutral (white) wire
 E. Line 2 (red)

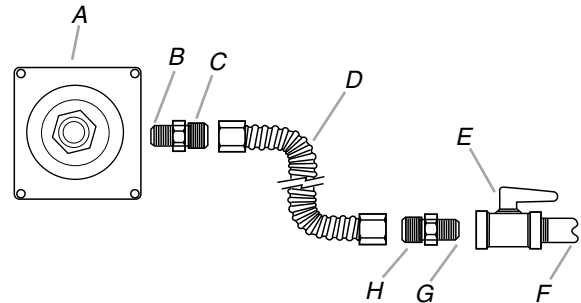
- Connect line 1 (black) and line 2 (red) wires to the outer terminal block posts with 10-32 hex nuts.
- Securely tighten hex nuts.
- Replace terminal block access cover.

- Locate gas pressure regulator behind access panel.



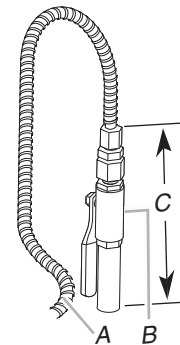
A. Gas pressure regulator

- Apply pipe-joint compound made for use with LP gas to the smaller thread ends of the flexible connector adapters (see B and G in the following illustration).
- Attach one adapter to the gas pressure regulator and the other adapter to the gas shutoff valve. Tighten both adapters.
- Use a $1\frac{5}{16}$ " combination wrench and an adjustable wrench to attach the flexible connector to the adapters. Check that connector is not kinked.



A. Gas pressure regulator
 B. Use pipe-joint compound.
 C. Adapter (must have $\frac{1}{2}$ " male pipe thread)
 D. Flexible connector
 E. Manual gas shutoff valve
 F. $\frac{1}{2}$ " or $\frac{3}{4}$ " gas pipe
 G. Use pipe-joint compound.
 H. Adapter

- Gas supply pipe must not be more than 10" (25.4 cm) above the floor.



A. Flexible connector
 B. Manual shutoff valve
 C. 10" (25.4 cm) max. straight pipe

Make Gas Connection

⚠ WARNING



Explosion Hazard

Use a new CSA International approved gas supply line.

Install a shut-off valve.

Securely tighten all gas connections.

If connected to LP, have a qualified person make sure gas pressure does not exceed 14" (36 cm) water column.

Examples of a qualified person include:

licensed heating personnel,
 authorized gas company personnel, and
 authorized service personnel.

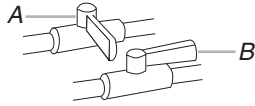
Failure to do so can result in death, explosion, or fire.

Typical flexible connection

- Open access panel by grasping sides and pulling upward, lifting out.

Complete Connection

1. Open the manual shutoff valve in the gas supply line. The valve is open when the handle is parallel to the gas pipe.

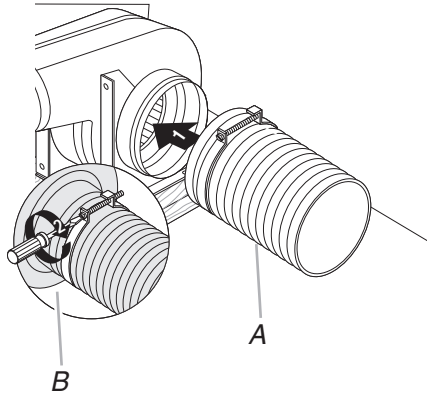


A. Closed valve
B. Open valve

2. Test all connections by brushing on an approved noncorrosive leak-detection solution. If bubbles appear, a leak is indicated. Correct any leak found.
3. Remove cooktop burner caps and grates from package containing parts. Align recess in burner caps with pins in burner base. Burner caps should be level when properly positioned. If burner caps are not properly positioned, surface burners will not light. Place burner grates over burners and caps.

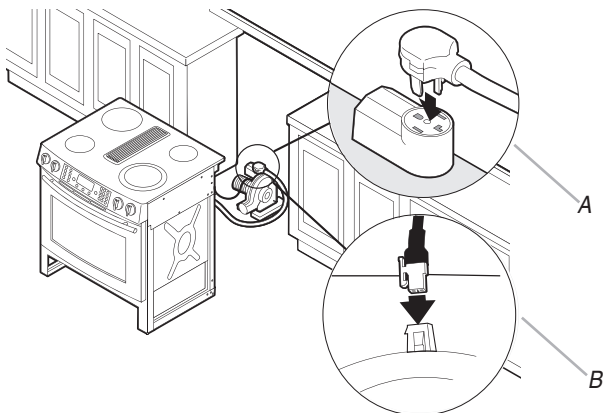
Connect Range to Downdraft System

1. Attach flexible vent (provided) to the blower motor inlet using a vent clamp.



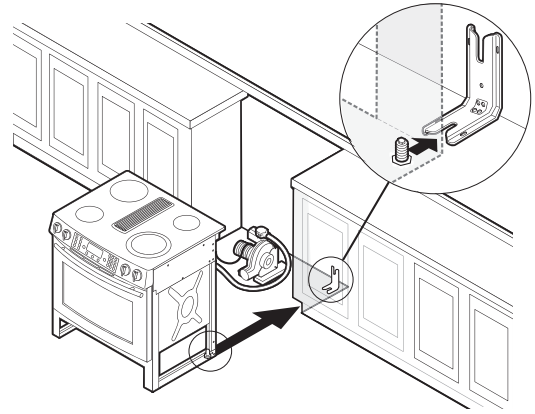
A. Inlet flexible vent
B. Vent clamp

2. Check countertop height to allow range top to clear countertop. Adjusting leveling legs if necessary.
3. Remove access panel by grasping both sides, pulling upward, and lifting out.
4. Move range close to cabinet opening.
5. Plug range into grounded outlet (if using a power supply cord).
6. Plug range electrical connector into the downdraft blower motor.

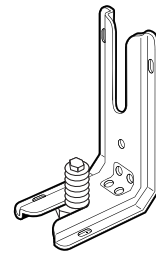


A. Power supply cord (on some installations)
B. Range electrical connector to blower motor

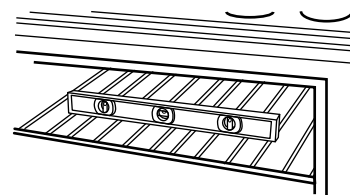
7. Remove cardboard or hardboard from under the range. Using 2 or more people, gently move range into its final location.



8. Check that the electrical cords are not kinked. Use a flashlight to look underneath the bottom of the range.
9. Verify that the anti-tip bracket is installed and engaged.
 - a.) Open access panel by grasping sides and pulling upward, lifting out.
 - b.) Use a flashlight to look underneath the bottom of the range.
 - c.) Visually check that the rear range foot is inserted into the slot of the anti-tip bracket.



10. Level the range.
 - a.) Place rack in oven.
 - b.) Place level on rack and check levelness of the range, first side to side; then front to back.

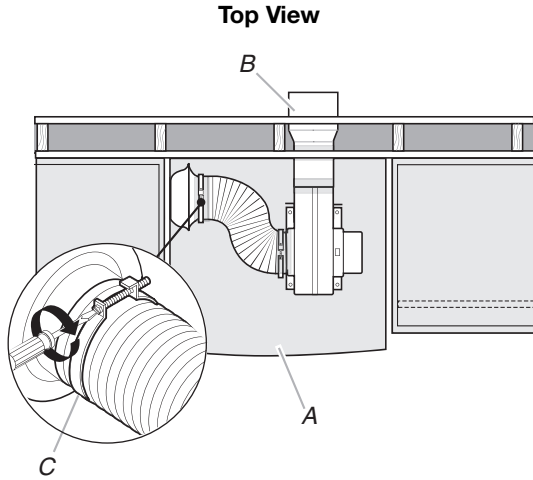


- c.) If range is not level, pull range forward until rear leveling leg is removed from the anti-tip bracket.
- d.) Use a wrench or pliers to adjust leveling legs up or down until range is level.
- e.) Push range back into position.
- f.) Check that rear leveling leg is engaged in anti-tip bracket.

NOTE: Range must be level for satisfactory baking performance.

11. Depending on your installation, connect the flexible vent from the blower motor inlet to the range using a vent clamp.

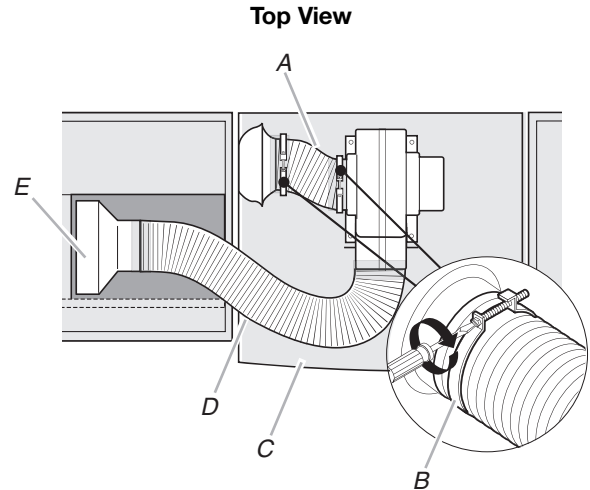
Wall Venting



A. Range
B. Wall venting outlet
C. Vent clamp

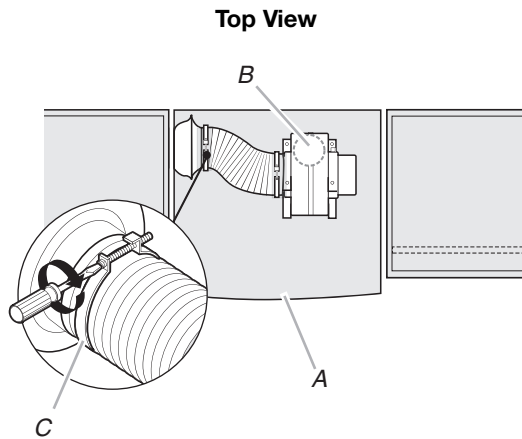
Side Venting (left side venting shown)

Connect flexible vent duct to range and connect vent system to blower motor outlet.



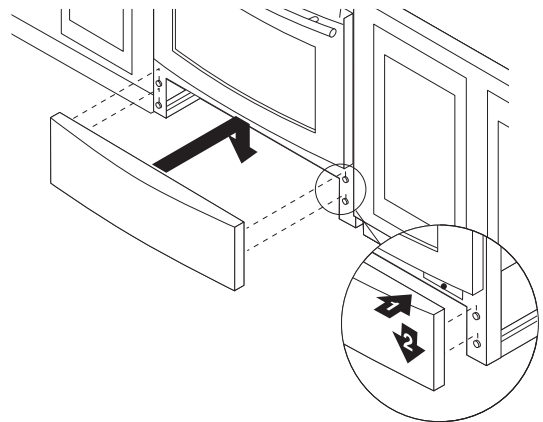
A. Flexible vent duct to range
B. Vent clamp
C. Range
D. Vent system
E. Side venting outlet

Floor Venting

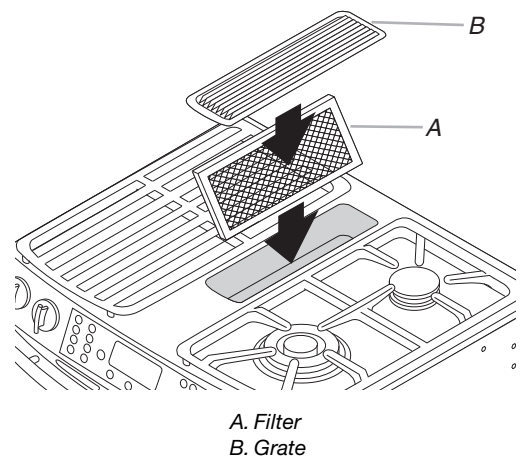


A. Range
B. Floor venting outlet
C. Vent clamp

12. Replace access panel.



13. Insert downdraft vent filter and place vent cover over opening.



A. Filter
B. Grate

14. Reconnect power.

Electronic Ignition System

Initial lighting and gas flame adjustments

Cooktop burners use pilotless igniters in place of standing pilots. When the cooktop control knob is turned to the "LITE" position, the system creates a spark to light the burner. This sparking continues as long as the control knob is turned to "LITE."

Check Operation of Cooktop Burners

Standard Surface Burners

Push in and turn each control knob to the "LITE" position.

The flame should light within 4 seconds. The first time a burner is lit, it may take longer than 4 seconds to light because of air in the gas line.

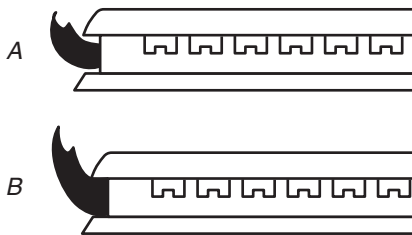
If burners do not light properly:

- Turn cooktop control knob to the "OFF" position.
- Check that the range is plugged in and the circuit breaker has not tripped or the household fuse has not blown.
- Check that the gas shutoff valves are set to the "open" position.
- Check that burner caps are properly positioned on burner bases.

Repeat start-up. If a burner does not light at this point, turn the control knobs to "Off" and contact your dealer or authorized service company for assistance.

Adjust Flame Height

Adjust the height of top burner flames. The cooktop "low" burner flame should be a steady blue flame approximately 1/4" (0.64 cm) high.



A. Low flame
B. High flame

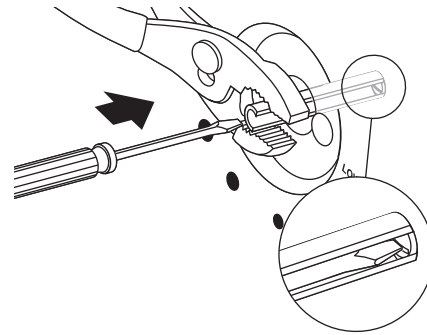
To adjust standard burners:

The flame can be adjusted using the adjustment screw in the center of the valve stem. The valve stem is located directly underneath the control knob.

If the "low" flame needs to be adjusted:

1. Light 1 burner and turn to lowest setting.
2. Remove the control knob.

Hold the knob stem in the low position using a pair of pliers. Use an 1/8" (3.0 mm) flat-blade screwdriver to turn the screw located in the center of the control knob stem until the flame is the proper size.



3. Replace the control knob.
4. Test the flame by turning the control from "LO" to "HI," checking the flame at each setting.
5. Repeat above steps for each burner.

Complete Installation

1. Check that all parts are now installed. If there is an extra part, go back through the steps to see which step was skipped.
2. Check that you have all of your tools.
3. Dispose of/recycle all packaging materials.
4. Check that range level. See "Connect Range to Downdraft System."
5. Use a mild solution of liquid household cleaner and warm water to remove waxy residue caused by shipping material. Dry thoroughly with a soft cloth. For more information, see the "Range Care" section of the Use and Care Guide.
6. Read "Range Use" in the Use and Care Guide.
7. Turn on surface burners and oven. See the Use and Care Guide for specific instruction on range operation.

If range does not operate, check the following:

- Household fuse is intact and tight, or circuit breaker has not tripped.
 - Range is plugged into a grounded outlet.
 - Electrical supply is connected.
 - See "Troubleshooting" in the Use and Care Guide.
8. When the range has been on for 5 minutes, check for heat. If the range is cold, turn off the range and check that the gas supply line shutoff valve is open.
 - If the gas supply line shutoff valve is closed, open it, then repeat the 5-minute test as outlined above.
 - If the gas supply line shutoff valve is open, close it, and contact a qualified technician.

If you need Assistance or Service:

Please reference the "Assistance or Service" section of the Use and Care Guide or contact the dealer from whom you purchased your range.

GAS CONVERSIONS

Gas conversions from Natural gas to LP gas or from LP gas to Natural gas must be done by a qualified installer.

⚠ WARNING



Explosion Hazard

Use a new CSA International approved gas supply line.

Install a shut-off valve.

Securely tighten all gas connections.

If connected to LP, have a qualified person make sure gas pressure does not exceed 14" (36 cm) water column.

Examples of a qualified person include:

licensed heating personnel,
authorized gas company personnel, and
authorized service personnel.

Failure to do so can result in death, explosion, or fire.

LP Gas Conversion

⚠ WARNING



Tip Over Hazard

A child or adult can tip the range and be killed.

Install anti-tip bracket to floor or wall per installation instructions.

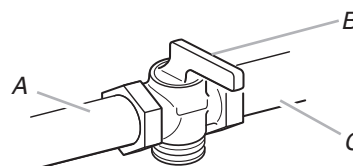
Slide range back so rear range foot is engaged in the slot of the anti-tip bracket.

Re-engage anti-tip bracket if range is moved.

Do not operate range without anti-tip bracket installed and engaged.

Failure to follow these instructions can result in death or serious burns to children and adults.

1. Turn manual shutoff valve to the closed position.

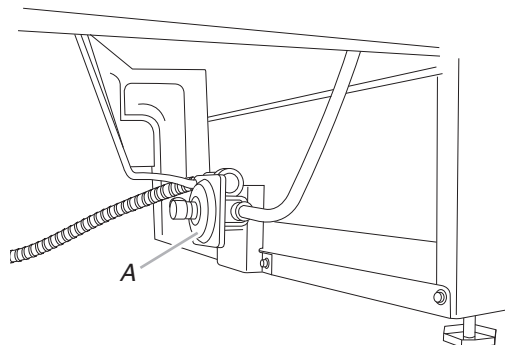


- A. To range
B. Shutoff valve (closed position)
C. Gas supply line

2. Unplug range or disconnect power.

To Convert Gas Pressure Regulator

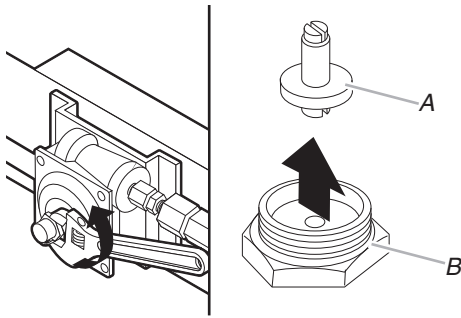
1. Remove access panel by grasping sides and pulling upward, lifting out.
2. Locate gas pressure regulator behind access panel.



A. Gas pressure regulator

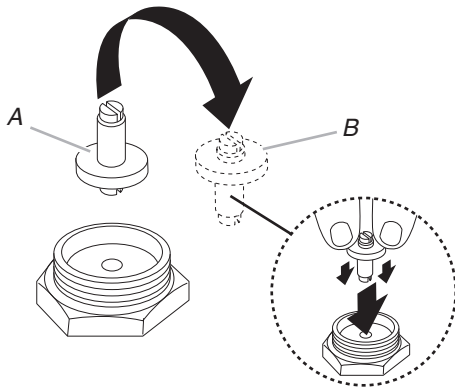
IMPORTANT: Do not remove the gas pressure regulator.

- Unscrew the regulator cap and remove the plastic cover.



A. Plastic cover
B. Regulator cap

- Flip the regulator cap over and replace the plastic cover.

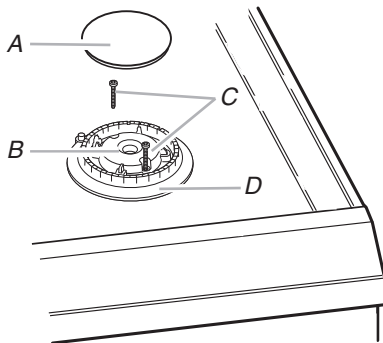


A. Natural gas position
B. LP gas position

- Screw the regulator cap securely back into place. Do not overtighten.

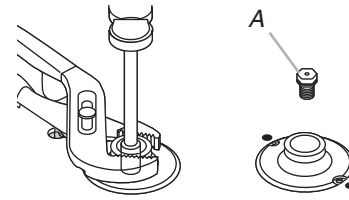
To Convert Surface Burners

- If they are installed, remove the burner grates.
- Remove the burner caps.
- Using a Phillips screwdriver, remove the burner base.



A. Burner cap
B. Gas tube opening
C. Burner base screws
D. Burner base

- Apply masking tape to the end of a $\frac{1}{32}$ " (7 mm) nut driver to help hold the Natural gas orifice spud in the nut driver while changing it. Press nut driver down onto the Natural gas orifice spud and remove by turning it counterclockwise and lifting out. Set Natural gas orifice spud aside.



A. Natural gas orifice spud

Use the following chart for correct LP gas orifice spud for each burner. Refer to the gas information plate on the side of the bottom oven frame for proper sizing of LP gas orifice spuds for each burner location.

LP Gas Orifice Spud Chart

Location	Burner Rating	Color	Number
Right Front	14,000 BTU	Red	114L
Right Rear	4,000 BTU	Blue	64L
Left Front	8,000 BTU	Clear	35L
Left Rear	8,000 BTU	Clear	35L

- Replace the Natural gas orifice spud with the correct LP gas orifice spud. See the "LP Gas Orifice Spud Chart."
- Replace burner base and hand tighten the screws.
- Replace burner cap.
- Repeat steps 1 through 7 for the remaining burners.
- Place Natural gas orifice spuds in plastic parts bag for future use and keep with package containing literature.
- Replace burner grates.
- Plug in range or reconnect power.
- Complete installation. See "Make Gas Connection" and "Electronic Ignition System" sections.

Checking for proper cooktop burner flame is very important. The small inner cone should have a very distinct blue flame $\frac{1}{4}$ " to $\frac{1}{2}$ " long. The outer cone is not as distinct as the inner cone. LP gas flames have a slightly yellow tip.

IMPORTANT: You may have to adjust the "LO" setting for each cooktop burner.

Natural Gas Conversion

⚠ WARNING



Tip Over Hazard

A child or adult can tip the range and be killed.

Install anti-tip bracket to floor or wall per installation instructions.

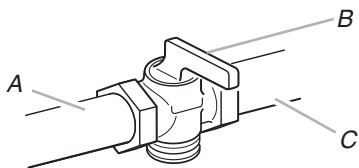
Slide range back so rear range foot is engaged in the slot of the anti-tip bracket.

Re-engage anti-tip bracket if range is moved.

Do not operate range without anti-tip bracket installed and engaged.

Failure to follow these instructions can result in death or serious burns to children and adults.

1. Turn manual shutoff valve to the closed position.

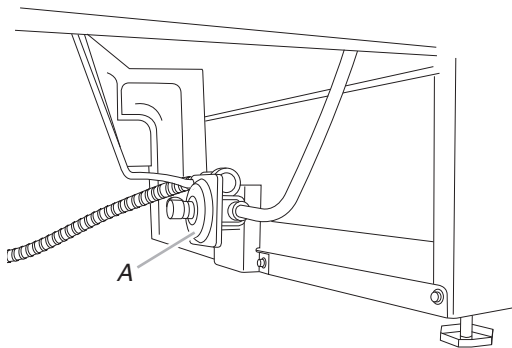


- A. To range
- B. Shutoff valve (closed position)
- C. Gas supply line

2. Unplug range or disconnect power.

To Convert Gas Pressure Regulator

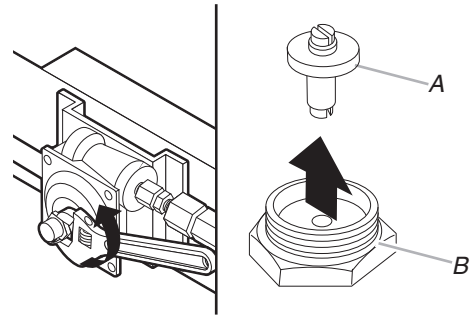
1. Remove access panel by grasping sides and pulling upward, lifting out.
2. Locate gas pressure regulator behind access panel.



A. Gas pressure regulator

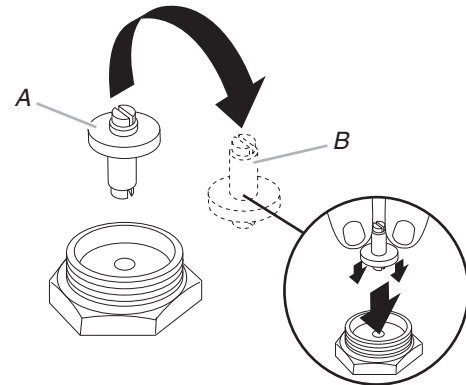
IMPORTANT: Do not remove the gas pressure regulator.

3. Unscrew the regulator cap and remove the plastic cover.



- A. Plastic cover
- B. Regulator cap

4. Flip the regulator cap over and replace the plastic cover.

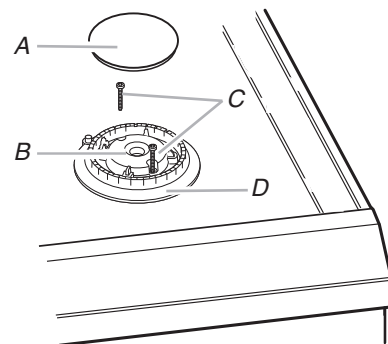


- A. LP gas position
- B. Natural gas position

5. Screw the regulator cap securely back into place. Do not overtighten.

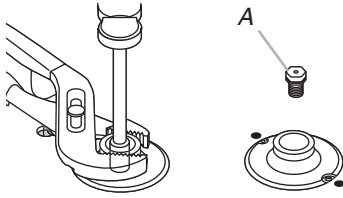
To Convert Surface Burners

1. If they are installed, remove the burner grates.
2. Remove the burner caps.
3. Using a Phillips screwdriver, remove the burner base.



- A. Burner cap
- B. Gas tube opening
- C. Burner base screws
- D. Burner base

4. Apply masking tape to the end of a $\frac{9}{32}$ " (7 mm) nut driver to help hold the LP gas orifice spud in the nut driver while changing it. Press nut driver down onto the LP gas orifice spud and remove by turning it counterclockwise and lifting out. Set the LP gas orifice spud aside.



A. Natural gas orifice spud

Use the following chart for correct Natural gas orifice spud for each burner. Refer to the gas information plate on the side of the bottom oven frame for proper sizing of Natural orifice spuds for each burner location.

Natural Gas Orifice Spud Chart

Location	Burner Rating	Color	Number
Right Front	16,000 BTU	Clear	190N
Right Rear	5,000 BTU	Green	107N
Left Front	8,500 BTU	Clear	52N
Left Rear	8,500 BTU	Clear	52N

5. Replace the LP gas orifice spud with correct Natural gas orifice spud. See the "Natural Gas Orifice Spud Chart."
6. Replace burner base and hand tighten the screws.
7. Replace burner cap.
8. Repeat steps 1 through 7 for the remaining burners.
9. Place LP gas orifice spuds in plastic parts bag for future use and keep with package containing literature.
10. Replace burner grates.
11. Plug in range or reconnect power.
12. Complete installation. See "Make Gas Connection" and "Electronic Ignition System" sections.

Checking for proper cooktop burner flame is very important. The small inner cone should have a very distinct blue flame $\frac{1}{4}$ " to $\frac{1}{2}$ " long. The outer cone is not as distinct as the inner cone. Natural gas flames do not have yellow tips.

IMPORTANT: You may have to adjust the "LO" setting for each cooktop burner.

SÉCURITÉ DE LA CUISINIÈRE

Votre sécurité et celle des autres est très importante.

Nous donnons de nombreux messages de sécurité importants dans ce manuel et sur votre appareil ménager. Assurez-vous de toujours lire tous les messages de sécurité et de vous y conformer.



Voici le symbole d'alerte de sécurité.

Ce symbole d'alerte de sécurité vous signale les dangers potentiels de décès et de blessures graves à vous et à d'autres.

Tous les messages de sécurité suivront le symbole d'alerte de sécurité et le mot "DANGER" ou "AVERTISSEMENT". Ces mots signifient :

⚠ DANGER

Risque possible de décès ou de blessure grave si vous ne suivez pas immédiatement les instructions.

⚠ AVERTISSEMENT

Risque possible de décès ou de blessure grave si vous ne suivez pas les instructions.

Tous les messages de sécurité vous diront quel est le danger potentiel et vous disent comment réduire le risque de blessure et ce qui peut se produire en cas de non-respect des instructions.

AVERTISSEMENT : Si les renseignements dans ce manuel ne sont pas exactement observés, un incendie ou une explosion peut survenir, causant des dommages au produit, des blessures ou un décès.

- Ne pas entreposer ni utiliser de l'essence ou d'autres vapeurs ou liquides inflammables à proximité de cet appareil ou de tout autre appareil électroménager.
- QUE FAIRE DANS LE CAS D'UNE ODEUR DE GAZ :
 - Ne pas tenter d'allumer un appareil.
 - Ne pas toucher à un commutateur électrique.
 - Ne pas utiliser le téléphone se trouvant sur les lieux.
 - Appeler immédiatement le fournisseur de gaz à partir du téléphone d'un voisin. Suivre ses instructions.
 - À défaut de joindre votre fournisseur de gaz, appeler les pompiers.
- L'installation et l'entretien doivent être effectués par un installateur qualifié, une agence de service ou le fournisseur de gaz.

AVERTISSEMENT : L'odorat ne permet pas toujours la détection d'une fuite de gaz.

Les distributeurs de gaz recommandent l'emploi d'un détecteur de gaz (homologation UL ou CSA).

Pour d'autre information, contacter le fournisseur de gaz local.

En cas de détection d'une fuite de gaz, exécuter les instructions "Que faire dans le cas d'une odeur de gaz".

IMPORTANT : Ne pas installer un système de ventilation avec évacuation de l'air vers le bas, qui évacuerait l'air vers cet appareil de cuisson à gaz. Ce type de système de ventilation peut causer des problèmes d'allumage et de combustion avec cet appareil de cuisson à gaz et entraîner des blessures corporelles ou le fonctionnement non désiré de cet appareil.

Dans l'État du Massachusetts, les instructions d'installation suivantes sont applicables :

- Les travaux d'installation et réparation doivent être exécutés par un plombier ou tuyauteur qualifié ou licencié, ou par le personnel qualifié d'une entreprise licenciée par l'État du Massachusetts.
- Si une vanne à boisseau sphérique est utilisée, elle doit comporter une manette "T".
- Si un conduit de raccordement flexible est utilisé, sa longueur ne doit pas dépasser 3 pi.

⚠ AVERTISSEMENT

Risque de basculement

Un enfant ou une personne adulte peut faire basculer la cuisinière, ce qui peut causer un décès.

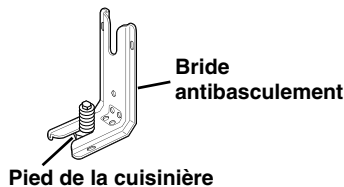
Fixer la bride antibasculement au plancher ou au mur, conformément aux instructions d'installation.

Faire glisser de nouveau la cuisinière de façon à ce que le pied arrière de la cuisinière se trouve dans la fente de la bride antibasculement.

Réengager la bride antibasculement si la cuisinière a été déplacée.

Ne pas faire fonctionner la cuisinière si la bride antibasculement n'est pas installée et engagée.

Le non-respect de ces instructions peut causer un décès ou des brûlures graves aux enfants et aux adultes.



Pour vérifier que la bride antibasculement est bien installée et engagée :

- Faire glisser la cuisinière vers l'avant.
- Vérifier que la bride antibasculement est bien fixée au plancher ou au mur.
- Faire de nouveau glisser la cuisinière vers l'arrière de sorte que le pied de la cuisinière se trouve sous la bride antibasculement.
- Voir les instructions d'installation pour plus de détails.

EXIGENCES D'INSTALLATION

Outillage et pièces

Rassembler les outils et composants nécessaires avant d'entreprendre l'installation. Lire et observer les instructions fournies avec chacun des outils de la liste ci-dessous.

Outils nécessaires

- Mètre-ruban
- Tournevis Phillips
- Tournevis à lame plate
- Tournevis à lame plate de 1/8"
- Niveau
- Perceuse manuelle ou électrique
- Clé ou pince
- Clé à tuyauterie
- Clé mixte de 15/16"
- Foret de 1/8" (3,2 mm) (pour planchers en bois)
- Marqueur ou crayon
- Composé d'étanchéité des raccords filetés – résistant au gaz propane
- Foret à maçonnerie à pointe carburée de 3/16" (4,8 mm) (pour planchers en béton/céramique)
- Solution non corrosive de détection des fuites
- Pour conversions pour gaz propane/naturel**
 - Clé mixte de 1/2"
 - Tourne-écrou de 1/4" (6 mm)
 - Tourne-écrou de 3/32" (7 mm)
 - Ruban adhésif de masquage

Pièces fournies

Vérifier que toutes les pièces sont présentes.

- Ensemble de conversion pour gaz propane/naturel (fixé par du ruban adhésif derrière le panneau d'accès)

- 2 - Chapeaux de brûleur
 - 3 - Grilles de brûleur
 - 1 - Grille à air
 - 3 - Grilles de four
 - 1 - Bande métallique de mise à la terre (pour un raccordement à 3 conducteurs)
 - Moteur du ventilateur
 - 2 - Brides pour conduit
 - Conduit flexible
 - Fiche de test du débit
 - Gabarit pour l'emplacement du ventilateur
 - 4 vis n° 8 x 3/4" (pour le montage de la bride du ventilateur)
 - 2 vis n°12 x 1 5/8" (pour le montage de la bride antibasculement)
 - Bride antibasculement (fixée par du ruban adhésif à la pochette contenant la documentation dans la cavité du four)
- La bride antibasculement doit être bien fixée à la cloison arrière ou au plancher. La profondeur du plancher peut nécessiter des vis plus longues pour l'ancrage de la bride dans le sous-plancher. Des vis plus longues sont disponibles auprès de votre quincaillerie locale.

Pièces nécessaires

- L'une des bouches de décharge murales Jenn-Air suivantes :
 - Clapet de bouche de décharge murale en surface rond de 5" (12,7 cm) de Jenn-Air®
Commander la pièce numéro A405
 - Clapet de bouche de décharge murale en surface rond de 6" (15,2 cm) de Jenn-Air®
Commander la pièce numéro A406
 - Clapet de bouche de décharge murale en surface rond de 3¼" x 10" (8,3 x 25,4 cm) de Jenn-Air®
Commander la pièce numéro A403
 - Pour commander, voir la section "Assistance ou service" du Guide d'utilisation et d'entretien.
 - Conduit métallique
 - Brides de conduit
 - 2 cales en bois 2" x 4" x 8¾" (5 x 10,2 x 22,2 cm) (pour évacuation par la gauche ou par la droite)
 - Chevilles à béton (pour montage sur sol en béton)
- Vérifier les codes locaux et consulter le fournisseur de gaz. Vérifier l'alimentation en gaz et l'alimentation électrique existantes. Voir les sections "Spécifications électriques" et "Spécifications de l'alimentation en gaz".

Exigences d'emplacement

IMPORTANT : Observer les dispositions de tous les codes et règlements en vigueur. Ne pas obstruer le flux de combustion et de ventilation.

- C'est à l'installateur qu'incombe la responsabilité de respecter les distances de séparation exigées pour l'installation, spécifiées sur la plaque signalétique de l'appareil. La plaque signalétique est située derrière le tiroir de remisage, sur le côté droit du cadre du four ou sur le côté droit du cadre du four inférieur, selon le modèle.
- La cuisinière doit être installée à un endroit pratique dans la cuisine.
- Dans le cas d'une cuisinière encastrée, l'enceinte doit recouvrir complètement les côtés et l'arrière de la cuisinière.
- Afin de supprimer le risque de brûlures ou d'incendie lié au fait de se pencher au-dessus des unités de surface chauffées, le rangement en placard au-dessus des unités de surface doit être évité. Si le rangement en placard est envisagé, le risque peut être réduit par l'installation d'une hotte de cuisinière ou un ensemble hotte/micro-ondes opérant horizontalement sur un minimum de 5" (12,7 cm) au-delà du bas des placards.
- Toutes les ouvertures dans le mur ou le plancher de l'emplacement d'installation de la cuisinière doivent être scellées.
- Respecter les dimensions indiquées pour les ouvertures à découper dans les placards. Ces dimensions constituent les valeurs minimales des dégagements de séparation.
- La bride antibasculement de plancher doit être installée. Pour l'installation de la bride antibasculement expédiée avec la cuisinière, voir la section "Installation de la bride antibasculement".
- Une source d'électricité avec liaison à la terre est nécessaire. Voir la section "Spécifications électriques".
- Une source de gaz adéquate doit être disponible. Voir la section "Spécifications de l'alimentation en gaz".
- Contacter un installateur de revêtement de sol qualifié, qui pourra déterminer si le revêtement de sol peut résister à une température d'au moins 200°F (93°C).
- Dans le cas de l'installation de la cuisinière par dessus un tapis, placer sous la cuisinière une plaque d'appui isolée, ou une plaque de contreplaqué de ¼" (0,64 cm).

IMPORTANT : Afin d'éviter d'endommager les placards, consulter le constructeur de la maison ou le fabricant des placards pour déterminer si les matériaux utilisés peuvent subir un changement de couleur, une déstratification ou d'autres dommages. Ce four a été conçu conformément aux exigences des normes UL et CSA International et respecte les températures maximales permises de 194°F (90°C) pour les placards en bois.

Résidence mobile – Spécifications additionnelles à respecter lors de l'installation

L'installation de cette cuisinière doit être conforme aux dispositions de la norme Manufactured Home Construction and Safety Standard, Title 24 CFR, Part 3280 (anciennement Federal Standard for Mobile Home Construction and Safety, Title 24, HUD Part 280). Lorsque cette norme n'est pas applicable, l'installation doit satisfaire aux critères de la norme Standard for Manufactured Home Installations, ANSI A225.1/NFPA 501A ou aux dispositions des codes locaux.

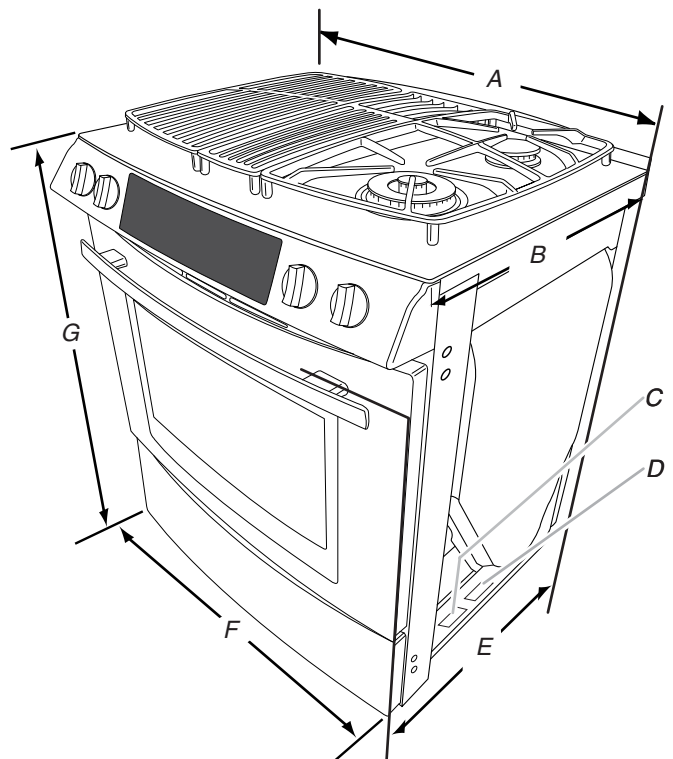
Au Canada, l'installation de cette cuisinière doit satisfaire aux stipulations de la version la plus récente de la norme CAN/CSA-A240 ou des codes locaux en vigueur.

Critères à respecter pour une installation en résidence mobile :

- Dans le cas de l'installation de cette cuisinière dans une résidence mobile, la cuisinière doit être fixée au plancher durant tout déplacement du véhicule. Toute méthode de fixation de la cuisinière est adéquate dans la mesure où elle satisfait aux critères des normes mentionnées ci-dessus.

Dimensions du produit

Modèle JDS9860



A. 30¾" (78,1 cm)

B. 23" (58,4 cm) entre le coin du plan de travail et l'arrière de la table de cuisson

C. Plaque d'informations sur le gaz (située sur le côté droit au bas du châssis du four)

D. Plaque signalétique (située en bas à droite du châssis du four)

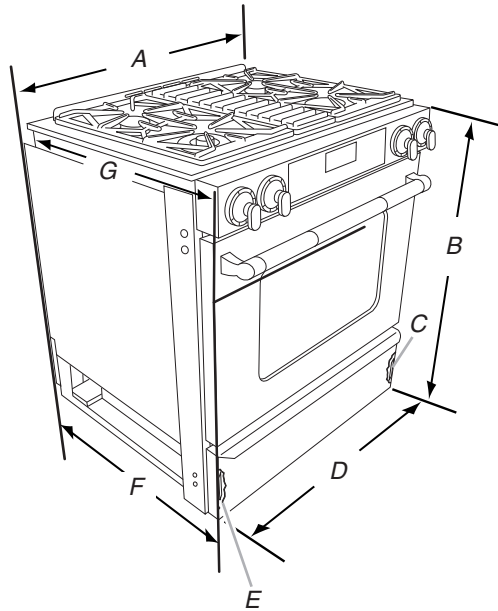
E. 29" (73,4 cm) entre la poignée et l'arrière de la cuisinière**

F. 29⅞" (75,9 cm)*

G. Hauteur jusqu'à la partie inférieure de la table de cuisson avec les pieds de nivellement complètement abaissés : 35¾" (90,8 cm)*

Modèle JDS9865

REMARQUE : Votre modèle peut différer de la table de cuisson illustrée.



A. 30 $\frac{7}{8}$ " (78,4 cm)

B. Hauteur jusqu'à la partie inférieure de la table de cuisson avec les pieds de nivellement complètement abaissés : 35 $\frac{3}{4}$ " (90,8 cm)*

C. Plaque signalétique (située sur le côté droit du châssis du four, derrière le tiroir de remisage)

D. 29 $\frac{7}{8}$ " (75,9 cm)

E. Plaque d'informations sur le gaz (située sur le côté gauche du châssis du four, derrière le tiroir de remisage)

F. 29" (73,7 cm) de la poignée à l'arrière de la cuisinière**

G. 27" (68,6 cm) de la poignée à l'arrière de la table de cuisson

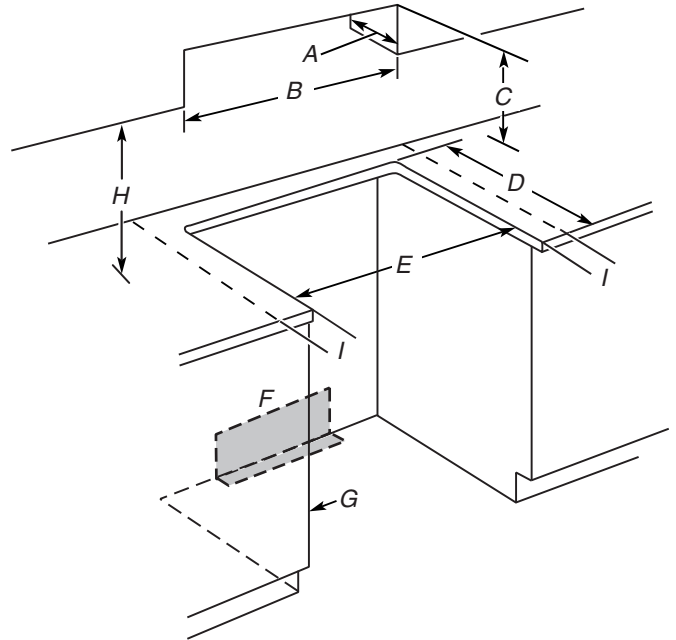
*La cuisinière peut être surélevée d'environ 1" (2,5 cm) en ajustant les pieds de nivellement.

**Dans le cas d'une installation dans un placard inférieur de 24" (61,0 cm) avec plan de travail de 25" (63,5 cm), l'avant de la porte du four sera en saillie de 5" (12,7 cm) au-delà du placard inférieur de 24" (61 cm).

Dimensions du placard

Les dimensions d'ouverture de placard indiquées sont valides pour une installation avec une profondeur de plan de travail de 25" (64,0 cm), une profondeur de placard inférieur de 24" (61,0 cm) et une hauteur de plan de travail de 36" (91,4 cm).

La cuisinière peut être installée sans aucun dégagement entre une construction combustible à l'arrière et sur les côtés, sous la table de cuisson.



A. Profondeur des placards supérieurs : 13" (33,0 cm)

B. Largeur de l'ouverture 30" (76,2 cm) min.

C. Pour la distance libre minimale vers la partie supérieure de la table de cuisson, voir la REMARQUE.

D. Profondeur de l'ouverture 23 $\frac{7}{8}$ " (59,1 cm)

E. Largeur de l'ouverture 30" (76,2 cm) min.

F. Alimentation électrique et alimentation en gaz – séparation de 5,5" (14 cm) min. par rapport au placard et 10" (25,4 cm) max. au-dessus du sol. Aucun élément situé dans la zone ombrée ne doit dépasser de plus de 2 $\frac{1}{4}$ " (5,7 cm) du mur arrière, sans quoi il sera impossible de remettre la cuisinière bien en place. La prise de courant (avec liaison à la terre) doit être montée en affleurement.

G. La porte ou charnière du placard ne doit pas dépasser à l'intérieur de l'ouverture.

H. 18" (45,7 cm)

I. Dégagement de 3" (7,6 cm) min. entre les deux côtés de la cuisinière et les parois latérales ou d'autres matériaux combustibles.

REMARQUE : Distance de séparation minimale de 24" (61,0 cm) lorsque le fond d'un placard de bois ou de métal est protégé par une planche ignifugée d'au moins $\frac{1}{4}$ " (0,64 cm) recouverte d'une feuille métallique d'épaisseur égale ou supérieure à : acier calibre 28 MSG, acier inoxydable 0,015" (0,4 mm), aluminium 0,024" (0,6 mm), ou cuivre 0,020" (0,5 mm).

Distance de séparation minimale de 30" (76,2 cm) entre le dessus de la table de cuisson et le fond d'un placard de bois ou de métal non protégé.

Exigences concernant l'évacuation

IMPORTANT : Cette cuisinière doit être ventilée vers l'extérieur. Voir la section "Méthodes d'évacuation".

- Ne pas terminer le circuit d'évacuation dans un grenier ou dans un autre espace fermé.
- Utiliser une bouche de décharge murale Jenn-Air.
- Le circuit d'évacuation doit évacuer l'air à l'extérieur.
- Utiliser uniquement un conduit métallique rond de 6" (15,2 cm) ou un conduit rectangulaire de 3¼ x 10" (8,3 cm x 25,4 cm), sauf dans les cas suivants :
Un conduit métallique rond de 5" (12,7 cm) doit être utilisé pour une longueur de circuit d'évacuation de 10 pi (3 m) maximum.
- Un conduit en métal rigide est recommandé. Pour des performances optimales, ne pas utiliser de conduit de plastique ou d'aluminium.
- Avant d'effectuer des découpes, s'assurer que l'espace est suffisant sur le mur ou le plancher pour le conduit d'évacuation.
- On ne doit couper un poteau de colombage ou une solive que si c'est absolument nécessaire. Dans ce cas, on devra construire une structure de support appropriée.
- La taille du conduit doit être uniforme.
- Le circuit d'évacuation doit comporter un clapet anti-retour. Si la bouche de décharge murale ou par le toit comporte un clapet, ne pas utiliser le clapet fourni avec la hotte de cuisinière.
- Pour assurer l'étanchéité de toutes les jonctions du circuit d'évacuation, utiliser des brides pour conduit.
- À l'aide d'un produit de calfeutrage, assurer l'étanchéité autour de la bouche de décharge à l'extérieur (à travers le mur ou le toit).
- Déterminer la méthode d'évacuation la plus appropriée.

Pour obtenir des performances optimales :

- Utiliser un conduit métallique en acier galvanisé de calibre 26 minimum ou en aluminium de calibre 25 minimum. Des raccords de tube de qualité médiocre peuvent réduire la circulation d'air. On déconseille l'emploi d'un conduit en métal flexible.

REMARQUE : Les codes locaux peuvent imposer un matériau d'épaisseur supérieure.

- Les conduits métalliques peuvent être réduits à de l'acier galvanisé de calibre 30 ou de l'acier aluminisé de calibre 26 si les codes locaux l'autorisent. Cette réduction repose sur les informations du document International Residential Codes Section M1601.1 (édition 2006).

- Ne pas installer 2 coudes successifs.
- Ne pas utiliser plus de trois coudes à 90°.
- Si un coude est utilisé, on doit le placer le plus loin possible de l'ouverture de décharge du ventilateur de la hotte.
- Veiller à incorporer une section de conduit rectiligne d'au moins 18" (45,7 cm) entre deux raccords coudés adjacents.
- Des coudes trop rapprochés peuvent occasionner une turbulence excessive qui réduit la circulation de l'air.
- Ne pas utiliser de coude de 5" (12,7 cm) dans un circuit de 6" (15,2 cm) ou 3¼" x 10" (8,3 x 25,4 cm)
- Ne pas effectuer de réduction en un circuit de 5" (12,7 cm) après avoir utilisé des raccords de 6" (15,2 cm) ou 3¼" x 10" (8,3 x 25,4 cm).
- Éviter les assemblages par sertissage à la main. Les sertissages à la main peuvent réduire la circulation d'air.
- Utiliser une bouche de décharge Jenn-Air. Si une autre bouche de décharge de toit ou murale est utilisée, s'assurer que ses dimensions ne sont pas plus petites et qu'elle est équipée d'un clapet anti-retour.
- Pour assurer l'étanchéité de toutes les jonctions du circuit d'évacuation, utiliser des brides pour conduit.
- À l'aide d'un produit de calfeutrage, assurer l'étanchéité autour de la bouche de décharge à l'extérieur (à travers le mur ou le toit).

La longueur du système d'évacuation et le nombre de coudes doivent être réduits au minimum pour une performance optimale.

La longueur équivalente maximale du circuit d'évacuation est de 60 pi (18,3 m). À une altitude supérieure à 4500 pi (1272 m), réduire la longueur de 20 % pour une meilleure performance.

Installations dans les régions au climat froid

On devrait installer un clapet anti-retour additionnel pour minimiser le reflux d'air froid et installer une barrière thermique pour minimiser la conduction des températures extérieures par l'intermédiaire du circuit d'évacuation. Le clapet anti-retour doit être placé du côté air froid de la barrière thermique.

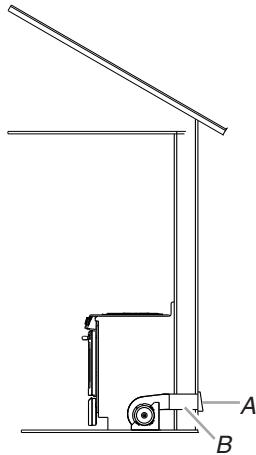
Air d'appoint

Les codes locaux en bâtiment peuvent imposer l'emploi d'un circuit de renouvellement de l'air/introduction d'air d'appoint, lors de l'utilisation d'un circuit d'aspiration de débit supérieur à une valeur spécifiée en pieds cubes par minute. Le débit spécifié en pieds cubes par minute varie d'une juridiction à l'autre. Consulter un professionnel des installations de chauffage/ventilation/climatisation au sujet des exigences spécifiques applicables dans la juridiction locale.

Méthodes d'évacuation

Les méthodes communes d'évacuation sont illustrées pour une cuisinière à aspiration par le bas. L'évacuation de la cuisinière à aspiration par le bas peut se faire par le mur ou le plancher.

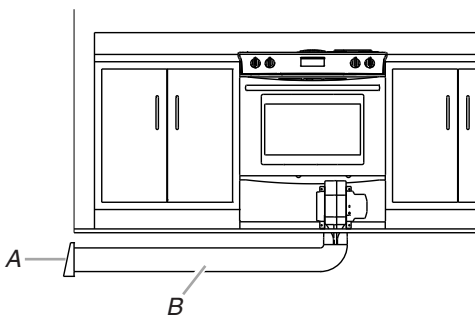
Évacuation par le mur



A. Bouche de décharge murale
B. Conduit de dia. 6" (15,2 cm) – sortie à travers le toit

Évacuation par le plancher

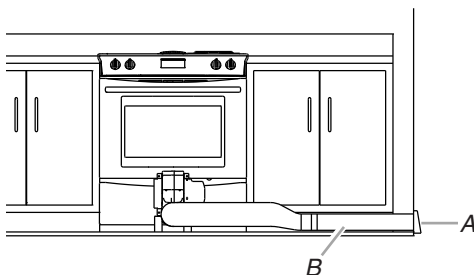
Évacuation entre solives de plancher



A. Bouche de décharge murale
B. Conduit de dia. 6" (15,2 cm) – sortie à travers le toit

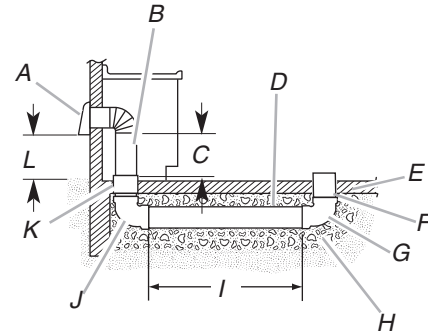
Évacuation par la gauche ou par la droite

Évacuation derrière les garde-pieds des placards



A. Bouche de décharge murale
B. Conduit de dia. 6" (15,2 cm) – sortie à travers le toit

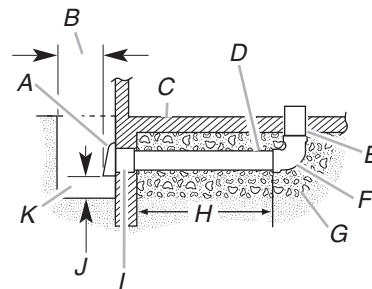
Installations sur dalle de béton - Évacuation par le mur



A. Bouche de décharge murale
B. Conduit métallique rond de dia. 6" (15,2 cm)
C. 16" (40,6 cm) maximum
D. Conduit PVC dia. 6" (15,2 cm) (pour égout)
E. Dalle de béton
F. Conduit PVC dia. 6" (15,2 cm) (pour égout)
G. Raccord coudé 90° PVC dia. 6" (15,2 cm) (pour égout)
H. Gravier ou sable compacté tout autour du tuyau
I. 30 pi (9,1 m) max.
J. Raccord coudé 90° PVC dia. 6" (15,2 cm) (pour égout)
K. Raccord PVC dia. 6" (15,2 cm)
L. 12" (30,5 cm) minimum

Installations sur dalle de béton - Évacuation par un puits de fenêtre

IMPORTANT : Installation à travers un puits de fenêtre pour modèles électriques uniquement.



A. Bouche de décharge murale
B. 12" (30,5 cm) minimum
C. Dalle de béton
D. Conduit PVC dia. 6" (15,2 cm) (pour égout)
E. Conduit PVC dia. 6" (15,2 cm) (pour égout)
F. Raccord coudé 90° PVC dia. 6" (15,2 cm) (pour égout)
G. Gravier ou sable compacté tout autour du tuyau
H. 42 pi (12,8 m) max.
I. Raccord PVC dia. 6" (15,2 cm)
J. 6" (15,2 cm) minimum
K. Puits de fenêtre




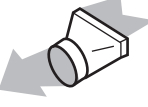


Calcul de la longueur effective du circuit d'évacuation

IMPORTANT : Cette cuisinière accepte jusqu'à 60 pi (18,3 m) de conduit droit. Le mode à faible aspiration admet jusqu'à 30 pi (9,1 m); le mode à forte aspiration admet de 31 pi (9,4 m) à 60 pi (18,3 m).

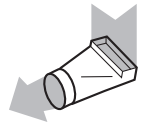
Si la longueur équivalente de conduit dépasse 30 pi (18,3 m), le ventilateur doit être converti au mode à forte aspiration.

- Ne pas convertir au mode à forte aspiration pour les longueurs plus courtes. Il en résulterait un bruit excessif, une perte d'air conditionné et une déformation des flammes sur les cuisinières à gaz.
- Pour convertir le ventilateur dans le cas d'une installation dans le mode à forte aspiration, voir la section "Installation du circuit d'évacuation par le bas".

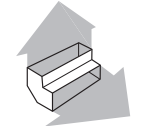
Pour calculer la longueur effective du circuit d'évacuation nécessaire, additionner les longueurs équivalentes (en pieds ou mètres) de tous les composants utilisés dans le système.

Composant	Conduit de diamètre de 6" (15,2 cm)	
Coude à 45°	2,5 pi (0,8 m)	
Coude à 90°	5 pi (1,5 m)	
Bouche de décharge murale de 6" (15,2 cm)	0 pi (0 m)	
Raccord de 3/4" x 10" (8,3 cm x 25,4 cm) vers 6" (15,2 cm)	4,5 pi (1,4 m)	
Raccord de 6" (15,2 cm) vers 3/4" x 10" (8,3 cm x 25,4 cm)	1 pi (0,3 m)	
Raccord coudé à 90° de 3/4" x 10" (8,3 cm x 25,4 cm) vers 6" (15,2 cm)	5 pi (1,5 m)	

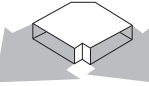
Raccord coudé à 90° de 6" (15,2 cm) vers 3/4" x 10" (8,3 cm x 25,4 cm) 5 pi (1,5 m)



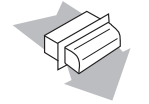
Coude à 90° de 3/4" x 10" (8,3 cm x 25,4 cm) 5 pi (1,5 m)



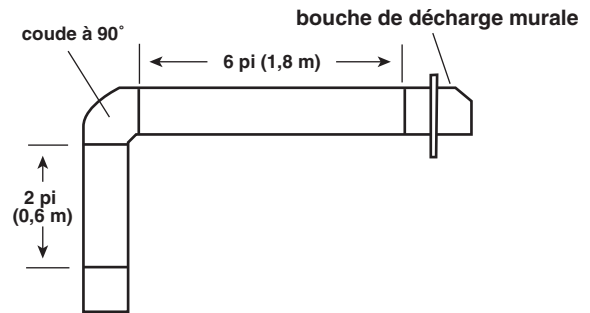
Coude plat de 3/4" x 10" (8,3 cm x 25,4 cm) 12 pi (3,7 m)



Bouche de décharge murale de 3/4" x 10" (8,3 cm x 25,4 cm) 0 pi (0 m)



Exemple de circuit d'évacuation



Longueur maximum = 60 pi (18,3 m)

1 coude à 90° = 5 pi (1,5 m)

Section droite de 8 pi (2,4 m) = 8 pi (2,4 m)

1 bouche de décharge murale = 0 pi (0 m)

Longueur totale = 13 pi (3,9 m)

REMARQUE : On déconseille l'emploi d'un conduit flexible pour une évacuation vers l'extérieur. Un conduit flexible peut causer une contre-pression et des turbulences d'air, qui réduisent considérablement la performance.

Spécifications électriques – Canada uniquement

⚠ AVERTISSEMENT



Risque de choc électrique

Relier la cuisinière à la terre.

Le non-respect de cette instruction peut causer un décès, un incendie ou un choc électrique.

Si on utilise un conducteur distinct de liaison à la terre lorsque les codes le permettent, il est recommandé qu'un électricien qualifié vérifie que la liaison à la terre et le calibre du conducteur sont conformes aux codes locaux.

Vérifier que le raccordement à la source d'électricité et le calibre des conducteurs sont conformes aux prescriptions de la plus récente édition de la norme CSA C22.1, partie 1 – Code canadien de l'électricité, et de tout code ou règlement local en vigueur.

Pour obtenir un exemplaire des normes et codes ci-dessus, contacter :

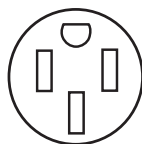
Canadian Standards Association
178 Rexdale Blvd.
Toronto, ON M9W 1R3 CANADA.

- En cas de doute quant à la qualité de la liaison à la terre de la cuisinière, consulter un électricien qualifié.

Valeur nominale de la cuisinière*		Calibre du cordon d'alimentation	Circuit de protection
120/240 volts	120/208 volts	Ampères	Ampères
8,8 à 16,5 kW	7,8 à 12,5 kW	40	40 ou 50
16,6 à 22,5 kW	12,6 à 18,5 kW	50	50

*La charge calculée selon NEC est inférieure au total des charges raccordées, tel que mentionné sur la plaque signalétique de l'appareil.

- On recommande l'emploi d'un fusible ou un disjoncteur temporisé.
- Cette cuisinière est équipée d'un cordon électrique homologué par la CSA International à introduire dans une prise murale standard 14-50R. Veiller à ce que la prise murale se trouve à proximité de l'emplacement définitif de la cuisinière.



- Ne pas utiliser de câble de rallonge.

Spécifications de l'alimentation en gaz

⚠ AVERTISSEMENT



Risque d'explosion

Utiliser une canalisation neuve d'arrivée de gaz approuvée par la CSA International.

Installer un robinet d'arrêt.

Bien serrer chaque organe de connexion de la canalisation de gaz.

En cas de connexion au gaz propane, demander à une personne qualifiée de s'assurer que la pression de gaz ne dépasse pas 36 cm (14 po) de la colonne d'eau.

Par personne qualifiée, on comprend :

**le personnel autorisé de chauffage,
le personnel autorisé d'une compagnie de gaz, et
le personnel d'entretien autorisé.**

Le non-respect de ces instructions peut causer un décès, une explosion ou un incendie.

Respecter les dispositions de tous les codes et règlements en vigueur.

IMPORTANT : L'installation doit satisfaire aux critères de tous les codes et règlements locaux. En l'absence de code local, l'installation doit satisfaire aux prescriptions de la plus récente édition du code national en vigueur : National Fuel Gas Code ANSI Z223.1 ou CAN/CGA B149.

IMPORTANT : Les tests de fuite de la cuisinière doivent être effectués selon les instructions du fabricant.

Type de gaz

Gaz naturel :

La conception de cette cuisinière a été homologuée par CSA International pour l'alimentation au gaz naturel, ou pour l'alimentation au propane après conversion adéquate.

- Cette cuisinière a été configurée à l'usine pour l'alimentation au gaz naturel. Voir la section "Conversions pour changement de gaz". La plaque d'information sur le type de gaz (située derrière le tiroir-réchaud ou le tiroir de remisage, sur le côté du cadre du four ou sur le côté du cadre du four inférieur, selon le modèle) contient des informations sur le type de gaz à utiliser. Si le type de gaz disponible n'est pas mentionné sur la plaque signalétique, consulter le fournisseur local.

Conversion au gaz propane :

L'opération de conversion doit être exécutée par un technicien de réparation qualifié.

Ne pas entreprendre de convertir l'appareil pour une utilisation avec un gaz différent de celui indiqué sur la plaque signalétique sans d'abord consulter le fournisseur de gaz. Voir la section "Conversions pour changement de gaz".

Canalisation de gaz

- Installer une canalisation de gaz rigide de $\frac{3}{4}$ " (1,9 cm) jusqu'à l'emplacement d'installation de la cuisinière. L'emploi d'une canalisation de plus petit diamètre ou plus longue peut causer une déficience du débit d'alimentation. Pour l'alimentation au propane, le diamètre des canalisations doit être de $\frac{1}{2}$ " (1,3 cm) ou plus. En général, le fournisseur de gaz propane détermine les matériaux à utiliser et le diamètre approprié.

REMARQUE : On doit utiliser un composé d'étanchéité pour tuyauteries résistant à l'action du gaz propane. Ne pas utiliser de ruban TEFLON[†].

Raccord métallique flexible :

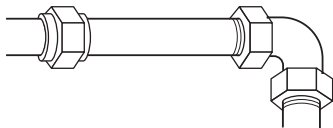
- Si les codes locaux le permettent, on peut utiliser un raccord métallique flexible neuf (homologation CSA), de 4 à 5 pi (122 à 152,4 cm) de long, de diamètre interne de $\frac{1}{2}$ " (1,3 cm) ou $\frac{3}{4}$ " (1,9 cm) pour le raccordement de la cuisinière à la canalisation d'alimentation en gaz.



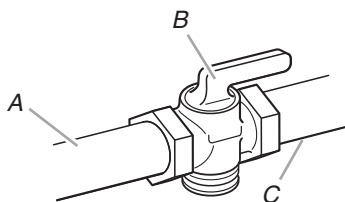
- Un raccord avec filetage mâle de $\frac{1}{2}$ " (1,3 cm) est nécessaire pour la connexion sur le raccord à filetage femelle à l'entrée du détendeur de l'appareil.
- Ne pas déformer/écraser/endommager le tube métallique flexible lors d'un déplacement de la cuisinière.

Raccordement par un ensemble rigide :

On doit utiliser une combinaison de raccords pour réaliser un raccordement rigide entre la cuisinière et la canalisation de gaz. Le tuyau rigide doit se trouver au même niveau que le raccord de connexion de la cuisinière. On doit veiller à ne soumettre les sections de canalisation d'alimentation et de combustible à aucune traction ou flexion afin que la cuisinière soit d'aplomb et correctement alignée.



- Robinet d'arrêt nécessaire : La canalisation d'alimentation doit comporter un robinet d'arrêt manuel. Ce robinet doit être séparé de l'ouverture de la cuisinière, mais il doit se trouver dans la même pièce, par exemple dans un placard adjacent. La canalisation doit se trouver en un endroit facilement accessible pour les manœuvres d'ouverture/fermeture. Ne pas entraver l'accès au robinet d'arrêt manuel. Le robinet permet d'ouvrir ou de fermer l'alimentation en gaz de la cuisinière.



A. Canalisation d'alimentation en gaz
B. Robinet d'arrêt manuel en position d'ouverture
C. Vers la cuisinière

Détendeur

Le détendeur fourni avec cette cuisinière doit être utilisé. La pression d'alimentation du détendeur doit être comme suit pour un fonctionnement correct :

Gaz naturel :

Pression minimale : 5" (colonne d'eau)

Pression maximale : 14" (colonne d'eau)

Gaz propane :

Pression minimale : 11" (colonne d'eau)

Pression maximale : 14" (colonne d'eau)

En cas d'incertitude quant à la pression d'alimentation à établir, contacter le fournisseur de gaz local.

Caractéristiques d'alimentation du brûleur

Les débits thermiques indiqués sur la plaque signalétique correspondent à une altitude d'utilisation inférieure à 2000 pi (609,6 m).

Lorsque l'appareil est utilisé à une altitude supérieure à 2000 pi (609,6 m), on doit réduire le débit thermique indiqué de 4 % pour chaque tranche de 1000 pi (304,8 m) au-dessus du niveau de la mer (non applicable au Canada).

Test de pressurisation de la canalisation de gaz

On doit tester le détendeur sous une pression supérieure d'au moins 1" (colonne d'eau) à la pression de la tubulure de distribution indiquée sur la plaque signalétique.

Pressurisation à une pression supérieure à $\frac{1}{2}$ lb/po² (14" – colonne d'eau)

Pour tout test de pressurisation du système à une pression supérieure à $\frac{1}{2}$ lb/po² (3,5 kPa), on doit déconnecter la cuisinière et son robinet d'arrêt des canalisations d'alimentation en gaz à pressuriser.

Pressurisation à une pression de $\frac{1}{2}$ lb/po² (14" – colonne d'eau) ou moins

La cuisinière devra être isolée des canalisations d'alimentation en gaz par la fermeture du robinet d'arrêt manuel individuel durant tout test de pressurisation des canalisations d'alimentation en gaz à une pression égale ou inférieure à $\frac{1}{2}$ lb/po² (3,5 kPa).

[†]TEFLON est une marque déposée de E.I. Du Pont De Nemours et Compagnie.

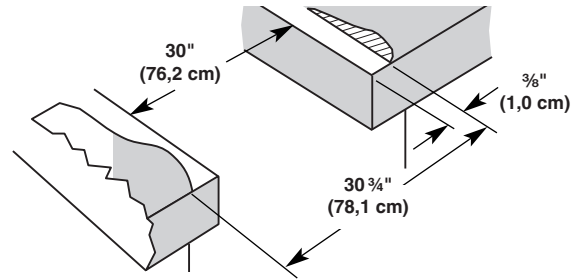
Préparation du plan de travail (pour cuisinières encastrables uniquement)

Les bords latéraux de la table de cuisson de la cuisinière encastrable seront placés en chevauchement sur les extrémités du plan de travail.

Si la largeur de l'espace disponible est de 30" (76,2 cm), et si la rive avant du plan de travail est plane et à l'équerre, aucune préparation du plan de travail ne sera nécessaire.

Si le bord avant du plan de travail a été réalisé par moulage, il sera nécessaire de réaliser une surface plane de $\frac{3}{8}$ " (1 cm) dans chaque angle avant de l'ouverture.

Il peut être nécessaire de tailler le carrelage du plan de travail sur $\frac{3}{8}$ " (1 cm) sur chaque angle à l'avant et/ou d'aplanir un bord arrondi.



Si la largeur de l'espace disponible pour le plan de travail est de plus de 30" (76,2 cm), ajuster la dimension de $\frac{3}{8}$ " (1 cm).

Il faut que le plan de travail soit horizontal. Placer un niveau sur le plan de travail; contrôler l'horizontalité transversalement, puis dans le sens avant/arrière. Si le plan de travail n'est pas horizontal, la cuisinière ne sera pas d'aplomb. Il faut que la cuisinière soit d'aplomb pour produire une performance de cuisson au four satisfaisante.

INSTRUCTIONS D'INSTALLATION

Déballage de la cuisinière

⚠ AVERTISSEMENT

Risque du poids excessif

Utiliser deux ou plus de personnes pour déplacer et installer la cuisinière.

Le non-respect de cette instruction peut causer une blessure au dos ou d'autre blessure.

1. Ôter les matériaux d'emballage, le ruban adhésif et la pellicule protectrice de la cuisinière. Garder la base de carton sous la cuisinière.
2. Retirer les grilles de four et le sachet de pièces de l'intérieur du four.

3. Pour retirer la base en carton, placer la cuisinière sur sa partie postérieure, prendre les 4 coins de protection du carton d'emballage. Empiler l'un des coins sur un autre. Répéter avec les 2 autres coins. Les disposer sur le plancher dans le sens de la longueur derrière la cuisinière à titre de support de la cuisinière lorsque celle-ci est placée sur sa partie postérieure.
4. À l'aide d'au moins deux personnes, saisir fermement la cuisinière et la déposer délicatement sur sa partie postérieure, sur les coins de protection.
5. Tirer fermement sur la partie inférieure du carton pour le retirer.
6. Utiliser une clé à molette pour desserrer les pieds de nivellement.
7. Placer un carton ou un panneau de fibres dur devant la cuisinière. À l'aide d'au moins 2 personnes, relever la cuisinière et la replacer sur le carton ou le panneau de fibres dur.

Réglage des pieds de nivellement

1. Si un ajustement de la hauteur de la cuisinière est nécessaire, utiliser une clé ou une pince pour desserrer les 4 pieds de nivellement.

Ceci doit être effectué alors que la cuisinière repose sur sa partie postérieure ou qu'elle est supportée par 2 pieds après avoir été replacée en position verticale.

REMARQUE : Pour placer à nouveau la cuisinière en position verticale, placer un carton ou un panneau de fibres dur devant la cuisinière. En utilisant au moins 2 personnes, relever la cuisinière et la placer sur le carton ou le panneau de fibres dur.

AVERTISSEMENT



Risque de basculement

Un enfant ou une personne adulte peut faire basculer la cuisinière, ce qui peut causer un décès.

Fixer la bride antibasculement au plancher ou au mur, conformément aux instructions d'installation.

Faire glisser de nouveau la cuisinière de façon à ce que le pied arrière de la cuisinière se trouve dans la fente de la bride antibasculement.

Réengager la bride antibasculement si la cuisinière a été déplacée.

Ne pas faire fonctionner la cuisinière si la bride antibasculement n'est pas installée et engagée.

Le non-respect de ces instructions peut causer un décès ou des brûlures graves aux enfants et aux adultes.

2. Ajuster les pieds de nivellement à la hauteur nécessaire. Les pieds de nivellement peuvent être desserrés pour ajouter une hauteur maximale de 1" (2,5 cm). Une longueur minimum de $\frac{3}{16}$ " (5 mm) est nécessaire pour engager la bride antibasculement.

REMARQUE : Si un ajustement de la hauteur est effectué alors que la cuisinière est debout, incliner la cuisinière vers l'arrière pour ajuster les pieds avant, puis incliner la cuisinière vers l'avant pour ajuster les pieds arrière.

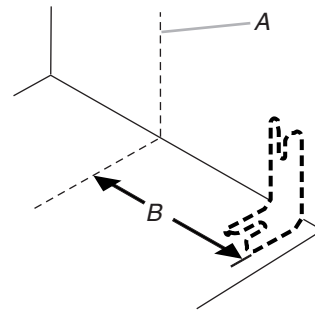
3. Lorsque la cuisinière est à la hauteur souhaitée, vérifier qu'il y a un espace suffisant sous la cuisinière pour loger la bride antibasculement. Avant de faire glisser la cuisinière à son emplacement final, vérifier qu'il sera possible de faire glisser la bride antibasculement sous la cuisinière et sur le pied de nivellement arrière avant l'installation de la bride antibasculement.

Installation de la bride antibasculement

1. Ôter la bride antibasculement fixée par du ruban adhésif au sachet de documentation.
2. Déterminer la méthode de montage à utiliser : au plancher ou au mur.

Pour un plancher en pierre ou en briquetage, on peut utiliser la méthode de montage au mur.

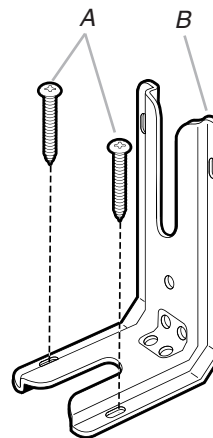
3. Déterminer et marquer l'axe central de l'espace à découper. On peut installer la bride de montage du côté gauche ou droit de l'ouverture découpée. Positionner la bride de montage dans la zone découpée de façon à ce que l'extrémité droite (ou gauche) de la bride se trouve à $14\frac{1}{4}$ " (36,2 cm) de l'axe central, tel qu'illustré.



A. Axe central
B. $14\frac{1}{4}$ " (36,2 cm)

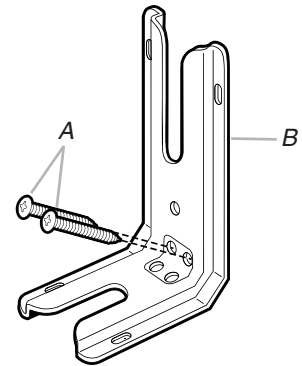
4. Percer deux trous de $\frac{1}{8}$ " (3 mm) qui correspondent aux trous de la bride selon la méthode de montage déterminée. Voir ci-dessous.

Montage au plancher



A. Vis n° 12 x $1\frac{5}{8}$ "
B. Bride antibasculement

Montage au mur



A. Vis n° 12 x $1\frac{5}{8}$ "
B. Bride antibasculement

5. À l'aide d'un tournevis Phillips, monter la bride antibasculement au mur ou au plancher avec les deux vis n°12 x $1\frac{5}{8}$ " fournies.

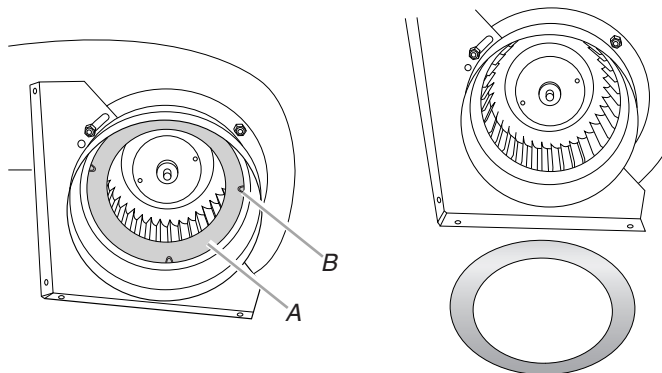
Installation du circuit d'évacuation par le bas

Déterminer la longueur équivalente du circuit d'évacuation

Cette cuisinière est équipée d'un ventilateur à deux débits. Sa configuration d'usine concerne les installations à faible aspiration. Si la longueur équivalente du système d'évacuation par le bas dépasse 30 pieds (9,1 m), le ventilateur d'aspiration doit être converti au mode à forte aspiration pour une meilleure performance. Voir "Calcul de la longueur effective du circuit d'évacuation".

Pour effectuer la conversion :

Retirer doucement l'anneau de réduction à ressort de l'entrée du ventilateur en appuyant sur l'un des trois ressorts.

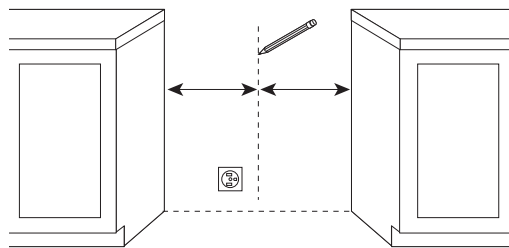


A. Anneau de réduction
B. Ressort

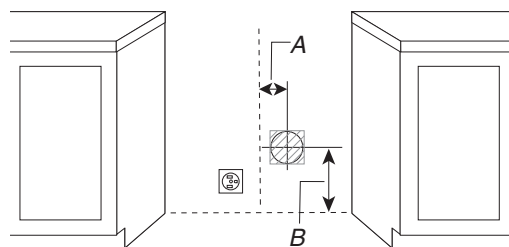
Déterminer la méthode d'évacuation à utiliser : par le plancher, le mur arrière, le côté droit ou le côté gauche. Consulter la section se rapportant à votre type d'évacuation.

Évacuation par le mur arrière

1. Tracer sur le mur l'axe central de l'ouverture entre les placards.

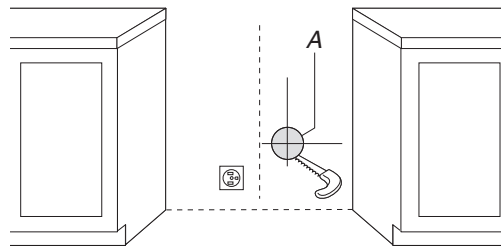


2. Vérifier l'absence d'obstruction avant de tracer l'emplacement du trou d'évacuation. Tracer une ligne horizontale à $8\frac{3}{16}$ " (20,8 cm) du sol. Tracer une ligne verticale à droite de l'axe central entre les placards, distante de $2\frac{1}{4}$ " (7,9 cm) au maximum de l'axe central.



A. $2\frac{1}{4}$ " (7,9 cm) maximum à droite de l'axe central
B. $8\frac{3}{16}$ " (20,8 cm) du sol

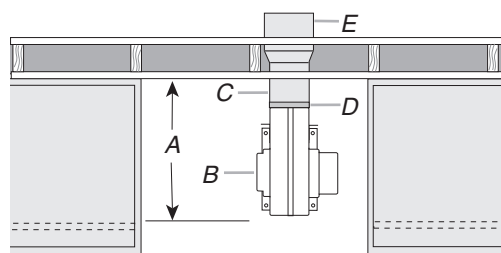
3. Tracer et découper un trou de $6\frac{1}{4}$ " (15,8 cm) de diamètre.



A. $6\frac{1}{4}$ " (15,8 cm)

4. Placer le ventilateur dans l'ouverture entre les placards. Raccorder le circuit d'évacuation à la sortie du ventilateur à l'aide d'une bride pour conduit.

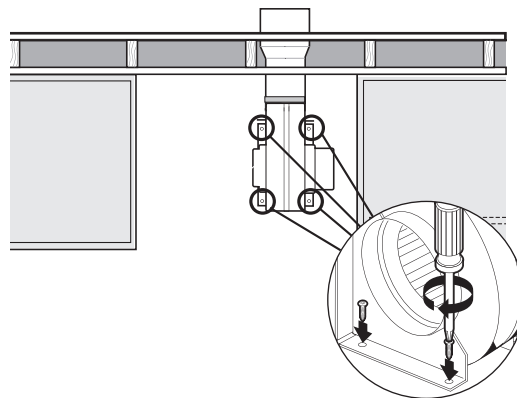
Vue de dessus



A. $18\frac{3}{4}$ " (47,6 cm) maximum entre l'ouverture entre les placards et le mur arrière
B. Entrée
C. Circuit d'évacuation
D. Bride pour conduit
E. Évacuation murale

5. Fixer le ventilateur au sol avec les 4 vis #8 x $\frac{3}{4}$ " à tête hexagonale fournies.

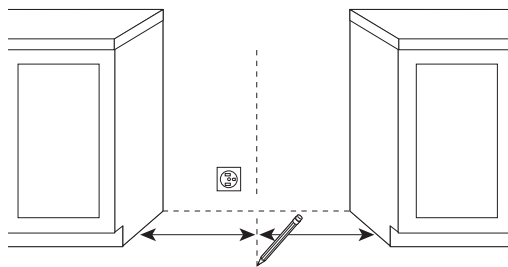
Vue de dessus



6. Voir la section "Raccordement électrique".

Évacuation par le plancher

1. Tracer au sol l'axe central de l'ouverture entre les placards.



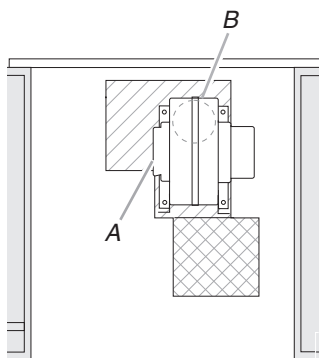
2. Placer le gabarit sur le sol à 2¼" (5,7 cm) du mur arrière en faisant correspondre son axe central avec l'axe central tracé au sol.

3. Déterminer la position correcte du trou d'évacuation en fonction des obstructions (solives) dans le plancher.

Le trou peut être découpé partout dans les limites de l'une des zones hachurées.

L'entrée du ventilateur doit faire face au côté gauche, tel qu'illustré sur le gabarit.

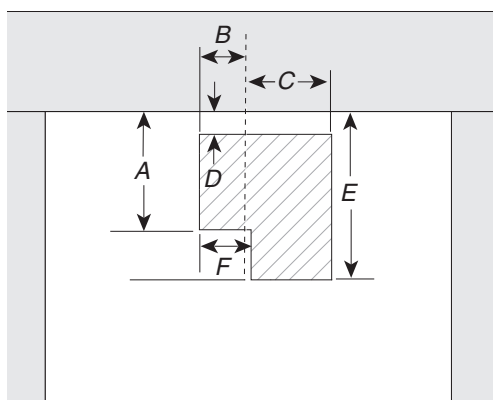
Vue de dessus



A. Entrée depuis la cuisinière
B. Sortie d'évacuation

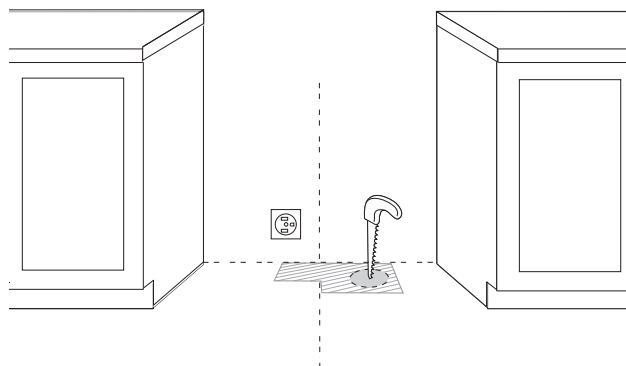
REMARQUE : Si le gabarit est égaré, les mesures suivantes peuvent servir à déterminer l'emplacement du trou d'évacuation.

Vue de dessus



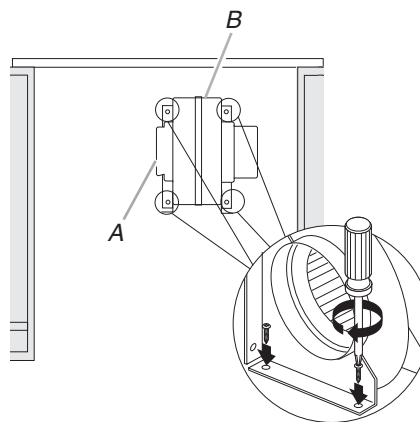
- | | |
|------------------|-------------------|
| A. 9" (22,8 cm) | D. 2¼" (5,7 cm) |
| B. 3⅜" (7,9 cm) | E. 12½" (31,7 cm) |
| C. 6⅝" (16,2 cm) | F. 3½" (8,9 cm) |

4. Tracer et découper un trou de 6¼" (15,8 cm) de diamètre.



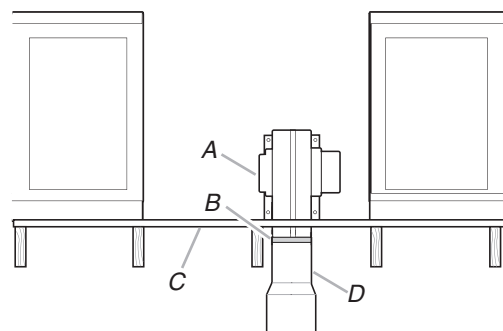
5. Placer le ventilateur dans l'ouverture entre les placards et le fixer au sol.

Vue de dessus



A. Entrée depuis la cuisinière
B. Sortie d'évacuation

6. Raccorder le circuit d'évacuation à la sortie du ventilateur (option 1 illustrée) avec les 4 vis #8 x ¼" à tête hexagonale fournies.

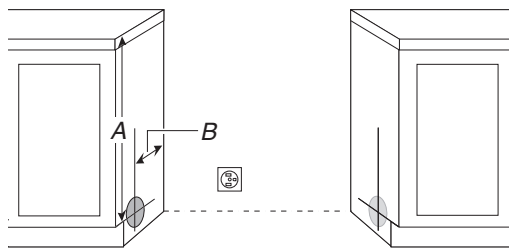


A. Entrée
B. Bride pour conduit
C. Plancher
D. Circuit d'évacuation

7. Voir la section "Raccordement électrique".

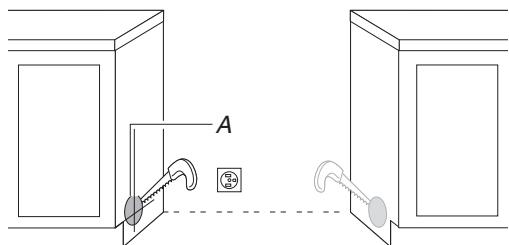
Évacuation par la gauche ou par la droite

1. Repérer sur le côté du placard l'emplacement du trou d'évacuation à droite ou à gauche.



A. 31 $\frac{3}{16}$ " (79,2 cm) jusqu'en haut du placard
B. 18" (45,7 cm) depuis le mur arrière

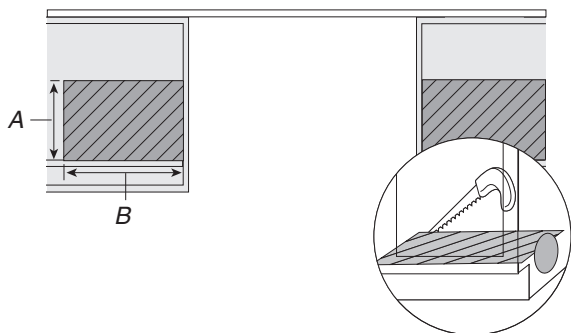
2. Tracer et découper un trou de 5 $\frac{1}{2}$ " (13,9 cm) de diamètre sur le placard du côté souhaité.



A. Trou de 5 $\frac{1}{2}$ " (13,9 cm) de diamètre

3. Tracer et découper une ouverture de 14" x 11" (35,6 x 27,9 cm) dans le plancher du placard portant la découpe du trou d'évacuation.

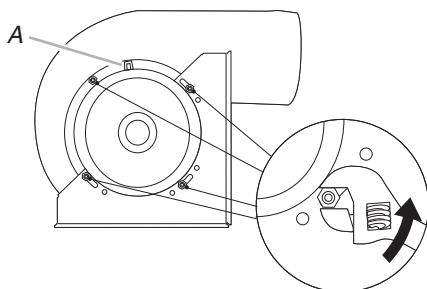
Vue de dessus



A. 11" (27,9 cm) à partir de l'avant du placard
B. 14" (35,6 cm) à partir du côté gauche du placard

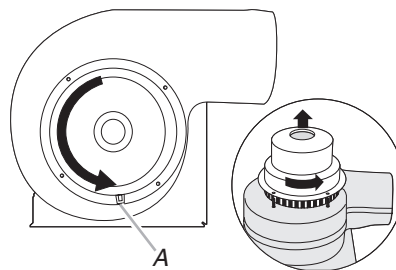
4. Dévisser les quatre écrous de blocage du côté moteur du ventilateur et retirer le support.

Vue du ventilateur côté moteur



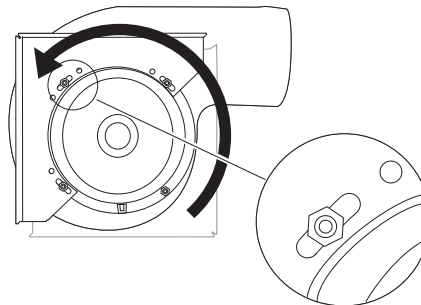
A. Connecteur électrique

5. Soulever le moteur et le faire pivoter de 180° pour replacer la connexion électrique.

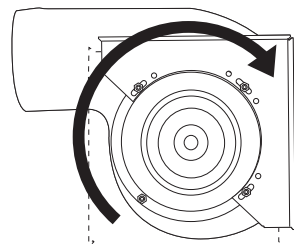


A. Connecteur électrique

6. Faire pivoter le support de 180° et le fixer avec les 4 écrous de blocage.

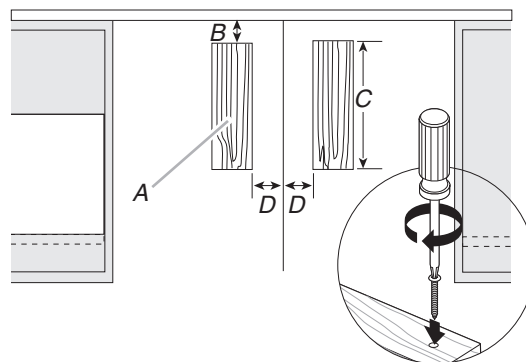


7. Dévisser le support de l'autre côté du ventilateur, le faire pivoter de 180° et le fixer avec les 4 écrous de blocage.



8. Placer 2 cales en bois et les fixer au sol.

Vue de dessus

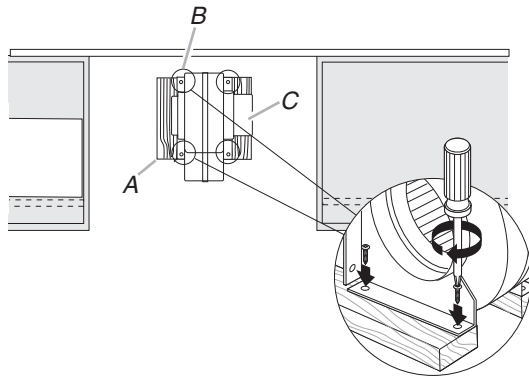


A. Cales de 2" x 4" (5 x 10,2 cm) en bois
B. 2 $\frac{7}{8}$ " (7,3 cm) entre l'arrière du mur et le bord de la cale en bois
C. 8 $\frac{3}{4}$ " (22,2 cm)
D. 2 $\frac{5}{16}$ " (5,8 cm) entre l'axe central de l'ouverture et la cale en bois

- Fixer le ventilateur aux cales en bois avec les 4 vis #8 x 3/4" à tête hexagonale fournies.

REMARQUE : Le circuit d'évacuation sera raccordé une fois la cuisinière à son emplacement final. Voir la section "Raccordement de la cuisinière au circuit d'évacuation par le bas".

Vue de dessus



A. Cales en bois
B. Support de montage
C. Ventilateur

- Voir la section "Raccordement électrique".

Raccordement au gaz

⚠ AVERTISSEMENT



Risque d'explosion

Utiliser une canalisation neuve d'arrivée de gaz approuvée par la CSA International.

Installer un robinet d'arrêt.

Bien serrer chaque organe de connexion de la canalisation de gaz.

En cas de connexion au gaz propane, demander à une personne qualifiée de s'assurer que la pression de gaz ne dépasse pas 36 cm (14 po) de la colonne d'eau.

Par personne qualifiée, on comprend :

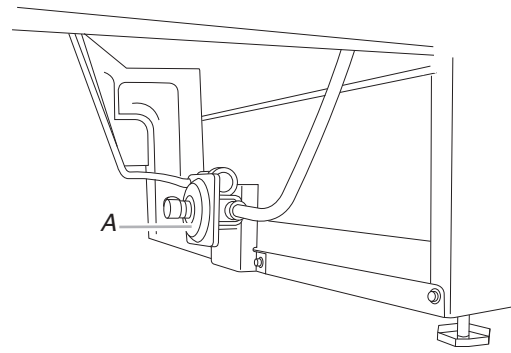
le personnel autorisé de chauffage,
le personnel autorisé d'une compagnie de gaz, et
le personnel d'entretien autorisé.

Le non-respect de ces instructions peut causer un décès, une explosion ou un incendie.

Raccordement typique par raccord flexible

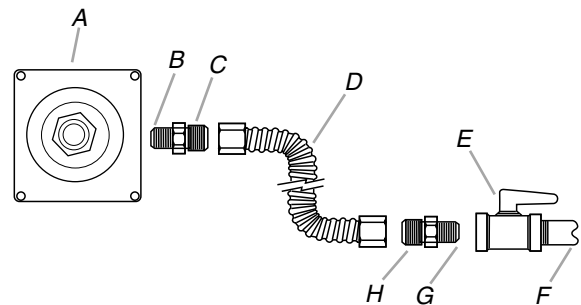
- Ouvrir le panneau d'accès en saisissant les côtés et en le soulevant pour l'extraire.

- Localiser le détendeur derrière le panneau d'accès.



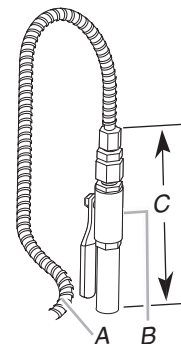
A. Détendeur

- Appliquer un composé d'étanchéité pour tuyauteries pour utilisation avec gaz propane sur les extrémités du petit filetage des raccords d'adaptation flexibles (voir B et G dans l'illustration suivante).
- Fixer un raccord d'adaptation sur le détendeur et l'autre raccord d'adaptation sur le robinet d'arrêt de la canalisation de gaz. Serrer les deux raccords d'adaptation.
- À l'aide d'une clé mixte de 15/16" et d'une clé à mollette, visser le raccord flexible sur les raccords d'adaptation. Veiller à ne pas déformer le raccord flexible.



A. Détendeur
B. Utiliser un composé d'étanchéité.
C. Raccord d'adaptation (avec filetage mâle NPT de 1/2")
D. Raccord flexible
E. Robinet d'arrêt manuel
F. Tuyau de gaz de 1/2" ou 3/4"
G. Utiliser une pâte à joints.
H. Raccord d'adaptation

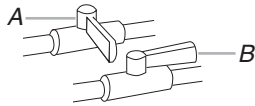
- La conduite d'arrivée du gaz doit être à moins de 10" (25,4 cm) au-dessus du sol.



A. Raccord flexible
B. Robinet d'arrêt manuel
C. Conduite droite de 10" (25,4 cm) max.

Achever le raccordement

1. Ouvrir le robinet d'arrêt manuel sur la canalisation de gaz. Le robinet est ouvert lorsque la manette est parallèle à la canalisation de gaz.

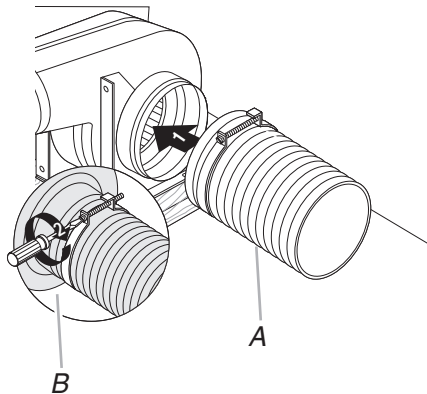


A. Robinet fermé
B. Robinet ouvert

2. Vérifier tous les raccordements en les badigeonnant d'une solution de détection des fuites non corrosive approuvée. L'apparition de bulles indique une fuite. Réparer toute fuite éventuelle.
3. Ôter les chapeaux et grilles de brûleur de la table de cuisson du sachet de pièces. Aligner les renforcements des chapeaux de brûleur avec les broches se trouvant sur la base du brûleur. Un chapeau de brûleur correctement placé doit être horizontal. Si le chapeau de brûleur n'est pas correctement placé, le brûleur de surface ne peut s'allumer. Placer les grilles de brûleur sur les brûleurs et les chapeaux.

Raccordement de la cuisinière au circuit d'évacuation par le bas

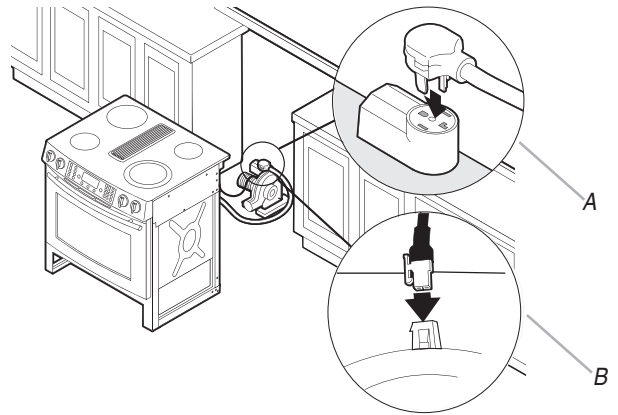
1. Raccorder le conduit flexible (fourni) à l'entrée du ventilateur à l'aide d'une bride pour conduit.



A. Conduit flexible d'entrée
B. Bride pour conduit

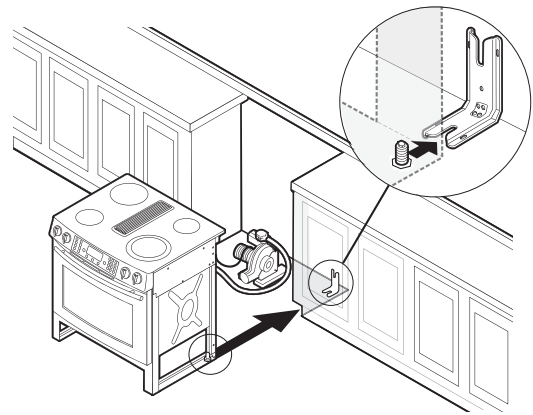
2. Vérifier la hauteur du plan de travail pour s'assurer que la cuisinière passe dessous. Régler les pieds de nivellement le cas échéant.
3. Déposer le panneau d'accès en le tirant vers le haut des deux mains de chaque côté et en le soulevant pour l'extraire.
4. Déplacer la cuisinière près de l'ouverture d'encastrement.
5. Brancher la cuisinière à une prise reliée à la terre (en cas d'utilisation d'un cordon d'alimentation).

6. Brancher le connecteur électrique de la cuisinière au ventilateur d'évacuation par le bas.

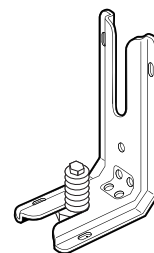


A. Cordon d'alimentation (sur certaines installations)
B. Connecteur électrique de la cuisinière au ventilateur

7. Retirer le carton ou le panneau de fibre dur de sous la cuisinière. À deux personnes ou plus, déplacer doucement la cuisinière à son emplacement final.

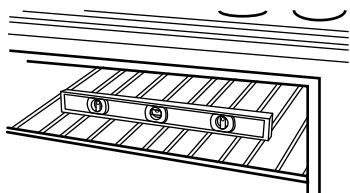


8. Vérifier que les câbles électriques ne sont pas pincés. Au moyen d'une torche électrique, inspecter le dessous de la cuisinière.
9. Vérifier que la bride antibasculement est bien installée et engagée.
 - a.) Ouvrir le panneau d'accès en le saisissant par les côtés et en le soulevant pour l'extraire.
 - b.) Au moyen d'une torche électrique, inspecter le dessous de la cuisinière.
 - c.) Inspecter la cuisinière pour vérifier que le pied arrière de la cuisinière est bien inséré dans la fente de la bride antibasculement.



10. Régler l'aplomb de la cuisinière.

- Placer la grille dans le four.
- Placer un niveau sur la grille et contrôler l'aplomb de la cuisinière, d'abord transversalement, puis dans le sens avant/arrière.



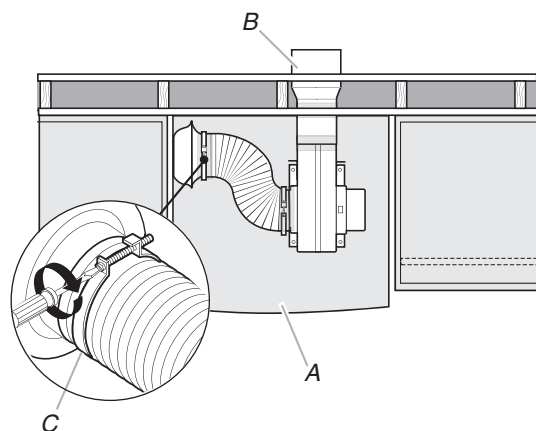
- Si la cuisinière n'est pas d'aplomb, la tirer de nouveau pour que le pied de nivellement arrière se dégage de la bride antibasculement.
- Utiliser une pince multiprise pour régler les pieds de nivellement vers le haut ou vers le bas jusqu'à ce que la cuisinière soit d'aplomb.
- Repousser la cuisinière pour la remettre en place.
- Vérifier que le pied de nivellement arrière est engagé dans la bride antibasculement.

REMARQUE : La cuisinière doit être d'aplomb pour que les résultats de cuisson au four soient satisfaisants.

- Selon votre installation, raccorder le conduit flexible d'entrée du ventilateur à la cuisinière au moyen d'une bride pour conduit.

Évacuation par le mur

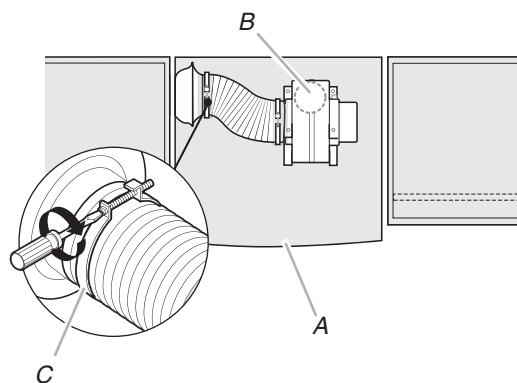
Vue de dessus



A. Cuisinière
B. Sortie d'évacuation murale
C. Bride pour conduit

Évacuation par le plancher

Vue de dessus

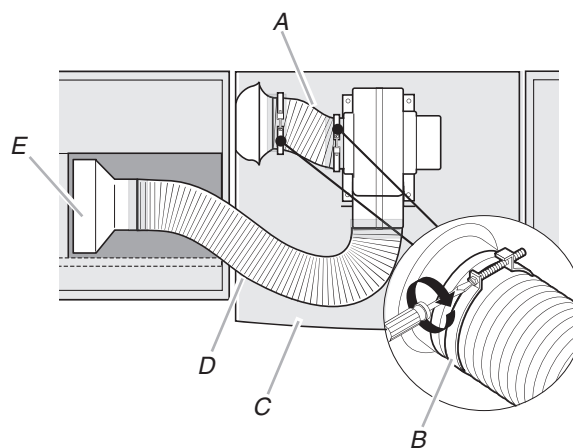


A. Cuisinière
B. Sortie d'évacuation par le plancher
C. Bride pour conduit

Évacuation latérale (évacuation par la gauche illustrée)

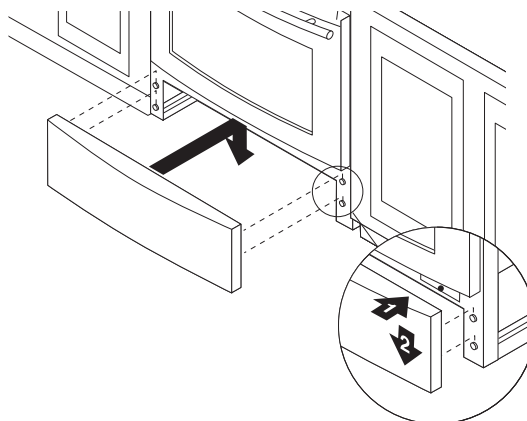
Raccorder le conduit d'évacuation flexible à la cuisinière et le circuit d'évacuation à la sortie du ventilateur.

Vue de dessus

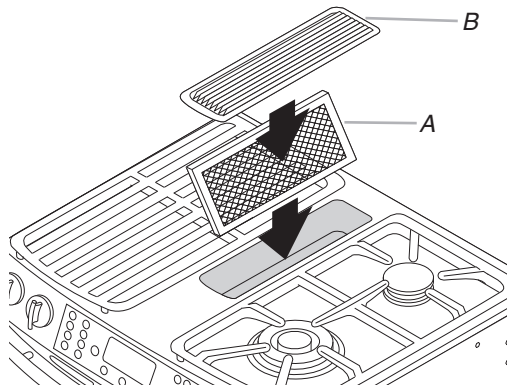


A. Conduit flexible vers la cuisinière
B. Bride pour conduit
C. Cuisinière
D. Circuit d'évacuation
E. Sortie d'évacuation latérale

- Remplacer le panneau d'accès.



13. Insérer le filtre d'évacuation par le bas et placer la plaque de décharge par-dessus l'ouverture.



A. Filtre
B. Grille

14. Reconnecter la source de courant électrique.

Systeme d'allumage électronique

Allumage initial et réglages des flammes de gaz

À la place de flammes de veille, les brûleurs de la table de cuisson sont dotés d'allumeurs électroniques. Lorsqu'on place le bouton de commande de la table de cuisson à la position "LITE" (allumage), le système génère une étincelle pour l'allumage du brûleur. La génération d'étincelles se poursuit aussi longtemps que le bouton de commande est laissé à la position "LITE".

Contrôle du fonctionnement des brûleurs de la table de cuisson

Brûleurs standard de la table de cuisson

Enfoncer et tourner chaque bouton de commande à la position "LITE".

Les flammes doivent s'allumer sur le brûleur en moins de 4 secondes. Lors de l'allumage initial du brûleur, le délai d'allumage peut être supérieur à 4 secondes du fait de la présence d'air dans la canalisation de gaz.

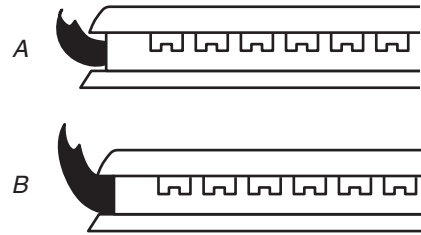
Si les brûleurs ne s'allument pas correctement :

- Tourner le bouton de commande de la table de cuisson à la position "OFF" (arrêt).
- Vérifier que la cuisinière est branchée et correctement alimentée (fusible grillé? disjoncteur ouvert?)
- Vérifier que chaque robinet d'arrêt de gaz est à la position "open" (ouverture).
- Vérifier que les chapeaux de brûleurs sont correctement placés sur la base des brûleurs.

Répéter le processus de mise en marche. Si à ce point un brûleur ne s'allume pas, tourner les boutons de commande à Off (arrêt) et contacter le revendeur ou un dépanneur agréé.

Réglage de la taille des flammes

Régler la taille des flammes sur les brûleurs de la table de cuisson. Pour le réglage au débit thermique minimum, on doit observer des flammes stables bleues de 1/4" (0,64 cm).



A. Débit thermique minimum
B. Débit thermique maximum

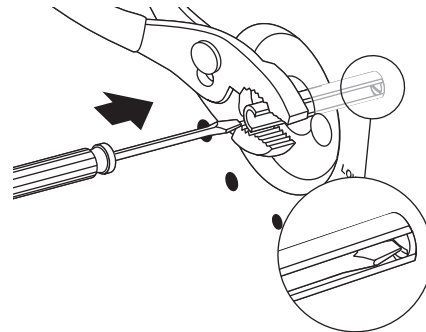
Réglage des brûleurs standard

La vis de réglage au centre de la tige de commande du robinet permet de régler la taille des flammes. La tige de commande est située directement au-dessous du bouton de commande.

S'il est nécessaire de régler la taille des flammes pour le débit thermique minimum :

1. Allumer 1 brûleur et le tourner au réglage le plus bas.
2. Ôter le bouton de commande.

Immobiliser la tige de commande avec une pince. Utiliser un petit tournevis à lame plate de 1/8" (3 mm) pour faire tourner la vis située au centre de la tige du bouton de commande jusqu'à ce que la flamme atteigne la taille désirée.



3. Réinstaller le bouton de commande.
4. Tester le fonctionnement du brûleur : faire passer le bouton de commande de la position "LO" (basse) à la position "HI" (élevée) et observer les flammes pour chaque réglage.
5. Répéter les étapes ci-dessus pour chaque brûleur.

Achever l'installation

1. Vérifier que toutes les pièces sont maintenant installées. S'il reste une pièce, passer en revue les différentes étapes pour découvrir laquelle aurait été oubliée.
2. Vérifier la présence de tous les outils.
3. Jeter/recycler tous les matériaux d'emballage.
4. Vérifier que la cuisinière est d'aplomb. Voir "Raccordement de la cuisinière au circuit d'évacuation par le bas".
5. Utiliser une solution d'eau tiède et de nettoyant ménager doux pour éliminer tout résidu de cire laissé par les matériaux de l'emballage. Sécher parfaitement avec un linge doux. Pour plus d'informations, consulter la section "Entretien de la cuisinière" dans le Guide d'utilisation et d'entretien.
6. Lire la section "Utilisation de la cuisinière" dans le Guide d'utilisation et d'entretien.
7. Mettre en marche les brûleurs de surface et le four. Pour des instructions spécifiques concernant l'utilisation de la cuisinière, consulter le Guide d'utilisation et d'entretien.

Si la cuisinière ne fonctionne pas, contrôler ce qui suit :

- Les fusibles du domicile sont intacts et serrés; le disjoncteur n'est pas déclenché.
 - La cuisinière est branchée sur une prise électrique.
 - La prise de courant est correctement alimentée.
 - Consulter la section "Dépannage" dans le Guide d'utilisation et d'entretien.
8. Après 5 minutes de fonctionnement de la cuisinière, vérifier la chaleur. Si aucune émanation de chaleur n'est perceptible, éteindre la cuisinière et vérifier que le robinet d'arrêt de la canalisation de gaz est ouvert.
 - Si le robinet d'arrêt de la canalisation de gaz est fermé, l'ouvrir, puis répéter le test de 5 minutes décrit ci-dessus.
 - Si le robinet d'arrêt de la canalisation de gaz est ouvert, le fermer et contacter un technicien qualifié.

Si vous avez besoin d'assistance ou de service :

Consulter la section "Assistance ou service" du Guide d'utilisation et d'entretien ou contacter le marchand chez qui vous avez acheté votre cuisinière.

CONVERSIONS POUR CHANGEMENT DE GAZ

Les conversions du gaz naturel au propane ou du propane au gaz naturel doivent être effectuées par un installateur qualifié.

⚠ AVERTISSEMENT



Risque d'explosion

Utiliser une canalisation neuve d'arrivée de gaz approuvée par la CSA International.

Installer un robinet d'arrêt.

Bien serrer chaque organe de connexion de la canalisation de gaz.

En cas de connexion au gaz propane, demander à une personne qualifiée de s'assurer que la pression de gaz ne dépasse pas 36 cm (14 po) de la colonne d'eau.

Par personne qualifiée, on comprend :

le personnel autorisé de chauffage,
le personnel autorisé d'une compagnie de gaz, et
le personnel d'entretien autorisé.

Le non-respect de ces instructions peut causer un décès, une explosion ou un incendie.

Conversion pour l'alimentation au propane

⚠ AVERTISSEMENT



Risque de basculement

Un enfant ou une personne adulte peut faire basculer la cuisinière, ce qui peut causer un décès.

Fixer la bride antibasculement au plancher ou au mur, conformément aux instructions d'installation.

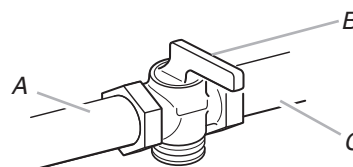
Faire glisser de nouveau la cuisinière de façon à ce que le pied arrière de la cuisinière se trouve dans la fente de la bride antibasculement.

Réengager la bride antibasculement si la cuisinière a été déplacée.

Ne pas faire fonctionner la cuisinière si la bride antibasculement n'est pas installée et engagée.

Le non-respect de ces instructions peut causer un décès ou des brûlures graves aux enfants et aux adultes.

1. Fermer le robinet d'arrêt manuel.

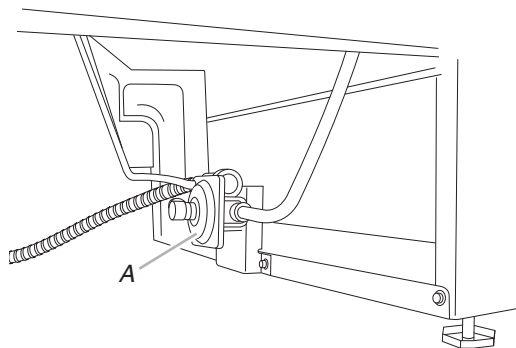


- A. Vers la cuisinière
B. Robinet d'arrêt (position de fermeture)
C. Canalisation de gaz

2. Débrancher la cuisinière ou déconnecter la source de courant électrique.

Conversion du détendeur de gaz

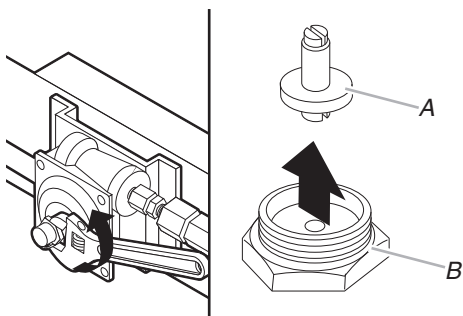
1. Déposer le panneau d'accès en le tirant vers le haut des deux mains de chaque côté et en le soulevant pour l'extraire.
2. Accéder au détendeur de gaz situé à derrière le panneau d'accès.



A. Détendeur

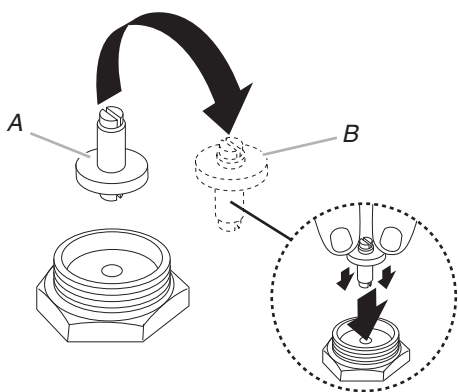
IMPORTANT : Ne pas enlever le détendeur.

3. Dévisser le chapeau du détendeur et retirer le couvercle de plastique.



A. Couvercle de plastique
B. Chapeau du détendeur

4. Basculer le chapeau du détendeur et remplacer le couvercle de plastique.

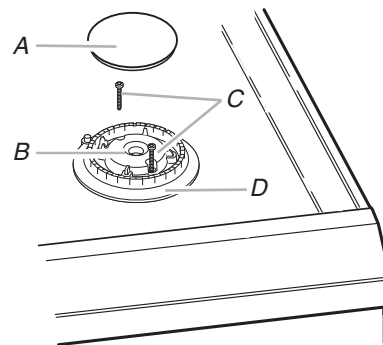


A. Position gaz naturel
B. Position propane

5. Revisser soigneusement le chapeau du détendeur. Ne pas serrer excessivement.

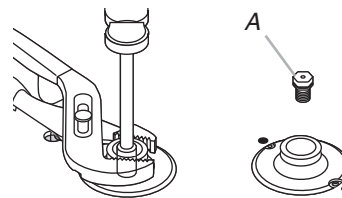
Conversion des brûleurs de surface

1. Enlever les grilles de brûleur si elles sont installées.
2. Retirer les chapeaux de brûleur.
3. À l'aide d'un tournevis Phillips, retirer la base du brûleur.



A. Chapeau de brûleur
B. Ouverture du tube d'arrivée de gaz
C. Vis de la base du brûleur
D. Base du brûleur

4. Apposer du ruban adhésif de masquage à l'extrémité d'un tourne-écrou de $\frac{9}{32}$ " (7 mm), pour retenir le gicleur de gaz naturel à l'extrémité du tourne-écrou pour l'opération de remplacement. Appuyer le tourne-écrou sur le gicleur du gaz naturel; tourner dans le sens antihoraire pour dévisser, et extraire le gicleur. Conserver le gicleur pour gaz naturel.



A. Gicleur pour gaz naturel

Utiliser le tableau suivant pour déterminer le gicleur à gaz propane adapté à chaque brûleur. Se reporter à la plaque signalétique située en bas du châssis du four pour déterminer le calibre correct des gicleurs à propane correspondant à l'emplacement de chaque brûleur.

Tableau de sélection des gicleurs pour gaz propane

Emplacement	Puissance thermique	Couleur	Numéro
Avant droit	14 000 BTU	Rouge	114L
Arrière droit	4 000 BTU	Bleu	64L
Avant gauche	8 000 BTU	Transparent	35L
Arrière gauche	8 000 BTU	Transparent	35L

5. Remplacer le gicleur pour gaz naturel par le gicleur pour gaz propane approprié. Voir le "Tableau de sélection des gicleurs pour gaz propane".
6. Replacer la base du brûleur et serrer les vis à la main.
7. Réinstaller le chapeau de brûleur.
8. Répéter les étapes 1 à 7 pour les autres brûleurs.
9. Placer les gicleurs pour gaz naturel dans le sachet de plastique et avec les documents fournis avec l'appareil, pour pouvoir les réutiliser ultérieurement.

10. Replacer les grilles des brûleurs.
11. Brancher la cuisinière ou reconnecter la source de courant électrique.
12. Achever l'installation. Voir les sections "Raccordement à la canalisation de gaz" et "Système d'allumage électronique".
Il est très important de vérifier que les flammes de brûleur de la table de cuisson sont correctes. Le petit cône intérieur doit comporter une flamme bleue très nette de 1/4" à 1/2" de longueur. Le cône extérieur de la flamme n'est pas aussi net que le cône intérieur. Les flammes d'un brûleur alimenté au propane comportent une pointe légèrement jaune.

IMPORTANT : Il peut être nécessaire de modifier le réglage des flammes à la position du débit thermique minimum pour chaque brûleur de la table de cuisson.

Conversion pour l'alimentation au gaz naturel

AVERTISSEMENT



Risque de basculement

Un enfant ou une personne adulte peut faire basculer la cuisinière, ce qui peut causer un décès.

Fixer la bride antibasculement au plancher ou au mur, conformément aux instructions d'installation.

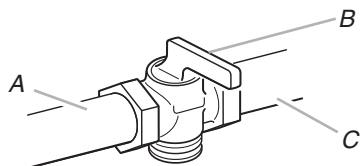
Faire glisser de nouveau la cuisinière de façon à ce que le pied arrière de la cuisinière se trouve dans la fente de la bride antibasculement.

Réengager la bride antibasculement si la cuisinière a été déplacée.

Ne pas faire fonctionner la cuisinière si la bride antibasculement n'est pas installée et engagée.

Le non-respect de ces instructions peut causer un décès ou des brûlures graves aux enfants et aux adultes.

1. Fermer le robinet d'arrêt manuel.

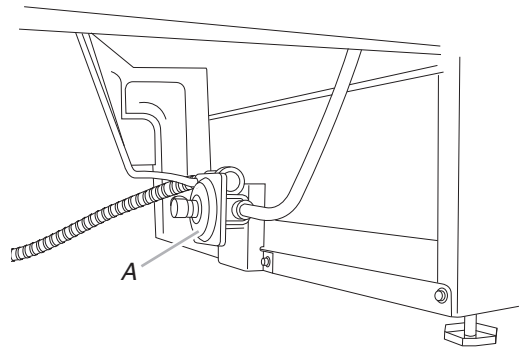


- A. Vers la cuisinière
- B. Robinet d'arrêt (position de fermeture)
- C. Canalisation de gaz

2. Débrancher la cuisinière ou déconnecter la source de courant électrique.

Conversion du détendeur

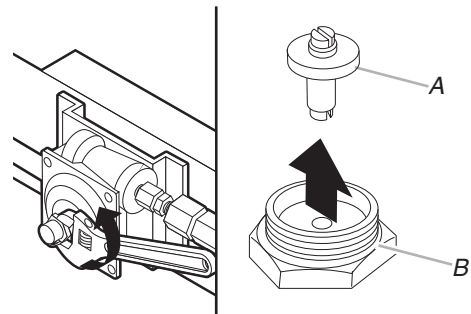
1. Déposer le panneau d'accès en le tirant vers le haut des deux mains de chaque côté et en le soulevant pour l'extraire.
2. Accéder au détendeur de gaz derrière le panneau d'accès.



A. Détendeur

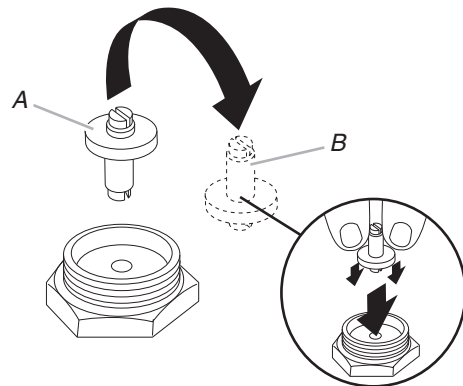
IMPORTANT : Ne pas enlever le détendeur.

3. Dévisser le chapeau du détendeur et retirer le couvercle de plastique.



A. Couvercle de plastique
B. Chapeau du détendeur

4. Basculer le chapeau du détendeur et replacer le couvercle de plastique.

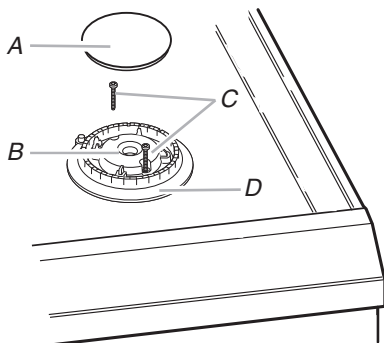


A. Position propane
B. Position gaz naturel

5. Revisser soigneusement le chapeau du détendeur. Ne pas serrer excessivement.

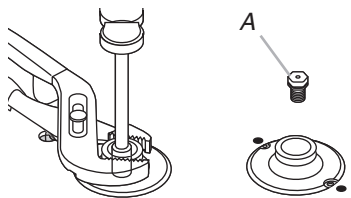
Conversion des brûleurs de surface

1. Enlever les grilles de brûleur si elles sont installées.
2. Retirer les chapeaux de brûleur.
3. À l'aide d'un tournevis Phillips, retirer la base du brûleur.



A. Chapeau de brûleur
B. Ouverture du tube d'arrivée de gaz
C. Vis de la base du brûleur
D. Base du brûleur

4. Apporter du ruban adhésif de masquage à l'extrémité d'un tourne-écrou de $\frac{9}{32}$ " (7,0 mm), pour retenir le gicleur de propane à l'extrémité du tourne-écrou pour l'opération de remplacement. Appuyer le tourne-écrou sur le gicleur du propane; tourner dans le sens antihoraire pour dévisser, et extraire le gicleur. Conserver le gicleur pour propane.



A. Gicleur de gaz naturel

Utiliser le tableau suivant pour déterminer le gicleur à gaz naturel adapté à chaque brûleur. Se reporter à la plaque signalétique située en bas du châssis du four pour déterminer le calibre correct des gicleurs à gaz naturel correspondant à l'emplacement de chaque brûleur.

Tableau de sélection des gicleurs pour gaz naturel

Emplacement	Puissance thermique	Couleur	Numéro
Avant droit	16 000 BTU	Transparent	190N
Arrière droit	5 000 BTU	Vert	107N
Avant gauche	8 500 BTU	Transparent	52N
Arrière gauche	8 500 BTU	Transparent	52N

5. Remplacer le gicleur pour gaz propane par un gicleur correct pour gaz naturel. Voir le "Tableau de sélection des gicleurs pour gaz naturel".
6. Replacer la base du brûleur et serrer les vis à la main.
7. Réinstaller le chapeau de brûleur.
8. Répéter les étapes 1 à 7 pour les brûleurs restants.
9. Placer les gicleurs pour gaz propane dans le sachet de plastique et avec les documents fournis avec l'appareil, pour pouvoir les réutiliser ultérieurement.
10. Replacer les grilles des brûleurs.
11. Brancher la cuisinière ou reconnecter la source de courant électrique.
12. Achever l'installation. Voir les sections "Raccordement à la canalisation de gaz" et "Système d'allumage électronique".

Il est très important de vérifier que les flammes de brûleur de la table de cuisson sont correctes. Le petit cône intérieur doit comporter une flamme bleue très nette de $\frac{1}{4}$ " à $\frac{1}{2}$ " de longueur. Le cône extérieur de la flamme n'est pas aussi net que le cône intérieur. Les flammes d'un brûleur alimenté au gaz naturel ne comportent pas de pointe jaune.

IMPORTANT : Il peut être nécessaire de modifier le réglage des flammes à la position du débit thermique minimum pour chaque brûleur de la table de cuisson.