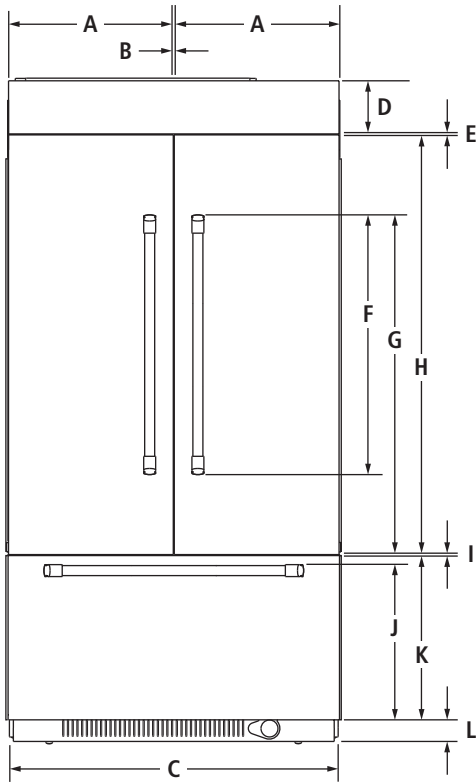


42" FULLY INTEGRATED FRENCH DOOR REFRIGERATOR

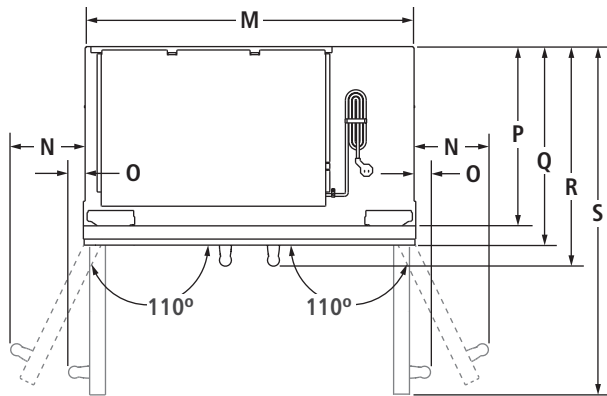
(BASE UNIT REQUIRES SUITE-COORDINATING PANEL KIT OR CUSTOM PANELS AND HANDLES)

JF42NXFXDW – 41⁷/₈" x 83¹/₈" x 24"

PRODUCT DIMENSIONS



FRONT VIEW



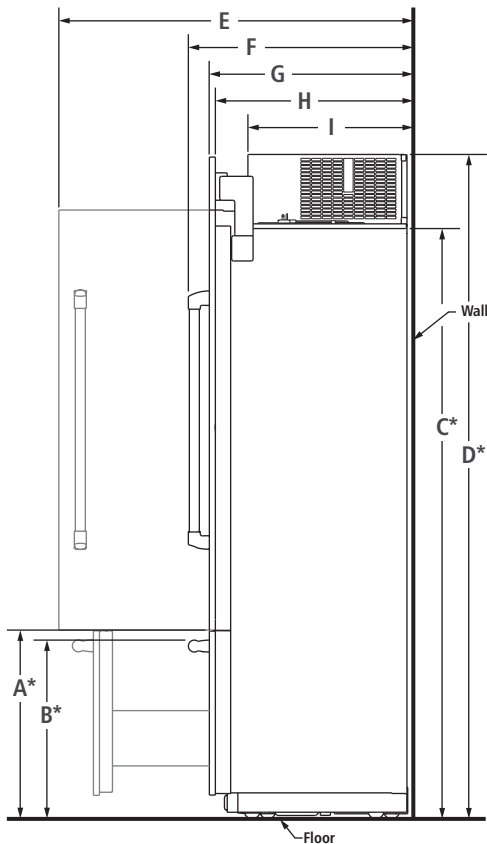
TOP VIEW

MODEL #		JF42NXFXDW	
		in	cm
A	Width of each door	20 ⁵ / ₈	52.4
B	Space between doors	1 ¹ / ₈	0.3
C	Overall width	41 ⁷ / ₈	106.4
D	Height of top grille and bracket	6 ¹ / ₂	16.5
E	Space between doors and top grille	3 ³ / ₈	0.8
F	Height of door handles Pro-Style® Stainless	32 ³ / ₈	82.2
	Euro-Style Stainless	37 ⁷ / ₈	96.0
G	Height to top of door handles Pro-Style® Stainless	42 ³ / ₈	107.6
	Euro-Style Stainless	44 ⁷ / ₈	114.0
H	Height of doors	52 ³ / ₈	133.0
I	Space between doors and drawer	1 ¹ / ₈	0.3
J	Height to top of drawer handle Pro-Style® Stainless	19 ³ / ₈	49.2
	Euro-Style Stainless	19 ¹ / ₄	48.7
K	Height of drawer	20 ¹ / ₂	52.1
L	Height of bottom grille	3	7.6
M	Width of recessed refrigerator	41	104.1
N	Width from side of refrigerator to handle – door fully open 110° Pro-Style® Stainless	7 ⁷ / ₈	20.0
	Euro-Style Stainless	7 ¹ / ₄	18.5
O	Width from side of refrigerator to handle – door open 90° Pro-Style® Stainless	2	5.1
	Euro-Style Stainless	1 ¹ / ₂	3.9
P	Depth without door panel kit	24	61.0
Q	Depth with doors Pro-Style® Stainless panel kit	24 ³ / ₄	62.9
	Euro-Style Stainless panel kit	24 ³ / ₄	62.9
	Custom panel (3/4"/1.9 cm)	24 ³ / ₄	62.9
R	Depth with handles Pro-Style® Stainless	27 ³ / ₈	69.5
	Euro-Style Stainless	26 ⁷ / ₈	68.3
S	Depth with doors open 90°	43 ³ / ₄	111.1

42" FULLY INTEGRATED FRENCH DOOR REFRIGERATOR
 (BASE UNIT REQUIRES SUITE-COORDINATING PANEL KIT OR CUSTOM PANELS AND HANDLES)

JF42NXFXDW – 41⁷/₈" x 83¹/₈" x 24"

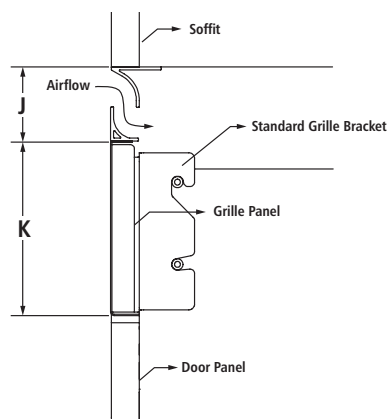
DIMENSIONS AS INSTALLED



SIDE VIEW

MODEL #	JF42NXFXDW	
	in	cm
A*	Height to top of drawer (min.)	23 ¹ / ₂ 59.7
B*	Height to top of drawer handle (min.)	
	Pro-Style® Stainless	22 ³ / ₈ 56.8
	Euro-Style Stainless	22 ¹ / ₄ 56.3
C*	Height to top of doors (min.)	74 ³ / ₈ 188.9
D*	Height to top of grille and bracket (min.)	83 ¹ / ₈ 211.1
E	Depth with door open 90° (min.)	43 ³ / ₄ 111.1
F	Depth with handles (min.)	
	Pro-Style® Stainless	27 ³ / ₈ 69.5
	Euro-Style Stainless	26 ⁷ / ₈ 68.3
G	Depth with doors (min.)	
	Pro-Style® Stainless panel kit	24 ³ / ₄ 62.9
	Euro-Style Stainless panel kit	24 ³ / ₄ 62.9
	Custom panel (¾"/1.9 cm)	24 ³ / ₄ 62.9
H	Depth without door panel kit (min.)	24 61.0
I	Depth of compressor (min.)	19 ⁷ / ₈ 50.5
J	Space between top grille and soffit	1 2.5
K	Height of top grille	5 ¹ / ₂ 14.0

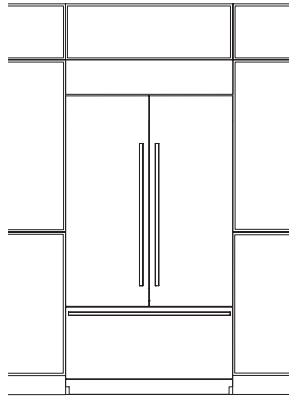
*Add 1¹/₈" (2.9 cm) to the height dimension when leveling legs are fully extended.



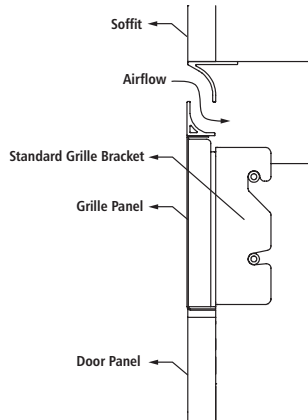
SIDE VIEW – PANEL KIT

42" FULLY INTEGRATED FRENCH DOOR REFRIGERATOR
 (BASE UNIT REQUIRES SUITE-COORDINATING PANEL KIT OR CUSTOM PANELS AND HANDLES)
JF42NXFXDW – 417/8" x 831/8" x 24"

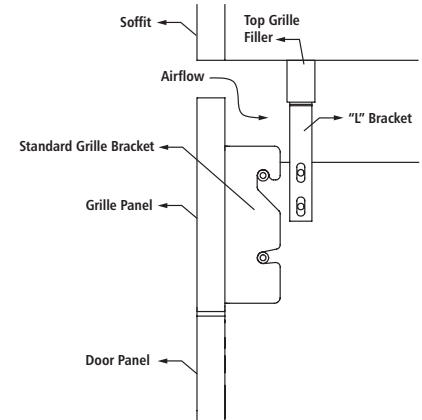
STANDARD INSTALLATION REQUIREMENTS – FLUSH GRILLE PANEL



FRONT VIEW



SIDE VIEW – PANEL KIT



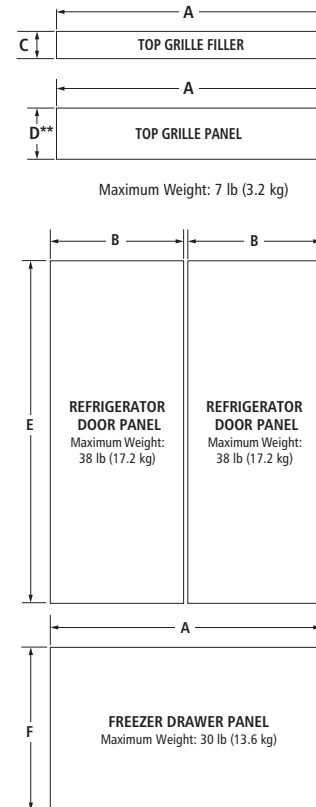
SIDE VIEW – CUSTOM PANEL

- Attach the standard grille with the provided standard grille bracket.
- This bracket allows for the required minimum air gap between the refrigerator and the grille.

STANDARD INSTALLATION – FLUSH GRILLE CUSTOM OVERLAY PANEL DIMENSIONS

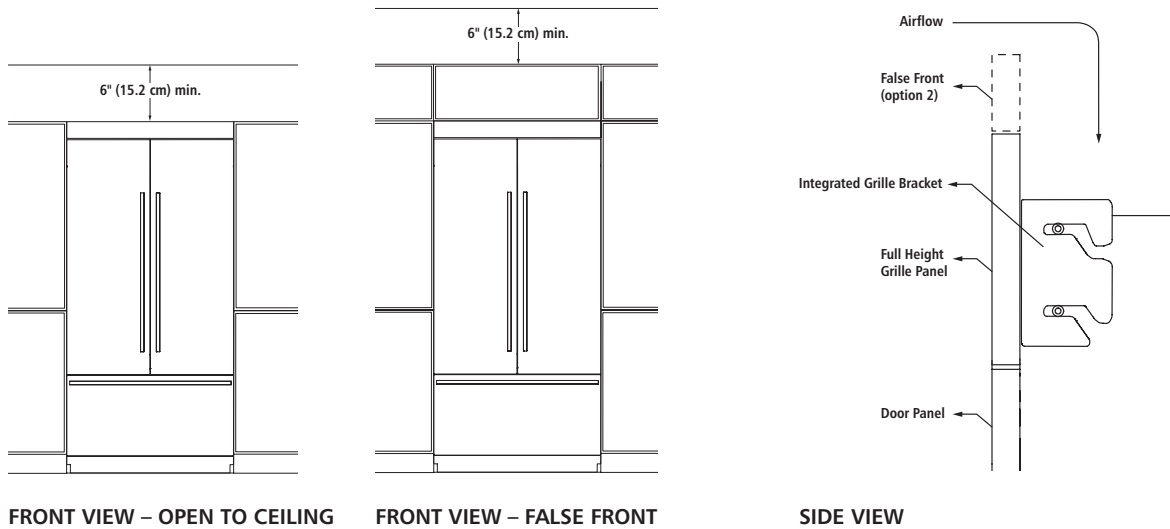
MODEL #		JF42NXFXDW	
		in	cm
REVEAL*		3/8	1.0
A	Width of panel	41 1/4	104.8
B	Width of door panels	20 9/16	52.2
C	Height of top grille filler	1	2.5
D**	Height of top grille panel	5 3/4	14.6
E	Height of refrigerator door panels	52 3/8	133.0
F	Height of freezer drawer panel	20 1/2	52.1
REVEAL*		1/8	0.3
A	Width of panel	41 3/4	106.0
B	Width of door panels	20 13/16	52.9
C	Height of top grille filler	1	2.5
D**	Height of top grille panel	5 3/4	14.6
E	Height of refrigerator door panels	52 3/8	133.0
F	Height of freezer drawer panel	20 1/2	52.1

*Gap between door panel and adjacent cabinet.
 **Grille panel height allows for an air gap critical to refrigerator performance.
 NOTE: The required thickness for all panels is 3/4" (1.9 cm). This installation does not require filler or backer panels.



42" FULLY INTEGRATED FRENCH DOOR REFRIGERATOR
 (BASE UNIT REQUIRES SUITE-COORDINATING PANEL KIT OR CUSTOM PANELS AND HANDLES)
JF42NXFXDW – 417/8" x 831/8" x 24"

INTEGRATED INSTALLATION REQUIREMENTS – FULL-HEIGHT GRILLE PANEL



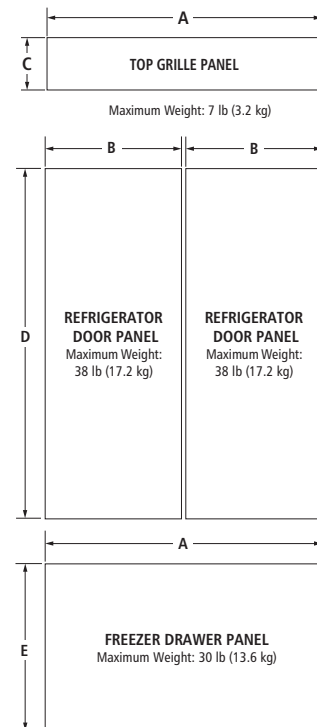
- Attach the full-height grille with the provided integrated grille bracket.
- Requires a minimum of 6" (15.2 cm) of open space above the refrigerator, which must not be blocked in any way, including soffits.

INTEGRATED INSTALLATION – FULL-HEIGHT GRILLE CUSTOM OVERLAY PANEL DIMENSIONS

Airflow Venting Requirements

Fully integrated installations require a minimum of 6" (15.2 cm) of open space above the refrigerator. This space must not be blocked in any way, including soffits.

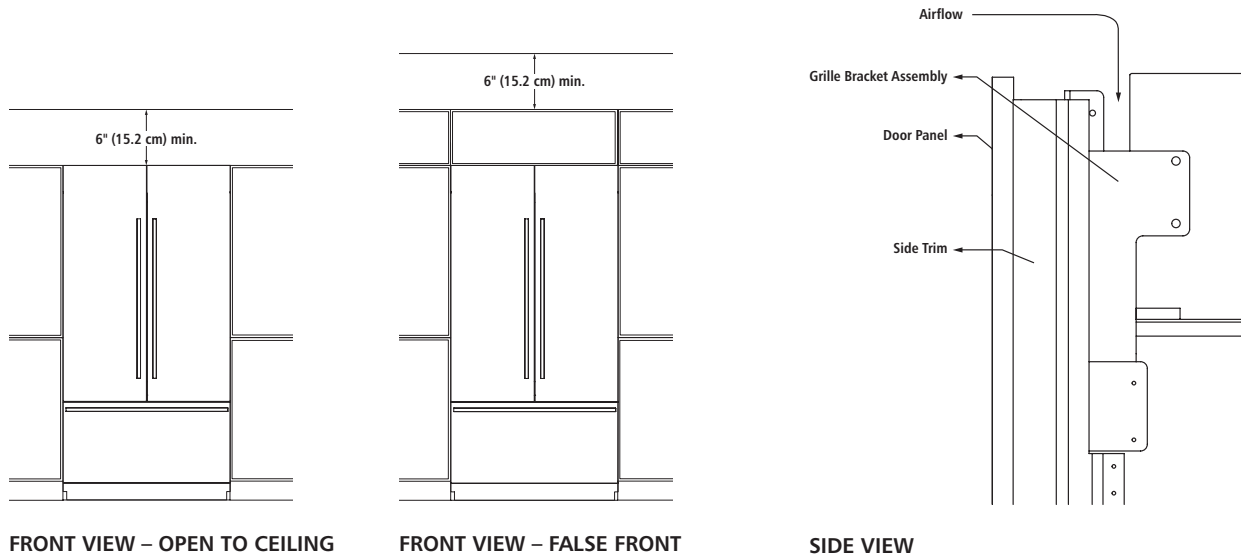
MODEL #		JF42NXFXDW	
		in	cm
REVEAL*		3/8	1.0
A	Width of panel	41 1/4	104.8
B	Width of door panels	20 9/16	52.2
C	Height of top grille panel	6 5/8	16.8
D	Height of refrigerator door panels	52 3/8	133.0
E	Height of freezer drawer panel	20 1/2	52.1
REVEAL*		1/8	0.3
A	Width of panel	41 3/4	106.0
B	Width of door panels	20 13/16	52.9
C	Height of top grille panel	6 5/8	16.8
D	Height of refrigerator door panels	52 3/8	133.0
E	Height of freezer drawer panel	20 1/2	52.1



*Gap between door panel and adjacent cabinet.
 NOTE: The required thickness for all panels is 3/4" (1.9 cm). This installation does not require filler or backer panels.

42" FULLY INTEGRATED FRENCH DOOR REFRIGERATOR
 (BASE UNIT REQUIRES SUITE-COORDINATING PANEL KIT OR CUSTOM PANELS AND HANDLES)
JF42NXFXDW – 41⁷/₈" x 83¹/₈" x 24"

INTEGRATED INSTALLATION REQUIREMENTS – ARMOIRE-STYLE PANEL KIT



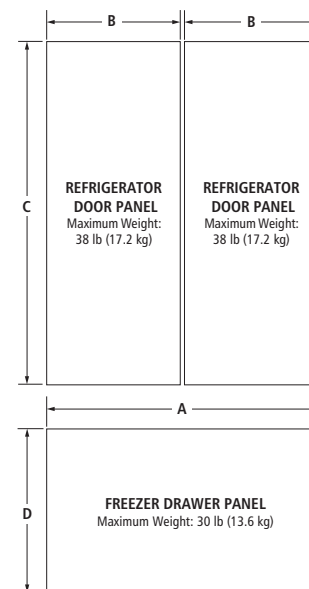
- Attach the grille bracket assembly and grille panel provided in the armoire-style panel kit.
- Requires a minimum of 6" (15.2 cm) of open space above the refrigerator, which must not be blocked in any way, including soffits.

INTEGRATED INSTALLATION – ARMOIRE-STYLE CUSTOM OVERLAY PANEL DIMENSIONS

The armoire-style door panel kit for Jenn-Air® fully integrated built-in refrigerators enables full-height custom door panels with a hidden top panel for the ultimate in integrated design.

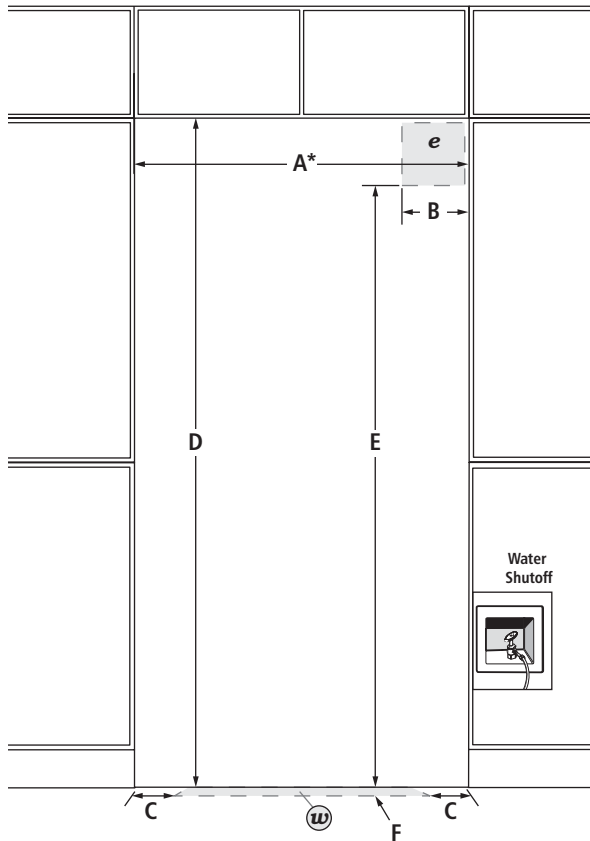
MODEL #		JF42NXFXDW	
		in	cm
REVEAL*		3/8	1.0
A	Width of panel	41 1/4	104.8
B	Width of door panels	20 9/16	52.2
C	Height of refrigerator door panels	59 1/8	150.2
D	Height of freezer drawer panel	20 1/2	52.1
REVEAL*		1/8	0.3
A	Width of panel	41 3/4	106.0
B	Width of door panels	20 13/16	52.9
C	Height of refrigerator door panels	59 1/8	150.2
D	Height of freezer drawer panel	20 1/2	52.1

*Gap between door panel and adjacent cabinet.
NOTE: The required thickness for all panels is 3/4" (1.9 cm). This installation does not require filler or backer panels.

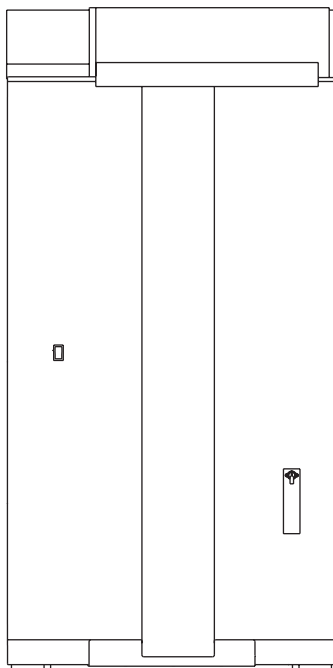


42" FULLY INTEGRATED FRENCH DOOR REFRIGERATOR
 (BASE UNIT REQUIRES SUITE-COORDINATING PANEL KIT OR CUSTOM PANELS AND HANDLES)
JF42NXFXDW – 417/8" x 831/8" x 24"

OPENING/CLEARANCE DIMENSIONS



FRONT VIEW



BACK VIEW

MODEL #		JF42NXFXDW	
		in	cm
A*	Width (min.)	42	106.7
B	Width of recommended electrical location	4	10.2
C	Distance from side of cabinet to recommended water connection location	6	15.2
D	Height (min.)	84 ¹ / ₄	214.0
E	Height to recommended electrical location	77	195.6
F	Depth of recommended water connection location (max.)	1	2.5
e	Recommended electrical connection location		
w	Recommended water connection location		

*Minimum width must extend behind the face of the cabinet for at least 2" (5.1 cm).

ELECTRICAL REQUIREMENTS

115 volt, 60 Hz, AC only, 15- or 20-amp fused, grounded circuit is required. A dedicated circuit is recommended. Use an outlet that cannot be turned off by a switch. Do not use an extension cord.

WATER PRESSURE REQUIREMENTS

A cold water supply with water pressure between 30 and 120 psi (207 and 827 kPa) is required to operate the ice maker. Call a licensed, qualified plumber with any questions about the water pressure.

Reverse Osmosis Water Supply

IMPORTANT: The pressure of the water coming out of a reverse osmosis system going to the water inlet valve of the refrigerator needs to be between 30 and 120 psi (207 and 827 kPa).

If a reverse osmosis water filtration system is connected to the cold water supply, the water pressure to the reverse osmosis system needs to be a minimum of 40 to 60 psi (276 to 414 kPa).

LOCATION REQUIREMENTS

Floor must be able to support refrigerator (more than 600 lb [272 kg]), door panels and contents of the refrigerator and must be at the same level as flooring in the room.